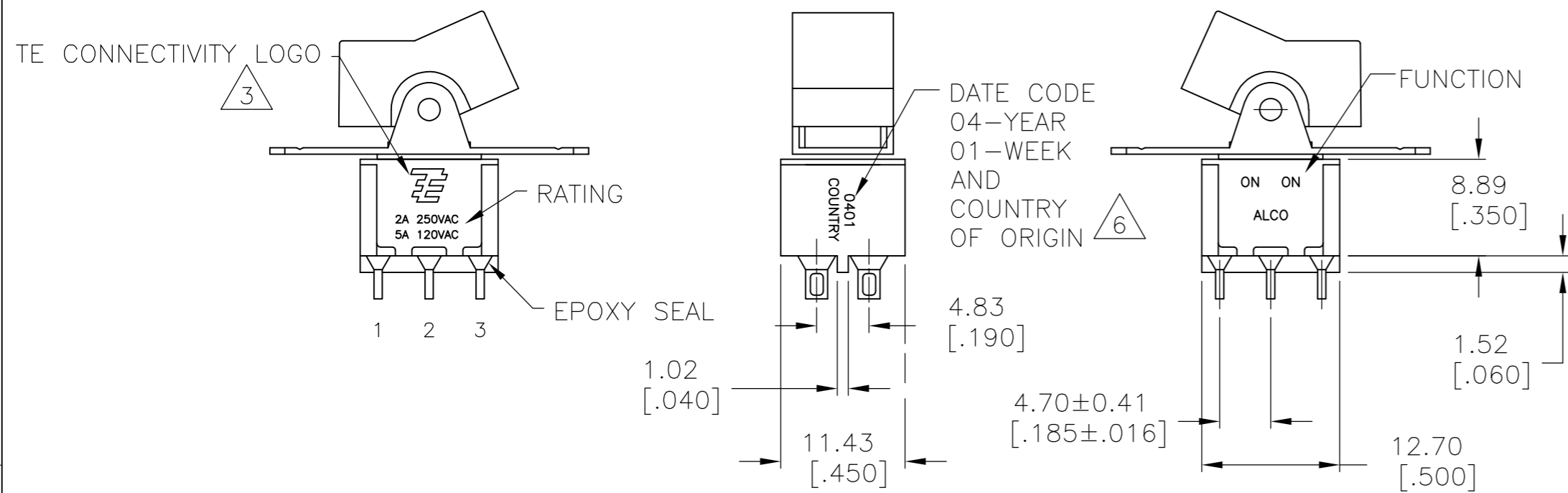


THIS DRAWING IS UNPUBLISHED. RELEASED FOR PUBLICATION  
 © COPYRIGHT - By - ALL RIGHTS RESERVED.

| LOC |     | DIST        |                           | REVISIONS |      |    |  |
|-----|-----|-------------|---------------------------|-----------|------|----|--|
| P   | LTR | DESCRIPTION | DATE                      | DWN       | APVD |    |  |
| AD  | 00  | A7          | REVISED PER ECO-14-005988 | 23APR2014 | NK   | RH |  |



- 1 ALL MATERIALS AND FINISHES SHALL COMPLY WITH EU DIRECTIVE 2002/95/EC OF 27JAN2003 (ROHS).
- 2 G CONTACT OPTION CAN BE USED FOR SIGNAL OR POWER LEVEL SWITCHING. IF SWITCH IS USED AT LEVELS EXCEEDING .4VA @ 20V AC/DC, SWITCH IS RENDERED FOR POWER SWITCHING ONLY DUE TO ARC REMOVAL OF GOLD PLATING. RATING MARKED ON THE SWITCH IS 2A 250VAC, 5A 120VAC.
- 3 TE CONNECTIVITY LOGO PER PER TEC-202-36.
- 5 SP3T FUNCTION ACHIEVED WITH FUNCTIONS 11, 13, & 15 BY CUSTOMER APPLIED JUMPER BETWEEN TERMINALS 3 & 5.
- 6 DATE CODE AND COUNTRY OF ORIGIN MAY APPEAR ON EITHER SIDE OF SWITCH.
- 7 PANEL MOUNT BRACKET SUPPLIED WITH TERMINALS W, Z AND Z3 ONLY.
- 8 ALL LOGO, RATING, DATE CODE, AND FUNCTION MARKINGS TO BE LASER MARKED.

### FUNCTION CHART

| FUNCTION   |             |             |             |
|--|-------------|-------------|-------------|
| 01   | ON          | NONE        | ON          |
| 03   | ON          | OFF         | ON          |
| 05   | (ON)        | OFF         | (ON)        |
| 07   | ON          | OFF         | (ON)        |
| 08   | ON          | NONE        | (ON)        |
| TERMINALS CONNECTED  | 2-3, 5-6    | ---         | 1-2, 4-5    |
| 11   | ON          | ON          | ON          |
| 13   | ON          | ON          | (ON)        |
| 15   | (ON)        | ON          | (ON)        |
| TERMINALS CONNECTED  | 2-3, 5-6    | 2-3, 4-5    | 1-2, 4-5    |
| SP3T SCHEMATIC (11, 13 & 15 ONLY) NOTE 5   |             |             |             |
|  | IN 2, OUT 6 | IN 2, OUT 4 | IN 2, OUT 1 |
| NONE: NO MECHANICAL POSITION<br>OFF: MECHANICAL POSITION WITH NO ELECTRICAL CONNECTION<br>(ON): MOMENTARY ACTION |             |             |             |

### SPECIFICATIONS

|                                 |  |
|---------------------------------|--|
| RATING, B CONTACTS              | .4VA MAX @20V MAX. AC OR DC                                      |
| RATING, G CONTACTS--SEE NOTE 2  | .4VA MAX @20V MAX. AC OR DC OR 5A @120 VAC OR 28 VDC (RESISTIVE) |
|                                 | 2A @250 VAC (RESISTIVE)  |
| RATING, Q CONTACTS              | 5A @120 VAC OR 28 VDC (RESISTIVE)                                |
|                                 | 2A @250 VAC (RESISTIVE)  |
| ELECTRICAL LIFE                 | 6,000 CYCLES AT RATED LOAD                                       |
| CONTACT RESISTANCE              | 10 MILLIOHMS MAX INITIAL @ 2-4VDC, 100MA                         |
| INSULATION RESISTANCE           | 1,000 MEGOHMS MIN  |
| DIELECTRIC WITHSTANDING VOLTAGE | 1,000 V RMS AT SEA LEVEL   |
| OPERATING TEMPRATURE            | -30C TO 85C  |

### PART NUMBER SEQUENCE

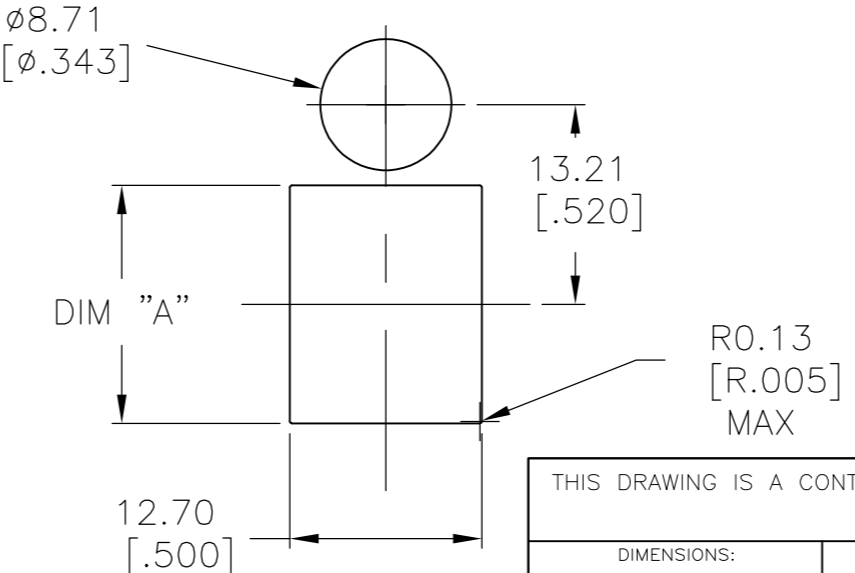
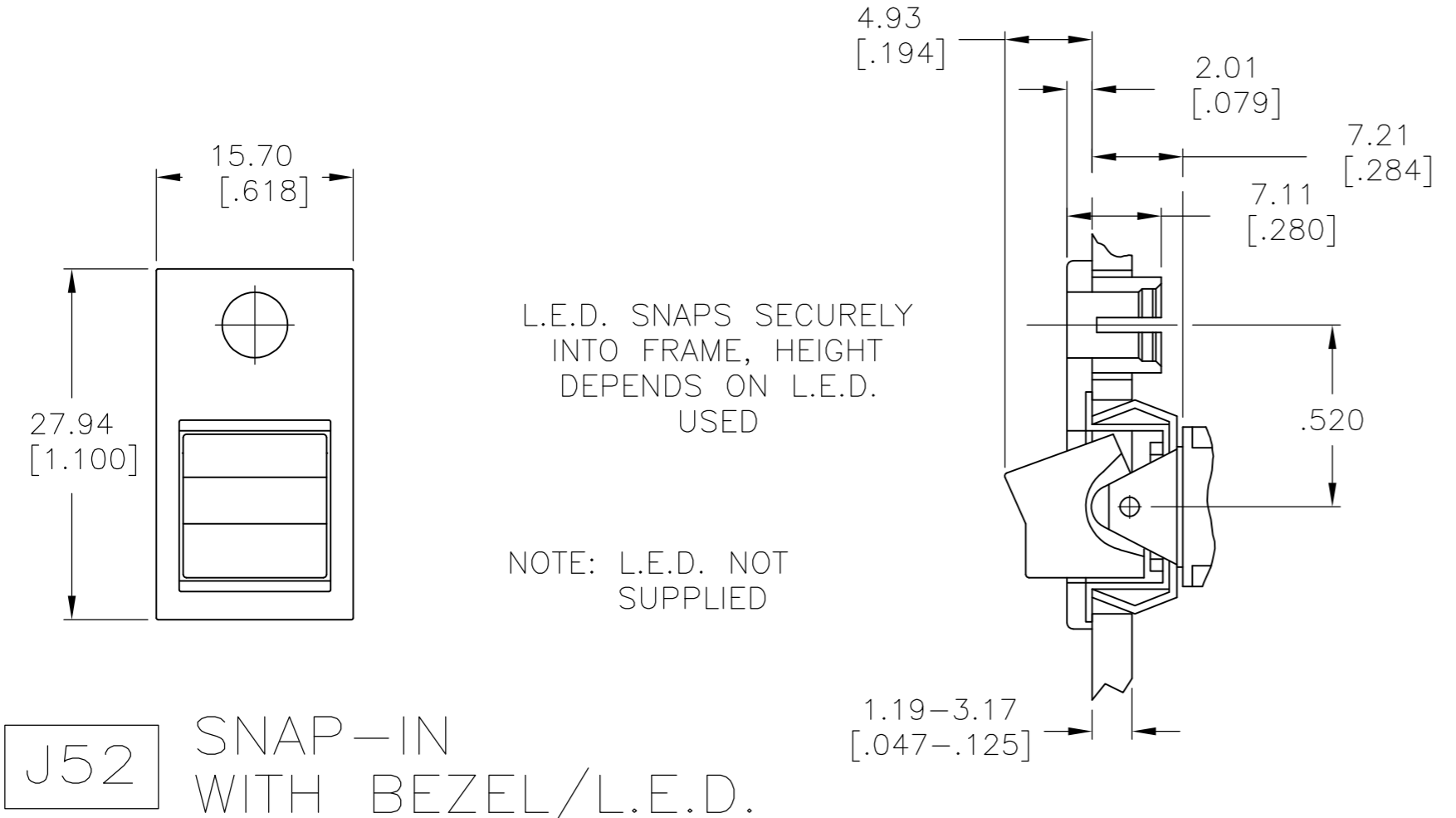
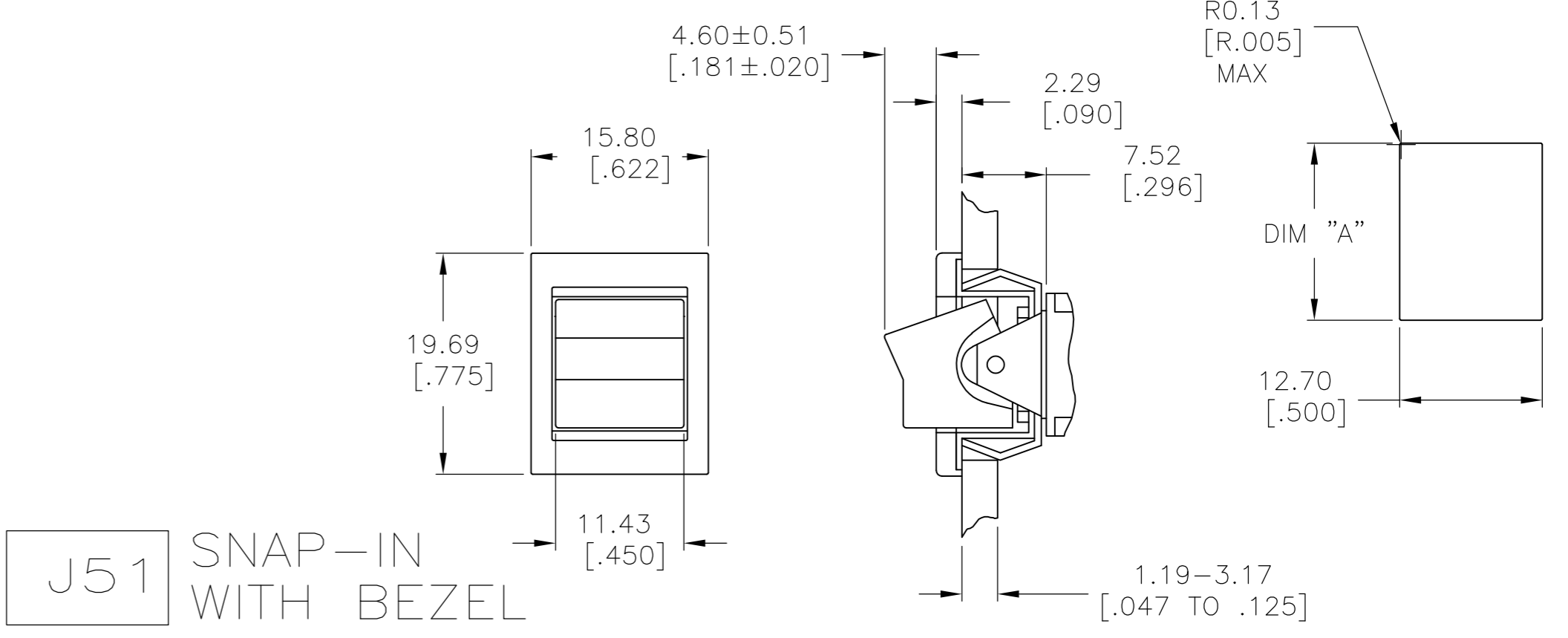
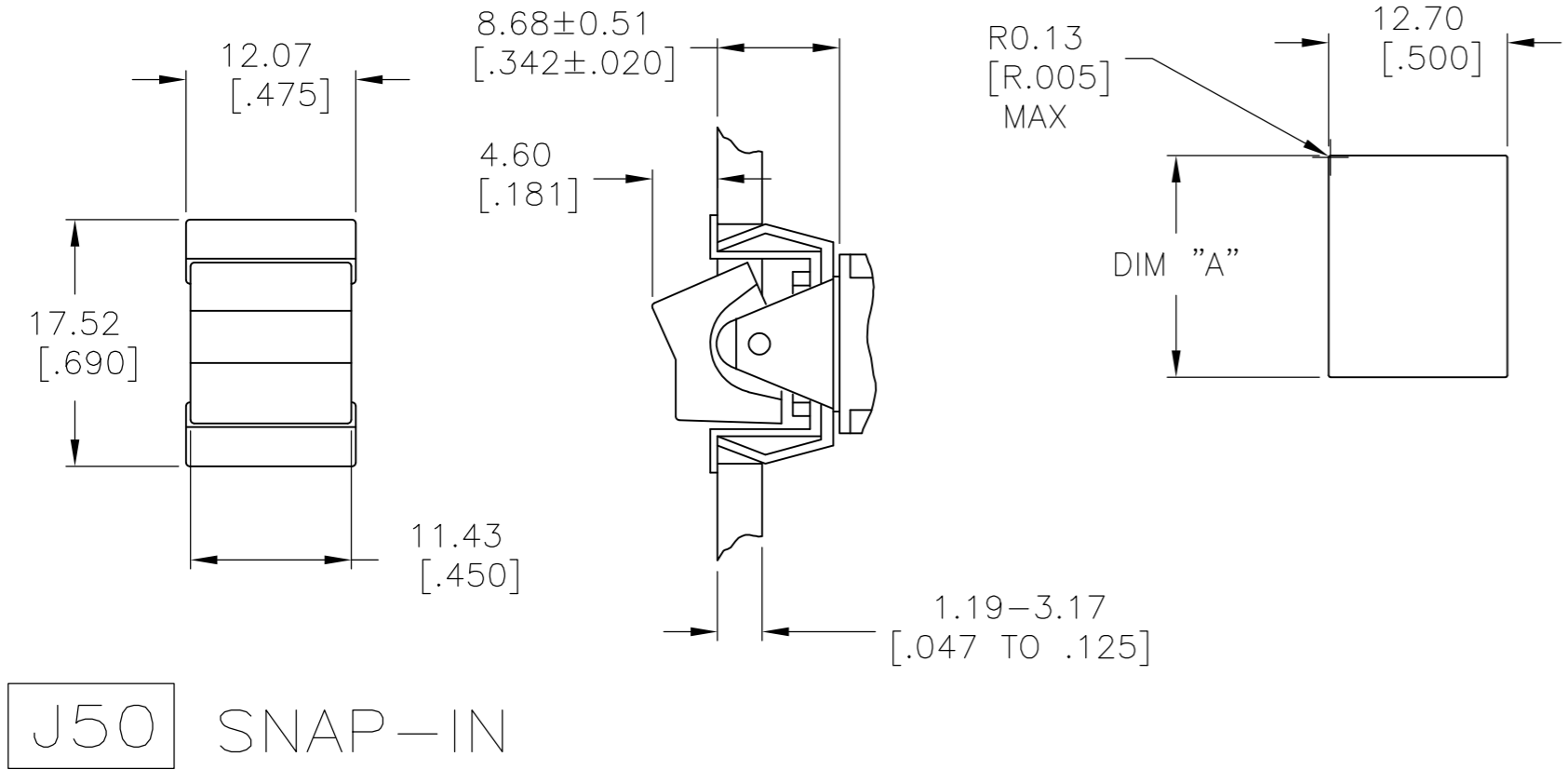
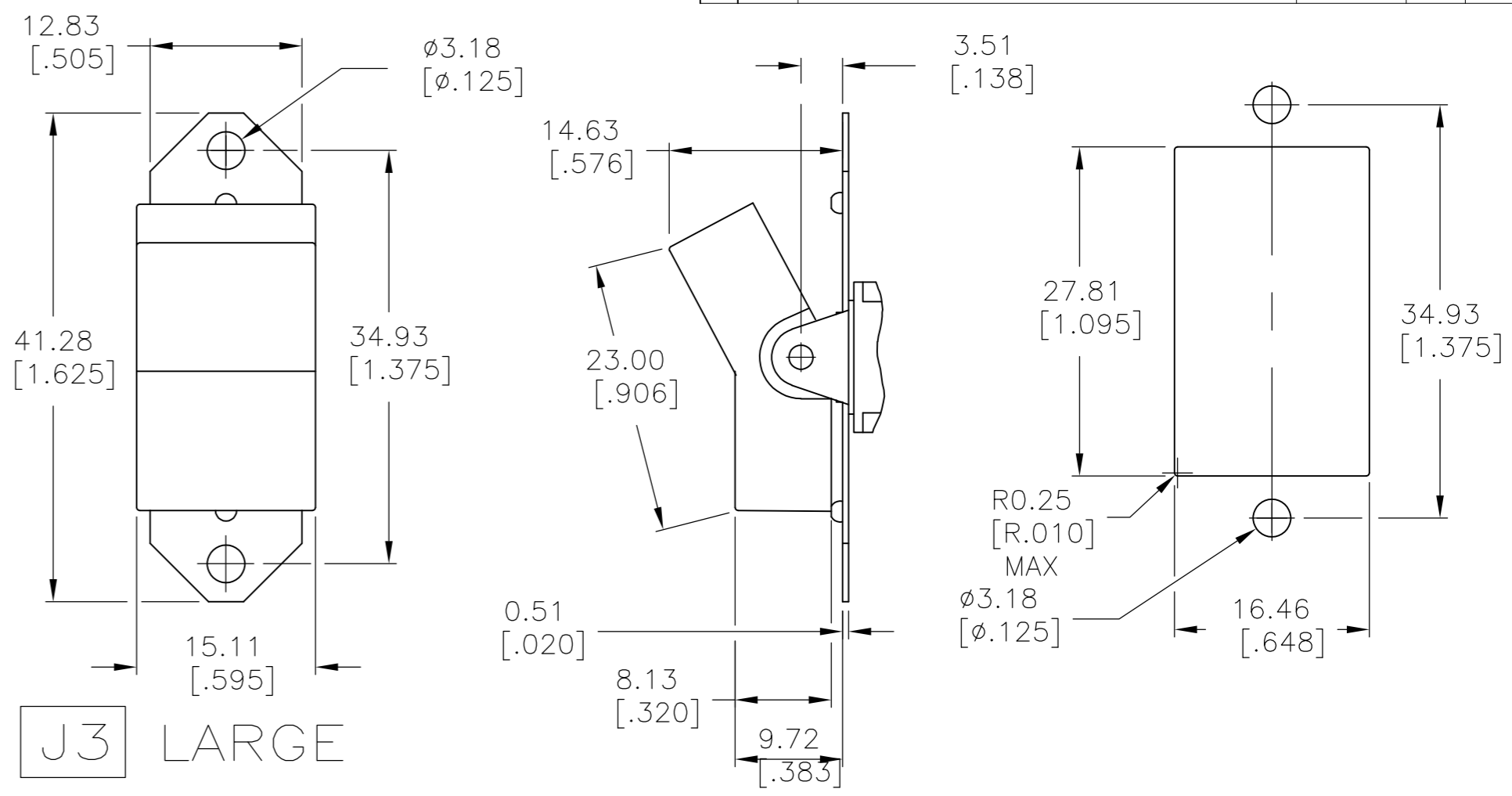
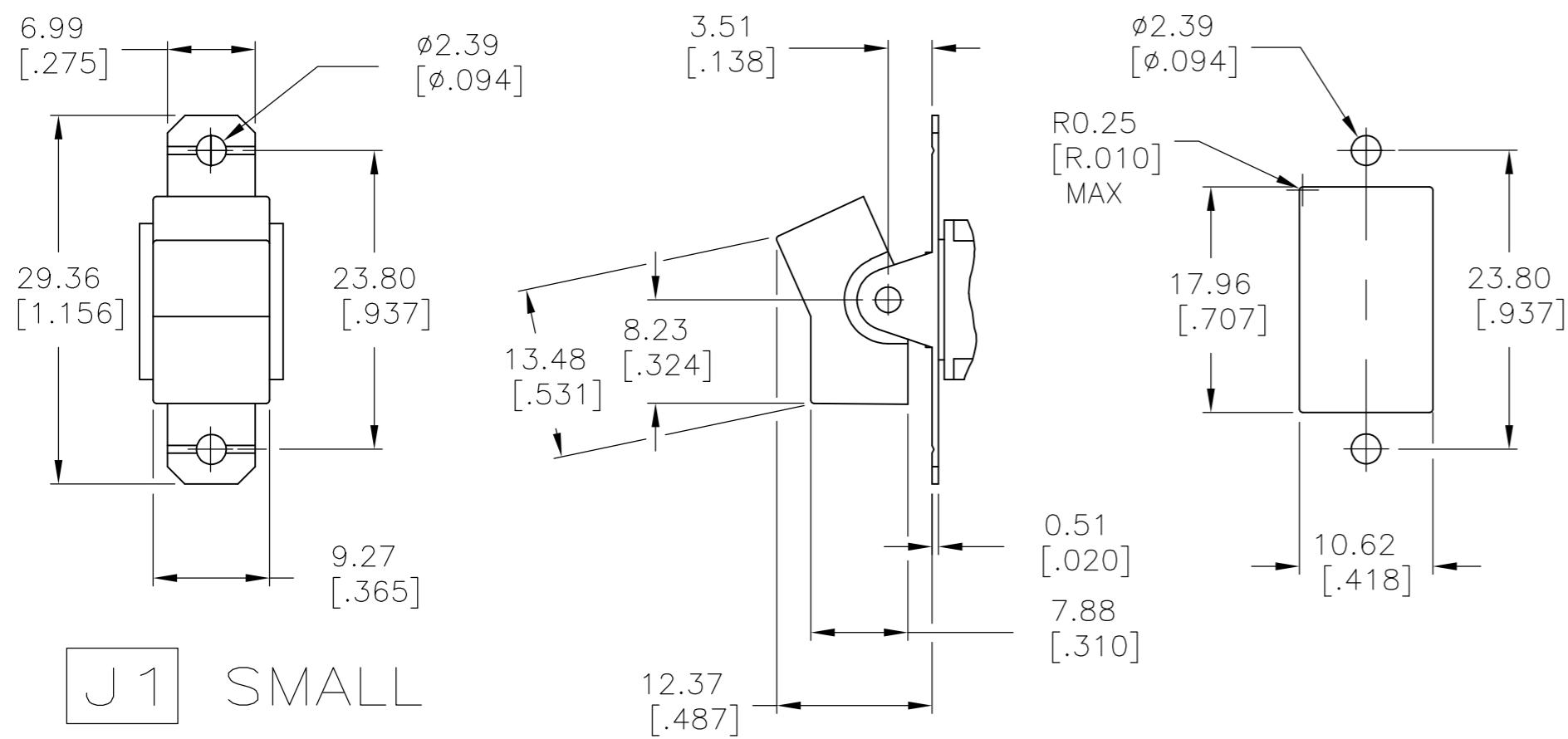
| MODEL | FUNCTION | ACTUATOR | TERMINAL | CONTACT | ACTUATOR COLOR | FRAME COLOR   | ROHS |
|-------|----------|----------|----------|---------|----------------|---------------|------|
| A2    |          |          |          |         |                |               | 04   |
|       | 01       | J1       | A        | B       | 0 BLACK (STD)  | 0 BLACK (STD) |      |
|       | 03       | J3       | AV2      | G       | 1 BROWN        | 1 BROWN       |      |
|       | 05       | J50      | C        | Q       | 2 RED          | 2 RED         |      |
|       | 07       | J51      | V3       |         | 3 ORANGE       | 3 ORANGE      |      |
|       | 08       | J52      | V4       |         | 4 YELLOW       | 4 YELLOW      |      |
|       | 11       | J2       | V7       |         | 5 GREEN        | 5 GREEN       |      |
|       | 13       | J4       | W        |         | 6 BLUE         | 6 BLUE        |      |
|       | 15       | J60      | W4       |         | 8 GRAY         | 8 GRAY        |      |
|       |          | J61      | Z        |         | 9 WHITE        | 9 WHITE       |      |
|       |          | J62      | Z3       |         |                |               |      |

THIS DRAWING IS A CONTROLLED DOCUMENT.

|                         |  |                      |               |            |   |           |
|-------------------------|--|----------------------|---------------|------------|---|-----------|
| DIMENSIONS: mm [INCHES] | TOLERANCES UNLESS OTHERWISE SPECIFIED: | DWN M.BINNER 06JAN05 |               | NAME       | GEMINI A SERIES ROCKER SWITCH DOUBLE POLE |           |
|                         | 0 PLC ± -                              | CHK M.ZITTO 06JAN05  |               | SIZE       |   | A2        |
|                         | 1 PLC ± -                              | APVD M.ZITTO 06JAN05 |               | CAGE CODE  |   | 00779     |
|                         | 2 PLC ± -                              | PRODUCT SPEC         |               | DRAWING NO |   | C=1571987 |
|                         | 3 PLC ± .010                           | APPLICATION SPEC     | RESTRICTED TO | -          |   |           |
| 4 PLC ± -               | ANGLES ± 4°                            | WEIGHT               | -             | SCALE      | 2:1                                       |           |
| MATERIAL                | FINISH                                 | CUSTOMER DRAWING     |               | SHEET      | 1 of 5                                    |           |
|                         |  |                      |               | REV        | A7  |           |

THIS DRAWING IS UNPUBLISHED. RELEASED FOR PUBLICATION  
 © COPYRIGHT - By - ALL RIGHTS RESERVED.

| LOC |     | DIST        |      | REVISIONS |      |   |   |
|-----|-----|-------------|------|-----------|------|---|---|
| P   | LTR | DESCRIPTION | DATE | DWN       | APVD |   |   |
| -   | -   | SEE SHEET 1 | -    | -         | -    | - | - |

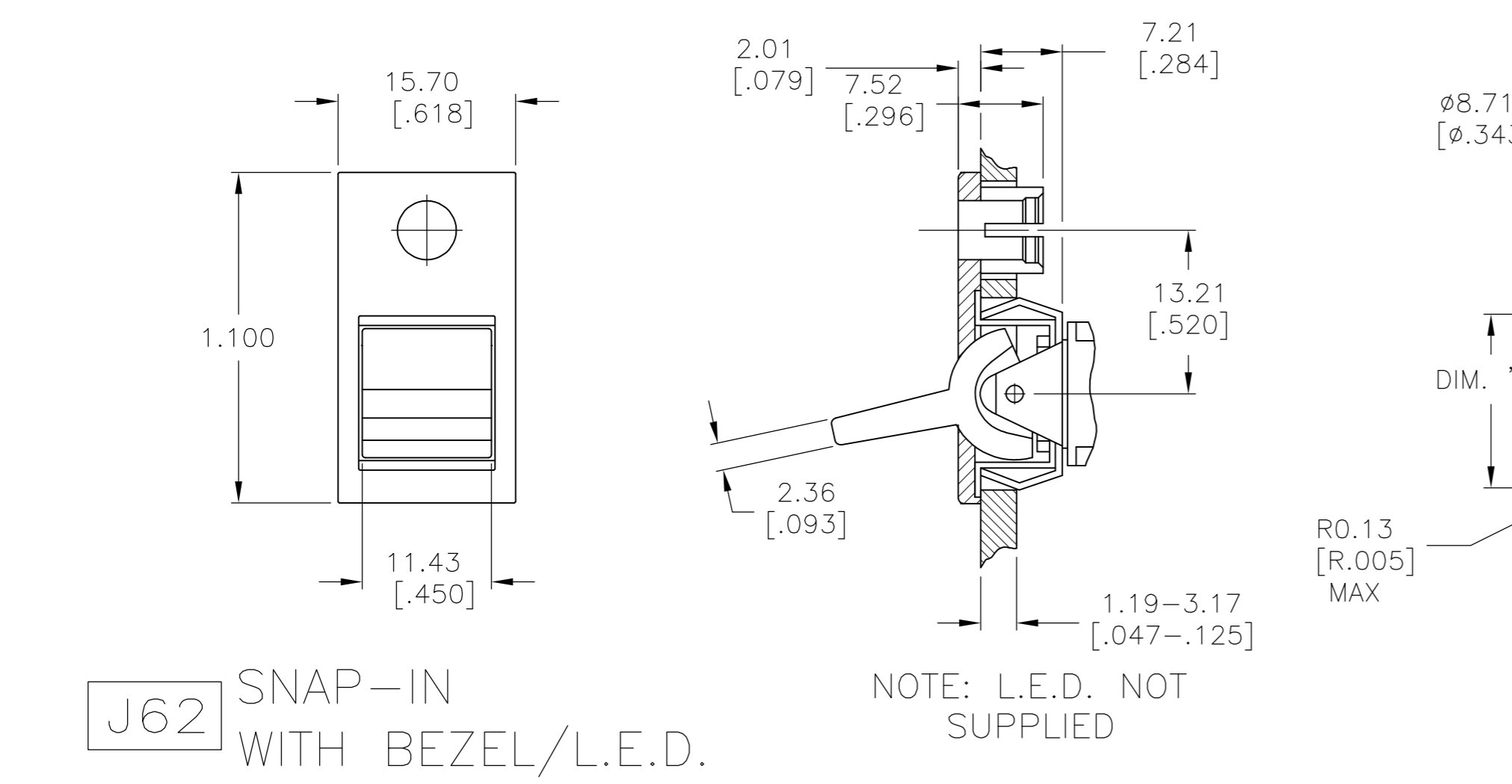
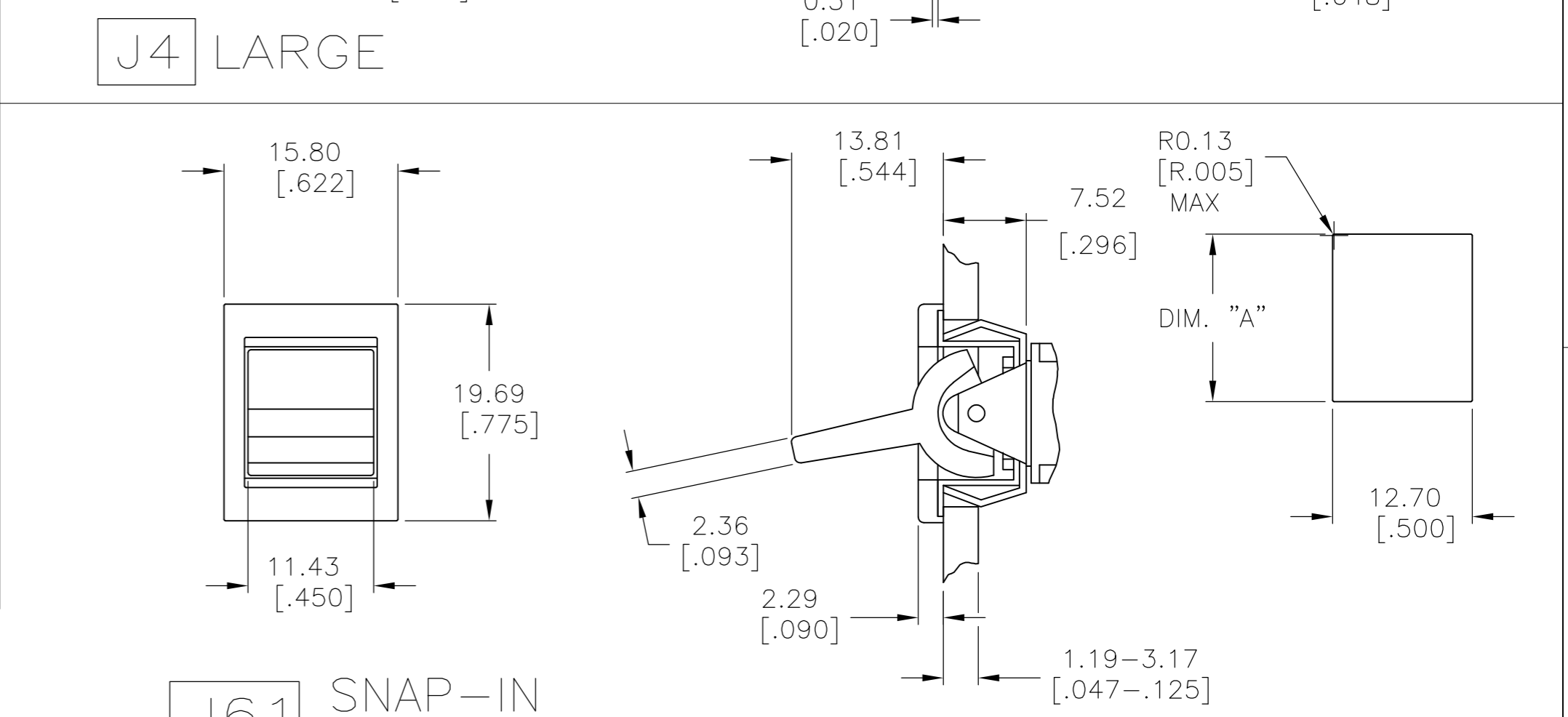
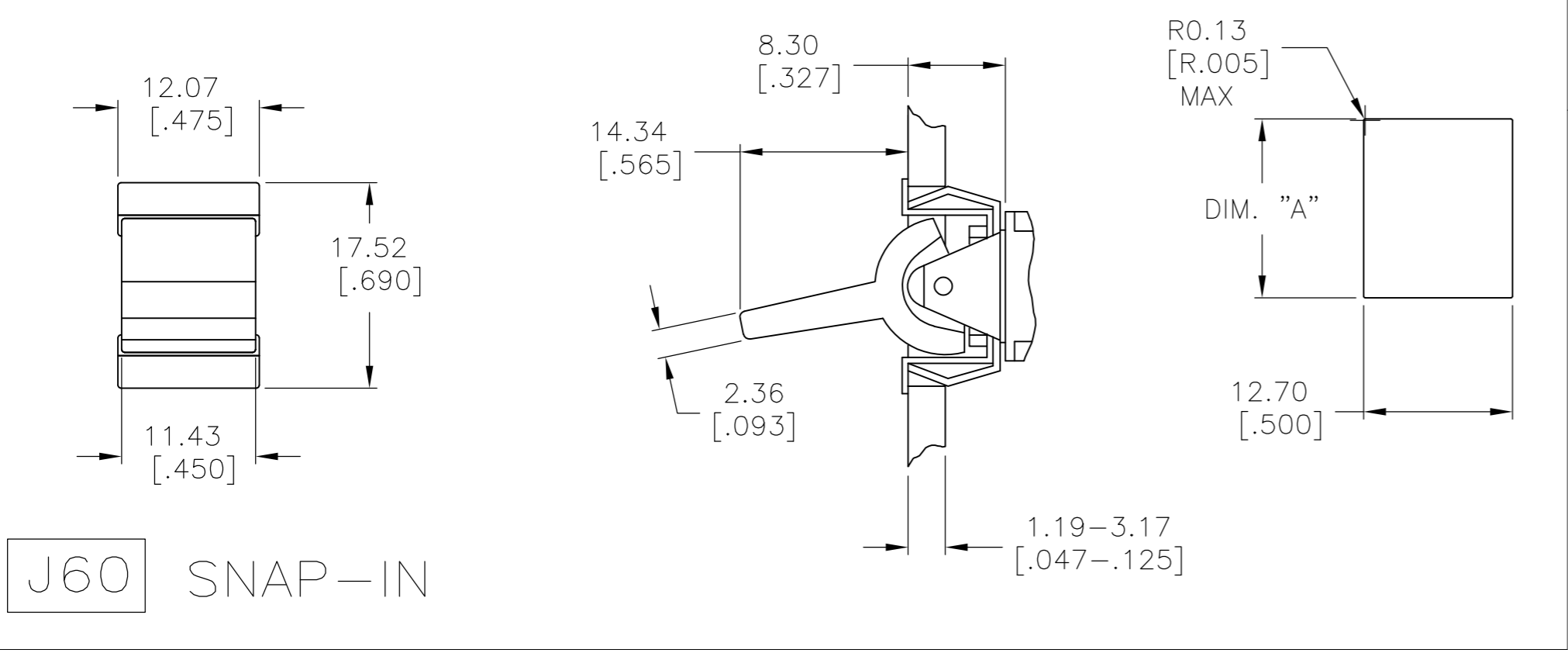
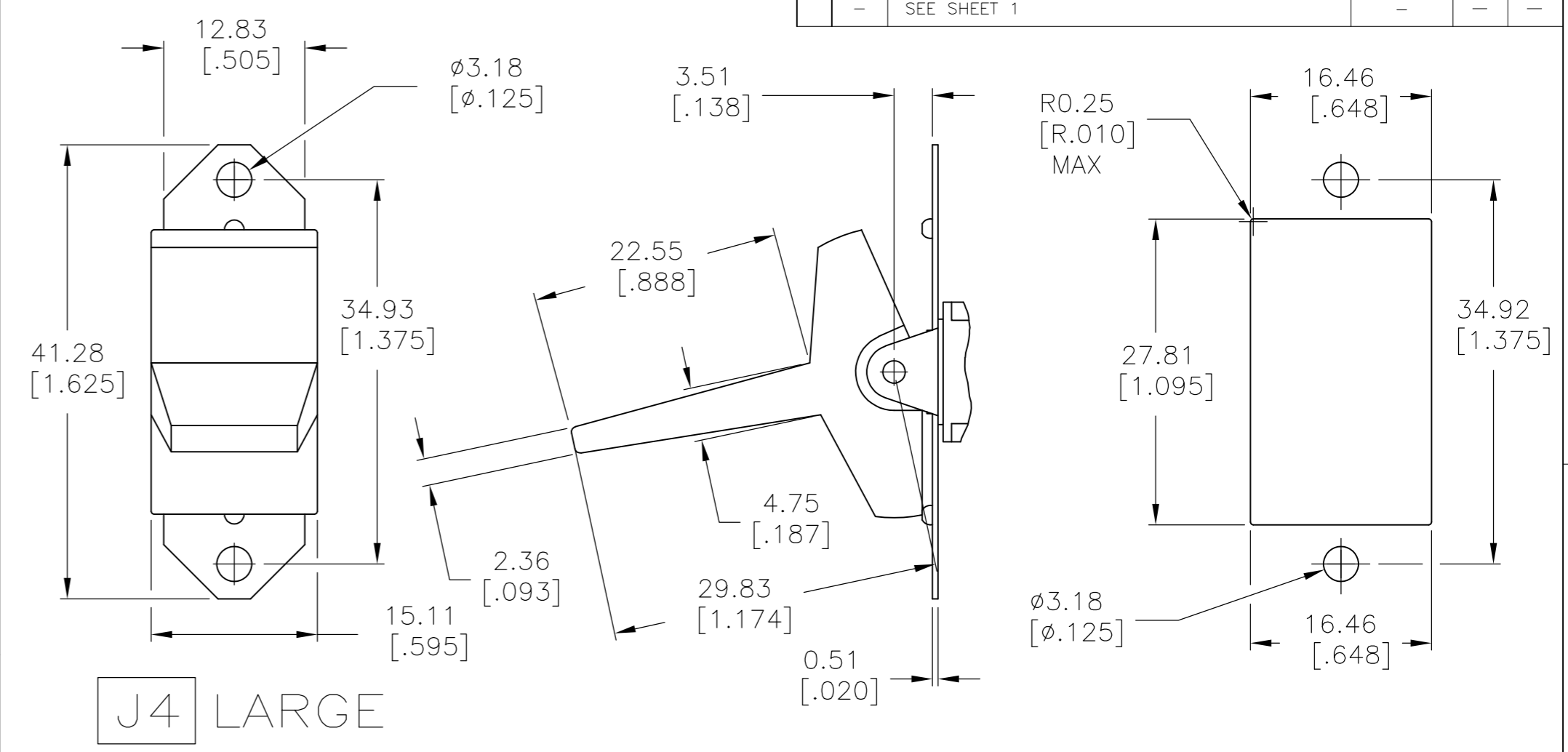
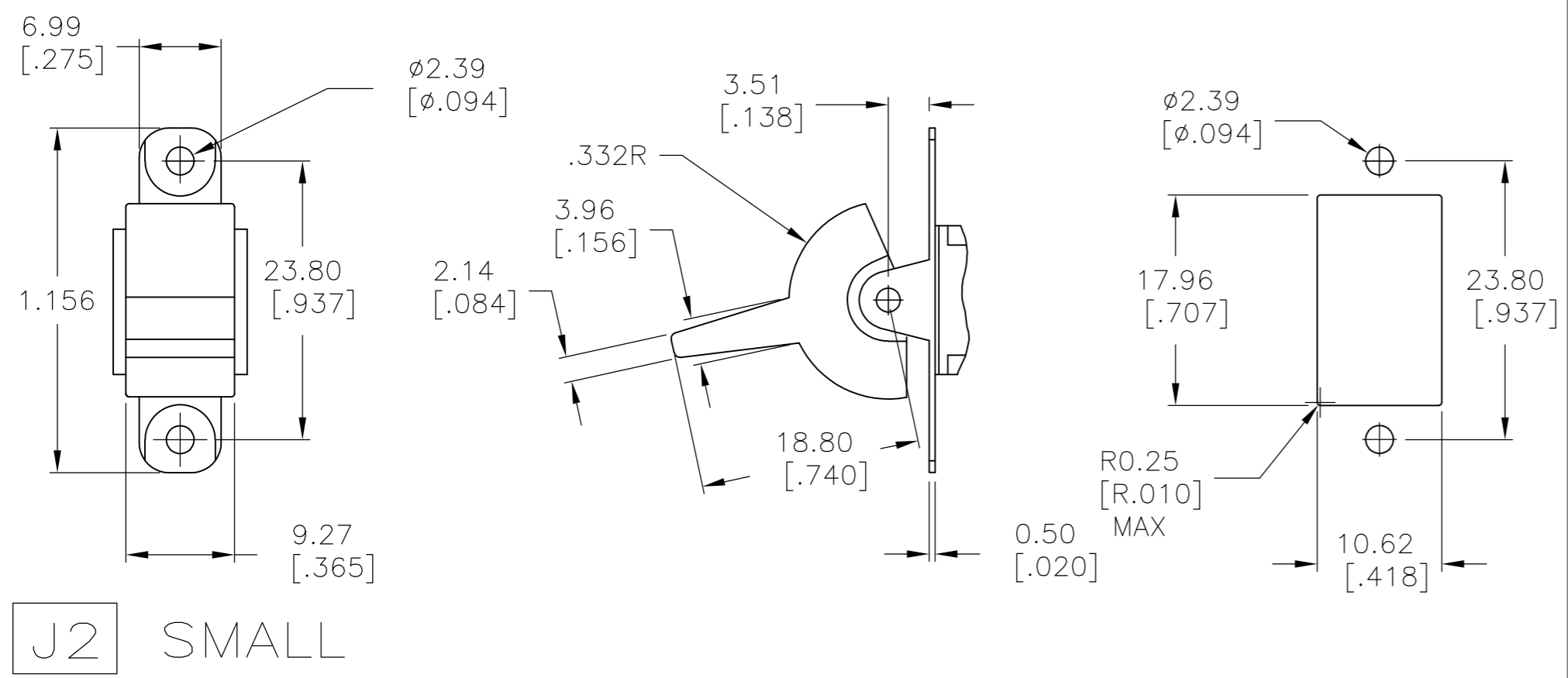


|                       |                         |
|-----------------------|-------------------------|
| 1.52-3.17 [.060-.125] | 15.75-15.87 [.620-.625] |
| 1.19-1.50 [.047-.059] | 15.72 [.619]            |
| PANEL THICKNESS       | DIM "A"                 |

|   |        |                  |   |            |                     |
|---|--------|------------------|---|------------|---------------------|
| THIS DRAWING IS A CONTROLLED DOCUMENT.  |        | DWN              | M.BINNER                                  | 06JAN05    | <br>TE Connectivity |
| DIMENSIONS: mm [INCHES]   |        | CHK              | M.ZITTO                                   | 06JAN05    |                     |
| TOLERANCES UNLESS OTHERWISE SPECIFIED:  |        | APVD             | M.ZITTO                                   | 06JAN05    |                     |
| 0 PLC ± -<br>1 PLC ± -<br>2 PLC ± -<br>3 PLC ± .010<br>4 PLC ± -<br>ANGLES ± 4° |        | PRODUCT SPEC     | NAME                                      |            |                     |
| MATERIAL  | FINISH | APPLICATION SPEC | GEMINI A SERIES ROCKER SWITCH DOUBLE POLE |            | RESTRICTED TO       |
| CUSTOMER DRAWING  |        | WEIGHT           | -   | SIZE       | A2                  |
| SCALE   |        | CAGE CODE        |   | DRAWING NO | 00779               |
| SHEET   |        | C=1571987        |   | REV        | A7                  |

THIS DRAWING IS UNPUBLISHED. RELEASED FOR PUBLICATION  
 © COPYRIGHT - By - ALL RIGHTS RESERVED.

| LOC |     | DIST        |      | REVISIONS |      |  |  |
|-----|-----|-------------|------|-----------|------|--|--|
| P   | LTR | DESCRIPTION | DATE | DWN       | APVD |  |  |
| AD  | 00  | SEE SHEET 1 |      |           |      |  |  |

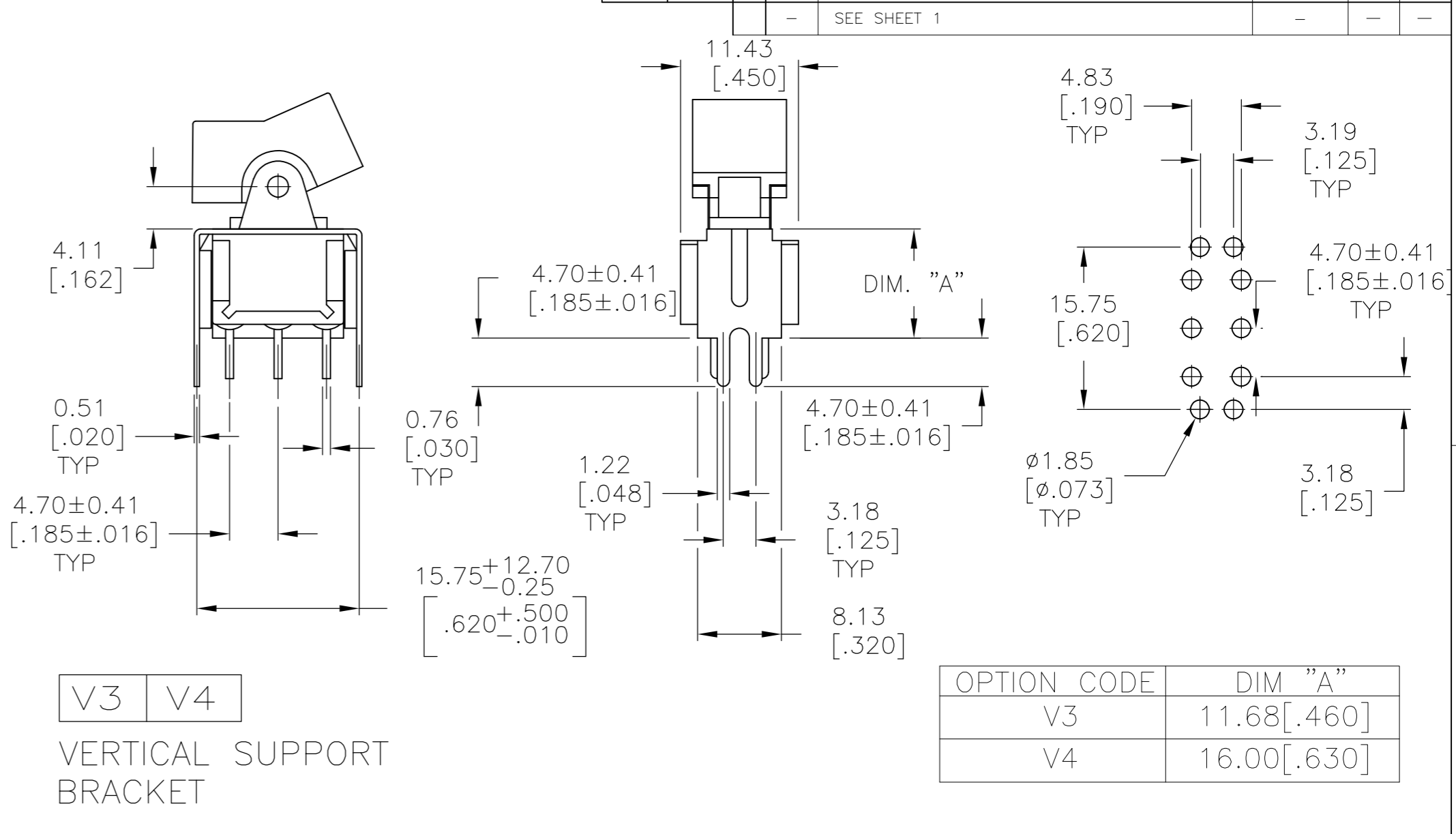
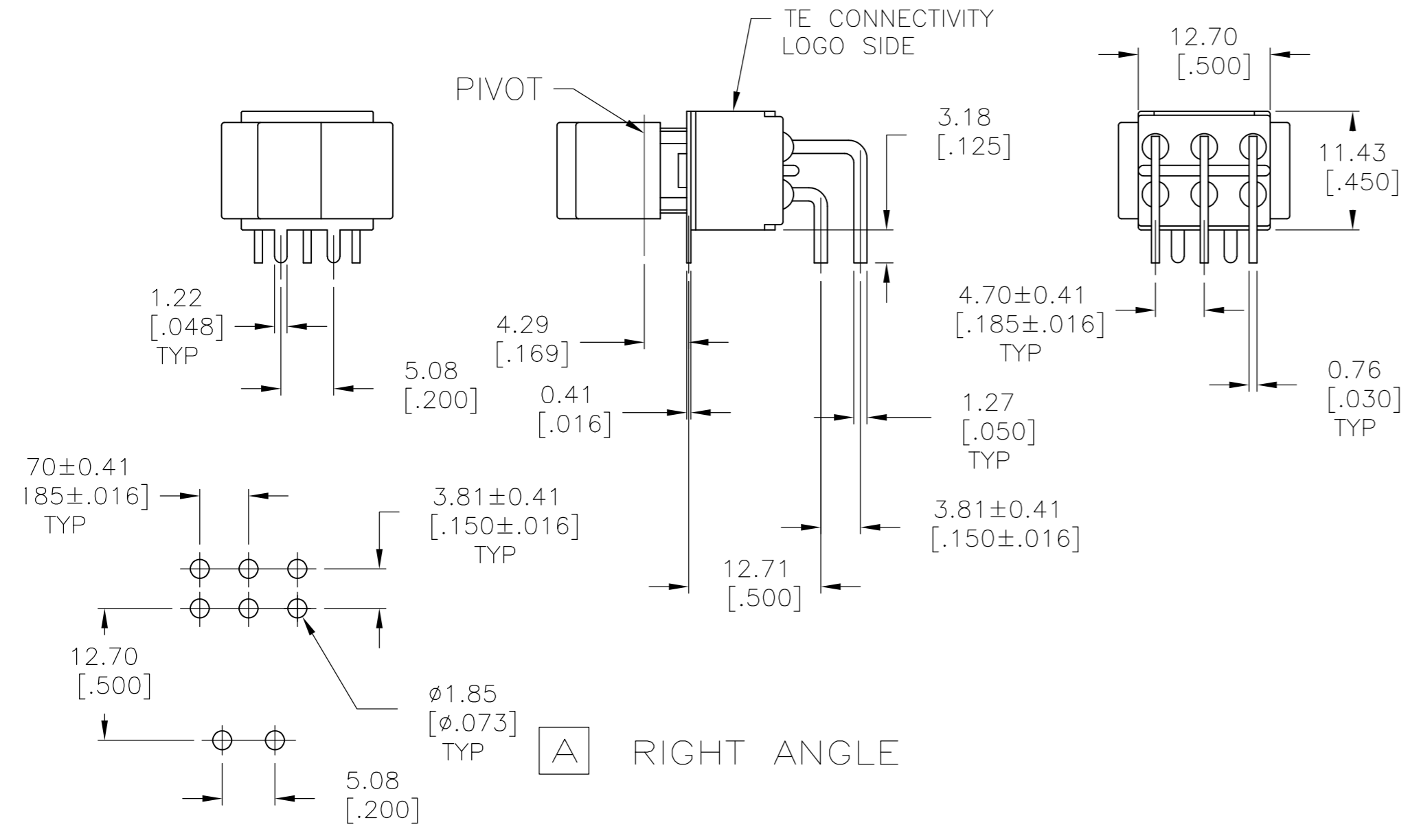


|                       |                         |
|-----------------------|-------------------------|
| 1.52-3.17 [.060-.125] | 15.75-15.87 [.620-.625] |
| 1.19-1.50 [.047-.059] | 15.72 [.619]            |
| PANEL THICKNESS       |                         |
| DIM "A"               |                         |

|  |        |                  |          |                  |   |                 |  |
|--|--------|------------------|----------|------------------|---|-----------------|--|
| THIS DRAWING IS A CONTROLLED DOCUMENT. |        | DWN              | M.BINNER | 06JAN05          |   | TE Connectivity |  |
| DIMENSIONS: mm [INCHES]                |        | CHK              | M.ZITTO  | 06JAN05          |   | NAME            |  |
| TOLERANCES UNLESS OTHERWISE SPECIFIED: |        | APVD             | M.ZITTO  | 06JAN05          | GEMINI A SERIES ROCKER SWITCH DOUBLE POLE |                 |  |
| 0 PLC                                  | ± -    | PRODUCT SPEC     |          | SIZE             |   |                 |  |
| 1 PLC                                  | ± -    | APPLICATION SPEC |          | CAGE CODE        |   | DRAWING NO      |  |
| 2 PLC                                  | ± -    | MATERIAL         |          | 00779            |   | 1571987         |  |
| 3 PLC                                  | ± .010 | FINISH           |          | SCALE            |   | SHEET           |  |
| 4 PLC                                  | ± -    | MATERIAL         |          | 2:1              |   | 3 OF 5          |  |
| ANGLES                                 | ± 4°   | MATERIAL         |          | CUSTOMER DRAWING |   | REV             |  |
|  |        | MATERIAL         |          |                  |   | A7              |  |

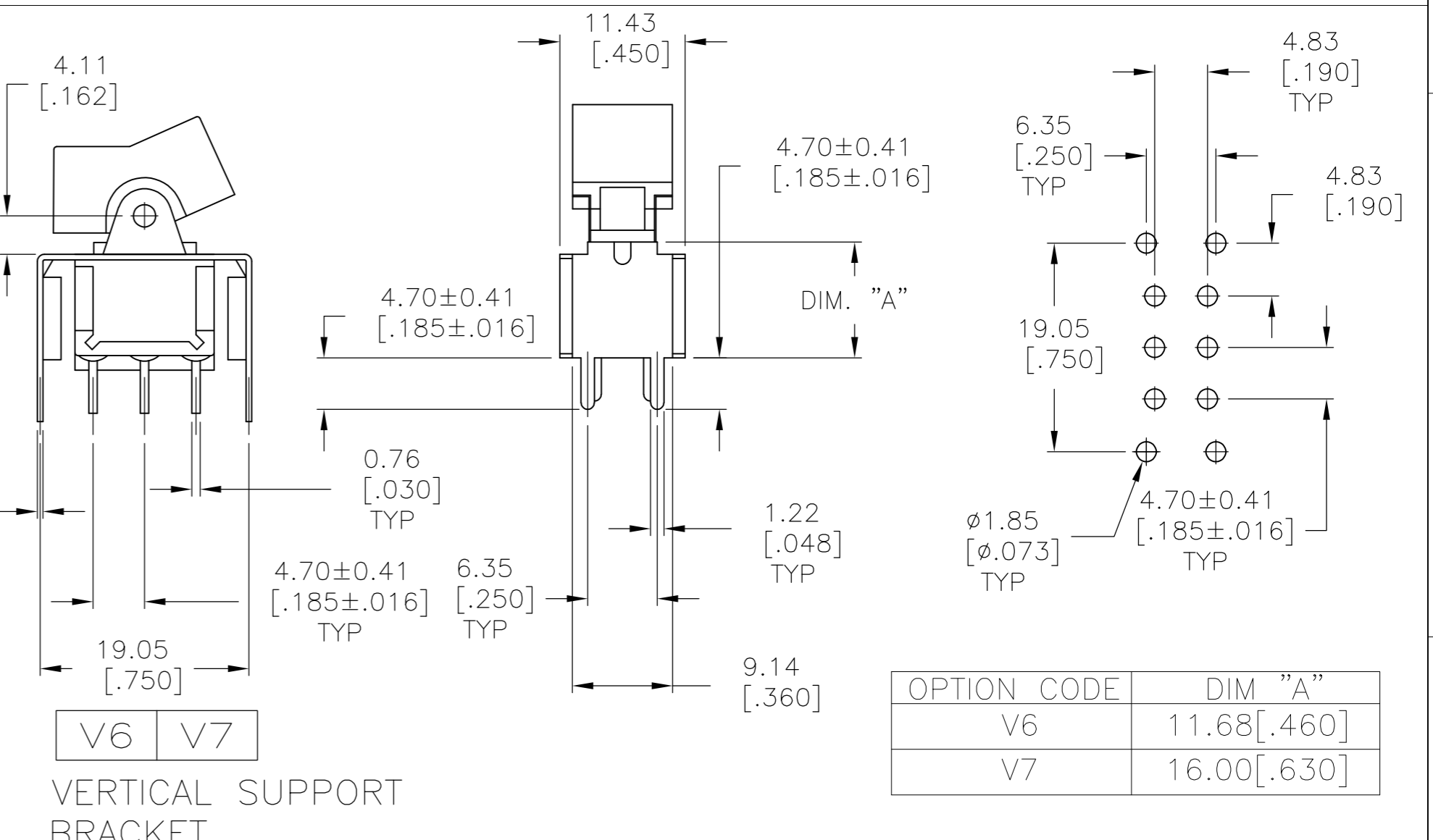
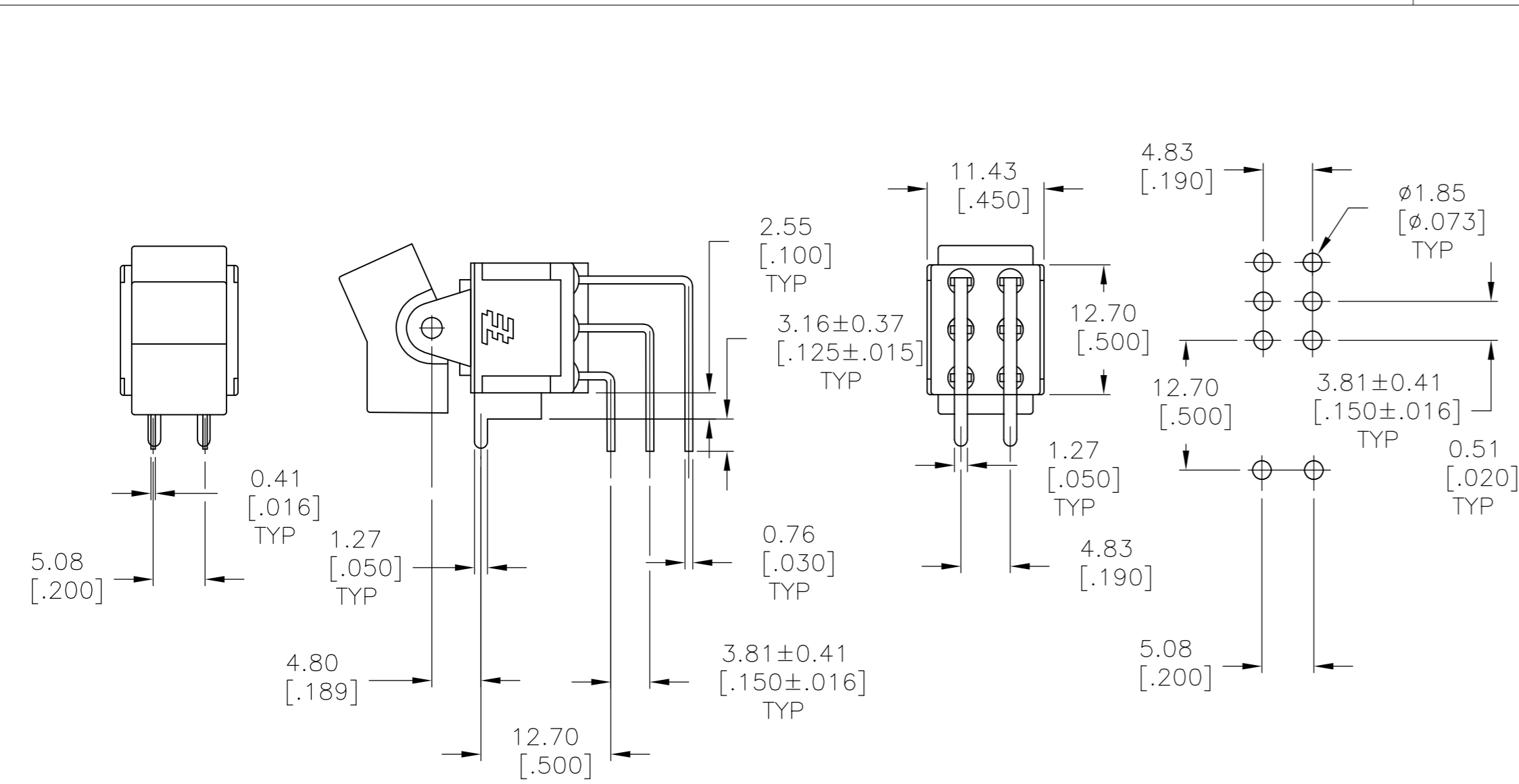
THIS DRAWING IS UNPUBLISHED. RELEASED FOR PUBLICATION  
 © COPYRIGHT - By - ALL RIGHTS RESERVED.

| LOC | DIST | REVISIONS   |      |     |      |
|-----|------|-------------|------|-----|------|
| P   | LTR  | DESCRIPTION | DATE | DWN | APVD |
| AD  | 00   | SEE SHEET 1 | -    | -   | -    |



| OPTION CODE | DIM "A"     |
|-------------|-------------|
| V3          | 11.68[.460] |
| V4          | 16.00[.630] |

| OPTION CODE | DIM "A"     |
|-------------|-------------|
| V6          | 11.68[.460] |
| V7          | 16.00[.630] |



AV2 VERTICAL RIGHT ANGLE

THIS DRAWING IS A CONTROLLED DOCUMENT.

|                  |          |         |
|------------------|----------|---------|
| DWN              | M.BINNER | 06JAN05 |
| CHK              | M.ZITTO  | 06JAN05 |
| APVD             | M.ZITTO  | 06JAN05 |
| PRODUCT SPEC     |          |         |
| APPLICATION SPEC |          |         |
| WEIGHT           | -        |         |

**STE** TE Connectivity

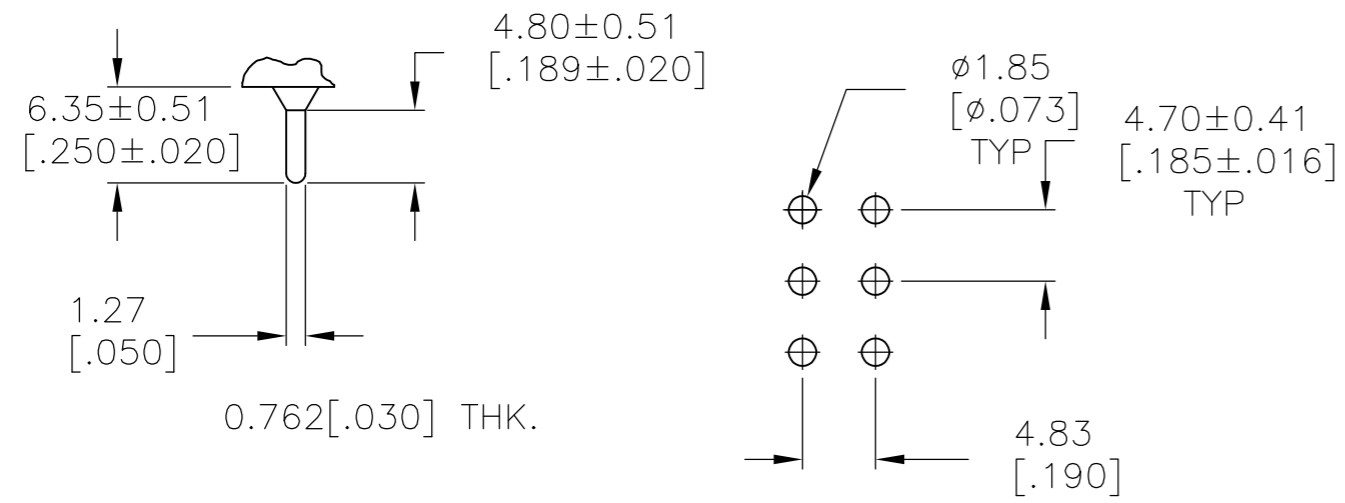
GEMINI A SERIES ROCKER SWITCH  
 DOUBLE POLE

|       |     |           |        |            |         |               |   |
|-------|-----|-----------|--------|------------|---------|---------------|---|
| SIZE  | A2  | CAGE CODE | 00779  | DRAWING NO | 1571987 | RESTRICTED TO | - |
| SCALE | 2:1 | SHEET     | 4 OF 5 | REV        | A7      |               |   |

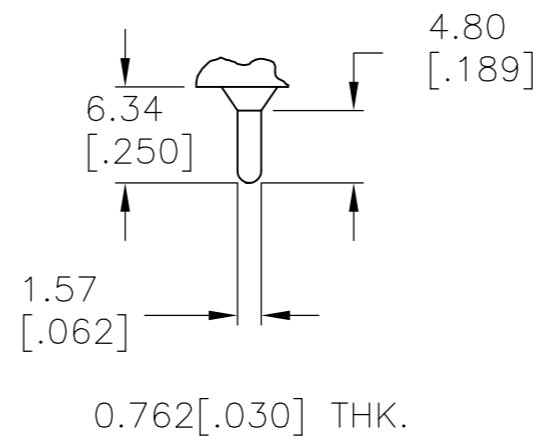
CUSTOMER DRAWING

THIS DRAWING IS UNPUBLISHED. RELEASED FOR PUBLICATION  
 © COPYRIGHT - By - ALL RIGHTS RESERVED.

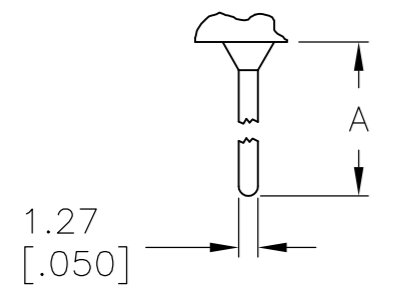
| LOC |    | DIST |     | REVISIONS   |      |     |      |
|-----|----|------|-----|-------------|------|-----|------|
| AD  | 00 | P    | LTR | DESCRIPTION | DATE | DWN | APVD |
|     |    | -    |     | SEE SHEET 1 | -    | -   | -    |



**C** PRINTED CIRCUIT



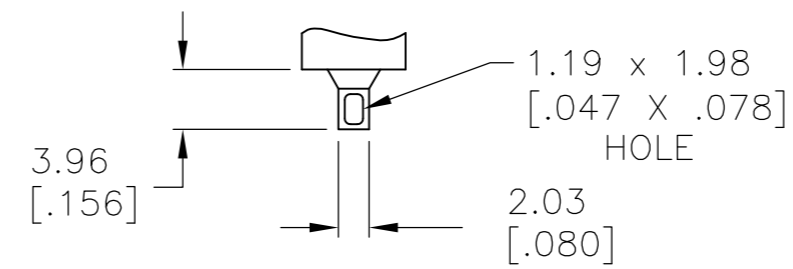
**Z3** QUICK CONNECT



| OPTION | DIM A        |
|--------|--------------|
| W      | 18.69[.736]  |
| W4     | 26.97[1.062] |

0.762[.030] THK.

**W** **W4** WIRE WRAP



0.762[.030] THK.

**Z** WIRE LUG

MATERIALS CHART

| COMPONENT NAME           | BASE MATERIAL             | FINISH           |
|--------------------------|---------------------------|------------------|
| CASE                     | DAP, RED, UL94 V-0        |                  |
| FRAME                    | STAINLESS STEEL           |                  |
| B TERMINALS & CONTACTS   | COPPER                    | GOLD OVER NICKEL |
| G TERMINALS & CONTACTS   | COPPER                    | GOLD OVER SILVER |
| Q TERMINALS & CONTACTS   | COPPER                    | SILVER           |
| ACTUATOR                 | PHENOLIC, BLACK, UL94 V-1 |                  |
| ROCKER CAP               | NYLON, BLACK, UL94 V-1    |                  |
| BUSHING & ACTUATOR LEVER | ZINC ALLOY                | NICKEL           |
| SPRING                   | MUSIC WIRE                |                  |
| SUPPORT BRACKET          | BRASS                     | TIN              |
| PIVOT PIN                | STEEL                     | NICKEL           |
| TERMINAL SEAL            | EPOXY, UL94 V-1           |                  |

|                 |             |
|-----------------|-------------|
| A213J61ZQ0004   | 4-1571987-4 |
| A211J51ZQ0004   | 4-1571987-3 |
| A208J61ZQ0004   | 4-1571987-2 |
| A208J51ZQ0004   | 4-1571987-1 |
| A208J1V3Q0004   | 4-1571987-0 |
| NOT ASSIGNED    | 3-1571987-9 |
| A207J61ZQ0004   | 3-1571987-8 |
| A207J51ZQ0004   | 3-1571987-7 |
| A207J3ZQ0004    | 3-1571987-6 |
| A207J1ZQ0004    | 3-1571987-5 |
| A205J61ZQ0004   | 3-1571987-4 |
| A205J51ZQ0004   | 3-1571987-3 |
| A205J2ZQ0004    | 3-1571987-2 |
| A205J2CQ0004    | 3-1571987-1 |
| A205J1ZQ0004    | 3-1571987-0 |
| A205J1AV2Q0004  | 2-1571987-9 |
| NOT ASSIGNED    | 2-1571987-8 |
| A203J61ZQ0004   | 2-1571987-7 |
| A203J51ZQ0004   | 2-1571987-6 |
| NOT ASSIGNED    | 2-1571987-5 |
| A203J1ZQ0004    | 2-1571987-4 |
| NOT ASSIGNED    | 2-1571987-3 |
| A203J1CQ204     | 2-1571987-2 |
| A203J1AV2Q0004  | 2-1571987-1 |
| A203J1AQ0004    | 2-1571987-0 |
| A201J61ZQ0004   | 1-1571987-9 |
| A201J61Z3Q0004  | 1-1571987-8 |
| A201J51ZQ9904   | 1-1571987-7 |
| NOT ASSIGNED    | 1-1571987-6 |
| A201J51ZQ0004   | 1-1571987-5 |
| A201J50ZQ0004   | 1-1571987-4 |
| A201J50AV2Q804  | 1-1571987-3 |
| A201J50AV2Q0004 | 1-1571987-2 |
| A201J3ZQ0004    | 1-1571987-1 |
| A201J3ZB0004    | 1-1571987-0 |
| A201J2ZQ0004    | 1571987-9   |
| A201J2CQ0004    | 1571987-8   |
| A201J1ZQ0004    | 1571987-7   |
| A201J1V3Q0004   | 1571987-6   |
| A201J1CQ0004    | 1571987-5   |
| A201J1AV2Q0004  | 1571987-4   |
| A201J1AQ204     | 1571987-3   |
| A201J1AQ0004    | 1571987-2   |
| A211J61Z3Q0004  | 1571987-1   |
| ALCO P/N        | P/N         |

THIS DRAWING IS A CONTROLLED DOCUMENT.

|      |          |         |
|------|----------|---------|
| DWN  | M.BINNER | 06JAN05 |
| CHK  | M.ZITTO  | 06JAN05 |
| APVD | M.ZITTO  | 06JAN05 |

TE Connectivity

GEMINI A SERIES ROCKER SWITCH  
DOUBLE POLE

|       |     |           |        |            |         |               |   |
|-------|-----|-----------|--------|------------|---------|---------------|---|
| SIZE  | A2  | CAGE CODE | 00779  | DRAWING NO | 1571987 | RESTRICTED TO | - |
| SCALE | 2:1 | SHEET     | 5 OF 5 | REV        | A7      |               |   |

CUSTOMER DRAWING



Компания «ЭлектроПласт» предлагает заключение долгосрочных отношений при поставках импортных электронных компонентов на взаимовыгодных условиях!

Наши преимущества:

- Оперативные поставки широкого спектра электронных компонентов отечественного и импортного производства напрямую от производителей и с крупнейших мировых складов;
- Поставка более 17-ти миллионов наименований электронных компонентов;
- Поставка сложных, дефицитных, либо снятых с производства позиций;
- Оперативные сроки поставки под заказ (от 5 рабочих дней);
- Экспресс доставка в любую точку России;
- Техническая поддержка проекта, помощь в подборе аналогов, поставка прототипов;
- Система менеджмента качества сертифицирована по Международному стандарту ISO 9001;
- Лицензия ФСБ на осуществление работ с использованием сведений, составляющих государственную тайну;
- Поставка специализированных компонентов (Xilinx, Altera, Analog Devices, Intersil, Interpoint, Microsemi, Aeroflex, Peregrine, Syfer, Eurofarad, Texas Instrument, Miteq, Cobham, E2V, MA-COM, Hittite, Mini-Circuits, General Dynamics и др.);

Помимо этого, одним из направлений компании «ЭлектроПласт» является направление «Источники питания». Мы предлагаем Вам помощь Конструкторского отдела:

- Подбор оптимального решения, техническое обоснование при выборе компонента;
- Подбор аналогов;
- Консультации по применению компонента;
- Поставка образцов и прототипов;
- Техническая поддержка проекта;
- Защита от снятия компонента с производства.



#### Как с нами связаться

**Телефон:** 8 (812) 309 58 32 (многоканальный)

**Факс:** 8 (812) 320-02-42

**Электронная почта:** [org@eplast1.ru](mailto:org@eplast1.ru)

**Адрес:** 198099, г. Санкт-Петербург, ул. Калинина, дом 2, корпус 4, литера А.