



FEATURES

- RoHS compliant
- Radial format
- -40°C to 85°C operating temperature
- Up to 13A ldc
- 10µH to 22mH
- Low DC resistance
- Fully tinned leads
- PCB mounting hole
- Low temperature dependence
- Backward compatible with Sn/Pb soldering systems
- Custom parts available

DESCRIPTION

The 1400 Series is suitable for many power supply and other general purpose filtering applications. The use of a non-magnetic screw will ensure mechanical stability.



For full details go to
www.murata-ps.com/rohs

SELECTION GUIDE

| Order Code | Inductance, (1kHz, 0.1V _{AC}) | DC Current ¹ | DC Resistance | Q at f kHz | | SRF | Mechanical Dimensions | | | | | Footprint | |
|------------|--|----------------------------|------------------|------------|-----|------|-----------------------|------|------|------|-----|-----------|-----|
| | ±10% | Max. | Max. | Nom. | | Nom. | a | b | c | d | Øe | f | Øg |
| | µH | A | Ω | Q | f | MHz | mm | | | | | mm | |
| 1410313C | 10 ±15% | 13 | 0.009 | 54 | 50 | 20.7 | 27.0 | 24.4 | 14.0 | 1.30 | 5.5 | 23.9 | 2.6 |
| 1415312C | 15 ±15% | 12 | 0.009 | 42 | 50 | 12.7 | 27.0 | 24.4 | 14.0 | 1.30 | 5.5 | 23.9 | 2.6 |
| 1422311C | 22 ±15% | 11 | 0.014 | 64 | 100 | 9.3 | 27.0 | 24.4 | 14.0 | 1.30 | 5.5 | 23.9 | 2.6 |
| 1433393C | 33 ±15% | 9.3 | 0.017 | 27 | 50 | 9.1 | 27.0 | 24.4 | 14.0 | 1.30 | 5.5 | 23.9 | 2.6 |
| 1447383C | 47 ±15% | 8.3 | 0.019 | 40 | 100 | 6.0 | 27.0 | 24.4 | 18.5 | 1.30 | 5.5 | 23.9 | 2.6 |
| 1447385C | 47 ±15% | 8.5 | 0.021 | 33 | 100 | 6.7 | 26.8 | 24.4 | 14.0 | 1.20 | 5.5 | 23.8 | 2.4 |
| 1468362C | 68 ±15% | 6.2 | 0.032 | 32 | 100 | 5.3 | 26.5 | 24.4 | 14.0 | 1.08 | 5.5 | 23.7 | 2.1 |
| 1468373C | 68 ±15% | 7.3 | 0.025 | 45 | 100 | 5.3 | 27.0 | 24.4 | 18.5 | 1.30 | 5.5 | 23.9 | 2.6 |
| 1410454C | 100 | 5.4 | 0.046 | 24 | 100 | 4.6 | 26.4 | 24.4 | 14.0 | 1.02 | 5.5 | 23.6 | 2.0 |
| 1410460C | 100 | 6.0 | 0.033 | 37 | 100 | 3.9 | 26.8 | 24.4 | 18.5 | 1.20 | 5.5 | 23.8 | 2.4 |
| 1410478C | 100 | 7.8 | 0.040 | 34 | 50 | 3.3 | 32.4 | 29.8 | 21.8 | 1.30 | 5.1 | 29.3 | 2.6 |
| 1415440C | 150 | 4.0 | 0.069 | 24 | 50 | 3.4 | 26.2 | 24.4 | 14.0 | 0.90 | 5.5 | 23.5 | 1.8 |
| 1415449C | 150 | 4.9 | 0.055 | 34 | 50 | 2.9 | 26.4 | 24.4 | 18.5 | 1.02 | 5.5 | 23.6 | 2.0 |
| 1415465C | 150 | 6.5 | 0.042 | 46 | 100 | 2.4 | 32.2 | 29.8 | 21.8 | 1.20 | 5.1 | 29.2 | 2.4 |
| 1422435C | 220 | 3.5 | 0.096 | 22 | 50 | 2.8 | 26.1 | 24.4 | 14.0 | 0.85 | 5.5 | 23.5 | 1.7 |
| 1422441C | 220 | 4.1 | 0.073 | 33 | 100 | 2.3 | 26.3 | 24.4 | 18.5 | 0.97 | 5.5 | 23.6 | 1.9 |
| 1422455C | 220 | 5.5 | 0.062 | 30 | 50 | 2.2 | 32.1 | 29.8 | 21.8 | 1.14 | 5.1 | 29.1 | 2.2 |
| 1430430C | 300 | 3.0 | 0.140 | 26 | 50 | 2.6 | 25.9 | 24.4 | 14.0 | 0.75 | 5.5 | 23.4 | 1.5 |
| 1430433C | 300 | 3.3 | 0.100 | 37 | 50 | 2.2 | 26.2 | 24.4 | 18.5 | 0.90 | 5.5 | 23.5 | 1.8 |
| 1430450C | 300 | 5.0 | 0.080 | 28 | 50 | 1.7 | 31.8 | 29.8 | 21.8 | 1.02 | 5.1 | 29.0 | 2.0 |
| 1433428C | 330 | 2.8 | 0.150 | 22 | 50 | 2.5 | 25.9 | 24.4 | 14.0 | 0.76 | 5.5 | 23.4 | 1.5 |
| 1433433C | 330 | 3.3 | 0.120 | 29 | 50 | 2.0 | 26.2 | 24.4 | 18.5 | 0.90 | 5.5 | 23.5 | 1.8 |
| 1433445C | 330 | 4.5 | 0.091 | 25 | 50 | 1.6 | 31.8 | 29.8 | 21.8 | 1.02 | 5.1 | 29.0 | 2.0 |
| 1447423C | 470 | 2.3 | 0.250 | 34 | 50 | 2.0 | 25.7 | 24.4 | 14.0 | 0.67 | 5.5 | 23.3 | 1.3 |
| 1447427C | 470 | 2.7 | 0.160 | 25 | 50 | 1.6 | 26.1 | 24.4 | 18.5 | 0.85 | 5.5 | 23.5 | 1.7 |
| 1447440C | 470 | 4.0 | 0.125 | 24 | 50 | 1.4 | 31.7 | 29.8 | 21.8 | 0.97 | 5.1 | 29.0 | 1.9 |
| 1468420C | 680 | 2.0 | 0.300 | 23 | 50 | 1.6 | 25.7 | 24.4 | 14.0 | 0.67 | 5.5 | 23.3 | 1.3 |
| 1468422C | 680 | 2.2 | 0.226 | 28 | 50 | 1.3 | 25.9 | 24.4 | 18.5 | 0.75 | 5.5 | 23.4 | 1.5 |
| 1468431C | 680 | 3.1 | 0.173 | 60 | 10 | 1.0 | 31.6 | 29.8 | 21.8 | 0.90 | 5.1 | 28.9 | 1.8 |
| 1410516C | 1.0mH | 1.6 | 0.460 | 30 | 50 | 1.4 | 25.6 | 24.4 | 14.0 | 0.60 | 5.5 | 23.2 | 1.2 |
| 1410517C | 1.0mH | 1.7 | 0.336 | 35 | 50 | 1.2 | 25.7 | 24.4 | 18.5 | 0.67 | 5.5 | 23.3 | 1.3 |
| 1410524C | 1.0mH | 2.4 | 0.277 | 33 | 50 | 1.0 | 31.4 | 29.8 | 21.8 | 0.79 | 5.1 | 28.8 | 1.5 |
| 1415513C | 1.5mH | 1.3 | 0.680 | 34 | 50 | 1.0 | 25.5 | 24.4 | 14.0 | 0.54 | 5.5 | 23.1 | 1.0 |
| 1415514C | 1.5mH | 1.4 | 0.550 | 47 | 50 | 0.8 | 25.6 | 24.4 | 18.5 | 0.60 | 5.5 | 23.2 | 1.2 |
| 1415517C | 1.5mH | 1.7 | 0.374 | 28 | 50 | 0.7 | 31.3 | 29.8 | 21.8 | 0.75 | 5.1 | 28.8 | 1.5 |
| 1422509C | 2.2mH | 0.9 | 1.000 | 43 | 50 | 0.9 | 25.3 | 24.4 | 14.0 | 0.48 | 5.5 | 23.1 | 0.9 |
| 1422512C | 2.2mH | 1.2 | 0.700 | 33 | 50 | 0.7 | 25.6 | 24.4 | 18.5 | 0.60 | 5.5 | 23.2 | 1.2 |
| 1422514C | 2.2mH | 1.4 | 0.622 | 33 | 50 | 0.6 | 31.1 | 29.8 | 21.8 | 0.67 | 5.1 | 28.7 | 1.3 |
| 1433507C | 3.3mH | 0.7 | 1.428 | 45 | 50 | 0.8 | 25.2 | 24.4 | 14.0 | 0.43 | 5.5 | 23.0 | 0.8 |
| 1433510C | 3.3mH | 1.0 | 1.992 | 20 | 50 | 0.7 | 25.5 | 24.4 | 18.5 | 0.54 | 5.5 | 23.1 | 1.0 |
| 1433512C | 3.3mH | 1.2 | 0.930 | 20 | 50 | 0.5 | 31.0 | 29.8 | 21.8 | 0.60 | 5.1 | 28.6 | 1.2 |
| 1447506C | 4.7mH | 0.6 | 2.200 | 60 | 50 | 0.6 | 25.2 | 24.4 | 14.0 | 0.39 | 5.5 | 23.0 | 0.7 |
| 1447508C | 4.7mH | 0.8 | 1.600 | 65 | 50 | 0.5 | 25.3 | 24.4 | 18.5 | 0.48 | 5.5 | 23.1 | 0.9 |
| 1447509C | 4.7mH | 0.9 | 1.400 | 57 | 10 | 0.5 | 30.9 | 29.8 | 21.8 | 0.54 | 5.1 | 28.5 | 1.0 |
| 1468505C | 6.8mH | 0.5 | 2.880 | 50 | 50 | 0.5 | 25.2 | 24.4 | 14.0 | 0.39 | 5.5 | 23.0 | 0.7 |
| 1468507C | 6.8mH | 0.7 | 2.300 | 47 | 50 | 0.4 | 25.2 | 24.4 | 18.5 | 0.43 | 5.5 | 23.0 | 0.8 |
| 1468508C | 6.8mH | 0.8 | 2.100 | 30 | 50 | 0.4 | 30.7 | 29.8 | 21.8 | 0.48 | 5.1 | 28.5 | 0.9 |
| 1410604C | 10mH | 0.4 | 4.340 | 51 | 50 | 0.4 | 25.1 | 24.4 | 14.0 | 0.34 | 5.5 | 22.9 | 0.6 |
| 1410605C | 10mH | 0.5 | 3.600 | 48 | 50 | 0.3 | 25.2 | 24.4 | 18.5 | 0.39 | 5.5 | 23.0 | 0.7 |
| 1410606C | 10mH | 0.6 | 2.600 | 48 | 50 | 0.2 | 30.9 | 29.8 | 21.8 | 0.54 | 5.1 | 28.5 | 1.0 |
| 1415604C | 15mH | 0.4 | 5.500 | 61 | 10 | 0.2 | 25.1 | 24.4 | 18.5 | 0.34 | 5.5 | 22.9 | 0.6 |
| 1415605C | 15mH | 0.5 | 3.740 | 55 | 10 | 0.2 | 30.6 | 29.8 | 21.8 | 0.43 | 5.1 | 28.4 | 0.8 |
| 1422604C | 22mH | 0.4 | 6.962 | 30 | 50 | 0.2 | 30.5 | 29.8 | 21.8 | 0.34 | 5.1 | 28.3 | 0.6 |

¹ Maximum DC current occurs when either the inductance falls to 60% of its nominal value or when its temperature rise reaches 50°C, whichever is sooner.

SOLDERING INFORMATION²

| | |
|------------------------------|----------------------|
| Peak wave solder temperature | 300°C for 10 seconds |
| Pin finish | Pure tin dip |

ABSOLUTE MAXIMUM RATINGS

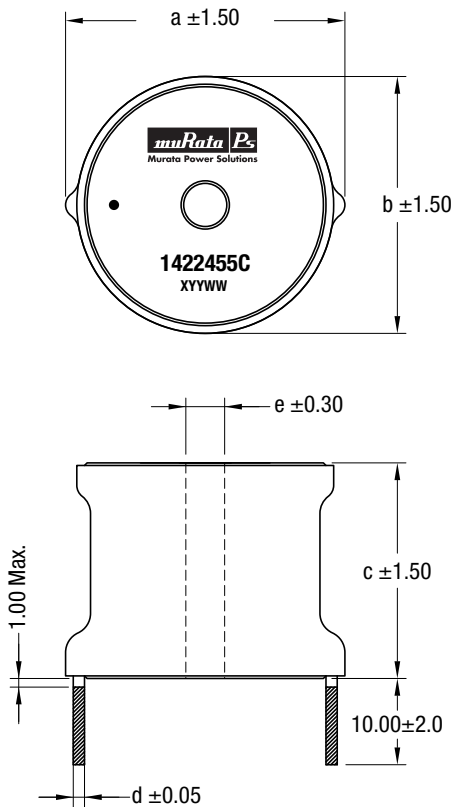
| | |
|--------------------------------------|----------------|
| Operating free air temperature range | -40°C to 85°C |
| Storage temperature range | -55°C to 125°C |

All specifications typical at T_a=25°C

2 For further information, please visit www.murata-ps.com/rohs

PACKAGE SPECIFICATIONS

MECHANICAL DIMENSIONS



All dimensions in mm.
 Package weight: 30-65g Typ.
 Dot indicates the innermost turn of the winding.

RECOMMENDED FOOTPRINT DETAILS



All dimensions in mm

PACKAGING DETAILS

| | |
|------------------------|---------------|
| 21.8mm height products | 15 per carton |
| All other products | 25 per carton |

Murata Power Solutions, Inc.
 11 Cabot Boulevard, Mansfield, MA 02048-1151 U.S.A.
 ISO 9001 and 14001 REGISTERED

Murata Power Solutions, Inc. makes no representation that the use of its products in the circuits described herein, or the use of other technical information contained herein, will not infringe upon existing or future patent rights. The descriptions contained herein do not imply the granting of licenses to make, use, or sell equipment constructed in accordance therewith. Specifications are subject to change without notice.
 © 2012 Murata Power Solutions, Inc.



Компания «ЭлектроПласт» предлагает заключение долгосрочных отношений при поставках импортных электронных компонентов на взаимовыгодных условиях!

Наши преимущества:

- Оперативные поставки широкого спектра электронных компонентов отечественного и импортного производства напрямую от производителей и с крупнейших мировых складов;
- Поставка более 17-ти миллионов наименований электронных компонентов;
- Поставка сложных, дефицитных, либо снятых с производства позиций;
- Оперативные сроки поставки под заказ (от 5 рабочих дней);
- Экспресс доставка в любую точку России;
- Техническая поддержка проекта, помощь в подборе аналогов, поставка прототипов;
- Система менеджмента качества сертифицирована по Международному стандарту ISO 9001;
- Лицензия ФСБ на осуществление работ с использованием сведений, составляющих государственную тайну;
- Поставка специализированных компонентов (Xilinx, Altera, Analog Devices, Intersil, Interpoint, Microsemi, Aeroflex, Peregrine, Syfer, Eurofarad, Texas Instrument, Miteq, Cobham, E2V, MA-COM, Hittite, Mini-Circuits, General Dynamics и др.);

Помимо этого, одним из направлений компании «ЭлектроПласт» является направление «Источники питания». Мы предлагаем Вам помощь Конструкторского отдела:

- Подбор оптимального решения, техническое обоснование при выборе компонента;
- Подбор аналогов;
- Консультации по применению компонента;
- Поставка образцов и прототипов;
- Техническая поддержка проекта;
- Защита от снятия компонента с производства.



Как с нами связаться

Телефон: 8 (812) 309 58 32 (многоканальный)

Факс: 8 (812) 320-02-42

Электронная почта: org@eplast1.ru

Адрес: 198099, г. Санкт-Петербург, ул. Калинина, дом 2, корпус 4, литера А.