

# MAX77829

# Companion PMIC for Smartphone and Tablet

## General Description

The MAX77829 is a high-performance companion PMIC for latest 3G/4G smartphones and tablets. The PMIC includes a single-input 2.0A switched-mode charger with reverse-boost capability and adapter input protection up to 22V (DC) for one-cell Lithium-Ion (Li+) battery, a safeout LDO, and WLED backlight driver supporting up to 25mA/string, 35V output voltage. It also features a dual-channel 1.5A (combined, 750mA/CH) Flash LED driver (with Torch Mode included).

The typical 4MHz switched-mode battery charger with two integrated switches, providing the smallest L/C size, lowest heat and fastest programmable battery-charging current, is ideally suited for portable devices such as headsets and ultra-portable media players. The charger features single input, which works for adapter/USB type inputs. All the MAX77829 blocks connecting to the adapter/USB pin are protected from input overvoltage events. The DC pin is rated to 22V absolute maximum. The USB-OTG output provides true-load disconnect and is protected by an adjustable output current limit (default 900mA, other current limit is also available with different factory setting up to 900mA).

The battery charger drives an external p-channel MOSFET as power-path switch, and its I<sup>2</sup>C-programmable settings can accommodate a wide range of battery sizes and system loads. When configured in reverse boost mode, the MAX77829 requires no additional inductor to power USB OTG accessories and/or provide illumination to the Flash LED.

The switching charger implements a special CC, CV, and die temperature regulation algorithm; the patented MaxFlash prevents overloading a weak battery, further extending battery life.

The MAX77829 features an I<sup>2</sup>C 2.0-compatible serial interface consisting of a bidirectional serial data line (SDA) and a serial clock line (SCL).

## Benefits and Features

- Highly Integrated Solution
  - Single Input Switched Mode Charger
  - Camera Flash and Torch LED Driver, Dual-Channel 750mA/ch
  - Two-String White LED Backlight Driver, 25mA/ch, 35V OVP
  - One Safeout LDO
- Single High Efficient Switched Mode Charger
  - Supporting Up to 2.0A Charging Current Capability
  - Input-Voltage-Based Automatic Input Current Limit (AICL) Power Management
  - System Voltage Regulator/Battery Charger with External Power Path
  - Various Charging Protection Features
- Single Input Accommodating Standard USB and High Input Voltage Adaptor
  - 22V Absolute Maximum Input Voltage Rating,
  - up to +9.4V Maximum Operating Input Voltage
- USB OTG Capability
  - Reverse Boost Support, Up to 900mA at +5V
  - Programmable Reverse Boost Output Voltage (Up to 5.8V)
- Flexible Programmability
  - I<sup>2</sup>C 2.0 Serial Interface
- Compact Package
  - 3.64mm x 3.24mm WLP, 8 x 7 Array, 56-Bumps, 0.4mm Pitch

## Applications

- Smartphone and Tablets
- Other Li-Ion Battery Power Handheld Devices

Ordering Information appears at end of data sheet.

### Absolute Maximum Ratings

DC, BYP to GND .....-0.3V to +22V  
 LX, BST to GND .....-0.3V to +12V  
 CS, SYSS, SYS, AVL, PVL, FET\_DRV,  
 MBATT, IN\_FLED, CHGIND to GND .....-0.3V to +6V  
 MBATSNSP, MBATSNSN, MBATDET,  
 THM to GND .....-0.3V to +6V  
 INOK to GND ..... -0.3V to (V<sub>SYS</sub> + 0.3V)  
 LX, CHGPG Continuous Current .....2A<sub>RMS</sub>  
 DC, BYP Continuous Current .....2A<sub>RMS</sub>  
 FLED to GND ..... -0.3V to (V<sub>BYP</sub> + 0.3V)  
 TORCHEN, FLASHEN to GND .....-0.3V to (V<sub>SYS\_A</sub> + 0.3V)  
 FLED1, FLED2 Current .....0.8A<sub>RMS</sub>  
 SAFEOUT to GND ..... -0.3V to (V<sub>DC</sub> + 0.3V)  
 SAFEOUT Continuous Current ..... 100mA  
 WLEDOUT, WLED1, WLED2 to GND ..... -0.3V to +36V

WLEDGND, WLEDPGND to GND ..... -0.3V to 0.3V  
 WLEDPWM to GND ..... -0.3V to (V<sub>SYS</sub> + 0.3V)  
 WLEDLX Continuous Current .....1.2A<sub>RMS</sub>  
 VIO to GND .....-0.3V to +6V  
 SDA, SCL to GND ..... -0.3V to (V<sub>VIO</sub> + 0.3V)  
 MRST, RESET, INT to GND .....-0.3V to (V<sub>SYS\_A</sub> + 0.3V)  
 TEST\_, VCCTEST, SYS\_ to GND .....-0.3V to +6V  
 GND\_ to GND .....-0.3V to +0.3V  
 Continuous Power Dissipation (T<sub>A</sub> = +70°C)  
     WLP (derate 25mW/°C above 70°C) .....2000mW  
 Operating Temperature ..... -40°C to +85°C  
 Junction Temperature ..... +150°C  
 Storage Temperature Range ..... -65°C to +150°C  
 Soldering Temperature (reflow) ..... +260°C

*Stresses beyond those listed under "Absolute Maximum Ratings" may cause permanent damage to the device. These are stress ratings only, and functional operation of the device at these or any other conditions beyond those indicated in the operational sections of the specifications is not implied. Exposure to absolute maximum rating conditions for extended periods may affect device reliability.*

### Package Thermal Characteristics (Note 1)

WLP  
 Junction-to-Ambient Thermal Resistance (θ<sub>JA</sub>) .....40°C/W

**Note 1:** Package thermal resistances were obtained using the method described in JEDEC specification JESD51-7, using a four-layer board. For detailed information on package thermal considerations, refer to [www.maximintegrated.com/thermal-tutorial](http://www.maximintegrated.com/thermal-tutorial).

### Electrical Characteristics

(V<sub>DC</sub> = 5V, C<sub>BYP</sub> = 2.2µF, C<sub>PVL</sub> = C<sub>AVL</sub> = 10µF, C<sub>SYSS</sub> = 10µF, C<sub>MBAT</sub> = 4.7µF, T<sub>A</sub> = -40°C to +85°C, unless otherwise noted. Typical values are at T<sub>A</sub> = +25°C.) (Note 2)

PARAMETER	SYMBOL	CONDITIONS	MIN	TYP	MAX	UNITS
<b>DC INPUT</b>						
DC Operating Voltage Range			3.5		V <sub>OVLO</sub> (min)	V
DC Startup Voltage Range			4.0		V <sub>OVLO</sub>	V
DC Undervoltage Lockout	V <sub>UVLO</sub>	DC rising, 500mV hysteresis	3.6	3.8	4.0	V
DC Overvoltage Lockout	V <sub>OVLO</sub>	DC rising, 3% hysteresis, contact factory for alternate thresholds (5.9V, 7.5V, 9.7V)	6.3	6.5	6.7	V
DC_V Threshold	V <sub>DC_V</sub>	DC rising, 200mV hysteresis	5.7	5.8	5.95	V
DC Overvoltage Interrupt Delay				16		ms
DC Insertion Debounce Time	t <sub>DBDC</sub>		100	120	150	ms
DC to SYS Shutdown Threshold		When charging stops, V <sub>DC</sub> falling, 150mV hysteresis	0	50	100	mV

## Electrical Characteristics (continued)

( $V_{DC} = 5V$ ,  $C_{BYP} = 2.2\mu F$ ,  $C_{PVL} = C_{AVL} = 10\mu F$ ,  $C_{SYS} = 10\mu F$ ,  $C_{MBAT} = 4.7\mu F$ ,  $T_A = -40^\circ C$  to  $+85^\circ C$ , unless otherwise noted. Typical values are at  $T_A = +25^\circ C$ .) (Note 2)

PARAMETER	SYMBOL	CONDITIONS	MIN	TYP	MAX	UNITS
DC Supply Current	$I_{DC}$	USB suspend, $V_{DC} = 5.5V$			0.5	mA
		Charger enabled, $f = 4MHz$ , $V_{DC} = 5.5V$ , $V_{SYSMIN} = 3.55V$ , QBAT off, no load		2		
DC Current Limit	$I_{DC\_ILIM}$	Programmed DCILMT[5:0], minimum		0.1		A
		Programmed DCILMT[5:0], typical		2		
Input Current Limit Accuracy		USB 100mA mode	90	95	100	mA
		USB 500mA mode	450	475	500	
		Programmed to 1.5A	1350	1500	1650	
Adaptive Input Current Limit (AICL) Voltage Threshold	$V_{DC\_AICL}$	DC voltage where charging current is regulated, programmable from 4.0V to 4.6V in 100mV increments (4.5V setting)	4.410	4.5	4.635	V
		DC voltage where the charging current is reset to its minimum value (75mA), AICL_RESET=0		$V_{DC\_AICL} - 0.1$		V
Input Limit Switch		$V_{DC} = 5.5V$ , $I_{BYP} = 100mA$		50	100	m $\Omega$
<b>LEAKAGE CURRENT</b>						
BST Leakage Current		$V_{BST} = V_{LXCHG} = 5.5V$ , $V_{DC} = V_{PGCHG}$ , $V_{SYS} = 3.7V$	$T_A = +25^\circ C$	0.01	10	$\mu A$
			$T_A = -40^\circ C$ to $+85^\circ C$		0.1	
MBATT Reverse-Leakage Current		$V_{MBAT} = 4.2V$ , $V_{DC} = 0V$	$T_A = +25^\circ C$	0.01	10	$\mu A$
			$T_A = -40^\circ C$ to $+85^\circ C$		0.1	
<b>BUCK CONVERTER OPERATION</b>						
Switching Frequency		$V_{MBAT} = 3.7V$		4		MHz
Max Duty Cycle					99.5	%
Minimum On-Time				35		ns
Maximum On-Time				10		$\mu s$
Minimum Off-Time				35		ns
Soft-Start Time				1.5		ms
High-Side Resistance		$I_{LX} = 100mA$ , $V_{DC} = 5.5V$		130	250	m $\Omega$
Low-Side Resistance		$I_{LX} = 100mA$ , $V_{DC} = 5.5V$		150	220	m $\Omega$
Thermal Regulation Temperature		Programmable-2 bits, see the REGTEMP[1:0]	Minimum		75	$^\circ C$
			Maximum		120	
			Step size		15	
<b>BATTERY CHARGER</b>						
Pre-Charge Lower Threshold	$V_{PQLTH}$	$V_{MBATT}$ rising, 125mV hysteresis, contact the factory for alternative selection for 2.1V, 2.2V, 2.3V, 2.4V, 2.5V, 2.6V, 2.7V, 2.8V		2.1		V
Dead-Battery Charge Current	$I_{PQLTH}$	$0V \leq V_{MBAT} \leq V_{PQLTH}$		40		mA

## Electrical Characteristics (continued)

( $V_{DC} = 5V$ ,  $C_{BYP} = 2.2\mu F$ ,  $C_{PVL} = C_{AVL} = 10\mu F$ ,  $C_{SYS} = 10\mu F$ ,  $C_{MBAT} = 4.7\mu F$ ,  $T_A = -40^\circ C$  to  $+85^\circ C$ , unless otherwise noted. Typical values are at  $T_A = +25^\circ C$ .) (Note 2)

PARAMETER	SYMBOL	CONDITIONS	MIN	TYP	MAX	UNITS	
Precharge Upper Threshold	$V_{PQUTH}$	$V_{MBAT}$ rising, 150mV hysteresis, contact the factory for alternative settings		3.4		V	
Precharge Current	$I_{PRECHG}$	Contact factory for alternative settings, 100mA, 200mA, 300mA, 400mA) with 200mA as default setting		200		mA	
<b>CONSTANT CURRENT MODE</b>							
BATT Fast-Charge Current Range	$I_{FCHG}$	Programmable 50mA steps, $R_{CS} = 47m\Omega$	Minimum	250		mA	
			Maximum	2000			
Fast-Charge Current Accuracy (Voltage Across $R_{CS}$ )		$11.5mV < V_{RCS} < 70.5mV$ $R_{CS} = 47m\Omega$ , $V_{RCS} = R_{CS} \times I_{CHG}$	$T_A = +10^\circ C$ to $+45^\circ C$	-5	+5	%	
			JEITA Safety Region	-65	-50		-35
<b>CONSTANT VOLTAGE MODE</b>							
Battery Regulation Voltage Range		Programmable with $MBATREG[3:0]$	Minimum	3.55		V	
			Maximum	4.4			
Battery Regulation Voltage Accuracy	$V_{MBATT}$	When the charger is regulating battery voltage (i.e. top-off mode or fast-charger constant voltage mode), then it will regulate based on $MBATREG[3:0]$ .  Charger is regulating battery voltage , $V_{MBATREG} = 4.2V$ ( $MBATREG[3:0]=0b1011$ ), $V_{MBATREG} = 4.35V$ ( $MBATREG[3:0]=0b1111$ )	$T_A = +25^\circ C$	-0.5	+0.5	%	
			$T_A = -40^\circ C$ to $+85^\circ C$	-1	+1		
			When JEITA is enabled ( $JEITA\_EN=1$ ) and the battery temperature is in the "COOL" Region, the battery regulation voltage will be this much lower than the value programmed by $MBATREG[3:0]$ .		150	mV	
Battery Refresh Threshold		$V_{MBATREG} = 4.2V$ ( $MBATREG[3:0]=0b1011$ ), $V_{MBATREG} = 4.35V$ ( $MBATREG[3:0]=0b1111$ ) After the charger enters the DONE state, it will restart when the battery falls this percentage below $V_{MBATREG}$ ( $MBATREG[3:0]$ )	$CHGRSTRT = 0$	1	3	5	%
			$CHGRSTRT = 1$	2	4	6	
Battery Overvoltage Protection	$V_{MBAT\_OVP}$	$V_{MBATREG} = 4.2V$ ( $MBATREG[3:0]=0b1011$ ), $V_{MBATREG} = 4.35V$ ( $MBATREG[3:0]=0b1111$ ) $V_{MBATT}$ threshold over regulation voltage, hysteresis 2.2% ( $V_{BAT}$ falling)	102	104	106	%	

## Electrical Characteristics (continued)

( $V_{DC} = 5V$ ,  $C_{BYP} = 2.2\mu F$ ,  $C_{PVL} = C_{AVL} = 10\mu F$ ,  $C_{SYS} = 10\mu F$ ,  $C_{MBAT} = 4.7\mu F$ ,  $T_A = -40^\circ C$  to  $+85^\circ C$ , unless otherwise noted. Typical values are at  $T_A = +25^\circ C$ .) (Note 2)

PARAMETER	SYMBOL	CONDITIONS		MIN	TYP	MAX	UNITS
Charge Current Termination Threshold Range	$I_{DONE}$	I <sup>2</sup> C programmable, see I <sub>TOPOFF</sub> [2:0]. I <sub>DONE</sub> current independent of JEITA functionality	Minimum		50		mA
			Maximum		400		
			Step size		50		
Charge Current Termination Deglitch Time		2mV overdrive		16			ms
Charge Current Termination Accuracy		$I_{DONE} = 200mA$		180		224	mA
		$I_{DONE} = 50mA$		35		70	
<b>VICHG</b>							
VICHG Output Voltage		$V_{ICHG\_GAIN} = 0$ , 1.41mV/mA	$I_{OUT} = 50mA$		70.5		mV
			$I_{OUT} = 1000mA$	1260	1410	1540	
			$I_{OUT} = 1500mA$		2150		
<b>CHARGER TIMER</b>							
Dead-Battery and Precharge Time	$t_{PRECHG}$	USB 500mA mode ( $t_{PRECHG\_500}$ )			14	16	min
		USB 100mA mode ( $t_{PRECHG\_100}$ )			39	45	
Fast-Charge Time Range	$t_{FCHG}$	I <sup>2</sup> C programmable, refer to FCHGTIME[2:0] for detailed values	Minimum		4		hour
			Maximum		16		
Fast-Charge Timer Accuracy		Default 5 hours setting		5	6		hour
Top-Off Time	$t_{TOPOFF}$	I <sup>2</sup> C programmable (See the $T_{OPOFF}$ [2:0])	Minimum		0		min
			Maximum		60		
			Step size		10		
Top-Off Timer Accuracy		Default 30 minute setting		20			%
Timer Extend Current Threshold		Percentage of fast-charge current below which the timer clock operates at half-speed (when JEITA is enabled)		50			%
<b>REVERSE BOOST</b>							
BYP Reverse Boost Voltage Adjustment Range		Programmable with $R_{BOUT}[3:0]$ , $2.6V < V_{SYS} < V_{BYP} - 0.5V$	Minimum		3.0		V
			Maximum		5.8		
			Step size		0.025		
Reverse Boost Quiescent Current		Switching		2.1			mA
Reverse Boost Voltage Accuracy		5.1V setting, $0mA < I_{LOAD} < 500mA$		4.94	5.1	5.36	V
Reverse Boost Converter Maximum Output Current		$V_{SYS} = 3.7V$ (minimum required SYS voltage to guarantee the boost output current)		1500			mA

## Electrical Characteristics (continued)

( $V_{DC} = 5V$ ,  $C_{BYP} = 2.2\mu F$ ,  $C_{PVL} = C_{AVL} = 10\mu F$ ,  $C_{SYS} = 10\mu F$ ,  $C_{MBAT} = 4.7\mu F$ ,  $T_A = -40^\circ C$  to  $+85^\circ C$ , unless otherwise noted. Typical values are at  $T_A = +25^\circ C$ .) (Note 2)

PARAMETER	SYMBOL	CONDITIONS		MIN	TYP	MAX	UNITS
Reverse Boost Output Voltage Ripple		Discontinuous inductor current (i.e. skip mode)			$\pm 50$		mV
		$V_{BAT} = 3.6V$ , $V_{BYP} = 5.5V$ , $I_{BYP} = 100mA$			$\pm 50$		mV
DC Output Capacitor		Device included				22	$\mu F$
Maximum DC Output Current		$V_{SYS} = 3.7V$		900			mA
DC Output Current Limit	OTGILIM			1000		1970	mA
OTGILIM Interrupt Debounce					30		ms
Reverse Boost Output Voltage Ripple		When DC output current hits OTGILIM	Retry on-time		0.5		ms
			Retry off-time		330		
Inductor Peak Current Limit				3.49	3.9	4.40	A
BYP_UVLO		Falling		4.30	4.35	4.45	V
BYP_UVLO Hysteresis					150		mV
<b>BAT-SYS-FET DRIVER</b>							
FET_DRV Output High		$I_{SOURCE} = -1mA$			$V_{PVL} - 0.2$		V
FET_DRV Output Low		$I_{SINK} = 1mA$				0.2	V
Minimum $V_{SYS}$ Regulation Voltage Range	$V_{SYSMIN}$	Programmable with $V_{SYSREG}[2:0]$	Minimum		3.0		V
			Maximum		3.6		
			Step size		0.1		
MBATT to SYS FET Turn-On Threshold		Turn-on threshold ( $V_{MBATT}$ rising)			$V_{PQUTH}$		V
		Turn-off threshold ( $V_{MBATT}$ falling)			$V_{PQUTH} - 0.15$		V
Supplement Mode Threshold Level		Entering supplement mode when $V_{SYS} < V_{BAT}$		25	40	50	mV
		Exiting supplement mode		10			mV
<b>BATTERY OVERCURRENT THRESHOLD</b>							
Battery Overcurrent Threshold Alarm		$R_{BATRSNS} = 5m\Omega$ , $BAT2SOC[1:0] = 4.0A$ setting, overcurrent from BAT to SYS sensed through the $5m\Omega$ resistor, it does not shut off external FET, but provides an overcurrent interrupt through $BAT\_I$ to the processor		16	20	24	mV
Battery Overcurrent Debounce Time		4ms setting (programmable from 4ms to 10ms)		3.8	4.0	4.2	ms

## Electrical Characteristics (continued)

( $V_{DC} = 5V$ ,  $C_{BYP} = 2.2\mu F$ ,  $C_{PVL} = C_{AVL} = 10\mu F$ ,  $C_{SYS} = 10\mu F$ ,  $C_{MBAT} = 4.7\mu F$ ,  $T_A = -40^\circ C$  to  $+85^\circ C$ , unless otherwise noted. Typical values are at  $T_A = +25^\circ C$ .) (Note 2)

PARAMETER	SYMBOL	CONDITIONS	MIN	TYP	MAX	UNITS	
<b>BATTERY DETECTION</b>							
Low-Cost Battery Presence Detection Voltage		$V_{INI2C} = 1.8V$ , $V_{\overline{MBATDET}}$ rising, 60mV hysteresis	1.063	1.1	1.136	V	
			59.1	61.1	63.1	% $V_{INI2C}$	
High-Cost Battery Presence Detection Voltage		$V_{INI2C} = 1.8V$ , $V_{\overline{MBATDET}}$ rising, 20mV hysteresis	1.454	1.5	1.536	V	
		Turn off threshold ( $V_{MBATT}$ falling)	80.8	83.3	85.3	% $V_{INI2C}$	
Battery Disconnect Detection Voltage		$V_{INI2C} = 1.8V$ , $V_{\overline{MBATDET}}$ rising, 60mV hysteresis	1.621	1.65	1.676	V	
		Turn-off threshold ( $V_{MBATT}$ falling)	90.1	91.6	93.1	% $V_{INI2C}$	
Battery Detection Debounce Timer (BAT_REMOVED)		Programmable with TDEB_BATREM[4:0]	Minimum	0		$\mu s$	
			Maximum	976			
			Step Size	30.5			
Strong Pullup Resistor		STRONGPUENB=0	2.4	4.7	9.4	k $\Omega$	
$\overline{MBATDET}$ Leakage Current		$V_{INI2C} = 5.5V$ , $V_{\overline{MBATDET}} = 0V$ $T_A = +25^\circ C$	-1	0.01	+1	$\mu A$	
		$V_{INI2C} = 5.5V$ , $V_{\overline{MBATDET}} = 0V$ $T_A = +85^\circ C$		0.1			
<b>THERMISTOR MONITOR (Thresholds are calculated for R25 = 100k<math>\Omega</math> and <math>\beta = 4050K</math>)</b>							
THM Threshold, Cold, No Charge ( $-7^\circ C$ )	T1	$V_{THM}/V_{AVL}$ rising, 2% hysteresis (thermistor temperature falling)	75.4	77.9	80.4	%	
THM Cool Threshold ( $10^\circ C$ )	T2	$V_{THM}/V_{AVL}$ rising, 2% hysteresis (thermistor temperature falling), Disabled through JEITA_EN register	61.5	64	66.5	%	
THM Warm Threshold ( $45^\circ C$ )	T3	$V_{THM}/V_{AVL}$ falling, 2% hysteresis (thermistor temperature rising), Disabled through JEITA_EN register	30.47	32.97	35.47	%	
THM Threshold, Hot, No Charge ( $56^\circ C$ )	T4	$V_{THM}/V_{AVL}$ falling, 2% hysteresis (thermistor temperature rising)	23.1	25.6	28.1	%	
THM Leakage Current		$V_{THM} = V_{AVL}$ or 0V	$T_A = +25^\circ C$	-0.2	+0.01	+0.2	$\mu A$
			$T_A = +85^\circ C$		0.1		

## Electrical Characteristics (continued)

( $V_{DC} = 5V$ ,  $C_{BYP} = 2.2\mu F$ ,  $C_{PVL} = C_{AVL} = 10\mu F$ ,  $C_{SYS} = 10\mu F$ ,  $C_{MBAT} = 4.7\mu F$ ,  $T_A = -40^\circ C$  to  $+85^\circ C$ , unless otherwise noted. Typical values are at  $T_A = +25^\circ C$ .) (Note 2)

PARAMETER	SYMBOL	CONDITIONS	MIN	TYP	MAX	UNITS	
<b>PVL/AVL OUTPUTS</b>							
Dropout Voltage	$V_{DO}$	$V_{SYS} = 3.6V$ , $I_{AVL} = 30mA$ , $V_{DO} = V_{BYP} - V_{AVL}$	$V_{DC} = 4.5V$	50		mV	
			$V_{DC} = 0V$	18			
Current Limit				400		mA	
Maximum Output Current	$I_{AVLMAX}$		100			mA	
AVL/PVL POK Output Threshold		Threshold where internal power rails to charger turns on		2.7		V	
AVL/PVL Regulated Output		$I_{AVL} = 0V$ to $I_{PVLMAX}$ , $V_{DC} = 5.5V$	4.75	5.00	5.25	V	
<b>INOK</b>							
Output Low Voltage		$I_{SINK} = 1mA$			0.4	V	
Output High Leakage		$V_{SYS} = 5.5V$	$T_A = +25^\circ C$	-1	0	+1	$\mu A$
			$T_A = +85^\circ C$		0.1		
<b>CHGIND</b>							
Output Low Voltage		$I_{SINK} = 10mA$			0.4	V	
Output High Leakage		$V_{SYS} = 5.5V$	$T_A = +25^\circ C$	-1	0	+1	$\mu A$
			$T_A = +85^\circ C$		0.1		
<b>THERMAL SHUTDOWN</b>							
Thermal Shutdown Temperature				160		$^\circ C$	
Thermal Shutdown Hysteresis				15		$^\circ C$	
<b>BYP to IN_FLED SWITCH</b>							
IN_FLED Switch Resistance		$V_{BYP} = 5.0V$ , loading = 150mA		160	320	m $\Omega$	

## LED Flash Driver EC Characteristics

( $V_{SYS} = 3.7V$ ,  $T_A = -40^\circ C$  to  $+85^\circ C$ , unless otherwise noted. Typical values are at  $T_A = +25^\circ C$ .) (Note 2)

PARAMETER	SYMBOL	CONDITIONS	MIN	TYP	MAX	UNITS
<b>FLASH DC-DC STEP-UP CONVERTER (Shared with switch mode charger)</b>						
Adaptive Control Range	$V_{IN\_FLED}$	Adaptive controlled	3.3		5.5	V
Adaptive Output Voltage Regulation Threshold		$V_{IN\_FLED} - V_{FLED\_}$ , $I_{FLED\_} = 750mA$		250		mV
Adaptive Regulation Step Size		Smallest step that the output will regulate to		25		mV



## LED Flash Driver EC Characteristics (continued)

(V<sub>SYS</sub> = 3.7V, T<sub>A</sub> = -40°C to +85°C, unless otherwise noted. Typical values are at T<sub>A</sub> = +25°C.) (Note 2)

PARAMETER	SYMBOL	CONDITIONS	MIN	TYP	MAX	UNITS
<b>FLED CURRENT REGULATOR</b>						
IN_FLED Supply Current				1.1		mA
Current Setting for FLED_ (i.e., FLED1 or FLED2)		Current range in Flash mode in 23.436mA/step, powered from IN_FLED (FLED1NUM=0)	23.436		750	mA
		Current range in Torch mode in 23.436mA/step	23.436		375	
Current Accuracy		93mA setting; V <sub>BYP</sub> = 5V; V <sub>FLED_</sub> = 4.2V	T <sub>A</sub> = +25°C	-2.5	+2.5	%
			T <sub>A</sub> = -40°C to +85°C	-4.5	+6.5	
Current Regulator Dropout		750mA setting, 10% drop in output current, V <sub>BYP</sub> = 3.3V		220	350	mV
		750mA setting, 1% drop in output current, V <sub>BYP</sub> = 3.3V		220		
Turn-Off Time		From FLASHEN falling edge or TORCHEN falling edge or timer expire until ramping of current on FLED1/FLED2			1.5	μs
FLED1/FLED2 Current Ramping Down		Time taken for ramping current from 750mA setting to OFF setting		2		μs
FLED1/FLED2 Leakage in Shutdown		V <sub>IN_FLED</sub> = 5.5V, V <sub>FLED_</sub> = 0V	T <sub>A</sub> = +25°C	0.01	5	μA
			T <sub>A</sub> = +85°C	0.1		μA
<b>PROTECTION CIRCUITS</b>						
Flash Duration Timer		In 62.5ms steps	62.5		1000	ms
Flash Duration Timer Accuracy			-10		+10	%
Flash Safety Timer Reset Inhibit Period		From falling edge of FLASHEN or TORCHEN or register bits until flash safety timer is reset	450		700	μs
Torch Timer Range (Can be Disabled via I <sup>2</sup> C Programming)		In 0.262s steps	0.262		1.049	s
		In 0.524s steps	1.048		3.146	
		In 1.049s steps	3.145		7.340	
		In 2.097s steps	7.340		15.729	
Torch Timer Accuracy			-10		+10	%
Open LED Protection Threshold		FLED1 enabled		V <sub>IN_FLED</sub> - 30mV		mV
Shorted LED Protection Threshold		FLED			1.0	V
FLED_ Short Debounce Timer		From FLED_ short detected until FLED_ current regulator is disabled – FLED_ source is disabled after this timer to prevent excessive battery current		1		ms
FLED_ Open Debounce timer		From FLED_ open detected until FLED_ current regulator is disabled – IN_FLED voltage is limited to 5.8V max – FLED_ current source is disabled after this timer		8		ms

## LED Flash Driver EC Characteristics (continued)

( $V_{SYS} = 3.7V$ ,  $T_A = -40^{\circ}C$  to  $+85^{\circ}C$ , unless otherwise noted. Typical values are at  $T_A = +25^{\circ}C$ .) (Note 2)

PARAMETER	SYMBOL	CONDITIONS	MIN	TYP	MAX	UNITS
<b>MAXFLASH</b>						
Low SYS Detect Threshold Range		In 33mV steps	2.400		3.433	V
Low SYS Voltage Threshold Accuracy				± 2.5		%
Low SYS Voltage Hysteresis Programmable Range		In 100mV steps	100		300	mV
Low SYS Inhibit Timer			256		2048	ms
		Rising in 256µs steps	256		2048	
Low SYS Inhibit Time Accuracy			-10		+10	%
<b>FLASHEN, TORCHEN INPUTS</b>						
Pulldown Resistor			400	800	1600	kΩ
Input Capacitance		(Note 3)		10		pF
Input Low Voltage	$V_{IL}$				0.54	V
Input High Voltage	$V_{IH}$		1.26			V

## Safeout LDO

( $V_{DC} = 5V$ ,  $V_{BATT} = 3.8V$ ,  $T_A = -40^{\circ}C$  to  $+85^{\circ}C$ , unless otherwise noted. Typical values are at  $T_A = +25^{\circ}C$ .) (Note 2)

PARAMETER	SYMBOL	CONDITIONS	MIN	TYP	MAX	UNITS
<b>SAFEOUT</b>						
Output Voltage (Default ON)		$5.0V < V_{DC} < 5.5V$ , $I_{SAFEOUT} = 10mA$ , SAFEOUT[1:0] = 01'b (default)	4.65	4.9	5.15	V
		SAFEOUT[1:0] = 00'b		4.85		V
		SAFEOUT[1:0] = 10'b		4.95		V
		SAFEOUT[1:0] = 11'b		3.3		V
Maximum Output Current			60			mA
Output Current Limit				150		mA
Dropout Voltage		$V_{CHGIN} = 5V$ , $I_{OUT} = 60mA$		120		mV
Load Regulation		$V_{CHGIN} = 5.5V$ , $30\mu A < I_{OUT} < 30mA$		50		mV
Quiescent Supply Current		Not production tested		72		µA
Output Capacitor for Stable Operation (Note 3)		$0\mu A < I_{SAFEOUT} < 30mA$ , maximum ESR = 50mΩ	0.7	1		µF
Internal Off-Discharge Resistance				1200		Ω

## White LED Backlight Driver

( $V_{SYS} = 3.7V$ ,  $T_A = -40^{\circ}C$  to  $+85^{\circ}C$ , unless otherwise noted. Typical values are at  $T_A = +25^{\circ}C$ .) (Note 2)

PARAMETER	SYMBOL	CONDITIONS	MIN	TYP	MAX	UNITS
<b>STEP-UP WLED DRIVER</b>						
Input Voltage Range			2.5		$V_{OVLO}$	V
Step-Up Converter Quiescent Current		No switching, includes $20\mu A$ for each current source		200		$\mu A$
Step-Up Converter Shutdown Current		$V_{SYS} = 5.2V$ , All current sources disabled			1	$\mu A$
Current Source Quiescent Current		$V_{WLEDOUT} = 20V$ , change in quiescent current when 1 current source is enabled or disabled		20		$\mu A$
Step-Up Converter Switching Frequency		BSTEN = 1, LEDPWM duty cycle > 0	WLEDFOSC = 00	0.667		MHz
			WLEDFOSC = 11	1		
Maximum Duty Cycle		WLEDFOSC[1:0] = 11	93			%
Soft-Start Duration				10		V/ms
Output Voltage Range			$V_{BAT}$		35	V
Overvoltage Protection Threshold						
WLEDOUT Leakage Current		$V_{WLEDOUT} = 5.5V$ , $V_{SYS} = 5.2V$ , boost in shutdown (Note 3)	$T_A = +25^{\circ}C$	0.12		$\mu A$
			$T_A = +25^{\circ}C$	2		$\mu A$
		$V_{WLEDOUT} = 35V$ , $V_{WLEDLX} = 35V$ , boost in shutdown	25		$\mu A$	
Current Source Linear Output Range		8-bit linear dimming range ( $97.656\mu A/LSB$ )	0		25	mA
Current Source Dropout Voltage		$I_{WLED\_} = 25mA$ (programmed), ( $V_{WLED\_} - V_{WLEDGND}$ ) measured when $I_{LED\_}$ has dropped to 90% of full-scale programmed level, $V_{WLEDOOUT} = 20V$ , $T_A = +25^{\circ}C$		100	180	mV
WLED Current Accuracy		$I_{WLED\_} = 25mA$ , $V_{WLED\_} = 0.5V$ above $V_{WLEDGND}$ , $V_{WLEDOUT} = 20V$ , $T_A = +25^{\circ}C$	-1		+1	%
WLED Current Matching		Mismatch between $W_{LED1}$ and $W_{LED2}$ , $I_{WLED\_} = 25mA$ , ( $V_{WLED} - V_{WLEDGND}$ ) = 0.5V, $V_{WLEDOUT} = 20V$ , $T_A = +25^{\circ}C$	-1		+1	%
WLED Leakage Current in shutdown		$V_{WLEDOUT} = 35V$ , $V_{WLED\_} = 35V$	$T_A = +25^{\circ}C$	0.1	1	$\mu A$
			$T_A = +85^{\circ}C$	1		$\mu A$
WLEDLX Leakage Current		$V_{WLEDLX} = 35V$ , $V_{WLEDOUT} = 35V$	$T_A = +25^{\circ}C$	-5	+0.1	+5
			$T_A = +85^{\circ}C$		1	
N-Channel On-Resistance		$I_{WLEDLX} = 175mA$		400		m $\Omega$

## White LED Backlight Driver (continued)

( $V_{SYS} = 3.7V$ ,  $T_A = -40^{\circ}C$  to  $+85^{\circ}C$ , unless otherwise noted. Typical values are at  $T_A = +25^{\circ}C$ .) (Note 2)

PARAMETER	SYMBOL	CONDITIONS	MIN	TYP	MAX	UNITS
N-Channel Current Limit		Current regulation mode	935	1100	1265	mA
WLED_ Voltage Regulation Maximum		( $V_{WLED\_} - V_{WLEDGND}$ ) below dropout voltage level of highest string		50		mV
WLED_ Voltage Regulation Window		Nonskip mode		125		mV
		Skip mode		487.5		mV
WLEDPWM Input Frequency Range		External PWM input	5		60	kHz
WLEDPWM Input Duty Cycle Range			0		100	%
WLEDPWM Input Current Dimming Range		PWM Duty = 0% to 100%	0		25	mA
WLEDPWM Input Current		$V_{SYS} = 2.5V$ to $5.2V$ , $V_{WLEDPWM} = 0V$ and $5.2V$	-1		+1	$\mu A$
WLEDPWM Input Logic High		$V_{SYS} = 2.5V$ and $5.2V$	1.2			V
WLEDPWM Input Logic Low		$V_{SYS} = 2.5V$ and $5.2V$			0.4	V

## General, I2C, Logic, and Thermal

( $V_{SYS} = 3.7V$ ,  $V_{IO} = 1.8V$ ,  $T_A = -40^{\circ}C$  to  $+85^{\circ}C$ , unless otherwise noted. Typical values are at  $T_A = +25^{\circ}C$ .) (Note 2)

PARAMETER	SYMBOL	CONDITIONS	MIN	TYP	MAX	UNITS
Shutdown Supply Current	$I_{SYS}$	All circuits off		15	30	$\mu A$
<b>SYS INPUT RANGE</b>						
SYS Operating Voltage		Guaranteed by $V_{SYSUVLO}$ and $V_{SYSOVLO}$	2.8		5	V
SYS Undervoltage Lockout Threshold (SYS UVLO)		$V_{SYS}$ falling, 200mV hysteresis	2.45	2.5	2.55	V
SYS Overvoltage Lockout Threshold (SYS OVLO)		$V_{SYS}$ rising, 200mV hysteresis	5.2	5.36	5.52	V
Low SYS Thresholds		Range programmable via LSDAC register, $V_{SYS}$ falling	2.60		3.35	V
Low SYS Hysteresis		Range programmable via LSHYST register	100		400	mV
<b>THERMAL SHUTDOWN</b>						
Thermal Shutdown Threshold		$T_J$ rising		165		$^{\circ}C$
Thermal Shutdown Hysteresis				15		$^{\circ}C$
Thermal Interrupt 1				120		$^{\circ}C$
Thermal Interrupt 2				140		$^{\circ}C$

### General, I2C, Logic, and Thermal (continued)

( $V_{SYS} = 3.7V$ ,  $V_{IO} = 1.8V$ ,  $T_A = -40^{\circ}C$  to  $+85^{\circ}C$ , unless otherwise noted. Typical values are at  $T_A = +25^{\circ}C$ .) (Note 2)

PARAMETER	SYMBOL	CONDITIONS		MIN	TYP	MAX	UNITS
<b>LOGIC AND CONTROL INPUTS</b>							
SCL, SDA Input Low Level		$T_A = +25^{\circ}C$				$0.3 \times V_{IO}$	V
SCL, SDA Input High Level		$T_A = +25^{\circ}C$		$0.7 \times V_{IO}$			V
SCL, SDA Input Hysteresis		$T_A = +25^{\circ}C$			$0.05 \times V_{IO}$		V
SCL, SDA Logic Input Current		$V_{IO} = 3.6V$		-10		+10	$\mu A$
SCL, SDA Input capacitance					10		pF
SDA Output Low Voltage		Sinking 20mA				0.4	V
Output Low Voltage $\overline{RESET}$ , $\overline{INT}$		$I_{SINK} = 1mA$				0.4	V
$\overline{MRST}$ Input Low Level		$T_A = +25^{\circ}C$				0.4	V
$\overline{MRST}$ Input High Level		$T_A = +25^{\circ}C$		1.4			V
$\overline{MRST}$ Input Hysteresis		$T_A = +25^{\circ}C$			0.1		V
$\overline{MRST}$ Input Current		$V_{SYS} = 5.5V$	$T_A = +25^{\circ}C$	-2	0	+2	$\mu A$
			$T_A = +85^{\circ}C$		0.1		
Output High Leakage $\overline{RESET}$ , $\overline{INT}$		$V_{SYS} = 5.5V$	$T_A = +25^{\circ}C$	-1	0	+1	$\mu A$
			$T_A = +85^{\circ}C$		0.1		
Interrupt Debounce Filter Timer		LOWSYS			16		ms
$\overline{RESET}$ Deassert Delay					60		ms
Manual Reset Debounce Timer		The period between ( $\overline{MRST} = Low$ ) and automatic reboot start			3		s
					4		
					5		
					6		
					7 (default)		
					8		
					9		
					10		

**General, I2C, Logic, and Thermal (continued)**

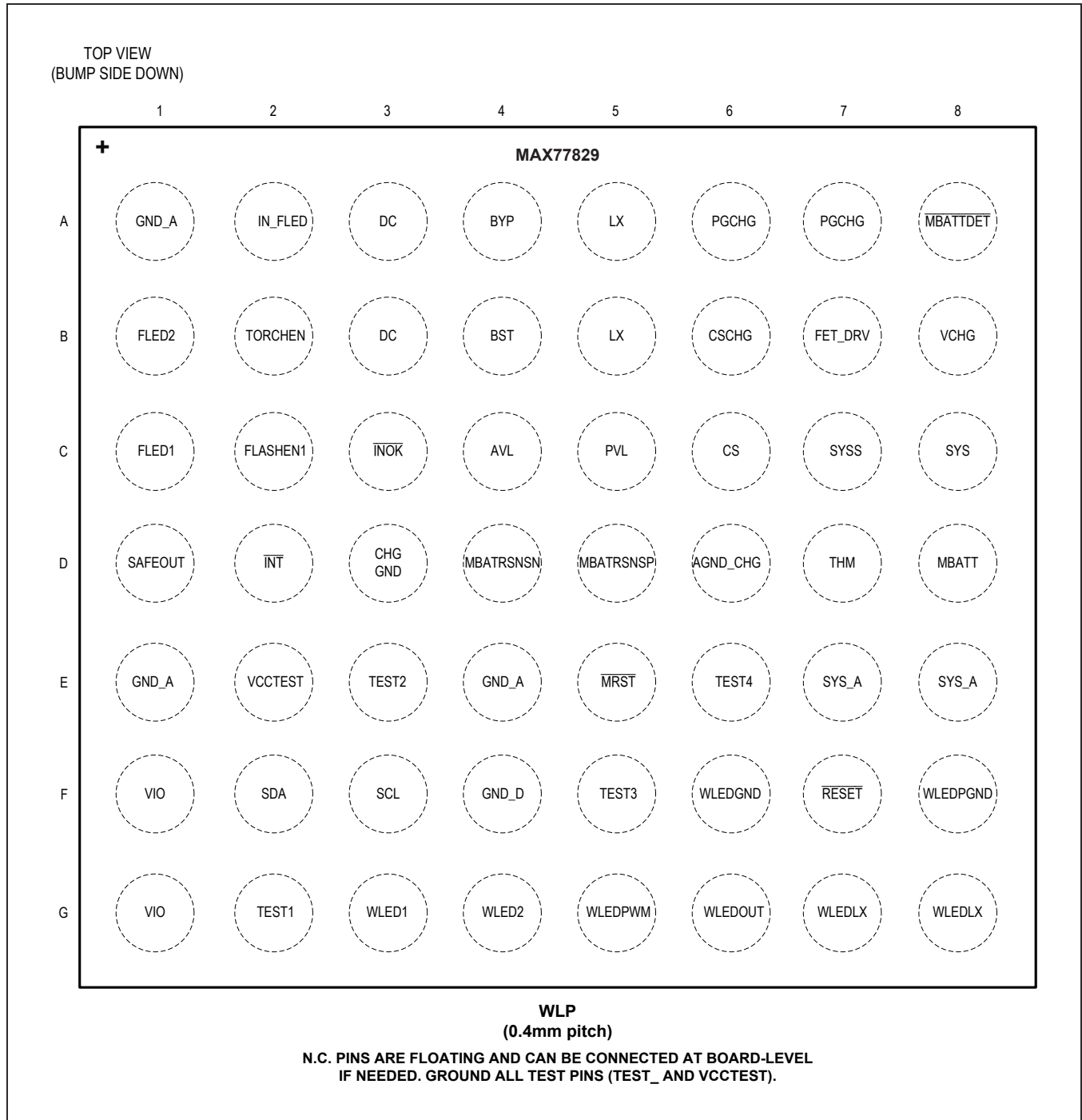
( $V_{SYS} = 3.7V$ ,  $V_{IO} = 1.8V$ ,  $T_A = -40^{\circ}C$  to  $+85^{\circ}C$ , unless otherwise noted. Typical values are at  $T_A = +25^{\circ}C$ .) (Note 2)

PARAMETER	SYMBOL	CONDITIONS	MIN	TYP	MAX	UNITS
<b>I<sup>2</sup>C INTERFACE (Note 3)</b>						
Clock Frequency			100		400	kHz
Bus-Free Time Between START and STOP			1.3			$\mu s$
Hold Time Repeated START Condition			0.6			$\mu s$
SCL Low Period			1.3			$\mu s$
SCL High Period			0.6			$\mu s$
Setup Time Repeated START Condition			0.6			$\mu s$
SDA Hold Time			0			$\mu s$
SDA Setup time			100			ns
Maximum Pulse Width of Spikes that Must be Suppressed by the Input Filter of Both SDA and SCL Signals				50		ns
Setup Time for STOP Condition			0.26			$\mu s$

**Note 2:** Limits are 100% tested at  $T_A = +25^{\circ}C$ . Limits over the operating temperature range and relevant supply voltage range are guaranteed by design and characterization.

**Note 3:** Note production tested. Guaranteed by design.

**Bump Configuration**



## Bump Description

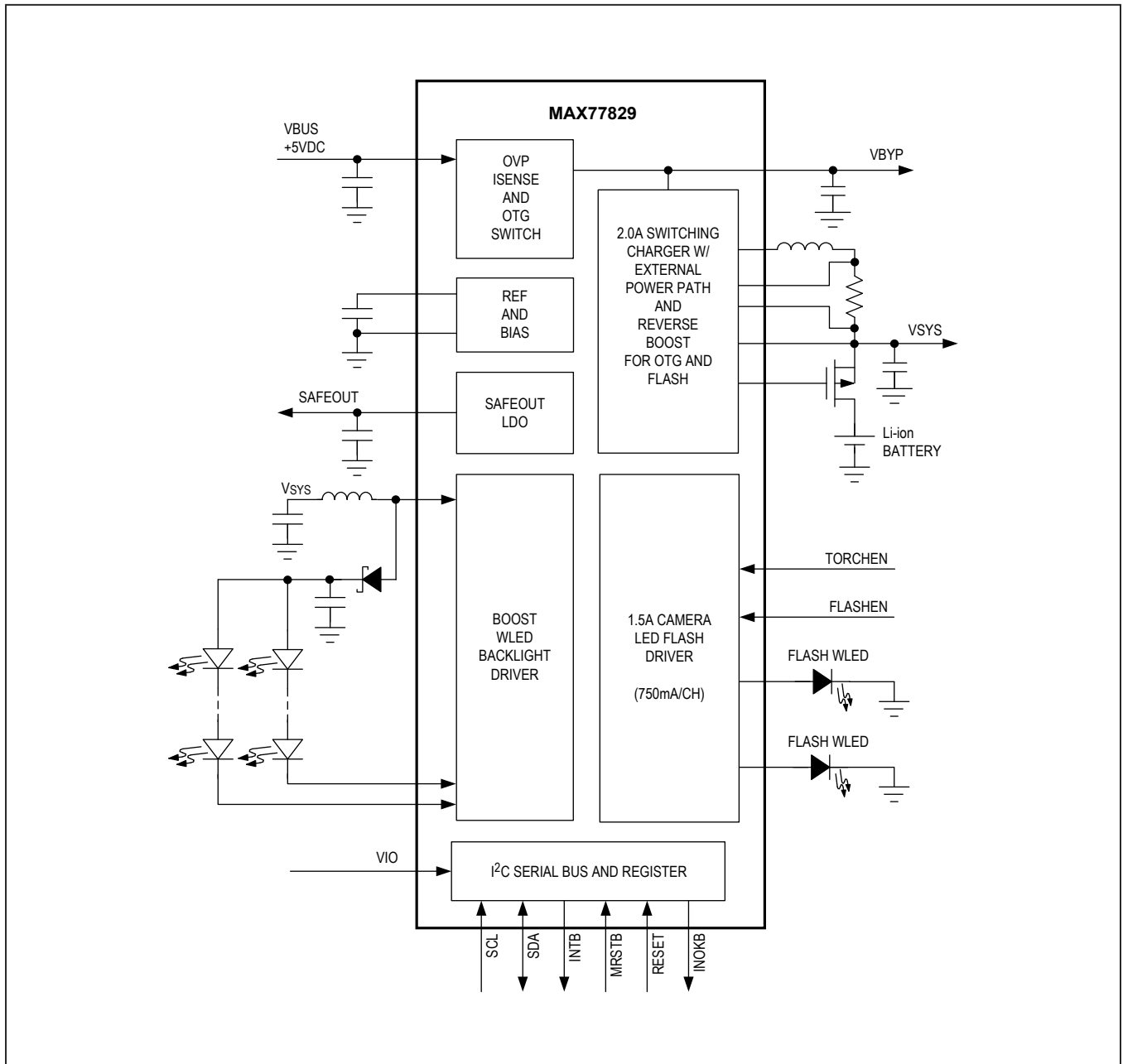
BUMP	NAME	FUNCTION
A3, B3	DC	High-Current Charger Input. Bypass to PGND with a 1 $\mu$ F/25V ceramic capacitor. Reverse Boost output.
A4	BYP	Connection Point Between Reverse Blocking MOSFET and High-Side Switching MOSFET. Bypass to PGND with a 4.7 $\mu$ F/25V ceramic capacitor. Reverse boost regulation node.
A5, B5	LX	Buck/Boost Inductor Connection. Connect the inductor between LXCHG and CS.
A6, A7	PGCHG	Power Ground for Charger Step-Down Low-Side FET.
A8	$\overline{\text{MBATDET}}$	Battery Detection Active-Low Input. Connect $\overline{\text{MBATDET}}$ to the ID pin on the battery pack. If $\overline{\text{MBATDET}}$ is pulled to ground, this indicates that the battery is present and the charger starts when valid DC power is present. $\overline{\text{MBATDET}}$ driven high or left unconnected indicates that the battery is not present and the charger will not start. $\overline{\text{MBATDET}}$ is pulled high to AVL through an internal 470k $\Omega$ resistor.
B4	BST	High-Side FET Driver Supply. Bypass BST to LXC with a 0.1 $\mu$ F ceramic capacitor.
B6	GSCHG	IC Substrate Ground
B7	FET_DRV	Battery FET Gate Driver
B8	VICHG	Charging Current Monitor
C3	$\overline{\text{INOK}}$	Charger Input Valid Logic Output Flag. Open-drain, active-low output that indicates when valid voltage is present at both CHGIN and SYS. This signal is often needed by the main PMIC or the applications processor.
C4	AVL	Internal Bias Regulator Quiet Analog Bypass Pin. Internal 10 $\Omega$ connection between PVL and AVL forms LP filter with a 4.7 $\mu$ F external bypass capacitor to GNDCHG.
C5	PVL	Internal Bias Regulator High-Current Output Bypass Pin. Supports internal noisy and high-current gate drive loads. Bypass to PGNDCHG with a minimum 4.7 $\mu$ F ceramic capacitor.
C6	CS	Charger Current Sense Positive Terminal
C7	SYSS	Charger Current Sense Negative Terminal and System Voltage Sense Terminal
C8	SYS	System Power For Linear Charger. Boost supply during startup.
D3	CHGIND	Charging Status Indication. Open-drain, active-low output that indicates when the charging is active.
D4	MBATRSNSN	Battery Current Sense Negative Terminal
D5	MBATRSNSP	Battery Current Sense Positive Terminal
D6	AGND_CHG	Charger Analog Ground
D7	THM	Battery Thermistor Terminal/Battery Detection
D8	MBATT	Battery Positive Terminal. Bypass to AGND with a 4.7 $\mu$ F ceramic capacitor.
C1	FLED1	Flash LED Current Source Output 1. Connect FLED1 to the Anode of a high-brightness LED and Cathode tied to the ground plane. FLED1 has an internal TBDk $\Omega$ resistor to GND.
B1	FLED2	Flash LED Current Source Output 2. Connect FLED2 to the Anode of a high-brightness LED and Cathode tied to the ground plane. FLED2 has an internal TBDk $\Omega$ resistor to GND.



## Bump Description (continued)

BUMP	NAME	FUNCTION
A2	IN_FLED	Flash LED Driver Input. Bypass to GND with 4.7µF ceramic capacitor.
B2	TORCHEN	Torch Mode Enable Active-High Logic Input. TORCHEN has on-chip 800kohm pull-down resistor.
C2	FLASHEN1	Flash Strobe #1 Enable Active-High Logic Input. FLASHEN1 has an internal 800kΩ pull-down resistor.
D1	SAFEOUT	Safeout LDO Output. Default 4.9V and on when CHGIN power is valid. Bypass with a 1µF ceramic capacitor to GND.
F6	WLEDGND	Ground for WLED Current Drivers
F8	WLEDPGND	Power Ground for WLED Boost Converter
G3	WLED1	Current Source Output for WLED1 Boost Converter String. When powering series LEDs, the anode of the LED string should connect to LED.
G4	WLED2	Current Source Output for WLED2 Boost Converter String. When powering series LEDs, the anode of the LED string should connect to LED.
G5	WLEDPWM	Content-Based Adaptive Brightness Control Input for LED Boost Converter. WLEDPWM accepts a logic-level PWM signal with a frequency range of 5kHz to 60kHz.
G6	WLEDOUT	Boost Converter Overvoltage Sense Input. Bypass WLEDOUT to WLEDPGND with a 1µF ceramic capacitor.
G7, G8	WLEDLX	WLED Switching Node
D2	INT	Interrupt Output. Active-low open-drain output.
E5	MRST	Manual Reset Input for Hardware Reset With Internal Timer
F1,G1	VIO	Digital I/O Supply Input for I <sup>2</sup> C Interface
F2	SDA	I <sup>2</sup> C Serial Data for MAX77829, Except the Fuel Gauge
F3	SCL	I <sup>2</sup> C Serial Clock for MAX77829, Except the Fuel Gauge
F7	RESET	Reset Output. Active-low open-drain output with timer. Provides manual reset capability to applications processors when the main PMIC is not already providing this function.
A1,E1 E4	GND_A	Analog Ground
E7, E8	SYS_A	Analog SYS Input. Share with SYS_Q
F4	GND_D	Digital Ground
E2	VCCTEST	Test Pin. Connect to ground.
E3	TEST2	Test Pin. Connect to ground.
E6	TEST4	Test Pin. Connect to ground.
F5	TEST3	Test Pin. Connect to ground.
G2	TEST1	Test Pin. Connect to ground.

Functional Diagram



## Detailed Description

### Main-Battery charger

The MAX77829 charger is a compact, high-frequency, high-efficiency switch-mode charger for a one-cell Lithium ion (Li+) battery with OTG capability and support to drive external p-channel MOSFET power-path. It delivers up to 2.0A of current to the battery from inputs up to 9.4V for DC and withstands transient inputs up to 22V. The typical 4MHz switch-mode charger is ideally suited for small portable devices such as headsets and ultra-portable media players because it minimizes component size and heat. The MAX77829 has programmable automatic input current limiting to protect upstream charging sources from collapsing. Upon request from the host processor, the MAX77829 can run its switching regulator in reverse to support USB 'On the Go' power, +5V at 500mA (default, up to 900mA with different factory setting).

The MAX77829 can manage two outputs independently, battery charging and system power. This allows immediate system operation under missing/deeply discharged battery conditions.

Battery protection features include low voltage prequalification, charge fault timer, die temperature monitoring, battery temperature monitoring and watchdog timer. The battery temperature monitoring adjusts the charge current and termination voltage for safe use of secondary lithium-ion batteries.

### Features

- Efficient 4MHz (typ) Switch Mode Charger Supporting 2.0A Charging Current Capability
- USB OTG Supports 500mA at +5V DC (Default Setting, up to 900mA with Different Factory Setting)
- External Power-Path P-MOSFET Driver for No/Dead Battery Support
- Digital Programming via I<sup>2</sup>C Interface:
  - Input Current Limit (Up to 2.0A)
  - Fast Charge Current (Up to 2.0A)
  - Termination Current
  - Restart Voltage
  - Safety Timer/Watchdog Timer
- High-Accuracy Voltage and Current Regulation
- Input Current Regulation:  $\pm 5\%$ (100mA, 500mA),  $\pm 10\%$ ( $\geq 1A$ ), Default 500mA
- Charger Voltage Regulation:  $\pm 0.5\%$  250C, Adjustable from 3.55V to 4.4V
- Fast Charge Current Regulation: 0.25A to 2.0A  $\pm 5\%$ , Default 500mA
- 22V Absolute Maximum Input Voltage Rating
- Up to +9.4V Maximum Operating Input Voltage
- Input Voltage Based Automatic Input Current Limit (AICL)
- Battery/System Load Current Sensing and Limiting
- JEITA Compliance Thermistor Monitoring of Battery Temperature and Adjust Charging Current and Voltage
- Battery Protection:
  - Reverse Leakage Protection Prevents Battery Drainage
  - Input/Output Overvoltage Protection
  - Battery Over Temperature Protection
  - Thermal Regulation and Shutdown
  - Battery Overcurrent Alarm
- System Voltage Regulator/Battery Charger with Power-Path:
  - External p-MOSFET Driver for Power-Path and Battery Charging
  - Supplement Mode to Delivery Current from Battery During Power -Path Operation
- Battery Presence Detection
- Interrupt Status Output
- Input/Output Overvoltage Protection
- Thermal Regulation Protection
- Charging Status Indicator

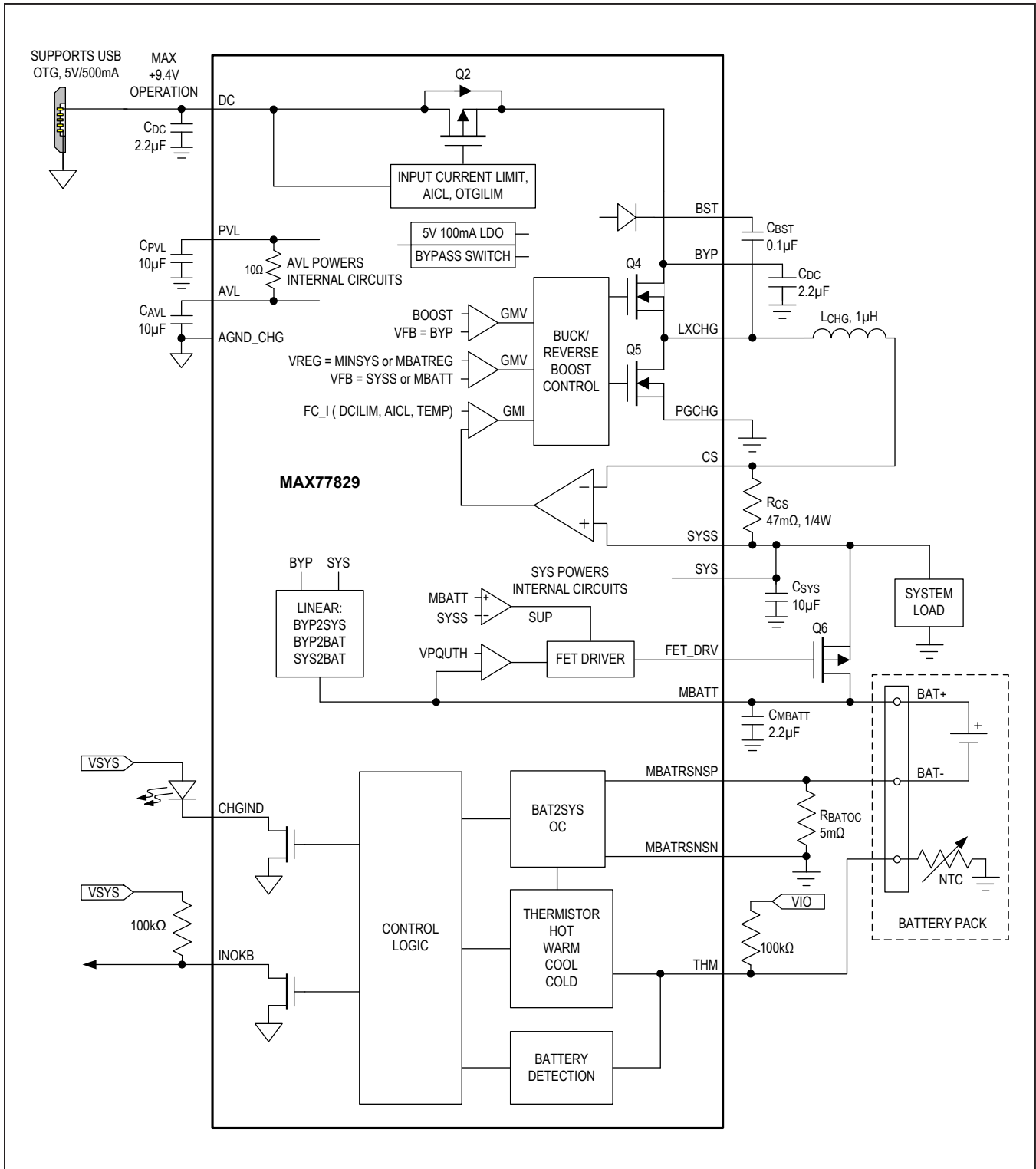


Figure 1. Main-Battery Charger Typical Application Circuit

### Inductor Selection

The charger operates with a switching frequency of 4MHz and uses a 1 $\mu$ H or 2.2 $\mu$ H inductor. This operating frequency allows the use of physically small inductors while maintaining high efficiency. The inductor's DC current rating only needs to match the maximum load of the application because the MAX77829 features zero current overshoot during startup and load transients. For optimum transient response and high efficiency, choose an inductor with DC series resistance in the 40m $\Omega$  to 120m $\Omega$  range. See [Table 1](#) below for suggested inductors and manufacturers.

### MBAT Capacitor Selection (C<sub>MBATT</sub>)

Choose the nominal MBAT capacitance (C<sub>MBATT</sub>) to be 2.2 $\mu$ F. The MBAT capacitor is required to keep the MBAT voltage ripple small and to ensure regulation loop stability. The MBAT capacitor must have low impedance at the switching frequency. Ceramic capacitors with X5R or X7R dielectric are highly recommended due to their small size, low ESR, and small temperature coefficients. For optimum load-transient performance and very low output voltage ripple, the MBAT capacitor value can be increased above 2.2 $\mu$ F.

As the case sizes of ceramic surface-mount capacitors decreases, their capacitance vs. DC bias voltage characteristic becomes poor. Due to this characteristic, it is possible for 0603 capacitors to perform well while 0402 capacitors of the same value perform poorly. The recommended nominal MBAT capacitance is 2.2 $\mu$ F, however, after initial tolerance, bias voltage, aging, and temperature derating, the capacitance must be greater than 1.5 $\mu$ F. With the capacitor technology that is available at the time the MAX77829 was released to production, the MBAT capacitance is best achieved with a single ceramic

capacitor (X5R or X7R) in a 0402 case size. The capacitor voltage ratings should be 6.3V or greater.

### SYS Capacitor Selection (C<sub>SYS</sub>)

Choose the nominal SYS capacitance (C<sub>SYS</sub>) to be 10 $\mu$ F. C<sub>SYS</sub> is the output capacitor for the step-down converter when charging. Alternatively, C<sub>SYS</sub> is the input capacitor for the stepup converter when it is operating in OTG mode. C<sub>SYS</sub> is required to keep the SYS voltage ripple small and to ensure regulation loop stability. In a typical application, SYS also powers many other elements the MAX77829 Power-SoC as well as system elements. Although the sum total of capacitance on SYS may be ~50 $\mu$ F it is critical that a local C<sub>SYS</sub> is provided to reduce the current loops created by the DC-DC.

C<sub>SYS</sub> must have low impedance at the switching frequency. Ceramic capacitors with X5R or X7R dielectric are highly recommended due to their small size, low ESR, and small temperature coefficients. For optimum load-transient performance and very low output voltage ripple, the MBAT capacitor value can be increased above 10 $\mu$ F.

As the case sizes of ceramic surface-mount capacitors decreases, their capacitance vs. DC bias voltage characteristic becomes poor. Due to this characteristic, it is possible for 0603 capacitors to perform well while 0402 capacitors of the same value perform poorly. The recommended nominal C<sub>SYS</sub> is 10 $\mu$ F, however, after initial tolerance, bias voltage, aging, and temperature derating, the capacitance must be greater than 6 $\mu$ F. With the capacitor technology that is available at the time the MAX77829 was released to production, the SYS capacitance is best achieved with a single ceramic capacitor (X5R or X7R) in an 0603 case size. The capacitor voltage ratings should be 6.3V or greater.

**Table 1. Suggested Inductors**

MANUFACTURER	SERIES	INDUCTANCE ( $\mu$ H)	ESR ( $\Omega$ )	CURRENT RATING (mA)	DIMENSIONS (mm)
Taiyo Yuden	MAKK2016	1	0.1	2500	2.0 x 1.6 x 1.0
TDK	TFA2016G	1	0.13	2500	2.0 x 1.6 x 1.0
TDK	MLP2520S	1.0	0.06	1500	2.0 x 2.5 x 1.0
TDK	VLS252012	1	0.105	2700	2.5 x 2.0 x 1.2
TOKO	MIPF2520	2.2	0.05	1500	2.5 x 2.0 x 1.0
TOKO	DFE252012C	1	0.06	2500	2.5 x 2.0 x 1.2
FDK	MIPSA2520D1R0	1.0	0.08	1500	2.5 x 2.0 x 1.2
Murata	LQM2HPN_G0	1.0	0.05	1600	2.5 x 2.0 x 0.6
Murata	LQM32PN1R0MG0	1	0.06	1800	3.2 x 2.5 x 0.9
Coilcraft	EPL2014	1.0	0.059	1600	2.0 x 2.0 x 1.4

### BYP Capacitor Selection ( $C_{BYP}$ )

Choose the nominal BYP capacitance ( $C_{BYP}$ ) to be 2.2 $\mu$ F.  $C_{BYP}$  is the input capacitor for the step-down converter when charging. Alternatively,  $C_{BYP}$  is the output capacitor for the reverse boost converter. Larger value of  $C_{BYP}$  improves the decoupling for the DC-DC converter, but may cause high DC to BYP inrush currents when an input adapter is connected. To limit the inrush current,  $C_{BYP}$  must be no larger than 4.7 $\mu$ F.

$C_{BYP}$  reduces the current peaks drawn from the input power source when charging. Similarly,  $C_{BYP}$  reduces the output voltage ripple of the stepup converter when it is operating in OTG mode. The impedance of the input capacitor at the switching frequency should be very low. Ceramic capacitors with X5R or X7R dielectric are highly recommended due to their small size, low ESR, and small temperature coefficients. To fully utilize the +22V input capability of the MAX77829, choose  $C_{BYP}$  to have a 25V or greater rating; many applications do not need to utilize the full input capability of the device and find that a 16V rating input capacitor is sufficient.

$C_{BYP}$  is a critical discontinuous current path that requires careful bypassing. In the PCB layout, place  $C_{BYP}$  as close as possible to the power pins (BYP and PGCHG) to minimize parasitic inductance. If making connections to  $C_{BYP}$  through vias, ensure that the vias are rated for the expected input current so they do not contribute excess inductance and resistance between the bypass capacitor and the power pins. The expected  $C_{BYP}$  current is the same as the ISAT (see the [Inductor Selection](#) section).

$C_{BYP}$  must meet the input ripple current requirement imposed by DC-DC converter. Ceramic capacitors are preferred due to their low ESR and resilience to surge currents. Choose the  $C_{BYP}$  capacitor so that its temperature rise due to ripple-current does not exceed approximately +10°C. For a step-down regulator, the maximum input ripple current is half of the output current. This maximum input ripple current occurs when the step-down converter operates as 50% duty cycle ( $V_{IN} = 2 \times V_{BAT}$ ).

### BST Capacitor Selection ( $C_{BST}$ )

Choose the nominal BST capacitance ( $C_{BST}$ ) to be 0.1 $\mu$ F.  $C_{BST}$  is part of a charge pump that creates the high-side gate drive for the DC-DC. If larger values of larger values of  $C_{BST}$  are used, ensure that CPVL is always 10 times larger than  $C_{BST}$ . The maximum expected working voltage of  $C_{BST}$  is the same as the PVL regulation voltage (~5V). However, it is recommended that the  $C_{BST}$  has at least 10V rating. With the capacitor technology that is available at the time the MAX77829 was released to production, it is possible to find a 10V ceramic 0.1 $\mu$ F 0201

capacitor however these devices are pushing the limits, and a 10V ceramic 0.1 $\mu$ F 0402 may be more cost effective and readily available.

### DC Input Capacitor Selection ( $C_{DC}$ )

Choose the nominal DC capacitance ( $C_{DC}$ ) to be 2.2 $\mu$ F.  $C_{DC}$  is intended to decouple a charge source and its parasitic impedance. Typically, the charger source at DC is a USB connector's  $V_{BUS}$ . Larger values of  $C_{DC}$  improve the decoupling of the charger source impedance; however, take care not to exceed the maximum capacitance allowed by the USB specification (i.e. 10 $\mu$ F and 50 $\mu$ C). Note that for the USB input capacitance specification,  $C_{DC}$  is effectively in parallel with  $C_{BYP}$  and therefore the sum of these two capacitances should be less than 10 $\mu$ F.

The impedance of the CDC at the DC-DC switching frequency should be very low. Ceramic capacitors with X5R or X7R dielectric are highly recommended due to their small size, low ESR, and small temperature coefficients. To fully utilize the +22V input capability of the MAX77829, choose CDC to have a 25V or greater rating; many applications don't need to utilize the full input capability of the device and find that a 16V or 10V rated input capacitor is sufficient.

### Charge Current Resistor Selection

Both the top-off current range and fast charge current range depends on the sensing resistor ( $R_{SNS}$ ). The recommended resistor value is 47m $\Omega$  0.125W  $\pm$ 2%.

$$P_{RSNS} = I_{CHARGE}^2 \times R_{SNS}$$

$$P_{RSNS} = (2.0A)^2 \times 0.047\Omega = 0.188W$$

Calculate the CC mode charge current step from the CHGCC voltage setting and sense resistor as follows:

$$I_{CHARGE\_CURRENT\_STEP} = \frac{V(CHGCC)}{R_{SNS}}$$

[Table 2](#) below shows the charge current settings for two sensing resistors.

**Table 2. Charge Current Settings for 47m $\Omega$  Sense Resistor**

BIT	$V_{I(REG)}$ (mV)	$I_{CHARGE}$ (mA) $R_{SNS} = 47m\Omega$
$V(CHGCC<11110>)$	70.5	1500
$V(CHGCC<10100>)$	47	1000
$V(CHGCC<01010>)$	23.5	500

Calculate the top-off charge current step as follows:

$$I_{\text{CHARGE\_CURRENT\_STEP}} = \frac{V(\text{TOP\_OFF})}{R_{\text{SNS}}}$$

Table 3 shows the top-off current settings for two sensing resistors.

### DC Input – Fast Hysteretic Step-Down Regulator

When a valid DC input is present, battery charging is supplied by the high-frequency step-down regulator from DC. The step-down regulation point is then controlled by three feedback signals: maximum step-down output current programmed by the input current limit, maximum charger current programmed for the fast charge current and maximum die temperature. The feedback signal requiring the smallest current controls the average output current in the inductor. This scheme minimizes total power dissipation for battery charging and allows the battery to absorb any load transients with minimum voltage disturbance.

A proprietary hysteretic current PWM control scheme ensures fast switching and physically tiny external components. The feedback control signal that requires the smallest input current controls the center of the peak and valley currents in the inductor. The ripple current is internally set to provide 4MHz operation. When the input voltage decreases near the output voltage, very high duty cycle occurs and, due to minimum off-time, 4MHz operation is not achievable. The controller then provides minimum off-time, peak current regulation. Similarly, when the input voltage is too high to allow 4MHz operation due to the minimum off-time, the controller becomes a minimum on-time, valley current regulator. In this way, ripple current in the inductor is always as small as possible to

**Table 3. Top-off Current Settings for 47mΩ Sense Resistor**

BIT	V <sub>(TOP-OFF)</sub>	I <sub>(TOP-OFF)</sub> (mA) R <sub>SNS</sub> = 47mΩ
V <sub>(Top-off&lt;-&gt;)</sub>	9.4	200
V <sub>(Top-off&lt;-&gt;)</sub>	4.7	100
V <sub>(Top-off&lt;-&gt;)</sub>	2.35	50

**Table 4. Suggested P-Channel MOSFET**

MANUFACTURER	PART NUMBER	PART DESCRIPTION	DIMENSIONS
Vishay	SiA443DJ	PFET, 20V, SC70 Power Pak	2.05mm x 2.05mm x 1.0mm = 4.2mm <sup>3</sup>
	Si4435DDY	PFET, 30V, SO-8	6.2mm x 5.0mm x 1.75mm
Fairchild	FDMA905P	PFET, 20V, SC70	2mm x 2mm x 1mm = 4mm <sup>3</sup>

reduce ripple voltage on Battery for a given capacitance. The ripple current is made to vary with input voltage and output voltage in a way that reduces frequency variation. However, the frequency still varies somewhat with operating conditions.

### Soft-Start

To prevent input current transients, the rate of change of the input current (di/dt) and charge current is limited. When the input is valid, the charge current ramps from 0mA to the fast-charge current value in 1.5ms. Charge current also soft-starts when transitioning from the prequalification state to the fast-charge state. There is no di/dt limiting when transitioning from the done state to the fast-charge state.

### PVL and AVL

As shown in Figure 1, AVL is the output of a 5V/100mA linear regulator when power from BYP is available. If only power from SYS is available, then PVL is connected to SYS with a bypass switch. When AVL is greater than 2.7V the internal control circuits for the charger are enabled. Connect a 10μF ceramic capacitor from AVL to AGND (CAVL). Powering external loads from AVL is acceptable, provided that they do not consume more than 100mA.

PVL powers the gate drivers and BST for the main-battery charger's step-down regulator, it also charges the BST capacitor. PVL is the filtered version of AVL. The filter consists of an internal 10Ω resistor and the PVL external bypass capacitor (10μF). This filter creates a 100kHz lowpass filter that cleans the 4MHz switching noise from the analog portion of the MAX77829. Connect a 10μF ceramic capacitor from PVL to PGCHG (CPVL). Powering external loads from PVL is NOT recommended.

### Thermistor Input (THM)

The THM input connects to an external negative temperature coefficient (NTC) thermistor to monitor battery or system temperature. Charging is suspended when the thermistor temperature is out of range. The charge timers are suspended and hold their state but no fault is indicated. When the thermistor comes back into range, charging resumes and the charge timer continues from where it left. Connecting THM to GND disables the thermistor monitoring function.

Since the thermistor monitoring circuit employs an external bias resistor from THM to AVL, the thermistor is not limited only to 10kΩ (at 25°C). Any resistance thermistor can be used as long as the value is equivalent to the thermistors +25°C resistance. For example, with a 10kΩ at RTB resistor, the charger enters a temperature suspend state when the thermistor resistance falls below 3.97kΩ (too hot) or rises above 28.7kΩ (too cold). This corresponds to 0°C to +50°C range when using a 10kΩ NTC thermistor with a beta of 3500K. The general relation of thermistor resistance to temperature is defined by the following equation:

$$R_{\text{THRM}} = R_{25} \times e^{\left( \beta \left( \frac{1}{T+273} - \frac{1}{298} \right) \right)}$$

Where:

$R_{\text{THRM}}$  = resistance in Ω of the thermistor at temperature T in °C.

$R_{25}$  = resistance in Ω of the thermistor at +25°C.

$\beta$  = material constant of the thermistor, which typically ranges from 3000K to 5000K.

T = temperature of the thermistor in °C.

Some designs might prefer other thermistor temperature limits. Threshold adjustment can be accommodated by charging  $R_{\text{TB}}$ , connecting a resistor in series and/or in parallel with the thermistor, or using a thermistor with different B. For example, a +45°C hot threshold and 0°C cold threshold can be realized by using a thermistor with a B to 4250K and connecting 120kΩ in parallel. Since the thermistor resistance near 0°C is much higher than it is near +50°C, a large parallel resistance lowers the cold threshold, while only slightly lowering the hot threshold. Conversely, a small series resistance raises the cold

threshold, while only slightly raising the hot threshold. Raising  $R_{\text{TB}}$ , lowers both the hot and cold threshold, while lowering  $R_{\text{TB}}$  raises both thresholds.

**Note that since AVL is active whenever valid input power is connected at DC, thermistor bias current flows at all times, even when charging is disabled. With a 10kΩ thermistor and a 10kΩ pullup to AVL, this results in an additional 250μA load. This load can be reduced to 25μA by instead using a 100kΩ thermistor and 100kΩ pull-up resistor.**

### Thermal Foldback

Thermal foldback maximizes the battery charge current while regulating the MAX77829 junction temperature. When the die temperature exceeds TREG, a thermal limiting circuit reduces the battery charge-current target until the charge current reaches 25% of the fast-charge current setting. The charger maintains 25% of the fast-charge current until the die temperature reaches TSHDN. Please note that the MAX77829 is rated for a maximum ambient temperature of +85°C. Furthermore, although the maximum die temperature of the MAX77829 is +150°C, it is common industry practice to design systems in such a way that the die temperature never exceeds +125°C. Limiting the maximum die temperature to +125°C extends long-term reliability.

### Boost Mode

When enabled as a boost converter, in the absence of a valid charger input, the DC-DC converter is allowed to operate as a boost converter. The boost output voltage is regulated to 5.1V. The boost switches at 4MHz and is capable of delivering up to 500mA. The processor must enable OTG mode by software via OTGEN bit. The reverse blocking switch allows the delivery of power to the charger input.

**Table 5. Calculated Values for Different Thermistors**

PARAMETER	VALUE						
$R_{\text{THM}}$ at $T_A = +25^\circ\text{C}$	10,000	10,000	10,000	47,000	47,000	100,000	100,000
Thermistor Beta ( $\beta$ )	3380	3940	3940	4050	4050	4250	4250
$R_{\text{TB}}(\Omega)$	10,000	10,000	10,000	47,000	47,000	100,000	100,000
$R_{\text{TP}}(\Omega)$	OPEN	OPEN	301,000	OPEN	1,200,000	OPEN	1,800,000
$R_{\text{TS}}(\Omega)$	SHORT	SHORT	499	SHORT	2,400	SHORT	6,800
Resistance at T1_n15(Ω)	61,788	61,788	77,248	290,410	380,716	617,913	934,027
Resistance at T1_0(Ω)	29,308	29,308	31,971	137,750	153,211	293,090	343,283



**Charger States**

The MAX77829 utilizes several charging states to safely and quickly charge batteries. Figure 2 shows an exaggerated view of a Li+/Li-Poly battery progressing through

the following charge states when the die and battery are close to room temperature: dead-battery → precharge → fast-charge → top-off → done.

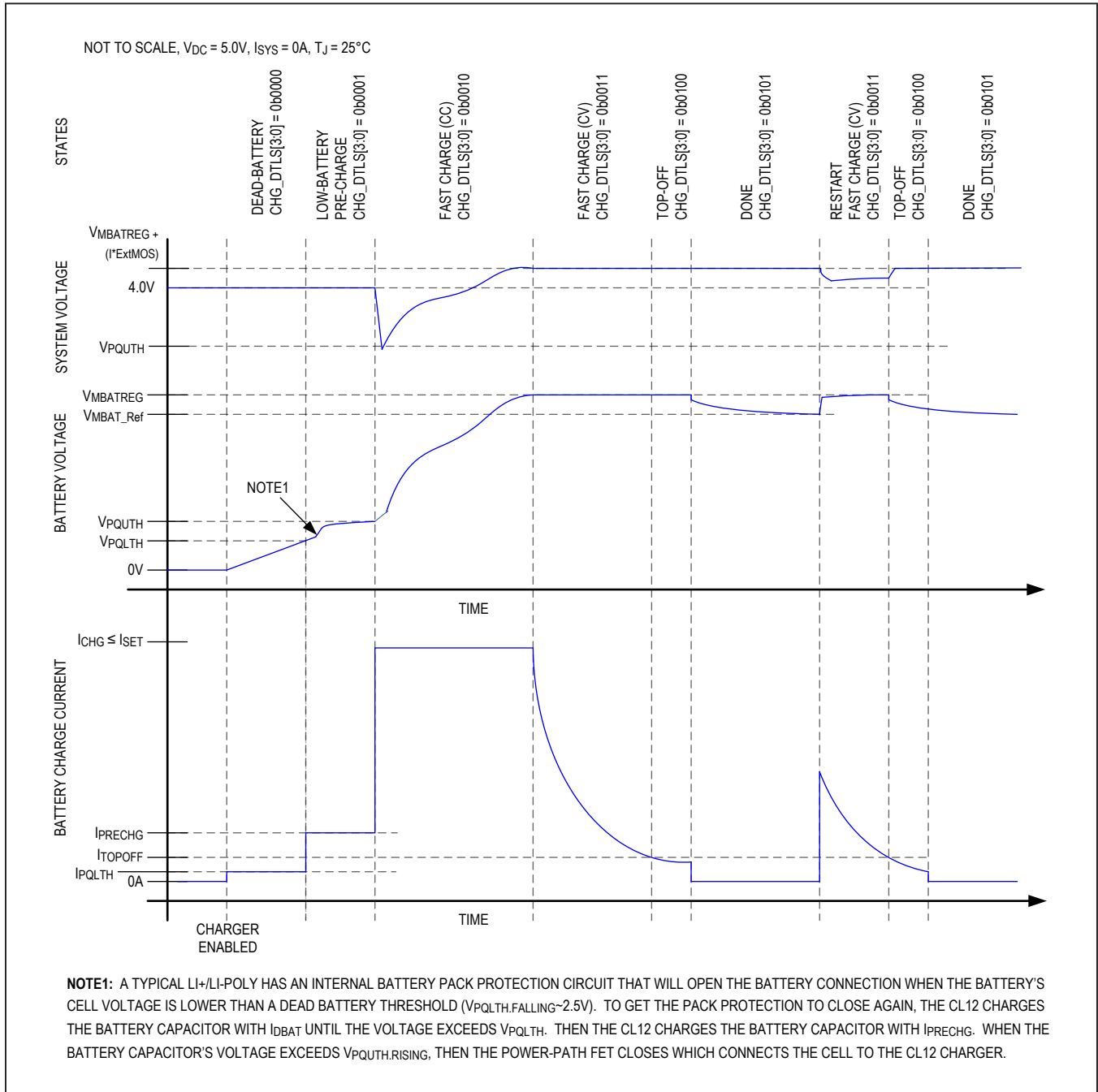


Figure 2. Li+/Li-Poly/LiFePO4 Charge Profile

### Charger Disabled State

When DC is low or the input voltage is out of range, the MAX77829 disables the charger. To exit this state, the input voltage must be within its valid range.

### Dead-Battery State

When a deeply discharged battery is inserted with a voltage of less than  $V_{PQLTH}$ , the MAX77829 disabled the switching charger and linearly charges with  $I_{PQLTH}$ . Once  $V_{BAT}$  increases beyond  $V_{PQLTH}$ , the MAX77829 transitions to the precharge state. This state prevents the MAX77829 from dissipating excessive power in the event of a shorted battery.

### Precharge State

The precharge state occurs when the battery voltage is greater than  $V_{PQLTH}$  and less than  $V_{PQUTH}$ .

In this state, the dead-battery linear and system to battery linear charger turns on to provide  $I_{PRECHG}$  current to SYS. If the MAX77829 remains in this state for longer than  $t_{PRECHG}$ , then the MAX77829 transitions to the timer fault state. A normal battery typically stays in the prequalification state for several minutes or less and when the battery voltage rises above  $V_{PQUTH}$ , the MAX77829 transitions to the fast-charge constant current state.

### Fast Charge Constant Current State

The fast-charge constant current state occurs when the battery voltage is greater than  $V_{PQUTH}$  and less than  $V_{BATREG}$ . In this state, the switching charger is on and delivering current to the battery. The total battery current is  $I_{FC}$ . If the MAX77829 remains in this state and the fast-charge constant voltage state for longer than  $t_{FC}$ , then the MAX77829 transitions to the timer fault state. When the battery voltage rises to  $V_{BATREG}$ , the MAX77829 transitions to the fast-charge constant voltage state. When JEITA is enabled ( $JEITA\_EN = 1$ ), the fast-charge constant current is set to 50% of programmed value when  $-10^{\circ}\text{C} < THM < 15^{\circ}\text{C}$ , and 100% of programmed value when  $15^{\circ}\text{C} < THM < 60^{\circ}\text{C}$ .

The MAX77829 dissipates the most power in the fast-charge constant current state. This power dissipation causes the internal die temperature to rise. If the die temperature exceeds  $T_{REG}$ ,  $I_{FC}$  is reduced.

If there is low input voltage headroom ( $V_{DC} - V_{MBAT}$ ), then  $I_{FCHG}$  decreases due to the impedance from IN to BAT.

### Fast Charge Constant Voltage State

The fast-charge constant voltage state occurs when the battery voltage is at the  $V_{MBATREG}[3:0]$  and the charge current is greater than  $I_{DONE}$ . In this state, the switching charge is on and delivering current to the battery. The MAX77829 maintains  $V_{BATREG}$  and monitors the charge current to detect when the battery consumes less than the DONE current. When the charge current decreases below the  $I_{DONE}$  threshold, the MAX77829 transitions to the top-off state. If the MAX77829 remains in the fast-charge constant current state for longer than  $t_{FCHG}$ , then the MAX77829 transitions to the timer fault state.

### Top-Off State

The top-off state occurs when the battery voltage is at  $V_{BATREG}$  and the battery current decreases below  $I_{DONE}$  current. In this state, the switching charger is on and delivers current to the battery. The MAX77829 maintains  $V_{BATREG}$  for a specified time. When this time expires, the MAX77829 transitions to the DONE state. If the charging current increases to  $I_{DONE} + 200\text{mA}$  before this time expires, then the charge reenters the fast-charge constant voltage state.

### Done State

The MAX77829 enters its done state after the charge has been in the top-off state for  $topoff$ . In this state, the switching charger is off and no current is delivered to the battery. If the system load presented to the battery is low  $\ll 10\mu\text{A}$ , then a typical system can remain in the done state for many days. If left in the done state long enough, the battery voltage decays below the restart threshold ( $V_{MBAT\_REF}$ ) and the MAX77829 transitions back into the fast-charge state. There is no soft-start (di/dt limiting) during the done-to-fast-charge state transition.

### Timer Fault State

The timer fault state occurs when either the prequalification or fast-charge timers expire. In this state, the charger is off. The charger can exit this timer fault state by cycling input power.

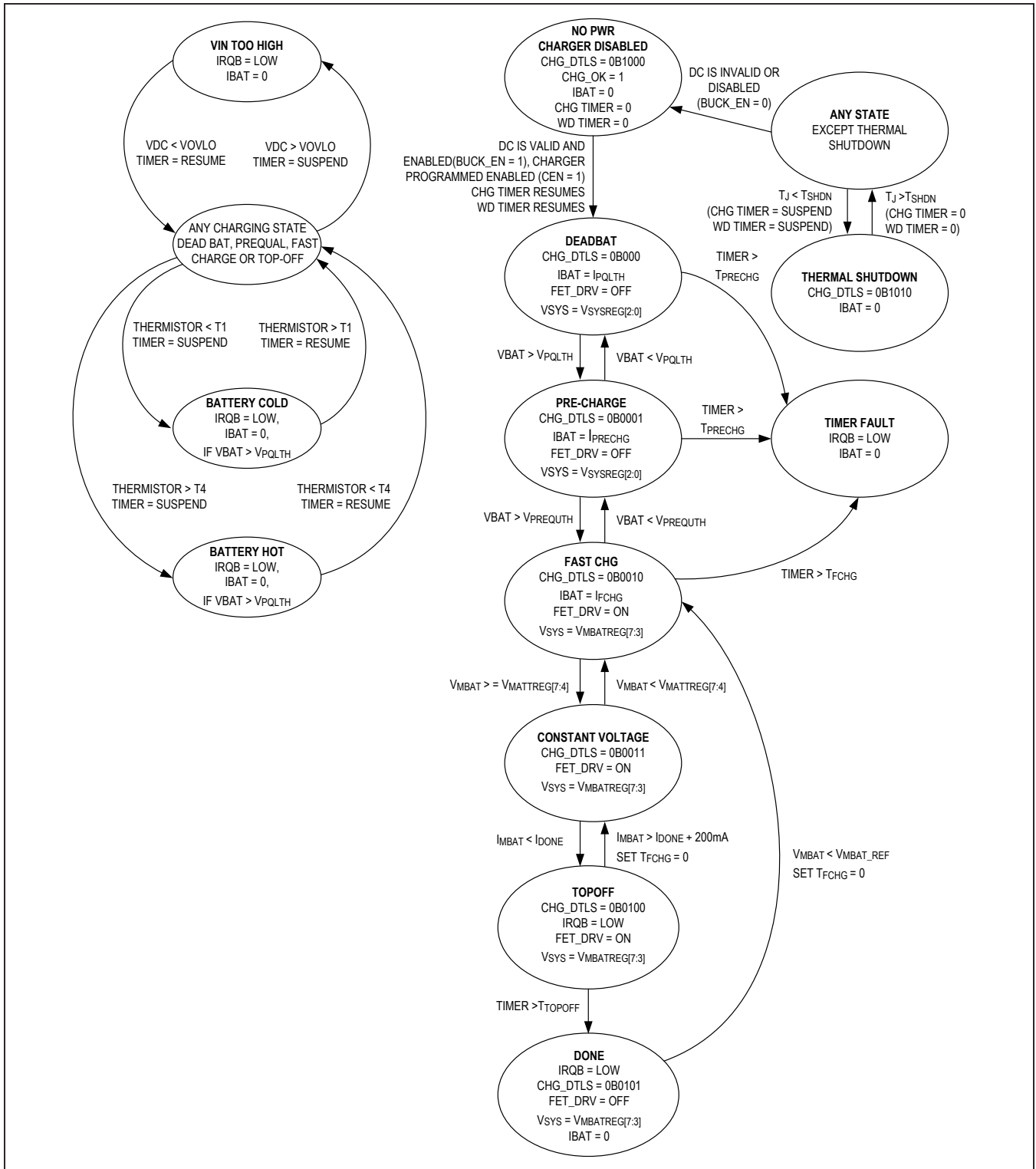


Figure 3. Charging State Diagram

### Input Current Limit

The default settings of the  $I_{DC\_ILIM}$  control bits are such that when a charge source is applied to DC, the MAX77829 will turn on its DC-DC converter in BUCK mode, limit  $V_{SYS}$  to  $V_{SYSMIN}$ , and limit the charge source current to 500mA. All control bits are reset on global shutdown.

### Automatic Input Current Limit (AICL)

The MAX77829 includes the Automatic Input Current Limit (AICL) feature for the DC input. The amplifiers required for sensing the currents and associated logic circuitry for making decisions and changing the battery-charger current are fully integrated in the ICs. This not only helps in reducing cost but also improves the speed of system response.

The MAX77829 AICL works by monitoring the current being drawn from DC and comparing it to the programmed current limit. The current limit is set based on the current-handling capability of the USB. Generally, this limit is chosen to optimally fulfill the system power requirements while achieving a satisfactory charging time for the batteries. If the AC-adaptor current exceeds the set threshold, the charger responds by cutting back on the charger current, thereby keeping the current drawn from the AC adapter within the set limit. This AICL feature allows for reducing the AC adapter size and cost. The input current limit has two control inputs, one based on voltage and one based on current. The voltage input monitors the input voltage, and when it drops below the desired input ( $V_{DC\_AICL}$ ), it generates a flag (AICL) to decrement the fast-charge current.

When the voltage comparator initially trips at  $V_{DC\_AICL}$ , fast-charge current decrements at a slow rate, allowing the charger output to settle until the voltage on DC returns above this voltage threshold. Once the DC voltage resolves itself, the current delivery of the adapter is maximized. In the event of a limited input current source, an example being a 500mA adaptor plugged into a 1A input current limit setting, a second voltage comparator set at  $V_{DC\_AICL} - 100mV$  triggers and throttles the fast-charge current to a minimum of 75mA. Once the DC voltage corrects itself to above  $V_{DC\_AICL}$ , the fast-charge level is

checked every 16ms to allow the system to recover if the available input power increases.

**The current-limit input monitors the current through the input FET and generates a flag (DC\_I) to decrement the fast-charge current when the input limit is exceeded. The fast-charge current is slowly decremented until the input-limit condition is cleared. At this point, the fast-charge current is maintained for 16ms and is then sampled again.**

### Battery Detection

The MAX77829 charger detects insertion and removal of battery packs under various conditions. When a valid power source is detected on DC pin, the battery detection state machine is enabled. The first task is to determine the type of detection method used for predicting battery present condition. The voltage level on the MBATDET pin is used to determine the presence of either a low-cost battery or a smart battery.

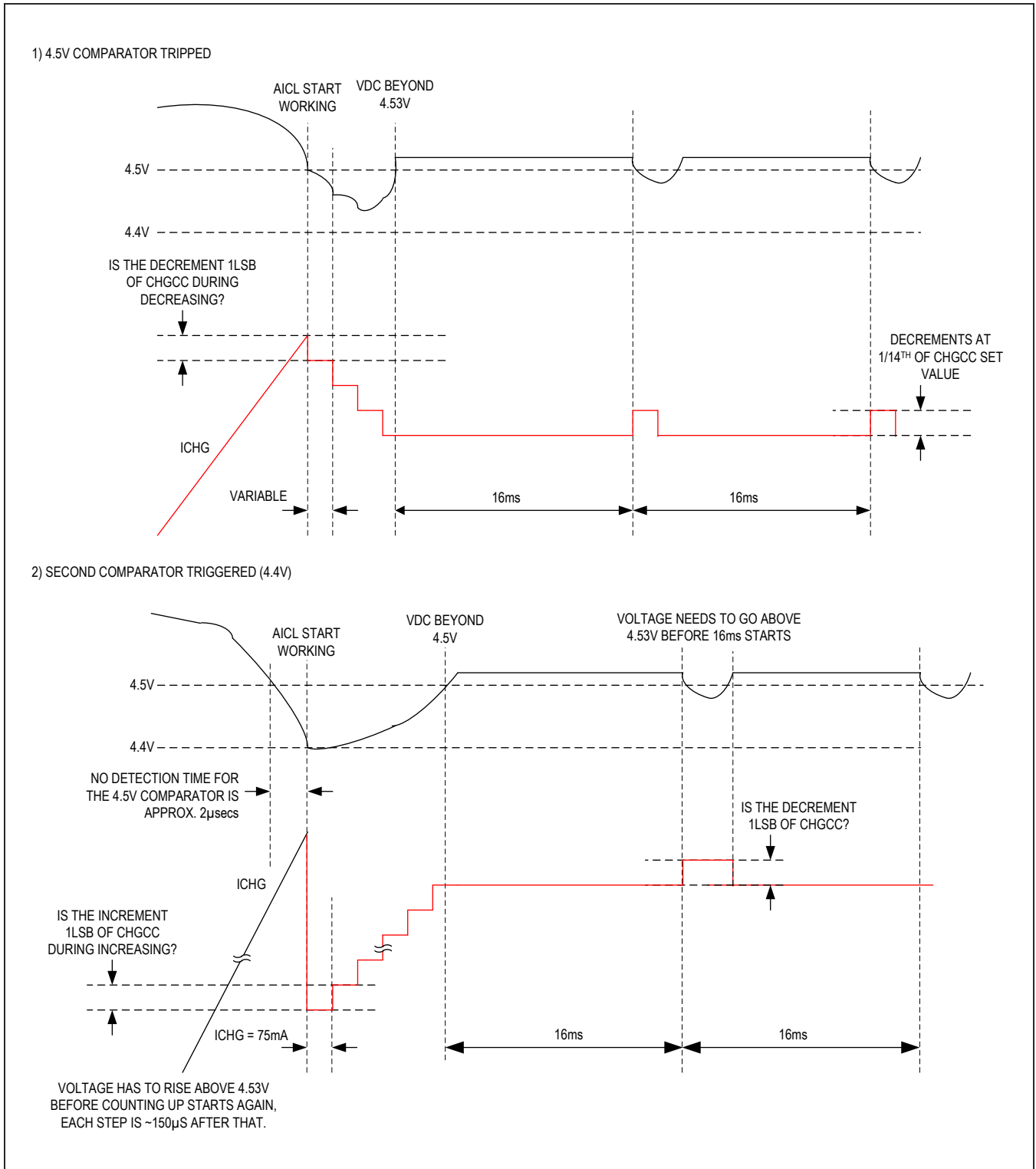
### JEITA Description

The MAX77829 safely charges a single Li+ cell in accordance with JEITA specifications. The MAX77829 monitors the battery temperature while charging and automatically adjusts the fast-charge current and/or charge termination voltage as the battery temperature varies.

In safety region 1, the MAX77829 automatically reduces the fast-charging current for  $T_{MBATT} < +10^{\circ}C$  and reduces the charge termination voltage from 4.200V ( $\pm 25mV$ ) to 4.075V ( $\pm 25mV$ ) for  $T_{MBATT} > +45^{\circ}C$ . The fast-charge current is reduced to 50% of the nominal fast-charge current. When battery charge current is reduced by 50%, the timer is doubled.

In safety region 2, the IC automatically reduces the charge termination voltage from 4.200V ( $\pm 25mV$ ) to 4.075V ( $\pm 25mV$ ) for  $T_{MBATT} < +10^{\circ}C$  and for  $T_{MBATT} > +45^{\circ}C$ . The fast-charge current is not changed in safety region 2.

The customer can disable T2 and T3 temperature scaling for voltage and current by programming JEITA\_EN bit to disable (JEITA\_EN=0). In this case, only T1 and T4 temperature region will be enabled.



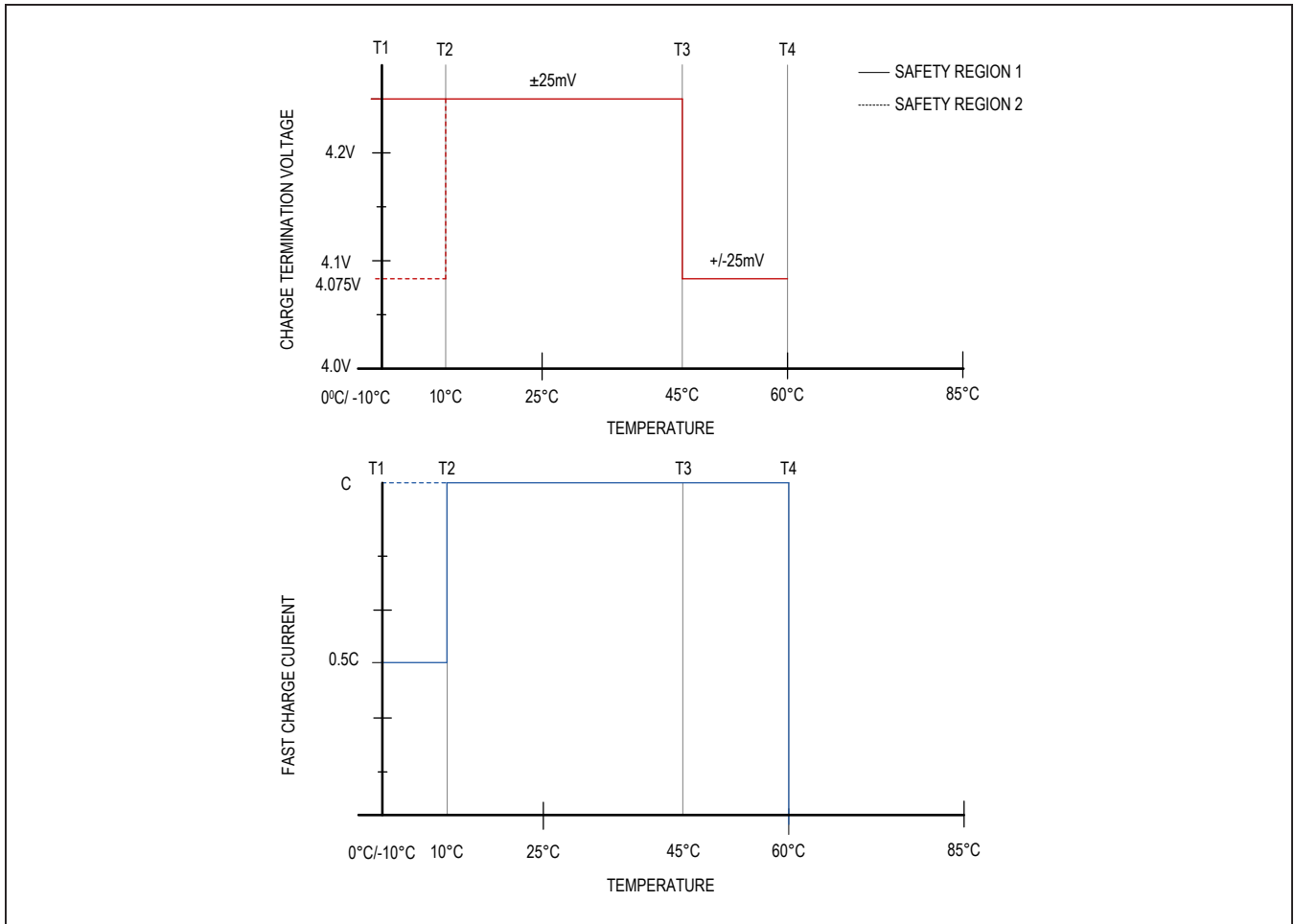


Figure 5. JEITA Safety Region

## LED Flash Driver

### Description

The flash driver integrates an adaptive PWM step-up DC-DC converter (shared with switch-mode charger module) and two high-side current regulators capable of delivering up to 750mA/ch for flash applications and 187.5mA/ch for torch mode. A serial interface controls the step-up output voltage setting, the torch/flash current, and the torch/flash timers. When valid  $V_{DC}$  is present, flash LED driver operates only when  $V_{DC} < V_{DC\_V}$ .

### Features

- Step-Up DC-DC Converter
  - Adaptive Regulation for Driving The LED Directly
  - See the Charger Section for Feature List
- FLASH Current Regulator
- 2x High-Side Current Regulators Simplifies PCB Heat Sinking
- Low Dropout Specification 160mV (typ) at 750mA
- I<sup>2</sup>C Programmable Flash Output Current (11.72mA to 750mA in 64 steps) Per Channel
- I<sup>2</sup>C Programmable Torch Output Current (11.72mA to 187.5mA in 16 steps) Per Channel
- Programmable Flash Safety Timer (62.5ms to 1000ms in 16 steps) – This Timer Cannot Be Disabled
- Programmable Torch Timer (262ms to 15.728s in 16 steps) – or Continuous Torch Current (Disable Option On The Torch Timer)
- MaxFlash System Lock-up Protection
- Open/Short LED Protection
- Dedicated FLASHEN and TORCHEN Inputs

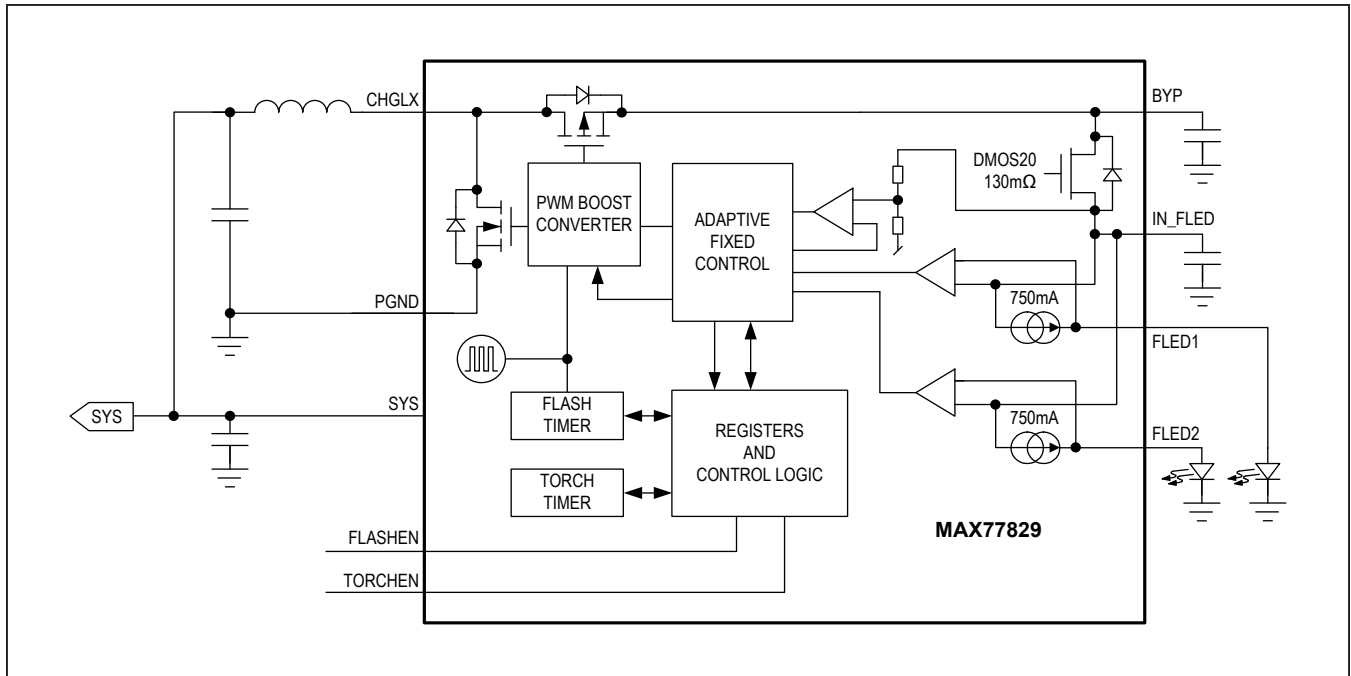


Figure 6. Functional Diagram for Charger Reverse Boost Converter and Current Sources

### Boost Converter

The MAX77829 flash driver integrates an adaptive PWM step-up DC-DC converter (shared with switched mode charger module) and two high-side current regulators capable of delivering up to 750mA each, for flash applications. The serial interface controls individual output on/off, the step-up output voltage setting, the torch/flash current, and the torch/flash timer duration settings.

### Current Source (FLED1 and FLED2)

The MAX77829 provides two high-side, low-dropout, linear current regulators. The LED current regulators can operate in either Torch or Flash mode. Each current source is programmable and regulated up to 375mA in Torch mode and up to 750mA in Flash mode. FLED current is programmable with 23.436mA/LSB resolution in Torch and Flash modes.

Torch mode can be enabled either using the serial interface or by logic control using the TORCHEN or FLASHEN inputs. See the description of the FLASH\_EN register for more information about programming the FLED enable behavior. Torch mode provides continuous lighting when enabled. The time duration is controlled through the Torch timer, enabling the user to limit the duration of torch light

from 0.262s to 15.73s, or enabled indefinitely, allowing the user to keep the LED on as long as a movie is being recorded.

Flash mode can also be enabled either using the serial interface or by logic control using the TORCHEN or FLASHEN inputs. See the description of the FLASH\_EN register for more information about programming the FLED enable behavior. Flash mode provides a limited-duration light pulse for camera functions. In Flash mode, the time duration is limited by an internal timer (FLASH\_TMR\_DUR[3:0]). See the [Flash Safety Timer](#) section for greater detail on this function. The output current in Flash mode is programmable from 23.436mA to 750mA. The settings above 625mA are allowed only if FLEDNUM = 0.

If both Flash and Torch modes are enabled at the same time, Flash mode is assigned with higher priority. Once the flash event is done, the current regulator will then return to torch mode, if this mode is still enabled via software.

When the flash LED current ramps up via (1) toggle FLASHEN or TORCHEN pins; (2) set TORCH\_FLED\_EN or FLASH\_FLED\_EN bits; (3) set TORCH\_I or FLASH\_I register values from a lower value to a higher value; atypical 12.5mA/μs of di/dt rate is applied on the flash LED current during the current transition.

**Flash Mode**

In Flash mode, each LED current source provides from 23.436mA to 750mA of output current. Flash mode can be enabled by driving FLASHEN or TORCHEN high or through the serial interface, depending on register settings. Flash duration is also programmable through the serial interface.

**FLASHEN/TORCHEN**

The FLASHEN or TORCHEN logic inputs or the serial interface can enable/disable the FLED\_ current regulator in Flash Mode and in Torch Mode.

If the FLED is enabled for both Torch and Flash mode at the same time, Flash mode has priority. Once the Flash safety timer expires, the current regulator then returns to Torch mode. If the safety timer is disabled, Torch mode current continues until disabled through the serial interface.

Configuring how the LED responds to FLASHEN or TORCHEN is accomplished by setting bits in the FLASH\_EN register.

**Flash Safety Timer**

The Flash safety timer is activated any time Flash mode is enabled. The Flash safety timer, programmable from 62.5ms to 1000ms via serial interface, limits the duration of Flash mode to the programmed Flash safety timer duration. This timer can be configured to operate either as a one-shot timer or maximum flash duration timer. In one-shot mode, the flash function is initiated on the rising edge of FLASHEN, TORCHEN, or the serial register bits and terminated based on the programmed value of the safety timer (see Figure 7). In maximum flash timer mode, flash function remains enabled as long as FLASHEN, TORCHEN, or the serial register command is high, unless the pre-programmed safety timer times out (see Figure 8).

Once Flash mode is disabled, by the FLASHEN or TORCHEN logic inputs, register command, or Flash safety timer, the flash must be off for a minimum flash debounce timer (500µs – 600µs), before it can be reinitiated (see Figure 11). This prevents spurious events from re-enabling Flash mode. This time is described in the [Electrical Characteristics](#) table as the Flash Safety Timer Reset Inhibit Period.

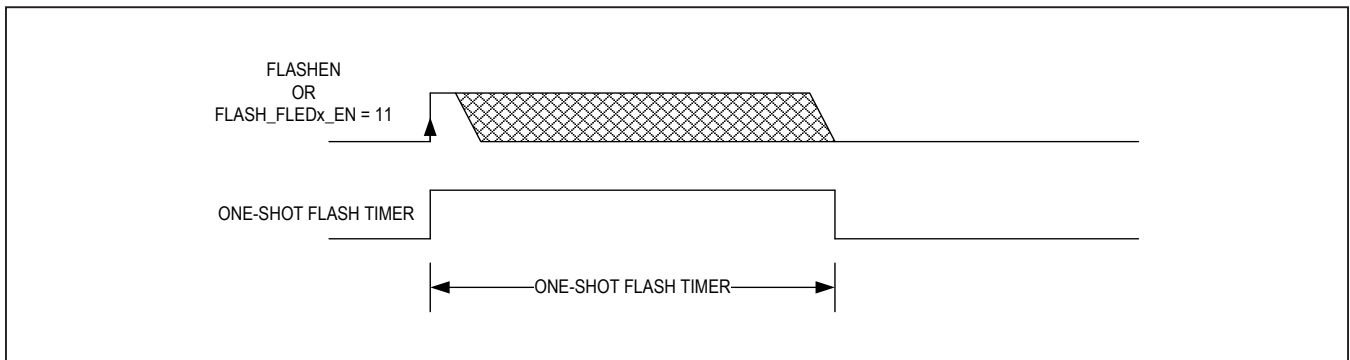


Figure 7. One Shot Flash Timer Mode

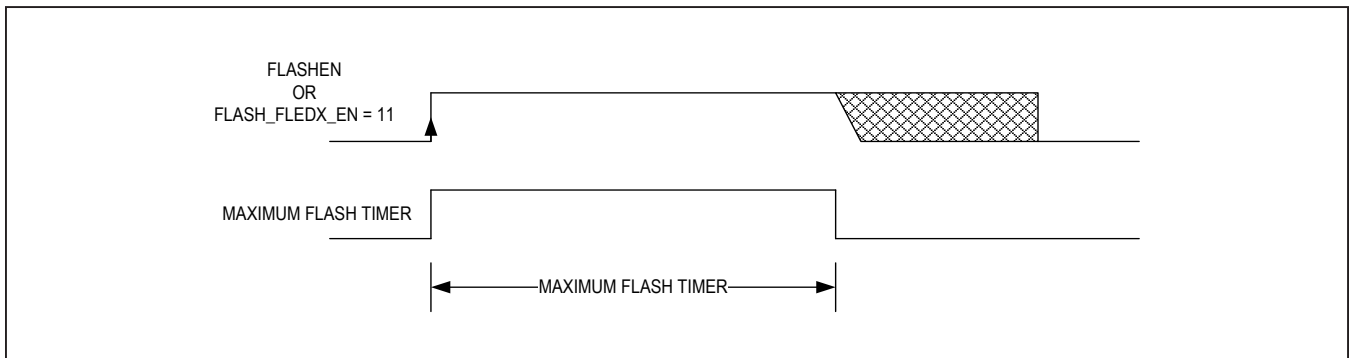


Figure 8. Maximum Flash Timer Mode



**Torch Mode**

In Torch mode, the LED current source provides from 11.72mA to 3187.5mA of output current for each channel. Torch mode is enabled through the TORCHEN or FLASHEN inputs or through the serial interface. Torch mode duration is programmable through the serial interface, and can be programmed to remain on indefinitely.

**Enabling Torch Mode**

The current sources in Torch mode is independently enabled either through the TORCHEN or FLASHEN inputs or through the serial interface as programmed by the TORCH\_FLED\_EN bits in the FLASH\_EN register. If Flash mode and Torch mode are enabled at the same time, Flash mode is given the higher priority.

**Torch Safety Timer**

The Torch safety timer is activated any time Torch mode is enabled and the Torch Safety Timer Disable bit is set to 0.

The torch safety timer, programmable from 262ms to 15.7s via the serial interface, limits the duration of Torch mode to the programmed Torch safety timer duration. This timer can be configured to operate either in one-shot timer or maximum torch duration timer. In one-shot mode, the torch function is initiated on the rising edge of the TORCH\_FLED\_EN register bit or TORCHEN or FLASHEN inputs and terminated based on the programmed value of the safety timer (see Figure 10). In maximum torch timer mode, torch function remains enabled as long as TORCH\_FLED\_EN is a '11' or TORCHEN or FLASHEN is held high, unless the preprogrammed safety timer times out (see Figure 11).

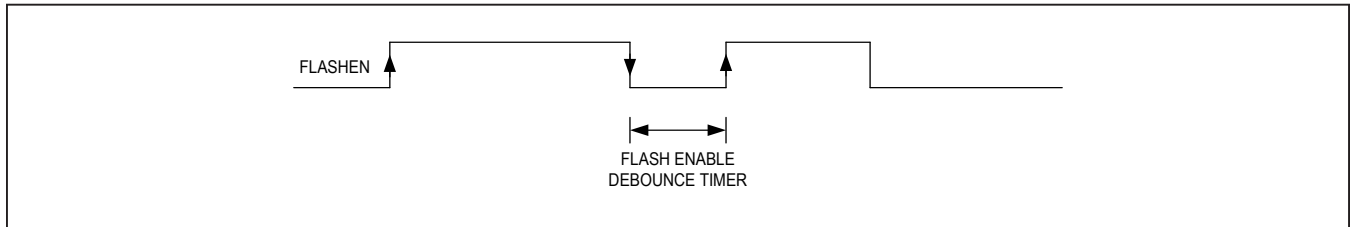


Figure 9. Flash Debounce Timer

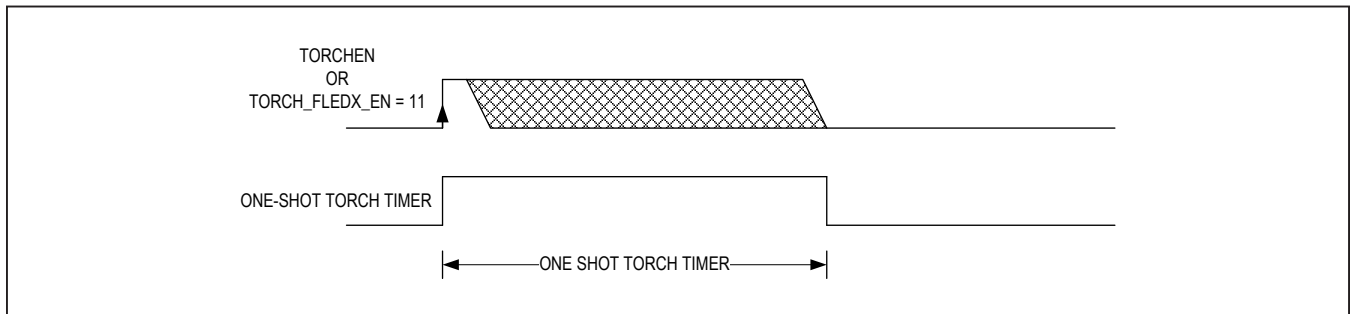


Figure 10. One Shot torch Timer Mode

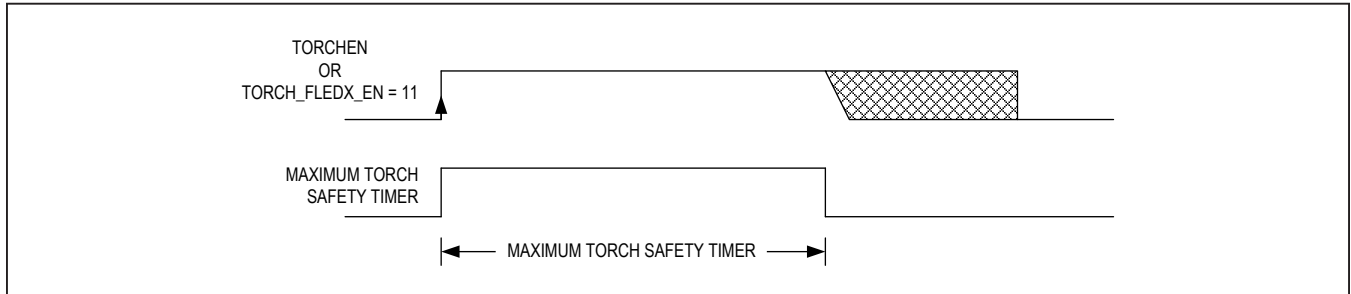


Figure 11. Maximum torch Timer Mode

The Torch safety timer can be disabled by setting the Torch safety timer disable bit to 1. In this case, the FLEDs will stay lit in Torch mode until the enable command (TORCHEN, FLASHEN, or serial interface) is deasserted, or Flash mode is initiated (since Flash mode has higher priority than Torch mode).

**MAXFLASH Function**

Note that MAXFLASH will detect a drop on  $V_{SYS}$  and not  $V_{BATT}$ .

During high load currents of a battery cell, the voltage will momentarily drop due to internal ESR of the battery, together with series impedance from the battery to the load. For equipment requiring a minimum voltage for stable operation, the ESR of the battery needs to be calculated in order to estimate maximum current that can

be drawn from the battery without making the cell voltage drop below this critical threshold. If this is not done, the power-down voltage will have to be set artificial high, reducing run time of the battery-operated equipment.

For applications like camera flash, movie light, or torch light the ESR of the system needs to be measured to calculate the maximum current that can be consumed by the flash to insure that at the end of the flash the battery voltage has not dropped below the minimum required battery voltage for the remaining system.

Since the ESR of a battery cell is dependent on load current, temperature, age of cell, and other parameters this ESR measurement has to be done during the start of each event in order to ensure that the current ESR of the battery cell is correct.

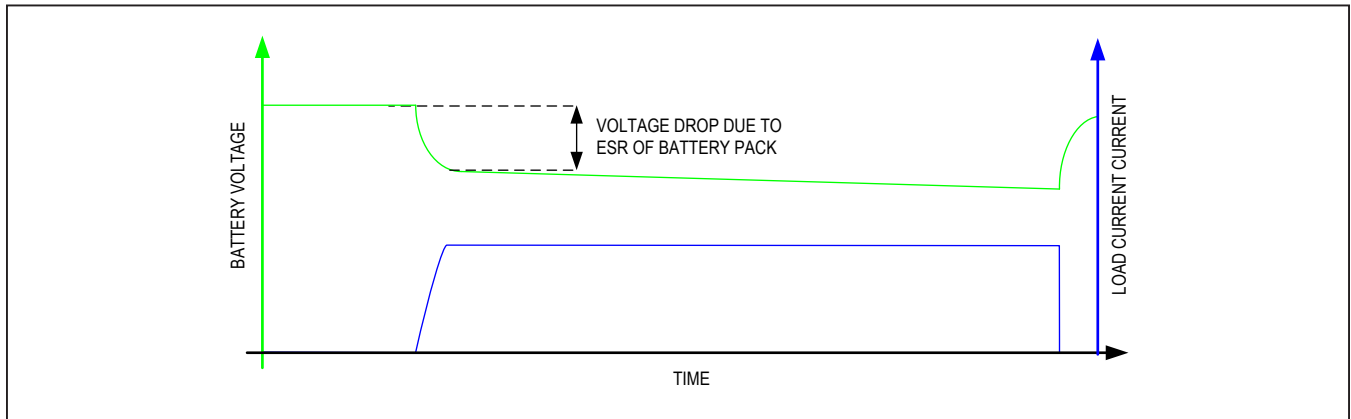


Figure 12. Voltage Drop Due to Battery ESR

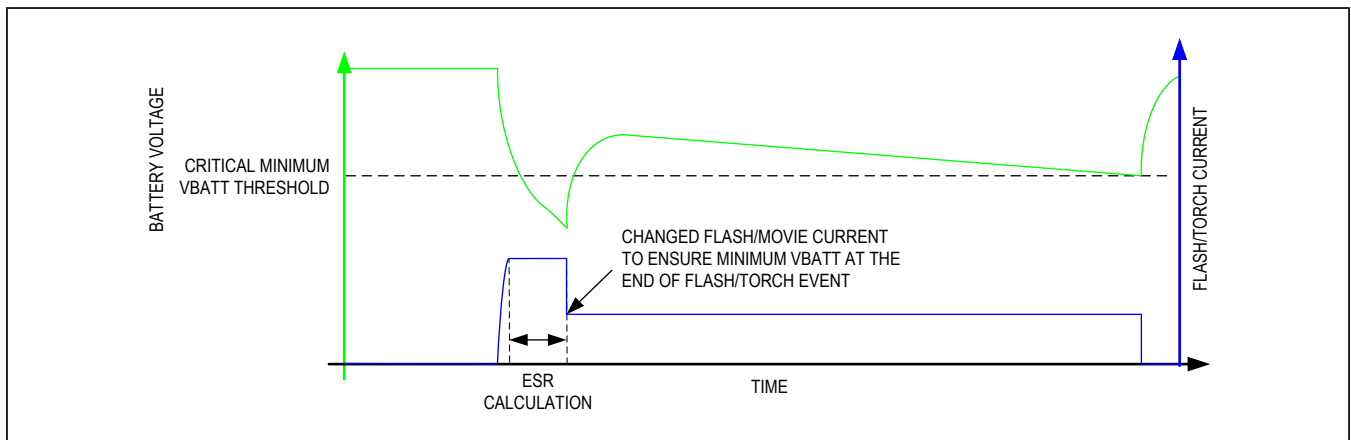


Figure 13. Using ESR Calculation to Insure Minimum Battery Voltage at the End of FLASH/TORCH Event Normal Case

In most cases, the camera flash is triggered by the camera module itself. Therefore, the ESR measurement of the battery has to be measured in real time during the initial flash event.

Since most systems contain many complex functions that are operated independent of each other, the current load might change during the FLASH/TORCH duration.

If another application within the system starts significantly drawing more current during the FLASH/TORCH duration, this can cause the battery voltage to drop below the

minimum required battery voltage for the system, hence causing spurious events.

On the other hand, if an application is going from a high-current mode to a lower current mode during the FLASH/TORCH event, the battery voltage at the end of the FLASH/TORCH duration will be above the minimum battery voltage. This means that the actual FLASH/TORCH current could have been set higher for the remaining duration, allowing highest possible output current to be utilized.

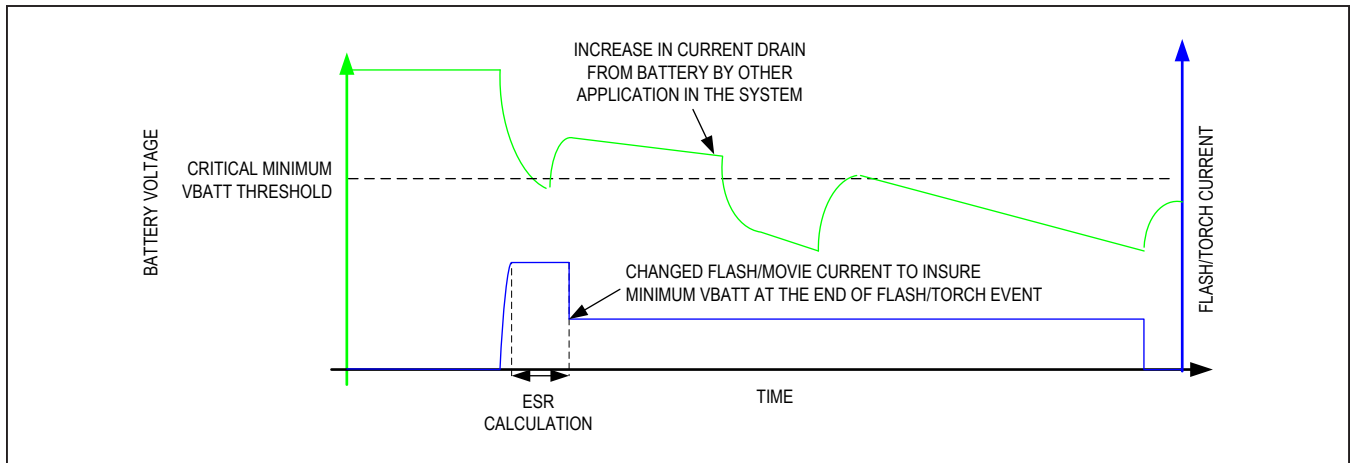


Figure 14. Using ESR Calculation to Ensure Minimum Battery Voltage at the End of FLASH/TORCH Event, with an Additional Load Event During the FLASH/TORCH Event

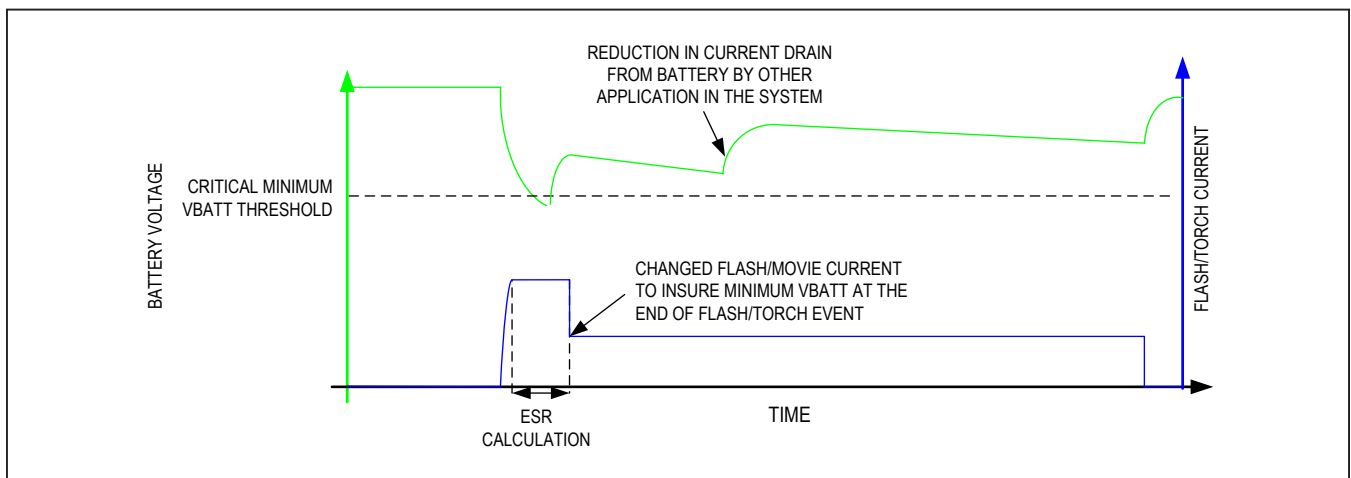


Figure 15. Using ESR Calculation to Ensure Minimum Battery Voltage at the end of FLASH/MOVIE Event with Load Release During FLASH/MOVIE Event

To avoid having to measure the ESR of the battery cell and still achieve the goal of insuring that the battery voltage does not drop below a predefined threshold, an alternative circuit can be used.

During a FLASH/TORCH event, the input voltage of the device is monitored (input Kelvin-connected to the battery cell, referred to as  $V_{BATT}$ ). If the input voltage drops below a predefined threshold, referred to as  $MAXFLASH\_TH$ , this is an indication that the FLASH/TORCH event is drawing more current than the battery can support.

As a reaction to this event, the current regulator driving the FLASH/TORCH will reduce output current in one step. This will reduce the input current, hence reducing the current drawn from the battery. Since the battery current is now reduced,  $V_{BATT}$  will start to rise due to the internal ESR of the battery cell.

The current regulator will then implement a user-defined delay, referred to as  $t_{LB\_TMR\_F}$ , for falling edge detection and  $t_{LB\_TMR\_R}$  for rising edge detection. The  $V_{BATT}$  is then sampled again and compared to the  $MAXFLASH\_TH$ . If  $V_{BATT}$  is still below this  $MAXFLASH\_TH$  threshold the current regulator will reduce output current once again to insure that minimum  $V_{BATT}$  is available for the remaining of the system. If  $V_{BATT}$  is above the  $MAXFLASH\_TH$  threshold plus a user-defined hysteresis, referred to as

$MAXFLASH\_HYS$ , the current regulator will increase the output current one step, only if present output current is less than user-defined output current. If the  $MAXFLASH\_HYS$  event is set to "000" then the flash current will only be reduced as a result of the low system voltage regardless if the voltage recovers again. The LED current is not allowed to increase again.

This will continue for the entire duration of the FLASH/TORCH event, ensuring that the FLASH/TORCH output current is always maximized for the specific operation conditions.

**Open/Short Protection**

The flash module monitors the FLED voltage to detect any open or short LEDs. An open fault is detected when the voltage on FLED rises above  $V_{BYP} - 30mV$  (typ) for 8ms (typ), and short fault is detected when the voltage on FLED drops below 1.0V (max) (referenced to GND) for 1ms (typ). The fault detection provides a continuous monitor of the current regulator's status. Once a fault is detected, the current regulator is disabled and the status is latched into the interrupt register bit. This allows the processor to determine the operating condition of the MAX77829. Depending on the state of the interrupt mask bits, the MAX77829 can pull down on the  $\overline{INT}$  pin when the flash open/short interrupt occurs.

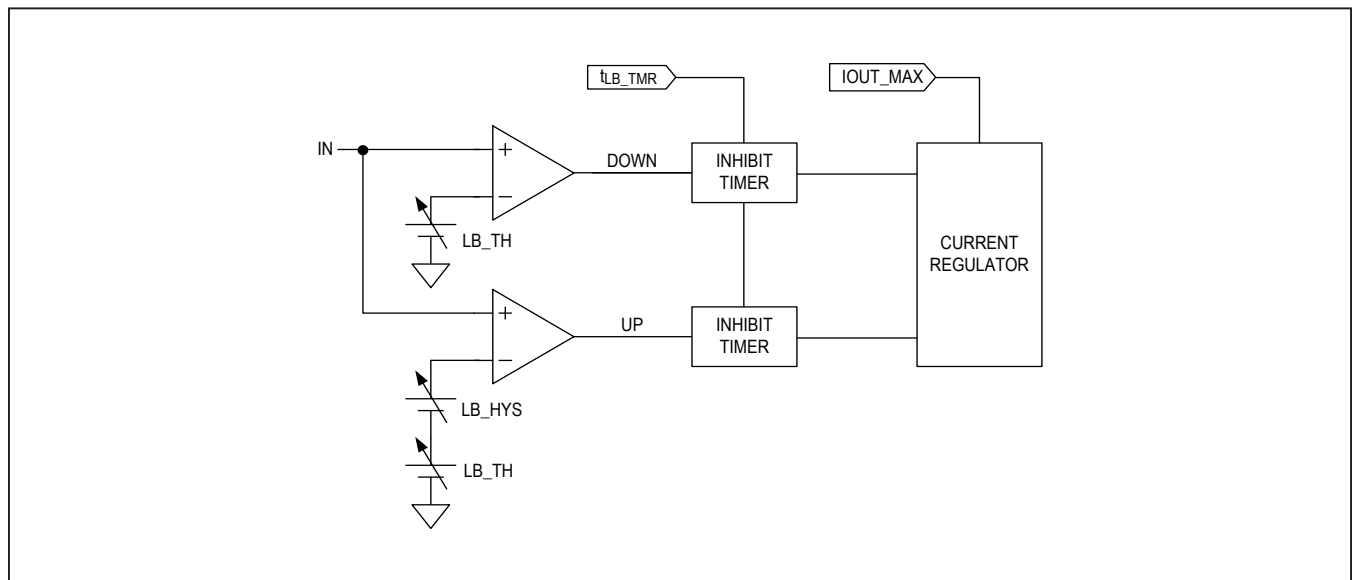


Figure 16. Block Diagram of MAXFLASH Function

**Safeout LDO**

The safeout LDO is a linear regulator that provides an output voltage of 3.3V, 4.85V, 4.9V, or 4.95V and can be used to supply low voltage-rated USB systems. The SAFEOUT linear regulator turns on when  $V_{CHGIN} \geq 3.2V$  and  $SFOUT\_EN = \text{logic high}$  (from MUIC), regardless of

Charger Enable or  $\overline{DETBAT}$ . SAFEOUT is disabled when  $CHGIN$  is greater than the overvoltage threshold (5.90V typ). The safeout LDO integrate high-voltage MOSFET to provide 20V protection at their inputs, which are internally connected to the charger input at  $CHGIN$ .

SAFEOUT is default ON at 4.9V.

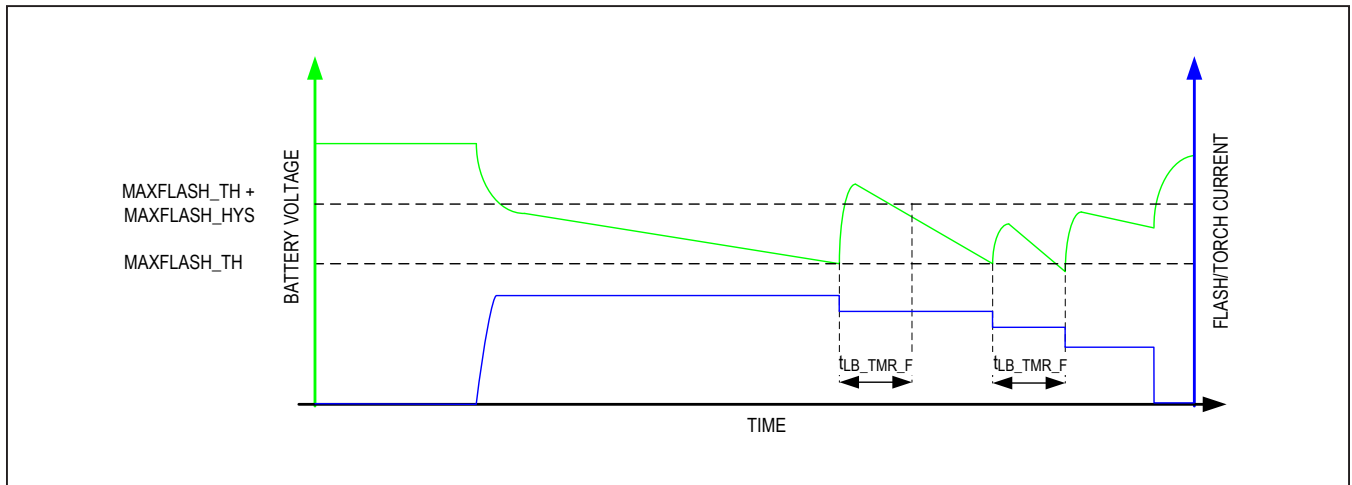


Figure 17. Example 1 of MAXFLASH Function Operation

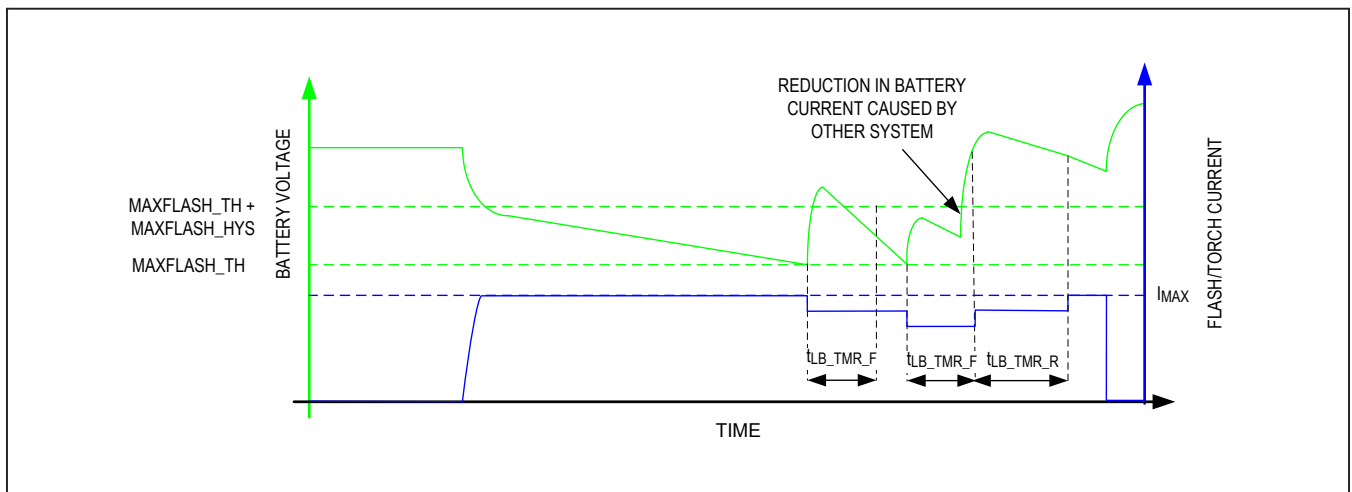


Figure 18. Example 2 of MAXFLASH Function Operation

**WLED Backlight Driver**

**Step-Up Converter**

The MAX77829 LED boost converter operates from a 2.5V to  $V_{SYSOVLO}$  input supply. Due to duty-cycle limitations, full output power is only available for input voltages > 2.8V. For low input voltages (2.5V to 2.8V), maximum LED output current is available as shown in [Table 6](#).

The MAX77829 LED boost converter utilizes a peak-current limited architecture. In the event of a serious overload, where the converter is operating at its current limit for 16ms, an interrupt is generated, and the processor can determine the appropriate course of action.

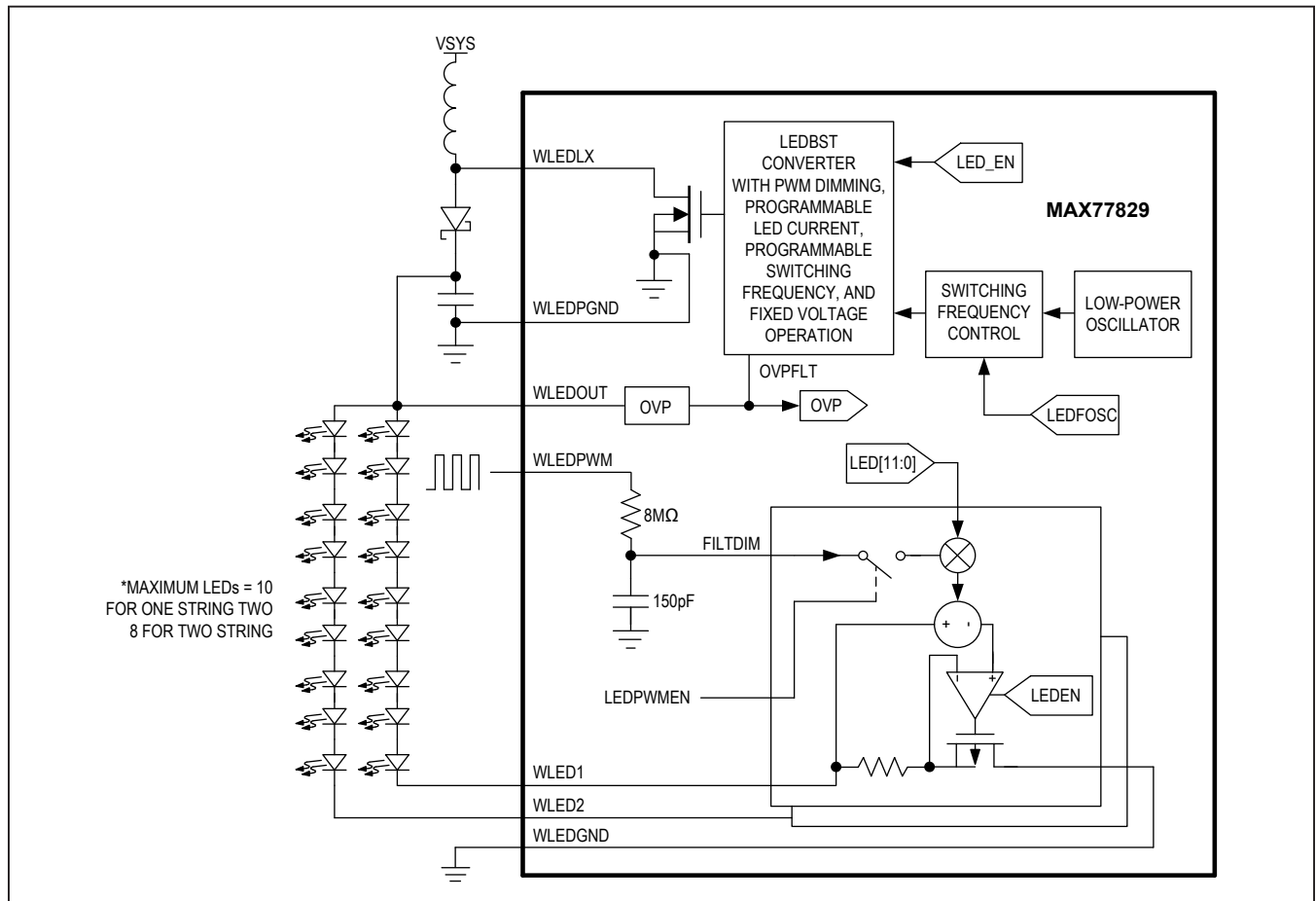


Figure 19. Functional Diagram for WLED Boost Converter and Current Source

**Table 6. Maximum LED Output Current**

$V_{SYS}$	2 STRINGS OF 8		2 STRINGS OF 6		1 STRING OF 10	
	1.47MHz	2.2MHz	1.47MHz	2.2MHz	1.10MHz	733kHz
3.0V	24.9mA	24.9mA	24.9mA	24.9mA	TBD	TBD
2.9V	24.9mA	21mA	24.9mA	24.9mA	TBD	TBD
2.8V	24.9mA	17mA	24.9mA	24.9mA	TBD	TBD
2.7V	23mA	14mA	24.9mA	24.9mA	TBD	TBD
2.6V	20mA	11mA	24.9mA	24.9mA	TBD	TBD
2.5V	18mA	8mA	24.9mA	21mA	TBD	TBD

The step-up converter switches at a fixed frequency of 2.2MHz to allow the use of small external components. Lower switching frequency can be selected through the serial interface to provide higher efficiency and/or avoid noise-sensitive frequency bands.

### Overvoltage Protection

The MAX77829 is protected against open-circuited LED strings. In the event that the LED string is open, and the step-up converter is enabled, the WLEDOUT pin senses the output voltage of the step-up converter, and regulates the step-up output voltage at the OVP threshold. An interrupt (if unmasked) is generated when the step-up converter reaches the OVP threshold.

To optimize efficiency for the number of WLEDs used, the OVP threshold is programmable via WLEDOVP bit in WLEDBSTCNTL1 register. 28V (max) OVP setting is ideal for supporting up to 8 WLEDs in series while the 35V (max) OVP setting is needed for supporting up to 10 WLEDs in series.

### Current Sources

The MAX77829 provides a low-side current source with 8-bit resolution for programming the LED current. A single register programs the output current in both sources. Both current sources can be programmed to respond to, or ignore, the WLEDPWM dimming input with a single bit.

The MAX77829 current source features a low-dropout voltage, increasing overall efficiency. When driving the maximum number of series LEDs, the current sources may enter dropout when the LED current is programmed near the maximum value. In this case, the current sources regulate with a 100mV (typ) voltage drop, and provide as much current as allowed by the forward voltage of the LEDs.

### Setting the Current Limit

The two WLED Strings feature linear dimming with 8-bit resolution (97.656 $\mu$ A per LSB).

In addition to the internal LED current control offered through the MAX77829 step-up converter, an external PWM signal may be applied to the WLEDPWM input for content-adaptive brightness control. The WLEDPWM input accepts signals with frequency between 5kHz and 60kHz, although optimal performance (minimized LED current ripple) is attained with PWM frequencies  $\geq$  15kHz. The WLEDPWM input linearly decreases the LED current in strings 1 and 2 and is enabled through the serial interface.

WLED1 and WLED2 each have individual current sources, and both strings or any individual string may be enabled

at any time. WLED1 and WLED2 share a common current setting register, so strings 1 and 2 always have the same LED current, if enabled.

Mismatched LED strings can also be supported by the MAX77829. In the event that LED strings with different LED count are being powered at the same time, the string with the fewest number of LEDs will see a higher voltage drop across the current driver causing higher power consumption.

The WLED\_ current sources provide up to 24.9mA for powering the LED backlight. Under certain operating conditions, such as when powering the maximum number of LEDs in series, the WLED\_ current sources operates in a dropout condition, in which 24.9mA may no longer be provided to the LED string.

### Enabling CABC Dimming (WLEDPWM Input)

The MAX77829 supports a CABC dimming signal from the processor to linearly decrease the backlight intensity based on the video signal content. The WLEDPWM input accepts a PWM signal in the 5kHz to 60kHz range, with optimal performance (minimized LED current ripple) attained for PWM dimming frequency  $>$  15kHz. The WLEDPWM signal is internally RC filtered (corner frequency 500Hz), and is then used to decrease the reference voltage to the current DAC for strings 1 and 2. Two bits in Boost Converter Control Register 1 (LEDPWM1EN and LEDPWM2EN) independently program strings 1 and 2 to respond to or ignore the WLEDPWM signal. If one of the current sources (WLED1 or WLED2) is disabled, this current source ignores the WLEDPWM signal.

In the event that a 0% duty cycle is applied to the WLEDPWM input, the converter does not shut down, but instead continues to regulate the WLEDOUT voltage. The output current at the WLED\_ pins is close to zero.

## Top System Management

### Main Bias

The main bias includes voltage and current references for all circuitry that runs from the  $V_{SYS}$  node. It includes a 0.3% accurate voltage reference that is used by various blocks. The current bias is generated from the reference voltage and trimmed to be within 1.5% and is zero-TC. The current bias is converted to a voltage to route to other blocks.

The  $V_{REF}$  block generates a 1.25V zero-TC reference voltage.  $I_{BIAS}$  takes  $V_{REF}$  as input and generates a  $V_{BIAS}$  voltage that will track RPH variation and TC. Instead of generating a current output, a bias voltage for current is generated to be distributed to different blocks.

It saves the number of top level routing lines for bias current at the expense of requiring a bias current generation circuit, generating current as  $V_{BIAS}/RPH$ .

**System Faults**

The MAX77829 monitors the system for the following faults:

- SYS Undervoltage Lockout
- SYS Overvoltage Lockout
- SYS Low Threshold Detection
- Thermal Shutdown

**SYS Faults**

The system monitors the SYS node for undervoltage, overvoltage, and low threshold events. The following describes the IC behavior if any of these events is to occur. The SYS Low Threshold Detection is configurable via registers.

SYS undervoltage lockout prevents the regulators from being used when the input voltage is below the operating range. When the voltage from SYS to GND ( $V_{SYS}$ ) is less than the undervoltage lockout threshold ( $V_{SYSUVLO}$ ), the MAX77829 enters its global shutdown state.

SYS overvoltage lockout is a fail-safe mechanism and prevents the regulators from being used when the input voltage is above the operating range. The absolute maximum ratings state that the SYS node withstands is up to 6V. The SYS OVLO threshold is set to 5.3V (typ) – ideally  $V_{SYS}$

should not exceed the battery charge termination threshold. Systems must be designed such that  $V_{SYS}$  never exceeds 4.8V (transient and steady-state). If the  $V_{SYS}$  should exceed  $V_{SYSOVLO}$  during a fault, the MAX77829 enters its global shutdown state.

When  $V_{SYS}$  voltage falls below its low threshold ( $V_{SYSL}$ ), the MAX77829 initiates a LOWSYS interrupt. The low-SYS detection circuitry is enabled by default but can be disabled using the LSEN bit to reduce current consumption.  $V_{SYSL}$  is configurable using LSDAC register bits. Choose  $V_{SYSL}$  based on the system requirements and battery capacity.

The  $V_{SYSL}$  hysteresis ( $V_{LSHYST}$ ) is configurable using LHYST register bits. Choose  $V_{LSHYST}$  based on your system peak currents and battery impedance.  $V_{LSHYST}$  should be set sufficiently high to avoid oscillation in and out of the low-SYS state due to system peak currents.

Since the main battery is typically connected to the SYS node (through the internal BATT to SYS switch), this circuit also functions as a low BATT comparator.

**Thermal Fault**

The MAX77829 has one centralized thermal circuit for sensing die temperature. If temperature increases above 165°C ( $T_{SHDN}$ ) a thermal shutdown event occurs and the MAX77829 enters its global shutdown state.

In addition to the 165°C threshold, interrupts are generated when the die temperature reaches 120°C and 140°C.

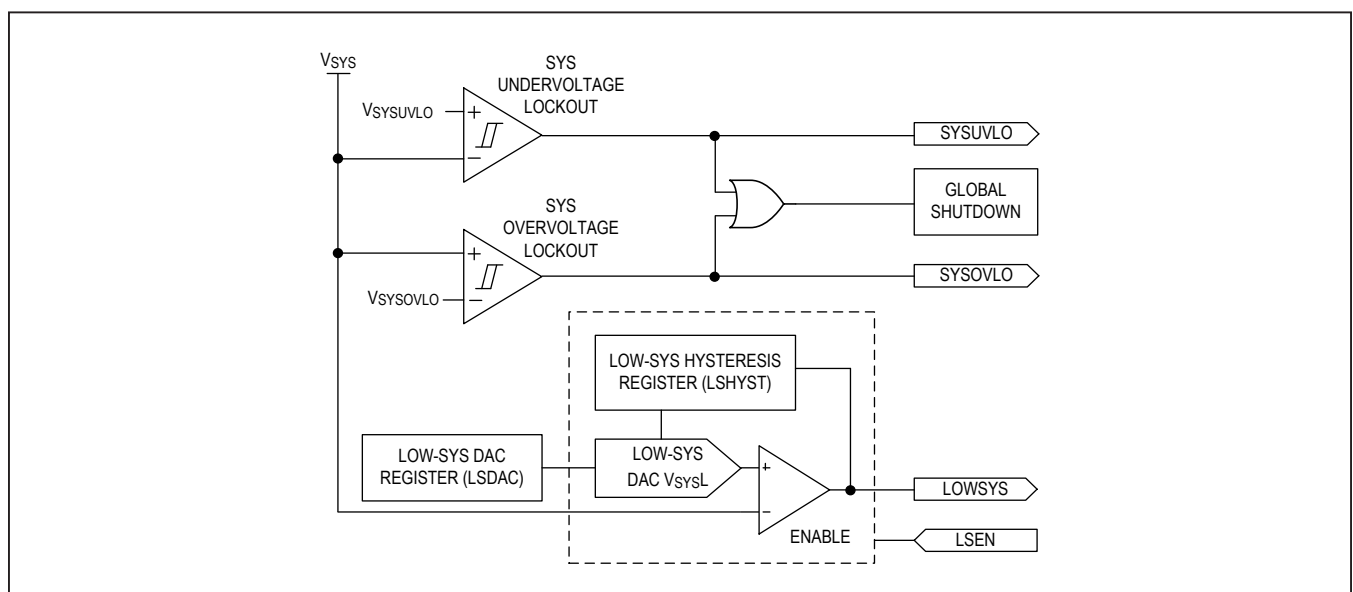


Figure 20.  $V_{SYS}$  Fault Monitor Functional Block Diagram



There is a 15°C thermal hysteresis. After thermal shutdown, if the die temperature cools by 15°C, the thermal shutdown bus is deasserted and DVDD LDO can be enabled again.

The main battery charger has an independent thermal control loop which will not cause thermal shutdown. In the event that the charger thermal overload occurs, only the charger will turn OFF.

**Shutdown Events**

The MAX77829 has a POR bus that goes to all blocks except the fuel gauge. The POR signal turns off these blocks and resets their registers to a default state under the following conditions:

- SYS Undervoltage Lockout
- SYS Overvoltage Lockout
- Overtemperature Fault (165°C) - This signal has hysteresis, if the die temperature hits 150°C, this signal is deasserted. This should not cause a turn-on event; turn-on events are listed in the *Thermal Fault* section. In other words, this signal is latched.

- Manual Reset ( $\overline{\text{MRST}}$  pulled low for 7s default).

**I<sup>2</sup>C Interface**

The I<sup>2</sup>C serial bus consists of a bidirectional serial-data line (SDA) and a serial-clock input (SCL). The IC is a slave-only device, relying upon a master to generate a clock signal. The master initiates data transfer to and from the IC and generates SCL to synchronize the data transfer.

I<sup>2</sup>C is an open-drain bus. Both SDA and SCL are bidirectional lines, connected to a positive supply voltage through a pullup resistor. They both have Schmitt triggers and filter circuits to suppress noise spikes on the bus to assure proper device operation. A bus master initiates communication with the IC as a slave device by issuing a START condition followed by the IC address. The IC address byte consists of 7 address bits and a read/write bit (R/W). After receiving the proper address, the IC issues an acknowledge bit by pulling SDA low during the ninth clock cycle. [Figure 21](#) shows the I<sup>2</sup>C slave addresses for each functional block.

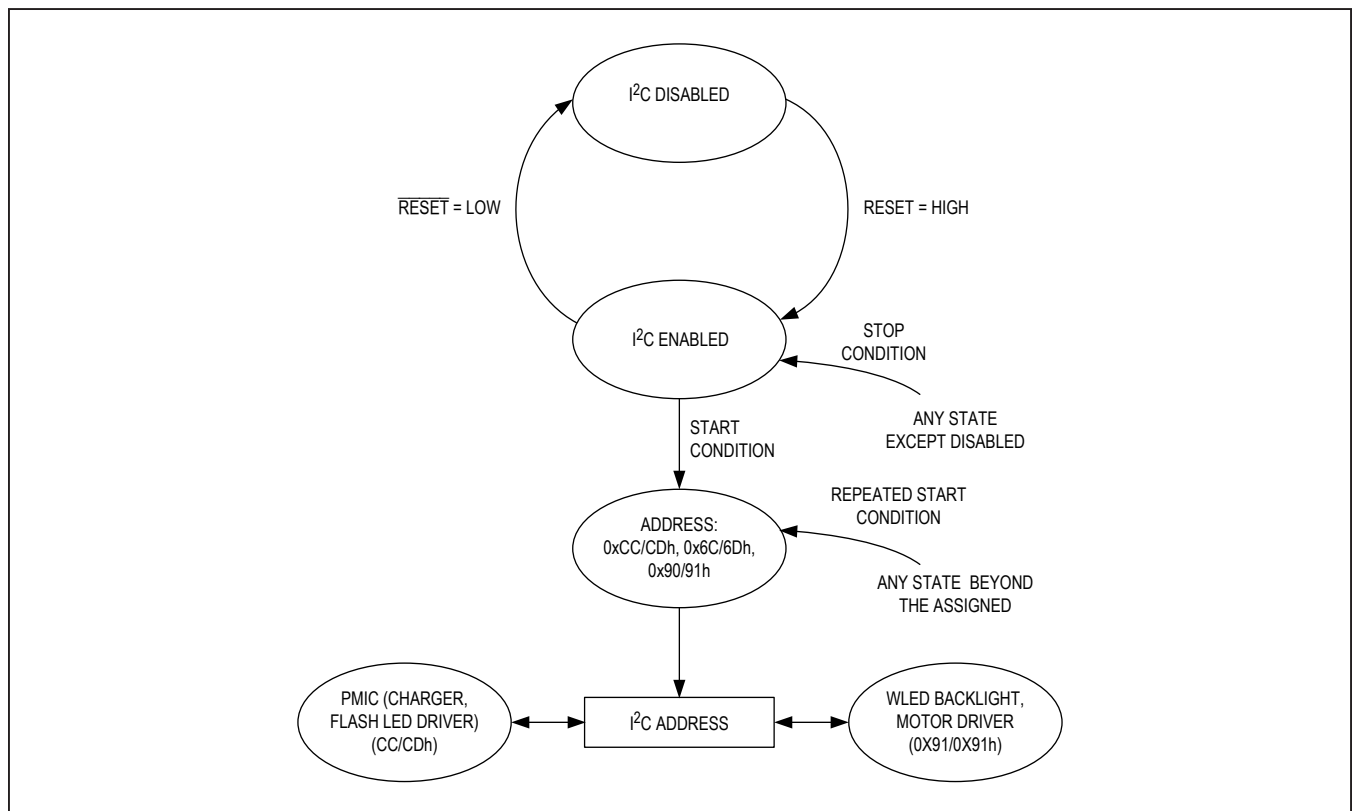


Figure 21. I<sup>2</sup>C State Diagram

**I<sup>2</sup>C Bit Transfer**

Each data bit, from the most significant bit to the least significant bit, is transferred one by one during each clock cycle. During data transfer, the SDA signal is allowed to change only during the low period of the SCL clock and it must remain stable during the high period of the SCL clock (Figure 22).

**I<sup>2</sup>C Start And Stop Conditions**

Both SCL and SDA remain high when the bus is not busy. The master signals the beginning of a transmission with a START (S) condition by transitioning SDA from high to low while SCL is high. When the master has finished communicating with the IC, it issues a STOP (P) condition by transitioning SDA from low to high while SCL is high. The bus is then free for another transmission (Figure 23). Both START and STOP conditions are generated by the bus master.

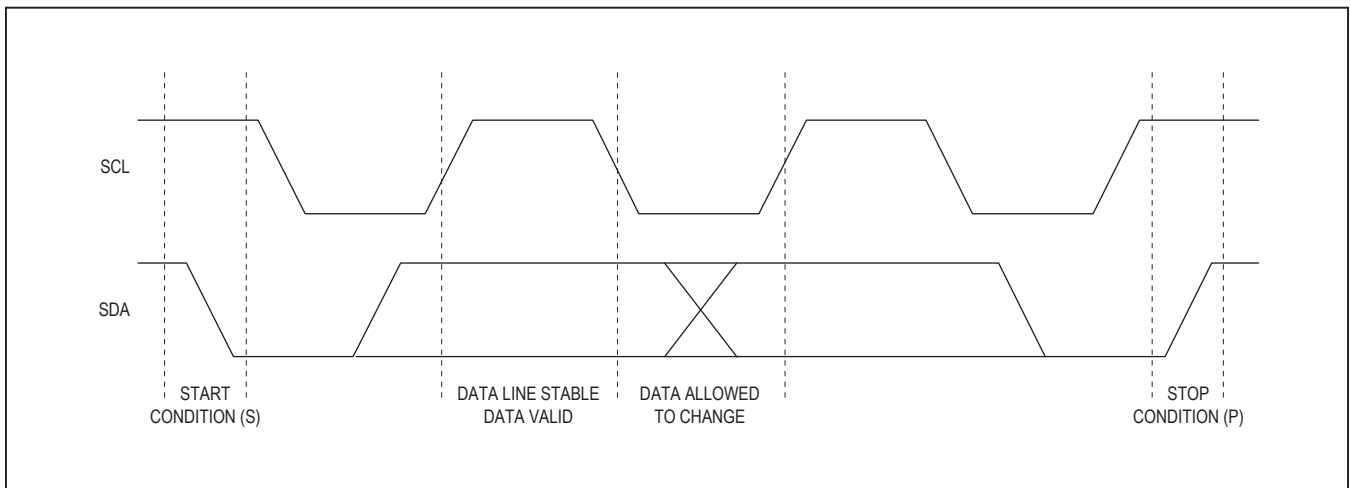


Figure 22. I<sup>2</sup>C Bit Transfer

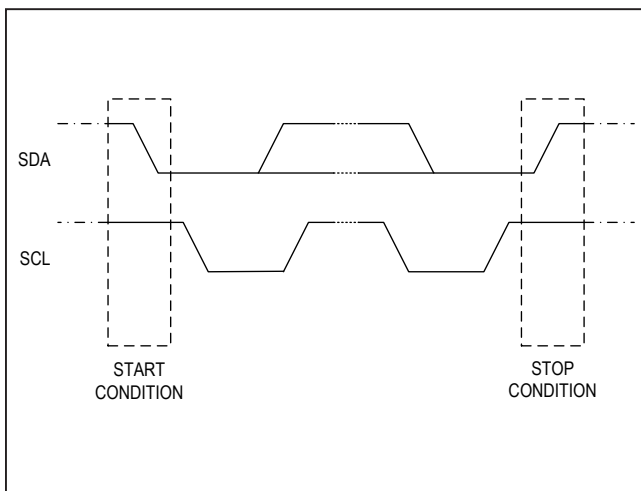


Figure 23. I<sup>2</sup>C Start and Stop Conditions

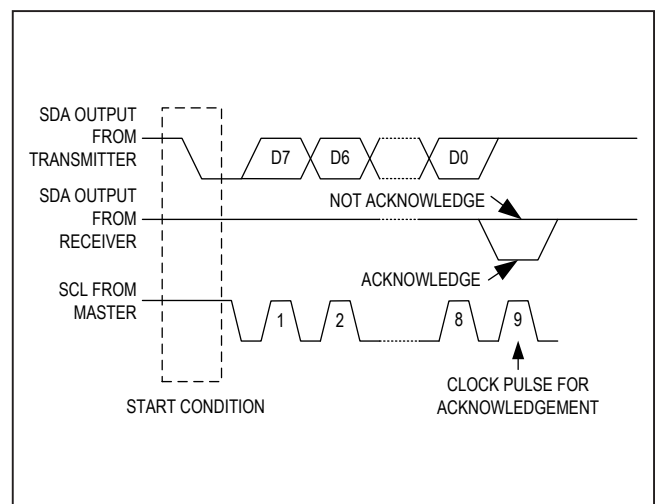


Figure 24. I<sup>2</sup>C Acknowledge

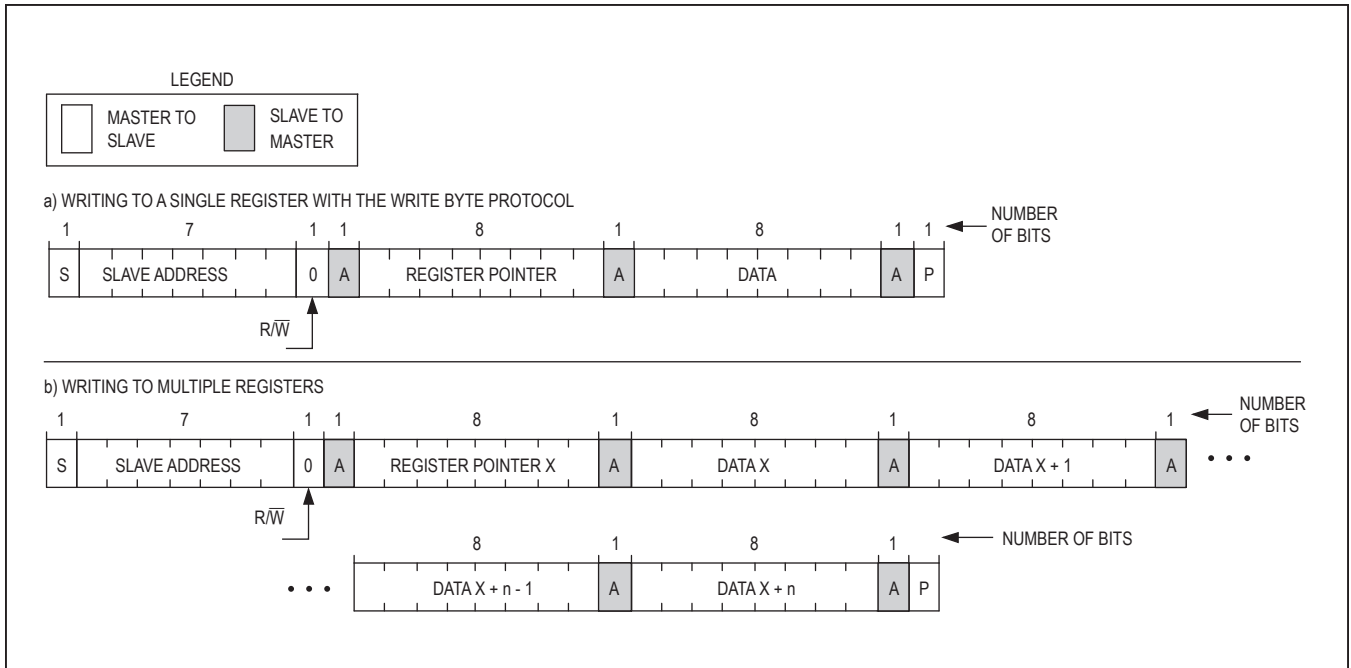


Figure 25. Master Transmits (Write Mode)

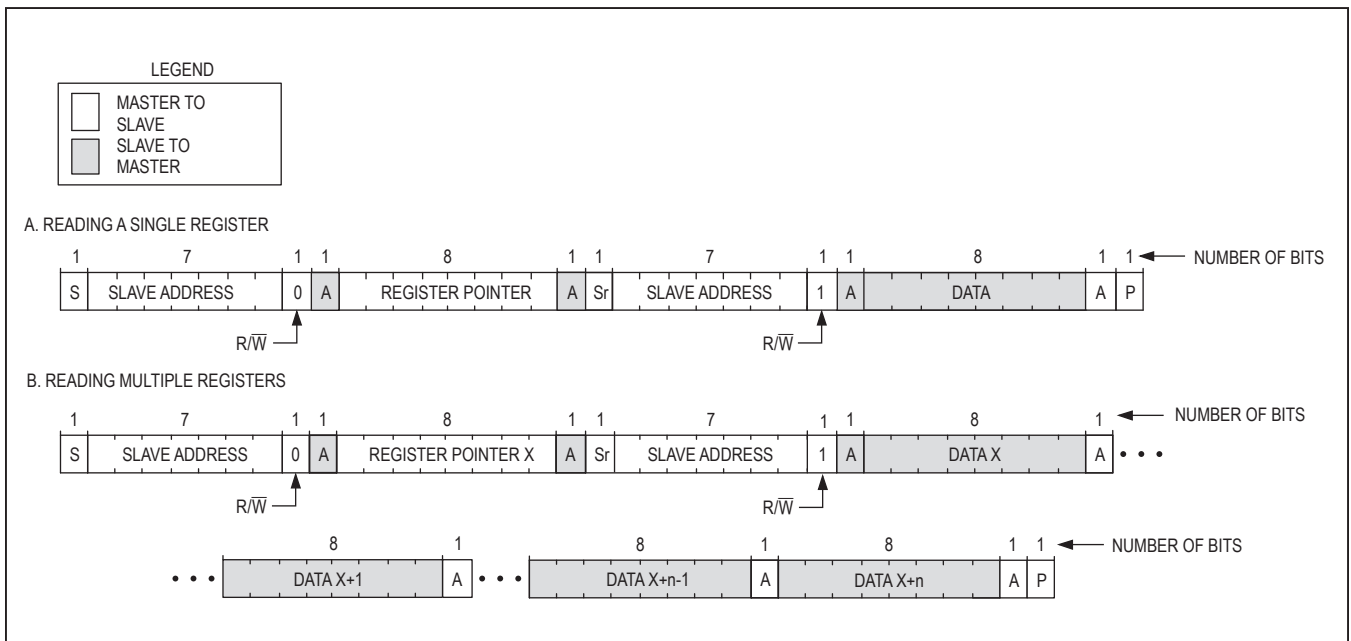


Figure 26. Master Reads Register Data Without Setting Register Address (Read Mode)

### I<sup>2</sup>C Acknowledge

The number of data bytes between the Start and Stop conditions for the Transmitter and Receiver are unlimited. Each 8-bit byte is followed by an acknowledge bit. The acknowledge bit is a high-level signal put on SDA by the transmitter during which time the master generates an extra acknowledge related clock pulse. A slave receiver which is addressed must generate an acknowledge after each byte it receives. Also a master receiver must generate an acknowledge after each byte it receives that has been clocked out of the slave transmitter.

The device that acknowledges must pull down the SDA line during the acknowledge clock pulse, so that the SDA line is stable low during the high period of the acknowledge clock pulse (setup and hold times must also be met). A master receiver must signal an end of data to the transmitter by not generating an acknowledge on the last byte that has been clocked out of the slave. In this case, the transmitter must leave SDA high to enable the master to generate a Stop condition.

### Multibutton Manual Reset

$\overline{\text{MRST}}$  is the manual reset input for hardware reset. Falling edge of  $\overline{\text{MRST}}$  and minimum 7s (default) low initiate the automatic power reboot. The debouncing time is programmable ranging from 3s to 10s (with 1s per step). After the debouncing timer expires, the  $\overline{\text{RESET}}$  output asserts and all the MAX77829 registers return to their

default values. The  $\overline{\text{RESET}}$  output is intended to reset the host system's main PMIC and/or applications processor in case they do not already have manual reset inputs of their own. When the manual reset feature is not required, pull  $\overline{\text{MRST}}$  above logic-high input.

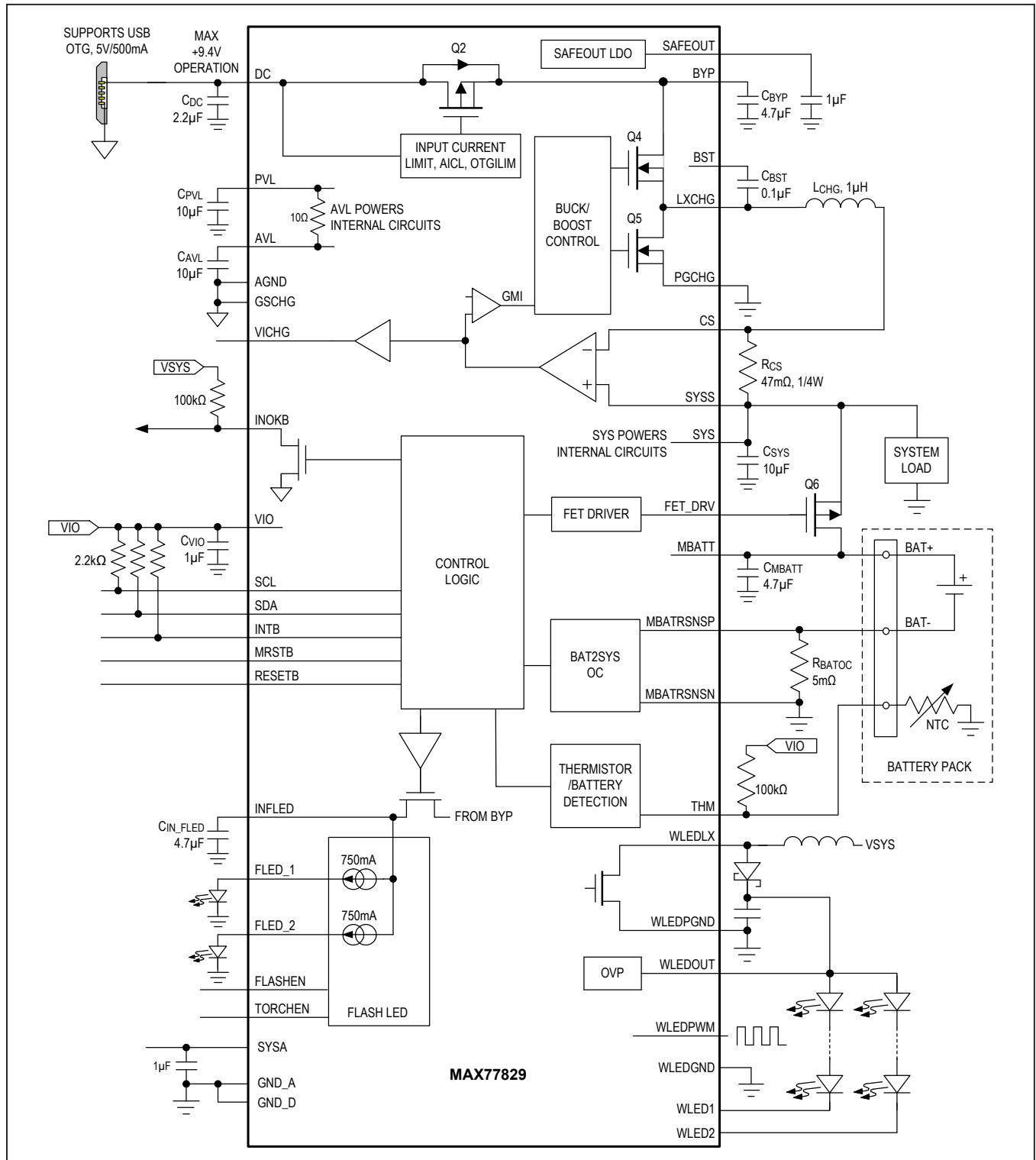
### INT

The MAX77829 interrupts indicate to the application processor that the status of the MAX77829 has changed.  $\overline{\text{INT}}$  asserts low whenever one or more interrupts are toggled, and those interrupts are not masked. The application processor may read the interrupts in two steps. First, the AP reads the INTSRC register. This is a read-only register indicating which functional block is generating the interrupt, i.e. charger, flash, or other blocks. Depending on the result of the read, the next step is to read the actual interrupt registers pertaining to the functional block.

For example, if the application processor reads 0x02 from INTSRC register, it means the top-level PMIC block has an interrupt generated. The next step is to read the INT1 register of the PMIC functional block.

$\overline{\text{INT}}$  becomes high (cleared) as soon as the read sequence of the last INT\_ register that contains an active interrupt starts. All interrupts can be masked to prevent  $\overline{\text{INT}}$  from being asserted for masked interrupts. A mask bit in the INTM register implements masking. The INTSRC register can still provide the actual interrupt status of the masked interrupts, but  $\overline{\text{INT}}$  is not asserted.

Typical Application Circuit



## Ordering Information

PART	TEMP RANGE	PIN-PACKAGE
MAX77829EWN+	-40°C to +85°C	56 WLP 0.4mm pitch, 3.64mm x 3.24mm

## Chip Information

PROCESS: CMOS

## Package Information

For the latest package outline information and land patterns (footprints), go to [www.maximintegrated.com/packages](http://www.maximintegrated.com/packages). Note that a "+", "#", or "-" in the package code indicates RoHS status only. Package drawings may show a different suffix character, but the drawing pertains to the package regardless of RoHS status.

PACKAGE TYPE	PACKAGE CODE	OUTLINE NO.	LAND PATTERN NO.
56 WLP	W563F3+1	<a href="#">21-1038</a>	Refer to <a href="#">Application Note 1891</a>

## Revision History

REVISION NUMBER	REVISION DATE	DESCRIPTION	PAGES CHANGED
0	12/15	Initial release	—

For pricing, delivery, and ordering information, please contact Maxim Direct at 1-888-629-4642, or visit Maxim Integrated's website at [www.maximintegrated.com](http://www.maximintegrated.com).

*Maxim Integrated cannot assume responsibility for use of any circuitry other than circuitry entirely embodied in a Maxim Integrated product. No circuit patent licenses are implied. Maxim Integrated reserves the right to change the circuitry and specifications without notice at any time. The parametric values (min and max limits) shown in the Electrical Characteristics table are guaranteed. Other parametric values quoted in this data sheet are provided for guidance.*



Компания «ЭлектроПласт» предлагает заключение долгосрочных отношений при поставках импортных электронных компонентов на взаимовыгодных условиях!

Наши преимущества:

- Оперативные поставки широкого спектра электронных компонентов отечественного и импортного производства напрямую от производителей и с крупнейших мировых складов;
- Поставка более 17-ти миллионов наименований электронных компонентов;
- Поставка сложных, дефицитных, либо снятых с производства позиций;
- Оперативные сроки поставки под заказ (от 5 рабочих дней);
- Экспресс доставка в любую точку России;
- Техническая поддержка проекта, помощь в подборе аналогов, поставка прототипов;
- Система менеджмента качества сертифицирована по Международному стандарту ISO 9001;
- Лицензия ФСБ на осуществление работ с использованием сведений, составляющих государственную тайну;
- Поставка специализированных компонентов (Xilinx, Altera, Analog Devices, Intersil, Interpoint, Microsemi, Aeroflex, Peregrine, Syfer, Eurofarad, Texas Instrument, Miteq, Cobham, E2V, MA-COM, Hittite, Mini-Circuits, General Dynamics и др.);

Помимо этого, одним из направлений компании «ЭлектроПласт» является направление «Источники питания». Мы предлагаем Вам помощь Конструкторского отдела:

- Подбор оптимального решения, техническое обоснование при выборе компонента;
- Подбор аналогов;
- Консультации по применению компонента;
- Поставка образцов и прототипов;
- Техническая поддержка проекта;
- Защита от снятия компонента с производства.



#### Как с нами связаться

**Телефон:** 8 (812) 309 58 32 (многоканальный)

**Факс:** 8 (812) 320-02-42

**Электронная почта:** [org@eplast1.ru](mailto:org@eplast1.ru)

**Адрес:** 198099, г. Санкт-Петербург, ул. Калинина, дом 2, корпус 4, литера А.