

STAMPED AND FORMED CONTACTS, PG 1 of 2

Click on [blue underlined part numbers](#) to be taken to their spec sheets.

OPTIONS

PART NUMBER: [AT62-14-01XX](#)
DESCRIPTION: CONTACT, SOCKET, STAMPED, SIZE 16

MATERIAL:
 CONTACT BODY: COPPER ALLOY
 HOOD: STAINLESS STEEL
PLATING SUFFIX CODE:
 XX=22 NICKEL PLATING
 XX=44 GOLD PLATING
CONTACT GENERAL DATA SPECIFICATION: S2-15217
AVAILABLE CRIMPERS: ATT-16-00, MFX-3950 & MFX-3953
CRIMPER SPECIFICATIONS: S2-15223 & S2-15224
CRIMP INFORMATION DRAWING: S2-15221 & S2-15222
CONTACTS PER REEL: APPROX. 4000 (PARTIAL REELS AVAILABLE)



PART NUMBER: [AT62-16-01XX](#)
DESCRIPTION: CONTACT, SOCKET, STAMPED, SIZE 16

MATERIAL:
 CONTACT BODY: COPPER ALLOY
 HOOD: STAINLESS STEEL
PLATING SUFFIX CODE:
 XX=22 NICKEL PLATING
 XX=44 GOLD PLATING
CONTACT GENERAL DATA SPECIFICATION: S2-15217
AVAILABLE CRIMPERS: ATT-16-00, ATT-16-01, MFX-3950 & MFX-3953
CRIMPER SPECIFICATIONS: S2-15223 & S2-15224
CRIMP INFORMATION DRAWING: S2-15221 & S2-15222
CONTACTS PER REEL: APPROX. 4000 (PARTIAL REELS AVAILABLE)



PART NUMBER: [AT62-16-06XX](#)
DESCRIPTION: CONTACT, SOCKET, STAMPED, SIZE 16

MATERIAL:
 CONTACT BODY: COPPER ALLOY
 HOOD: STAINLESS STEEL
PLATING SUFFIX CODE:
 XX=22 NICKEL PLATING
 XX=44 GOLD PLATING
CONTACT GENERAL DATA SPECIFICATION: S2-15217
AVAILABLE CRIMPERS: ATT-16-01, MFX-3950 & MFX-3953
CRIMPER SPECIFICATIONS: S2-15223 & S2-15224
CRIMP INFORMATION DRAWING: S2-15221 & S2-15222
CONTACTS PER REEL: APPROX. 4000 (PARTIAL REELS AVAILABLE)



PART NUMBER: [AT60-14-01XX](#)
DESCRIPTION: CONTACT, PIN, STAMPED, SIZE 16

MATERIAL: COPPER ALLOY
PLATING SUFFIX CODE:
 XX=22 NICKEL PLATING
 XX=44 GOLD PLATING
CONTACT GENERAL DATA SPECIFICATION: S2-15217
AVAILABLE CRIMPERS: ATT-16-00, MFX-3950 & MFX-3953
CRIMPER SPECIFICATIONS: S2-15223 & S2-15224
CRIMP INFORMATION DRAWING: S2-15221 & S2-15222
CONTACTS PER REEL: APPROX. 4000 (PARTIAL REELS AVAILABLE)

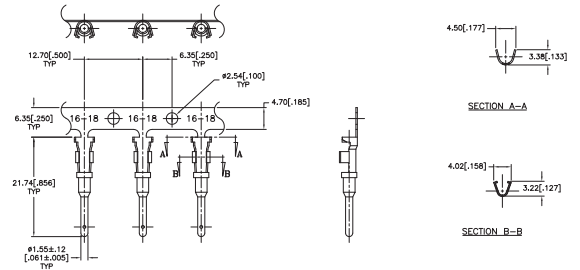


STAMPED AND FORMED CONTACTS, PG 2 of 2

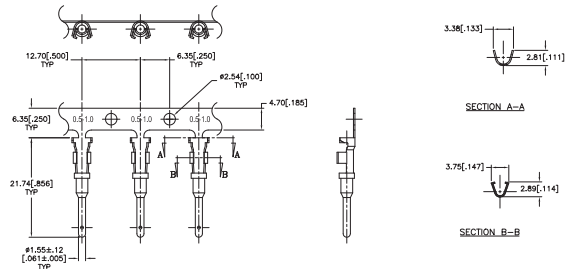
Click on [blue underlined part numbers](#) to be taken to their spec sheets.

OPTIONS

PART NUMBER: [AT60-16-01XX](#)
DESCRIPTION: CONTACT, PIN, STAMPED, SIZE 16
MATERIAL: COPPER ALLOY
PLATING SUFFIX CODE:
 XX=22 NICKEL PLATING
 XX=44 GOLD PLATING
CONTACT GENERAL DATA SPECIFICATION: S2-15217
AVAILABLE CRIMPERS: ATT-16-00, ATT-16-01, MFX-3950 & MFX-3953
CRIMPER SPECIFICATIONS: S2-15223 & S2-15224
CRIMP INFORMATION DRAWING: S2-15221 & S2-15222
CONTACTS PER REEL: APPROX. 4000 (PARTIAL REELS AVAILABLE)



PART NUMBER: [AT60-16-06XX](#)
DESCRIPTION: CONTACT, PIN, STAMPED, SIZE 16
MATERIAL: COPPER ALLOY
PLATING SUFFIX CODE:
 XX=22 NICKEL PLATING
 XX=44 GOLD PLATING
CONTACT GENERAL DATA SPECIFICATION: S2-15217
AVAILABLE CRIMPERS: ATT-16-01, MFX-3950 & MFX-3953
CRIMPER SPECIFICATIONS: S2-15223 & S2-15224
CRIMP INFORMATION DRAWING: S2-15221 & S2-15222
CONTACTS PER REEL: APPROX. 4000 (PARTIAL REELS AVAILABLE)



SOLID/MACHINED CONTACTS

Click on [blue underlined part numbers](#) to be taken to their spec sheets.

OPTIONS

MILITARY-STYLE

PART NUMBER: [AT60-202-16XX](#)
DESCRIPTION: CONTACT, PIN, SOLID MACHINED, SIZE 16
MATERIAL: COPPER ALLOY
PLATING SUFFIX CODE:
 XX=141 NICKEL PLATING
 XX=31 GOLD PLATING
CONTACT GENERAL DATA SPECIFICATION: S2-15217
AVAILABLE CRIMPERS: CA-5D12 & CA-5E12
CRIMPER SPECIFICATIONS: S2-15219 & S2-15220
CRIMP INFORMATION DRAWING: S2-15218

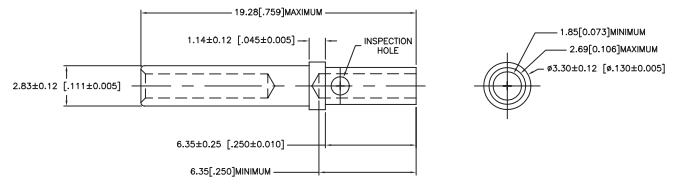


PART NUMBER: [AT62-201-16XX](#)
DESCRIPTION: CONTACT, SOCKET, SOLID MACHINED, SIZE 16
MATERIAL:
 CONTACT BODY: COPPER ALLOY
 HOOD: STAINLESS STEEL
PLATING SUFFIX CODE:
 XX=141 NICKEL PLATING
 XX=31 GOLD PLATING
CONTACT GENERAL DATA SPECIFICATION: S2-15217
AVAILABLE CRIMPERS: CA-5D12 & CA-5E12
CRIMPER SPECIFICATIONS: S2-15219 & S2-15220
CRIMP INFORMATION DRAWING: S2-15218



ROCKSOLID™ CONTACTS

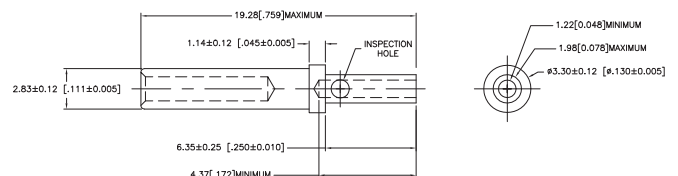
PART NUMBER: [65-54942-14](#)
DESCRIPTION: CONTACT, SOCKET, ROCKSOLID, SIZE 16
AWG RANGE: 14AWG
MATERIAL: COPPER ALLOY
PLATING: GOLD
CONTACT GENERAL DATA SPECIFICATION: S2-15217
AVAILABLE CRIMPERS: CA-5D12 & CA-5E12
CRIMPER SPECIFICATIONS: S2-15219 & S2-15220
CRIMP INFORMATION DRAWING: S2-15218



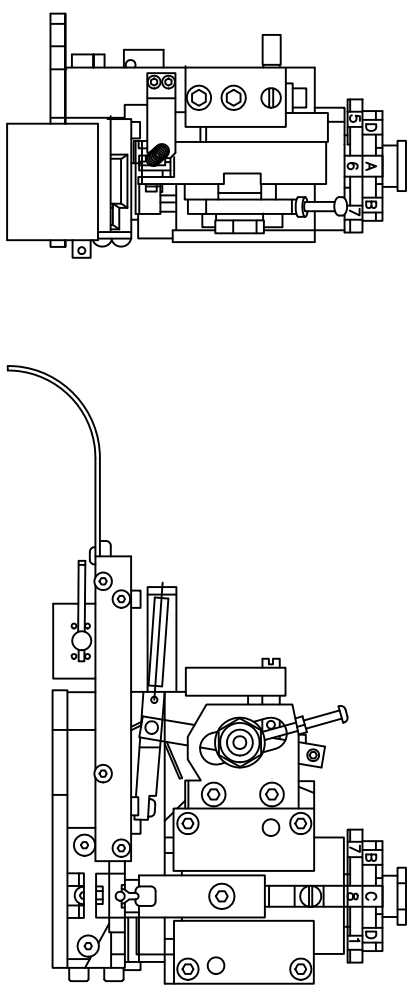
PART NUMBER: [65-54942-16](#)
DESCRIPTION: CONTACT, SOCKET, ROCKSOLID, SIZE 16
AWG RANGE: 16AWG
MATERIAL: COPPER ALLOY
PLATING: GOLD
CONTACT GENERAL DATA SPECIFICATION: S2-15217
AVAILABLE CRIMPERS: CA-5D12 & CA-5E12
CRIMPER SPECIFICATIONS: S2-15219 & S2-15220
CRIMP INFORMATION DRAWING: S2-15218



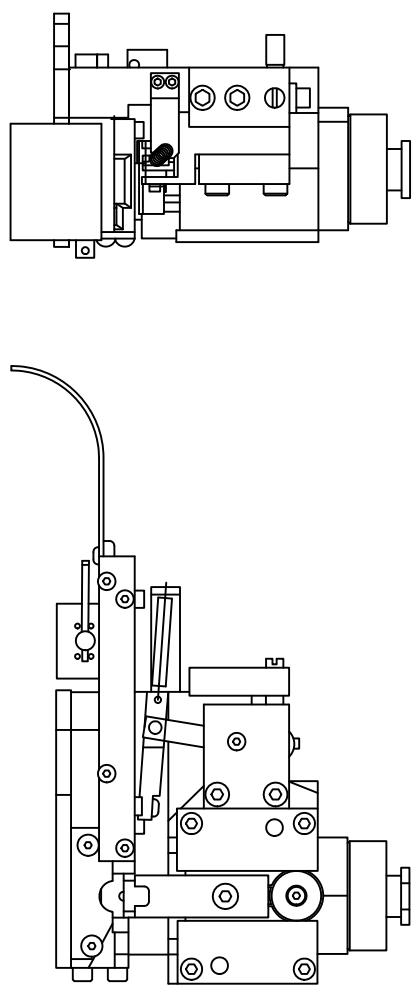
PART NUMBER: [65-54942-20](#)
DESCRIPTION: CONTACT, SOCKET, ROCKSOLID, SIZE 16
AWG RANGE: 20AWG
MATERIAL: COPPER ALLOY
PLATING: GOLD
CONTACT GENERAL DATA SPECIFICATION: S2-15217
AVAILABLE CRIMPERS: CA-5D12 & CA-5E12
CRIMPER SPECIFICATIONS: S2-15219 & S2-15220
CRIMP INFORMATION DRAWING: S2-15218



REVOLUTIONS		DESCRIPTION	DATE	BY	APPR
REV	ZONE	ECO	RELEASE NUMBER 016571	B.D.B.	M.R.F.
A1	-	-	6/12/08		



SINE PART NUMBER	MFX-3950
DEUTSCH PART NUMBER	DCT16-02-00
TYCO PART NUMBER	1-3-1385344-1, 2, 3, 4, 5 & 7



SINE PART NUMBER	MFX-3953
DEUTSCH PART NUMBER	DCT1620-02-00

ALL REFERENCES TO DEUTSCH PRODUCTS OR SPECIFICATIONS ARE FOR COMPARISON PURPOSES ONLY, AND REFER TO DEUTSCH INDUSTRIAL PRODUCTS.
 ALL REFERENCES TO TYCO PRODUCTS OR SPECIFICATIONS ARE FOR COMPARISON PURPOSES ONLY, AND REFER TO TYCO ELECTRONICS.

QUANTITY	PART NUMBER	DESCRIPTION	ITEM
MATERIALS LIST			
UNLESS OTHERWISE SPECIFIED			
1) All dimensions are in inches.			
2) 1st DEC 2000 1st Revision 3/1/04			
3) 1st DEC 2001 1st Revision 3/1/04			
4) Revision Standard Per:			
a) Tyco SS-20020			
b) Tyco SS-20020			
APPROVAL:			
DATE:	SIGNATURES:	DATE:	SIGNATURES:
6/9/09	BERNIM	6/9/09	BERNIM
6/9/09	ROUX	6/9/09	BERNIM
6/9/09	BERNIM	6/9/09	BERNIM
6/9/09	BERNIM	6/9/09	BERNIM
CUSTOMER: CRIMPER INFORMATION			
MFX-3950 & MFX-3953			
SCALE: NONE			
SHEET 1 OF 1			

A

B

C

D

4

3

2

1

4

3

2

1

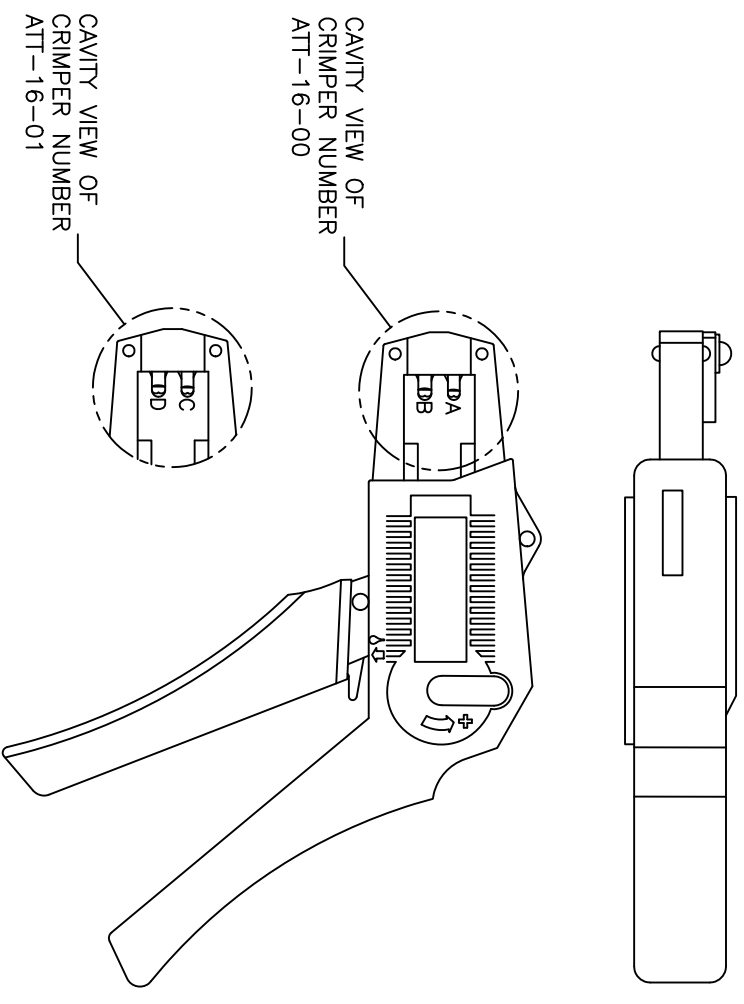
REVISIONS					
REV	ECO	DESCRIPTION	DATE	BY	APPR
A1	-	RELEASE NUMBER 016571	6/12/09	B.D.B.	M.R.F.

USE CRIMPER NUMBER:
ATT-16-00 WITH CAVITY A & B

CONTACT P/N:	INSULATION ϕ	CAVITY	WIRE SIZE
AT60-16-01**	.075 - .140	B	1.5mm ²
AT62-16-01**	[1.91 - 3.56]	A	16AWG
		A	1.0mm ²
AT60-14-01**	.095 - .150	B	14AWG
AT62-14-01**	[2.41 - 3.81]	B	2.0mm ²
		B	1.5mm ²
		A	1.5mm ²
		A	16AWG
		A	1.0mm ²
AT60-16-06**	.055 - .100	A	16AWG
AT62-16-06**	[1.40 - 2.54]	A	1.0mm ²

USE CRIMPER NUMBER:
ATT-16-01 WITH CAVITY C & D

CONTACT P/N:	INSULATION ϕ	CAVITY	WIRE SIZE
AT60-16-01**	.075 - .140	D	18AWG
AT62-16-01**	[1.91 - 3.56]	D	.75mm ²
AT60-16-06**	.055 - .100	D	18AWG
AT62-16-06**	[1.40 - 2.54]	D	.75mm ²
		C	.50mm ²



CAVITY VIEW OF
CRIMPER NUMBER
ATT-16-00

CAVITY VIEW OF
CRIMPER NUMBER
ATT-16-01

ALL REFERENCES TO DEUTSCH PRODUCTS OR SPECIFICATIONS ARE FOR COMPARISON PURPOSES ONLY, AND REFER TO DEUTSCH INDUSTRIAL PRODUCTS.

- NOTES (UNLESS OTHERWISE SPECIFIED):
- ALL DIMENSIONS IN INCHES [MILLIMETERS]
 - FOR PLATING CODES ** SEE CONTACT DATA DRAWINGS.
 - THIS TOOL IS FOR CRIMPING SIZE 16 CONTACTS ONLY TO WIRES LISTED IN THE CHARTS.
 - DEUTSCH IPD CROSS REFERENCE PART NUMBERS ARE DTT-16-00 AND DTT-16-01.

QUANTITY	PART NUMBER	DESCRIPTION	ITEM
MATERIALS LIST			
SINE Systems Corporation A Subsidiary of Amphenol Corporation 44724 Morley Drive Clinton Township, MI 48036			
INSTRUCTIONS: ATT-16-00 & 01 CRIMPER, HAND, STAMPED CONTACTS			
SIZE	FSC#	NO/DWG NO:	REVISION
B	16K44	S2-15223	A1
SCALE	NONE	S2-15223	SHEET 1 OF 1

SIGNATURES	DATE
DESIGNED: BERNUW	6/8/09
CHECKED: FORCE	6/8/09
ENGINEER: BERNUW	
APPROVAL: BERNUW	6/8/09

UNLESS OTHERWISE SPECIFIED	UNLESS OTHERWISE SPECIFIED
1) All dimensions are in inches.	1) All dimensions are in inches.
2) Tolerances are as follows:	2) Tolerances are as follows:
3) Fin. DEC 3000	3) Fin. DEC 3000
4) Hole Reference = A	4) Hole Reference = A

PROCESS SPECIFICATIONS	PROCESS SPECIFICATIONS
N/A	N/A

THE USE OF THIS DOCUMENT IS UNLIMITED. DESIGN FEATURES, SPECIFIC DATA SHOWN, METHOD AND THE MANUFACTURING VARIATIONS DOCUMENTS REFERENCED HEREON MAY VARY WITHOUT NOTICE.
© 2009 DEUTSCH INDUSTRIAL PRODUCTS

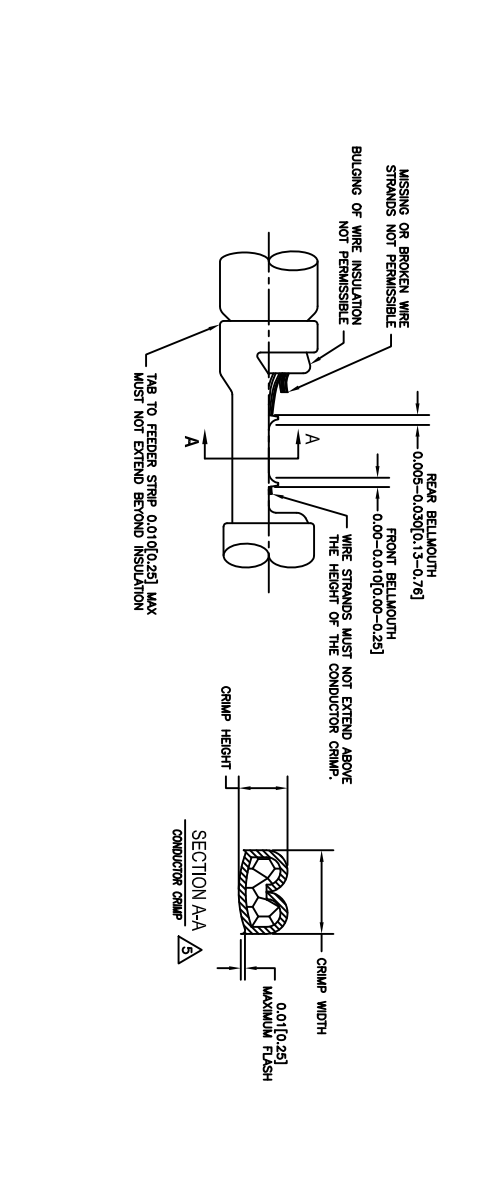
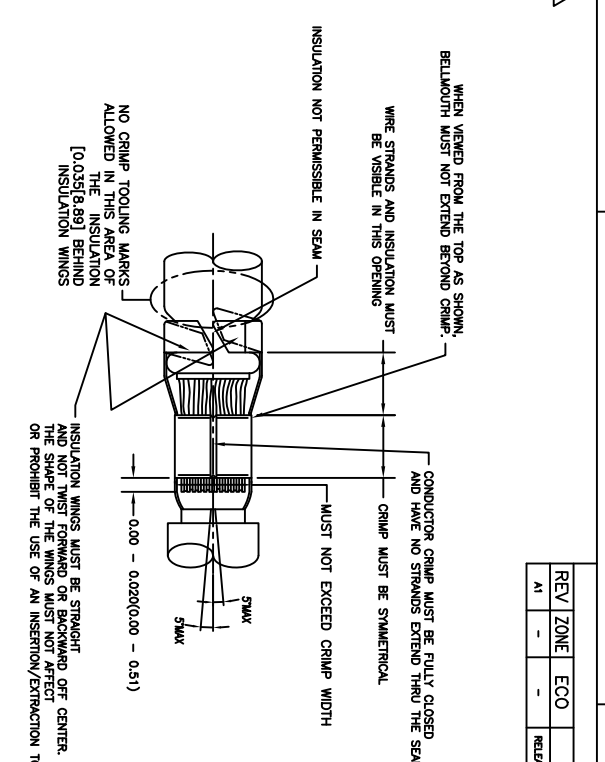
REV: A1	DWG NO: S2-15223	INSTRUMENTS, CRIMPER, HAND
1	1	1

REVISIONS			DATE	BY	APP
REV	ZONE	ECO	DESCRIPTION	B.D.B.	M.F.F.
A1	-	-	RELEASE NUMBER 016871	6/12/09	

STAMPED CONTACT PART NUMBER 106=PIN 106=SOCKET	SIZE	CONDUCTOR WIRE SIZE	CRIMP HEIGHT	CRIMP WIDTH	CONDUCTOR PUNCH NUMBER	CONDUCTOR ANVIL NUMBER	CRIMP TENSILE REFERENCE (LBS/IN)
A780-14-011x A782-14-011x INSULATION RANGE 0.095-0.150(2.41-3.81)	16	14 AWG 2.00mm ² 1.50mm ² 16 AWG 1.00mm ² 18 AWG 0.75mm ²	0.055(1.40) 0.055(1.40) 0.055(1.39) 0.050(1.27) 0.049(1.24) 0.048(1.22)	0.094(2.39) 0.094(2.39) 0.094(2.39) 0.094(2.39) 0.094(2.39) 0.094(2.39)	A177-002-0200 A177-101-0200	A177-101-0200	28(111)
A760-16-011x A762-16-011x INSULATION RANGE 0.075-0.140(1.91-3.58)	16	16 AWG 1.00mm ² 18 AWG 0.75mm ²	0.050(1.27) 0.050(1.27) 0.048(1.22) 0.048(1.22)	0.094(2.39) 0.094(2.39) 0.094(2.39) 0.094(2.39)	A177-002-0200 A177-101-0200	A177-101-0200	28(111)
A760-16-066x A762-16-066x INSULATION RANGE 0.055-0.100(1.40-2.54)	16	16 AWG 1.00mm ² 18 AWG 0.75mm ² 20 AWG 0.50mm ²	0.050(1.27) 0.050(1.27) 0.048(1.24) 0.048(1.22) 0.045(1.14)	0.079(2.01) 0.079(2.01) 0.079(2.01) 0.079(2.01) 0.079(2.01)	A177-003-0200 A177-103-0200	A177-103-0200	28(111) 15(67)

CROSS REFERENCE

SINE PART NUMBER	DEUTSCH PART NUMBER
MFX-3950	DC116-02-00
A177-002-0200	1017-002-0200
A177-003-0200	1017-003-0200
A177-101-0200	1017-101-0200
A177-103-0200	1017-103-0200
A177-210-0200	1017-210-0200
A177-211-0200	1017-211-0200
A177-213-0200	1017-213-0200
A177-214-0200	1017-214-0200
A177-217-0200	1017-217-0200
A177-218-0200	1017-218-0200
A177-310-0200	1017-310-0200
A177-311-0200	1017-311-0200
A177-313-0200	1017-313-0200
A177-304-0200	1017-304-0200
A177-317-0200	1017-317-0200
A177-318-0200	1017-318-0200



INSULATION DIAMETER RANGE	INSULATION PUNCH NUMBER	INSULATION ANVIL NUMBER
0.120-0.150 [3.05-3.81]	A177-210-0200	A177-310-0200
0.105-0.125 [2.67-3.18]	A177-211-0200	A177-311-0200
0.085-0.111 [2.16-2.82]	A177-213-0200	A177-313-0200
0.075-0.105 [1.91-2.67]	A177-214-0200	A177-304-0200
0.063-0.094 [1.62-2.39]	A177-217-0200	A177-317-0200
0.050-0.075 [1.27-1.91]	A177-218-0200	A177-318-0200

NOTES: UNLESS OTHERWISE SPECIFIED

1. ALL DIMENSIONS ARE IN INCHES(mm).
2. FORCES ARE IN POUNDS(LBS) AND NEWTONS(N).
3. "X"= PLATING SUFFIX. SEE INDIVIDUAL CONTACT DRAWING.
4. WIRE STRIP LENGTH: 0.775±0.029(4.45±0.54). BROKEN OR MISSING CONDUCTOR STRANDS ARE NOT ACCEPTABLE.
5. USE A BLADE MICROMEETER (0.100(2.54) MIN SPACING AND 0.060(0.010)(1.50(0.040) ANVIL) TO MEASURE THE CONDUCTOR CRIMP. SEE SECTION AA.
6. CRIMP TENSILE STRENGTH IS DETERMINED AT A PULL RATE SPEED OF 1.00 INCH(2.54) PER MINUTE. INSULATION WINGS ARE REMOVED FOR TEST. ACTUAL CRIMP TENSILE STRENGTH DEPENDS ON WIRE/CONDUCTOR SIZE. VALUES ON THIS SPECIFICATION ARE FOR REFERENCE ONLY.
7. INSULATION DIAMETER RANGE IS DETERMINED BY CONNECTOR AND ITS WIRE SEAL SIZE. SEE CONNECTOR DRAWING FOR INSULATION RANGE.
8. INSULATION CRIMP DIAMETER SHOULD BE THE EQUAL OR LESS THAN THE DIAMETER OF THE WIRE INSULATION (HARD OR TEFION INSULATION MAY BE AN EXCEPTION). INSULATION CRIMP SHALL NOT AFFECT REMOVAL TOOL PERFORMANCE AND SHALL NOT DAMAGE CONNECTOR GROMMET SEAL.
9. CONDUCTOR TYPE ARE PER SAE J128(AWG) AND ISO 6722(METRIC)
10. FOR CONTACT MATERIAL AND PERFORMANCE DATA, SEE DRAWING S2-15217.
11. REFER TO S2-15223 AND S2-15224 AND CROSS REFERENCE CHARTS FOR CRIMP TOOL DATA.

QUANTITY	PART NUMBER	MATERIALS LIST	DESCRIPTION	ITEM
UNLESS OTHERWISE SPECIFIED	SIGNATURES	DATE		
1) All dimensions are in inches.	DRAWN: POTER	4/7/09	SINE Systems Corporation	
2) For SAE standards, see SAE J128.	CHECKED: RONE	6/8/09	A Subsidiary of Amphenol Corporation	
3) For ISO standards, see ISO 6722.	ENGINEER: BERLIN	6/8/09	44724 Moley Drive	
4) Refer to the drawing for specific dimensions.	APPROVAL: BERLIN	6/8/09	Clinton Township, MI 48036	
PROCESS SPECIFICATIONS:	CUSTOMER:		CRIMP DATA, STAMPED CONTACTS	
FOR CRIMPER MFX-3950				
SIZE: (PUNCH NUMBER) S2-15222				
SCALE: NONE				
SHEET 1 OF 1				

REV	ZONE	ECO	DESCRIPTION	DATE	BY	APP
A1	-	-	RELEASE NUMBER 016971	6/12/09	B.D.B.	M.F.F.

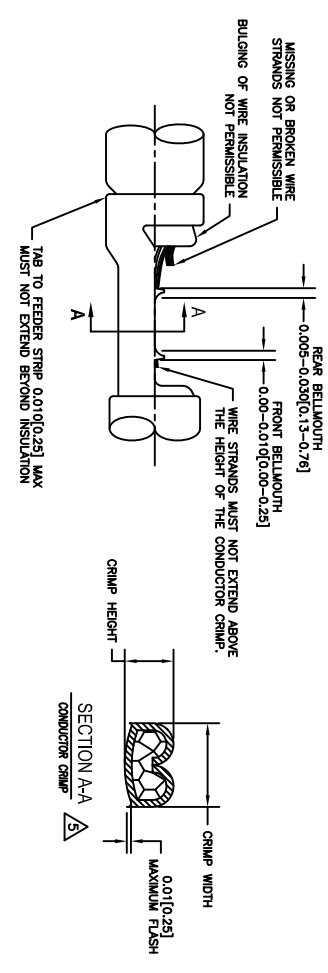
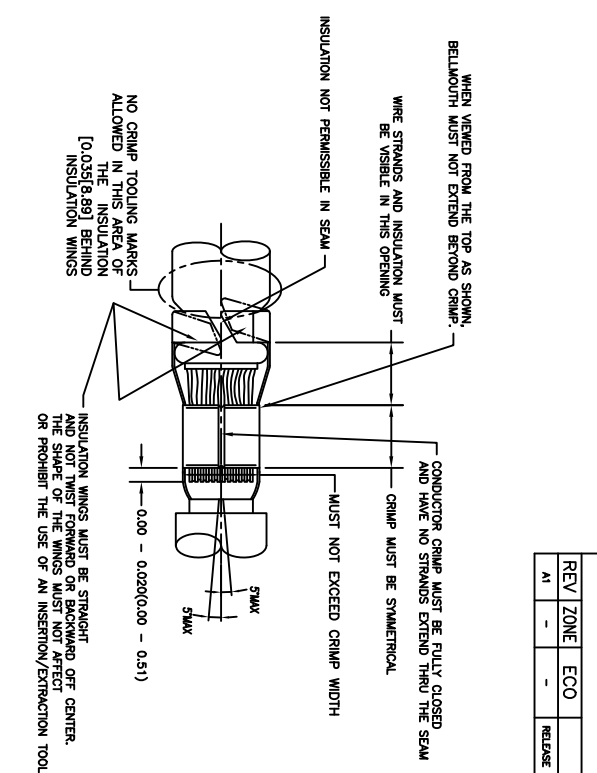
STAMPED CONTACT PART NUMBER (1009=PIN 1009=SOCKET)	SIZE	CONDUCTOR WIRE SIZE	CRIMP HEIGHT +0.001/-0.002 INCH (+0.025/-0.05 mm)	CRIMP WIDTH ±0.003 INCH (±0.08 mm)	CONDUCTOR PUNCH NUMBER	CONDUCTOR ANVIL NUMBER	CRIMP TENSILE REFERENCE (LBS/IN)
A160-14-017x A162-14-017x INSULATION RANGE 0.095-0.150(2.41-3.81)	16	14 AWG 2.00mm ² 1.50mm ² 16 AWG 1.00mm ² 18 AWG	0.0591(1.40) 0.0591(1.40) 0.0591(1.40) 0.0501(1.27) 0.0491(1.24)	0.094(2.39) 0.094(2.39) 0.094(2.39) 0.084(2.39) 0.084(2.39)		A117-4083-0200 A117-183-0200	291(111)
A160-16-017x A162-16-017x INSULATION RANGE 0.075-0.140(1.91-3.59)	16	14 AWG 2.00mm ² 1.50mm ² 16 AWG 1.00mm ² 18 AWG	0.0591(1.40) 0.0591(1.40) 0.0591(1.40) 0.0501(1.27) 0.0491(1.24)	0.094(2.39) 0.094(2.39) 0.094(2.39) 0.084(2.39) 0.084(2.39)		A117-4083-0200 A117-183-0200	291(111)
A160-16-069x A162-16-069x INSULATION RANGE 0.055-0.100(1.40-2.54)	16	16 AWG 1.00mm ² 0.75mm ² 20 AWG 0.50mm ²	0.0591(1.27) 0.0591(1.27) 0.0491(1.24) 0.0491(1.22) 0.0491(1.22)	0.079(2.01) 0.079(2.01) 0.079(2.01) 0.079(2.01) 0.079(2.01)		A117-4082-0200 A117-182-0200	291(111) 19(67)

CROSS REFERENCE

INSULATION DIAMETER RANGE	INSULATION PUNCH NUMBER	INSULATION ANVIL NUMBER	SINE PART NUMBER	DEUTSCH PART NUMBER
0.120-0.150 [3.05-3.81]	A117-225-0200	A117-326-0200	MFX-3953	DCT1620-02-00
0.105-0.125 [2.67-3.18]	A117-226-0200	A117-326-0200	A117-083-0200	1017-083-0200
0.085-0.111 [2.16-2.82]	A117-227-0200	A117-327-0200	A117-082-0200	1017-082-0200
0.075-0.105 [1.91-2.67]	A117-228-0200	A117-328-0200	A117-183-0200	1017-183-0200
0.063-0.094 [1.62-2.39]	A117-229-0200	A117-329-0200	A117-182-0200	1017-182-0200
0.050-0.075 [1.27-1.91]	A117-230-0200	A117-330-0200	A117-225-0200	1017-225-0200
			A117-226-0200	1017-226-0200
			A117-227-0200	1017-227-0200
			A117-228-0200	1017-228-0200
			A117-229-0200	1017-229-0200
			A117-230-0200	1017-230-0200
			A117-325-0200	1017-325-0200
			A117-326-0200	1017-326-0200
			A117-327-0200	1017-327-0200
			A117-328-0200	1017-328-0200
			A117-329-0200	1017-329-0200
			A117-330-0200	1017-330-0200

NOTES: UNLESS OTHERWISE SPECIFIED

- ALL DIMENSIONS ARE IN INCHES(mm).
- FORCES ARE IN POUNDS(LBS) AND NEWTONS(N).
- "X"= PLATING SUFFIX. SEE INDIVIDUAL CONTACT DRAWING.
- WIRE STRIP LENGTH: 0.175±0.029(4.43±0.74). BROKEN OR MISSING CONDUCTOR STRANDS ARE NOT ACCEPTABLE. USE A BLADE MICROMETER (0.100[2.54] MIN SPINDLE AND 0.060[0.010][1.50][0.040] ANVIL) TO MEASURE THE CONDUCTOR CRIMP. SEE SECTION AA.
- CRIMP TENSILE STRENGTH IS DETERMINED AT A PULL RATE SPEED OF 1.00 INCH(2.54) PER MINUTE. INSULATION WINGS ARE REMOVED FOR TEST. ACTUAL CRIMP TENSILE STRENGTH DEPENDS ON WIRE/CONDUCTOR SIZE. VALUES ON THIS SPECIFICATION ARE FOR REFERENCE ONLY.
- INSULATION DIAMETER RANGE IS DETERMINED BY CONNECTOR AND ITS WIRE SEAL SIZE. SEE CONNECTOR DRAWING FOR INSULATION RANGE.
- INSULATION CRIMP DIAMETER SHOULD BE THE EQUAL OR LESS THAN THE DIAMETER OF THE WIRE INSULATION (HARD OR TEFLON INSULATION MAY BE AN EXCEPTION). INSULATION CRIMP SHALL NOT AFFECT REMOVAL TOOL PERFORMANCE AND SHALL NOT DAMAGE CONNECTOR GROMMET SEAL.
- CONDUCTOR TYPE ARE PER SAE J1128(AWG) AND ISO 6722(METRIC)
- FOR CONTACT MATERIAL AND PERFORMANCE DATA, SEE DRAWING S2-15217.
- REFER TO S2-15223 AND S2-15224 AND CROSS REFERENCE CHARTS FOR CRIMP TOOL DATA.



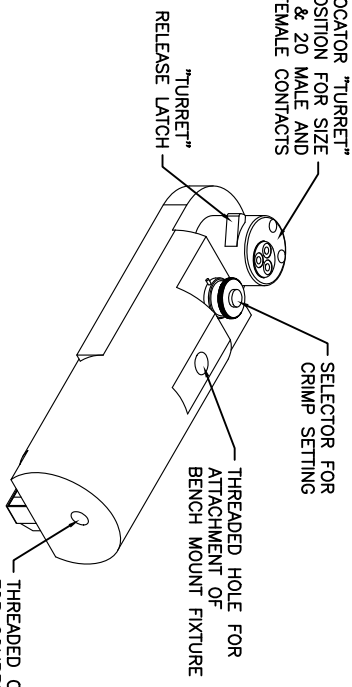
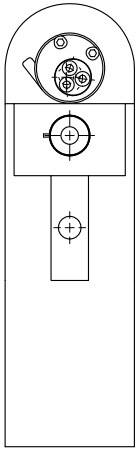
ALL REFERENCES TO DEUTSCH PRODUCTS OR SPECIFICATIONS ARE FOR COMPARISON PURPOSES ONLY, AND REFER TO DEUTSCH INDUSTRIAL PRODUCTS.

QUANTITY	PART NUMBER	MATERIALS LIST	DESCRIPTION	ITEM
		SIGNATURES	DATE	
UNLESS OTHERWISE SPECIFIED				
1) All dimensions are in inches.				
2) Force is in pounds (lbs) and Newtons (N).				
3) Plating suffix Alpha 31/4.				
4) Reduction Standard Per: MIL-STD-20020				
5) Material Specification: NA				
PROCESS SPECIFICATIONS:				
THE USE OF THIS DRAWING IS SPECIFIC TO THE PART NUMBER AND PERFORMANCE DATA. ALL DIMENSIONS ARE SUBJECT TO NORMAL DOCUMENTS RETAINED HEREON. ANY CHANGES WILL BE NOTICED BY THE CUSTOMER.				
CUSTOMER: BERLIN 6/8/09				
CRIMP DATA, STAMPED CONTACTS FOR CRIMPER MFX-3953				
SIZE: TYPICAL DIMENSIONS: C 10K44				
SCALE: NONE				
S2-15221				
SHEET 1 OF 1				

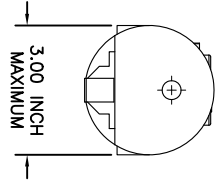
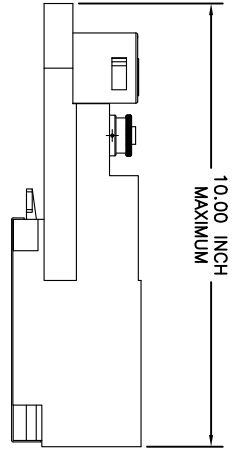
REV	ZONE	ECO	DESCRIPTION	DATE	BY	APP
A1	-	-	RELEASE NUMBER 016971	6/12/09	B.D.B.	M.F.F.

REV ISIONS		DESCRIPTION	DATE	BY	APPR
REV	ZONE	ECO	RELEASE NUMBER	B.D.B.	M.R.F.
A1	-	-	016571	6/12/09	

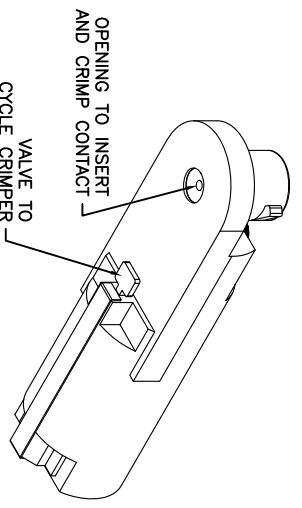
CONTACT LOCATOR "TURRET"
THREE POSITION FOR SIZE
12, 16 & 20 MALE AND
FEMALE CONTACTS



THREADED OPENING
FOR COMPRESSED
AIR FITTING



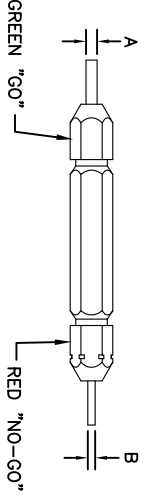
- NOTES:
1. THE CA-5E12 IS A COMPRESSED AIR OPERATED HAND CRIMPER FOR ELECTRICAL CONTACTS. IT IS ADJUSTABLE TO 3 CONTACT SIZES (12, 16 & 20) AND 8 INDENTER CRIMP POSITIONS FOR DIFFERENT WIRE SIZES (12AWG THRU 26 AWG).
 2. 80-120 PSI COMPRESSED AIR.
 3. WEIGHT: 3.1 LBS
 4. SELECTING CONTACT SIZE: PRESS THE RELEASE LATCH ON SIDE OF THE CONTACT LOCATOR "TURRET". ROTATE TO THE DESIRED CONTACT SIZE. THE TOP OF THE "TURRET" IS EMBOSSED WITH THE CONTACT SIZES.
 5. SELECTING WIRE SIZE: GRASP THE SELECTOR AND ROTATE TO THE DESIRED NUMBER.



GAGE PART NO.	A GO DIA.	B NO-GO DIA.	SELECTOR NUMBER
G125	.0390	.0440	4

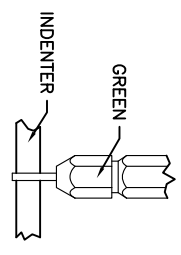
GAGING INSTRUCTIONS

CAUTION!
DO NOT CRIMP GAGE!

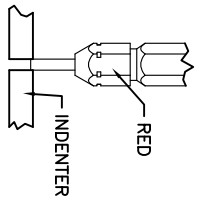


"GO" GAGING: OPERATE TOOL TO FULLY CLOSED POSITION. INSERT "GO" GAGE END AS SHOWN. GAGE MUST PASS FREELY BETWEEN INDENTER TIPS.

"NO-GO" GAGING: OPERATE TOOL TO FULLY CLOSED POSITION. INSERT "NO-GO" GAGE END AS SHOWN. THE "NO-GO" MAY PARTIALLY ENTER THE INDENTER OPENING, BUT MUST NOT PASS COMPLETELY THROUGH THE OPENING.



SELECTOR NUMBER	A GO DIA.	B NO-GO DIA.
1	.0280	.0330
2	.0320	.0370
3	.0360	.0410
4	.0390	.0440
5	.0450	.0500
6	.0520	.0570
7	.0590	.0640
8	.0880	.0730



CONTACT SIZE	LOCATOR "TURRET" POSITION	WIRE COLOR	SELECTOR NUMBER
20-20	RED	1	2
16-22	BLUE	4	5
16-20	BLUE	1	2
16-16	BLUE	4	5
12-16	YELLOW	4	5
12-12	YELLOW		7
			8

MATERIALS LIST

QUANTITY	PART NUMBER	DESCRIPTION	ITEM

SINE Systems Corporation
A Subsidiary of Amphenol Corporation
44724 Mowley Drive
Canton Township, MI 48036

INSTRUCTIONS FOR CA-5E12 CRIMPER, PNEUMATIC

SIZE: 10K44
SCALE: NONE
S2-15220
SHEET: 1 OF 1

UNLESS OTHERWISE SPECIFIED
1) All dimensions are in inches.
2) DIMENSIONS ARE TO CENTER UNLESS NOTED OTHERWISE.
3) FINISH: 30.00 Ra
4) TOLERANCES: ANGLES ±1/4°
5) FINISH: 30.00 Ra
6) FINISH: 30.00 Ra
7) FINISH: 30.00 Ra
8) FINISH: 30.00 Ra
9) FINISH: 30.00 Ra
10) FINISH: 30.00 Ra
11) FINISH: 30.00 Ra
12) FINISH: 30.00 Ra
13) FINISH: 30.00 Ra
14) FINISH: 30.00 Ra
15) FINISH: 30.00 Ra
16) FINISH: 30.00 Ra
17) FINISH: 30.00 Ra
18) FINISH: 30.00 Ra
19) FINISH: 30.00 Ra
20) FINISH: 30.00 Ra
21) FINISH: 30.00 Ra
22) FINISH: 30.00 Ra
23) FINISH: 30.00 Ra
24) FINISH: 30.00 Ra
25) FINISH: 30.00 Ra
26) FINISH: 30.00 Ra
27) FINISH: 30.00 Ra
28) FINISH: 30.00 Ra
29) FINISH: 30.00 Ra
30) FINISH: 30.00 Ra
31) FINISH: 30.00 Ra
32) FINISH: 30.00 Ra
33) FINISH: 30.00 Ra
34) FINISH: 30.00 Ra
35) FINISH: 30.00 Ra
36) FINISH: 30.00 Ra
37) FINISH: 30.00 Ra
38) FINISH: 30.00 Ra
39) FINISH: 30.00 Ra
40) FINISH: 30.00 Ra
41) FINISH: 30.00 Ra
42) FINISH: 30.00 Ra
43) FINISH: 30.00 Ra
44) FINISH: 30.00 Ra
45) FINISH: 30.00 Ra
46) FINISH: 30.00 Ra
47) FINISH: 30.00 Ra
48) FINISH: 30.00 Ra
49) FINISH: 30.00 Ra
50) FINISH: 30.00 Ra
51) FINISH: 30.00 Ra
52) FINISH: 30.00 Ra
53) FINISH: 30.00 Ra
54) FINISH: 30.00 Ra
55) FINISH: 30.00 Ra
56) FINISH: 30.00 Ra
57) FINISH: 30.00 Ra
58) FINISH: 30.00 Ra
59) FINISH: 30.00 Ra
60) FINISH: 30.00 Ra
61) FINISH: 30.00 Ra
62) FINISH: 30.00 Ra
63) FINISH: 30.00 Ra
64) FINISH: 30.00 Ra
65) FINISH: 30.00 Ra
66) FINISH: 30.00 Ra
67) FINISH: 30.00 Ra
68) FINISH: 30.00 Ra
69) FINISH: 30.00 Ra
70) FINISH: 30.00 Ra
71) FINISH: 30.00 Ra
72) FINISH: 30.00 Ra
73) FINISH: 30.00 Ra
74) FINISH: 30.00 Ra
75) FINISH: 30.00 Ra
76) FINISH: 30.00 Ra
77) FINISH: 30.00 Ra
78) FINISH: 30.00 Ra
79) FINISH: 30.00 Ra
80) FINISH: 30.00 Ra
81) FINISH: 30.00 Ra
82) FINISH: 30.00 Ra
83) FINISH: 30.00 Ra
84) FINISH: 30.00 Ra
85) FINISH: 30.00 Ra
86) FINISH: 30.00 Ra
87) FINISH: 30.00 Ra
88) FINISH: 30.00 Ra
89) FINISH: 30.00 Ra
90) FINISH: 30.00 Ra
91) FINISH: 30.00 Ra
92) FINISH: 30.00 Ra
93) FINISH: 30.00 Ra
94) FINISH: 30.00 Ra
95) FINISH: 30.00 Ra
96) FINISH: 30.00 Ra
97) FINISH: 30.00 Ra
98) FINISH: 30.00 Ra
99) FINISH: 30.00 Ra
100) FINISH: 30.00 Ra

REV ZONE		ECO		REVISIONS		DESCRIPTION	DATE	BY	APPR
AI	-	-	-	RELEASE NUMBER	016571		6/12/09	B.D.B.	M.R.F.

CONTACT LOCATOR
"TURRET"
THREE POSITIONS FOR
SIZE 12, 16 & 20 MALE
AND FEMALE CONTACTS

"TURRET" RELEASE LATCH

6.25 INCH
MAXIMUM
OPEN

2.30 INCH
MAXIMUM
CLOSED

SELECTOR FOR CRIMP
SETTING

1.125 INCH MAX.

9.75 INCH MAXIMUM

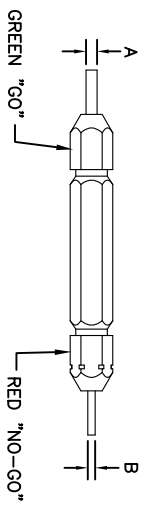
1.00 INCH MAX.

- NOTES:
- THE CA-5D12 IS A HAND OPERATED CRIMPER FOR ELECTRICAL CONTACTS. IT IS ADJUSTABLE TO 3 CONTACT SIZES (12, 16 & 20) AND 8 INDENTER CRIMP POSITIONS FOR DIFFERENT WIRE SIZES (12AWG THRU 26 AWG).
 - WEIGHT: 1.64 LBS
 - SELECTING CONTACT SIZE: PRESS THE RELEASE LATCH ON SIDE OF THE CONTACT LOCATOR "TURRET". ROTATE TO THE DESIRED CONTACT SIZE. THE TOP OF THE "TURRET" IS EMBOSSED WITH THE CONTACT SIZES.
 - SELECTING WIRE SIZE: REMOVE THE LOCKING CLIP. GRASP THE SELECTOR AND ROTATE TO THE DESIRED NUMBER.

GAGE PART NO.	A GO DIA.	B NO-GO DIA.	SELECTOR NUMBER
G125	.0390	.0440	4

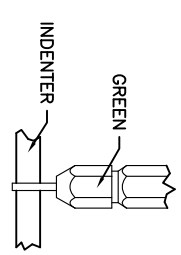
GAGING INSTRUCTIONS

CAUTION!
DO NOT CRIMP GAGE!



"GO" GAGING: OPERATE TOOL TO FULLY CLOSED POSITION. INSERT "GO" GAGE END AS SHOWN. GAGE MUST PASS FREELY BETWEEN INDENTER TIPS.

"NO-GO" GAGING: OPERATE TOOL TO FULLY CLOSED POSITION. INSERT "NO-GO" GAGE END AS SHOWN. THE "NO-GO" MAY PARTIALLY ENTER THE INDENTER OPENING, BUT MUST NOT PASS COMPLETELY THROUGH THE OPENING.



SELECTOR NUMBER	A GO DIA.	B NO-GO DIA.
1	.0280	.0330
2	.0320	.0370
3	.0360	.0410
4	.0390	.0440
5	.0450	.0500
6	.0520	.0570
7	.0590	.0640
8	.0880	.0730

CONTACT SIZE	LOCATOR "TURRET" POSITION	WIRE COLOR	1	2	3	4	5	6	7	8
20-20	RED	1	2	3	4					
16-22	BLUE	4	5	6						
16-20	BLUE	1	2	3	4					
16-16	BLUE	4	5	6						
12-16	YELLOW	4	5	6						
12-12	YELLOW									8

QUANTITY PART NUMBER MATERIALS LIST DESCRIPTION ITEM

UNLESS OTHERWISE SPECIFIED:
 1) All dimensions are in inches.
 2) Pl. DEC 30/00
 3) Pl. DEC 30/00
 4) Pl. DEC 30/00
 5) Pl. DEC 30/00
 6) Pl. DEC 30/00
 7) Pl. DEC 30/00
 8) Pl. DEC 30/00
 9) Pl. DEC 30/00
 10) Pl. DEC 30/00
 11) Pl. DEC 30/00
 12) Pl. DEC 30/00
 13) Pl. DEC 30/00
 14) Pl. DEC 30/00
 15) Pl. DEC 30/00
 16) Pl. DEC 30/00
 17) Pl. DEC 30/00
 18) Pl. DEC 30/00
 19) Pl. DEC 30/00
 20) Pl. DEC 30/00
 21) Pl. DEC 30/00
 22) Pl. DEC 30/00
 23) Pl. DEC 30/00
 24) Pl. DEC 30/00
 25) Pl. DEC 30/00
 26) Pl. DEC 30/00
 27) Pl. DEC 30/00
 28) Pl. DEC 30/00
 29) Pl. DEC 30/00
 30) Pl. DEC 30/00
 31) Pl. DEC 30/00
 32) Pl. DEC 30/00
 33) Pl. DEC 30/00
 34) Pl. DEC 30/00
 35) Pl. DEC 30/00
 36) Pl. DEC 30/00
 37) Pl. DEC 30/00
 38) Pl. DEC 30/00
 39) Pl. DEC 30/00
 40) Pl. DEC 30/00
 41) Pl. DEC 30/00
 42) Pl. DEC 30/00
 43) Pl. DEC 30/00
 44) Pl. DEC 30/00
 45) Pl. DEC 30/00
 46) Pl. DEC 30/00
 47) Pl. DEC 30/00
 48) Pl. DEC 30/00
 49) Pl. DEC 30/00
 50) Pl. DEC 30/00
 51) Pl. DEC 30/00
 52) Pl. DEC 30/00
 53) Pl. DEC 30/00
 54) Pl. DEC 30/00
 55) Pl. DEC 30/00
 56) Pl. DEC 30/00
 57) Pl. DEC 30/00
 58) Pl. DEC 30/00
 59) Pl. DEC 30/00
 60) Pl. DEC 30/00
 61) Pl. DEC 30/00
 62) Pl. DEC 30/00
 63) Pl. DEC 30/00
 64) Pl. DEC 30/00
 65) Pl. DEC 30/00
 66) Pl. DEC 30/00
 67) Pl. DEC 30/00
 68) Pl. DEC 30/00
 69) Pl. DEC 30/00
 70) Pl. DEC 30/00
 71) Pl. DEC 30/00
 72) Pl. DEC 30/00
 73) Pl. DEC 30/00
 74) Pl. DEC 30/00
 75) Pl. DEC 30/00
 76) Pl. DEC 30/00
 77) Pl. DEC 30/00
 78) Pl. DEC 30/00
 79) Pl. DEC 30/00
 80) Pl. DEC 30/00
 81) Pl. DEC 30/00
 82) Pl. DEC 30/00
 83) Pl. DEC 30/00
 84) Pl. DEC 30/00
 85) Pl. DEC 30/00
 86) Pl. DEC 30/00
 87) Pl. DEC 30/00
 88) Pl. DEC 30/00
 89) Pl. DEC 30/00
 90) Pl. DEC 30/00
 91) Pl. DEC 30/00
 92) Pl. DEC 30/00
 93) Pl. DEC 30/00
 94) Pl. DEC 30/00
 95) Pl. DEC 30/00
 96) Pl. DEC 30/00
 97) Pl. DEC 30/00
 98) Pl. DEC 30/00
 99) Pl. DEC 30/00
 100) Pl. DEC 30/00

PROCESS SPECIFICATIONS:
 NONE
 APPROVAL: BERNIM 6/3/09
 CUSTOMER: BERNIM 6/3/09
 THE USE OF THIS DRAWING IS LIMITED TO THE SPECIFICATIONS AND REQUIREMENTS OF THE ORIGINAL DRAWING. ANY REVISIONS OR MODIFICATIONS ARE SUBJECT TO ORIGINAL DRAWING. REVISED HEREON. ALL DIMENSIONS REFERENCED HEREON ARE IN UNITS OF INCHES UNLESS OTHERWISE SPECIFIED.
 SIZE: 10K44
 SCALE: NONE
 INSTRUCTIONS FOR CA-5D12 CRIMPER, HAND, MACHINED CONTACTS
 S2-15219
 SHEET 1 OF 1

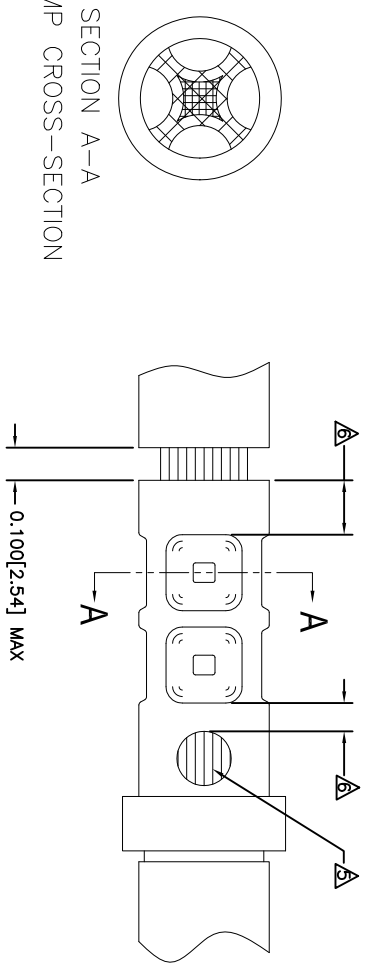
REVISIONS			
REV	ZONE	ECO	DESCRIPTION
A1	-	-	RELEASE NUMBER 016571
			DATE
			6/12/09
			BY
			B.D.B.
			APPR
			M.R.F.

CONTACT P/N	SIZE TYPE	WIRE SIZE	REF. ONLY TENSILE LBS[<u>N</u>]
AT60-202-16XX	16PIN	1.5mm ² 16AWG	35[156]
AT62-201-16XX	16SOC	1.0mm ² 18AWG 0.75mm ² 20AWG	25[111]
△		0.50mm ²	20[89]

RECOMMENDED STRIP LENGTH	
CONTACT SIZE	STRIP LENGTH INCH[MM]
16	0.250-0.312[6.35-7.92]

CRIMP TOOLING						
CONTACT SIZE	CRIMP TOOL PART NUMBER	CONTACT LOCATOR "TURRET" POSITION	WIRE SELECTOR NUMBER	GO GAGE INCH[MM]	"NOGO" GAGE INCH[MM]	REMARKS
16	CA-5D12 CA-5E12	BLUE	6	0.052[1.32]	0.057[1.45]	
16	CA-5D12 CA-5E12	BLUE	4	0.039[.991]	0.044[1.12]	SIZE 16 WITH 20 AWG WIRE

- NOTES: UNLESS OTHERWISE SPECIFIED
- △ MINIMUM +/-0.0005 [0.013] TOLERANCE STEEL GAGE PINS. DO NOT CRIMP GAGE PINS. CLOSE DIE, THEN USE GAGE PINS.
 - △ WHEN XX=31, CONTACT PLATING IS GOLD WHEN XX=141, CONTACT PLATING IS NICKEL
 - △ PULL RATE OF 1.0 IN [25.4] PER MINUTE. ACTUAL STRENGTH DEPENDS ON WIRE SIZE.
 - 4. FOR CONTACT PERFORMANCE, MATERIAL SPECIFICATIONS AND APPLICATION DETAILS, SEE DRAWING S2-15217. CONDUCTOR STRANDS MUST BE VISIBLE THRU THE INSPECTION HOLE PRIOR TO CRIMP.
 - △ PROPER CRIMP TOOLING WILL PRODUCE A CRIMP CENTERED BETWEEN THE INSPECTION HOLE AND CRIMP BARREL END.
 - 8. WIRE SIZES PER SAE J1128 AND J1560 [DIN 72551-6] REFERENCE INSTRUCTION MANUALS S2-15219 AND S2-15220 FOR CA-5D12 AND CA-5E12 HAND AND PNEUMATIC CRIMPER.
 - △ THE CRIMP HEIGHT DIMENSION AFTER CRIMPING MAY VARY FROM THE VALUES LISTED FOR THE "GO-NOGO" PINS.



QUANTITY	PART NUMBER	DESCRIPTION	ITEM
MATERIALS LIST			
UNLESS OTHERWISE SPECIFIED	SIGNATURES	DATE	
1) All dimensions are in inches.	DRAWN: BERNIM	6/3/09	
2) All dimensions are in millimeters.	CHECKED: RONCE	6/3/09	
3) Pl. SEE 440.01	ENGINEER: BERNIM		
4) Pl. SEE 440.01	APPROVAL: BERNIM	6/3/09	
5) Fabrication Standards Per: U	CUSTOMER:		
6) Pl. SEE 440.01			
7) Pl. SEE 440.01			
8) Pl. SEE 440.01			
9) Pl. SEE 440.01			
10) Pl. SEE 440.01			
11) Pl. SEE 440.01			
12) Pl. SEE 440.01			
13) Pl. SEE 440.01			
14) Pl. SEE 440.01			
15) Pl. SEE 440.01			
16) Pl. SEE 440.01			
17) Pl. SEE 440.01			
18) Pl. SEE 440.01			
19) Pl. SEE 440.01			
20) Pl. SEE 440.01			

CRIMP INFORMATION

SOLID MACHINED CONTACTS

SIZE [PSID NUMBER] S2-15218

SCALE NONE

SHEET 1 OF 1

REV: A1

DWG NO: S2-15218

DATE: 6/3/09

DESIGNER: BERNIM

CHECKED: RONCE

APPROVAL: BERNIM

CUSTOMER: MA

PROCESS SPECIFICATIONS:

THE USE OF THIS DRAWING IS LIMITED TO THE SPECIFICATIONS AND PERFORMANCE DATA LISTED HEREIN. ANY OTHER USE IS WITHOUT THE WRITTEN PERMISSION OF AMPHENOL CORPORATION. ALL DIMENSIONS ARE SUBJECT TO NORMAL MANUFACTURING VARIATIONS UNLESS OTHERWISE SPECIFIED. DRAWING RESTRICTED TO ORIGINAL OWNER UNLESS OTHERWISE SPECIFIED.

4

3

2

1

REVISIONS						
REV	ZONE	ECO	DESCRIPTION	DATE	BY	APPR
A1	-	-	RELEASE NUMBER 016571	6/12/09	B.D.B.	M.R.F.

SOLID CONTACT SIZE	SOLID CONTACT PART NUMBERS		WIRE SIZE AVG (mm ²)	RECOMMENDED STRIP LENGTH INCH (mm)	MIN CONTACT RETENTION LBS (N)	REF CRIMP TENSILE LBS (N)	MAX RATED AMPS@125°C CONTINUOUS
	PN	SOCKET					
16	AT60-202-16**	AT62-201-16**	16-20 [1.5-0.5]	0.25-0.31 [6.35-7.92]	25 [1111]	35-20 [156-89]	13

S&P CONTACT SIZE	STAMPED CONTACT PART NUMBERS		WIRE SIZE AVG (mm ²)	WIRE INSULATION O.D. RANGE	RECOMMENDED STRIP LENGTH INCH (mm)	MIN CONTACT RETENTION LBS (N)	REF CRIMP TENSILE LBS (N)	MAX RATED AMPS@125°C CONTINUOUS
	PN	SOCKET						
16	AT60-14-01**	AT62-14-01**	14-16 [2.0-1.0]	.100 - .150 [2.54 - 3.81]	0.150-0.200 [3.81-5.08]	25 [1111]	25 [1111]	13
16	AT60-16-01**	AT62-16-01**	16-18 [1.0-0.75]	.075 - .100 [1.90 - 2.54]	0.150-0.200 [3.81-5.08]	25 [1111]	25 [1111]	13
16	AT60-16-06**	AT62-16-06**	18-20 [0.75-0.50]	.055 - .095 [1.40 - 2.41]	0.150-0.200 [3.81-5.08]	25 [1111]	25-15 [111-67]	13

CONTACT RESISTANCE STRENGTH (LESS DROP THROUGH WIRE)

WIRE AWG	TEST CURRENT	MILLIVOLT DROP SOLID	MILLIVOLT DROP S&P
14	18	60	100
16	13	60	100
18	10	60	100
20	7.5	60	100

MATERIAL SPECIFICATION AND PLATING ** CODES

PN: COPPER ALLOY
SOCKET: COPPER ALLOY WITH STAINLESS STEEL SLEEVE

SOLID MACHINED CONTACT PLATING OPTIONS: Δ
31= GOLD*
141= NICKEL

STAMPED CONTACT PLATING OPTIONS: Δ
22= NICKEL
44= GOLD*
89= SELECTIVE GOLD*

GOLD* PLATING IS AVAILABLE (RECOMMENDED) FOR ONLY (<5V) CIRCUIT APPLICATIONS
MATERIALS AND PLATINGS ARE ROHS COMPLIANT

NOTES: UNLESS OTHERWISE SPECIFIED

- ALL DIMENSIONS ARE INCHES(MM).
- ALL FORCES ARE IN LBS(POUNDS) AND "N" (NEWTONS).
- CONTACT RETENTION TEST PULL RATE SHALL BE 1.0 INCH/2S. 4) PER MINUTE MAXIMUM. WIRE SIZE WILL AFFECT THE TRUE STRENGTH OF THE CRIMP.
- WIRE SIZES AND INSULATION RANGES ARE FOR REFERENCE ONLY. THE ACTUAL INSULATION RANGE DEPENDS ON CONNECTOR GROMMET SEALING SIZE.

SEE SPECIFICATIONS LISTED BELOW FOR INDIVIDUAL CRIMP INFORMATION:

"SOLID" CONTACTS	SIZE	"STAMPED" CONTACTS	SIZE
	S2-15218	S2-15222	16
		S2-15221	16/20

- MAXIMUM RATED CURRENT IN CHART DEPENDS ON CONTACT SIZE. ACTUAL RATED CURRENT DEPENDS ON WIRE SIZE.
- CONTACT FACTORY FOR ALL AVAILABLE PLATING ON SPECIFIC CONTACTS.
- AMPHENOL SINE PERFORMANCE SPECIFICATIONS REQUIRE THE USE OF AMPHENOL SINE APPROVED TOOLING.

PART NUMBER		DESCRIPTION		ITEM
MATERIALS LIST		SINE SYSTEMS CORPORATION		
QUANTITY	UNLESS OTHERWISE SPECIFIED	SIGNATURES	DATE	
	1) All dimensions are in inches. 2) All dimensions are in millimeters. 3) Pl. SEE 30.00 1 Proforma 31/14 4) Pl. SEE 30.01 1 Proforma 31/14 5) Proforma Standards Per: 6) Pl. SEE 30.02 1 Proforma 31/14 7) Pl. SEE 30.03 1 Proforma 31/14 8) Pl. SEE 30.04 1 Proforma 31/14 9) Pl. SEE 30.05 1 Proforma 31/14 10) Pl. SEE 30.06 1 Proforma 31/14 11) Pl. SEE 30.07 1 Proforma 31/14 12) Pl. SEE 30.08 1 Proforma 31/14 13) Pl. SEE 30.09 1 Proforma 31/14 14) Pl. SEE 30.10 1 Proforma 31/14 15) Pl. SEE 30.11 1 Proforma 31/14 16) Pl. SEE 30.12 1 Proforma 31/14 17) Pl. SEE 30.13 1 Proforma 31/14 18) Pl. SEE 30.14 1 Proforma 31/14 19) Pl. SEE 30.15 1 Proforma 31/14 20) Pl. SEE 30.16 1 Proforma 31/14 21) Pl. SEE 30.17 1 Proforma 31/14 22) Pl. SEE 30.18 1 Proforma 31/14 23) Pl. SEE 30.19 1 Proforma 31/14 24) Pl. SEE 30.20 1 Proforma 31/14 25) Pl. SEE 30.21 1 Proforma 31/14 26) Pl. SEE 30.22 1 Proforma 31/14 27) Pl. SEE 30.23 1 Proforma 31/14 28) Pl. SEE 30.24 1 Proforma 31/14 29) Pl. SEE 30.25 1 Proforma 31/14 30) Pl. SEE 30.26 1 Proforma 31/14 31) Pl. SEE 30.27 1 Proforma 31/14 32) Pl. SEE 30.28 1 Proforma 31/14 33) Pl. SEE 30.29 1 Proforma 31/14 34) Pl. SEE 30.30 1 Proforma 31/14 35) Pl. SEE 30.31 1 Proforma 31/14 36) Pl. SEE 30.32 1 Proforma 31/14 37) Pl. SEE 30.33 1 Proforma 31/14 38) Pl. SEE 30.34 1 Proforma 31/14 39) Pl. SEE 30.35 1 Proforma 31/14 40) Pl. SEE 30.36 1 Proforma 31/14 41) Pl. SEE 30.37 1 Proforma 31/14 42) Pl. SEE 30.38 1 Proforma 31/14 43) Pl. SEE 30.39 1 Proforma 31/14 44) Pl. SEE 30.40 1 Proforma 31/14 45) Pl. SEE 30.41 1 Proforma 31/14 46) Pl. SEE 30.42 1 Proforma 31/14 47) Pl. SEE 30.43 1 Proforma 31/14 48) Pl. SEE 30.44 1 Proforma 31/14 49) Pl. SEE 30.45 1 Proforma 31/14 50) Pl. SEE 30.46 1 Proforma 31/14 51) Pl. SEE 30.47 1 Proforma 31/14 52) Pl. SEE 30.48 1 Proforma 31/14 53) Pl. SEE 30.49 1 Proforma 31/14 54) Pl. SEE 30.50 1 Proforma 31/14 55) Pl. SEE 30.51 1 Proforma 31/14 56) Pl. SEE 30.52 1 Proforma 31/14 57) Pl. SEE 30.53 1 Proforma 31/14 58) Pl. SEE 30.54 1 Proforma 31/14 59) Pl. SEE 30.55 1 Proforma 31/14 60) Pl. SEE 30.56 1 Proforma 31/14 61) Pl. SEE 30.57 1 Proforma 31/14 62) Pl. SEE 30.58 1 Proforma 31/14 63) Pl. SEE 30.59 1 Proforma 31/14 64) Pl. SEE 30.60 1 Proforma 31/14 65) Pl. SEE 30.61 1 Proforma 31/14 66) Pl. SEE 30.62 1 Proforma 31/14 67) Pl. SEE 30.63 1 Proforma 31/14 68) Pl. SEE 30.64 1 Proforma 31/14 69) Pl. SEE 30.65 1 Proforma 31/14 70) Pl. SEE 30.66 1 Proforma 31/14 71) Pl. SEE 30.67 1 Proforma 31/14 72) Pl. SEE 30.68 1 Proforma 31/14 73) Pl. SEE 30.69 1 Proforma 31/14 74) Pl. SEE 30.70 1 Proforma 31/14 75) Pl. SEE 30.71 1 Proforma 31/14 76) Pl. SEE 30.72 1 Proforma 31/14 77) Pl. SEE 30.73 1 Proforma 31/14 78) Pl. SEE 30.74 1 Proforma 31/14 79) Pl. SEE 30.75 1 Proforma 31/14 80) Pl. SEE 30.76 1 Proforma 31/14 81) Pl. SEE 30.77 1 Proforma 31/14 82) Pl. SEE 30.78 1 Proforma 31/14 83) Pl. SEE 30.79 1 Proforma 31/14 84) Pl. SEE 30.80 1 Proforma 31/14 85) Pl. SEE 30.81 1 Proforma 31/14 86) Pl. SEE 30.82 1 Proforma 31/14 87) Pl. SEE 30.83 1 Proforma 31/14 88) Pl. SEE 30.84 1 Proforma 31/14 89) Pl. SEE 30.85 1 Proforma 31/14 90) Pl. SEE 30.86 1 Proforma 31/14 91) Pl. SEE 30.87 1 Proforma 31/14 92) Pl. SEE 30.88 1 Proforma 31/14 93) Pl. SEE 30.89 1 Proforma 31/14 94) Pl. SEE 30.90 1 Proforma 31/14 95) Pl. SEE 30.91 1 Proforma 31/14 96) Pl. SEE 30.92 1 Proforma 31/14 97) Pl. SEE 30.93 1 Proforma 31/14 98) Pl. SEE 30.94 1 Proforma 31/14 99) Pl. SEE 30.95 1 Proforma 31/14 100) Pl. SEE 30.96 1 Proforma 31/14 101) Pl. SEE 30.97 1 Proforma 31/14 102) Pl. SEE 30.98 1 Proforma 31/14 103) Pl. SEE 30.99 1 Proforma 31/14 104) Pl. SEE 30.100 1 Proforma 31/14	DATE		
PROCESS SPECIFICATIONS:		DATE		
NEXT ASSY:		DATE		



Компания «ЭлектроПласт» предлагает заключение долгосрочных отношений при поставках импортных электронных компонентов на взаимовыгодных условиях!

Наши преимущества:

- Оперативные поставки широкого спектра электронных компонентов отечественного и импортного производства напрямую от производителей и с крупнейших мировых складов;
- Поставка более 17-ти миллионов наименований электронных компонентов;
- Поставка сложных, дефицитных, либо снятых с производства позиций;
- Оперативные сроки поставки под заказ (от 5 рабочих дней);
- Экспресс доставка в любую точку России;
- Техническая поддержка проекта, помощь в подборе аналогов, поставка прототипов;
- Система менеджмента качества сертифицирована по Международному стандарту ISO 9001;
- Лицензия ФСБ на осуществление работ с использованием сведений, составляющих государственную тайну;
- Поставка специализированных компонентов (Xilinx, Altera, Analog Devices, Intersil, Interpoint, Microsemi, Aeroflex, Peregrine, Syfer, Eurofarad, Texas Instrument, Miteq, Cobham, E2V, MA-COM, Hittite, Mini-Circuits, General Dynamics и др.);

Помимо этого, одним из направлений компании «ЭлектроПласт» является направление «Источники питания». Мы предлагаем Вам помощь Конструкторского отдела:

- Подбор оптимального решения, техническое обоснование при выборе компонента;
- Подбор аналогов;
- Консультации по применению компонента;
- Поставка образцов и прототипов;
- Техническая поддержка проекта;
- Защита от снятия компонента с производства.



Как с нами связаться

Телефон: 8 (812) 309 58 32 (многоканальный)

Факс: 8 (812) 320-02-42

Электронная почта: org@eplast1.ru

Адрес: 198099, г. Санкт-Петербург, ул. Калинина, дом 2, корпус 4, литера А.