

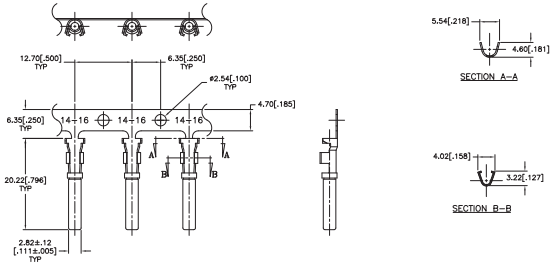
## STAMPED AND FORMED CONTACTS, PG 1 of 2

Click on [blue underlined part numbers](#) to be taken to their spec sheets.

### OPTIONS

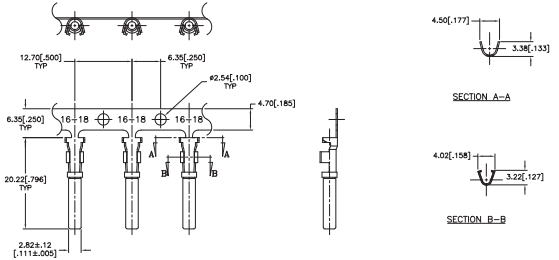
**PART NUMBER:** [AT62-14-01XX](#)  
**DESCRIPTION:** CONTACT, SOCKET, STAMPED, SIZE 16

**MATERIAL:**  
 CONTACT BODY: COPPER ALLOY  
 HOOD: STAINLESS STEEL  
**PLATING SUFFIX CODE:**  
 XX=22 NICKEL PLATING  
 XX=44 GOLD PLATING  
**CONTACT GENERAL DATA SPECIFICATION:** S2-15217  
**AVAILABLE CRIMPERS:** ATT-16-00, MFX-3950 & MFX-3953  
**CRIMPER SPECIFICATIONS:** S2-15223 & S2-15224  
**CRIMP INFORMATION DRAWING:** S2-15221 & S2-15222  
**CONTACTS PER REEL:** APPROX. 4000 (PARTIAL REELS AVAILABLE)



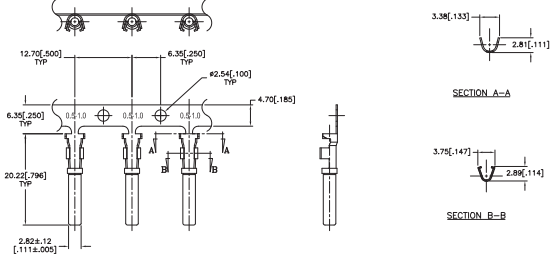
**PART NUMBER:** [AT62-16-01XX](#)  
**DESCRIPTION:** CONTACT, SOCKET, STAMPED, SIZE 16

**MATERIAL:**  
 CONTACT BODY: COPPER ALLOY  
 HOOD: STAINLESS STEEL  
**PLATING SUFFIX CODE:**  
 XX=22 NICKEL PLATING  
 XX=44 GOLD PLATING  
**CONTACT GENERAL DATA SPECIFICATION:** S2-15217  
**AVAILABLE CRIMPERS:** ATT-16-00, ATT-16-01, MFX-3950 & MFX-3953  
**CRIMPER SPECIFICATIONS:** S2-15223 & S2-15224  
**CRIMP INFORMATION DRAWING:** S2-15221 & S2-15222  
**CONTACTS PER REEL:** APPROX. 4000 (PARTIAL REELS AVAILABLE)



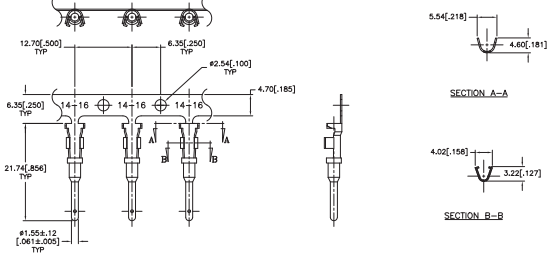
**PART NUMBER:** [AT62-16-06XX](#)  
**DESCRIPTION:** CONTACT, SOCKET, STAMPED, SIZE 16

**MATERIAL:**  
 CONTACT BODY: COPPER ALLOY  
 HOOD: STAINLESS STEEL  
**PLATING SUFFIX CODE:**  
 XX=22 NICKEL PLATING  
 XX=44 GOLD PLATING  
**CONTACT GENERAL DATA SPECIFICATION:** S2-15217  
**AVAILABLE CRIMPERS:** ATT-16-01, MFX-3950 & MFX-3953  
**CRIMPER SPECIFICATIONS:** S2-15223 & S2-15224  
**CRIMP INFORMATION DRAWING:** S2-15221 & S2-15222  
**CONTACTS PER REEL:** APPROX. 4000 (PARTIAL REELS AVAILABLE)



**PART NUMBER:** [AT60-14-01XX](#)  
**DESCRIPTION:** CONTACT, PIN, STAMPED, SIZE 16

**MATERIAL:** COPPER ALLOY  
**PLATING SUFFIX CODE:**  
 XX=22 NICKEL PLATING  
 XX=44 GOLD PLATING  
**CONTACT GENERAL DATA SPECIFICATION:** S2-15217  
**AVAILABLE CRIMPERS:** ATT-16-00, MFX-3950 & MFX-3953  
**CRIMPER SPECIFICATIONS:** S2-15223 & S2-15224  
**CRIMP INFORMATION DRAWING:** S2-15221 & S2-15222  
**CONTACTS PER REEL:** APPROX. 4000 (PARTIAL REELS AVAILABLE)

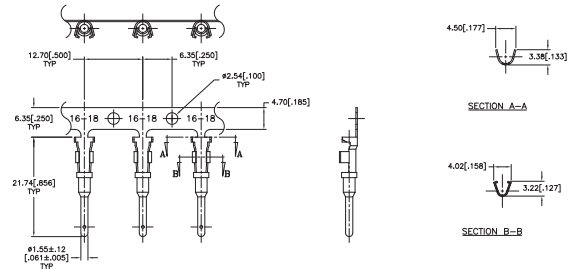


## STAMPED AND FORMED CONTACTS, PG 2 of 2

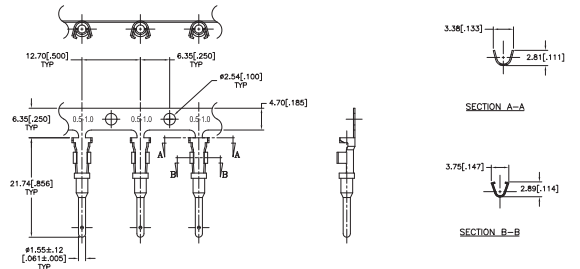
Click on [blue underlined part numbers](#) to be taken to their spec sheets.

### OPTIONS

**PART NUMBER:** [AT60-16-01XX](#)  
**DESCRIPTION:** CONTACT, PIN, STAMPED, SIZE 16  
**MATERIAL:** COPPER ALLOY  
**PLATING SUFFIX CODE:**  
 XX=22 NICKEL PLATING  
 XX=44 GOLD PLATING  
**CONTACT GENERAL DATA SPECIFICATION:** S2-15217  
**AVAILABLE CRIMPERS:** ATT-16-00, ATT-16-01, MFX-3950 & MFX-3953  
**CRIMPER SPECIFICATIONS:** S2-15223 & S2-15224  
**CRIMP INFORMATION DRAWING:** S2-15221 & S2-15222  
**CONTACTS PER REEL:** APPROX. 4000 (PARTIAL REELS AVAILABLE)



**PART NUMBER:** [AT60-16-06XX](#)  
**DESCRIPTION:** CONTACT, PIN, STAMPED, SIZE 16  
**MATERIAL:** COPPER ALLOY  
**PLATING SUFFIX CODE:**  
 XX=22 NICKEL PLATING  
 XX=44 GOLD PLATING  
**CONTACT GENERAL DATA SPECIFICATION:** S2-15217  
**AVAILABLE CRIMPERS:** ATT-16-01, MFX-3950 & MFX-3953  
**CRIMPER SPECIFICATIONS:** S2-15223 & S2-15224  
**CRIMP INFORMATION DRAWING:** S2-15221 & S2-15222  
**CONTACTS PER REEL:** APPROX. 4000 (PARTIAL REELS AVAILABLE)



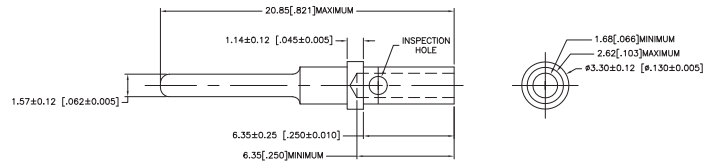
## SOLID/MACHINED CONTACTS

Click on [blue underlined part numbers](#) to be taken to their spec sheets.

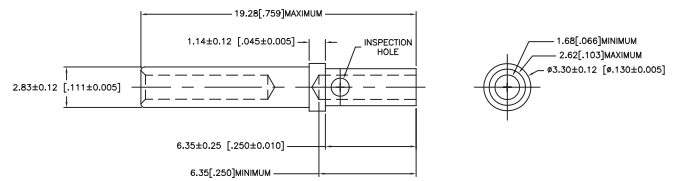
### OPTIONS

MILITARY-STYLE

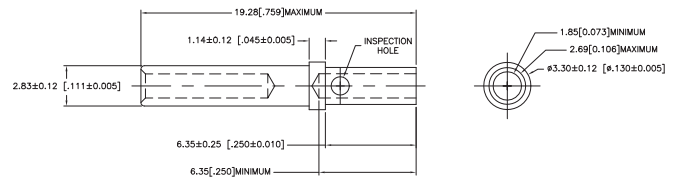
**PART NUMBER:** [AT60-202-16XX](#)  
**DESCRIPTION:** CONTACT, PIN, SOLID MACHINED, SIZE 16  
**MATERIAL:** COPPER ALLOY  
**PLATING SUFFIX CODE:**  
 XX=141 NICKEL PLATING  
 XX=31 GOLD PLATING  
**CONTACT GENERAL DATA SPECIFICATION:** S2-15217  
**AVAILABLE CRIMPERS:** CA-5D12 & CA-5E12  
**CRIMPER SPECIFICATIONS:** S2-15219 & S2-15220  
**CRIMP INFORMATION DRAWING:** S2-15218



**PART NUMBER:** [AT62-201-16XX](#)  
**DESCRIPTION:** CONTACT, SOCKET, SOLID MACHINED, SIZE 16  
**MATERIAL:**  
 CONTACT BODY: COPPER ALLOY  
 HOOD: STAINLESS STEEL  
**PLATING SUFFIX CODE:**  
 XX=141 NICKEL PLATING  
 XX=31 GOLD PLATING  
**CONTACT GENERAL DATA SPECIFICATION:** S2-15217  
**AVAILABLE CRIMPERS:** CA-5D12 & CA-5E12  
**CRIMPER SPECIFICATIONS:** S2-15219 & S2-15220  
**CRIMP INFORMATION DRAWING:** S2-15218

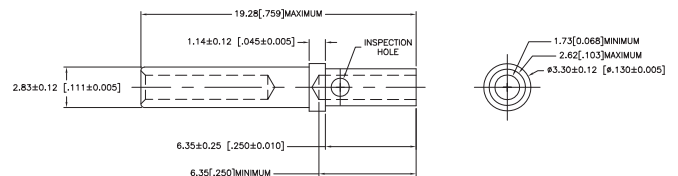


**PART NUMBER:** [65-54942-14](#)  
**DESCRIPTION:** CONTACT, SOCKET, ROCKSOLID, SIZE 16  
**AWG RANGE:** 14AWG  
**MATERIAL:** COPPER ALLOY  
**PLATING:** GOLD  
**CONTACT GENERAL DATA SPECIFICATION:** S2-15217  
**AVAILABLE CRIMPERS:** CA-5D12 & CA-5E12  
**CRIMPER SPECIFICATIONS:** S2-15219 & S2-15220  
**CRIMP INFORMATION DRAWING:** S2-15218

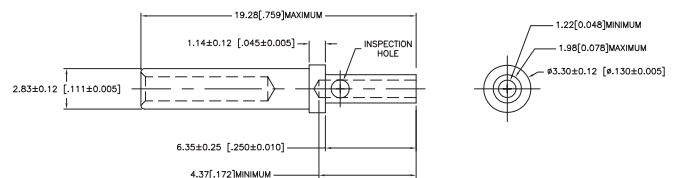


ROCKSOLID™ CONTACTS

**PART NUMBER:** [65-54942-16](#)  
**DESCRIPTION:** CONTACT, SOCKET, ROCKSOLID, SIZE 16  
**AWG RANGE:** 16AWG  
**MATERIAL:** COPPER ALLOY  
**PLATING:** GOLD  
**CONTACT GENERAL DATA SPECIFICATION:** S2-15217  
**AVAILABLE CRIMPERS:** CA-5D12 & CA-5E12  
**CRIMPER SPECIFICATIONS:** S2-15219 & S2-15220  
**CRIMP INFORMATION DRAWING:** S2-15218



**PART NUMBER:** [65-54942-20](#)  
**DESCRIPTION:** CONTACT, SOCKET, ROCKSOLID, SIZE 16  
**AWG RANGE:** 20AWG  
**MATERIAL:** COPPER ALLOY  
**PLATING:** GOLD  
**CONTACT GENERAL DATA SPECIFICATION:** S2-15217  
**AVAILABLE CRIMPERS:** CA-5D12 & CA-5E12  
**CRIMPER SPECIFICATIONS:** S2-15219 & S2-15220  
**CRIMP INFORMATION DRAWING:** S2-15218





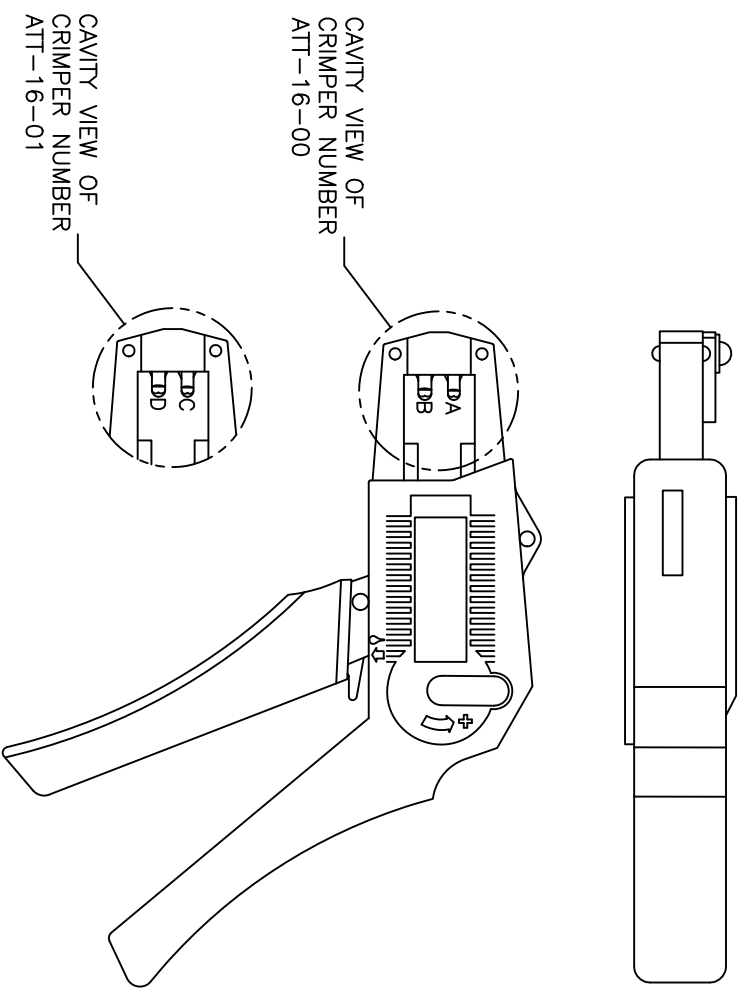
REVISIONS					
REV	ECO	DESCRIPTION	DATE	BY	APPR
A1	-	RELEASE NUMBER 016571	6/12/09	B.D.B.	M.R.F.

USE CRIMPER NUMBER:  
ATT-16-00 WITH CAVITY A & B

CONTACT P/N:	INSULATION $\phi$	CAVITY	WIRE SIZE
AT60-16-01**	.075 - .140	B	1.5mm <sup>2</sup>
AT62-16-01**	[1.91 - 3.56]	A	16AWG
		A	1.0mm <sup>2</sup>
AT60-14-01**	.095 - .150	B	14AWG
AT62-14-01**	[2.41 - 3.81]	B	2.0mm <sup>2</sup>
		B	1.5mm <sup>2</sup>
		A	1.5mm <sup>2</sup>
		A	16AWG
		A	1.0mm <sup>2</sup>
AT60-16-06**	.055 - .100	A	16AWG
AT62-16-06**	[1.40 - 2.54]	A	1.0mm <sup>2</sup>

USE CRIMPER NUMBER:  
ATT-16-01 WITH CAVITY C & D

CONTACT P/N:	INSULATION $\phi$	CAVITY	WIRE SIZE
AT60-16-01**	.075 - .140	D	18AWG
AT62-16-01**	[1.91 - 3.56]	D	.75mm <sup>2</sup>
AT60-16-06**	.055 - .100	D	18AWG
AT62-16-06**	[1.40 - 2.54]	D	.75mm <sup>2</sup>
		C	.50mm <sup>2</sup>



ALL REFERENCES TO DEUTSCH PRODUCTS OR SPECIFICATIONS ARE FOR COMPARISON PURPOSES ONLY, AND REFER TO DEUTSCH INDUSTRIAL PRODUCTS.

- NOTES (UNLESS OTHERWISE SPECIFIED):
- ALL DIMENSIONS IN INCHES [MILLIMETERS]
  - FOR PLATING CODES \*\* SEE CONTACT DATA DRAWINGS.
  - THIS TOOL IS FOR CRIMPING SIZE 16 CONTACTS ONLY TO WIRES LISTED IN THE CHARTS.
  - DEUTSCH IPD CROSS REFERENCE PART NUMBERS ARE DTT-16-00 AND DTT-16-01.

QUANTITY	PART NUMBER	DESCRIPTION	ITER#
		<b>MATERIALS LIST</b>	
		<b>SINE Systems Corporation</b>	
		A Subsidiary of Amphenol Corporation	
		44724 Morley Drive	
		Clifton Township, NJ 08036	
		INSTRUCTIONS, ATT-16-00 & 01	
		CRIMPER, HAND, STAMPED CONTACTS	
		SIZE: FCSD NO/DWG NO:	
		B 16K44	
		S2-15223	
		S2-15223	
		SHEET 1 OF 1	
		REVISION	
		A1	

UNLESS OTHERWISE SPECIFIED

- All dimensions are in inches.
- Tolerances are as follows:
  - 1st DEC 3.000
  - 2nd DEC 3.000
  - 3rd DEC 3.000
  - 4th DEC 3.000
- Finish: SM 30020
- Note Reference = A

INTERNAL SPECIFICATIONS:

PROCESS SPECIFICATIONS: N/A

THE USE OF THIS DOCUMENT IS UNLIMITED DESIGN FEATURES, SPECIFIC DATA SHOWN HEREON ARE THE PROPERTY OF AMPHENOL CORP. ALL DIMENSIONS AND TOLERANCES ARE THE PROPERTY OF AMPHENOL CORP. ALL DIMENSIONS ARE UNLESS OTHERWISE SPECIFIED.

DOCUMENTS REFERENCED HEREON ARE: DEUTSCH INDUSTRIAL PRODUCTS DATA.

NOT ASY:

REVISIONS			
REV	ZONE	ECO	DESCRIPTION
A1	-	-	RELEASE NUMBER 016871
			DATE 6/12/09
			BY B.D.B.
			APP M.F.F.

STAMPED CONTACT PART NUMBER 1062=PIN 1062=SOCKET	SIZE	CONDUCTOR WIRE SIZE	CRIMP HEIGHT	CRIMP WIDTH	CONDUCTOR PUNCH NUMBER	CONDUCTOR ANVIL NUMBER	CRIMP TENSILE REFERENCE
A780-14-011x A782-14-011x INSULATION RANGE 0.095-0.150(2.41-3.81)	16	14 AWG 2.00mm <sup>2</sup> 1.50mm <sup>2</sup> 16 AWG 1.00mm <sup>2</sup> 18 AWG 0.75mm <sup>2</sup>	0.055(1.40) 0.055(1.40) 0.055(1.39) 0.050(1.27) 0.049(1.24) 0.048(1.22)	0.094(2.39) 0.094(2.39) 0.094(2.39) 0.094(2.39) 0.094(2.39) 0.094(2.39)	ATT17-002-0200	ATT17-101-0200	28(111)
A780-16-011x A782-16-011x INSULATION RANGE 0.075-0.140(1.91-3.56)	16	16 AWG 1.00mm <sup>2</sup> 18 AWG 0.75mm <sup>2</sup>	0.050(1.27) 0.051(1.30) 0.050(1.27) 0.048(1.22)	0.094(2.39) 0.094(2.39) 0.094(2.39) 0.094(2.39)	ATT17-002-0200	ATT17-101-0200	28(111)
A780-16-066x A782-16-066x INSULATION RANGE 0.055-0.100(1.40-2.54)	16	16 AWG 1.00mm <sup>2</sup> 18 AWG 0.75mm <sup>2</sup> 20 AWG 0.50mm <sup>2</sup>	0.050(1.27) 0.050(1.27) 0.049(1.24) 0.048(1.22) 0.045(1.14)	0.079(2.01) 0.079(2.01) 0.079(2.01) 0.079(2.01) 0.079(2.01)	ATT17-003-0200	ATT17-103-0200	28(111) 15(67)

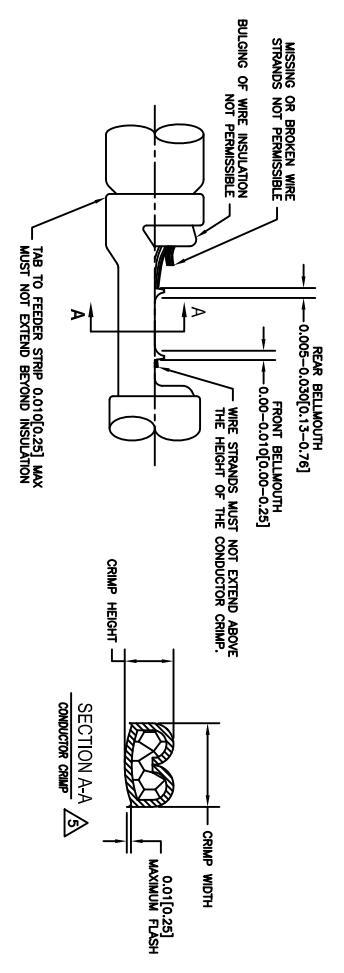
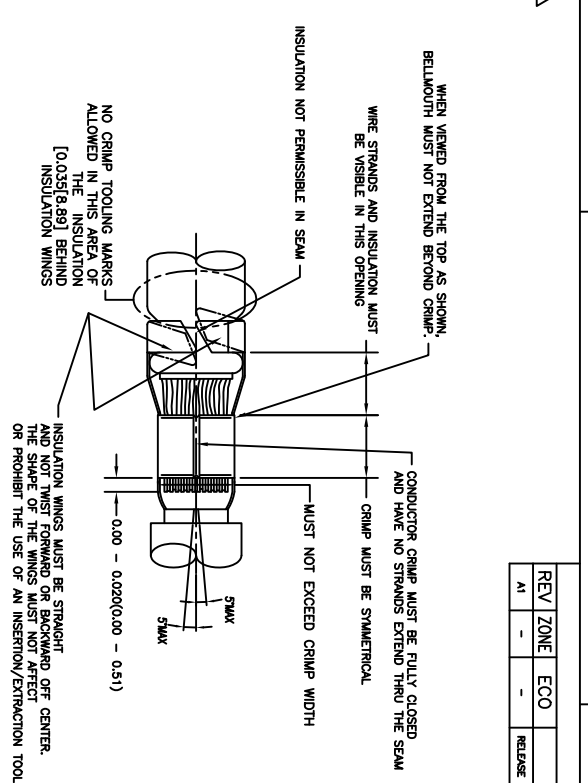
**CROSS REFERENCE**

SINE PART NUMBER	DEUTSCH PART NUMBER
MX-3950	DC116-02-00
ATT17-002-0200	1017-002-0200
ATT17-003-0200	1017-003-0200
ATT17-101-0200	1017-101-0200
ATT17-103-0200	1017-103-0200
ATT17-210-0200	1017-210-0200
ATT17-211-0200	1017-211-0200
ATT17-213-0200	1017-213-0200
ATT17-214-0200	1017-214-0200
ATT17-217-0200	1017-217-0200
ATT17-218-0200	1017-218-0200
ATT17-310-0200	1017-310-0200
ATT17-311-0200	1017-311-0200
ATT17-313-0200	1017-313-0200
ATT17-304-0200	1017-304-0200
ATT17-317-0200	1017-317-0200
ATT17-318-0200	1017-318-0200

INSULATION DIAMETER RANGE	INSULATION PUNCH NUMBER	INSULATION ANVIL NUMBER
0.120-0.150 [3.05-3.81]	ATT17-210-0200	ATT17-310-0200
0.105-0.125 [2.67-3.18]	ATT17-211-0200	ATT17-311-0200
0.085-0.111 [2.16-2.82]	ATT17-213-0200	ATT17-313-0200
0.075-0.105 [1.91-2.67]	ATT17-214-0200	ATT17-304-0200
0.063-0.094 [1.62-2.39]	ATT17-217-0200	ATT17-317-0200
0.050-0.075 [1.27-1.91]	ATT17-218-0200	ATT17-318-0200

**NOTES: UNLESS OTHERWISE SPECIFIED**

1. ALL DIMENSIONS ARE IN INCHES(mm).
2. FORCES ARE IN POUNDS(LBS) AND NEWTONS(N).
3. "X"= PLATING SUFFIX. SEE INDIVIDUAL CONTACT DRAWING.
4. WIRE STRIP LENGTH: 0.175±0.029(4.45±0.74). BROKEN OR MISSING CONDUCTOR STRANDS ARE NOT ACCEPTABLE.
5. USE A BLADE MICROMETER (0.100(2.54) MIN SPACING AND 0.060(0.010(1.50)(0.040) ANVIL) TO MEASURE THE CONDUCTOR CRIMP. SEE SECTION AA.
6. CRIMP TENSILE STRENGTH IS DETERMINED AT A PULL RATE SPEED OF 1.00 INCH(25.4) PER MINUTE. INSULATION WINGS ARE REMOVED FOR TEST. ACTUAL CRIMP TENSILE STRENGTH DEPENDS ON WIRE/CONDUCTOR SIZE. VALUES ON THIS SPECIFICATION ARE FOR REFERENCE ONLY.
7. INSULATION DIAMETER RANGE IS DETERMINED BY CONNECTOR AND ITS WIRE SEAL SIZE. SEE CONNECTOR DRAWING FOR INSULATION RANGE.
8. INSULATION CRIMP DIAMETER SHOULD BE THE EQUAL OR LESS THAN THE DIAMETER OF THE WIRE INSULATION (HARD OR TEFION INSULATION MAY BE AN EXCEPTION). INSULATION CRIMP SHALL NOT AFFECT REMOVAL TOOL PERFORMANCE AND SHALL NOT DAMAGE CONNECTOR GROMMET SEAL.
9. CONDUCTOR TYPE ARE PER SAE J1128(AWG) AND ISO 6722(METRIC)
10. FOR CONTACT MATERIAL AND PERFORMANCE DATA, SEE DRAWING S2-15217.
11. REFER TO S2-15223 AND S2-15224 AND CROSS REFERENCE CHARTS FOR CRIMP TOOL DATA.



**ALL REFERENCES TO DEUTSCH PRODUCTS OR SPECIFICATIONS ARE FOR COMPARISON PURPOSES ONLY, AND REFER TO DEUTSCH INDUSTRIAL PRODUCTS.**

QUANTITY	PART NUMBER	MATERIALS LIST	DESCRIPTION	ITEM
UNLESS OTHERWISE SPECIFIED	SIGNATURES	DATE		
1) All dimensions are in inches.	DRAWN: POTER	4/7/09		
2) All tolerances are per ASME Y14.5.	CHECKED: RONE	6/8/09		
3) Plating standards per ASME Y14.5.	ENGINEER: BERLIN	6/8/09		
4) Plating standards per ASME Y14.5.	APPROVAL: BERLIN	6/8/09		
5) Production standards per ASME Y14.5.	CUSTOMER:			
6) Material specifications per ASME Y14.5.				
7) Material specifications per ASME Y14.5.				
8) Material specifications per ASME Y14.5.				
9) Material specifications per ASME Y14.5.				
10) Material specifications per ASME Y14.5.				
11) Material specifications per ASME Y14.5.				
12) Material specifications per ASME Y14.5.				
13) Material specifications per ASME Y14.5.				
14) Material specifications per ASME Y14.5.				
15) Material specifications per ASME Y14.5.				
16) Material specifications per ASME Y14.5.				
17) Material specifications per ASME Y14.5.				
18) Material specifications per ASME Y14.5.				
19) Material specifications per ASME Y14.5.				
20) Material specifications per ASME Y14.5.				
21) Material specifications per ASME Y14.5.				
22) Material specifications per ASME Y14.5.				
23) Material specifications per ASME Y14.5.				
24) Material specifications per ASME Y14.5.				
25) Material specifications per ASME Y14.5.				
26) Material specifications per ASME Y14.5.				
27) Material specifications per ASME Y14.5.				
28) Material specifications per ASME Y14.5.				
29) Material specifications per ASME Y14.5.				
30) Material specifications per ASME Y14.5.				
31) Material specifications per ASME Y14.5.				
32) Material specifications per ASME Y14.5.				
33) Material specifications per ASME Y14.5.				
34) Material specifications per ASME Y14.5.				
35) Material specifications per ASME Y14.5.				
36) Material specifications per ASME Y14.5.				
37) Material specifications per ASME Y14.5.				
38) Material specifications per ASME Y14.5.				
39) Material specifications per ASME Y14.5.				
40) Material specifications per ASME Y14.5.				
41) Material specifications per ASME Y14.5.				
42) Material specifications per ASME Y14.5.				
43) Material specifications per ASME Y14.5.				
44) Material specifications per ASME Y14.5.				
45) Material specifications per ASME Y14.5.				
46) Material specifications per ASME Y14.5.				
47) Material specifications per ASME Y14.5.				
48) Material specifications per ASME Y14.5.				
49) Material specifications per ASME Y14.5.				
50) Material specifications per ASME Y14.5.				
51) Material specifications per ASME Y14.5.				
52) Material specifications per ASME Y14.5.				
53) Material specifications per ASME Y14.5.				
54) Material specifications per ASME Y14.5.				
55) Material specifications per ASME Y14.5.				
56) Material specifications per ASME Y14.5.				
57) Material specifications per ASME Y14.5.				
58) Material specifications per ASME Y14.5.				
59) Material specifications per ASME Y14.5.				
60) Material specifications per ASME Y14.5.				
61) Material specifications per ASME Y14.5.				
62) Material specifications per ASME Y14.5.				
63) Material specifications per ASME Y14.5.				
64) Material specifications per ASME Y14.5.				
65) Material specifications per ASME Y14.5.				
66) Material specifications per ASME Y14.5.				
67) Material specifications per ASME Y14.5.				
68) Material specifications per ASME Y14.5.				
69) Material specifications per ASME Y14.5.				
70) Material specifications per ASME Y14.5.				
71) Material specifications per ASME Y14.5.				
72) Material specifications per ASME Y14.5.				
73) Material specifications per ASME Y14.5.				
74) Material specifications per ASME Y14.5.				
75) Material specifications per ASME Y14.5.				
76) Material specifications per ASME Y14.5.				
77) Material specifications per ASME Y14.5.				
78) Material specifications per ASME Y14.5.				
79) Material specifications per ASME Y14.5.				
80) Material specifications per ASME Y14.5.				
81) Material specifications per ASME Y14.5.				
82) Material specifications per ASME Y14.5.				
83) Material specifications per ASME Y14.5.				
84) Material specifications per ASME Y14.5.				
85) Material specifications per ASME Y14.5.				
86) Material specifications per ASME Y14.5.				
87) Material specifications per ASME Y14.5.				
88) Material specifications per ASME Y14.5.				
89) Material specifications per ASME Y14.5.				
90) Material specifications per ASME Y14.5.				
91) Material specifications per ASME Y14.5.				
92) Material specifications per ASME Y14.5.				
93) Material specifications per ASME Y14.5.				
94) Material specifications per ASME Y14.5.				
95) Material specifications per ASME Y14.5.				
96) Material specifications per ASME Y14.5.				
97) Material specifications per ASME Y14.5.				
98) Material specifications per ASME Y14.5.				
99) Material specifications per ASME Y14.5.				
100) Material specifications per ASME Y14.5.				

CRIMP DATA, STAMPED CONTACTS
CRIMP DATA, STAMPED CONTACTS FOR CRIMPER MFX-3950
SIZE (PUNCH NUMBER) S2-15222
SCALE NONE
REVISION A1

REVISION	DATE	BY	APP
A1	6/12/09	B.D.B.	M.F.F.

4 3 2 1

REVOLUTIONS		DESCRIPTION	DATE	BY	APP
REV	ZONE	ECO	RELEASE NUMBER 016971	6/12/09	B.O.B.
AT	-	-			M.F.F.

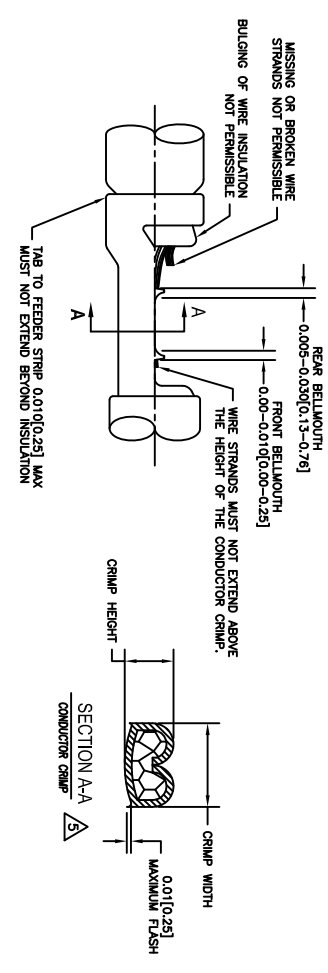
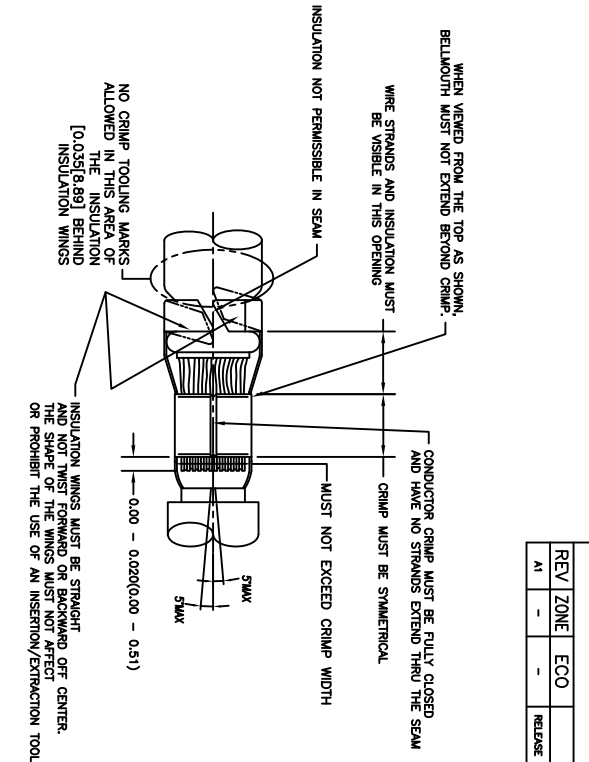
STAMPED CONTACT PART NUMBER (1009=PIN 1009=SOCKET)	SIZE	CONDUCTOR WIRE SIZE	CRIMP HEIGHT +0.001/-0.002 INCH (+0.025/-0.05 mm)	CRIMP WIDTH ±0.013 INCH (±0.08 mm)	CONDUCTOR PUNCH NUMBER	CONDUCTOR ANVIL NUMBER	CRIMP TENSILE REFERENCE (LBS/IN)
A160-14-011x A162-14-011x INSULATION RANGE 0.095-0.150(2.41-3.81)	16	14 AWG	0.055(1.40)	0.094(2.39)			
		2.00mm <sup>2</sup>	0.051(1.40)	0.094(2.39)			
		1.50mm <sup>2</sup>	0.051(1.33)	0.094(2.39)	A117-4083-0200	A117-183-0200	29(111)
		16 AWG	0.050(1.27)	0.094(2.39)			
A160-16-011x A162-16-011x INSULATION RANGE 0.075-0.140(1.91-3.59)	16	14 AWG	0.051(1.40)	0.094(2.39)			
		2.00mm <sup>2</sup>	0.051(1.40)	0.094(2.39)			
		1.50mm <sup>2</sup>	0.051(1.33)	0.094(2.39)	A117-4083-0200	A117-183-0200	29(111)
		16 AWG	0.050(1.27)	0.094(2.39)			
A160-18-069x A162-18-069x INSULATION RANGE 0.055-0.100(1.40-2.54)	16	16 AWG	0.050(1.27)	0.079(2.01)			
		1.00mm <sup>2</sup>	0.048(1.21)	0.079(2.01)			
		20 AWG	0.048(1.22)	0.079(2.01)	A117-4082-0200	A117-182-0200	29(111)
		0.50mm <sup>2</sup>	0.046(1.14)	0.079(2.01)			19(67)

CROSS REFERENCE

INSULATION DIAMETER RANGE	INSULATION PUNCH NUMBER	INSULATION ANVIL NUMBER	SINE PART NUMBER	DEUTSCH PART NUMBER
0.120-0.150 [3.05-3.81]	A117-225-0200	A117-326-0200	MPX-3953	DCT1620-02-00
0.105-0.125 [2.67-3.18]	A117-226-0200	A117-326-0200	A117-083-0200	1017-083-0200
0.085-0.111 [2.16-2.82]	A117-227-0200	A117-327-0200	A117-082-0200	1017-082-0200
0.075-0.105 [1.91-2.67]	A117-228-0200	A117-328-0200	A117-183-0200	1017-183-0200
0.063-0.094 [1.62-2.39]	A117-229-0200	A117-329-0200	A117-182-0200	1017-182-0200
0.050-0.075 [1.27-1.91]	A117-230-0200	A117-330-0200	A117-225-0200	1017-225-0200
			A117-226-0200	1017-226-0200
			A117-227-0200	1017-227-0200
			A117-228-0200	1017-228-0200
			A117-229-0200	1017-229-0200
			A117-230-0200	1017-230-0200
			A117-325-0200	1017-325-0200
			A117-326-0200	1017-326-0200
			A117-327-0200	1017-327-0200
			A117-328-0200	1017-328-0200
			A117-329-0200	1017-329-0200
			A117-330-0200	1017-330-0200

NOTES: UNLESS OTHERWISE SPECIFIED

1. ALL DIMENSIONS ARE IN INCHES(mm).
2. FORCES ARE IN POUNDS(LBS) AND NEWTONS(N).
3. "X"= PLATING SUFFIX. SEE INDIVIDUAL CONTACT DRAWING.
4. WIRE STRIP LENGTH: 0.175±0.029(4.43±0.74). BROKEN OR MISSING CONDUCTOR STRANDS ARE NOT ACCEPTABLE. USE A BLADE MICROMETER (0.100[2.54] MIN SPINDLE AND 0.060[0.010][1.50][0.040] ANVIL) TO MEASURE THE CONDUCTOR CRIMP. SEE SECTION AA.
5. CRIMP TENSILE STRENGTH IS DETERMINED AT A PULL RATE SPEED OF 1.00 INCH(2.54) PER MINUTE. INSULATION WINGS ARE REMOVED FOR TEST. ACTUAL CRIMP TENSILE STRENGTH DEPENDS ON WIRE/CONDUCTOR SIZE. VALUES ON THIS SPECIFICATION ARE FOR REFERENCE ONLY.
6. INSULATION DIAMETER RANGE IS DETERMINED BY CONNECTOR AND ITS WIRE SEAL SIZE. SEE CONNECTOR DRAWING FOR INSULATION RANGE.
7. INSULATION CRIMP DIAMETER SHOULD BE THE EQUAL OR LESS THAN THE DIAMETER OF THE WIRE INSULATION (HARD OR TEFION INSULATION MAY BE AN EXCEPTION). INSULATION CRIMP SHALL NOT AFFECT REMOVAL TOOL PERFORMANCE AND SHALL NOT DAMAGE CONNECTOR GROMMET SEAL.
8. CONDUCTOR TYPE ARE PER SAE J1128(AWG) AND ISO 6122(METRIC)
9. FOR CONTACT MATERIAL AND PERFORMANCE DATA, SEE DRAWING S2-15217.
10. REFER TO S2-15223 AND S2-15224 AND CROSS REFERENCE CHARTS FOR CRIMP TOOL DATA.



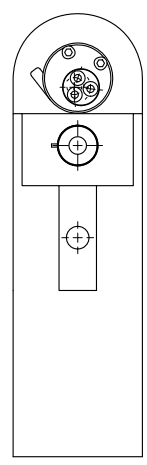
ALL REFERENCES TO DEUTSCH PRODUCTS OR SPECIFICATIONS ARE FOR COMPARISON PURPOSES ONLY, AND REFER TO DEUTSCH INDUSTRIAL PRODUCTS.

QUANTITY	PART NUMBER	MATERIALS LIST	DESCRIPTION	ITEM
UNLESS OTHERWISE SPECIFIED				
1) All dimensions are in inches.				
2) Plating is as shown.				
3) Plating is as shown.				
4) Plating is as shown.				
5) Reduction Standard Per: AMS 20020				
6) Material: SS-20020				
7) Material: SS-20020				
8) Material: SS-20020				
9) Material: SS-20020				
10) Material: SS-20020				
11) Material: SS-20020				
12) Material: SS-20020				
13) Material: SS-20020				
14) Material: SS-20020				
15) Material: SS-20020				
16) Material: SS-20020				
17) Material: SS-20020				
18) Material: SS-20020				
19) Material: SS-20020				
20) Material: SS-20020				
21) Material: SS-20020				
22) Material: SS-20020				
23) Material: SS-20020				
24) Material: SS-20020				
25) Material: SS-20020				
26) Material: SS-20020				
27) Material: SS-20020				
28) Material: SS-20020				
29) Material: SS-20020				
30) Material: SS-20020				
31) Material: SS-20020				
32) Material: SS-20020				
33) Material: SS-20020				
34) Material: SS-20020				
35) Material: SS-20020				
36) Material: SS-20020				
37) Material: SS-20020				
38) Material: SS-20020				
39) Material: SS-20020				
40) Material: SS-20020				
41) Material: SS-20020				
42) Material: SS-20020				
43) Material: SS-20020				
44) Material: SS-20020				
45) Material: SS-20020				
46) Material: SS-20020				
47) Material: SS-20020				
48) Material: SS-20020				
49) Material: SS-20020				
50) Material: SS-20020				
51) Material: SS-20020				
52) Material: SS-20020				
53) Material: SS-20020				
54) Material: SS-20020				
55) Material: SS-20020				
56) Material: SS-20020				
57) Material: SS-20020				
58) Material: SS-20020				
59) Material: SS-20020				
60) Material: SS-20020				
61) Material: SS-20020				
62) Material: SS-20020				
63) Material: SS-20020				
64) Material: SS-20020				
65) Material: SS-20020				
66) Material: SS-20020				
67) Material: SS-20020				
68) Material: SS-20020				
69) Material: SS-20020				
70) Material: SS-20020				
71) Material: SS-20020				
72) Material: SS-20020				
73) Material: SS-20020				
74) Material: SS-20020				
75) Material: SS-20020				
76) Material: SS-20020				
77) Material: SS-20020				
78) Material: SS-20020				
79) Material: SS-20020				
80) Material: SS-20020				
81) Material: SS-20020				
82) Material: SS-20020				
83) Material: SS-20020				
84) Material: SS-20020				
85) Material: SS-20020				
86) Material: SS-20020				
87) Material: SS-20020				
88) Material: SS-20020				
89) Material: SS-20020				
90) Material: SS-20020				
91) Material: SS-20020				
92) Material: SS-20020				
93) Material: SS-20020				
94) Material: SS-20020				
95) Material: SS-20020				
96) Material: SS-20020				
97) Material: SS-20020				
98) Material: SS-20020				
99) Material: SS-20020				
100) Material: SS-20020				

SINE SYSTEMS CORPORATION	
A Subsidiary of Amphenol Corporation	
44724 Moley Drive	
Clinton Township, MI 48036	
CRIMP DATA, STAMPED CONTACTS FOR CRIMPER MPX-3953	
SIZE	10K44
SCALE	NONE
REVISION	A1
DATE	6/8/09
BY	B.O.B.
APP	M.F.F.
SHEET	1 OF 1

REVOLUTIONS		DESCRIPTION	DATE	BY	APPR
REV	ZONE	ECO	RELEASE NUMBER 016571	B.D.B.	M.R.F.
A1	-	-	6/12/09		

CONTACT LOCATOR "TURRET"  
THREE POSITION FOR SIZE  
12, 16 & 20 MALE AND  
FEMALE CONTACTS

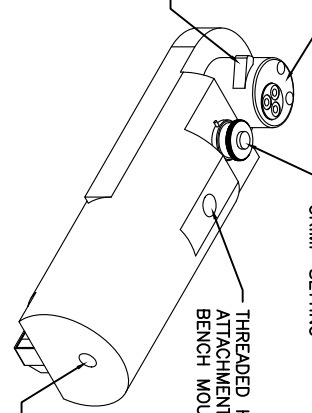


"TURRET"  
RELEASE LATCH

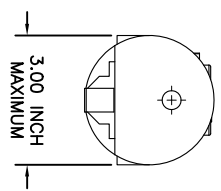
SELECTOR FOR  
CRIMP SETTING

THREADED HOLE FOR  
ATTACHMENT OF  
BENCH MOUNT FIXTURE

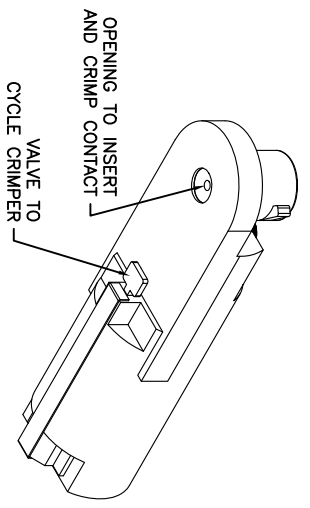
THREADED OPENING  
FOR COMPRESSED  
AIR FITTING



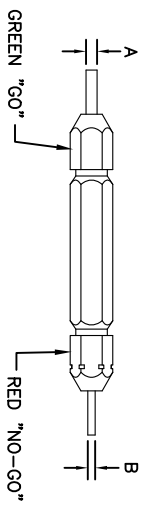
10.00 INCH  
MAXIMUM



- NOTES:
1. THE CA-5E12 IS A COMPRESSED AIR OPERATED HAND CRIMPER FOR ELECTRICAL CONTACTS. IT IS ADJUSTABLE TO 3 CONTACT SIZES (12, 16 & 20) AND 8 INDENTER CRIMP POSITIONS FOR DIFFERENT WIRE SIZES (12AWG THRU 26 AWG).
  2. 80-120 PSI COMPRESSED AIR.
  3. WEIGHT: 3.1 LBS
  4. SELECTING CONTACT SIZE: PRESS THE RELEASE LATCH ON SIDE OF THE CONTACT LOCATOR "TURRET". ROTATE TO THE DESIRED CONTACT SIZE. THE TOP OF THE "TURRET" IS EMBOSSED WITH THE CONTACT SIZES.
  5. SELECTING WIRE SIZE: GRASP THE SELECTOR AND ROTATE TO THE DESIRED NUMBER.



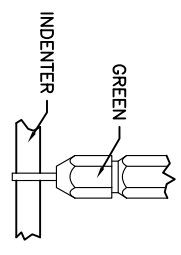
GAGE PART NO.	A GO DIA.	B NO-GO DIA.	SELECTOR NUMBER
G125	.0390	.0440	4



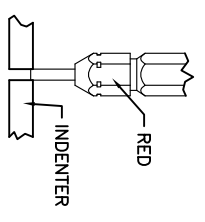
GAGING INSTRUCTIONS  
CAUTION!  
DO NOT CRIMP GAGE!

"GO" GAGING: OPERATE TOOL TO FULLY CLOSED POSITION. INSERT "GO" GAGE END AS SHOWN. GAGE MUST PASS FREELY BETWEEN INDENTER TIPS.

"NO-GO" GAGING: OPERATE TOOL TO FULLY CLOSED POSITION. INSERT "NO-GO" GAGE END AS SHOWN. THE "NO-GO" MAY PARTIALLY ENTER THE INDENTER OPENING, BUT MUST NOT PASS COMPLETELY THROUGH THE OPENING.



SELECTOR NUMBER	A GO DIA.	B NO-GO DIA.
1	.0280	.0330
2	.0320	.0370
3	.0360	.0410
4	.0390	.0440
5	.0450	.0500
6	.0520	.0570
7	.0590	.0640
8	.0680	.0730



CONTACT SIZE	LOCATOR "TURRET" POSITION COLOR	26 AWG WIRE	24 AWG WIRE	22 AWG WIRE	20 AWG WIRE	18 AWG WIRE	16 AWG WIRE	14 AWG WIRE	12 AWG WIRE
20-20	RED	1	2	3	4				
16-22	BLUE	4	5	6					
16-20	BLUE	1	2	3	4				
16-16	BLUE				4	5	6		
12-16	YELLOW				4	5	6		
12-12	YELLOW							7	8

QUANTITY	PART NUMBER	DESCRIPTION	ITEM
		MATERIALS LIST	

**SINE Systems Corporation**  
A Subsidiary of Amphenol Corporation  
44724 Mowley Drive  
Carlton Township, MI 48036

INSTRUCTIONS FOR CA-5E12 CRIMPER, PNEUMATIC

SIZE: 10K44  
SCALE: NONE  
S2-15220  
SHEET 1 OF 1

UNLESS OTHERWISE SPECIFIED  
1) All dimensions are in inches.  
2) Pl. DEC 2000  
3) Pl. DEC 2001  
4) Pl. DEC 2002  
5) Revision Standard Per: AS-20020  
6) Rev. SS-20020  
7) Material Specification: N/A  
8) Process Specifications: N/A  
9) Next Ass't:

THE USE OF THIS DOCUMENT IS SPECIFIC TO THE DESIGN AND PERFORMANCE OF THE PRODUCT IDENTIFIED HEREIN. ANY REVISIONS OR MODIFICATIONS TO THIS DOCUMENT SHALL BE THE PROPERTY OF AMPHENOL CORP. ALL DOCUMENTS REFERENCED HEREIN MAY CONTAIN UNCLASSIFIED INFORMATION.



REV ZONE		ECO		REVISIONS		DESCRIPTION	DATE	BY	APPR
AI	-	-	-	RELEASE NUMBER	016571		6/12/09	B.D.B.	M.R.F.

CONTACT LOCATOR  
"TURRET"  
THREE POSITIONS FOR  
SIZE 12, 16 & 20 MALE  
AND FEMALE CONTACTS

"TURRET" RELEASE LATCH

6.25 INCH  
MAXIMUM  
OPEN

2.30 INCH  
MAXIMUM  
CLOSED

SELECTOR FOR CRIMP  
SETTING

1.125 INCH MAX.

9.75 INCH MAXIMUM

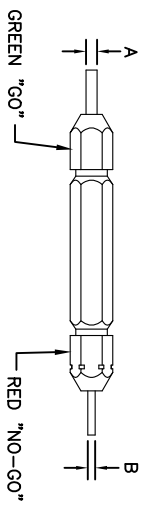
1.00 INCH MAX.

- NOTES:
- THE CA-5D12 IS A HAND OPERATED CRIMPER FOR ELECTRICAL CONTACTS. IT IS ADJUSTABLE TO 3 CONTACT SIZES (12, 16 & 20) AND 8 INDENTER CRIMP POSITIONS FOR DIFFERENT WIRE SIZES (12AWG THRU 26 AWG).
  - WEIGHT: 1.64 LBS
  - SELECTING CONTACT SIZE: PRESS THE RELEASE LATCH ON SIDE OF THE CONTACT LOCATOR "TURRET". ROTATE TO THE DESIRED CONTACT SIZE. THE TOP OF THE "TURRET" IS EMBOSSED WITH THE CONTACT SIZES.
  - SELECTING WIRE SIZE: REMOVE THE LOCKING CLIP. GRASP THE SELECTOR AND ROTATE TO THE DESIRED NUMBER.

GAGE PART NO.	A GO DIA.	B NO-GO DIA.	SELECTOR NUMBER
G125	.0390	.0440	4

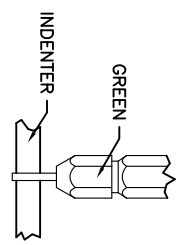
GAGING INSTRUCTIONS

CAUTION!  
DO NOT CRIMP GAGE!

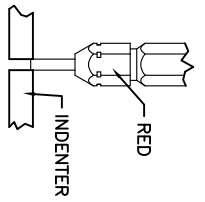


"GO" GAGING: OPERATE TOOL TO FULLY CLOSED POSITION. INSERT "GO" GAGE END AS SHOWN. GAGE MUST PASS FREELY BETWEEN INDENTER TIPS.

"NO-GO" GAGING: OPERATE TOOL TO FULLY CLOSED POSITION. INSERT "NO-GO" GAGE END AS SHOWN. THE "NO-GO" MAY PARTIALLY ENTER THE INDENTER OPENING, BUT MUST NOT PASS COMPLETELY THROUGH THE OPENING.



SELECTOR NUMBER	A GO DIA.	B NO-GO DIA.
1	.0280	.0330
2	.0320	.0370
3	.0360	.0410
4	.0390	.0440
5	.0450	.0500
6	.0520	.0570
7	.0590	.0640
8	.0880	.0730



CONTACT SIZE	LOCATOR POSITION	WIRE COLOR	1	2	3	4	5	6	7	8
20-20	RED	1	2	3	4					
16-22	BLUE	4	5	6						
16-20	BLUE	1	2	3	4					
16-16	BLUE	4	5	6						
12-16	YELLOW	4	5	6						
12-12	YELLOW									8

QUANTITY	PART NUMBER	DESCRIPTION	ITEM

MATERIALS LIST		SIGNATURES		DATE	
UNLESS OTHERWISE SPECIFIED					
1) All dimensions are in inches.					
2) Pl. SEC. 34.00					
3) Pl. SEC. 34.00					
4) Pl. SEC. 34.00					
5) Pl. SEC. 34.00					
6) Pl. SEC. 34.00					
7) Pl. SEC. 34.00					
8) Pl. SEC. 34.00					
9) Pl. SEC. 34.00					
10) Pl. SEC. 34.00					
11) Pl. SEC. 34.00					
12) Pl. SEC. 34.00					
13) Pl. SEC. 34.00					
14) Pl. SEC. 34.00					
15) Pl. SEC. 34.00					
16) Pl. SEC. 34.00					
17) Pl. SEC. 34.00					
18) Pl. SEC. 34.00					
19) Pl. SEC. 34.00					
20) Pl. SEC. 34.00					
21) Pl. SEC. 34.00					
22) Pl. SEC. 34.00					
23) Pl. SEC. 34.00					
24) Pl. SEC. 34.00					
25) Pl. SEC. 34.00					
26) Pl. SEC. 34.00					
27) Pl. SEC. 34.00					
28) Pl. SEC. 34.00					
29) Pl. SEC. 34.00					
30) Pl. SEC. 34.00					
31) Pl. SEC. 34.00					
32) Pl. SEC. 34.00					
33) Pl. SEC. 34.00					
34) Pl. SEC. 34.00					
35) Pl. SEC. 34.00					
36) Pl. SEC. 34.00					
37) Pl. SEC. 34.00					
38) Pl. SEC. 34.00					
39) Pl. SEC. 34.00					
40) Pl. SEC. 34.00					
41) Pl. SEC. 34.00					
42) Pl. SEC. 34.00					
43) Pl. SEC. 34.00					
44) Pl. SEC. 34.00					
45) Pl. SEC. 34.00					
46) Pl. SEC. 34.00					
47) Pl. SEC. 34.00					
48) Pl. SEC. 34.00					
49) Pl. SEC. 34.00					
50) Pl. SEC. 34.00					
51) Pl. SEC. 34.00					
52) Pl. SEC. 34.00					
53) Pl. SEC. 34.00					
54) Pl. SEC. 34.00					
55) Pl. SEC. 34.00					
56) Pl. SEC. 34.00					
57) Pl. SEC. 34.00					
58) Pl. SEC. 34.00					
59) Pl. SEC. 34.00					
60) Pl. SEC. 34.00					
61) Pl. SEC. 34.00					
62) Pl. SEC. 34.00					
63) Pl. SEC. 34.00					
64) Pl. SEC. 34.00					
65) Pl. SEC. 34.00					
66) Pl. SEC. 34.00					
67) Pl. SEC. 34.00					
68) Pl. SEC. 34.00					
69) Pl. SEC. 34.00					
70) Pl. SEC. 34.00					
71) Pl. SEC. 34.00					
72) Pl. SEC. 34.00					
73) Pl. SEC. 34.00					
74) Pl. SEC. 34.00					
75) Pl. SEC. 34.00					
76) Pl. SEC. 34.00					
77) Pl. SEC. 34.00					
78) Pl. SEC. 34.00					
79) Pl. SEC. 34.00					
80) Pl. SEC. 34.00					
81) Pl. SEC. 34.00					
82) Pl. SEC. 34.00					
83) Pl. SEC. 34.00					
84) Pl. SEC. 34.00					
85) Pl. SEC. 34.00					
86) Pl. SEC. 34.00					
87) Pl. SEC. 34.00					
88) Pl. SEC. 34.00					
89) Pl. SEC. 34.00					
90) Pl. SEC. 34.00					
91) Pl. SEC. 34.00					
92) Pl. SEC. 34.00					
93) Pl. SEC. 34.00					
94) Pl. SEC. 34.00					
95) Pl. SEC. 34.00					
96) Pl. SEC. 34.00					
97) Pl. SEC. 34.00					
98) Pl. SEC. 34.00					
99) Pl. SEC. 34.00					
100) Pl. SEC. 34.00					

INSTRUCTIONS FOR CA-5D12  
CRIMPER, HAND, MACHINED CONTACTS

CAUTION!  
DO NOT CRIMP GAGE!

UNLESS OTHERWISE SPECIFIED

1) All dimensions are in inches.

2) Pl. SEC. 34.00

3) Pl. SEC. 34.00

4) Pl. SEC. 34.00

5) Pl. SEC. 34.00

6) Pl. SEC. 34.00

7) Pl. SEC. 34.00

8) Pl. SEC. 34.00

9) Pl. SEC. 34.00

10) Pl. SEC. 34.00

11) Pl. SEC. 34.00

12) Pl. SEC. 34.00

13) Pl. SEC. 34.00

14) Pl. SEC. 34.00

15) Pl. SEC. 34.00

16) Pl. SEC. 34.00

17) Pl. SEC. 34.00

18) Pl. SEC. 34.00

19) Pl. SEC. 34.00

20) Pl. SEC. 34.00

21) Pl. SEC. 34.00

22) Pl. SEC. 34.00

23) Pl. SEC. 34.00

24) Pl. SEC. 34.00

25) Pl. SEC. 34.00

26) Pl. SEC. 34.00

27) Pl. SEC. 34.00

28) Pl. SEC. 34.00

29) Pl. SEC. 34.00

30) Pl. SEC. 34.00

31) Pl. SEC. 34.00

32) Pl. SEC. 34.00

33) Pl. SEC. 34.00

34) Pl. SEC. 34.00

35) Pl. SEC. 34.00

36) Pl. SEC. 34.00

37) Pl. SEC. 34.00

38) Pl. SEC. 34.00

39) Pl. SEC. 34.00

40) Pl. SEC. 34.00

41) Pl. SEC. 34.00

42) Pl. SEC. 34.00

43) Pl. SEC. 34.00

44) Pl. SEC. 34.00

45) Pl. SEC. 34.00

46) Pl. SEC. 34.00

47) Pl. SEC. 34.00

48) Pl. SEC. 34.00

49) Pl. SEC. 34.00

50) Pl. SEC. 34.00

51) Pl. SEC. 34.00

52) Pl. SEC. 34.00

53) Pl. SEC. 34.00

54) Pl. SEC. 34.00

55) Pl. SEC. 34.00

56) Pl. SEC. 34.00

57) Pl. SEC. 34.00

58) Pl. SEC. 34.00

59) Pl. SEC. 34.00

60) Pl. SEC. 34.00

61) Pl. SEC. 34.00

62) Pl. SEC. 34.00

63) Pl. SEC. 34.00

64) Pl. SEC. 34.00

65) Pl. SEC. 34.00

66) Pl. SEC. 34.00

67) Pl. SEC. 34.00

68) Pl. SEC. 34.00

69) Pl. SEC. 34.00

70) Pl. SEC. 34.00

71) Pl. SEC. 34.00

72) Pl. SEC. 34.00

73) Pl. SEC. 34.00

74) Pl. SEC. 34.00

75) Pl. SEC. 34.00

76) Pl. SEC. 34.00

77) Pl. SEC. 34.00

78) Pl. SEC. 34.00

79) Pl. SEC. 34.00

80) Pl. SEC. 34.00

81) Pl. SEC. 34.00

82) Pl. SEC. 34.00

83) Pl. SEC. 34.00

84) Pl. SEC. 34.00

85) Pl. SEC. 34.00

86) Pl. SEC. 34.00

87) Pl. SEC. 34.00

88) Pl. SEC. 34.00

89) Pl. SEC. 34.00

90) Pl. SEC. 34.00

91) Pl. SEC. 34.00

92) Pl. SEC. 34.00

93) Pl. SEC. 34.00

94) Pl. SEC. 34.00

95) Pl. SEC. 34.00

96) Pl. SEC. 34.00

97) Pl. SEC. 34.00

98) Pl. SEC. 34.00

99) Pl. SEC. 34.00

100) Pl. SEC. 34.00

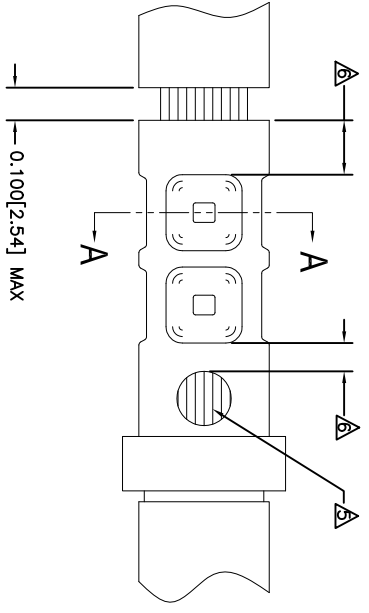
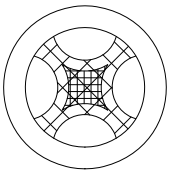
</

REVISIONS						
REV	ZONE	ECO	DESCRIPTION	DATE	BY	APPR
A1	-	-	RELEASE NUMBER 016571	6/12/09	B.D.B.	M.R.F.

CONTACT P/N	SIZE TYPE	WIRE SIZE	REF. ONLY TENSILE LBS[N]
AT60-202-16XX	16PIN	1.5mm <sup>2</sup> 16AWG	35[156]
AT62-201-16XX	16SOC	1.0mm <sup>2</sup> 18AWG 0.75mm <sup>2</sup> 20AWG	25[111] 20[89]

RECOMMENDED STRIP LENGTH	
CONTACT SIZE	STRIP LENGTH INCH[MM]
16	0.250-0.312[6.35-7.92]

CRIMP TOOLING						
CONTACT SIZE	CRIMP TOOL PART NUMBER	CONTACT LOCATOR "TURRET" POSITION	WIRE SELECTOR NUMBER	GO GAGE INCH[MM]	"NOGO" GAGE INCH[MM]	REMARKS
16	CA-5D12 CA-5E12	BLUE	6	0.052[1.32]	0.057[1.45]	
16	CA-5D12 CA-5E12	BLUE	4	0.039[.991]	0.044[1.12]	SIZE 16 WITH 20 AWG WIRE



- NOTES: UNLESS OTHERWISE SPECIFIED
- 1. MINIMUM +/-0.0005 [0.013] TOLERANCE STEEL GAGE PINS. DO NOT CRIMP GAGE PINS. CLOSE DIE, THEN USE GAGE PINS.
  - 2. WHEN XX=31, CONTACT PLATING IS GOLD WHEN XX=141, CONTACT PLATING IS NICKEL
  - 3. PULL RATE OF 1.0 IN [25.4] PER MINUTE. ACTUAL STRENGTH DEPENDS ON WIRE SIZE.
  - 4. FOR CONTACT PERFORMANCE, MATERIAL SPECIFICATIONS AND APPLICATION DETAILS, SEE DRAWING S2-15217.
  - 5. CONDUCTOR STRANDS MUST BE VISIBLE THRU THE INSPECTION HOLE PRIOR TO CRIMP.
  - 6. PROPER CRIMP TOOLING WILL PRODUCE A CRIMP CENTERED BETWEEN THE INSPECTION HOLE AND CRIMP BARREL END.
  - 7. WIRE SIZES PER SAE J1128 AND J1560 [DIN 72551-6] REFERENCE INSTRUCTION MANUALS S2-15219 AND S2-15220 FOR CA-5D12 AND CA-5E12 HAND AND PNEUMATIC CRIMPER.
  - 8. THE CRIMP HEIGHT DIMENSION AFTER CRIMPING MAY VARY FROM THE VALUES LISTED FOR THE "GO-NOGO" PINS.

QUANTITY	PART NUMBER	DESCRIPTION	ITEM
UNLESS OTHERWISE SPECIFIED	MATERIALS LIST		
1) All dimensions are in inches.	SIGNATURES	DATE	
2) All dimensions are in millimeters.	DATE	DATE	
3) Pl. SEE 30.00	ENGINEER: BERNIM	6/3/09	
4) Pl. SEE 30.01	CHECKER: TONCE	6/3/09	
5) Fabrication Standards Per:	ENGINEER: BERNIM		
6) Pl. SEE 30.02	APPROVAL: BERNIM	6/3/09	
7) Pl. SEE 30.03	CUSTOMER:		
8) Pl. SEE 30.04			
9) Pl. SEE 30.05			
10) Pl. SEE 30.06			
11) Pl. SEE 30.07			
12) Pl. SEE 30.08			
13) Pl. SEE 30.09			
14) Pl. SEE 30.10			
15) Pl. SEE 30.11			
16) Pl. SEE 30.12			
17) Pl. SEE 30.13			
18) Pl. SEE 30.14			
19) Pl. SEE 30.15			
20) Pl. SEE 30.16			
21) Pl. SEE 30.17			
22) Pl. SEE 30.18			
23) Pl. SEE 30.19			
24) Pl. SEE 30.20			
25) Pl. SEE 30.21			
26) Pl. SEE 30.22			
27) Pl. SEE 30.23			
28) Pl. SEE 30.24			
29) Pl. SEE 30.25			
30) Pl. SEE 30.26			
31) Pl. SEE 30.27			
32) Pl. SEE 30.28			
33) Pl. SEE 30.29			
34) Pl. SEE 30.30			
35) Pl. SEE 30.31			
36) Pl. SEE 30.32			
37) Pl. SEE 30.33			
38) Pl. SEE 30.34			
39) Pl. SEE 30.35			
40) Pl. SEE 30.36			
41) Pl. SEE 30.37			
42) Pl. SEE 30.38			
43) Pl. SEE 30.39			
44) Pl. SEE 30.40			
45) Pl. SEE 30.41			
46) Pl. SEE 30.42			
47) Pl. SEE 30.43			
48) Pl. SEE 30.44			
49) Pl. SEE 30.45			
50) Pl. SEE 30.46			
51) Pl. SEE 30.47			
52) Pl. SEE 30.48			
53) Pl. SEE 30.49			
54) Pl. SEE 30.50			
55) Pl. SEE 30.51			
56) Pl. SEE 30.52			
57) Pl. SEE 30.53			
58) Pl. SEE 30.54			
59) Pl. SEE 30.55			
60) Pl. SEE 30.56			
61) Pl. SEE 30.57			
62) Pl. SEE 30.58			
63) Pl. SEE 30.59			
64) Pl. SEE 30.60			
65) Pl. SEE 30.61			
66) Pl. SEE 30.62			
67) Pl. SEE 30.63			
68) Pl. SEE 30.64			
69) Pl. SEE 30.65			
70) Pl. SEE 30.66			
71) Pl. SEE 30.67			
72) Pl. SEE 30.68			
73) Pl. SEE 30.69			
74) Pl. SEE 30.70			
75) Pl. SEE 30.71			
76) Pl. SEE 30.72			
77) Pl. SEE 30.73			
78) Pl. SEE 30.74			
79) Pl. SEE 30.75			
80) Pl. SEE 30.76			
81) Pl. SEE 30.77			
82) Pl. SEE 30.78			
83) Pl. SEE 30.79			
84) Pl. SEE 30.80			
85) Pl. SEE 30.81			
86) Pl. SEE 30.82			
87) Pl. SEE 30.83			
88) Pl. SEE 30.84			
89) Pl. SEE 30.85			
90) Pl. SEE 30.86			
91) Pl. SEE 30.87			
92) Pl. SEE 30.88			
93) Pl. SEE 30.89			
94) Pl. SEE 30.90			
95) Pl. SEE 30.91			
96) Pl. SEE 30.92			
97) Pl. SEE 30.93			
98) Pl. SEE 30.94			
99) Pl. SEE 30.95			
100) Pl. SEE 30.96			
101) Pl. SEE 30.97			
102) Pl. SEE 30.98			
103) Pl. SEE 30.99			
104) Pl. SEE 30.100			
105) Pl. SEE 30.101			
106) Pl. SEE 30.102			
107) Pl. SEE 30.103			
108) Pl. SEE 30.104			
109) Pl. SEE 30.105			
110) Pl. SEE 30.106			
111) Pl. SEE 30.107			
112) Pl. SEE 30.108			
113) Pl. SEE 30.109			
114) Pl. SEE 30.110			
115) Pl. SEE 30.111			
116) Pl. SEE 30.112			
117) Pl. SEE 30.113			
118) Pl. SEE 30.114			
119) Pl. SEE 30.115			
120) Pl. SEE 30.116			
121) Pl. SEE 30.117			
122) Pl. SEE 30.118			
123) Pl. SEE 30.119			
124) Pl. SEE 30.120			
125) Pl. SEE 30.121			
126) Pl. SEE 30.122			
127) Pl. SEE 30.123			
128) Pl. SEE 30.124			
129) Pl. SEE 30.125			
130) Pl. SEE 30.126			
131) Pl. SEE 30.127			
132) Pl. SEE 30.128			
133) Pl. SEE 30.129			
134) Pl. SEE 30.130			
135) Pl. SEE 30.131			
136) Pl. SEE 30.132			
137) Pl. SEE 30.133			
138) Pl. SEE 30.134			
139) Pl. SEE 30.135			
140) Pl. SEE 30.136			
141) Pl. SEE 30.137			
142) Pl. SEE 30.138			
143) Pl. SEE 30.139			
144) Pl. SEE 30.140			
145) Pl. SEE 30.141			
146) Pl. SEE 30.142			
147) Pl. SEE 30.143			
148) Pl. SEE 30.144			
149) Pl. SEE 30.145			
150) Pl. SEE 30.146			
151) Pl. SEE 30.147			
152) Pl. SEE 30.148			
153) Pl. SEE 30.149			
154) Pl. SEE 30.150			
155) Pl. SEE 30.151			
156) Pl. SEE 30.152			
157) Pl. SEE 30.153			
158) Pl. SEE 30.154			
159) Pl. SEE 30.155			
160) Pl. SEE 30.156			
161) Pl. SEE 30.157			
162) Pl. SEE 30.158			
163) Pl. SEE 30.159			
164) Pl. SEE 30.160			
165) Pl. SEE 30.161			
166) Pl. SEE 30.162			
167) Pl. SEE 30.163			
168) Pl. SEE 30.164			
169) Pl. SEE 30.165			
170) Pl. SEE 30.166			
171) Pl. SEE 30.167			
172) Pl. SEE 30.168			
173) Pl. SEE 30.169			
174) Pl. SEE 30.170			
175) Pl. SEE 30.171			
176) Pl. SEE 30.172			
177) Pl. SEE 30.173			
178) Pl. SEE 30.174			
179) Pl. SEE 30.175			
180) Pl. SEE 30.176			
181) Pl. SEE 30.177			
182) Pl. SEE 30.178			
183) Pl. SEE 30.179			
184) Pl. SEE 30.180			
185) Pl. SEE 30.181			
186) Pl. SEE 30.182			
187) Pl. SEE 30.183			
188) Pl. SEE 30.184			
189) Pl. SEE 30.185			
190) Pl. SEE 30.186			
191) Pl. SEE 30.187			
192) Pl. SEE 30.188			
193) Pl. SEE 30.189			
194) Pl. SEE 30.190			
195) Pl. SEE 30.191			
196) Pl. SEE 30.192			
197) Pl. SEE 30.193			
198) Pl. SEE 30.194			
199) Pl. SEE 30.195			
200) Pl. SEE 30.196			
201) Pl. SEE 30.197			
202) Pl. SEE 30.198			
203) Pl. SEE 30.199			
204) Pl. SEE 30.200			
205) Pl. SEE 30.201			
206) Pl. SEE 30.202			
207) Pl. SEE 30.203			
208) Pl. SEE 30.204			
209) Pl. SEE 30.205			
210) Pl. SEE 30.206			
211) Pl. SEE 30.207			
212) Pl. SEE 30.208			
213) Pl. SEE 30.209			
214) Pl. SEE 30.210			
215) Pl. SEE 30.211			
216) Pl. SEE 30.212			
217) Pl. SEE 30.213			
218) Pl. SEE 30.214			
219) Pl. SEE 30.215			
220) Pl. SEE 30.216			
221) Pl. SEE 30.217			
222) Pl. SEE 30.218			
223) Pl. SEE 30.219			
224) Pl. SEE 30.220			
225) Pl. SEE 30.221			
226) Pl. SEE 30.222			
227) Pl. SEE 30.223			
228) Pl. SEE 30.224			
229) Pl. SEE 30.225			
230) Pl. SEE 30.226			
231) Pl. SEE 30.227			
232) Pl. SEE 30.228			
233) Pl. SEE 30.229			
234) Pl. SEE 30.230			
235) Pl. SEE 30.231			
236) Pl. SEE 30.232			
237) Pl. SEE 30.233			
238) Pl. SEE 30.234			
239) Pl. SEE 30.235			
240) Pl. SEE 30.236			
241) Pl. SEE 30.237			
242) Pl. SEE 30.238			
243) Pl. SEE 30.239			
244) Pl. SEE 30.240			
245) Pl. SEE 30.241			
246) Pl. SEE 30.242			
247) Pl. SEE 30.243			
248) Pl. SEE 30.244			
249) Pl. SEE 30.245			
250) Pl. SEE 30.246			
251) Pl. SEE 30.247			
252) Pl. SEE 30.248			
253) Pl. SEE 30.249			
254) Pl. SEE 30.250			
255) Pl. SEE 30.251			
256) Pl. SEE 30.252			
257) Pl. SEE 30.253			
258) Pl. SEE 30.254			
259) Pl. SEE 30.255			

REVISONS		DESCRIPTION	DATE	BY	APPR
REV	ZONE	ECO	6/12/08	B.D.B.	M.R.F.
A1	-	-	RELEASE NUMBER 016871		

SOLID CONTACT SIZE	SOLID CONTACT PART NUMBERS		WIRE SIZE AVG(mm <sup>2</sup> )	RECOMMENDED STRIP LENGTH INCH (mm)	MIN CONTACT RETENTION LBS (N)	REF CRIMP TENSILE LBS (N)	MAX RATED AMPS@125°C CONTINUOUS
	PN	SOCKET					
16	AT60-202-16**	AT62-201-16**	16-20 [1.5-0.5]	0.25-0.31 [6.35-7.92]	25 [1111]	35-20 [156-89]	13

S&P CONTACT SIZE	STAMPED CONTACT PART NUMBERS		WIRE SIZE AVG (mm <sup>2</sup> )	WIRE INSULATION O.D. RANGE	RECOMMENDED STRIP LENGTH INCH (mm)	MIN CONTACT RETENTION LBS (N)	REF CRIMP TENSILE LBS (N)	MAX RATED AMPS@125°C CONTINUOUS
	PN	SOCKET						
16	AT60-14-01**	AT62-14-01**	14-16 [2.0-1.0]	.100 - .150 [2.54 - 3.81]	0.150-0.200 [3.81-5.08]	25 [1111]	25 [1111]	13
16	AT60-16-01**	AT62-16-01**	16-18 [1.0-0.75]	.075 - .100 [1.90 - 2.54]	0.150-0.200 [3.81-5.08]	25 [1111]	25 [1111]	13
16	AT60-16-06**	AT62-16-06**	18-20 [0.75-0.50]	.055 - .095 [1.40 - 2.41]	0.150-0.200 [3.81-5.08]	25 [1111]	25-15 [111+67]	13

CONTACT RESISTANCE STRENGTH (LESS DROP THROUGH WIRE)			
WIRE AWG	TEST CURRENT	MILLIVOLT DROP SOLID	MILLIVOLT DROP S&P
14	18	60	100
16	13	60	100
18	10	60	100
20	7.5	60	100

MATERIAL SPECIFICATION AND PLATING ** CODES	
PN: COPPER ALLOY	
SOCKET: COPPER ALLOY WITH STAINLESS STEEL SLEEVE	
SOLID MACHINED CONTACT PLATING OPTIONS: $\Delta$	31= GOLD*
	141= NICKEL
STAMPED CONTACT PLATING OPTIONS: $\Delta$	22= NICKEL
	44= GOLD*
	89= SELECTIVE GOLD*
GOLD* = PLATING IS AVAILABLE (RECOMMENDED) FOR ONLY (<5V) CIRCUIT APPLICATIONS	
MATERIALS AND PLATINGS ARE ROHS COMPLIANT	

**NOTES: UNLESS OTHERWISE SPECIFIED**

1. ALL DIMENSIONS ARE INCHES(MM).
2. ALL FORCES ARE IN LBS(POUNDS) AND "N" (NEWTONS).
3. CONTACT RETENTION TEST PULL RATE SHALL BE 1.0 INCH/2S. 4) PER MINUTE MAXIMUM. WIRE SIZE WILL AFFECT THE TRUE STRENGTH OF THE CRIMP.
4. WIRE SIZES AND INSULATION RANGES ARE FOR REFERENCE ONLY. THE ACTUAL INSULATION RANGE DEPENDS ON CONNECTOR GROMMET SEALING SIZE.

SEE SPECIFICATIONS LISTED BELOW FOR INDIVIDUAL CRIMP INFORMATION:

"SOLID" CONTACTS	SIZE	"STAMPED" CONTACTS	SIZE
	S2-15218	S2-15222	16
		S2-15221	16/20

1. MAXIMUM RATED CURRENT IN CHART DEPENDS ON CONTACT SIZE. ACTUAL RATED CURRENT DEPENDS ON WIRE SIZE.
2. CONTACT FACTORY FOR ALL AVAILABLE PLATING ON SPECIFIC CONTACTS.
3. AMPHENOL SINE PERFORMANCE SPECIFICATIONS REQUIRE THE USE OF AMPHENOL SINE APPROVED TOOLING.

PART NUMBER		DESCRIPTION		ITEM
MATERIALS LIST				
QUANTITY	UNLESS OTHERWISE SPECIFIED	SIGNATURES	DATE	
	1) All dimensions are in inches.	DATE:	4/5/09	
	2) All tolerances are as shown.	ORDERED BY:	6/3/09	
	3) Pl. DEC 20.00	ENGINEER:	BERNIM	
	4) Pl. DEC 20.00	APPROVAL:	BERNIM	
	5) Fabrication Standards Per:	CUSTOMER:	6/3/09	
	6) Pl. DEC 20.00	APPROVAL:		
	7) Pl. DEC 20.00			
	8) Pl. DEC 20.00			
	9) Pl. DEC 20.00			
	10) Pl. DEC 20.00			
	11) Pl. DEC 20.00			
	12) Pl. DEC 20.00			
	13) Pl. DEC 20.00			
	14) Pl. DEC 20.00			
	15) Pl. DEC 20.00			
	16) Pl. DEC 20.00			
	17) Pl. DEC 20.00			
	18) Pl. DEC 20.00			
	19) Pl. DEC 20.00			
	20) Pl. DEC 20.00			
	21) Pl. DEC 20.00			
	22) Pl. DEC 20.00			
	23) Pl. DEC 20.00			
	24) Pl. DEC 20.00			
	25) Pl. DEC 20.00			
	26) Pl. DEC 20.00			
	27) Pl. DEC 20.00			
	28) Pl. DEC 20.00			
	29) Pl. DEC 20.00			
	30) Pl. DEC 20.00			
	31) Pl. DEC 20.00			
	32) Pl. DEC 20.00			
	33) Pl. DEC 20.00			
	34) Pl. DEC 20.00			
	35) Pl. DEC 20.00			
	36) Pl. DEC 20.00			
	37) Pl. DEC 20.00			
	38) Pl. DEC 20.00			
	39) Pl. DEC 20.00			
	40) Pl. DEC 20.00			
	41) Pl. DEC 20.00			
	42) Pl. DEC 20.00			
	43) Pl. DEC 20.00			
	44) Pl. DEC 20.00			
	45) Pl. DEC 20.00			
	46) Pl. DEC 20.00			
	47) Pl. DEC 20.00			
	48) Pl. DEC 20.00			
	49) Pl. DEC 20.00			
	50) Pl. DEC 20.00			
	51) Pl. DEC 20.00			
	52) Pl. DEC 20.00			
	53) Pl. DEC 20.00			
	54) Pl. DEC 20.00			
	55) Pl. DEC 20.00			
	56) Pl. DEC 20.00			
	57) Pl. DEC 20.00			
	58) Pl. DEC 20.00			
	59) Pl. DEC 20.00			
	60) Pl. DEC 20.00			
	61) Pl. DEC 20.00			
	62) Pl. DEC 20.00			
	63) Pl. DEC 20.00			
	64) Pl. DEC 20.00			
	65) Pl. DEC 20.00			
	66) Pl. DEC 20.00			
	67) Pl. DEC 20.00			
	68) Pl. DEC 20.00			
	69) Pl. DEC 20.00			
	70) Pl. DEC 20.00			
	71) Pl. DEC 20.00			
	72) Pl. DEC 20.00			
	73) Pl. DEC 20.00			
	74) Pl. DEC 20.00			
	75) Pl. DEC 20.00			
	76) Pl. DEC 20.00			
	77) Pl. DEC 20.00			
	78) Pl. DEC 20.00			
	79) Pl. DEC 20.00			
	80) Pl. DEC 20.00			
	81) Pl. DEC 20.00			
	82) Pl. DEC 20.00			
	83) Pl. DEC 20.00			
	84) Pl. DEC 20.00			
	85) Pl. DEC 20.00			
	86) Pl. DEC 20.00			
	87) Pl. DEC 20.00			
	88) Pl. DEC 20.00			
	89) Pl. DEC 20.00			
	90) Pl. DEC 20.00			
	91) Pl. DEC 20.00			
	92) Pl. DEC 20.00			
	93) Pl. DEC 20.00			
	94) Pl. DEC 20.00			
	95) Pl. DEC 20.00			
	96) Pl. DEC 20.00			
	97) Pl. DEC 20.00			
	98) Pl. DEC 20.00			
	99) Pl. DEC 20.00			
	100) Pl. DEC 20.00			
	101) Pl. DEC 20.00			
	102) Pl. DEC 20.00			
	103) Pl. DEC 20.00			
	104) Pl. DEC 20.00			
	105) Pl. DEC 20.00			
	106) Pl. DEC 20.00			
	107) Pl. DEC 20.00			
	108) Pl. DEC 20.00			
	109) Pl. DEC 20.00			
	110) Pl. DEC 20.00			
	111) Pl. DEC 20.00			
	112) Pl. DEC 20.00			
	113) Pl. DEC 20.00			
	114) Pl. DEC 20.00			
	115) Pl. DEC 20.00			
	116) Pl. DEC 20.00			
	117) Pl. DEC 20.00			
	118) Pl. DEC 20.00			
	119) Pl. DEC 20.00			
	120) Pl. DEC 20.00			
	121) Pl. DEC 20.00			
	122) Pl. DEC 20.00			
	123) Pl. DEC 20.00			
	124) Pl. DEC 20.00			
	125) Pl. DEC 20.00			
	126) Pl. DEC 20.00			
	127) Pl. DEC 20.00			
	128) Pl. DEC 20.00			
	129) Pl. DEC 20.00			
	130) Pl. DEC 20.00			
	131) Pl. DEC 20.00			
	132) Pl. DEC 20.00			
	133) Pl. DEC 20.00			
	134) Pl. DEC 20.00			
	135) Pl. DEC 20.00			
	136) Pl. DEC 20.00			
	137) Pl. DEC 20.00			
	138) Pl. DEC 20.00			
	139) Pl. DEC 20.00			
	140) Pl. DEC 20.00			
	141) Pl. DEC 20.00			
	142) Pl. DEC 20.00			
	143) Pl. DEC 20.00			
	144) Pl. DEC 20.00			
	145) Pl. DEC 20.00			
	146) Pl. DEC 20.00			
	147) Pl. DEC 20.00			
	148) Pl. DEC 20.00			
	149) Pl. DEC 20.00			
	150) Pl. DEC 20.00			
	151) Pl. DEC 20.00			
	152) Pl. DEC 20.00			
	153) Pl. DEC 20.00			
	154) Pl. DEC 20.00			
	155) Pl. DEC 20.00			
	156) Pl. DEC 20.00			
	157) Pl. DEC 20.00			
	158) Pl. DEC 20.00			
	159) Pl. DEC 20.00			
	160) Pl. DEC 20.00			
	161) Pl. DEC 20.00			
	162) Pl. DEC 20.00			
	163) Pl. DEC 20.00			
	164) Pl. DEC 20.00			
	165) Pl. DEC 20.00			
	166) Pl. DEC 20.00			
	167) Pl. DEC 20.00			
	168) Pl. DEC 20.00			
	169) Pl. DEC 20.00			
	170) Pl. DEC 20.00			
	171) Pl. DEC 20.00			
	172) Pl. DEC 20.00			
	173) Pl. DEC 20.00			
	174) Pl. DEC 20.00			
	175) Pl. DEC 20.00			
	176) Pl. DEC 20.00			
	177) Pl. DEC 20.00			
	178) Pl. DEC 20.00			
	179) Pl. DEC 20.00			
	180) Pl. DEC 20.00			
	181) Pl. DEC 20.00			
	182) Pl. DEC 20.00			
	183) Pl. DEC 20.00			
	184) Pl. DEC 20.00			
	185) Pl. DEC 20.00			
	186) Pl. DEC 20.00			
	187) Pl. DEC 20.00			
	188) Pl. DEC 20.00			
	189) Pl. DEC 20.00			
	190) Pl. DEC 20.00			
	191) Pl. DEC 20.00			
	192) Pl. DEC 20.00			
	193) Pl. DEC 20.00			
	194) Pl. DEC 20.00			
	195) Pl. DEC 20.00			
	196) Pl. DEC 20.00			
	197) Pl. DEC 20.00			
	198) Pl. DEC 20.00			
	199) Pl. DEC 20.00			
	200) Pl. DEC 20.00			



Компания «ЭлектроПласт» предлагает заключение долгосрочных отношений при поставках импортных электронных компонентов на взаимовыгодных условиях!

Наши преимущества:

- Оперативные поставки широкого спектра электронных компонентов отечественного и импортного производства напрямую от производителей и с крупнейших мировых складов;
- Поставка более 17-ти миллионов наименований электронных компонентов;
- Поставка сложных, дефицитных, либо снятых с производства позиций;
- Оперативные сроки поставки под заказ (от 5 рабочих дней);
- Экспресс доставка в любую точку России;
- Техническая поддержка проекта, помощь в подборе аналогов, поставка прототипов;
- Система менеджмента качества сертифицирована по Международному стандарту ISO 9001;
- Лицензия ФСБ на осуществление работ с использованием сведений, составляющих государственную тайну;
- Поставка специализированных компонентов (Xilinx, Altera, Analog Devices, Intersil, Interpoint, Microsemi, Aeroflex, Peregrine, Syfer, Eurofarad, Texas Instrument, Miteq, Cobham, E2V, MA-COM, Hittite, Mini-Circuits, General Dynamics и др.);

Помимо этого, одним из направлений компании «ЭлектроПласт» является направление «Источники питания». Мы предлагаем Вам помощь Конструкторского отдела:

- Подбор оптимального решения, техническое обоснование при выборе компонента;
- Подбор аналогов;
- Консультации по применению компонента;
- Поставка образцов и прототипов;
- Техническая поддержка проекта;
- Защита от снятия компонента с производства.



#### Как с нами связаться

**Телефон:** 8 (812) 309 58 32 (многоканальный)

**Факс:** 8 (812) 320-02-42

**Электронная почта:** [org@eplast1.ru](mailto:org@eplast1.ru)

**Адрес:** 198099, г. Санкт-Петербург, ул. Калинина, дом 2, корпус 4, литера А.