

# ACZRM5221B-HF Thru ACZRM5263B-HF

Voltage: 2.4 to 56 Volts

Power: 500 mWatts

RoHS Device

Halogen Free



## Features

- Surface Device Type Mounting.
- Moisture Sensitivity Level 1.
- Clip bonding construction, good thermal capability.
- Ideally suited for automated assembly processes.
- Comply with AEC-Q101.

## Mechanical data

- Case: SOD-123 Flat Lead, Molded plastic.
- Terminals: Solder Plated, solderable per MIL-STD-750, method 2026.
- Polarity: Cathode band.



## Circuit Diagram



## Maximum Ratings (@Ta=25°C unless otherwise specified)

| Parameter                               | Symbol           | Value       | Unit |
|---|------------------|-------------|------|
| Power Dissipation                       | P <sub>D</sub>   | 500         | mW   |
| Storage Temperature Range               | T <sub>STG</sub> | -65 to +150 | °C   |
| Operating and Storage Temperature Range | T <sub>OPR</sub> | -65 to +150 | °C   |

Notes: 1. These ratings are limiting values above which the serviceability of the diode may be impaired.  
 2. Company reserves the right to improve product design, functions and reliability without notice.

## Electrical Characteristics (Ta = 25°C)

| Part Number   | Vz @ IzT<br>(Volts) |     |       | ZzT @ IzT<br>(Ohm) |         | Zzk @ IzK<br>(Ohm) |         | IR @ VR<br>(µA) |       | Marking Code |
|---------------|---------------------|-----|-------|--------------------|---------|--------------------|---------|-----------------|-------|--------------|
|               | Min                 | Nom | Max   | Max                | IzT(mA) | Max                | IzK(mA) | Max             | VR(V) |              |
| ACZRM5221B-HF | 2.28                | 2.4 | 2.52  | 30                 | 20      | 1200               | 0.25    | 100             | 1.0   | Z2V4         |
| ACZRM5222B-HF | 2.38                | 2.5 | 2.63  | 30                 | 20      | 1250               | 0.25    | 100             | 1.0   | Z2V5         |
| ACZRM5223B-HF | 2.57                | 2.7 | 2.84  | 30                 | 20      | 1300               | 0.25    | 75              | 1.0   | Z2V7         |
| ACZRM5224B-HF | 2.66                | 2.8 | 2.94  | 30                 | 20      | 1400               | 0.25    | 75              | 1.0   | Z2V8         |
| ACZRM5225B-HF | 2.85                | 3.0 | 3.15  | 29                 | 20      | 1600               | 0.25    | 50              | 1.0   | Z3V0         |
| ACZRM5226B-HF | 3.14                | 3.3 | 3.47  | 28                 | 20      | 1600               | 0.25    | 25              | 1.0   | Z3V3         |
| ACZRM5227B-HF | 3.42                | 3.6 | 3.78  | 24                 | 20      | 1700               | 0.25    | 15              | 1.0   | Z3V6         |
| ACZRM5228B-HF | 3.71                | 3.9 | 4.10  | 23                 | 20      | 1900               | 0.25    | 10              | 1.0   | Z3V9         |
| ACZRM5229B-HF | 4.09                | 4.3 | 4.52  | 22                 | 20      | 2000               | 0.25    | 5               | 1.0   | Z4V3         |
| ACZRM5230B-HF | 4.47                | 4.7 | 4.94  | 19                 | 20      | 1900               | 0.25    | 5               | 2.0   | Z4V7         |
| ACZRM5231B-HF | 4.85                | 5.1 | 5.36  | 17                 | 20      | 1600               | 0.25    | 5               | 2.0   | Z5V1         |
| ACZRM5232B-HF | 5.32                | 5.6 | 5.88  | 11                 | 20      | 1600               | 0.25    | 5               | 3.0   | Z5V6         |
| ACZRM5233B-HF | 5.70                | 6.0 | 6.30  | 7                  | 20      | 1600               | 0.25    | 5               | 3.5   | Z6V0         |
| ACZRM5234B-HF | 5.89                | 6.2 | 6.51  | 7                  | 20      | 1000               | 0.25    | 5               | 4.0   | Z6V2         |
| ACZRM5235B-HF | 6.46                | 6.8 | 7.14  | 5                  | 20      | 750                | 0.25    | 3               | 5.0   | Z6V8         |
| ACZRM5236B-HF | 7.13                | 7.5 | 7.88  | 6                  | 20      | 500                | 0.25    | 3               | 6.0   | Z7V5         |
| ACZRM5237B-HF | 7.79                | 8.2 | 8.61  | 8                  | 20      | 500                | 0.25    | 3               | 6.5   | Z8V2         |
| ACZRM5238B-HF | 8.27                | 8.7 | 9.14  | 8                  | 20      | 600                | 0.25    | 3               | 6.5   | Z8V7         |
| ACZRM5239B-HF | 8.65                | 9.1 | 9.56  | 10                 | 20      | 600                | 0.25    | 3               | 7.0   | Z9V1         |
| ACZRM5240B-HF | 9.5                 | 10  | 10.50 | 17                 | 20      | 600                | 0.25    | 3               | 8.0   | Z10V         |
| ACZRM5241B-HF | 10.45               | 11  | 11.55 | 22                 | 20      | 600                | 0.25    | 2               | 8.4   | Z11V         |
| ACZRM5242B-HF | 11.40               | 12  | 12.60 | 30                 | 20      | 600                | 0.25    | 1               | 9.1   | Z12V         |
| ACZRM5243B-HF | 12.35               | 13  | 13.65 | 13                 | 9.5     | 600                | 0.25    | 0.5             | 9.9   | Z13V         |
| ACZRM5244B-HF | 13.30               | 14  | 14.70 | 15                 | 9.0     | 600                | 0.25    | 0.1             | 10    | Z14V         |
| ACZRM5245B-HF | 14.25               | 15  | 15.75 | 16                 | 8.5     | 600                | 0.25    | 0.1             | 11    | Z15V         |
| ACZRM5246B-HF | 15.20               | 16  | 16.80 | 17                 | 7.8     | 600                | 0.25    | 0.1             | 12    | Z16V         |
| ACZRM5247B-HF | 16.15               | 17  | 17.85 | 19                 | 7.4     | 600                | 0.25    | 0.1             | 13    | Z17V         |
| ACZRM5248B-HF | 17.10               | 18  | 18.90 | 21                 | 7.0     | 600                | 0.25    | 0.1             | 14    | Z18V         |
| ACZRM5249B-HF | 18.05               | 19  | 19.95 | 23                 | 6.6     | 600                | 0.25    | 0.1             | 14    | Z19V         |
| ACZRM5250B-HF | 19.00               | 20  | 21.00 | 25                 | 6.2     | 600                | 0.25    | 0.1             | 15    | Z20V         |

Company reserves the right to improve product design , functions and reliability without notice.

REV: A

## Electrical Characteristics (Ta = 25°C)

| Part Number   | Vz @ IzT<br>(Volts) |     |       | ZzT @ IzT<br>(Ohm) |         | Zzk @ Izk<br>(Ohm) |         | IR @ VR<br>(µA) |       | Marking Code |
|---------------|---------------------|-----|-------|--------------------|---------|--------------------|---------|-----------------|-------|--------------|
|               | Min                 | Nom | Max   | Max                | IzT(mA) | Max                | Izk(mA) | Max             | VR(V) |              |
| ACZRM5251B-HF | 20.90               | 22  | 23.10 | 29                 | 5.6     | 600                | 0.25    | 0.1             | 17    | Z22V         |
| ACZRM5252B-HF | 22.80               | 24  | 25.20 | 33                 | 5.2     | 600                | 0.25    | 0.1             | 18    | Z24V         |
| ACZRM5253B-HF | 23.75               | 25  | 26.25 | 35                 | 5.0     | 600                | 0.25    | 0.1             | 19    | Z25V         |
| ACZRM5254B-HF | 25.65               | 27  | 28.35 | 41                 | 4.6     | 600                | 0.25    | 0.1             | 21    | Z27V         |
| ACZRM5255B-HF | 26.60               | 28  | 29.40 | 44                 | 4.5     | 600                | 0.25    | 0.1             | 21    | Z28V         |
| ACZRM5256B-HF | 28.50               | 30  | 31.50 | 49                 | 4.2     | 600                | 0.25    | 0.1             | 23    | Z30V         |
| ACZRM5257B-HF | 31.35               | 33  | 34.65 | 58                 | 3.8     | 700                | 0.25    | 0.1             | 25    | Z33V         |
| ACZRM5258B-HF | 34.20               | 36  | 37.80 | 70                 | 3.4     | 700                | 0.25    | 0.1             | 27    | Z36V         |
| ACZRM5259B-HF | 37.05               | 39  | 40.95 | 80                 | 3.2     | 800                | 0.25    | 0.1             | 30    | Z39V         |
| ACZRM5260B-HF | 40.85               | 43  | 45.15 | 93                 | 3.0     | 900                | 0.25    | 0.1             | 33    | Z43V         |
| ACZRM5261B-HF | 44.65               | 47  | 49.35 | 105                | 2.7     | 1000               | 0.25    | 0.1             | 36    | Z47V         |
| ACZRM5262B-HF | 48.45               | 51  | 53.55 | 125                | 2.5     | 1100               | 0.25    | 0.1             | 39    | Z51V         |
| ACZRM5263B-HF | 53.20               | 56  | 58.80 | 150                | 2.2     | 1300               | 0.25    | 0.1             | 43    | Z56V         |

Notes: 1. The zener voltage (Vz) is tested under pulse condition of 15mS.

The measured Vz is guaranteed to be within specification with device junction in thermal equilibrium.

2. The device numbers listed have a standard tolerance on the nominal zener voltage of ±5%.
3. The zener impedance is derived from the 60-cycle ac voltage, which results when an ac current having an rms value equal to 10% of the dc zener current (IzT or Izk) is superimposed to IzT or Izk.
4. Company reserves the right to improve product design , functions and reliability without notice.

## RATING AND CHARACTERISTIC CURVES (ACZRM5221B-HF Thru. ACZRM5263B-HF)

Fig.1 - Typical Forward Voltage



Fig.2 - Effect Of Zener Voltage On Zener Impedance



Fig.3 - Power Dissipation VS. Ambient Temp.



Fig.4 - Typical Capacitance



## RATING AND CHARACTERISTIC CURVES (ACZRM5221B-HF Thru. ACZRM5263B-HF)

Fig.5 - Zener Breakdown Characteristics



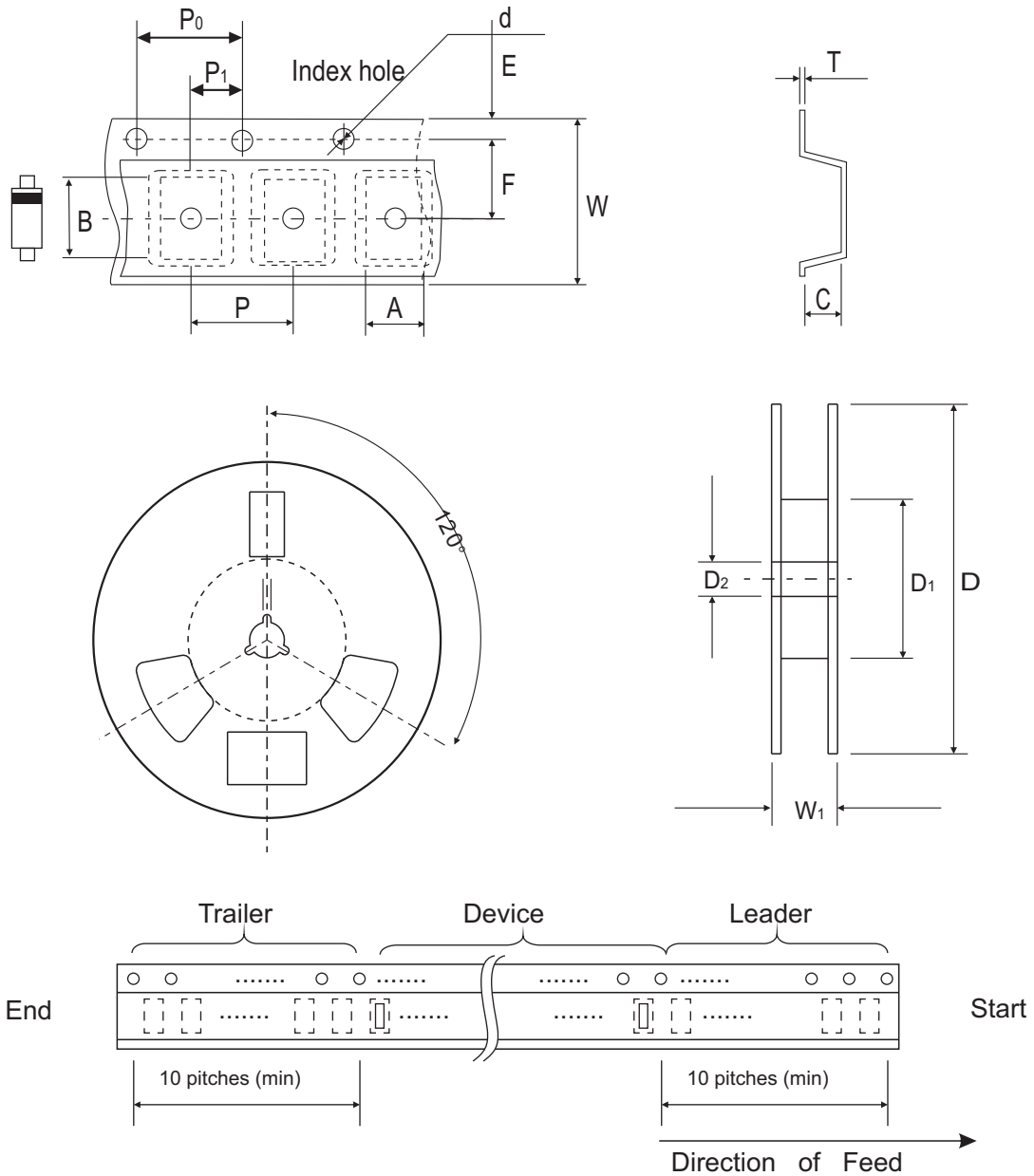
Fig.6 - Zener Breakdown Characteristics



Fig.7 - Typical Leakage Current



## Reel Taping Specification



| SOD-123FL | SYMBOL | A             | B             | C             | d             | D          | D <sub>1</sub> | D <sub>2</sub> |
|-----------|--------|---------------|---------------|---------------|---------------|------------|----------------|----------------|
|           | (mm)   | 1.85 ± 0.10   | 3.94 ± 0.10   | 1.58 ± 0.10   | 1.55 ± 0.10   | 178 MAX.   | 50.0 MIN.      | 13.0 ± 0.20    |
|           | (inch) | 0.073 ± 0.004 | 0.155 ± 0.004 | 0.062 ± 0.004 | 0.061 ± 0.004 | 7.008 MAX. | 1.969 MIN.     | 0.512 ± 0.008  |

| SOD-123FL | SYMBOL | E             | F             | P             | P <sub>0</sub> | P <sub>1</sub> | T          | W             | W <sub>1</sub> |
|-----------|--------|---------------|---------------|---------------|----------------|----------------|------------|---------------|----------------|
|           | (mm)   | 1.75 ± 0.10   | 3.50 ± 0.05   | 4.00 ± 0.10   | 4.00 ± 0.10    | 2.00 ± 0.10    | 0.40 Max.  | 8.00 ± 0.30   | 14.4 MAX.      |
|           | (inch) | 0.069 ± 0.004 | 0.138 ± 0.002 | 0.157 ± 0.004 | 0.157 ± 0.004  | 0.079 ± 0.004  | 0.016 Max. | 0.315 ± 0.012 | 0.567 MAX.     |

Company reserves the right to improve product design , functions and reliability without notice.

REV: A

## Marking Code

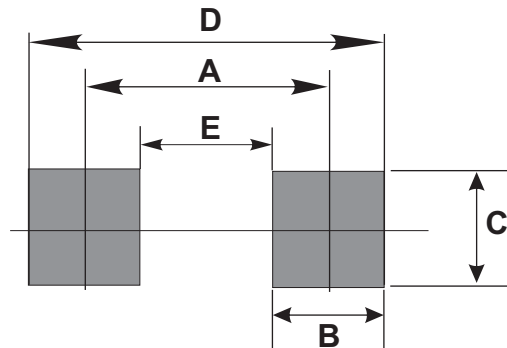
| Part Number           | Marking Code |
|-----------------------|--------------|
| ACZRM5221B ~ 5263B-HF | XXXX         |



Product type marking code (see page.2~3)

## Suggested PAD Layout

| SIZE | SOD-123FL |        |
|------|-----------|--------|
|      | (mm)      | (inch) |
| A    | 2.90      | 0.132  |
| B    | 1.10      | 0.031  |
| C    | 1.10      | 0.039  |
| D    | 4.00      | 0.163  |
| E    | 1.60      | 0.100  |



## Standard Packaging

| Case Type | REEL PACK    |                  |
|-----------|--------------|------------------|
|           | REEL ( pcs ) | Reel Size (inch) |
| SOD-123FL | 3,000        | 7                |



Компания «ЭлектроПласт» предлагает заключение долгосрочных отношений при поставках импортных электронных компонентов на взаимовыгодных условиях!

Наши преимущества:

- Оперативные поставки широкого спектра электронных компонентов отечественного и импортного производства напрямую от производителей и с крупнейших мировых складов;
- Поставка более 17-ти миллионов наименований электронных компонентов;
- Поставка сложных, дефицитных, либо снятых с производства позиций;
- Оперативные сроки поставки под заказ (от 5 рабочих дней);
- Экспресс доставка в любую точку России;
- Техническая поддержка проекта, помощь в подборе аналогов, поставка прототипов;
- Система менеджмента качества сертифицирована по Международному стандарту ISO 9001;
- Лицензия ФСБ на осуществление работ с использованием сведений, составляющих государственную тайну;
- Поставка специализированных компонентов (Xilinx, Altera, Analog Devices, Intersil, Interpoint, Microsemi, Aeroflex, Peregrine, Syfer, Eurofarad, Texas Instrument, Miteq, Cobham, E2V, MA-COM, Hittite, Mini-Circuits, General Dynamics и др.);

Помимо этого, одним из направлений компании «ЭлектроПласт» является направление «Источники питания». Мы предлагаем Вам помощь Конструкторского отдела:

- Подбор оптимального решения, техническое обоснование при выборе компонента;
- Подбор аналогов;
- Консультации по применению компонента;
- Поставка образцов и прототипов;
- Техническая поддержка проекта;
- Защита от снятия компонента с производства.



#### Как с нами связаться

**Телефон:** 8 (812) 309 58 32 (многоканальный)

**Факс:** 8 (812) 320-02-42

**Электронная почта:** [org@eplast1.ru](mailto:org@eplast1.ru)

**Адрес:** 198099, г. Санкт-Петербург, ул. Калинина, дом 2, корпус 4, литера А.