



# NJG1714KC1

## ■ABSOLUTE MAXIMUM RATINGS

( $T_a=+25^{\circ}\text{C}$ ,  $Z_s=Z_l=50\Omega$ )

PARAMETER	SYMBPL	CONDITIONS	RATINGS	UNITS
LNA Voltage	$V_{LNA}$		5.0	V
Mixer Voltage	$V_{MIX}$		5.0	V
Local Amplifier Voltage	$V_{LO}$		5.0	V
Input Power 1	$P_{LNAIN}$	$V_{LNA}=V_{MIX}=V_{LO}=2.7\text{V}$	+15	dBm
Input Power 2	$P_{LOIN}$	$V_{LNA}=V_{MIX}=V_{LO}=2.7\text{V}$	+10	dBm
Power Dissipation	$P_D$		550	mW
Operating Temperature	$T_{opr}$		-40~+85	$^{\circ}\text{C}$
Storage Temperature	$T_{stg}$		-55~+125	$^{\circ}\text{C}$

## ■ELECTRICAL CHARACTERISTICS 1 (LNA)

GENERAL CONDITIONS:  $T_a=+25^{\circ}\text{C}$ ,  $V_{LNA}=2.7\text{V}$ ,  $V_{MIX}=V_{LO}=0\text{V}$ ,  $f_{RF}=1900\text{MHz}$ ,  $P_{RF}=-36\text{dBm}$ ,  $Z_s=Z_l=50\Omega$ , with test circuit

PARAMETER	SYMBOL	CONDITIONS	MIN	TYP	MAX	UNITS
Operating Frequency	freq		1890	1900	1920	MHz
LNA Voltage	$V_{LNA}$		2.5	2.7	4.5	V
LNA Operating Current	$I_{LNA}$	$P_{RF}, P_{LO}=\text{OFF}$	-	2.8	3.5	mA
Small Signal Gain	Gain		13.0	15.0	-	dB
Gain Flatness	$G_{flat}$	$f_{RF}=1890\sim 1920\text{MHz}$	-	0.5	1.0	dB
Noise Figure	NF		-	1.3	1.5	dB
Pout at 1dB Gain Compression point	$P_{-1dB}$		-4.0	0	-	dBm
Output 3rd order Intercept point	OIP3	$f_{RF}=1900.0+1900.1\text{MHz}$	+9.0	+13.0	-	dBm
RF IN VSWR	$VSWR_i$		-	2.0	-	
RF OUT VSWR	$VSWR_o$		-	2.0	-	

## ■ELECTRICAL CHARACTERISTICS 2 (Mixer)

GENERAL CONDITIONS:  $T_a=+25^{\circ}\text{C}$ ,  $V_{LNA}=0\text{V}$ ,  $V_{MIX}=V_{LO}=2.7\text{V}$ ,  $f_{RF}=1900\text{MHz}$ ,  $f_{LO}=1660\text{MHz}$ ,  $P_{RF}=-30\text{dBm}$ ,  $P_{LO}=-15\text{dBm}$ ,  $Z_s=Z_l=50\Omega$ , with test circuit

PARAMETER	SYMBOL	CONDITIONS	MIN	TYP	MAX	UNITS
Operating Frequency	freq		1890	1900	1920	MHz
Mixer Voltage	$V_{MIX}$		2.5	2.7	4.5	V
Local Amplifier Voltage	$V_{LO}$		2.5	2.7	4.5	V
Mixer Operating Current	$I_{MIX}$	$P_{RF}, P_{LO}=\text{OFF}$	-	4.6	5.7	mA
Local Amplifier Operating Current	$I_{LO}$	$P_{RF}, P_{LO}=\text{OFF}$	-	0.9	1.3	mA
Conversion Gain	$G_c$		7.0	9.0	-	dB
Noise Figure	NF		-	7.0	9.0	dB
Output 3rd Order Intercept Point	OIP3	$f_{RF}=1900.0+1900.1\text{MHz}$	+7.0	+11.0	-	dBm
MIXER IN VSWR	$VSWR_M$		-	2.0	-	
LOCAL IN VSWR	$VSWR_L$		-	2.0	-	
IF OUT VSWR	$VSWR_I$		-	1.5	-	

## ■ TERMINAL INFORMATION

No.	SYMBOL	FUNCTION
1	LNAIN	RF input terminal of LNA. An external matching circuit is required.
2	LNACAP	Terminal for the bypass capacitor of LNA. The bypass capacitor C1 shown in test circuits should be connected to this terminal as close as possible.
3	GND	Ground terminal (0V)
4	IFOUT	IF signal output terminal. The IF signal is output through external matching circuit connected to this terminal. Please connect inductances L7, L8 and power supply as shown in test circuits, since this terminal is also the terminal of mixer power supply.
5	VLO	Power supply terminal for local amplifier. Please place L6 shown in test circuits at very close to this terminal.
6	LOIN	Local signal input terminal to local amplifier. An external matching circuit is required.
7	BPC	Terminal for the bypass capacitor of mixer. The bypass capacitor C4 shown in test circuits should be connected to this terminal as close as possible.
8	MIXIN	RF signal input terminal to mixer. An external matching circuit is required.
9	GND	Ground terminal (0V)
10	LNAOUT	Signal output terminal of LNA. The RF signal from LNA goes out through external matching circuit connected to this terminal. Please connect inductances L3, L4 and power supply as shown in test circuits, since this terminal is also the terminal of LNA power supply.

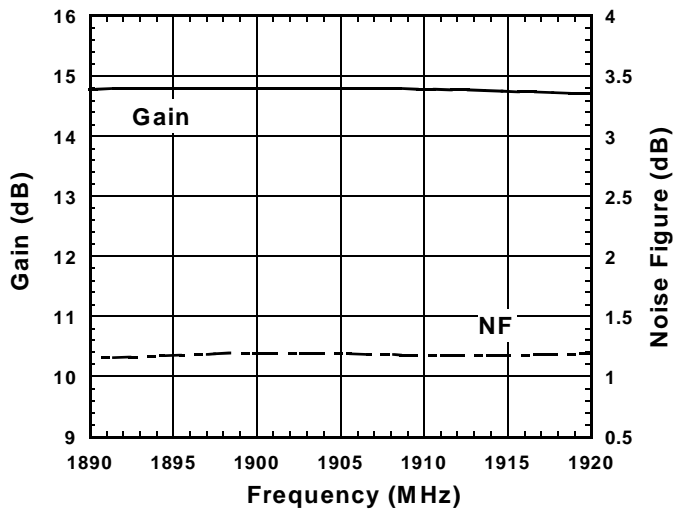
### CAUTION

- 1) Ground terminal (No.3, 9) should be connected to the ground plane as close as possible.

# NJG1714KC1

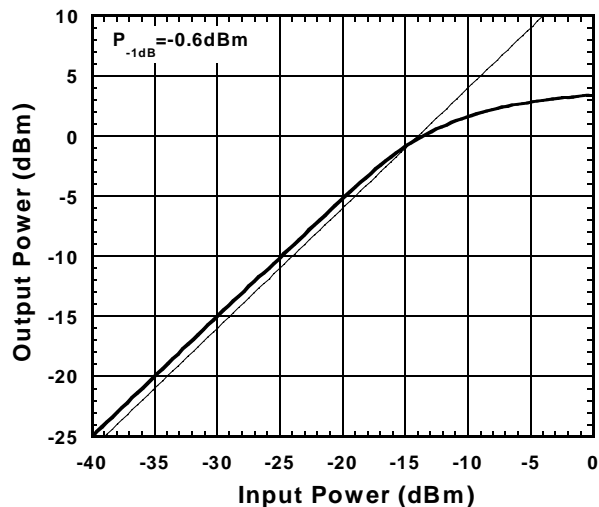
## ■ TYPICAL CHARACTERISTICS 1 (LNA, f=1.9GHz, with test circuit )

### Gain, Noise Figure vs. Frequency



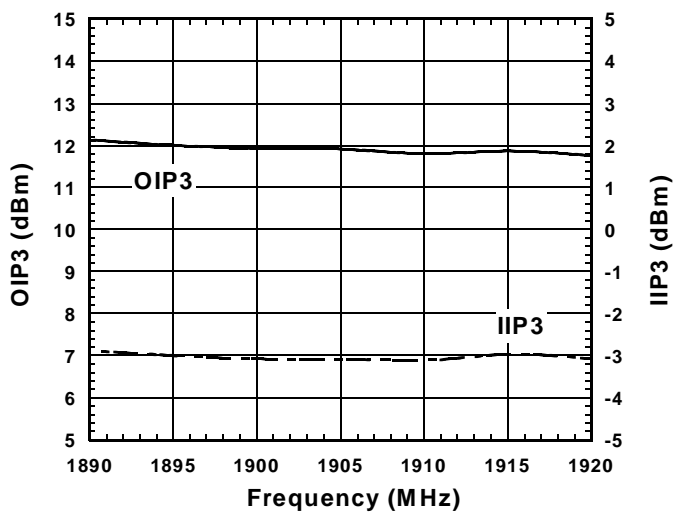
Condition  
 f=1890~1920MHz  
 $V_{LNA}=2.7V$   
 $V_{MIX}=V_{LO}=0V$

### Output Power vs. Input Power



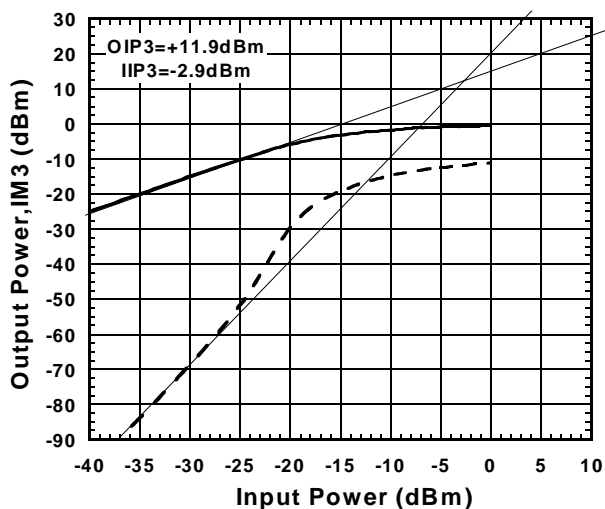
Condition  
 f=1900MHz  
 $V_{LNA}=2.7V$   
 $V_{MIX}=V_{LO}=0V$

### OIP3, IIP3 vs. Frequency



Condition  
 f=1890~1920MHz  
 $f_{OFFSET}=100kHz$   
 $P_{in}=-36dBm$   
 $V_{LNA}=2.7V$   
 $V_{MIX}=V_{LO}=0V$

### Output Power, IM3 vs. Input Power



Condition  
 f=1900.0+1900.1MHz  
 $V_{LNA}=2.7V$   
 $V_{MIX}=V_{LO}=0V$

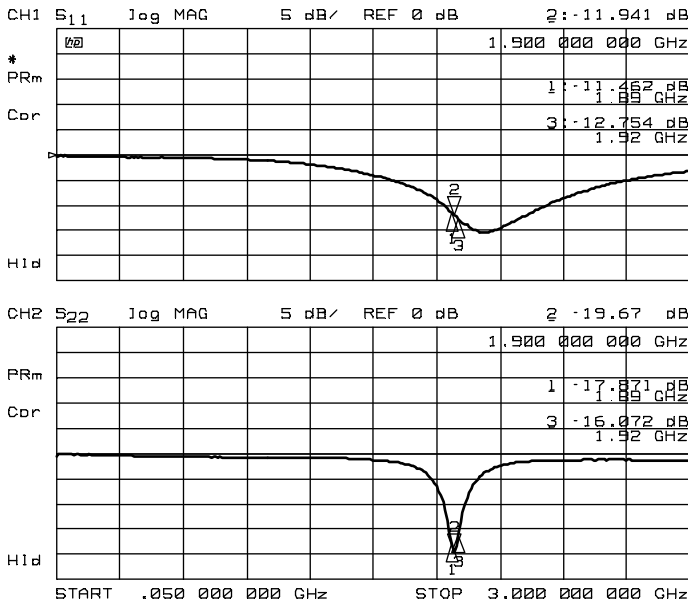
The value of OIP3 and IIP3 shown in typical characteristics are calculated

$$OIP3 = \frac{3 \times P_{out} - IM3}{2}$$

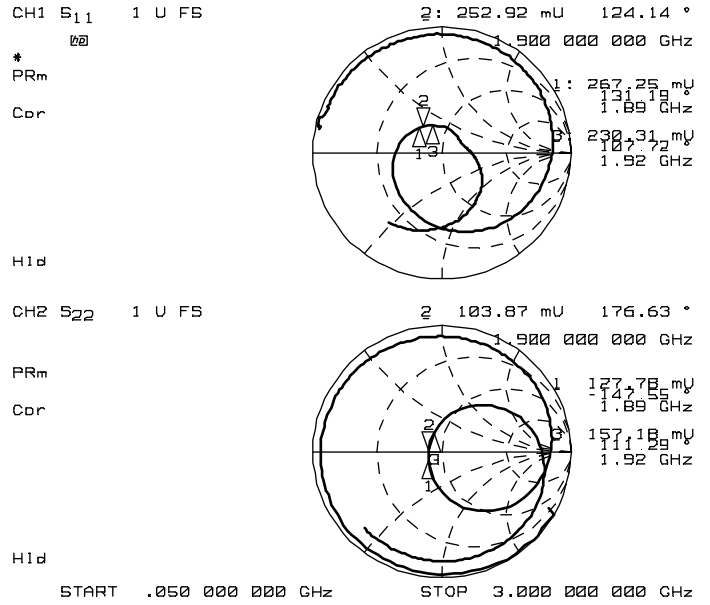
$$IIP3 = OIP3 - Gain$$

@  $P_{in} = -36dBm$

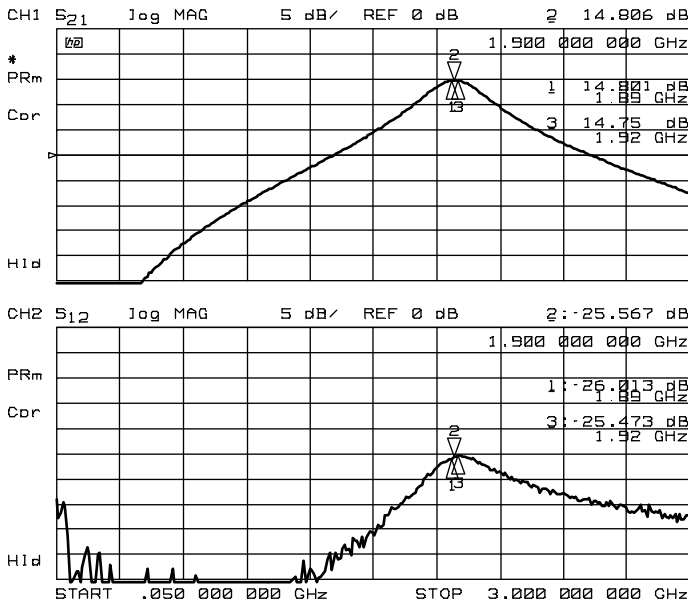
## TYPICAL CHARACTERISTICS 1 (LNA, f=1.9GHz, with test circuit)



S<sub>11</sub> and S<sub>22</sub>  
Condition  
V<sub>LNA</sub>=2.7V  
V<sub>MIX</sub>=V<sub>LO</sub>=0V



Z<sub>11</sub> and Z<sub>22</sub>  
Condition  
V<sub>LNA</sub>=2.7V  
V<sub>MIX</sub>=V<sub>LO</sub>=0V

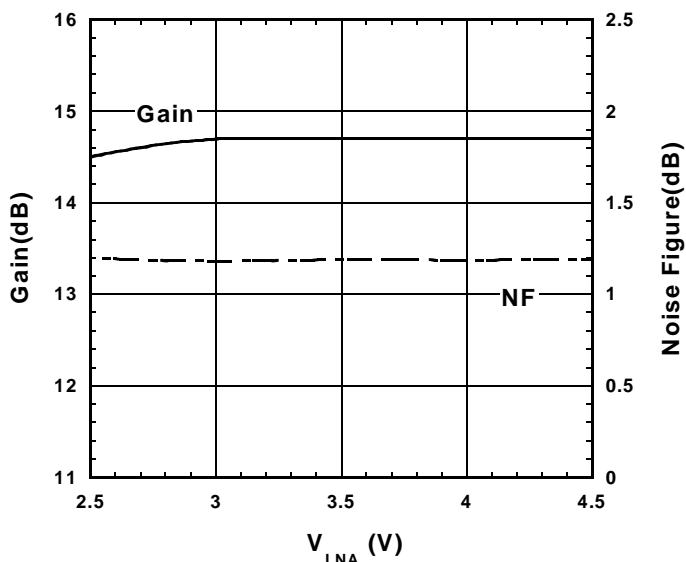


S<sub>21</sub> and S<sub>12</sub>  
Condition  
V<sub>LNA</sub>=2.7V  
V<sub>MIX</sub>=V<sub>LO</sub>=0V

# NJG1714KC1

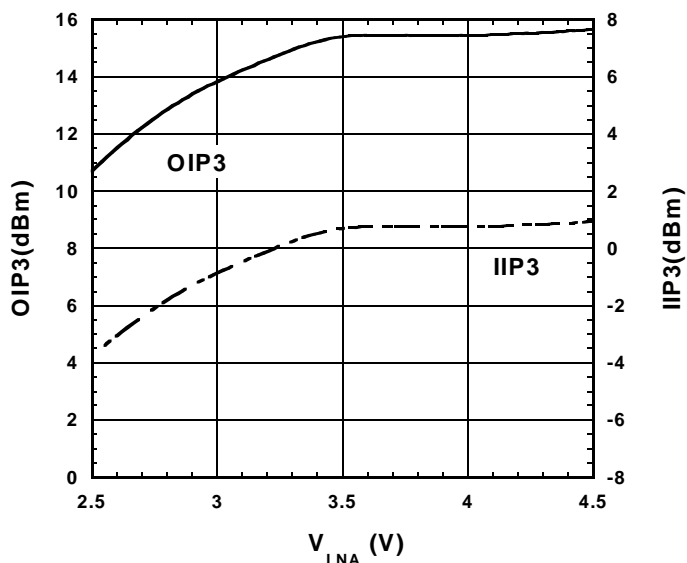
## ■ TYPICAL CHARACTERISTICS 1 (LNA, f=1.9GHz, with test circuit )

Gain, Noise Figure vs.  $V_{LNA}$



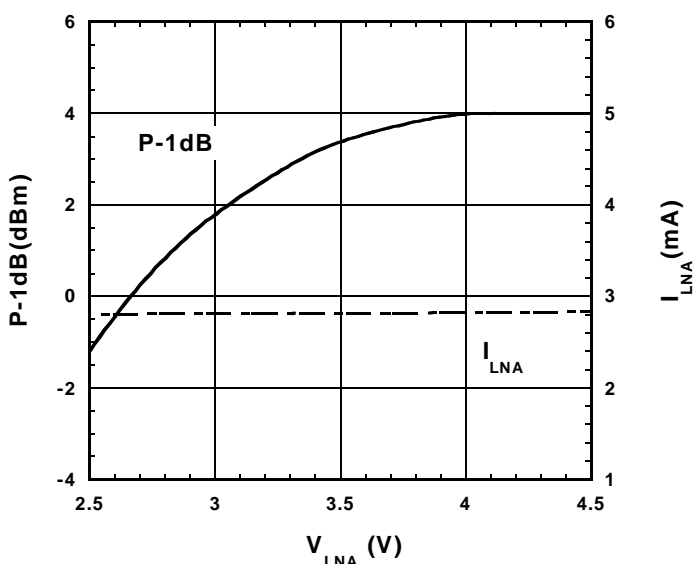
Condition  
 $f=1900\text{MHz}$ ,  $P_{in}=-36\text{dBm}$   
 $V_{LNA}=2.5\sim 4.5\text{V}$   
 $V_{MIX}=V_{LO}=0\text{V}$

OIP3, IIP3 vs.  $V_{LNA}$



Condition  
 $f=1900+1900.1\text{MHz}$   
 $P_{in}=-36\text{dBm}$   
 $V_{LNA}=2.5\sim 4.5\text{V}$   
 $V_{MIX}=V_{LO}=0\text{V}$

P-1dB,  $I_{LNA}$  vs.  $V_{LNA}$



Condition  
 $f=1900\text{MHz}$   
 $V_{LNA}=2.5\sim 4.5\text{V}$   
 $V_{MIX}=V_{LO}=0\text{V}$

The value of OIP3 and IIP3 shown in typical characteristics are calculated

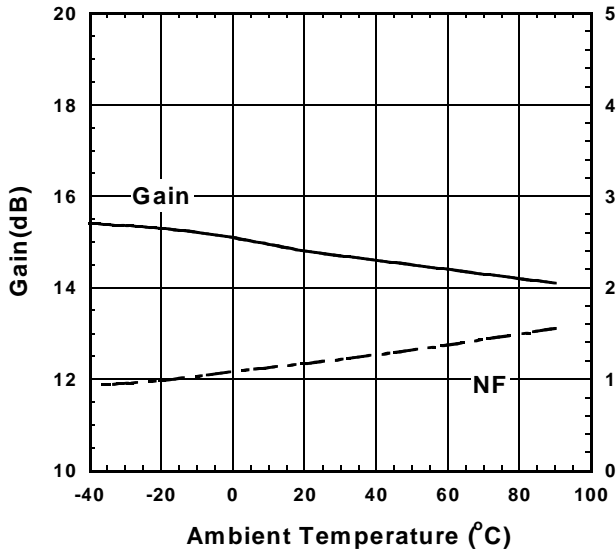
$$OIP3 = \frac{3 \times P_{out} - IM3}{2}$$

$$IIP3 = OIP3 - \text{Gain}$$

@  $P_{in} = -36\text{dBm}$

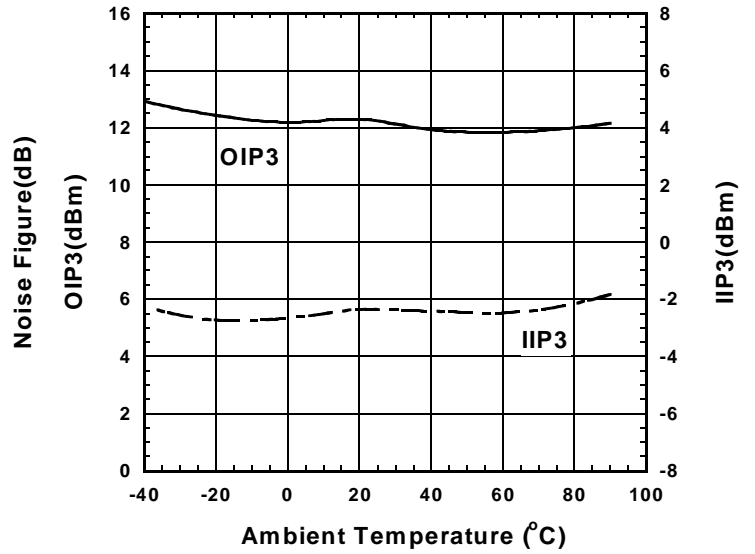
## ■ TYPICAL CHARACTERISTICS 1 (LNA, f=1.9GHz, with test circuit )

### Gain, Noise Figure vs. Temperature



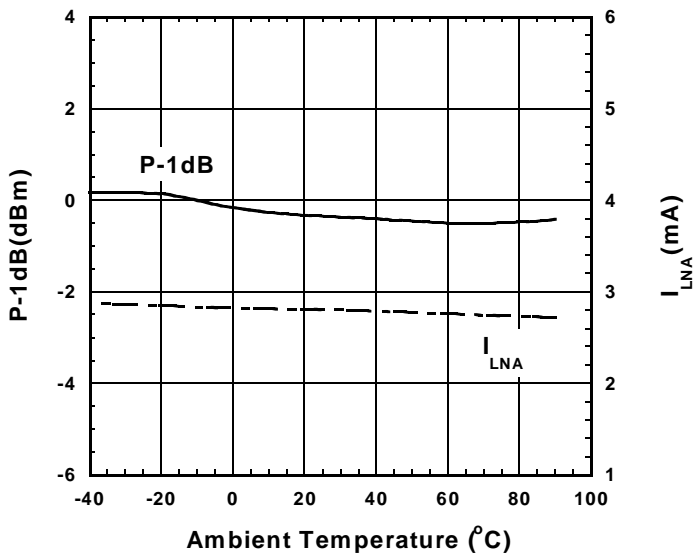
Condition  
 f=1900MHz  
 $V_{LNA}=2.7V$   
 $V_{MIX}=V_{LO}=0V$

### OIP3, IIP3 vs. Temperature



Condition  
 f=1900+1900.1MHz  
 $P_{in}=-36dBm$   
 $V_{LNA}=2.7V$   
 $V_{MIX}=V_{LO}=0V$

### P-1dB, $I_{LNA}$ vs. Temperature



Condition  
 f=1900MHz  
 $V_{LNA}=2.7V$   
 $V_{MIX}=V_{LO}=0V$

The value of OIP3 and IIP3 shown in typical characteristics are calculated

$$OIP3 = \frac{3 \times P_{out} - IM3}{2}$$

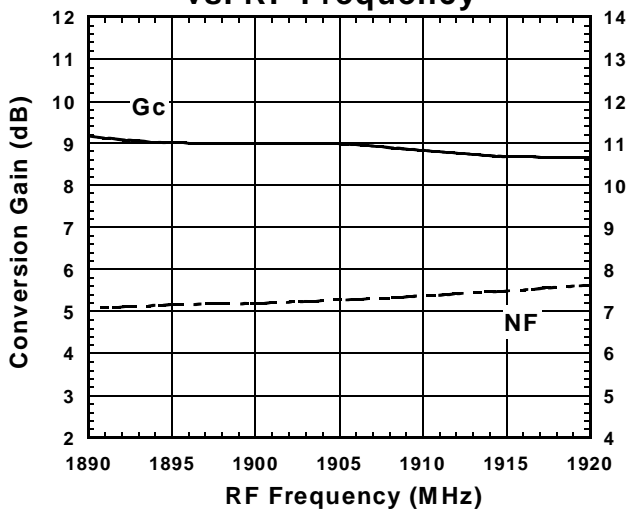
$$IIP3 = OIP3 - Gain$$

@  $P_{in} = -36dBm$

# NJG1714KC1

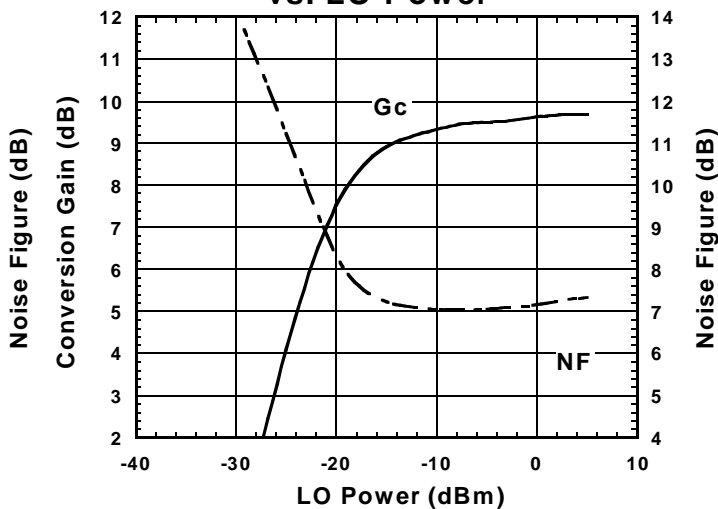
## ■ TYPICAL CHARACTERISTICS 2 (MIXER, $f=1.9\text{GHz}$ , $f_{LO}=1660\text{MHz}$ , with test circuit)

### Conversion Gain, Noise Figure vs. RF Frequency



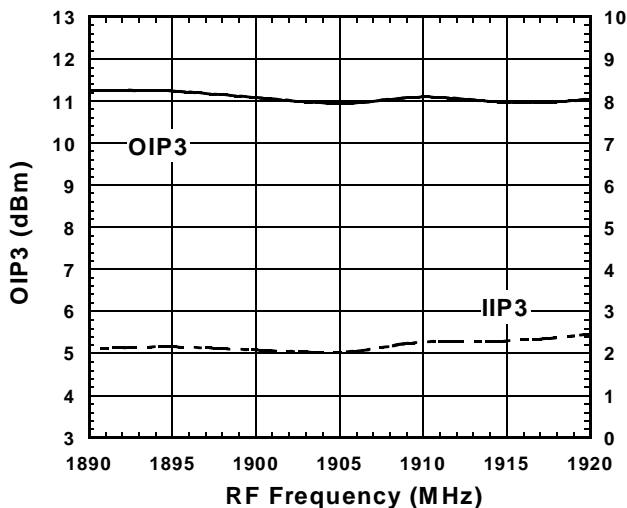
Condition  
 $f_{IF}=240\text{MHz}$   
 $f_{RF}=1890\sim 1920\text{MHz}, P_{RF}=-30\text{dBm}$   
 Lower LOCAL,  $P_{LO}=-15\text{dBm}$   
 $V_{LNA}=0\text{V}$   
 $V_{MIX}=V_{LO}=2.7\text{V}$

### Conversion Gain, Noise Figure vs. LO Power



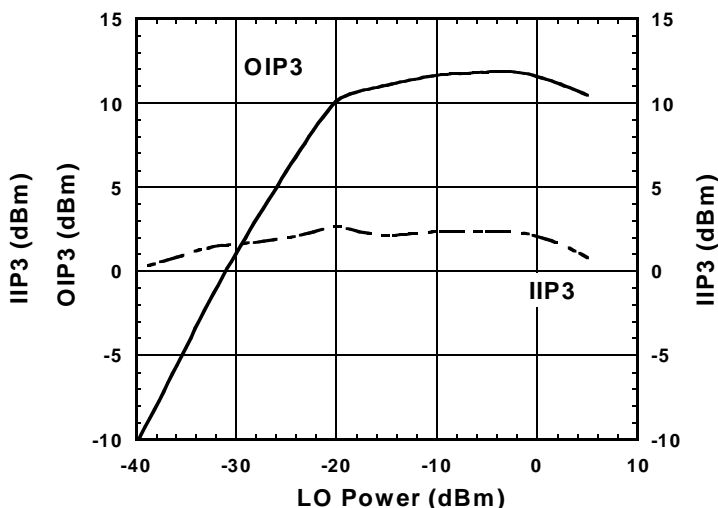
Condition  
 $f_{IF}=240\text{MHz}$   
 $f_{RF}=1900\text{MHz}, P_{RF}=-30\text{dBm}$   
 $f_{LO}=1660\text{MHz}$   
 $V_{LNA}=0\text{V}$   
 $V_{MIX}=V_{LO}=2.7\text{V}$

### OIP3, IIP3 vs. RF Frequency



Condition  
 $f_{IF}=240\text{MHz}$   
 $f_{RF}=1890\sim 1920\text{MHz}, P_{RF}=-30\text{dBm}$   
 $f_{RF\text{ OFFSET}}=100\text{kHz}$   
 Lower LOCAL,  $P_{LO}=-15\text{dBm}$   
 $V_{LNA}=0\text{V}$   
 $V_{MIX}=V_{LO}=2.7\text{V}$

### OIP3, IIP3 vs. LO Power



Condition  
 $f_{IF}=240\text{MHz}$   
 $f_{RF}=1900.0+1900.1\text{MHz}, P_{RF}=-30\text{dBm}$   
 $f_{LO}=1660\text{MHz}$   
 $V_{LNA}=0\text{V}$   
 $V_{MIX}=V_{LO}=2.7\text{V}$

The value of OIP3 and IIP3 shown in typical characteristics are calculated

$$OIP3 = \frac{3 \times P_{out} - IM3}{2}$$

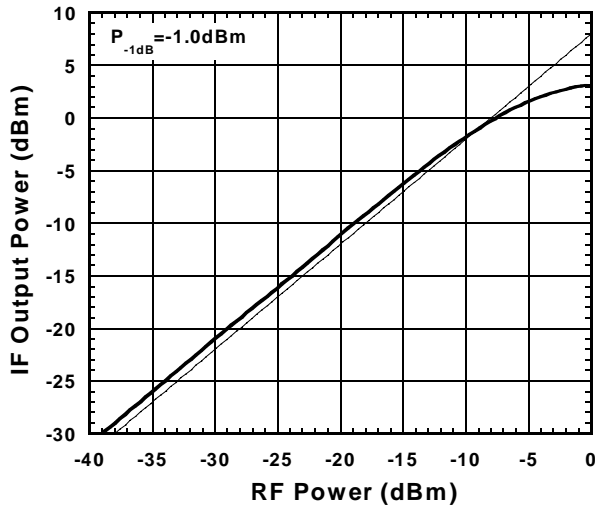
$$IIP3 = OIP3 - \text{Gain}$$

@  $P_{in} = -30\text{dBm}$



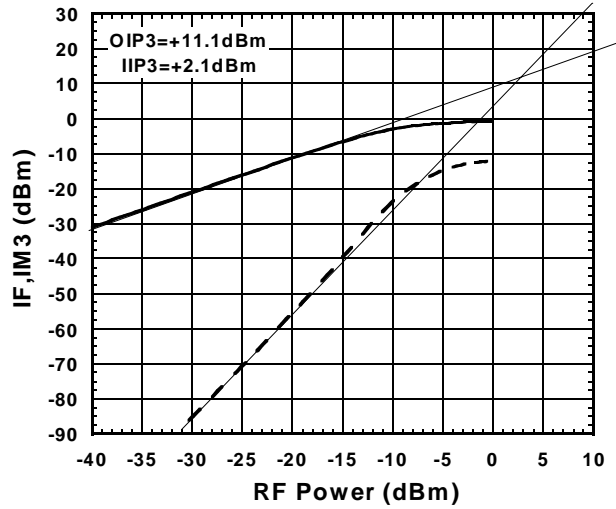
## ■ TYPICAL CHARACTERISTICS 2 (MIXER, $f=1.9\text{GHz}$ , $f_{LO}=1660\text{MHz}$ , with test circuit)

### IF Output Power vs. RF Power



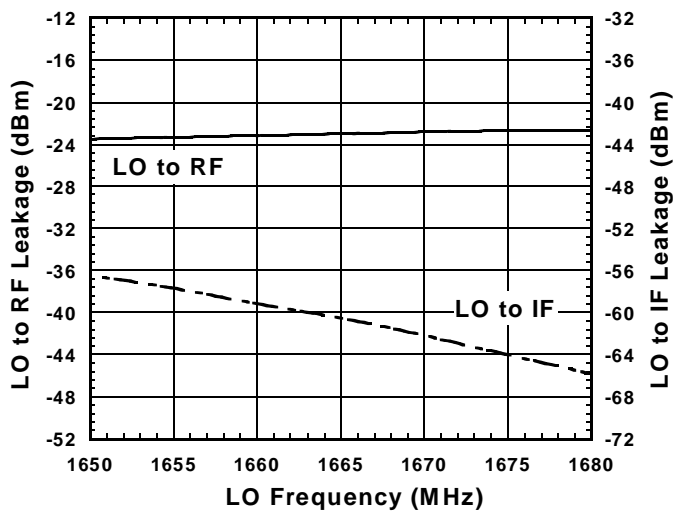
Condition  
 $f_{IF}=240\text{MHz}$   
 $f_{RF}=1900\text{MHz}$   
 $f_{LO}=1660\text{MHz}, P_{LO}=-15\text{dBm}$   
 $V_{LNA}=0\text{V}$   
 $V_{MIX}=V_{LO}=2.7\text{V}$

### IF, IM3 vs. RF Power



Condition  
 $f_{IF}=240\text{MHz}$   
 $f_{RF}=1900.0+1900.1\text{MHz}$   
 $f_{LO}=1660\text{MHz}, P_{LO}=-15\text{dBm}$   
 $V_{LNA}=0\text{V}$   
 $V_{MIX}=V_{LO}=2.7\text{V}$

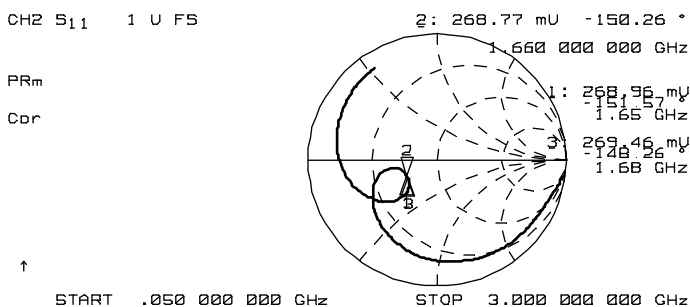
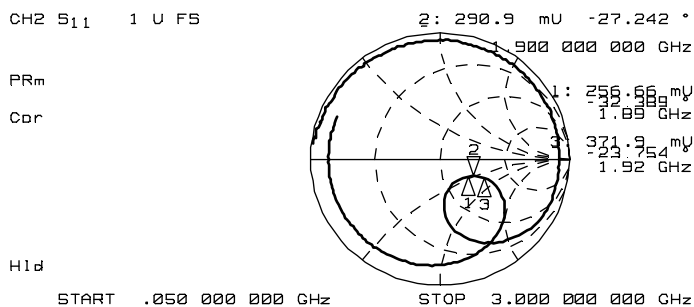
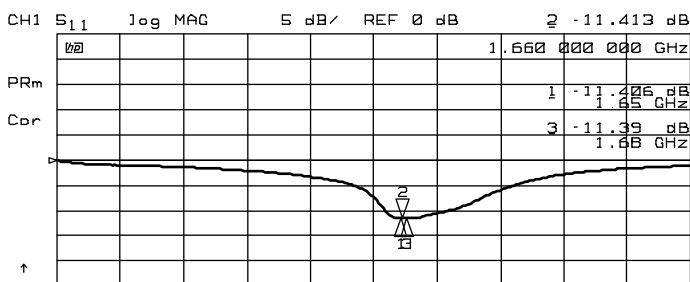
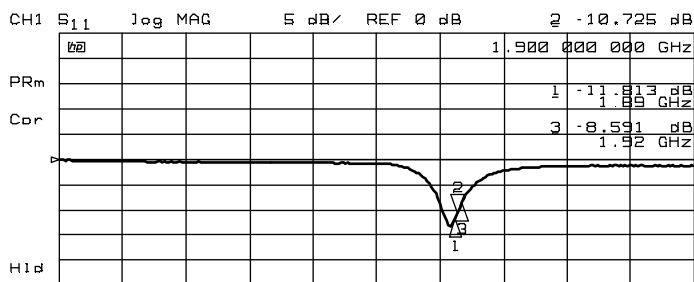
### LO Leakage vs. LO Frequency



Condition  
 $f_{LO}=1650\sim 1680\text{MHz}, P_{LO}=-15\text{dBm}$   
 $V_{LNA}=0\text{V}$   
 $V_{MIX}=V_{LO}=2.7\text{V}$

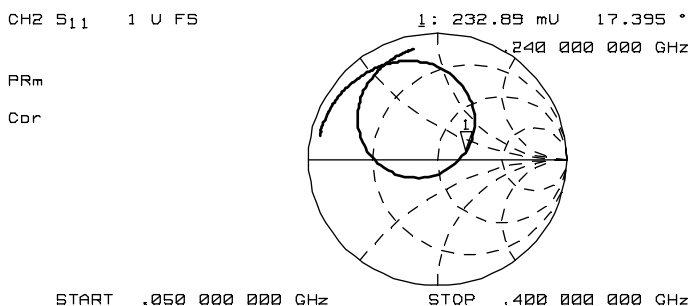
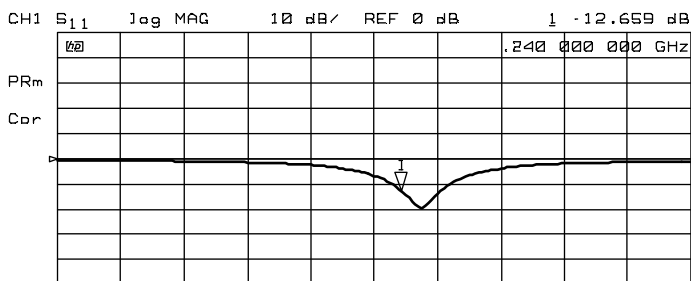
# NJG1714KC1

## ■ TYPICAL CHARACTERISTICS 2 (MIXER, $f=1.9\text{GHz}$ , $f_{LO}=1660\text{MHz}$ , with test circuit)



MIXER IN Impedance  
Condition  
LOCAL IN,IF OUT 50ohm  
 $V_{LNA}=0V$   
 $V_{MIX}=V_{LO}=2.7V$

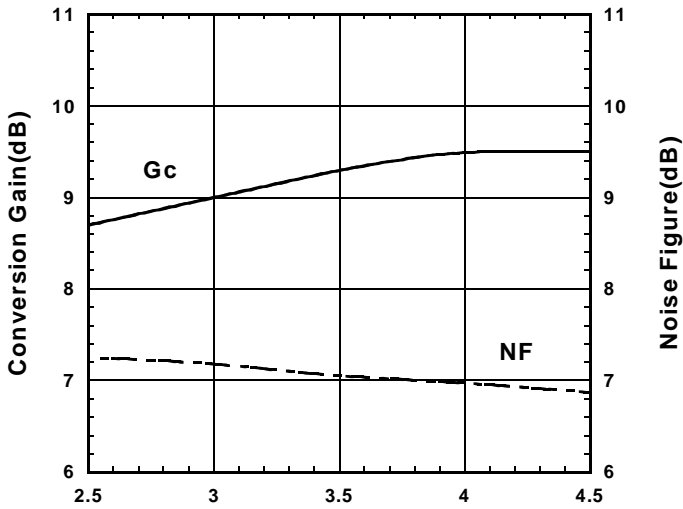
LOCAL IN Impedance  
Condition  
MIXER IN,IF OUT 50ohm  
 $V_{LNA}=0V$   
 $V_{MIX}=V_{LO}=2.7V$



IF OUT Impedance  
Condition  
MIXER IN,LOCAL IN 50ohm  
 $V_{LNA}=0V$   
 $V_{MIX}=V_{LO}=2.7V$

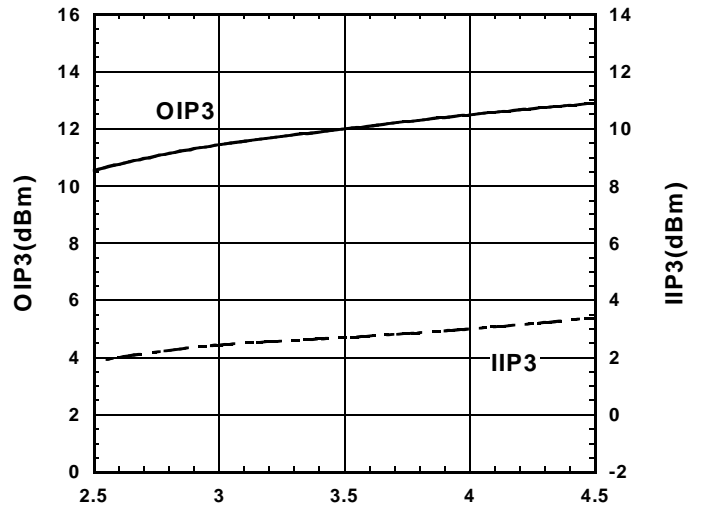
## ■ TYPICAL CHARACTERISTICS 2 (MIXER, $f=1.9\text{GHz}$ , $f_{LO}=1660\text{MHz}$ , with test circuit)

Conversion Gain, Noise Figure vs.  $V_{MIX}$ ,  $V_{LO}$



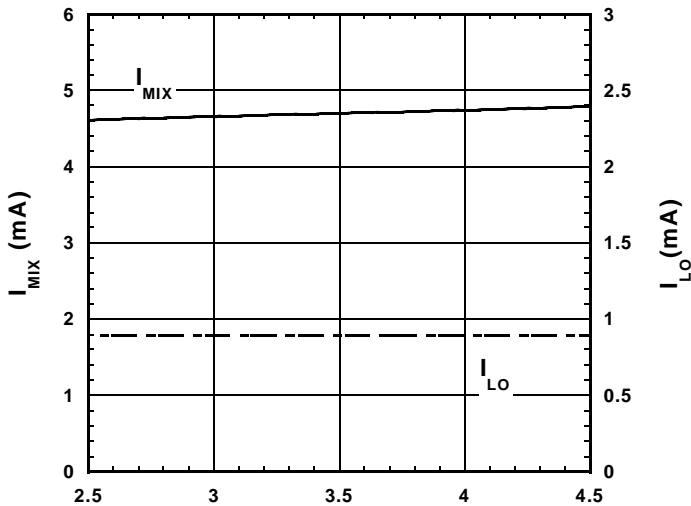
$V_{MIX}, V_{LO}$  (V)  
 Condition  
 $f_{IF}=240\text{MHz}$   
 $f_{RF}=1900\text{MHz}, P_{RF}=-30\text{dBm}$   
 Lower LOCAL,  $P_{LO}=-15\text{dBm}$   
 $V_{LNA}=0\text{V}$   
 $V_{MIX}=V_{LO}=2.5\sim 4.5\text{V}$

OIP3, IIP3 vs.  $V_{MIX}$ ,  $V_{LO}$



$V_{MIX}, V_{LO}$  (V)  
 Condition  
 $f_{IF}=240\text{MHz}$   
 $f_{RF}=1900\text{MHz}, P_{RF}=-30\text{dBm}$   
 Lower LOCAL,  $P_{LO}=-15\text{dBm}$   
 $V_{LNA}=0\text{V}$   
 $V_{MIX}=V_{LO}=2.5\sim 4.5\text{V}$

$I_{MIX}, I_{LO}$  vs.  $V_{MIX}, V_{LO}$



$V_{MIX}, V_{LO}$  (V)  
 Condition  
 $f_{IF}=240\text{MHz}$   
 $f_{RF}=1900\text{MHz}, P_{RF}=-30\text{dBm}$   
 $f_{RF\ OFFSET}=100\text{kHz}$   
 Lower LOCAL,  $P_{LO}=-30\text{dBm}$   
 $V_{LNA}=0\text{V}$   
 $V_{MIX}=V_{LO}=2.5\sim 4.5\text{V}$

The value of OIP3 and IIP3 shown in typical characteristics are calculated

$$OIP3 = \frac{3 \times P_{out} - IM3}{2}$$

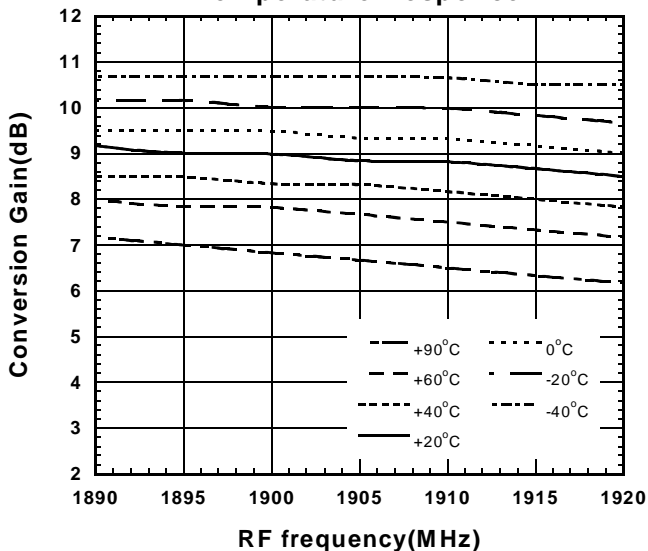
$$IIP3 = OIP3 - \text{Gain}$$

@ Pin = -30dBm

# NJG1714KC1

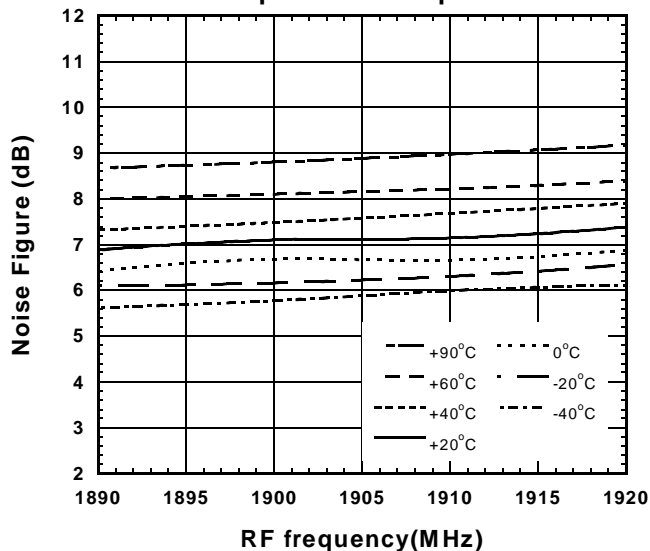
## ■ TYPICAL CHARACTERISTICS 2 (MIXER, $f=1.9\text{GHz}$ , $f_{LO}=1660\text{MHz}$ , with test circuit)

**Conversion Gain vs. RF frequency  
Temperature Response**



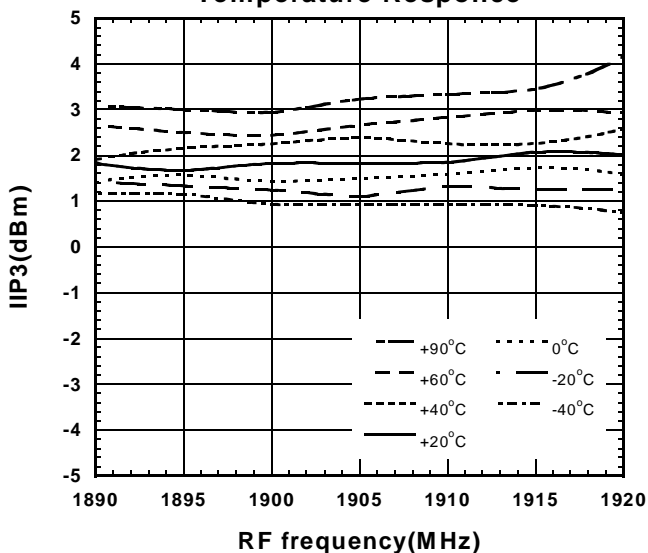
Condition  
 $f_{IF}=240\text{MHz}$   
 $f_{RF}=1890\sim 1920\text{MHz}, P_{RF}=-30\text{dBm}$   
 Lower LOCAL,  $P_{LO}=-15\text{dBm}$   
 $V_{LNA}=0\text{V}$   
 $V_{MIX}=V_{LO}=2.7\text{V}$

**Noise Figure vs. RF frequency  
Temperature Response**



Condition  
 $f_{IF}=240\text{MHz}$   
 $f_{RF}=1890\sim 1920\text{MHz}, P_{RF}=-30\text{dBm}$   
 Lower LOCAL,  $P_{LO}=-15\text{dBm}$   
 $V_{LNA}=0\text{V}$   
 $V_{MIX}=V_{LO}=2.7\text{V}$

**IIP3 vs. RF frequency  
Temperature Response**



Condition  
 $f_{IF}=240\text{MHz}$   
 $f_{RF}=1890\sim 1920\text{MHz}, P_{RF}=-30\text{dBm}$   
 $f_{RF\text{ OFFSET}}=100\text{kHz}$   
 Lower LOCAL,  $P_{LO}=-15\text{dBm}$   
 $V_{LNA}=0\text{V}$   
 $V_{MIX}=V_{LO}=2.7\text{V}$

The value of OIP3 and IIP3 shown in typical characteristics are calculated

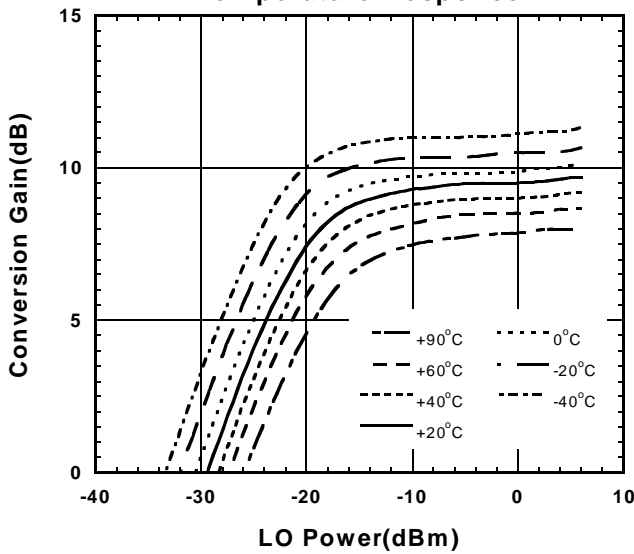
$$\text{OIP3} = \frac{3 \times \text{Pout} - \text{IM3}}{2}$$

$$\text{IIP3} = \text{OIP3} - \text{Gain}$$

@ Pin = -30dBm

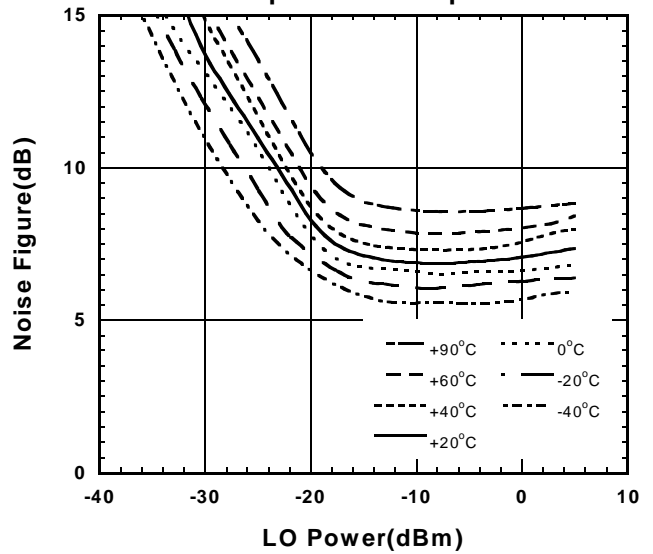
## ■ TYPICAL CHARACTERISTICS 2 (MIXER, $f=1.9\text{GHz}$ , $f_{LO}=1660\text{MHz}$ , with test circuit)

### Conversion Gain vs. LO Power Temperature Response



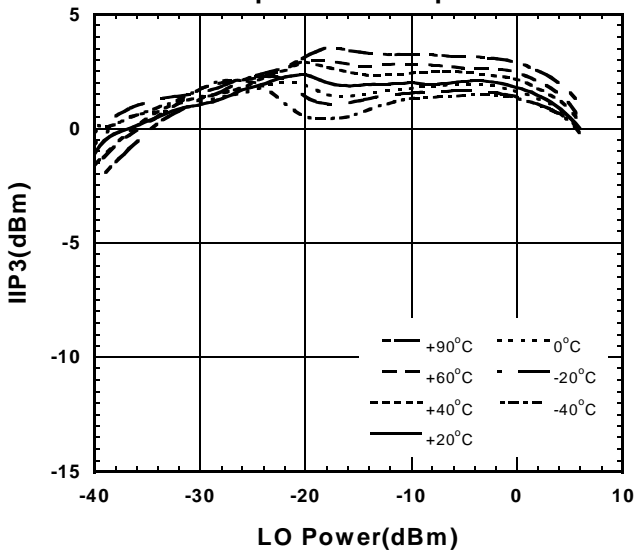
Condition  
 $f_{IF}=240\text{MHz}$   
 $f_{RF}=1900\text{MHz}$ ,  $P_{RF}=-30\text{dBm}$   
 $f_{LO}=1660\text{MHz}$   
 $V_{LNA}=0\text{V}$   
 $V_{MIX}=V_{LO}=2.7\text{V}$

### Noise Figure vs. LO Power Temperature Response



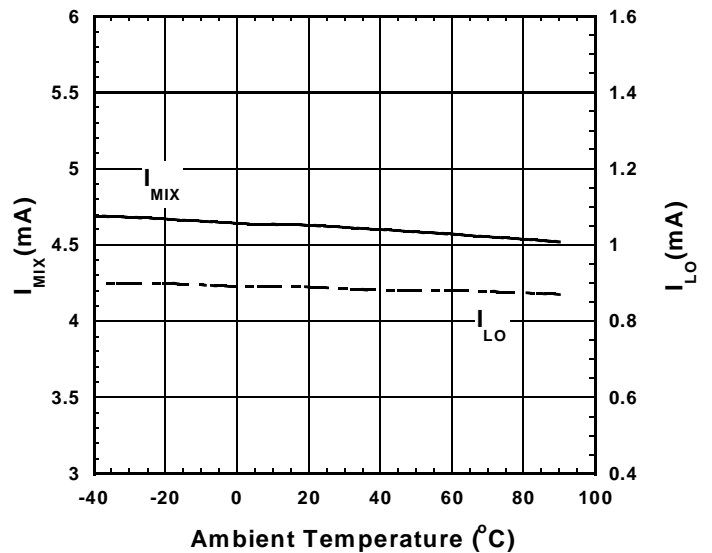
Condition  
 $f_{IF}=240\text{MHz}$   
 $f_{RF}=1900\text{MHz}$ ,  $P_{RF}=-30\text{dBm}$   
 $f_{LO}=1660\text{MHz}$   
 $V_{LNA}=0\text{V}$   
 $V_{MIX}=V_{LO}=2.7\text{V}$

### IIP3 vs. LO Power Temperature Response



Condition  
 $f_{IF}=240\text{MHz}$   
 $f_{RF}=1900+1900.1\text{MHz}$ ,  $P_{RF}=-30\text{dBm}$   
 $f_{LO}=1660\text{MHz}$   
 $V_{LNA}=0\text{V}$   
 $V_{MIX}=V_{LO}=2.7\text{V}$

### $I_{MIX}$ , $I_{LO}$ vs. Temperature



Condition  
 $V_{LNA}=0\text{V}$   
 $V_{MIX}=V_{LO}=2.7\text{V}$

The value of OIP3 and IIP3 shown in typical characteristics are calculated

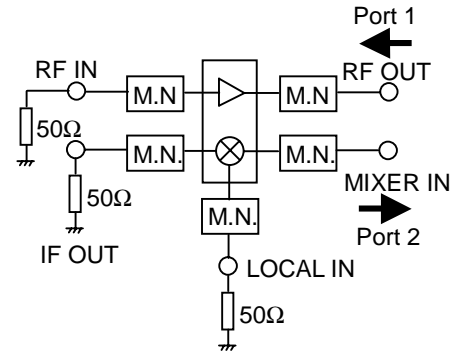
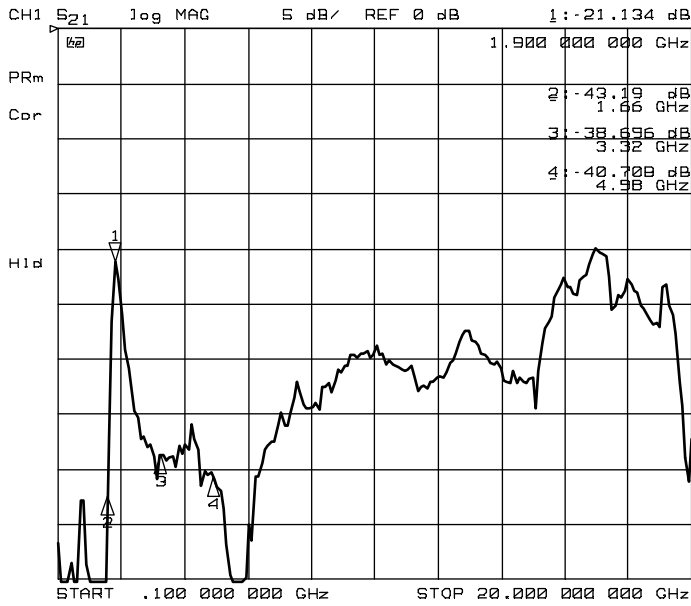
$$\text{OIP3} = \frac{3 \times P_{\text{out}} - \text{IM3}}{2}$$

IIP3 = OIP3 - Gain

@ Pin = -30 dBm

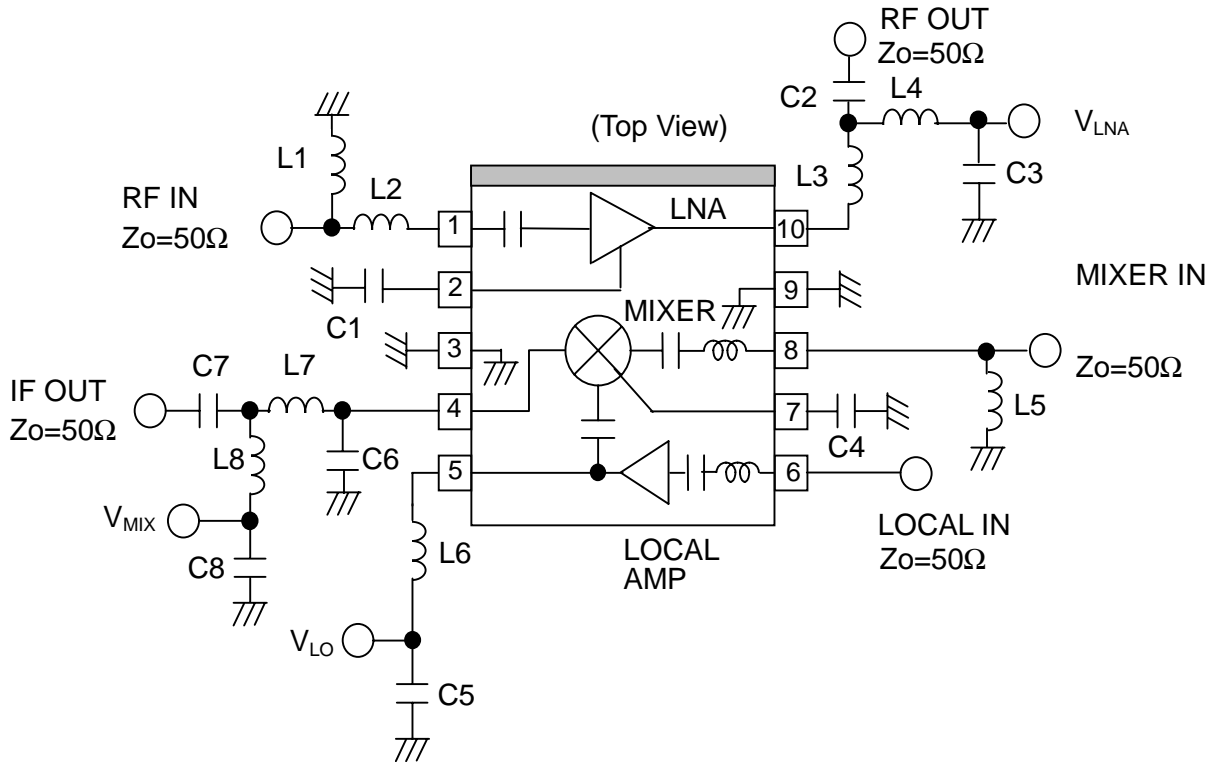
# NJG1714KC1

## ■ TYPICAL CHARACTERISTICS 3 (LNA+MIXER, $f_c=1.9\text{GHz}$ , $f_{LO}=1660\text{MHz}$ , with test circuit)



RF OUT → MIXER IN ISOLATION  
 Condition  
 RF IN, LOCAL IN, IF OUT 50ohm  
 $V_{LNA}=V_{MIX}=V_{LO}=2.7\text{V}$

## TEST CIRCUIT

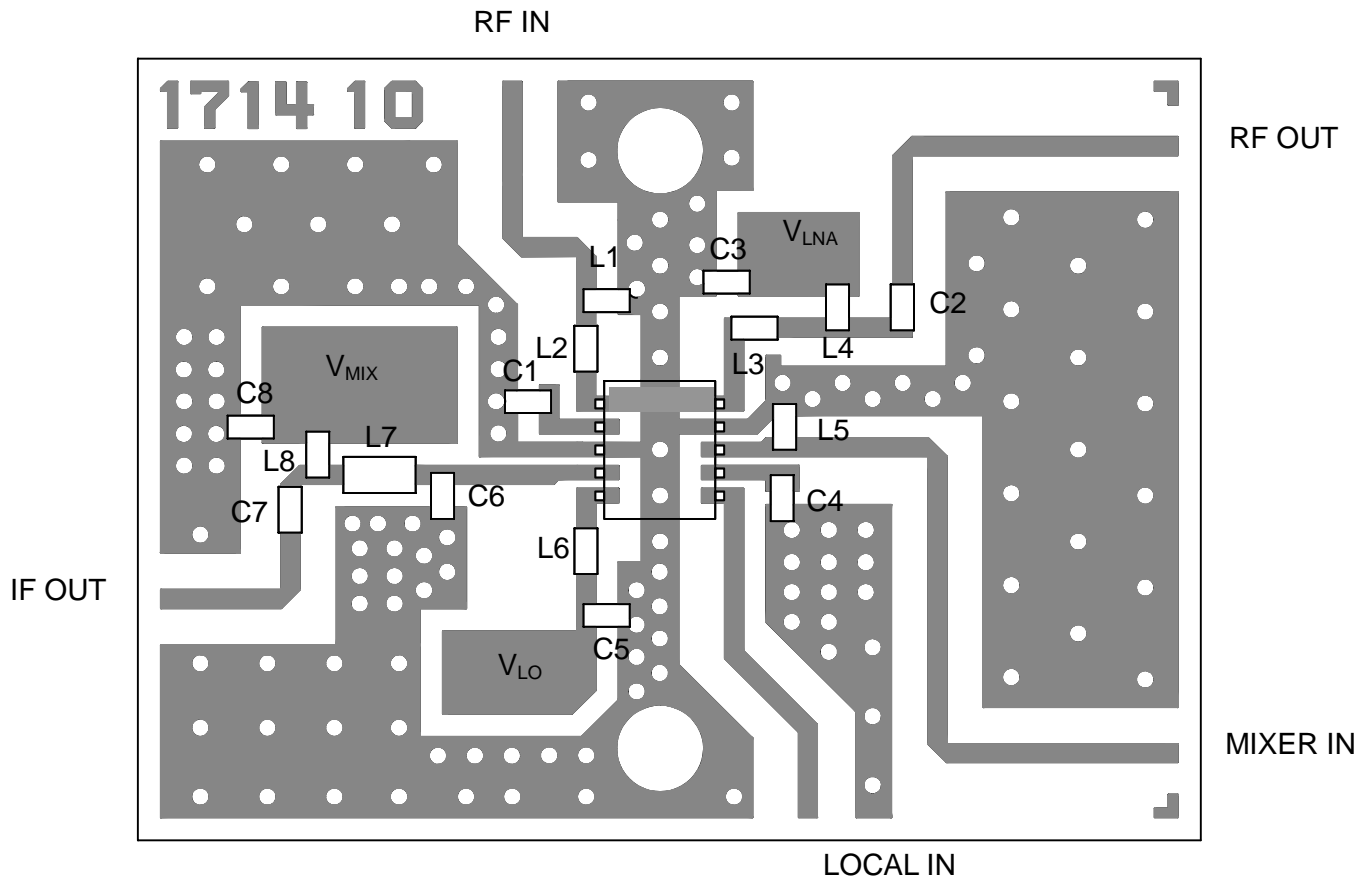


### PARTS LIST

PART ID	1.9GHz BAND	COMMENT
	Lower LOCAL f <sub>Lo</sub> =1660MHz P <sub>Lo</sub> =-15dBm f <sub>f</sub> =240MHz	
L1	6.8nH	TAIYO-YUDEN (HK1005)
L2	6.8nH	TAIYO-YUDEN (HK1005)
L3	4.7nH	TAIYO-YUDEN (HK1005)
L4	1.5nH	TAIYO-YUDEN (HK1005)
L5	1.8nH	TAIYO-YUDEN (HK1005)
L6	8.2nH	TAIYO-YUDEN (HK1005)
L7	39nH	TAIYO-YUDEN (HK1608)
L8	22nH	TAIYO-YUDEN (HK1005)
C1	30pF	MURATA (GRM36)
C2	12pF	MURATA (GRM36)
C3	1000pF	MURATA (GRM36)
C4	1000pF	MURATA (GRM36)
C5	0.01uF	MURATA (GRM36)
C6	6.0pF	MURATA (GRM36)
C7	1000pF	MURATA (GRM36)
C8	0.01uF	MURATA (GRM36)

# NJG1714KC1

## RECOMMENDED PCB DESIGN



PCB (FR-4) : t = 0.2 mm

MICRO STRIPLINE WIDTH = 0.4 mm ( $Z_0 = 50\text{ohm}$ )

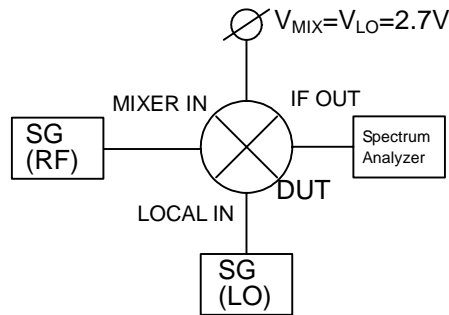
PCB SIZE = 23.0 x 17.0 mm

### Caution on using devices

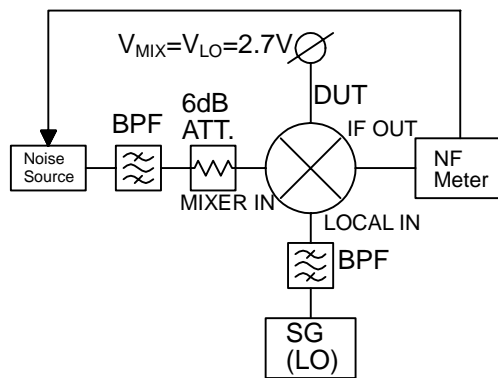
- [ 1 ] Please place L2 close to the LNA IN terminal (1st pin).
- [ 2 ] Please place C1 close to the LNACAP terminal (2nd pin).
- [ 3 ] Please place L5 close to the MIX IN terminal (8th pin).
- [ 4 ] Please place L6 close to the VLO terminal (5th pin).
- [ 5 ] Please place C5 close to L6.



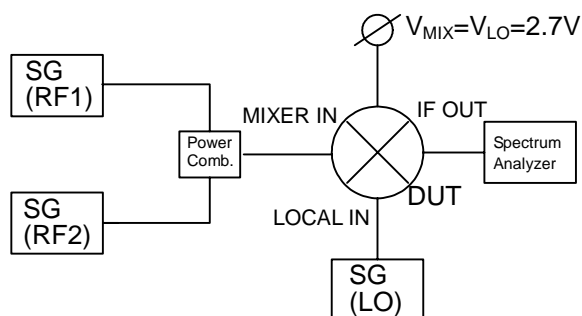
## MEASURING BLOCK DIAGRAM



Conversion Gain Measurement Block Diagram



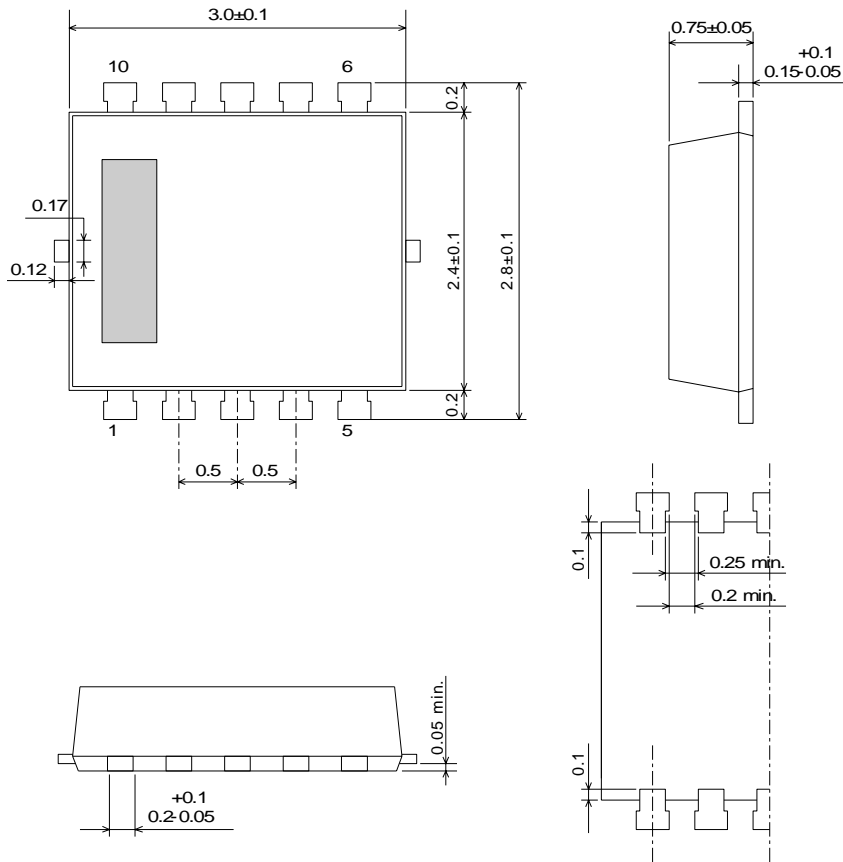
Noise Figure Measurement Block Diagram



IF,IM3 Measurement Block Diagram

# NJG1714KC1

## PACKAGE OUTLINE (FLP10-C1)



Lead material : Copper  
 Lead surface finish : Solder plating  
 Molding material : Epoxy resin  
 UNIT : mm  
 Weight : 15mg

### Cautions on using this product

This product contains Gallium-Arsenide (GaAs) which is a harmful material.

- Do NOT eat or put into mouth.
- Do NOT dispose in fire or break up this product.
- Do NOT chemically make gas or powder with this product.
- To waste this product, please obey the relating law of your country.

### [CAUTION]

The specifications on this databook are only given for information , without any guarantee as regards either mistakes or omissions. The application circuits in this databook are described only to show representative usages of the product and not intended for the guarantee or permission of any right including the industrial rights.

This product may be damaged with electric static discharge (ESD) or spike voltage. Please handle with care to avoid these damages.

# Mouser Electronics

Authorized Distributor

Click to View Pricing, Inventory, Delivery & Lifecycle Information:

[NJR:](#)

[NJG1714KC1-TE3](#)



Компания «ЭлектроПласт» предлагает заключение долгосрочных отношений при поставках импортных электронных компонентов на взаимовыгодных условиях!

Наши преимущества:

- Оперативные поставки широкого спектра электронных компонентов отечественного и импортного производства напрямую от производителей и с крупнейших мировых складов;
- Поставка более 17-ти миллионов наименований электронных компонентов;
- Поставка сложных, дефицитных, либо снятых с производства позиций;
- Оперативные сроки поставки под заказ (от 5 рабочих дней);
- Экспресс доставка в любую точку России;
- Техническая поддержка проекта, помощь в подборе аналогов, поставка прототипов;
- Система менеджмента качества сертифицирована по Международному стандарту ISO 9001;
- Лицензия ФСБ на осуществление работ с использованием сведений, составляющих государственную тайну;
- Поставка специализированных компонентов (Xilinx, Altera, Analog Devices, Intersil, Interpoint, Microsemi, Aeroflex, Peregrine, Syfer, Eurofarad, Texas Instrument, Miteq, Cobham, E2V, MA-COM, Hittite, Mini-Circuits, General Dynamics и др.);

Помимо этого, одним из направлений компании «ЭлектроПласт» является направление «Источники питания». Мы предлагаем Вам помощь Конструкторского отдела:

- Подбор оптимального решения, техническое обоснование при выборе компонента;
- Подбор аналогов;
- Консультации по применению компонента;
- Поставка образцов и прототипов;
- Техническая поддержка проекта;
- Защита от снятия компонента с производства.



#### Как с нами связаться

**Телефон:** 8 (812) 309 58 32 (многоканальный)

**Факс:** 8 (812) 320-02-42

**Электронная почта:** [org@eplast1.ru](mailto:org@eplast1.ru)

**Адрес:** 198099, г. Санкт-Петербург, ул. Калинина, дом 2, корпус 4, литера А.