

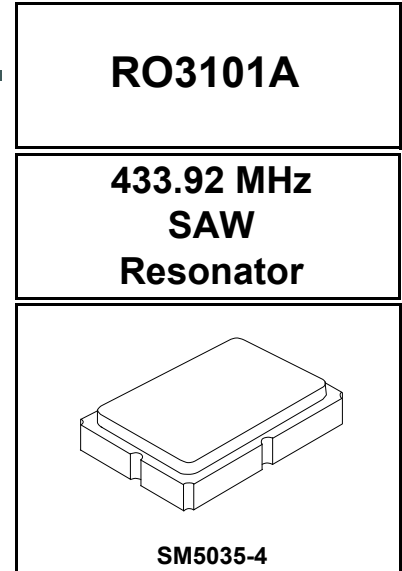
- **Designed for 433.92 MHz Transmitters**
- **Very Low Series Resistance**
- **Quartz Stability**
- **Surface-mount Ceramic Case**
- **Complies with Directive 2002/95/EC (RoHS)**



The RO3101A is a one-port surface-acoustic-wave (SAW) resonator packaged in a surface-mount ceramic case. It provides reliable, fundamental-mode quartz frequency stabilization of fixed-frequency transmitters operating at 433.92 MHz. The RO3101A is designed specifically for remote control and wireless security transmitters operating in Europe under ETSI EN 300 220-2.

Absolute Maximum Ratings

Rating	Value	Units
CW RF Power Dissipation (See: Typical Test Circuit)	+0	dBm
DC Voltage Between Terminals (Observe ESD Precautions)	±30	VDC
Case Temperature	-40 to +85	°C
Soldering Temperature (10 seconds / 5 cycles maximum)	260	°C



Electrical Characteristics

Characteristic		Sym	Notes	Minimum	Typical	Maximum	Units				
Center Frequency, +25 °C	Absolute Frequency	f_C	2,3,4,5	433.845		433.995	MHz				
	Tolerance from 433.920 MHz	Δf_C							±75	kHz	
Insertion Loss		IL	2,5,6		1.5	2.2	dB				
Quality Factor	Unloaded Q	Q_U	5,6,7		9000						
	50 Ω Loaded Q	Q_L							1458		
Temperature Stability	Turnover Temperature	T_O	6,7,8	10	25	40	°C				
	Turnover Frequency	f_O							f_C		
	Frequency Temperature Coefficient	FTC							0.032		ppm/°C ²
Frequency Aging	Absolute Value during the First Year	$ f_A $	1		≤10		ppm/yr				
DC Insulation Resistance between Any Two Terminals			5	1.0			MΩ				
RF Equivalent RLC Model	Motional Resistance	R_M	5, 7, 9		19.4		Ω				
	Motional Inductance	L_M							63.8		μH
	Motional Capacitance	C_M							2.11		fF
	Shunt Static Capacitance	C_O						5, 6, 9	2.4		pF
Test Fixture Shunt Inductance		L_{TEST}	2, 7		55.1		nH				
Lid Symbolization (in addition to Lot and/or Date Codes)	655 // YYWWSS										

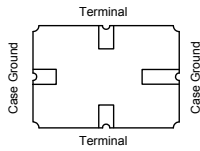
CAUTION: Electrostatic Sensitive Device. Observe precautions for handling.

NOTES:

1. Frequency aging is the change in f_C with time and is specified at +65 °C or less. Aging may exceed the specification for prolonged temperatures above +65 °C. Typically, aging is greatest the first year after manufacture, decreasing in subsequent years.
2. The center frequency, f_C , is measured at the minimum insertion loss point, IL_{MIN} , with the resonator in the 50 Ω test system (VSWR ≤ 1.2:1). The shunt inductance, L_{TEST} , is tuned for parallel resonance with C_O at f_C . Typically, $f_{OSCILLATOR}$ or $f_{TRANSMITTER}$ is approximately equal to the resonator f_C .
3. One or more of the following United States patents apply: 4,454,488 and 4,616,197.
4. Typically, equipment utilizing this device requires emissions testing and government approval, which is the responsibility of the equipment manufacturer.
5. Unless noted otherwise, case temperature $T_C = +25 \pm 2$ °C.
6. The design, manufacturing process, and specifications of this device are subject to change without notice.
7. Derived mathematically from one or more of the following directly measured parameters: f_C , IL, 3 dB bandwidth, f_C versus T_C , and C_O .
8. Turnover temperature, T_O , is the temperature of maximum (or turnover) frequency, f_O . The nominal frequency at any case temperature, T_C , may be calculated from: $f = f_O [1 - FTC (T_O - T_C)^2]$. Typically *oscillator* T_O is approximately equal to the specified *resonator* T_O .
9. This equivalent RLC model approximates resonator performance near the resonant frequency and is provided for reference only. The capacitance C_O is the static (nonmotional) capacitance between the two terminals measured at low frequency (10 MHz) with a capacitance meter. The measurement includes parasitic capacitance with "NC" pads unconnected. Case parasitic capacitance is approximately 0.05 pF. Transducer parallel capacitance can be calculated as: $C_P \approx C_O - 0.05$ pF.
10. Tape and Reel standard per ANSI / EIA 481.

Electrical Connections

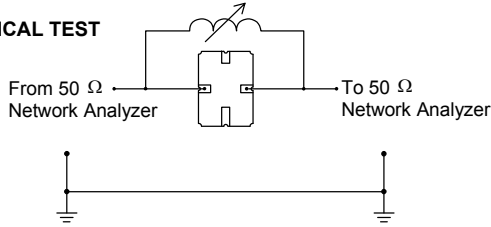
The SAW resonator is bidirectional and may be installed with either orientation. The two terminals are interchangeable and unnumbered. The callout NC indicates no internal connection. The NC pads assist with mechanical positioning and stability. External grounding of the NC pads is recommended to help reduce parasitic capacitance in the circuit.



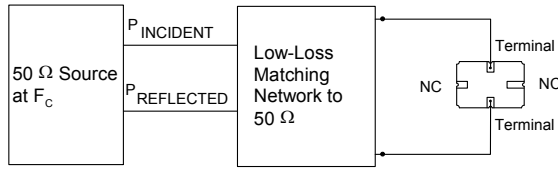
Typical Test Circuit

The test circuit inductor, L_{TEST} , is tuned to resonate with the static capacitance, C_O , at F_C .

ELECTRICAL TEST



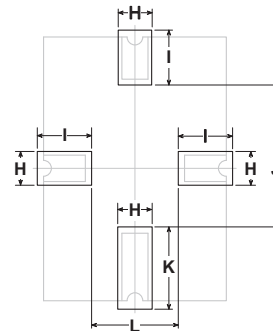
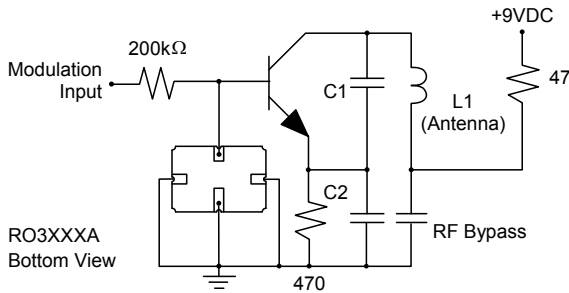
POWER TEST



$$CW \text{ RF Power Dissipation} = P_{INCIDENT} - P_{REFLECTED}$$

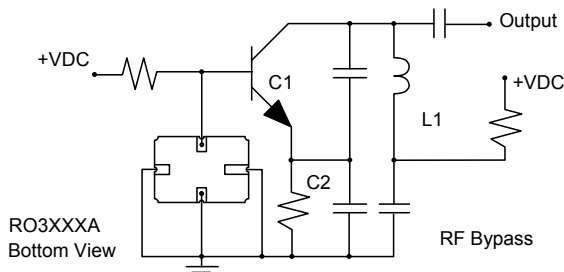
Typical Application Circuits

Typical Low-Power Transmitter Application

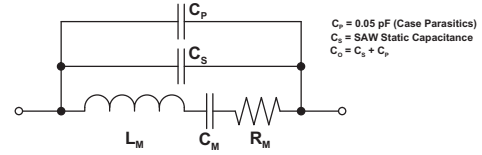


PCB Land Pattern Top View

Typical Local Oscillator Applications



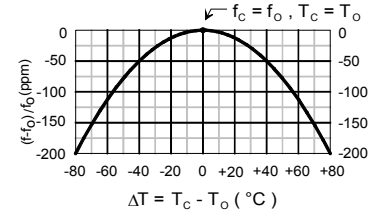
Equivalent RLC Model



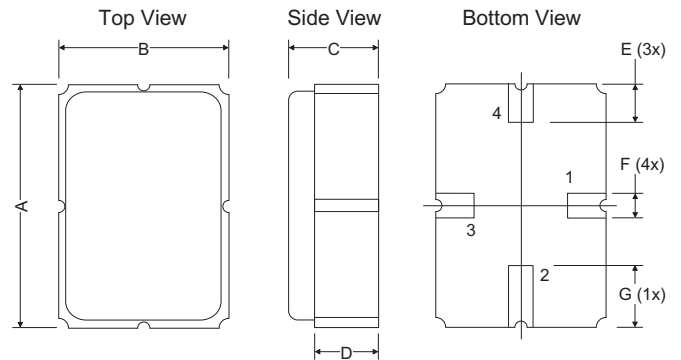
$C_P = 0.05 \text{ pF}$ (Case Parasitics)
 $C_S = \text{SAW Static Capacitance}$
 $C_O = C_S + C_P$

Temperature Characteristics

The curve shown on the right accounts for resonator contribution only and does not include LC component temperature contributions.



Case



Dimensions	Millimeters			Inches		
	Min	Nom	Max	Min	Nom	Max
A	4.87	5.00	5.13	0.191	0.196	0.201
B	3.37	3.50	3.63	0.132	0.137	0.142
C	1.45	1.53	1.60	0.057	0.060	0.062
D	1.35	1.43	1.50	0.040	0.057	0.059
E	0.67	0.80	0.93	0.026	0.031	0.036
F	0.37	0.50	0.63	0.014	0.019	0.024
G	1.07	1.20	1.33	0.042	0.047	0.052
H	-	1.04	-	-	0.041	-
I	-	1.46	-	-	0.058	-
J	-	3.01	-	-	0.119	-
K	-	1.44	-	-	0.057	-
L	-	1.92	-	-	0.076	-



Компания «ЭлектроПласт» предлагает заключение долгосрочных отношений при поставках импортных электронных компонентов на взаимовыгодных условиях!

Наши преимущества:

- Оперативные поставки широкого спектра электронных компонентов отечественного и импортного производства напрямую от производителей и с крупнейших мировых складов;
- Поставка более 17-ти миллионов наименований электронных компонентов;
- Поставка сложных, дефицитных, либо снятых с производства позиций;
- Оперативные сроки поставки под заказ (от 5 рабочих дней);
- Экспресс доставка в любую точку России;
- Техническая поддержка проекта, помощь в подборе аналогов, поставка прототипов;
- Система менеджмента качества сертифицирована по Международному стандарту ISO 9001;
- Лицензия ФСБ на осуществление работ с использованием сведений, составляющих государственную тайну;
- Поставка специализированных компонентов (Xilinx, Altera, Analog Devices, Intersil, Interpoint, Microsemi, Aeroflex, Peregrine, Syfer, Eurofarad, Texas Instrument, Miteq, Cobham, E2V, MA-COM, Hittite, Mini-Circuits, General Dynamics и др.);

Помимо этого, одним из направлений компании «ЭлектроПласт» является направление «Источники питания». Мы предлагаем Вам помощь Конструкторского отдела:

- Подбор оптимального решения, техническое обоснование при выборе компонента;
- Подбор аналогов;
- Консультации по применению компонента;
- Поставка образцов и прототипов;
- Техническая поддержка проекта;
- Защита от снятия компонента с производства.



Как с нами связаться

Телефон: 8 (812) 309 58 32 (многоканальный)

Факс: 8 (812) 320-02-42

Электронная почта: org@eplast1.ru

Адрес: 198099, г. Санкт-Петербург, ул. Калинина, дом 2, корпус 4, литера А.