

Automotive IPD Series

1ch/2ch Low Side Switch IC

BV1LC105FJ-C / BM2LC105FJ-C

Features

- AEC-Q100 Qualified (Note1)
- Built-in overcurrent limiting circuit(OCP)
- Built-in thermal shutdown circuit(TSD)
- Built-in active clamp circuit
- Built-in Open load detection circuit(OLD) at output off
- Direct control enabled from CMOS logic IC, etc.
- Built-in diagnostic(ST) output function
- On-state resistance $R_{DS(ON)}=105m\Omega$ (Typ)
(when $V_{IN}=5V$, $I_{out}=0.8A$, $T_j=25^\circ C$)
- Monolithic power management IC with the control block (CMOS) and power MOS FET mounted on a single chip
- Surface mount package SOP-J8
(Note 1) Grade1

Product Summary

On-state resistance ($T_j=25^\circ C$, Typ)	105m Ω
Overcurrent limit ($T_j=25^\circ C$, Typ)	6A
Output clamp voltage (Min)	42V
Active clamp energy ($T_j=25^\circ C$)	150mJ

Package
SOP-J8

W(Typ) x D(Typ) x H(Max)
4.90mm x 6.00mm x 1.65mm

General Description

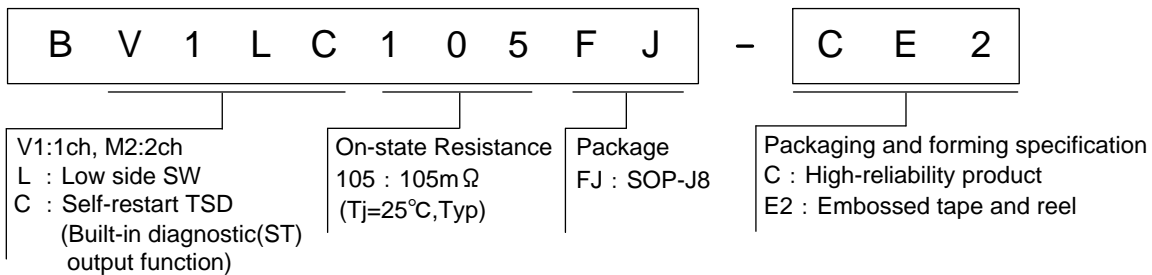
BV1LC105FJ-C is 1ch, BM2LC105FJ-C is 2ch automotive low side switch IC, which has built-in overcurrent limiting circuit, thermal shutdown circuit, overvoltage (active clamp) protection circuit and open load detection circuit.



Applications

Low side switch for driving resistive, Inductive load, Capacitive load

Ordering Information



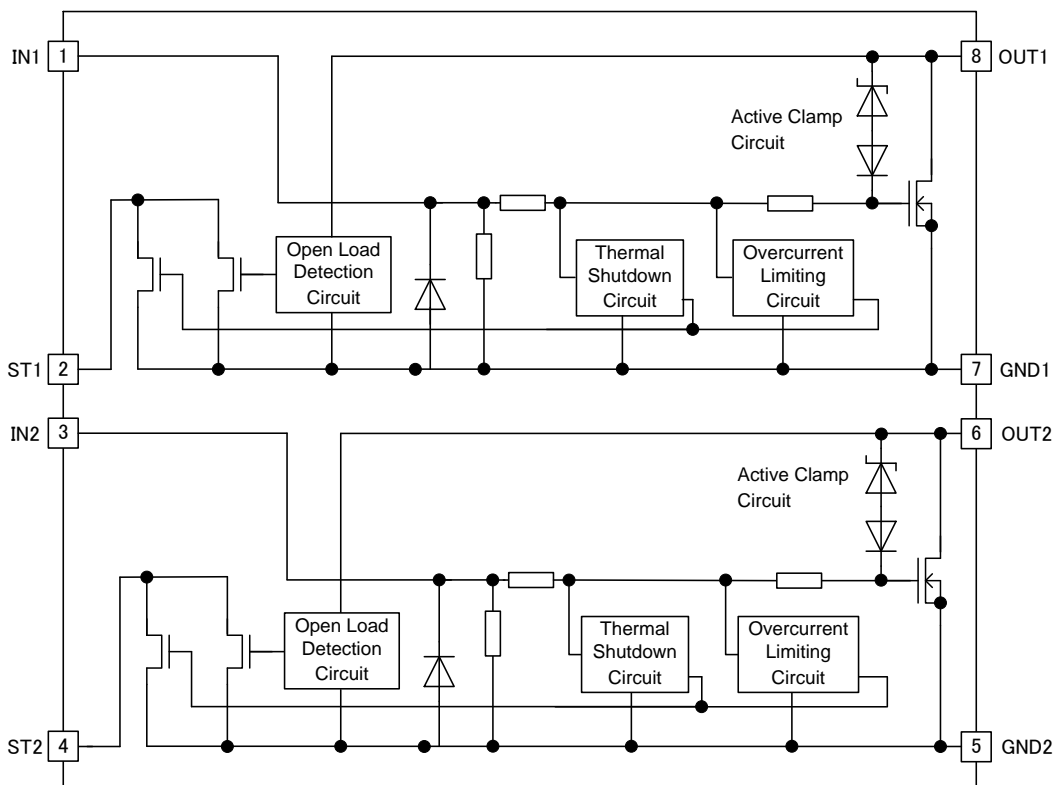
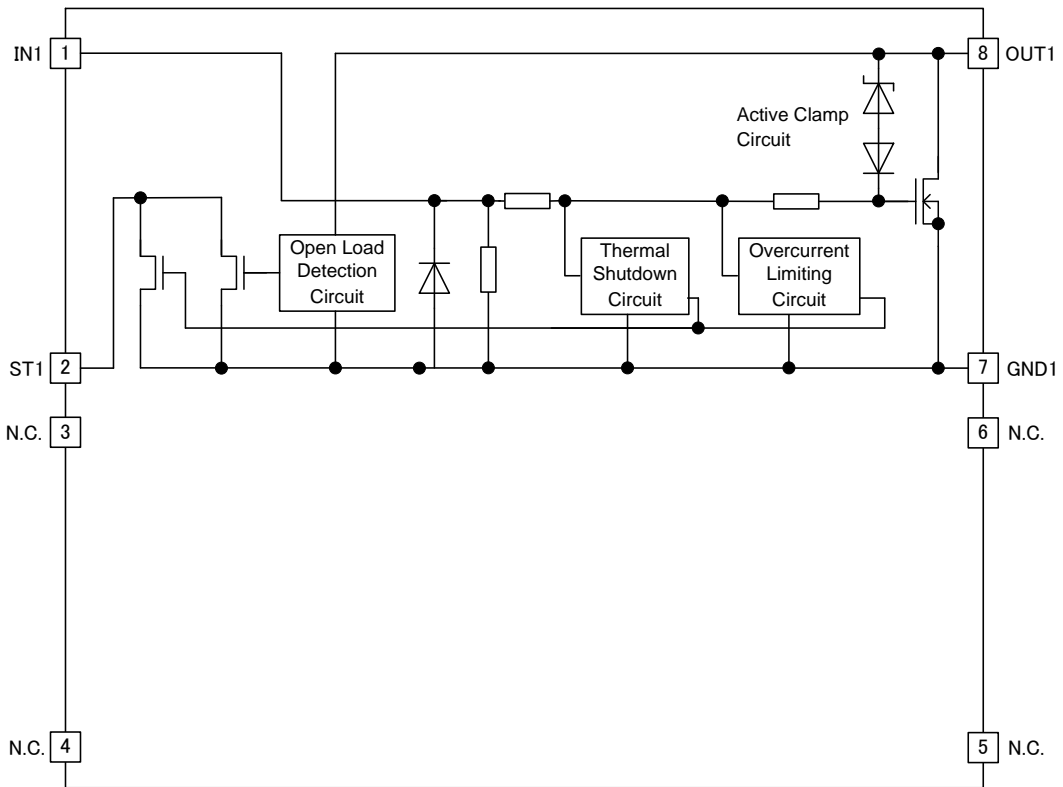
Line up

On-state resistance (Typ)	Ordering Information (Typ)	Total channel number	Package	Ordering Information
105m Ω	6A	1	SOP-J8	BV1LC105FJ-CE2
		2		BM2LC105FJ-CE2

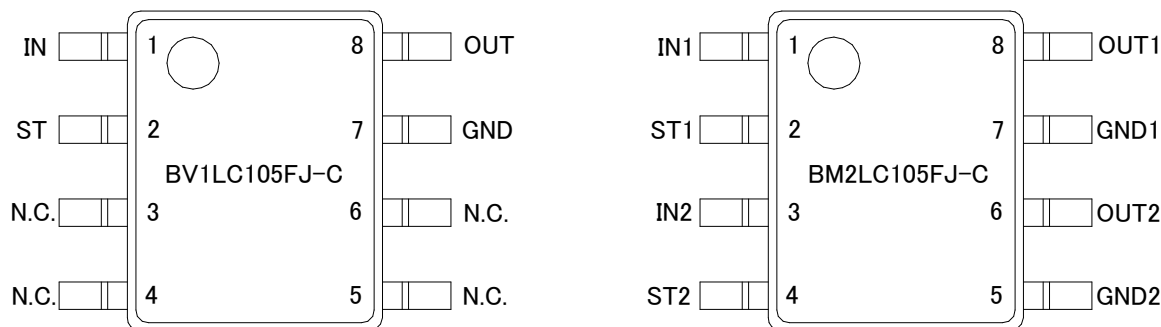
○Product structure: Silicon monolithic integrated circuit

○This product is not designed to protect it from radiation.

Block Diagrams



Pin Configurations



Pin Descriptions

■ BV1LC105FJ-C

Pin No.	Symbol	Function
1	IN	Input pin. Input pin is used to internally connect a pull-down resistor.
2	ST	Self-diagnostic output pin
3	N.C.	N.C pin ^(Note 1)
4	N.C.	N.C pin ^(Note 1)
5	N.C.	N.C pin ^(Note 1)
6	N.C.	N.C pin ^(Note 1)
7	GND	GND pin
8	OUT	Output pin

(Note 1) N.C.Pin is recommended to short with GND. N.C.Pin can be open because it isn't connect it inside of IC.

■ BM2LC105FJ-C

Pin No.	Symbol	Function
1	IN1	Input pin 1. Input pin is used to internally connect a pull-down resistor.
2	ST1	Self-diagnostic output pin 1
3	IN2	Input pin 2. Input pin is used to internally connect a pull-down resistor.
4	ST2	Self-diagnostic output pin 2
5	GND2	GND pin 2
6	OUT2	Output pin 2
7	GND1	GND pin 1
8	OUT1	Output pin 1

Definition

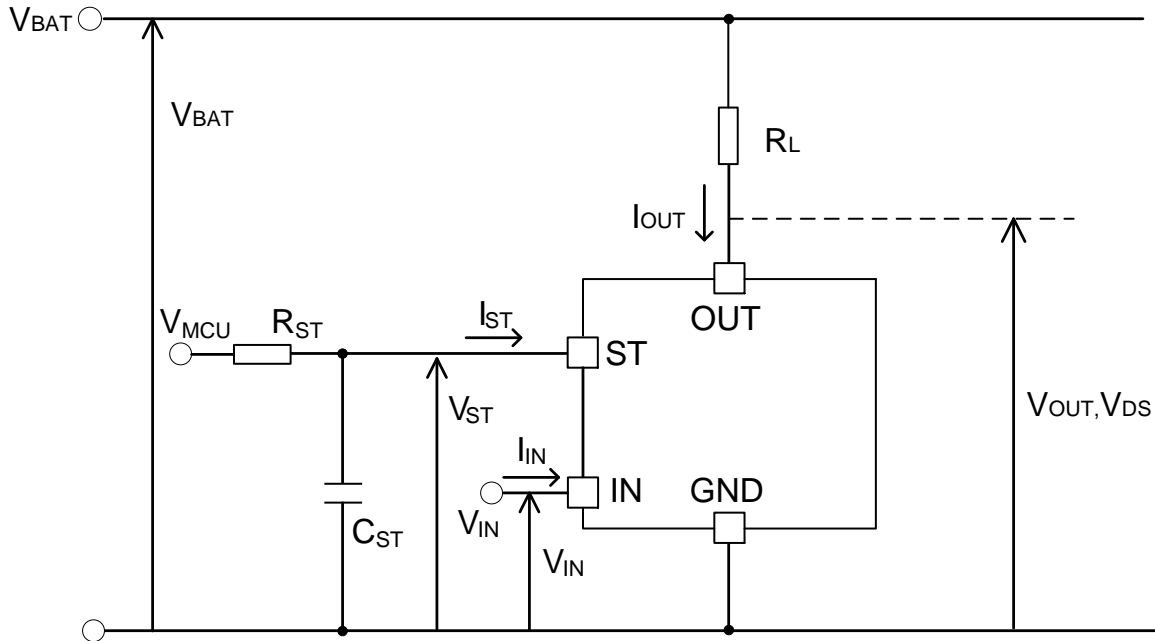


Figure 1. Definition

Absolute Maximum Ratings (T_j = 25°C)

Parameter	Symbol	Ratings	Unit
Drain-Source voltage in output block	V _{DS}	-0.3 to +42 (Note 1)	V
Input voltage	V _{IN}	-0.3 to +7.0	V
Output current (DC)	I _{OUT(OCF)}	3.0(Internally limited) (Note 2)	A
Diagnostic output voltage	V _{ST}	-0.3 to +7.0	V
Diagnostic output current	I _{ST}	10	mA
Active clamp energy (Single pulse) T _{j(start)} = 25°C (Note 3)	E _{AS(25°C)}	150	mJ
Active clamp energy (Single pulse) T _{j(start)} = 150°C (Note 3) (Note 4)	E _{AS(150°C)}	50	
Operating temperature range	T _j	-40 to +150	°C
Storage temperature range	T _{stg}	-55 to +150	°C
Maximum junction temperature	T _{jmax}	150	°C

(Note 1) Please refer to P.21 "Operation Notes", when is used at less than -0.3V.

(Note 2) Internally limited by the overcurrent limiting circuit.

(Note 3) Maximum Active clamp energy, using single non-repetitive pulse of I_{AR} = 1.9A, V_{BAT} = 16V .

$$E_{AS} = \frac{1}{2} I_{AR}^2 \cdot \left(1 - \frac{V_{BAT}}{V_{BAT} - V_{OUT(CL)}} \right)$$

(Note 4) Not 100% tested.

Thermal Characteristics (Note 1)

Parameter	Symbol	Ratings	Unit	Conditions
SOP-J8(1ch ON)				
Thermal Resistance between channel and ambient temperature	θ_{JA}	167.9	°C / W	1s (Note 2)
		105.8	°C / W	2s (Note 3)
		85.6	°C / W	2s2p (Note 4)

Parameter	Symbol	Ratings	Unit	Conditions
SOP-J8(All ch ON)				
Thermal Resistance between channel and ambient temperature	θ_{JA}	141.5	°C / W	1s (Note 2)
		84.1	°C / W	2s (Note 3)
		67.1	°C / W	2s2p (Note 4)

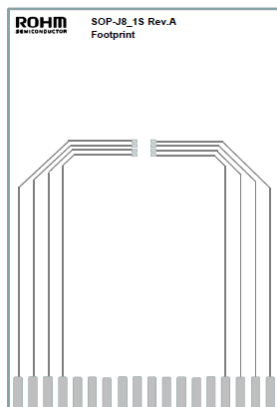
(Note 1) The thermal impedance is based on JESD51 - 2A (Still - Air) standard . It is used the chip of BM2LC105FJ-C

(Note 2) JESD51 - 3 compliance FR4 114.3 mm x 76.2 mm x 1.57 mm 1 layer (1s)
 (top layer copper : Rohm recommend land pattern + measurement wiring, copper thickness 2oz)

(Note 3) JESD51 -5 compliance FR4 114.3 mm x 76.2 mm x 1.60 mm 2 layer (2s)
 (top layer copper : Rohm recommend land pattern + measurement wiring, bottom layer copper area : 74.2 mm x 74.2 mm,
 Copper thickness (top and bottom layers) 2 oz)

(Note 4) JESD51 -5 / -7 compliance FR4 114.3 mm x 76.2 mm x 1.60 mm 4 layer (2s2p)
 (top layer copper : Rohm recommend land pattern + measurement wiring / 2 layer, 3 layer, bottom layer copper area: 74.2 mm x 74.2 mm,
 Copper thickness (top and bottom layers / inner layer) 2 oz / 1oz)

■ PCB layout 1 layer (1s)



Footprint Only

Figure 2. PCB layout 1 layer (1s)

Dimension	Value
Board finish thickness	1.57 mm ± 10%
Board dimension	76.2 mm x 114.3 mm
Board material	FR4
Copper thickness (Top layer)	0.070mm (Cu:2oz)

■ PCB layout 2layers (2s)

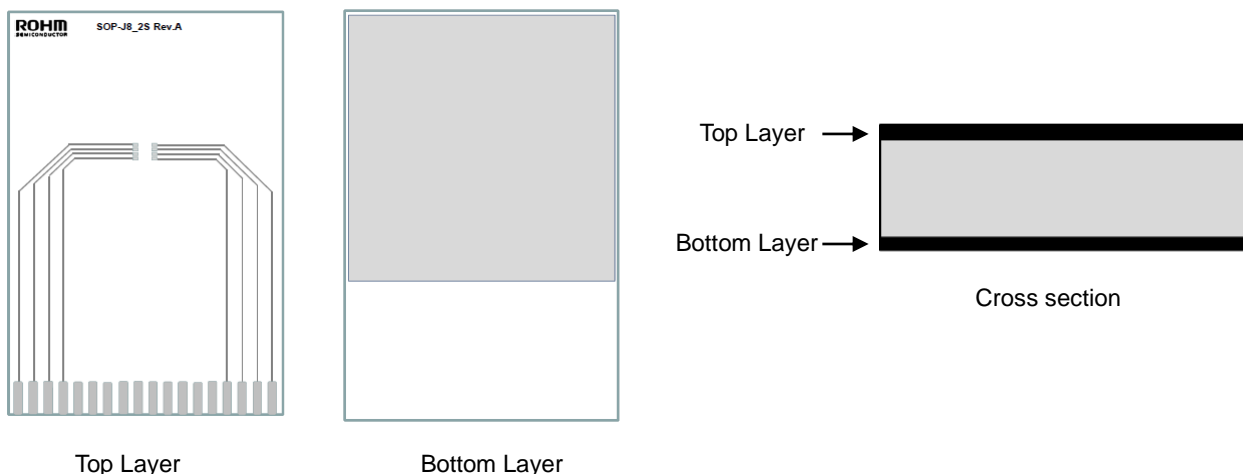


Figure 3. PCB layout 2layer (2s)

Dimension	Value
Board finish thickness	1.60 mm ± 10%
Board dimension	76.2 mm x 114.3 mm
Board material	FR4
Copper thickness (Top/Bottom layers)	0.070mm (Cu + Plating)

■ PCB layout 4layers (2s2p)

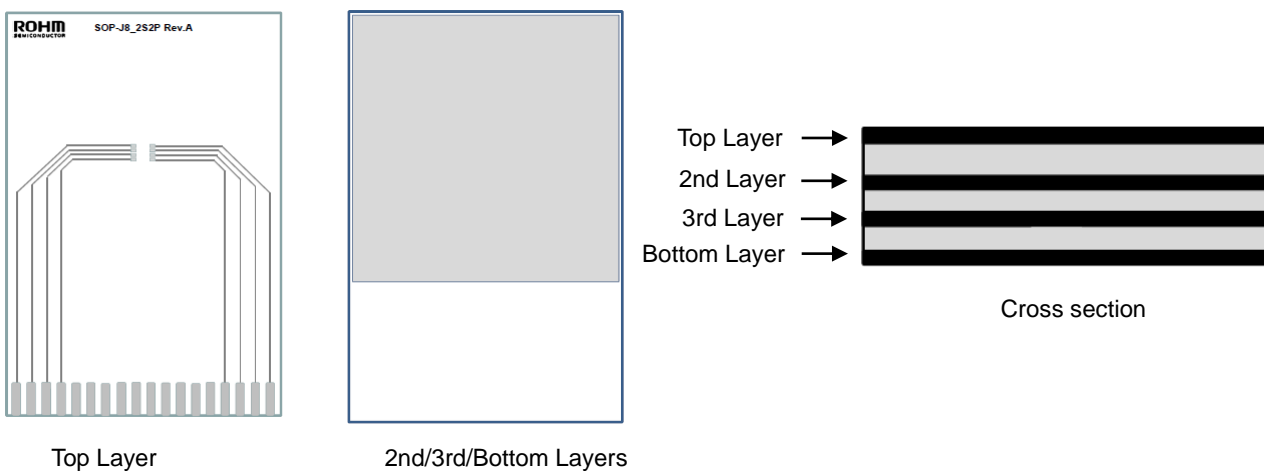


Figure 4. PCB layout 4layer (2s2p)

Dimension	Value
Board finish thickness	1.60 mm ± 10%
Board dimension	76.2 mm x 114.3 mm
Board material	FR4
Copper thickness (Top/Bottom layers)	0.070mm (Cu + Plating)
Copper thickness (Inner layers)	0.035mm

■ Transient Thermal Resistance (Single Pulse) 1ch ON

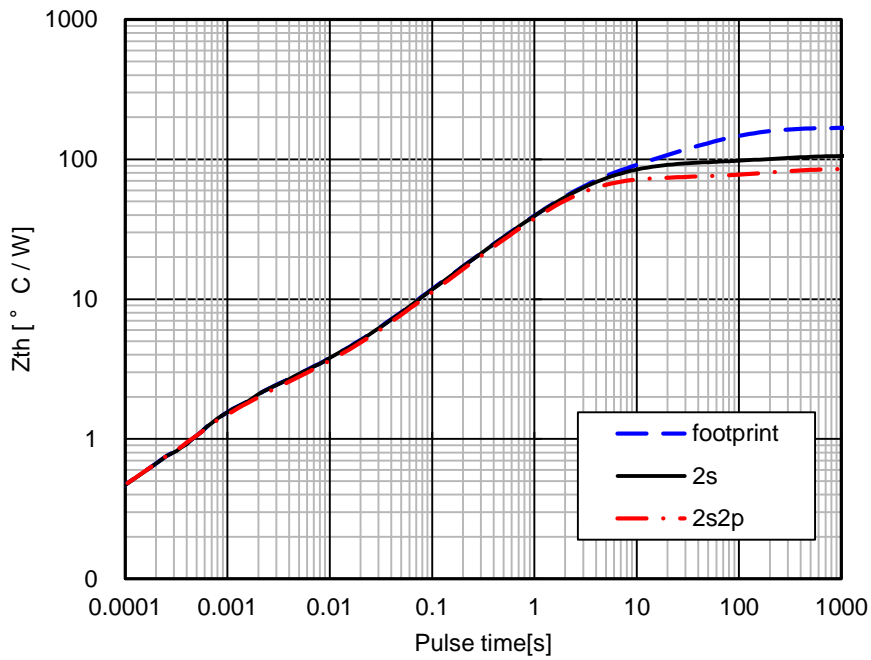


Figure 5. Transient Thermal Resistance

■ Transient Thermal Resistance (Single Pulse) All ch ON

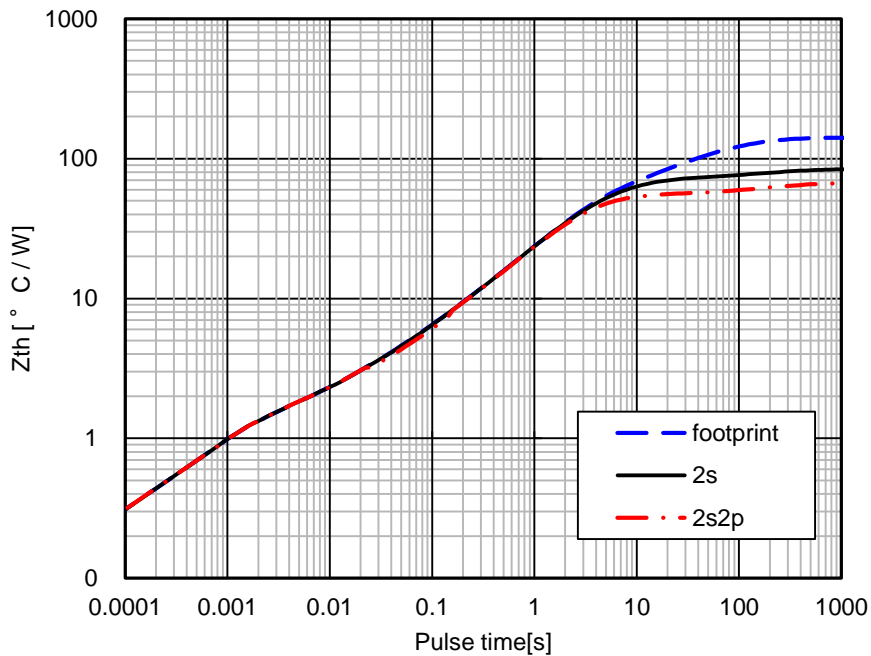


Figure 6. Transient Thermal Resistance

Electrical Characteristics1 (Unless otherwise specified, $-40^{\circ}\text{C} \leq T_j \leq +150^{\circ}\text{C}$ and $V_{\text{IN}}=3.0\text{V}$ to 5.5V)

Parameter	Symbol	Limit			Unit	Conditions
		Min	Typ	Max		
Output Clamp Voltage	$V_{\text{OUT(CL)}}$	42	48	54	V	$V_{\text{IN}}=0\text{V}, I_{\text{OUT}}=1\text{mA}$
On-state Resistance1 (at 25 °C)	$R_{\text{DS(ON)1}}$	-	105	130	m Ω	$V_{\text{IN}}=5\text{V}, I_{\text{OUT}}=0.8\text{A}, T_j=25^{\circ}\text{C}$
On-state Resistance1 (at 150 °C)	$R_{\text{DS(ON)1}}$	-	200	250	m Ω	$V_{\text{IN}}=5\text{V}, I_{\text{OUT}}=0.8\text{A}, T_j=150^{\circ}\text{C}$
On-state Resistance2 (at 25 °C)	$R_{\text{DS(ON)2}}$	-	135	175	m Ω	$V_{\text{IN}}=3\text{V}, I_{\text{OUT}}=0.8\text{A}, T_j=25^{\circ}\text{C}$
On-state Resistance2 (at 150 °C)	$R_{\text{DS(ON)2}}$	-	245	315	m Ω	$V_{\text{IN}}=3\text{V}, I_{\text{OUT}}=0.8\text{A}, T_j=150^{\circ}\text{C}$
Leak Current (at 25 °C)	$I_{\text{OUT(L)}}$	40	60	80	μA	$V_{\text{IN}}=0\text{V}, V_{\text{OUT}}=18\text{V}, T_j=25^{\circ}\text{C}$
Leak Current (at 150 °C)	$I_{\text{OUT(L)}}$	50	85	200	μA	$V_{\text{IN}}=0\text{V}, V_{\text{OUT}}=18\text{V}, T_j=150^{\circ}\text{C}$
Turn-ON TIME1	t_{ON1}	-	-	80	μs	$V_{\text{IN}}=0\text{V}$ to 5V , $R_L=15\Omega$, $V_{\text{BAT}}=12\text{V}$, $T_j=25^{\circ}\text{C}$
Turn-OFF TIME1	t_{OFF1}	-	-	80	μs	$V_{\text{IN}}=5\text{V}$ to 0V , $R_L=15\Omega$, $V_{\text{BAT}}=12\text{V}$, $T_j=25^{\circ}\text{C}$
Turn-ON TIME2	t_{ON2}	-	-	80	μs	$V_{\text{IN}}=\text{OPEN}$ to 5V , $R_L=15\Omega$, $V_{\text{BAT}}=12\text{V}$, $T_j=25^{\circ}\text{C}$
Turn-OFF TIME2	t_{OFF2}	-	-	100	μs	$V_{\text{IN}}=5\text{V}$ to OPEN , $R_L=15\Omega$, $V_{\text{BAT}}=12\text{V}$, $T_j=25^{\circ}\text{C}$
Slew rate on1	SR_{ON1}	-	0.7	1.2	V/ μs	$V_{\text{IN}}=0\text{V}$ to 5V , $R_L=15\Omega$, $V_{\text{BAT}}=12\text{V}$, $T_j=25^{\circ}\text{C}$
Slew rate off1	SR_{OFF1}	-	1.0	1.5	V/ μs	$V_{\text{IN}}=5\text{V}$ to 0V , $R_L=15\Omega$, $V_{\text{BAT}}=12\text{V}$, $T_j=25^{\circ}\text{C}$
Slew rate on2	SR_{ON2}	-	0.7	1.2	V/ μs	$V_{\text{IN}}=\text{OPEN}$ to 5V , $R_L=15\Omega$, $V_{\text{BAT}}=12\text{V}$, $T_j=25^{\circ}\text{C}$
Slew rate off2	SR_{OFF2}	-	1.0	1.5	V/ μs	$V_{\text{IN}}=5\text{V}$ to OPEN , $R_L=15\Omega$, $V_{\text{BAT}}=12\text{V}$, $T_j=25^{\circ}\text{C}$
Input Threshold Voltage	$V_{\text{IN(TH)}}$	1.5	-	2.7	V	$I_{\text{OUT}}=1\text{mA}$
High-level Input Current1 (in normal operation)	$I_{\text{IN(H)1}}$	-	125	250	μA	$V_{\text{IN}}=5\text{V}$
High-level Input Current2 (in abnormal operation) ^(Note1)	$I_{\text{IN(H)2}}$	-	-	500	μA	$V_{\text{IN}}=5\text{V}$
Low-level Input Current	$I_{\text{IN(L)}}$	-10	0	10	μA	$V_{\text{IN}}=0\text{V}$

(Note1) When Thermal Shutdown circuit or Overcurrent Limiting circuit is ON.

Electrical Characteristics2 (Unless otherwise specified, $-40^{\circ}\text{C} \leq T_j \leq +150^{\circ}\text{C}$ and $V_{\text{IN}}=3.0\text{V}$ to 5.5V)

Parameter	Symbol	Limit			Unit	Conditions
		Min	Typ	Max		
Overcurrent Detection Current	I_{OCP}	3	6	9	A	$V_{\text{IN}}=5\text{V}$, $V_{\text{BAT}}=12\text{V}$, $T_j=25^{\circ}\text{C}$
Open Load Detection Voltage	V_{OPEN}	1.5	-	4.5	V	$V_{\text{IN}}=0\text{V}$
ST Output On Voltage1	$V_{\text{ST(ON1)}}$	-	0.2	0.5	V	$V_{\text{IN}}=5\text{V}$, $I_{\text{ST}}=1\text{mA}$
ST Output On Voltage2	$V_{\text{ST(ON2)}}$	-	0.2	0.5	V	$V_{\text{IN}}=0\text{V}$, $V_{\text{OUT}}=4.5\text{V}$, $I_{\text{ST}}=0.5\text{mA}$
ST Output Leak Current1	$I_{\text{ST(L1)}}$	-	-	20	μA	$V_{\text{IN}}=5\text{V}$, $V_{\text{ST}}=5\text{V}$
ST Output Leak Current2	$I_{\text{ST(L2)}}$	-	-	20	μA	$V_{\text{IN}}=0\text{V}$, $V_{\text{OUT}}=1.5\text{V}$, $V_{\text{ST}}=5\text{V}$
ST Output Delay Time Detect	T_{STDET}	-	3	30	μs	$V_{\text{IN}}=0\text{V}$, $V_{\text{OUT}}=5\text{V}$ to 1V , $V_{\text{MCU}}=5\text{V}$, $R_{\text{ST}}=10\text{k}\Omega$, $C_{\text{ST}}=10\text{pF}$
ST Output Delay Time Release	T_{STREL}	-	3	30	μs	$V_{\text{IN}}=0\text{V}$, $V_{\text{OUT}}=1\text{V}$ to 5V , $V_{\text{MCU}}=5\text{V}$, $R_{\text{ST}}=10\text{k}\Omega$, $C_{\text{ST}}=10\text{pF}$
TSD Detection Temperature (Note 2)	$T_{\text{j d}}$	150	175	-	$^{\circ}\text{C}$	$V_{\text{IN}}=5\text{V}$
TSD Release Temperature (Note 2)	$T_{\text{j r}}$	135	-	-	$^{\circ}\text{C}$	$V_{\text{IN}}=5\text{V}$
TSD Hysteresis (Note 2)	$T_{\text{j}}\Delta_{\text{HYS}}$	-	15	-	$^{\circ}\text{C}$	$V_{\text{IN}}=5\text{V}$

(Note 2) Not 100% tested.

Typical Performance Curves (Unless otherwise specified, $T_j=25^\circ\text{C}, V_{IN}=5.0\text{V}$)

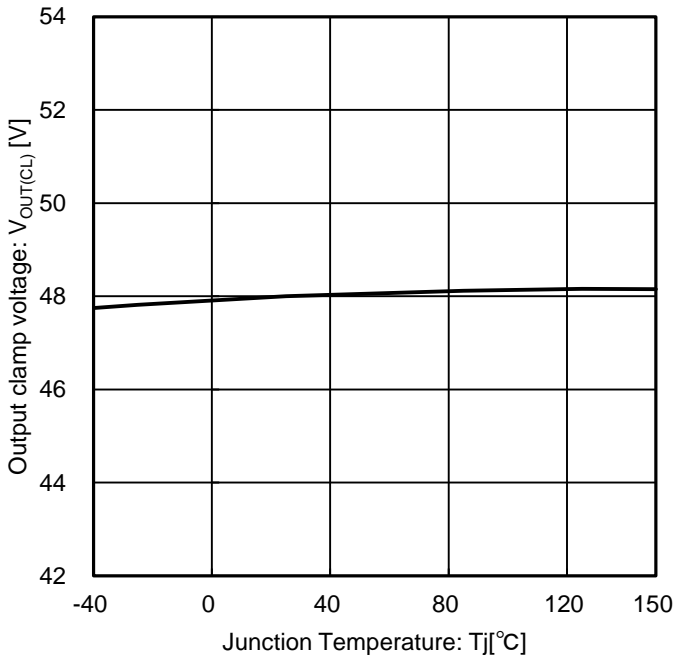


Figure 7. Output clamp voltage vs. Junction Temperature

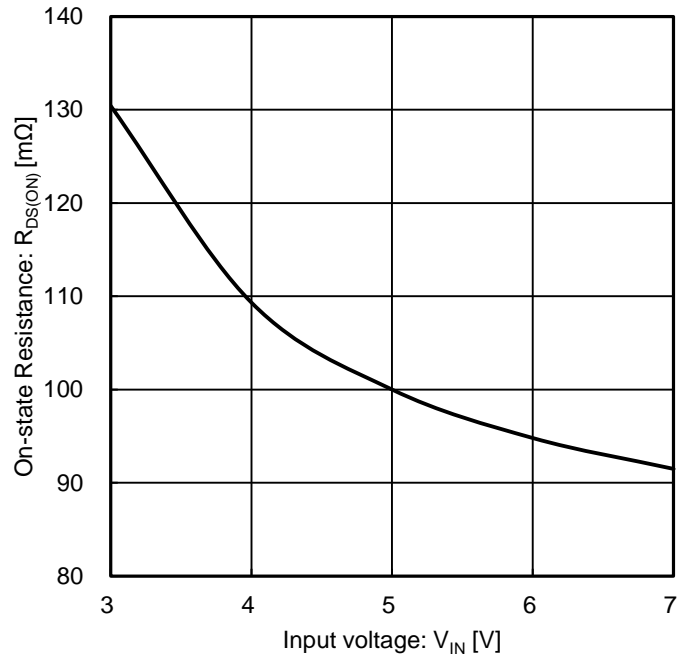


Figure 8. On-state Resistance vs. Input voltage

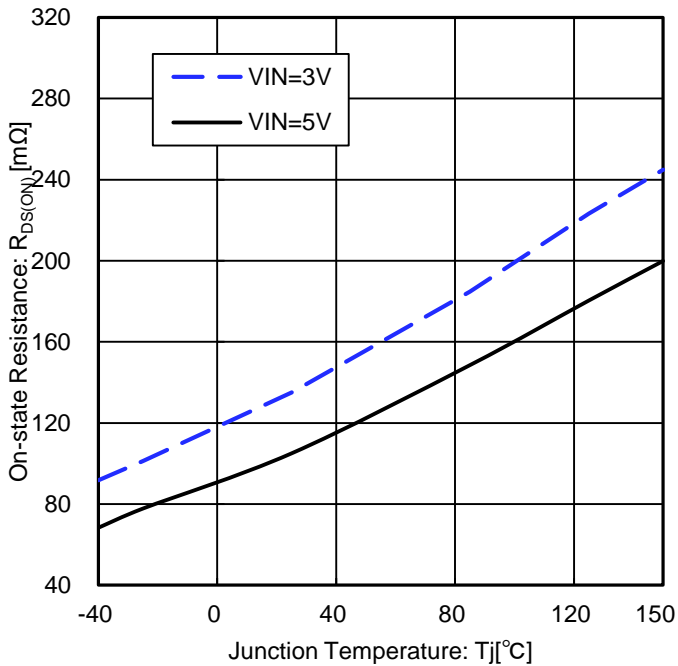


Figure 9. On-state Resistance vs. Junction Temperature

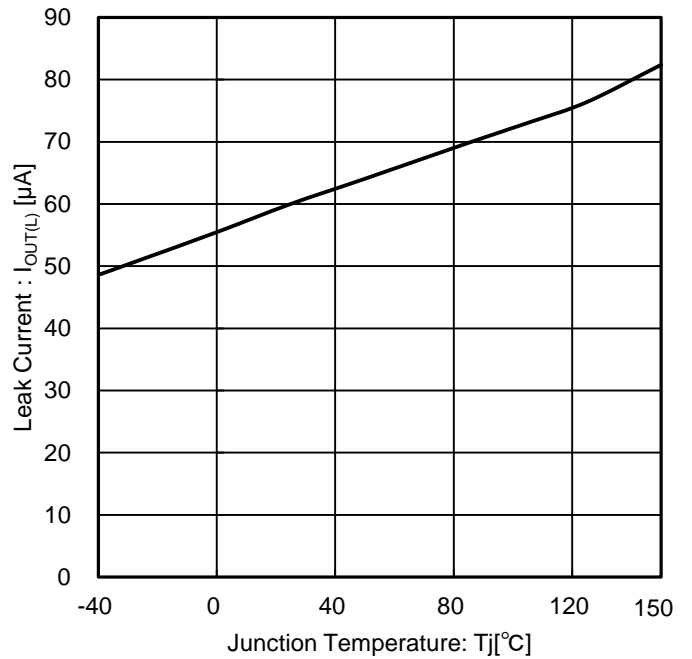


Figure 10. Leak Current vs. Junction Temperature

Typical Performance Curves (Unless otherwise specified, $T_j=25^{\circ}\text{C}$, $V_{\text{IN}}=5.0\text{V}$) – continued

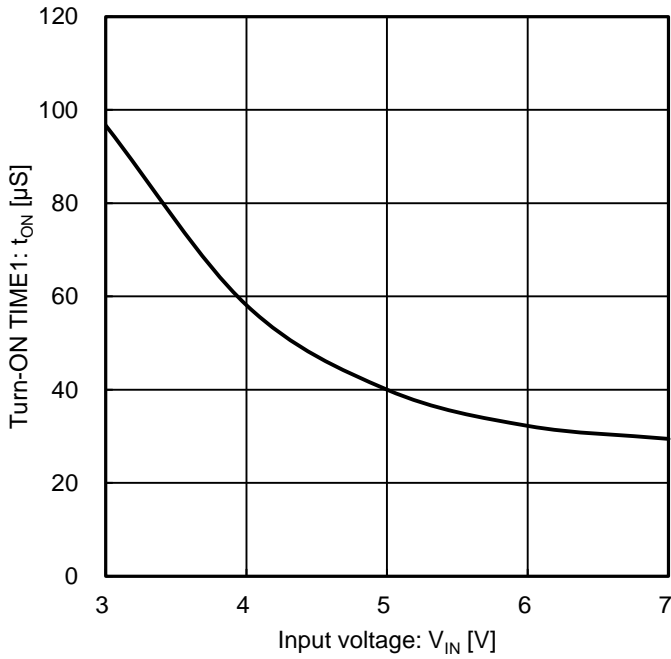


Figure 11. Turn-ON TIME1 vs. Input voltage

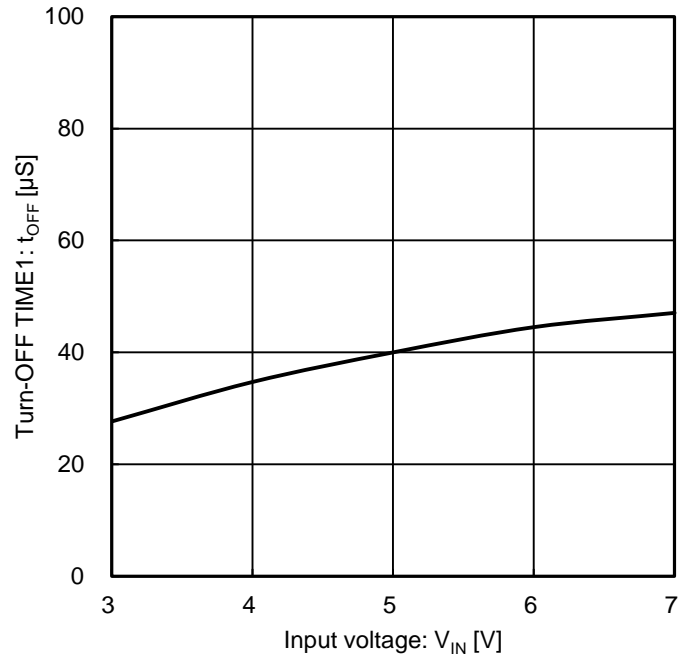


Figure 12. Turn-OFF TIME1 vs. Input voltage

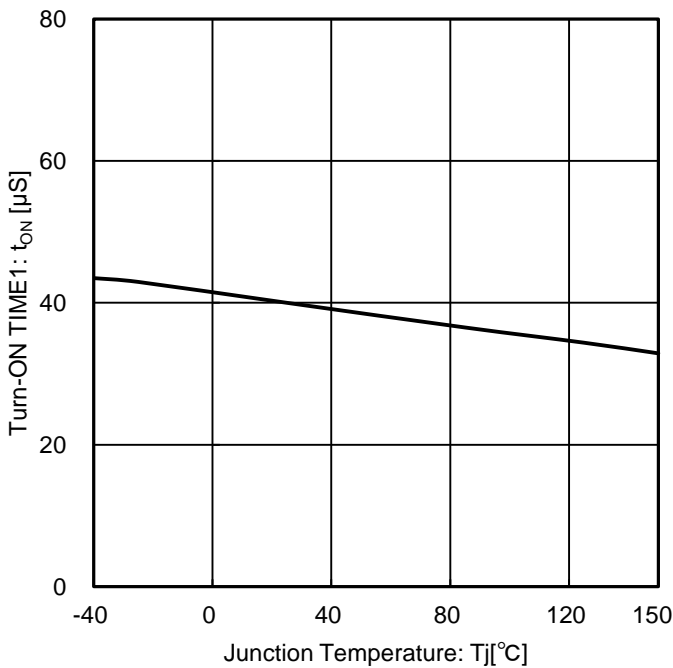


Figure 13. Turn-ON TIME1 vs. Junction Temperature

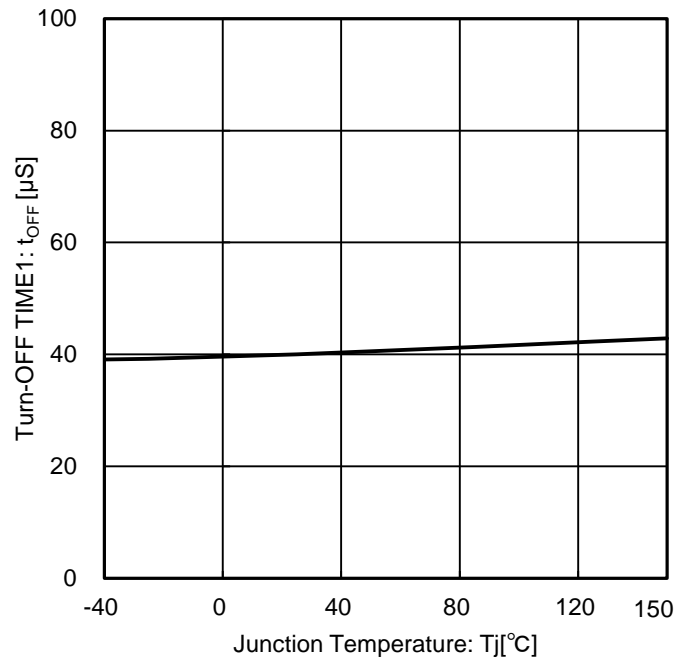


Figure 14. Turn-OFF TIME1 vs. Junction Temperature

Typical Performance Curves (Unless otherwise specified, $T_j=25^{\circ}\text{C}$, $V_{\text{IN}}=5.0\text{V}$) – continued

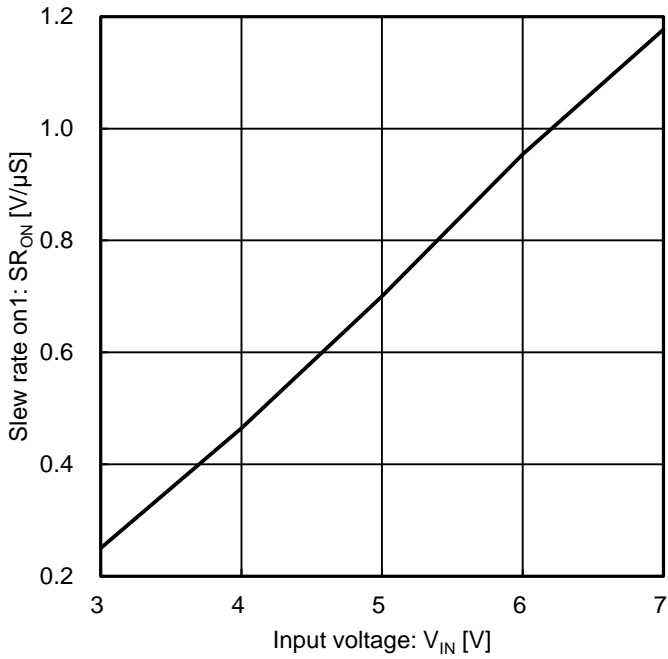


Figure 15. Slew rate on1 vs. Input voltage

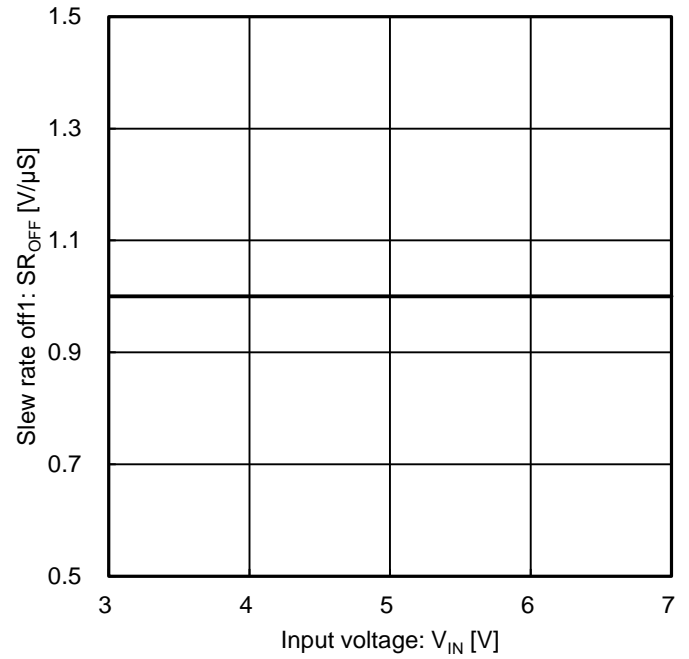


Figure 16. Slew rate off1 vs. Input voltage

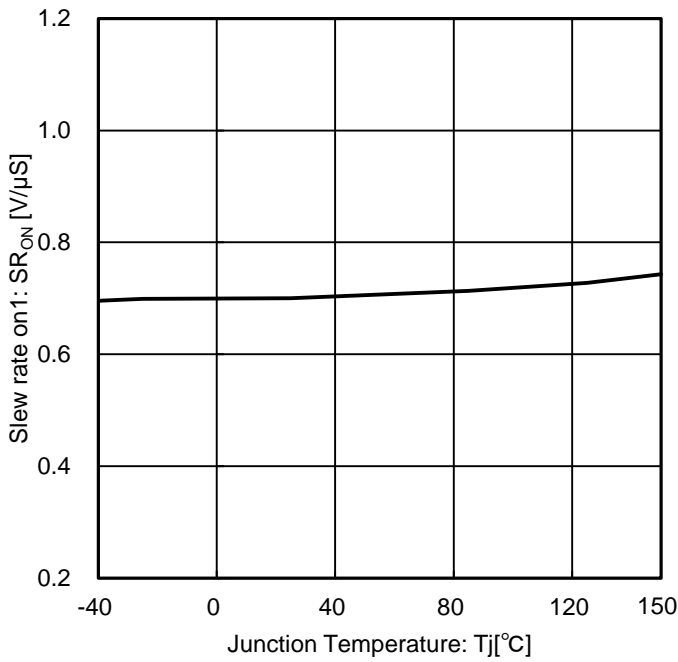


Figure 17. Slew rate on1 vs. Junction Temperature

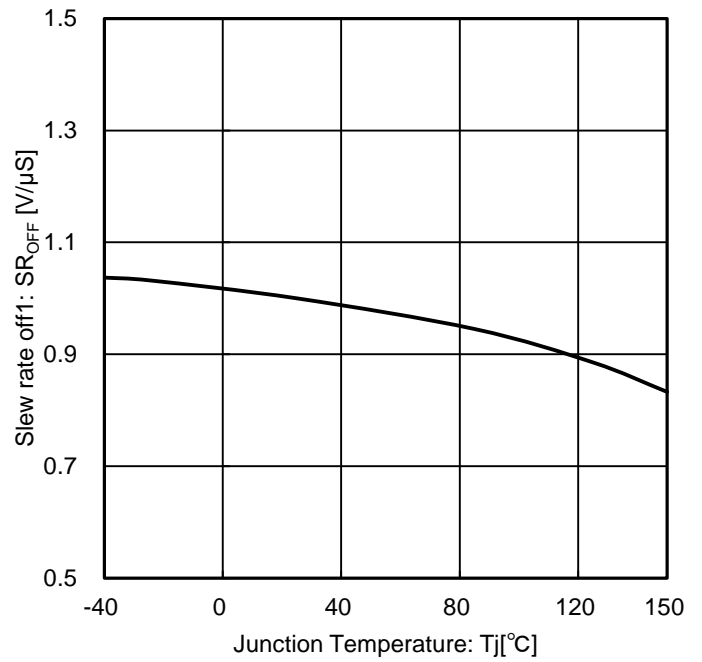


Figure 18. Slew rate off1 vs. Junction Temperature

Typical Performance Curves (Unless otherwise specified, $T_j=25^\circ\text{C}, V_{IN}=5.0\text{V}$) – continued

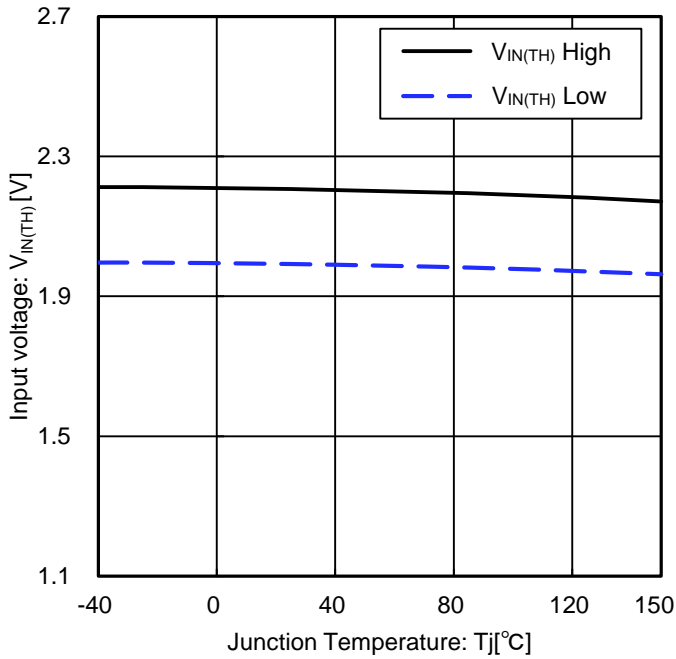


Figure 19. Input voltage vs. Junction Temperature

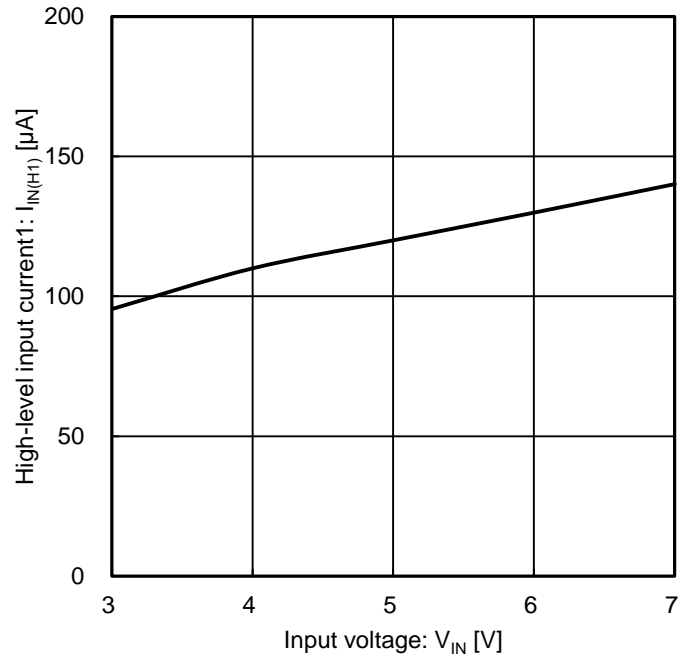


Figure 20. High-level input current1 (in normal operation) vs. Input voltage

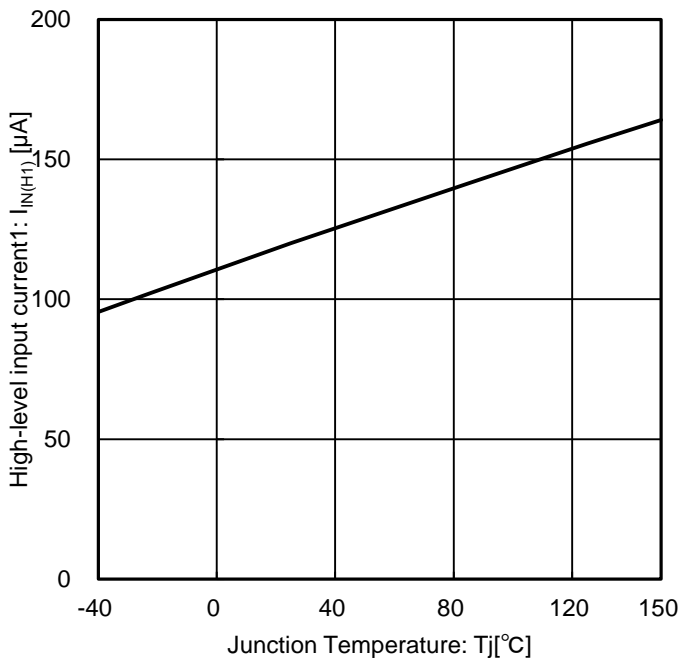


Figure 21. High-level input current1 (in normal operation) vs. Junction Temperature

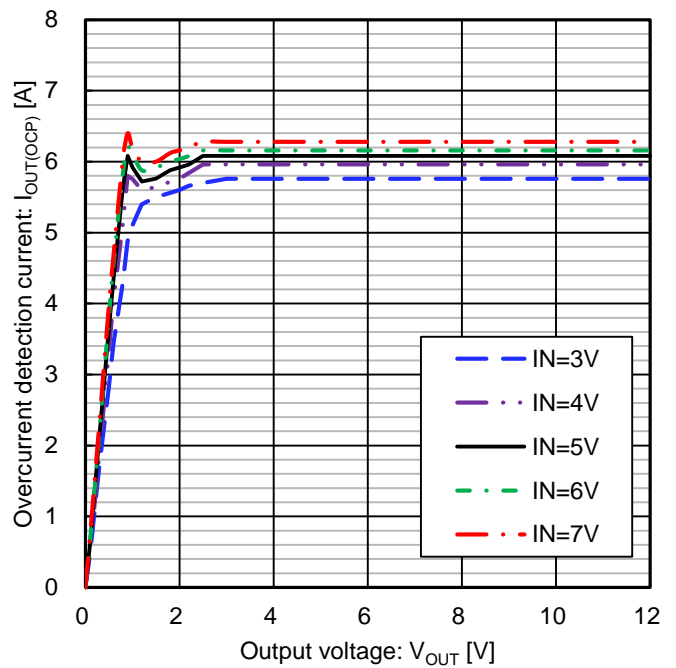


Figure 22. Overcurrent detection current vs. Output voltage

Typical Performance Curves (Unless otherwise specified, $T_j=25^\circ\text{C}$, $V_{IN}=5.0\text{V}$) – continued

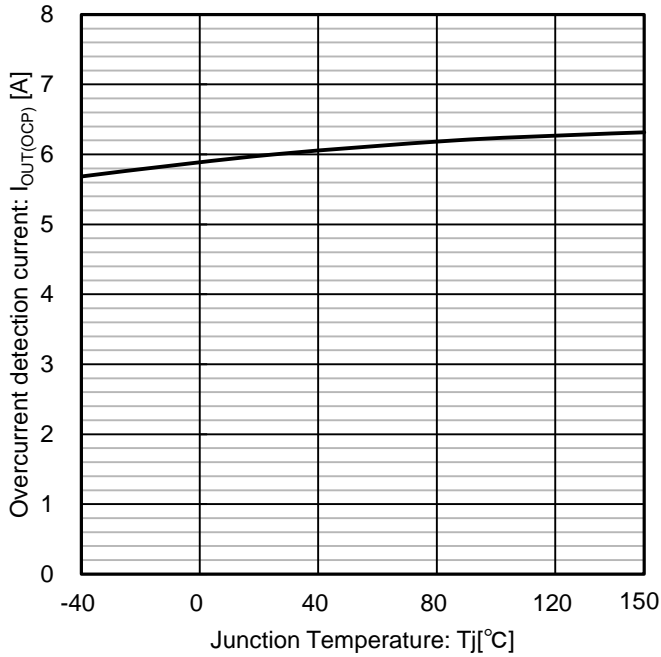


Figure 23. Overcurrent detection current vs. Junction Temperature

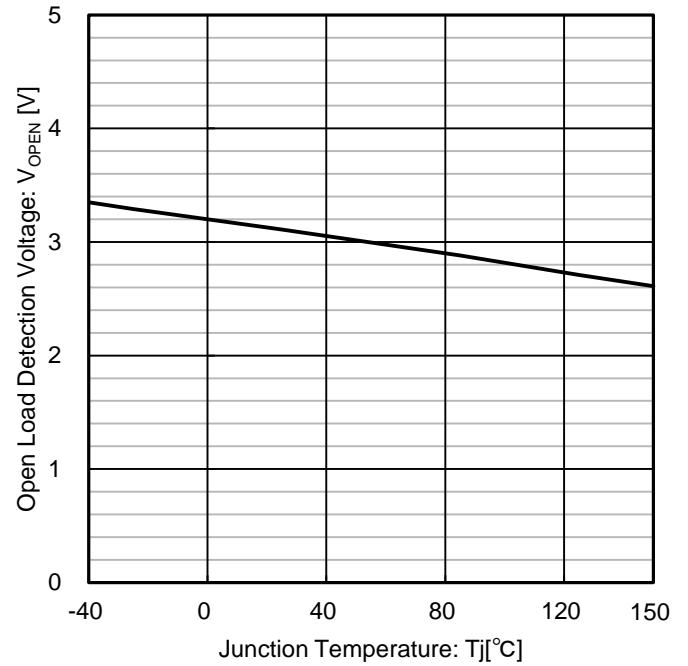


Figure 24. Open Load Detection Voltage vs. junction temperature

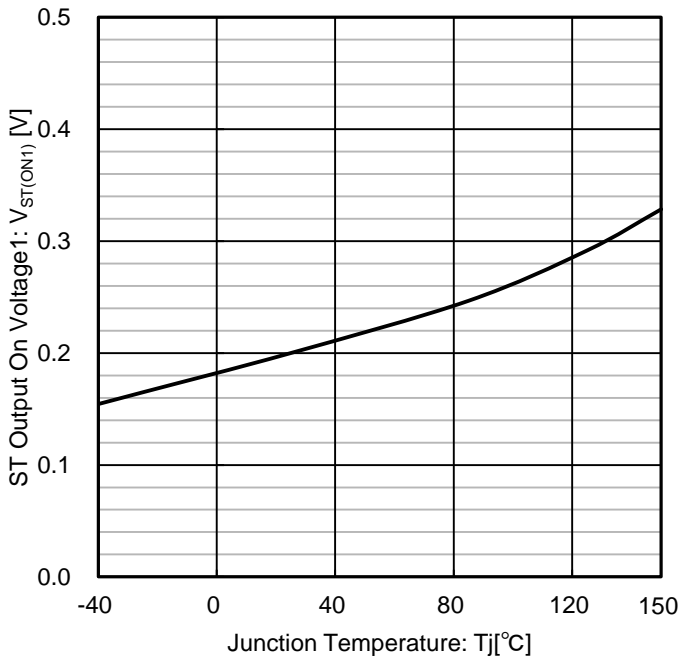


Figure 25. ST Output On Voltage1 vs. junction temperature

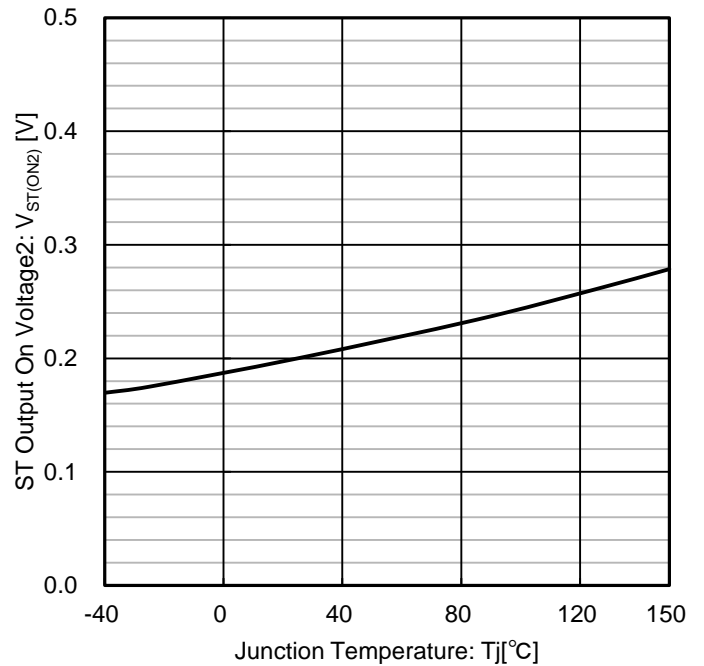


Figure 26. ST Output On Voltage2 vs. junction temperature

Typical Performance Curves (Unless otherwise specified, $T_j=25^\circ\text{C}, V_{IN}=5.0\text{V}$) – continued

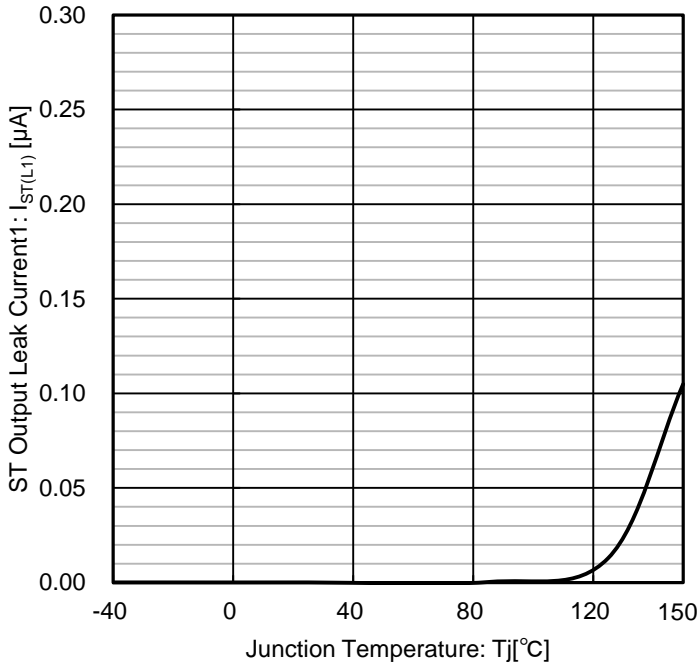


Figure 27. ST Output Leak Current1 vs. junction temperature

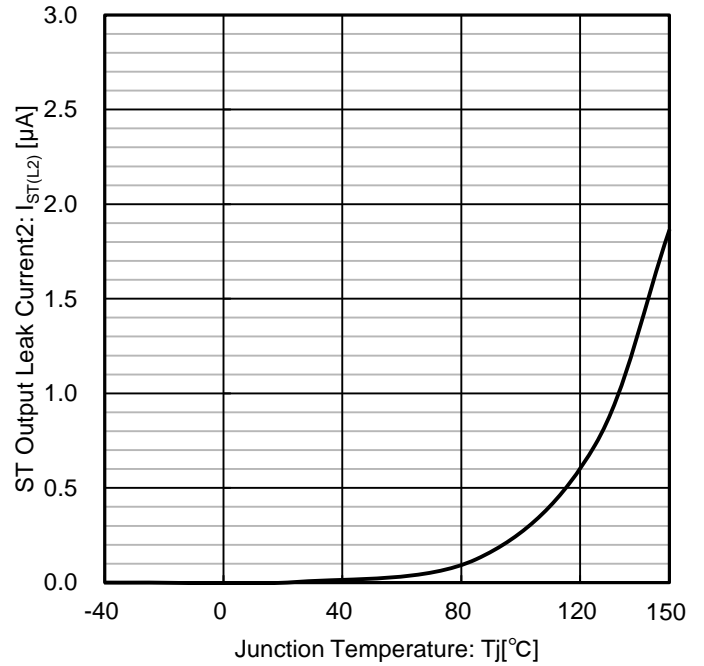


Figure 28. ST Output Leak Current2 vs. junction temperature

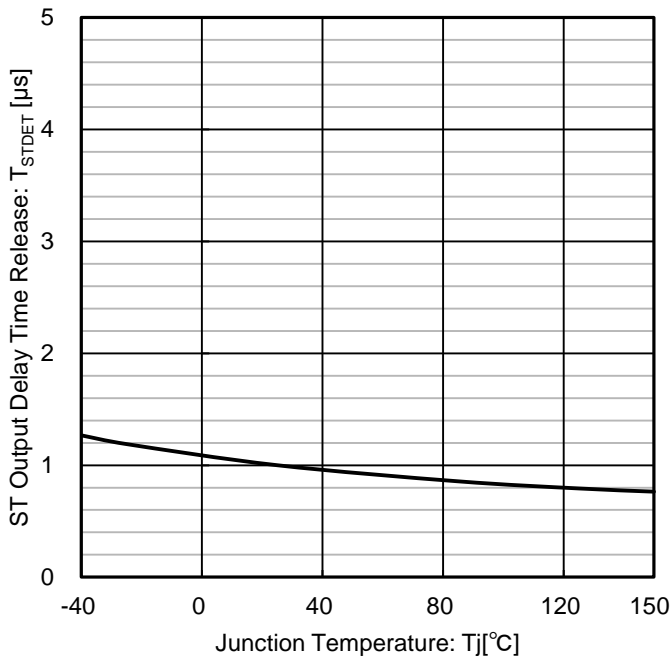


Figure 29. ST Output Delay Time Release vs. junction temperature

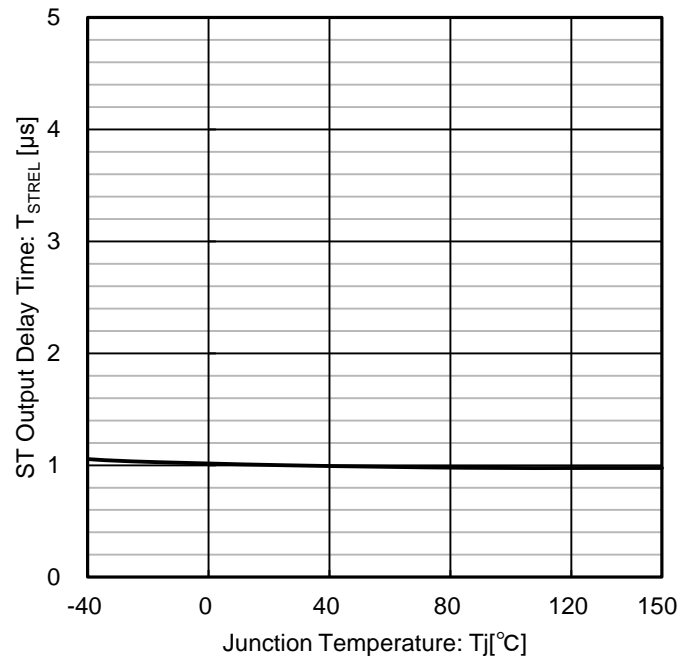
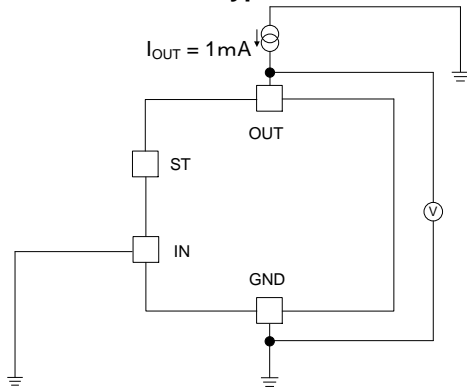
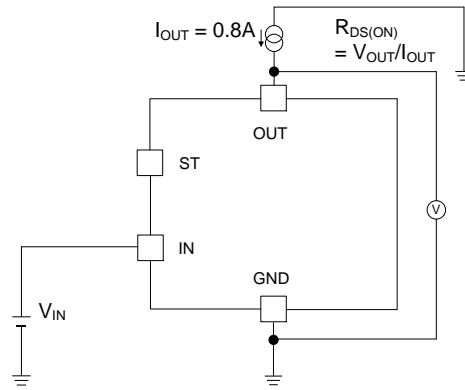


Figure 30. ST Output Delay Time vs. junction temperature

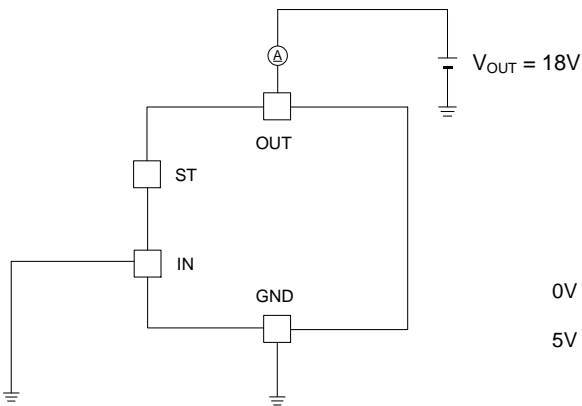
Measurement circuit for Typical Performance Curves



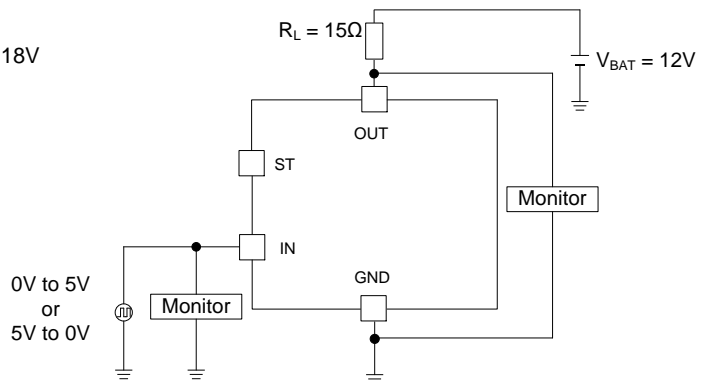
Measurement Circuit for Figure 7



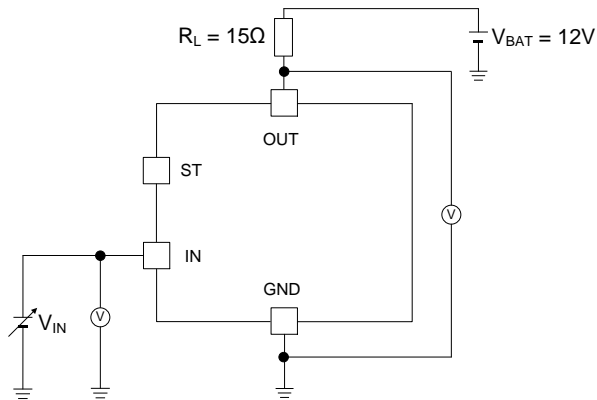
Measurement Circuit for Figure 8,9



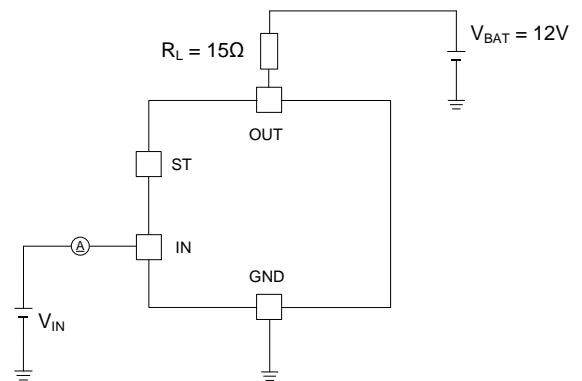
Measurement Circuit for Figure 10



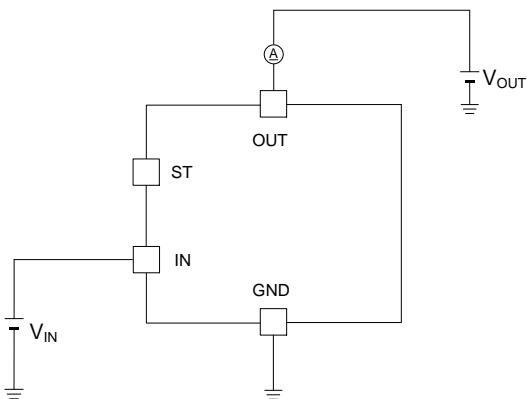
Measurement Circuit for Figure 11, 12, 13, 14, 15, 16, 17, 18



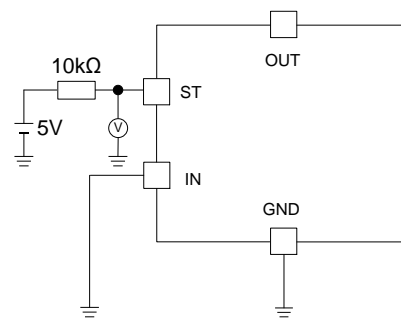
Measurement Circuit for Figure 19



Measurement Circuit for Figure 20, 21

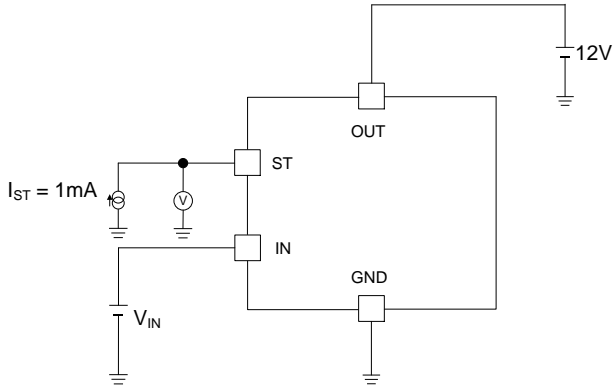


Measurement Circuit for Figure 22, 23

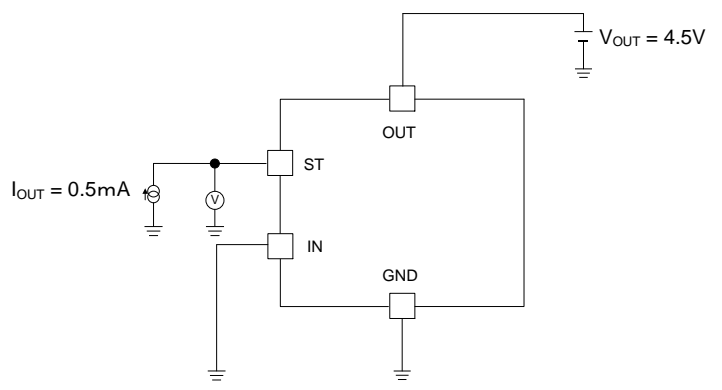


Measurement Circuit for Figure 24

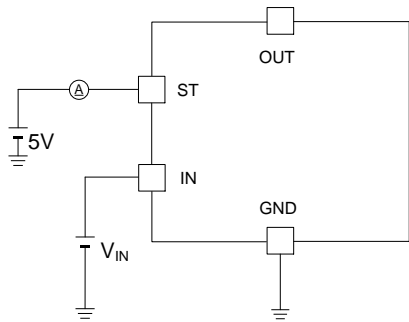
Measurement circuit for Typical Performance Curves – continued



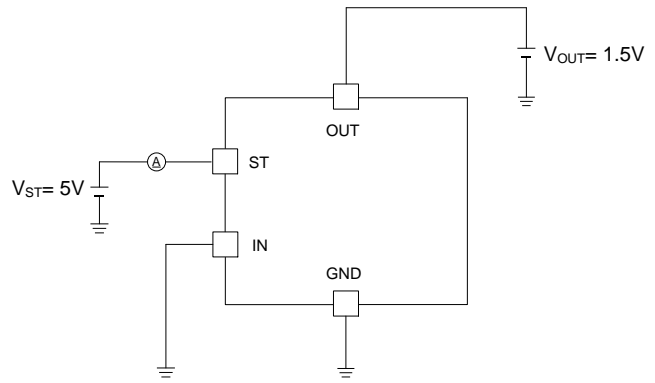
Measurement Circuit for Figure 25



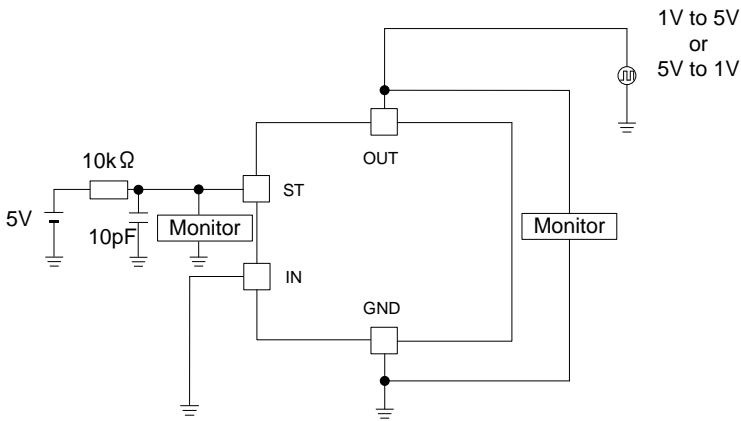
Measurement Circuit for Figure 26



Measurement Circuit for Figure 27



Measurement Circuit for Figure 28



Measurement Circuit for Figure 29, 30

I/O Pin Truth Table

Operating Status	Input Signal	Output Level	ST Level
Normal	L	H	L
	H	L	H
Overcurrent	L	H	L
	H	Clamp	L
Load open	L	L	H
	H	L	H
Over Temperature	L	H	L
	H	H	L

Timing Chart

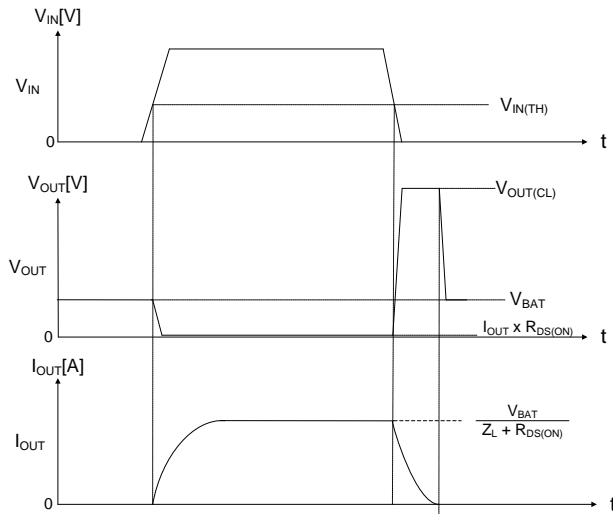


Figure 31. Inductive Load Operation

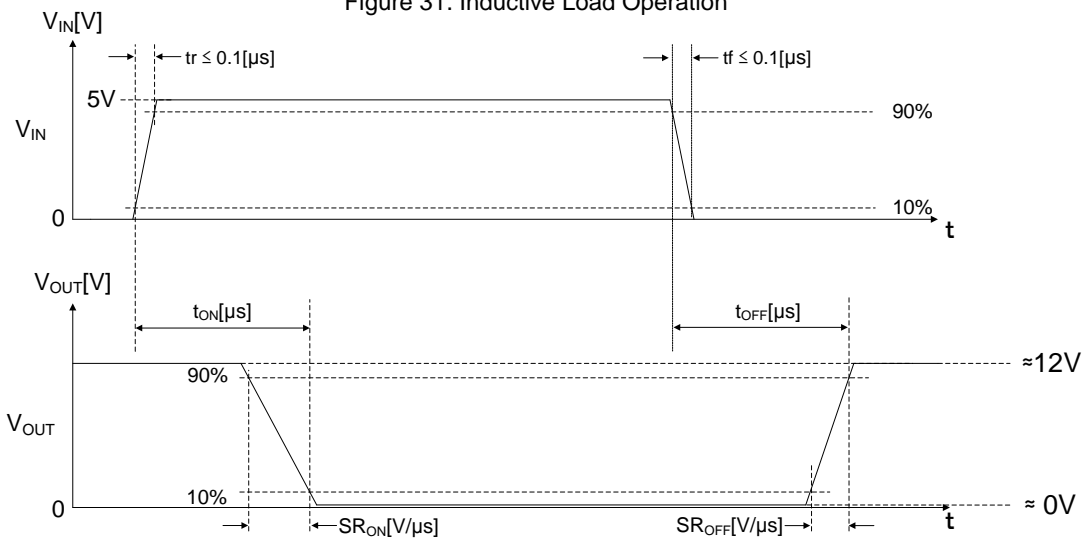


Figure 32. Switching Time

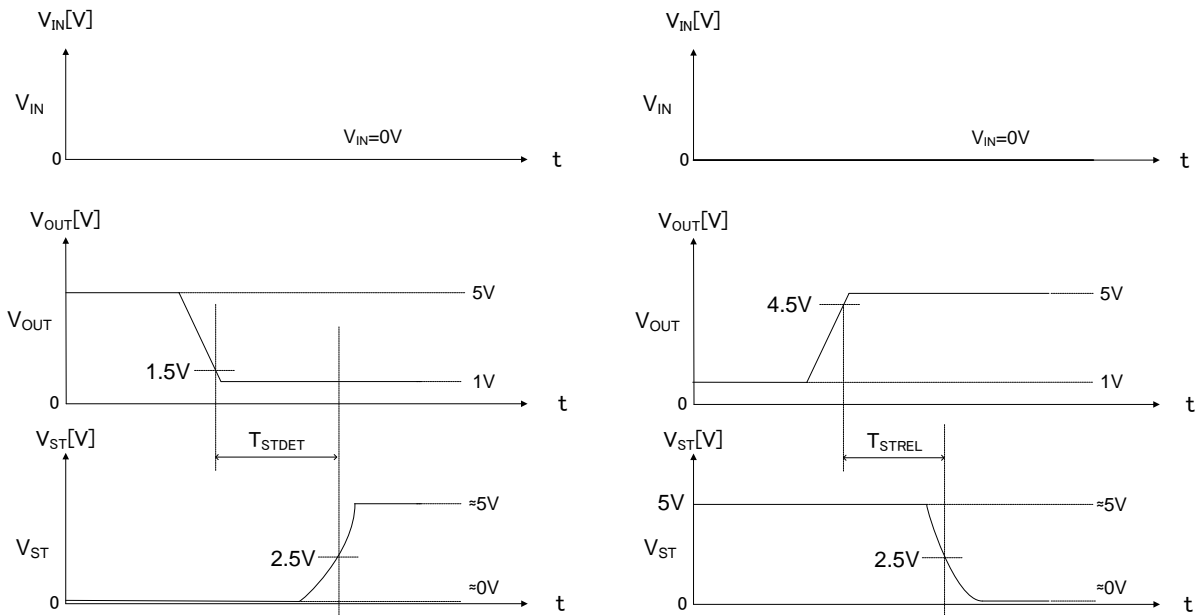
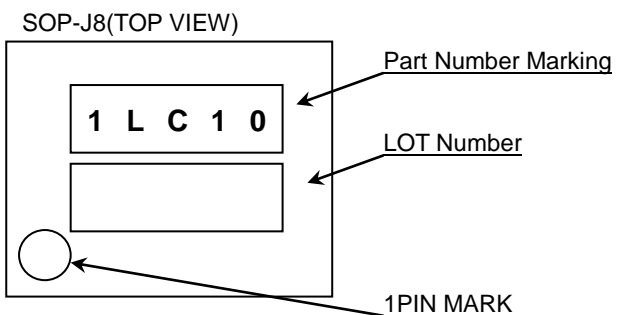


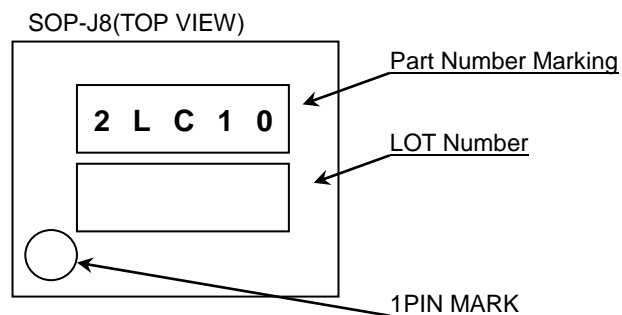
Figure 33. ST Output Delay Time

Marking Diagram

■ BV1LC105FJ-C

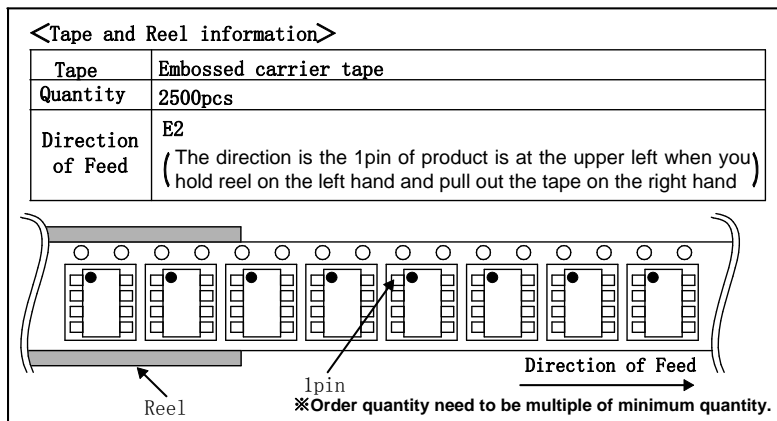
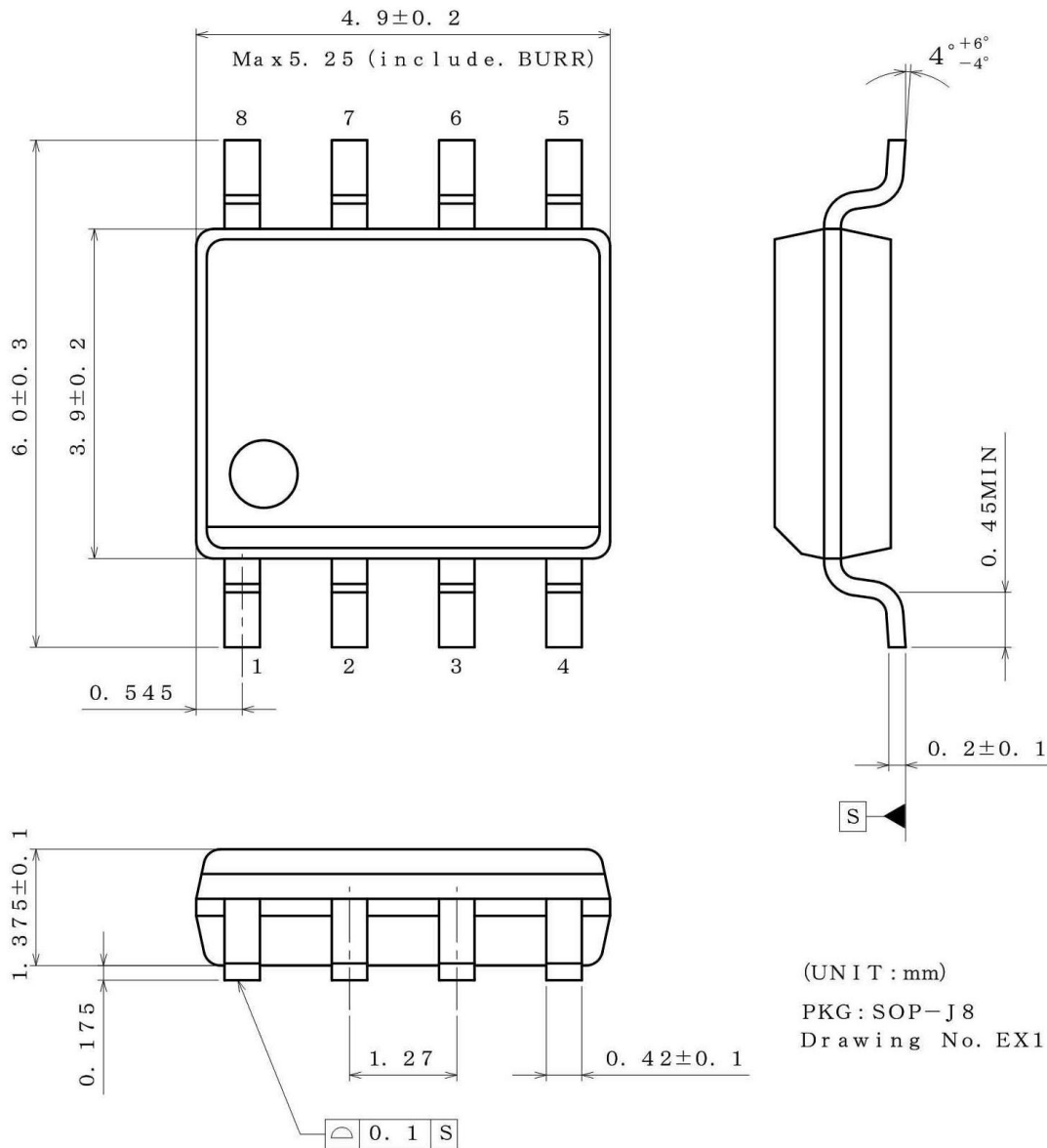


■ BM2LC105FJ-C



Physical Dimension, Tape and Reel Information

Package Name	SOP-J8
--------------	--------



Operational Notes

1. Grounding Interconnection Pattern

When a small-signal ground and a high-current ground are used, it is recommended to isolate the high-current grounding interconnection pattern and the small-signal grounding interconnection pattern and establish a single ground at the reference point of a set so that voltage changes due to the resistance and high current of patterned interconnects will not cause any changes in the small-signal ground voltage. Pay careful attention to prevent changes in the interconnection pattern of ground for external components.

The ground lines must be as short and thick as possible to reduce line impedance.

2. Thermal Consideration

The amount of heat generated depends on the On-state resistance and Output current.

Should by any condition the maximum junction temperature $T_{jmax} = 150\text{ }^{\circ}\text{C}$ rating be exceeded by the temperature increase of the chip, it may result in deterioration of the properties of the chip. The thermal impedance in this specification is based on recommended PCB and measurement condition by JEDEC standard. Verify the application and allow sufficient margins in the thermal design.

3. Absolute Maximum Ratings

Operating the IC over the absolute maximum ratings may damage the IC. The damage can either be a short circuit between pins or an open circuit between pins and the internal circuitry. Therefore, it is important to consider circuit protection measures, such as adding a fuse, in case the IC is operated over the absolute maximum ratings.

4. Inspections on Set Board

If a capacitor is connected to a low-impedance pin in order to conduct inspections of the IC on a set board, stress may apply to the IC. To avoid that, be sure to discharge the capacitor in each process. In addition, to connect or disconnect the IC to or from a jig in the testing process, be sure to turn OFF the power supply prior to connecting the IC, and disconnect it from the jig only after turning OFF the power supply. Furthermore, in order to protect the IC from static electricity, establish a ground for the IC assembly process and pay utmost attention to transport and store the IC.

5. Inter-pin Short and Mounting Errors

Ensure that the direction and position are correct when mounting the IC on the PCB. Incorrect mounting may result in damaging the IC. Avoid nearby pins being shorted to each other especially to ground, power supply and output pin. Inter-pin shorts could be due to many reasons such as metal particles, water droplets (in very humid environment) and unintentional solder bridge deposited in between pins during assembly to name a few.

6. Ceramic Capacitor

When using a ceramic capacitor, determine the dielectric constant considering the change of capacitance with temperature and the decrease in nominal capacitance due to DC bias and others.

7. Thermal Shutdown Circuit

IC has a built-in thermal shutdown circuit as an overheat-protection measure. The circuit is designed to turn OFF output when the temperature of the IC chip exceeds $175\text{ }^{\circ}\text{C}$ (Typ) and return the IC to the normal operation when the temperature falls below $160\text{ }^{\circ}\text{C}$ (Typ).

The thermal shutdown circuit is a circuit absolutely intended to protect the IC from thermal runaway, not intended to protect or guarantee the IC. Consequently, do not operate the IC based on the subsequent continuous use or operation of the circuit.

8. Overcurrent Limiting Circuit

IC incorporates an integrated overcurrent protection circuit that is activated when the load is shorted. This protection circuit is effective in preventing damage due to sudden and unexpected incidents. However, the IC should not be used in applications characterized by continuous operation or transitioning of the protection circuit.

9. Overvoltage (Active Clamp) Protection Function

IC has a built-in overvoltage protection function in order for the IC to absorb counter-electromotive force energy generated when inductive load is turned OFF. Since the input voltage is clamped at 0V. When the active clamp circuit is activated, the thermal shutdown circuit is disabled.

10. Counter-electromotive Force

Fully ensure that the counter-electromotive force presents no problems in the operation of the IC.

Operational Notes – continued

11. Negative Current of Output

When supply a negative current from OUT(DRAIN) terminal in the state that supplied the voltage to IN terminal. The current pass from IN terminal to OUT(DRAIN) terminal through a parasitic transistor and voltage of IN terminal descend as shown in Figure 34 and Figure 35.

As shown in Figure 34 power MOS is turned on, set the OUT(DRAIN) terminal is more than -0.3V. Because a negative current may be passed to OUT(DRAIN) terminal from a power supply of the connection of the IN terminal (MCU, and so on).

As shown in Figure 35 power MOS is turned off, add a restriction resistance higher than 330 Ω to IN terminal. Because a negative current may be passed to DRAIN terminal from GND of the connection of the IN terminal.

The restriction resistance value, set up in consideration of the voltage descent caused by the IN terminal current.

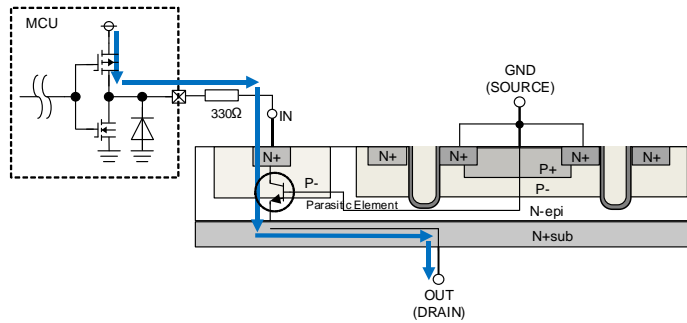


Figure 34. Negative current path (when power MOS is turned on)

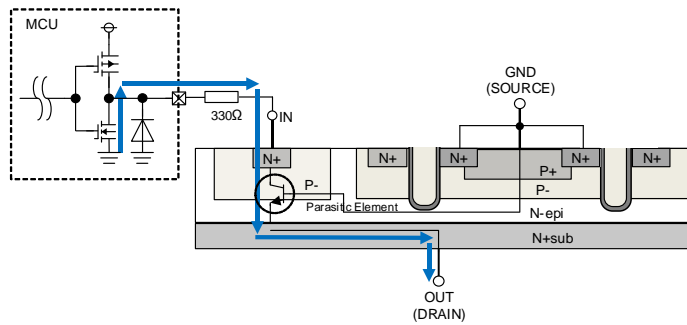


Figure 35. Negative current path (when power MOS is turned off)

Revision History

Date	Revision	Changes
23.Mar.2017	001	New Release
22.Sep.2017	002	P1 Line up was corrected. P1 General Description was corrected. P2 Block Diagrams was corrected. P9 Electrical Characteristics ST Output Delay Time Detect and ST Output Delay Time Release conditions were corrected. P17 Measurement Circuit for Figre 29, 30 was corrected.

Notice

Precaution on using ROHM Products

1. If you intend to use our Products in devices requiring extremely high reliability (such as medical equipment ^(Note 1), aircraft/spacecraft, nuclear power controllers, etc.) and whose malfunction or failure may cause loss of human life, bodily injury or serious damage to property ("Specific Applications"), please consult with the ROHM sales representative in advance. Unless otherwise agreed in writing by ROHM in advance, ROHM shall not be in any way responsible or liable for any damages, expenses or losses incurred by you or third parties arising from the use of any ROHM's Products for Specific Applications.

(Note1) Medical Equipment Classification of the Specific Applications

JAPAN	USA	EU	CHINA
CLASS III	CLASS III	CLASS II b	CLASS III
CLASS IV		CLASS III	

2. ROHM designs and manufactures its Products subject to strict quality control system. However, semiconductor products can fail or malfunction at a certain rate. Please be sure to implement, at your own responsibilities, adequate safety measures including but not limited to fail-safe design against the physical injury, damage to any property, which a failure or malfunction of our Products may cause. The following are examples of safety measures:
 - [a] Installation of protection circuits or other protective devices to improve system safety
 - [b] Installation of redundant circuits to reduce the impact of single or multiple circuit failure
3. Our Products are not designed under any special or extraordinary environments or conditions, as exemplified below. Accordingly, ROHM shall not be in any way responsible or liable for any damages, expenses or losses arising from the use of any ROHM's Products under any special or extraordinary environments or conditions. If you intend to use our Products under any special or extraordinary environments or conditions (as exemplified below), your independent verification and confirmation of product performance, reliability, etc. prior to use, must be necessary:
 - [a] Use of our Products in any types of liquid, including water, oils, chemicals, and organic solvents
 - [b] Use of our Products outdoors or in places where the Products are exposed to direct sunlight or dust
 - [c] Use of our Products in places where the Products are exposed to sea wind or corrosive gases, including Cl₂, H₂S, NH₃, SO₂, and NO₂
 - [d] Use of our Products in places where the Products are exposed to static electricity or electromagnetic waves
 - [e] Use of our Products in proximity to heat-producing components, plastic cords, or other flammable items
 - [f] Sealing or coating our Products with resin or other coating materials
 - [g] Use of our Products without cleaning residue of flux (even if you use no-clean type fluxes, cleaning residue of flux is recommended); or Washing our Products by using water or water-soluble cleaning agents for cleaning residue after soldering
 - [h] Use of the Products in places subject to dew condensation
4. The Products are not subject to radiation-proof design.
5. Please verify and confirm characteristics of the final or mounted products in using the Products.
6. In particular, if a transient load (a large amount of load applied in a short period of time, such as pulse. is applied, confirmation of performance characteristics after on-board mounting is strongly recommended. Avoid applying power exceeding normal rated power; exceeding the power rating under steady-state loading condition may negatively affect product performance and reliability.
7. De-rate Power Dissipation depending on ambient temperature. When used in sealed area, confirm that it is the use in the range that does not exceed the maximum junction temperature.
8. Confirm that operation temperature is within the specified range described in the product specification.
9. ROHM shall not be in any way responsible or liable for failure induced under deviant condition from what is defined in this document.

Precaution for Mounting / Circuit board design

1. When a highly active halogenous (chlorine, bromine, etc.) flux is used, the residue of flux may negatively affect product performance and reliability.
2. In principle, the reflow soldering method must be used on a surface-mount products, the flow soldering method must be used on a through hole mount products. If the flow soldering method is preferred on a surface-mount products, please consult with the ROHM representative in advance.

For details, please refer to ROHM Mounting specification

Precautions Regarding Application Examples and External Circuits

1. If change is made to the constant of an external circuit, please allow a sufficient margin considering variations of the characteristics of the Products and external components, including transient characteristics, as well as static characteristics.
2. You agree that application notes, reference designs, and associated data and information contained in this document are presented only as guidance for Products use. Therefore, in case you use such information, you are solely responsible for it and you must exercise your own independent verification and judgment in the use of such information contained in this document. ROHM shall not be in any way responsible or liable for any damages, expenses or losses incurred by you or third parties arising from the use of such information.

Precaution for Electrostatic

This Product is electrostatic sensitive product, which may be damaged due to electrostatic discharge. Please take proper caution in your manufacturing process and storage so that voltage exceeding the Products maximum rating will not be applied to Products. Please take special care under dry condition (e.g. Grounding of human body / equipment / solder iron, isolation from charged objects, setting of Ionizer, friction prevention and temperature / humidity control).

Precaution for Storage / Transportation

1. Product performance and soldered connections may deteriorate if the Products are stored in the places where:
 - [a] the Products are exposed to sea winds or corrosive gases, including Cl₂, H₂S, NH₃, SO₂, and NO₂
 - [b] the temperature or humidity exceeds those recommended by ROHM
 - [c] the Products are exposed to direct sunshine or condensation
 - [d] the Products are exposed to high Electrostatic
2. Even under ROHM recommended storage condition, solderability of products out of recommended storage time period may be degraded. It is strongly recommended to confirm solderability before using Products of which storage time is exceeding the recommended storage time period.
3. Store / transport cartons in the correct direction, which is indicated on a carton with a symbol. Otherwise bent leads may occur due to excessive stress applied when dropping of a carton.
4. Use Products within the specified time after opening a humidity barrier bag. Baking is required before using Products of which storage time is exceeding the recommended storage time period.

Precaution for Product Label

A two-dimensional barcode printed on ROHM Products label is for ROHM's internal use only.

Precaution for Disposition

When disposing Products please dispose them properly using an authorized industry waste company.

Precaution for Foreign Exchange and Foreign Trade act

Since concerned goods might be fallen under listed items of export control prescribed by Foreign exchange and Foreign trade act, please consult with ROHM in case of export.

Precaution Regarding Intellectual Property Rights

1. All information and data including but not limited to application example contained in this document is for reference only. ROHM does not warrant that foregoing information or data will not infringe any intellectual property rights or any other rights of any third party regarding such information or data.
2. ROHM shall not have any obligations where the claims, actions or demands arising from the combination of the Products with other articles such as components, circuits, systems or external equipment (including software).
3. No license, expressly or implied, is granted hereby under any intellectual property rights or other rights of ROHM or any third parties with respect to the Products or the information contained in this document. Provided, however, that ROHM will not assert its intellectual property rights or other rights against you or your customers to the extent necessary to manufacture or sell products containing the Products, subject to the terms and conditions herein.

Other Precaution

1. This document may not be reprinted or reproduced, in whole or in part, without prior written consent of ROHM.
2. The Products may not be disassembled, converted, modified, reproduced or otherwise changed without prior written consent of ROHM.
3. In no event shall you use in any way whatsoever the Products and the related technical information contained in the Products or this document for any military purposes, including but not limited to, the development of mass-destruction weapons.
4. The proper names of companies or products described in this document are trademarks or registered trademarks of ROHM, its affiliated companies or third parties.

General Precaution

1. Before you use our Products, you are requested to carefully read this document and fully understand its contents. ROHM shall not be in any way responsible or liable for failure, malfunction or accident arising from the use of any ROHM's Products against warning, caution or note contained in this document.
2. All information contained in this document is current as of the issuing date and subject to change without any prior notice. Before purchasing or using ROHM's Products, please confirm the latest information with a ROHM sales representative.
3. The information contained in this document is provided on an "as is" basis and ROHM does not warrant that all information contained in this document is accurate and/or error-free. ROHM shall not be in any way responsible or liable for any damages, expenses or losses incurred by you or third parties resulting from inaccuracy or errors of or concerning such information.

Mouser Electronics

Authorized Distributor

Click to View Pricing, Inventory, Delivery & Lifecycle Information:

[ROHM Semiconductor:](#)

[BM2LC105FJ-CE2](#) [BV1LC105FJ-CE2](#)



Компания «ЭлектроПласт» предлагает заключение долгосрочных отношений при поставках импортных электронных компонентов на взаимовыгодных условиях!

Наши преимущества:

- Оперативные поставки широкого спектра электронных компонентов отечественного и импортного производства напрямую от производителей и с крупнейших мировых складов;
- Поставка более 17-ти миллионов наименований электронных компонентов;
- Поставка сложных, дефицитных, либо снятых с производства позиций;
- Оперативные сроки поставки под заказ (от 5 рабочих дней);
- Экспресс доставка в любую точку России;
- Техническая поддержка проекта, помощь в подборе аналогов, поставка прототипов;
- Система менеджмента качества сертифицирована по Международному стандарту ISO 9001;
- Лицензия ФСБ на осуществление работ с использованием сведений, составляющих государственную тайну;
- Поставка специализированных компонентов (Xilinx, Altera, Analog Devices, Intersil, Interpoint, Microsemi, Aeroflex, Peregrine, Syfer, Eurofarad, Texas Instrument, Miteq, Cobham, E2V, MA-COM, Hittite, Mini-Circuits, General Dynamics и др.);

Помимо этого, одним из направлений компании «ЭлектроПласт» является направление «Источники питания». Мы предлагаем Вам помощь Конструкторского отдела:

- Подбор оптимального решения, техническое обоснование при выборе компонента;
- Подбор аналогов;
- Консультации по применению компонента;
- Поставка образцов и прототипов;
- Техническая поддержка проекта;
- Защита от снятия компонента с производства.



Как с нами связаться

Телефон: 8 (812) 309 58 32 (многоканальный)

Факс: 8 (812) 320-02-42

Электронная почта: org@eplast1.ru

Адрес: 198099, г. Санкт-Петербург, ул. Калинина, дом 2, корпус 4, литера А.