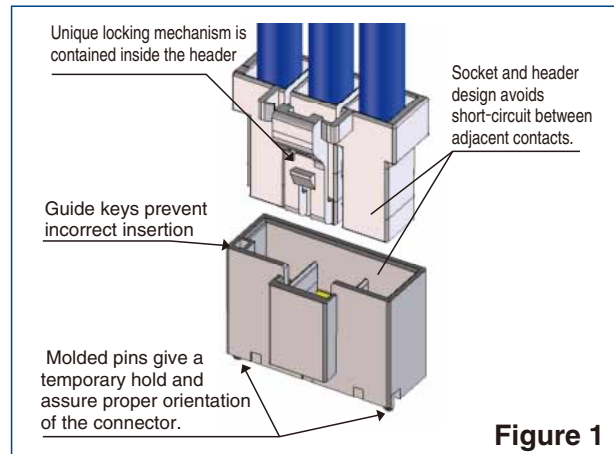


# 45Amp, 10.16 mm pitch, Board to Wire Connector for Internal Power Supply

DF60 Series

(UL, C-UL, TÜV certified product)



## ■ Features

### 1. High current capacity

Capable of going to a max. of 45A when using AWG #8 with the single position connector. (Please refer to the chart for the rated current in other pin counts.)

### 2. Secure lock mechanism ensures complete mating

A secure lock mechanism with a clear tactile and audible click prevents insufficient mating. (Please refer to Figure 2)

### 3. Highly reliable 5-point contact structure

Three independent contact springs provide a secure contact with high contact reliability using 5-point of contact. (Please refer to Figure 3))

### 4. Molded lance design

The lance is actually part of the housing instead of being part of the terminal. This prevents tangled wires during assembly.

### 5. Mis-insertion prevention for headers

The addition of a molded pin on the header allows temporary mounting retention and prevents reverse mounting on the PCB. (Please refer to Figure 1). ( Right angle pin header has a metal fitting for this purpose)

### 6. Prevention of solder cracks

Glass-reinforced resin is used on pin header to prevent solder cracks due to thermal contraction.

### 7. Design Prevents short-circuits between contacts

The wall structure between contacts isolates the contacts and prevents short circuits from occurring. (Please refer to Figure 1)

### 8. Compliant to UL, C-UL and TÜV specifications

## ● Lock structure

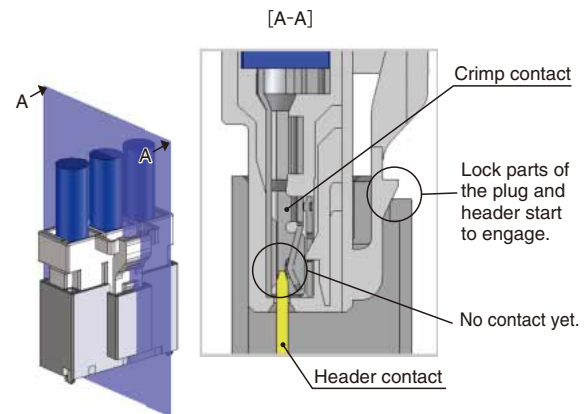
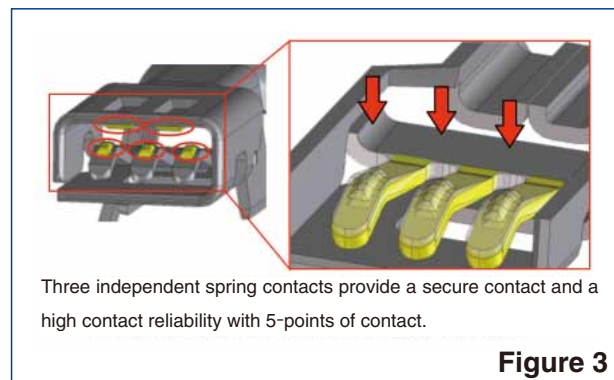


Figure 2



## Product Specifications

|         |                            |                 |       |        |        |  |
|---------|----------------------------|-----------------|-------|--------|--------|--|
| Ratings | Current Rating<br>(Note 1) | No. of Contacts | AWG#8 | AWG#10 | AWG#12 | Operating Temperature -55~105°C (Note 2)   |
|         |                            | 1               | 45A   | 38A    | 30A    | Operating Humidity Range 20~80%  |
|         |                            | 2               | 40A   | 31A    | 26A    | Storage Temperature Range -10~60°C (Note 3)  |
|         |                            | 3               | 40A   | 31A    | 26A    | Storage Humidity Range 40~70% (Note 3)   |
|         |                            | 4               | 38A   | 30A    | 25A    | UL/TÜV file No. and certification No.<br>UL : E52653<br>C-UL : E52653<br>TÜV : R50244085 |
|         |                            | 5               | 38A   | 30A    | 25A    |  |
|         | 6                          | 38A             | 30A   | 25A    |        |  |
|         | Specifications             |                 | AC/DC | 1,000V |        |  |
|         | Voltage Rating             | UL/C-UL         |       | AC/DC  | 600V   |  |
|         |                            | TÜV             |       | AC/DC  | 600V   |  |

| Item                      | Specifications   | Conditions   |
|---------------------------|--|--|
| 1. Insulation resistance  | No less than 1,000 MΩ  | Measured at DC=1,000V  |
| 2. Withstand voltage      | No flashover or breakdown  | AC 3,000V applied for one minute.  |
| 3. Contact resistance     | No more than 2 mΩ  | Measured at 1A and not greater than 6V   |
| 4. Vibration Resistance   | No electrical discontinuity of 1μs or greater  | Frequency 10 - 500Hz, accelerated velocity 98 m/s <sup>2</sup> , 2 hours for each of the three axis directions                       |
| 5. Shock Resistance       | No electrical discontinuity of 1μs or greater  | Accelerated velocity: 490m/s <sup>2</sup> , for 11 ms, half-sine wave form in 3 directions, 3 times for each of the three directions |
| 6. Moisture-resistance    | Contact resistance: no more than 2 mΩ;<br>insulation resistance: no less than 1,000 MΩ | Temperature: 40±2°C; humidity: 90 to 95%, left for 96 hours  |
| 7. Temperature cycles     | Contact resistance: no more than 2 mΩ;<br>insulation resistance: no less than 1,000 MΩ | -55°C: 30 minutes → 85°C: 30 minutes) 25 cycles  |
| 8. Durability             | Contact resistance No more than 2 mΩ   | 30 mating/unmating cycles  |
| 9. Solder heat resistance | There should be no melting of the resin part which will influence the performance.     | Flow: 260°C, 10sec<br>Hand soldering: temperature of soldering iron at 350°C±10°C for 5 seconds                                      |

(Note 1) This is the maximum current rating while all pins are powered or used as all power lines. If you split the current over multiple lines, please factor in your own safety margin.

(Note 2) Includes the temperature rise of power lines.

(Note 3) The storage condition refers to long-term storage of the product on the shelf before assembly. Please use the operating temperature for temporary storage such as pre-assembly and during shipping.

## Materials

| Component     | Part          | Material                       | Finish       | UL Specification |
|---------------|---------------|--------------------------------|--------------|------------------|
| Header        | Insulator     | PBT (glass-reinforced)         | Black        | UL94V-0          |
|               | Contact       | Brass                          | Gold plating | —                |
|               | Metal fitting | Brass                          | Tin-plating  | —                |
| Crimp socket  | Insulator     | PBT (glass-reinforced)         | Black        | UL94V-0          |
| In-line plug  | Insulator     | PBT (glass-reinforced)         | Black        | UL94V-0          |
| Crimp contact | Contact       | High conductivity copper alloy | Gold plating | —                |

## Product Number Structure

Refer to the charts below for determining specific part number characteristics.

Please select connectors listed in this catalog when placing orders and be sure to check the latest delivery specifications at the time of ordering the product.

### Connector

**DF** **60** - **\*** **P** - **10.16** **DSA**

①      ②      ③      ④      ⑤      ⑥

|   |   |
|---|---|
| ① Series Name : D F                     | ⑤ Pitch : 10. 16mm  |
| ② Series No. : 60                       | ⑥ Type of housing<br>DSA : straight pin header<br>DS : right angle pin header |
| ③ Number of contacts : 1, 2, 3, 4, 5, 6 |   |
| ④ Connector type<br>P: pin header       |   |

### Connector

**DF** **60** - **\*** **S** - **10.16** **C**

①      ②      ③      ④      ⑤      ⑥

|   |                                   |
|---|-----------------------------------|
| ① Series Name : D F   | ⑤ Pitch : 10. 16mm                |
| ② Series No. : 60   | ⑥ Wiring type<br>C : Crimp socket |
| ③ Number of contacts<br>S : 1, 2, 3, 4, 5, 6<br>EP : 2, 3, 4, 5 |                                   |
| ④ Connector type<br>S : socket<br>EP : In-line plug             |                                   |

### Contact

**DF** **60** - **8** **SCFA**

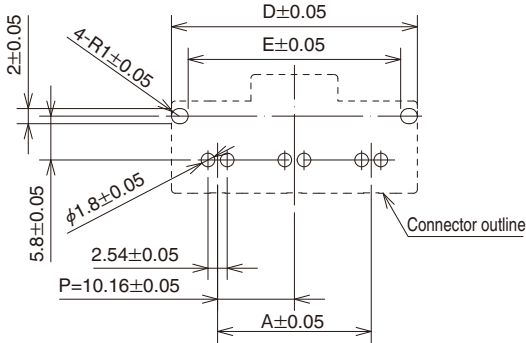
①      ②

|   |  |
|---|--|
| ① Applicable wire size<br>8 : AWG8<br>1012 : AWG10 ~ 12 | ② Packaging styles<br>SCFA : Socket contact reel<br>SCA : Socket contact, loose<br>PCFA : In-line plug plug contact, reel<br>PCA : In-line plug contact, loose |
|---|--|

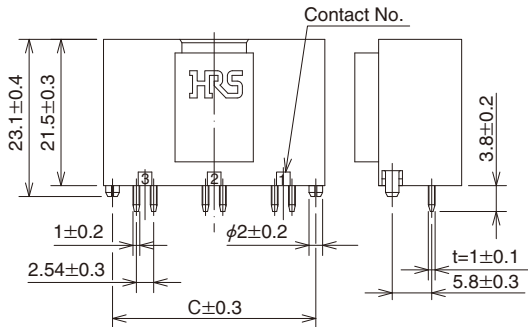
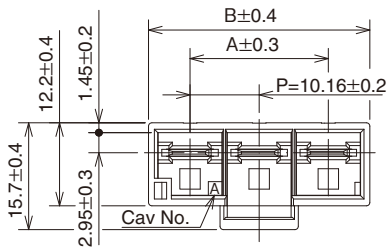
## ■ Straight pin header



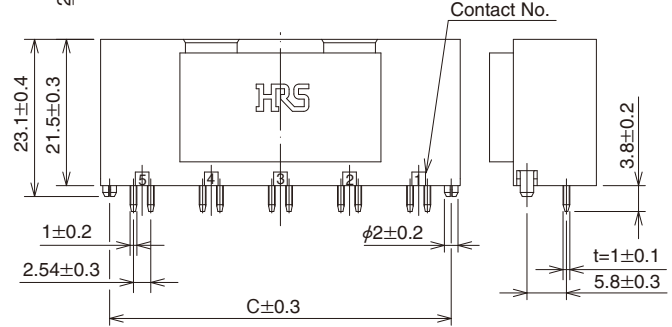
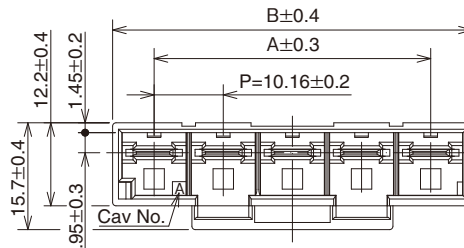
PCB layout  
(Recommended thickness of PCB:  $t=1.6\pm 0.1\text{mm}$ )



### Headers with 1 to 4 contacts



### Headers with 5 to 6 contacts



[Specification Number]  
(26): gold plating, tray packaging

Unit: mm

| Part Number           | HRS No.       | No. of Contacts | A     | B     | C     | D     | E     | Quantity per package |
|-----------------------|---------------|-----------------|-------|-------|-------|-------|-------|----------------------|
| DF60-1P-10.16DSA (26) | 680-3004-5-26 | 1               | —     | 15.2  | 9.55  | 12.2  | 7.78  | 160                  |
| DF60-2P-10.16DSA (26) | 680-3005-8-26 | 2               | 10.16 | 22.36 | 19.71 | 22.36 | 17.94 | 96                   |
| DF60-3P-10.16DSA (26) | 680-3001-7-26 | 3               | 20.32 | 32.52 | 29.87 | 32.52 | 28.1  | 64                   |
| DF60-4P-10.16DSA (26) | 680-3006-0-26 | 4               | 30.48 | 42.68 | 40.03 | 42.68 | 38.26 | 48                   |
| DF60-5P-10.16DSA (26) | 680-3007-3-26 | 5               | 40.64 | 52.84 | 50.19 | 52.84 | 48.42 | 32                   |
| DF60-6P-10.16DSA (26) | 680-3008-6-26 | 6               | 50.8  | 63    | 60.35 | 63    | 58.58 | 32                   |

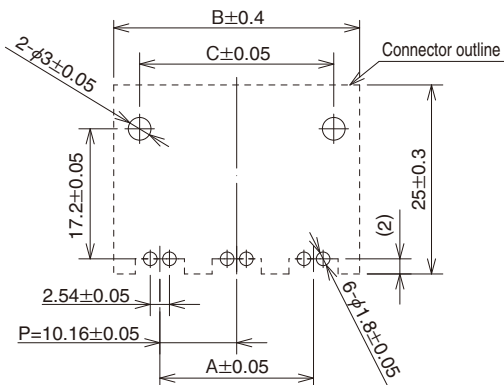
(Note) Please place orders in full lot quantities.

## Right angle pin header



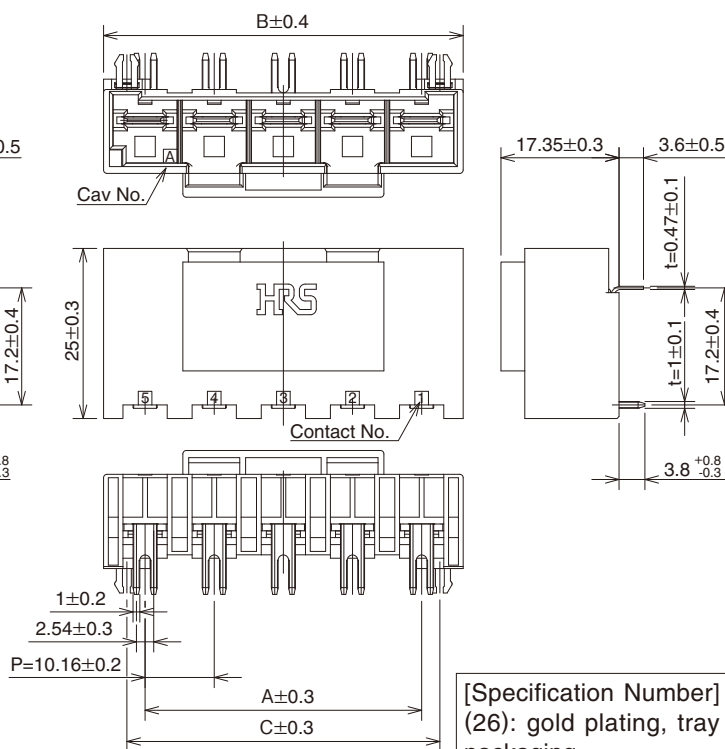
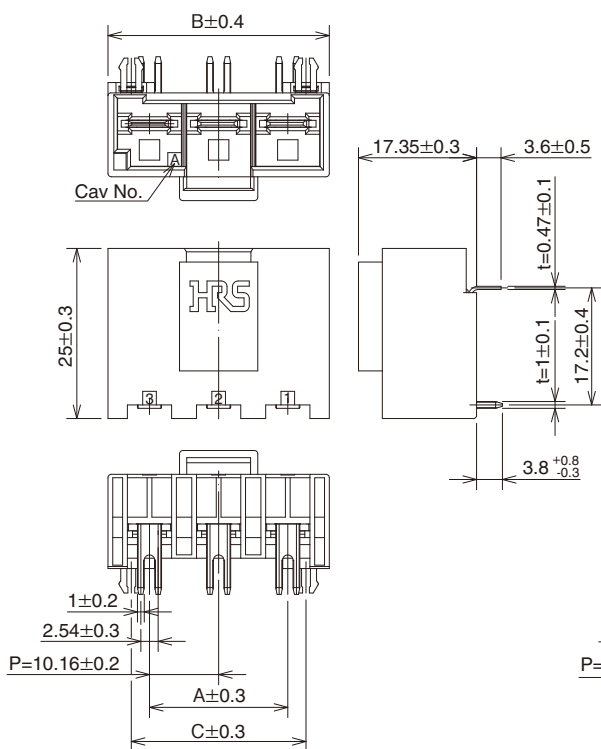
### PCB Layout

(Recommended thickness of PCB:  $t=1.6\pm0.1$ mm)



### Headers with 1 to 4 contacts

### Headers with 5 to 6 contacts



[Specification Number]  
(26): gold plating, tray packaging

Unit: mm

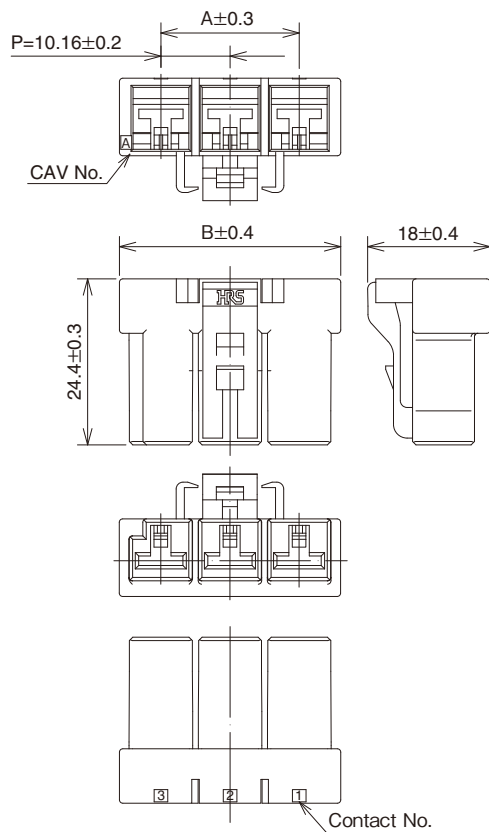
| Part Number         | HRS No.       | No. of Contacts | A     | B     | C     | Quantity per package |
|---------------------|---------------|-----------------|-------|-------|-------|----------------------|
| DF60-1P-10.16DS(26) | 680-3015-1-26 | 1               | —     | 15.2  | 8.35  | 120                  |
| DF60-2P-10.16DS(26) | 680-3016-4-26 | 2               | 10.16 | 22.36 | 15.51 | 72                   |
| DF60-3P-10.16DS(26) | 680-3017-7-26 | 3               | 20.32 | 32.52 | 25.67 | 48                   |
| DF60-4P-10.16DS(26) | 680-3018-0-26 | 4               | 30.48 | 42.68 | 35.83 | 36                   |
| DF60-5P-10.16DS(26) | 680-3019-2-26 | 5               | 40.64 | 52.84 | 45.99 | 24                   |
| DF60-6P-10.16DS(26) | 680-3020-1-26 | 6               | 50.8  | 63    | 56.15 | 24                   |

(Note) Please place orders in full lot quantities.

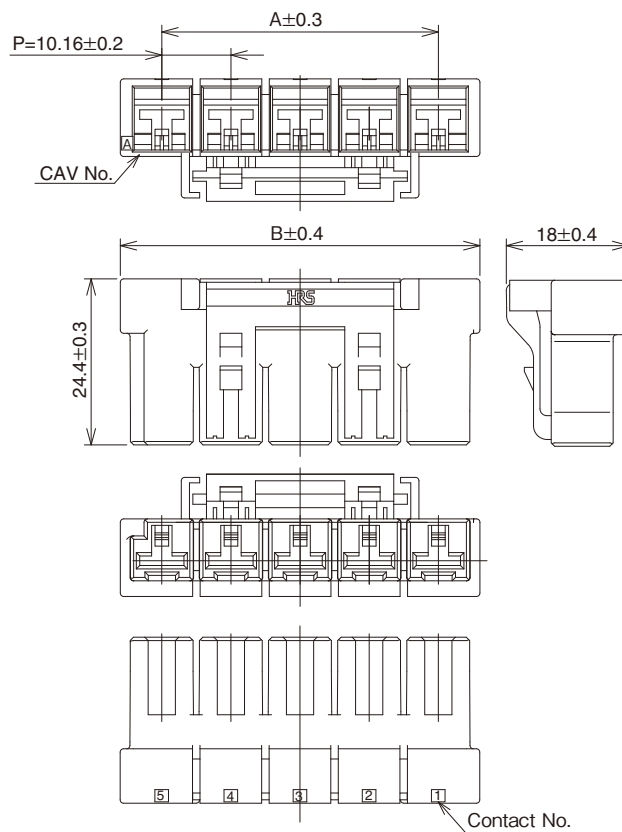
## ■ Crimp socket



### Sockets with 1 to 4 contacts



### Sockets with 5 to 6 contacts



[Specification Number]  
None: 1 package = 100 pieces

Unit: mm

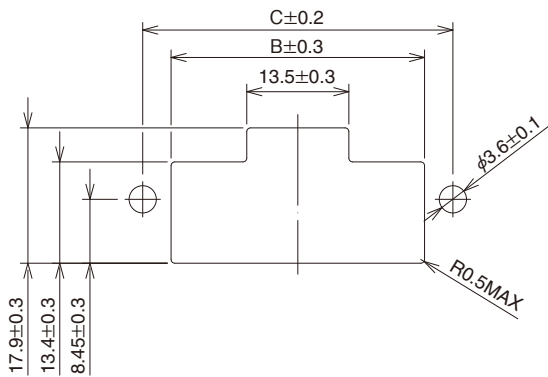
| Part Number    | HRS No.    | No. of Contacts | A     | B     |
|----------------|------------|-----------------|-------|-------|
| DF60-1S-10.16C | 680-3009-9 | 1               | —     | 15.8  |
| DF60-2S-10.16C | 680-3010-8 | 2               | 10.16 | 22.36 |
| DF60-3S-10.16C | 680-3002-0 | 3               | 20.32 | 32.52 |
| DF60-4S-10.16C | 680-3011-0 | 4               | 30.48 | 42.68 |
| DF60-5S-10.16C | 680-3012-3 | 5               | 40.64 | 52.84 |
| DF60-6S-10.16C | 680-3013-6 | 6               | 50.8  | 63    |

(Note) Please place orders in full lot quantities.

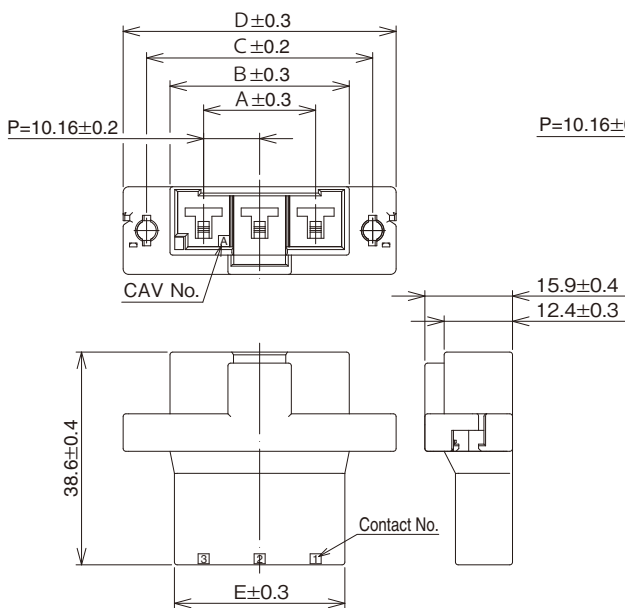
## In-line plug



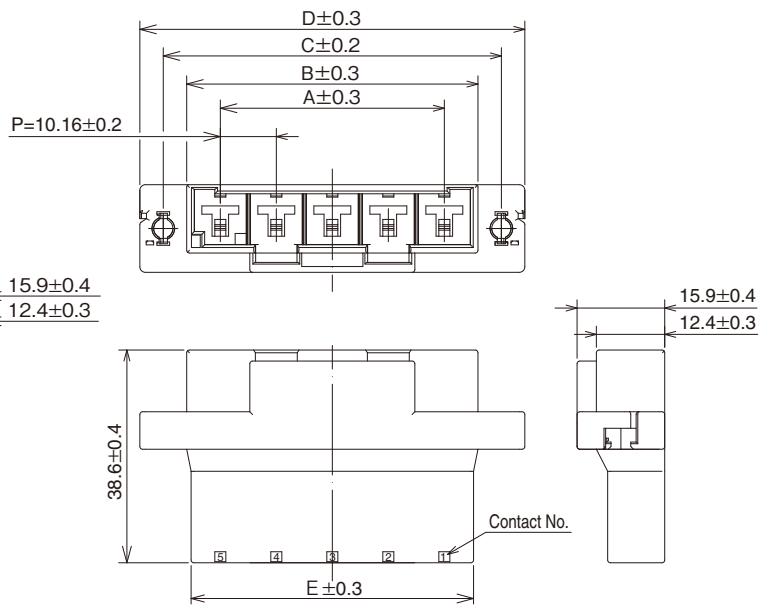
The torque value for attaching screws is 49N  
Panel cutout



### In-line plugs with 2 to 4 pos



### In-line plug with 5 pos.



[Specification Number]  
None: 1 package = 100 pieces

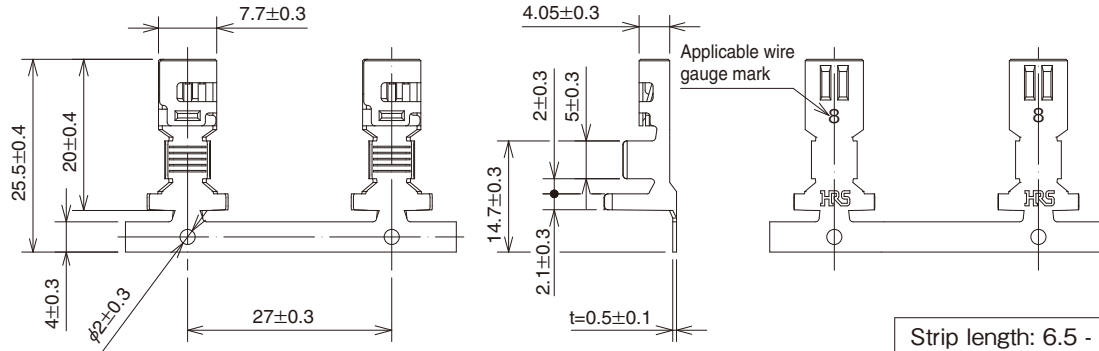
Unit: mm

| Part Number     | HRS No.    | No. of Contacts | A     | B     | C     | D     | E     |
|-----------------|------------|-----------------|-------|-------|-------|-------|-------|
| DF60-2EP-10.16C | 680-3025-5 | 2               | —     | 22.36 | 30.86 | 39.36 | 20.76 |
| DF60-3EP-10.16C | 680-3026-8 | 3               | 20.32 | 32.52 | 41.02 | 49.52 | 30.92 |
| DF60-4EP-10.16C | 680-3027-0 | 4               | 30.48 | 42.68 | 51.18 | 59.68 | 41.08 |
| DF60-5EP-10.16C | 680-3028-3 | 5               | 40.64 | 52.84 | 61.34 | 69.84 | 51.24 |

(Note) Please place orders in full lot quantities



## ■ Socket crimp contact



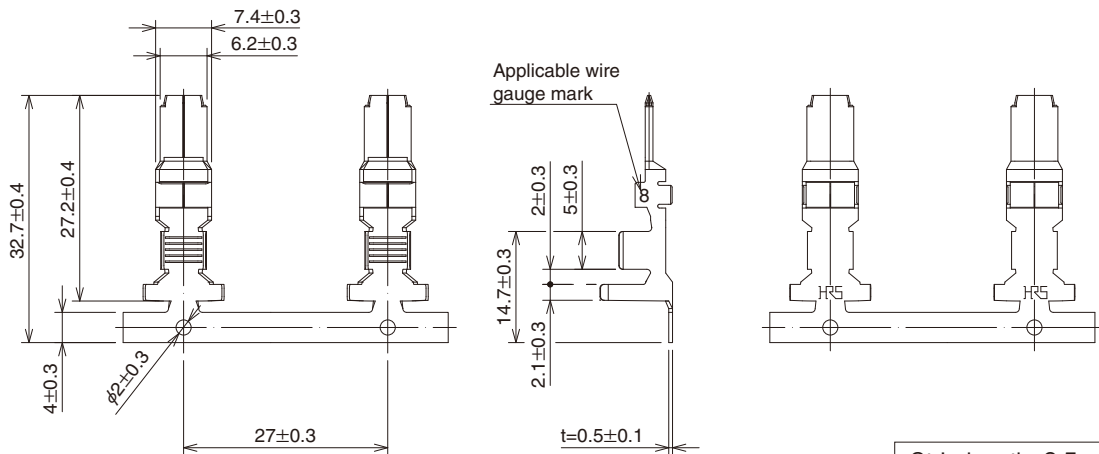
Strip length: 6.5 - 7.5mm

| Part No.      | HRS No.    | Applicable wires |                 |           |                |               |          |
|---------------|------------|------------------|-----------------|-----------|----------------|---------------|----------|
|               |            | UL               | Jacket Diameter | Wire size | Core structure | Package style | Quantity |
| DF60-8SCFA    | 680-3003-2 | UL1283           | 4.9~7.8         | AWG # 8   | 7/24/0.26      | Reel          | 700      |
| DF60-8SCA     | 680-3021-4 |                  |                 |           |                | Loose         | 100      |
| DF60-1012SCFA | 680-3014-9 | UL1015           | 4~5.2           | AWG # 10  | 67/0.32        | Reel          | 900      |
| DF60-1012SCA  | 680-3022-7 |                  |                 | AWG # 12  | 43/0.32        | Loose         | 100      |

(Note) The applicable wires are tin-plated and annealed.

(Note) Please contact our Sales Department when using wires other than those listed.

## ■ Crimp contact for in-line plugs



Strip length: 6.5 - 7.5mm

| Part No.      | HRS No.    | Applicable wires |                 |           |                |               |          |
|---------------|------------|------------------|-----------------|-----------|----------------|---------------|----------|
|               |            | UL               | Jacket Diameter | Wire size | Core structure | Package style | Quantity |
| DF60-8PCFA    | 680-3023-0 | UL1283           | 4.9~7.8         | AWG # 8   | 7/24/0.26      | Reel          | 700      |
| DF60-8PCA     | 680-3048-0 |                  |                 |           |                | Loose         | 100      |
| DF60-1012PCFA | 680-3024-2 | UL1015           | 4~5.2           | AWG # 10  | 67/0.32        | Reel          | 900      |
| DF60-1012PCA  | 680-3049-3 |                  |                 | AWG # 12  | 43/0.32        | Loose         | 100      |

(Note) The applicable wires are tin-plated and annealed.

(Note) Please contact our Sales Department when using wires other than those listed.

## ◆ Applicable crimping tool

| Item       | Part Number                     | HRS No.                            | Applicable contact   |
|------------|---------------------------------|------------------------------------|--|
| Applicator | AP105-DF60-8<br>AP105-DF60-1012 | CL901-4623-5<br>CL901-4624-8       | DF60-8SCFA / PCFA<br>DF60-1012SCFA / PCFA  |
| Hand tool  | HT103/DF60-8<br>HT103/DF60-1012 | CL550-0302-7-00<br>CL550-0303-0-00 | DF60-8SCA / PCA<br>*Exclusive for UL1283 AWG8<br>DF60-1012SCA / PCA<br>*Exclusive for UL1005<br>AWG10,12 |

(Note 1) Please use a press that generates 3.5tons.

(Note 2) Please contact our Sales Department when you are using crimp tools made by other manufacturers.

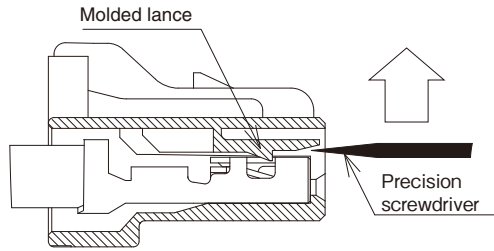
(Note 3) Please do the crimping operations according to the "Crimping work standards" and "Crimping condition table".



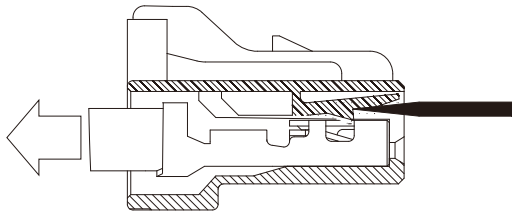
## ◆ Removing Contacts

- Contact extraction tool: precision screwdriver (flathead screwdriver with 1.4mm in width across flats)
- For Crimp contacts: DF60-8SC(F)A, DF60-1012SC(F)A, DF60-8PC(F)A, DF60-1012PC(F)A
- Procedure

Sectioned drawing of the housing



Before attempting to remove any contacts, make sure that the power is switched off and the system is de-energized.



1. After unmating the parts, position the screwdriver to raise the lance as shown in the illustration.

2. The lance needs to be raised sufficiently to allow the terminated wire to slip past it. The lance needs to be held up while at the same time pulling on the wire

Due to any previous repairs, the strength of the lance could have been compromised. Hirose recommends the use of a new crimp housing to assure proper performance.

### Caution

Please be very careful when removing the contact work so that you don't become injured by the protruding part of the crimp contact.

## ◆ Precautions for use

1. The connector could be damaged if it is pulled out forcibly. When it is hard to pull out, push it in slightly first and then depress the lock and un-mate.
2. When thick, short sections of wire are used, the connector could be deformed due to the force of the wires' position. Route cables in such a way that they do not twist when being installed.
3. Make sure to turn off the power when mating or un-mating the connector.
4. Please do not touch any area around the contact part with your hand when the power is on; it could be very dangerous.
5. Please contact our Sales Department about the assembly procedure and the instruction manual.

## ◆ Rated values

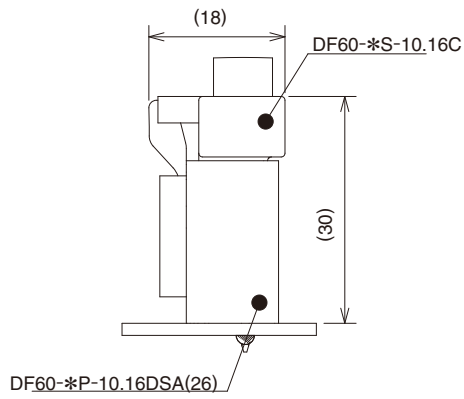
Please avoid using the device above the rated values. Also, do not insert or pull out energized or "live" wires.

## ◆ Operating environment

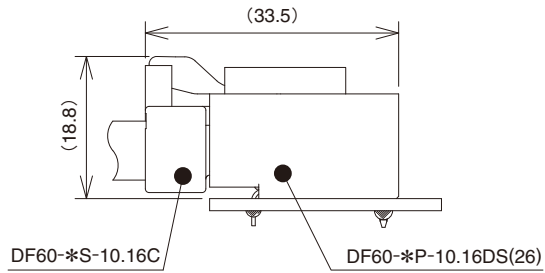
Please contact us if you are designing this connector into environmental conditions where high and low temperatures are repeated.

## ◆ Mated dimensions

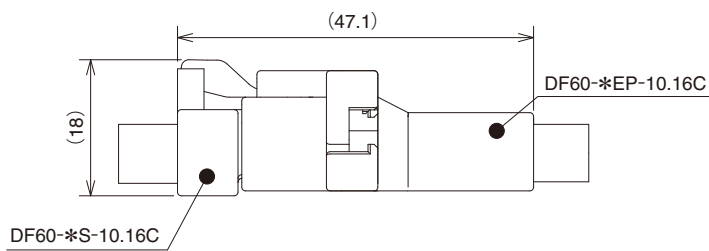
### ● Board-to-Wire Connection using the straight pin header



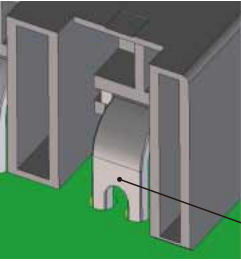
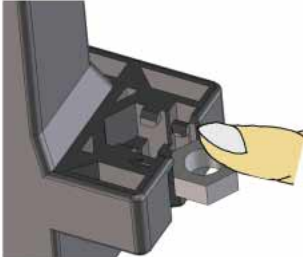
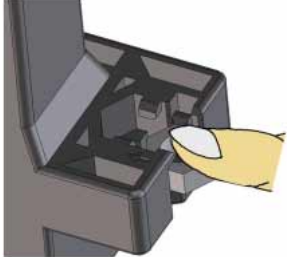
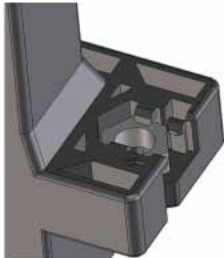
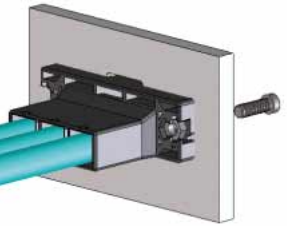
### ● Board-to-Wire Connection using the right angle pin header.



### ● In-line or Wire-to-Wire Connection



## ◆ Precautionary notes

|  |  |
|--|--|
| <p>1. Recommended soldering conditions</p>               | <ul style="list-style-type: none"> <li>■ Soldering profile when using an automatic soldering device<br/>Soldering temperature: 260°C ; Soldering time: no more than 10 seconds</li> <li>■ Hand soldering conditions<br/>Temperature of soldering iron: 350±10°C , soldering time: no more than 3 seconds</li> </ul>  |
| <p>2. Cleaning Conditions</p>                            | <p>Please refer to the "Nylon Connector Guide".<br/>Cleaning with IPA is allowed. (Other cleaning agents are not recommended due to the fact that it may change the push/pull feeling. Please contact us when you use other cleaning agents. )</p>   |
| <p>3. Wiring condition</p>                               | <p>Please refer to the "Nylon Connector Guide" and "DF60 Harness procedure".</p>   |
| <p>4. Important notes</p>                                | <ul style="list-style-type: none"> <li>■ Caution is required for mating and un-mating the connector without it being mounting on a PCB. Doing so can damage or deform the contacts.</li> <li>■ During hand soldering, do not apply excess amounts flux which can migrate on to the connector.</li> <li>■ This product may have a slight differences in color depending on the production lot. This difference does not have any influence on the performance.</li> <li>■ Please refer to "DF60 Harness procedure" for the handling precautions during mating and un-mating operations.</li> </ul>  |
| <p>5. Handling instructions</p>                          | <p>Please refer to the "Nylon Connector Guide".</p>  |
| <p>6. Right angle pin header<br/>Precautions for use</p> | <div style="display: flex; align-items: center;">  <div style="margin-left: 20px;"> <p>Since the lead mounting part has some exposed parts, please insure sufficient clearance when mounting other parts near this connector.</p> </div> </div> <p style="margin-left: 400px;">Lead part</p>   |
| <p>7. In-line connector<br/>Panel fixing operation</p>   | <div style="display: flex; justify-content: space-between;"> <div style="width: 45%;"> <p>① Insert a M3 nut from the lateral direction.</p>  </div> <div style="width: 45%;"> <p>② Push the nut in the direction of the arrow.</p>  </div> </div> <div style="display: flex; justify-content: space-between; margin-top: 20px;"> <div style="width: 45%;"> <p>③ Nut insertion is then complete.</p>  </div> <div style="width: 45%;"> <p>④ Panel mounting is completed by installing a connector on the panel cutout hole and tightening with a M3 screw. Torque value is 49N-cm max.</p>  </div> </div> |

**USA:**

**HIROSE ELECTRIC (U.S.A.), INC. Headquarters**  
2688 Westhills Court, Simi Valley, CA 93065-6235  
Phone : +1-805-522-7958  
Fax : +1-805-522-3217  
<http://www.hiroseusa.com>

**USA:**

**HIROSE ELECTRIC (U.S.A.), INC. San Jose Office**  
3255 Scott Boulevard, Building 7, Suite 101  
Santa Clara, CA 95054  
Phone : +1-408-253-9640  
Fax : +1-408-253-9641  
<http://www.hiroseusa.com>

**USA:**

**HIROSE ELECTRIC (U.S.A.), INC. Detroit Office (Automotive)**  
37677 Professional Center Drive, Suite #100C  
Livonia, MI 48154  
Phone : +1-734-542-9963  
Fax : +1-734-542-9964  
<http://www.hiroseusa.com>

**THE NETHERLANDS:**

**HIROSE ELECTRIC EUROPE B.V.**  
Hogehillweg #8 1101 CC Amsterdam Z-O  
Phone : +31-20-6557460  
Fax : +31-20-6557469  
<http://www.hiroseeurope.com>

**GERMANY:**

**HIROSE ELECTRIC EUROPE B.V. German Branch**  
Herzog-Carl-Strasse 4 D-73760 Ostfildern  
(Scharnhauser Park)  
Phone : +49-711-4560-02-1  
Fax : +49-711-4560-02-299  
<http://www.hirose.de>

**UNITED KINGDOM:**

**HIROSE ELECTRIC EUROPE B.V. UK Branch**  
22 Vincent Avenue, Crownhill Business  
Centre, Crownhill, Milton Keynes, MK8 0AB  
Phone : +44-1908-305750  
Fax : +44-1908-305768  
<http://www.hirose.co.uk>

**CHINA:**

**HIROSE ELECTRIC TRADING (SHANGHAI) CO., LTD.**  
1601, Henderson Metropolitan, NO.300, East Nanjing  
Road, Huangpu District, Shanghai, China 200001  
Phone : +86-21-6391-3355  
Fax : +86-21-6391-3335  
<http://www.hirose-china.com.cn>

**CHINA:**

**HIROSE ELECTRIC TRADING (SHANGHAI) CO., LTD. Beijing Branch**  
A1001, Ocean International Center, Building 56# East 4th  
Ring Middle Road, Chao Yang District, Beijing, 100025  
Phone : +86-10-5165-9332  
Fax : +86-10-5908-1381  
<http://www.hirose-china.com.cn>

**CHINA:**

**HIROSE ELECTRIC TECHNOLOGIES (SHENZHEN) CO., LTD.**  
Room 09-13, 19/F, Office Tower Shun Hing Square, Di Wang Commercial Centre  
5002, ShenNanDong Road, ShenZhen City, Guangdong Province, 518008  
Phone : +86-755-8207-0851  
Fax : +86-755-8207-0873  
<http://www.hirose-china.com.cn>

**HONG KONG:**

**HIROSE ELECTRIC HONGKONG TRADING CO., LTD.**  
Room 1001, West Wing, Tsim Sha Tsui Centre, 66  
Mody Road, Tsim Sha Tsui East, Kowloon, Hong Kong  
Phone : +852-2803-5338  
Fax : +852-2591-6560  
<http://www.hirose-hongkong.com.hk>

**TAIWAN:**

**HIROSE ELECTRIC TAIWAN CO., LTD.**  
103 8F, No.87, Zhengzhou Rd., Taipei  
Phone : +886-2-2555-7377  
Fax : +886-2-2555-7350  
<http://www.hirose-taiwan.com.tw>

**KOREA:**

**HIROSE KOREA CO., LTD.**  
1261-10, Jeoungwhang-Dong, Shihung-City,  
Kyunggi-Do 429-450  
Phone : +82-31-496-7000, 7124  
Fax : +82-31-496-7100  
<http://www.hirose.co.kr>

**SINGAPORE:**

**HIROSE ELECTRIC SINGAPORE PTE. LTD.**  
10 Anson Road #26-1 International Plaza  
079903  
Phone : +65-6324-6113  
Fax : +65-6324-6123  
<http://www.hirose-singapore.com.sg>

**INDIA:**

**HIROSE ELECTRIC SINGAPORE PTE. LTD. Bangalore Liaison office**  
Unit No.03, Ground Floor, Explorer Building International Tech  
Park Whitefield Road, Bangalore 560066 Karnataka, India  
Phone : +65-6324-6113  
Fax : +65-6324-6123  
<http://www.hirose-singapore.com.sg>

**INDIA:**

**HIROSE ELECTRIC SINGAPORE PTE. LTD Delhi Liaison Office**  
Suite No. 606 5th Floor SB Tower 1A/1 Sector  
16 A Filmcity Noida 201301 Uttar Pradesh-India  
Phone : +91-120-4804917  
Fax : +91-120-4804949  
<http://www.hirose.com/sg/>

**MALAYSIA:**

**HIROSE ELECTRIC SINGAPORE PTE. LTD (Representative office)**  
1-10-07, Suntech @ Penang Cybercity (1164), Lintang  
Mayang Pasir 3, 11950, Bayan Baru, Penang, Malaysia.  
Phone : +604-619-2564  
Fax : +604-619-2574  
<http://www.hirose.com/sg/>



**HIROSE ELECTRIC CO., LTD.**

6-3, Nakagawa Chuoh-2-Chome, Tsuzuki-Ku, Yokohama-Shi 224-8540, JAPAN  
TEL: +81-45-620-3526 Fax: +81-45-591-3726  
<http://www.hirose.com>  
<http://www.hirose-connectors.com>



Компания «ЭлектроПласт» предлагает заключение долгосрочных отношений при поставках импортных электронных компонентов на взаимовыгодных условиях!

Наши преимущества:

- Оперативные поставки широкого спектра электронных компонентов отечественного и импортного производства напрямую от производителей и с крупнейших мировых складов;
- Поставка более 17-ти миллионов наименований электронных компонентов;
- Поставка сложных, дефицитных, либо снятых с производства позиций;
- Оперативные сроки поставки под заказ (от 5 рабочих дней);
- Экспресс доставка в любую точку России;
- Техническая поддержка проекта, помощь в подборе аналогов, поставка прототипов;
- Система менеджмента качества сертифицирована по Международному стандарту ISO 9001;
- Лицензия ФСБ на осуществление работ с использованием сведений, составляющих государственную тайну;
- Поставка специализированных компонентов (Xilinx, Altera, Analog Devices, Intersil, Interpoint, Microsemi, Aeroflex, Peregrine, Syfer, Eurofarad, Texas Instrument, Miteq, Cobham, E2V, MA-COM, Hittite, Mini-Circuits, General Dynamics и др.);

Помимо этого, одним из направлений компании «ЭлектроПласт» является направление «Источники питания». Мы предлагаем Вам помощь Конструкторского отдела:

- Подбор оптимального решения, техническое обоснование при выборе компонента;
- Подбор аналогов;
- Консультации по применению компонента;
- Поставка образцов и прототипов;
- Техническая поддержка проекта;
- Защита от снятия компонента с производства.



#### Как с нами связаться

**Телефон:** 8 (812) 309 58 32 (многоканальный)

**Факс:** 8 (812) 320-02-42

**Электронная почта:** [org@eplast1.ru](mailto:org@eplast1.ru)

**Адрес:** 198099, г. Санкт-Петербург, ул. Калинина, дом 2, корпус 4, литера А.