



HAMMOND
MANUFACTURING™

**Equipment
Enclosures**



Datacom

**Electronic
Racks & Cabinets**



9R1V2011

When you choose Hammond - you choose...

Experience:

Building quality racks & cabinets for over 60 years!



Sampling from our oldest surviving catalog (G53 - printed in 1939)

STANDARD 19" PANELS—Notched for standard racks

| 3' 16" Aluminum - Plain | | | | 3' 16" Aluminum-Black Wrinkle | | | | 1' 16" Steel - Black Wrinkle | | | |
|-------------------------|---------------|------------|------------|-------------------------------|---------------|------------|------------|------------------------------|---------------|------------|------------|
| Cat. No. | Height Inches | Rack Units | List Price | Cat. No. | Height Inches | Rack Units | List Price | Cat. No. | Height Inches | Rack Units | List Price |
| 1471 | 1 1/2 | 1 | \$1.50 | 1471A | 1 1/2 | 1 | \$1.60 | 1482 | 3 1/2 | 2 | \$6.50 |
| 1472 | 3 | 2 | 2.50 | | | | | | | | |
| 1473 | 4 1/2 | 3 | 3.50 | | | | | | | | |
| 1474 | 6 | 4 | 4.50 | | | | | | | | |
| 1475 | 7 1/2 | 5 | 5.50 | | | | | | | | |
| 1476 | 9 | 6 | 6.50 | | | | | | | | |
| 1477 | 10 1/2 | 7 | 7.50 | | | | | | | | |
| 1478 | 12 | 8 | 8.50 | | | | | | | | |

CABINETS and RACKS

Type 1460 Cabinet
Standard Cabinet, with double rear doors and connection panel, tapped for 23 1/2" of standard panels (13 rack units). Solid welded construction—on both—rounded corners, finished in either black or grey wrinkle enamel. Overall height 24 1/2", net weight 32 lbs.
List Code
\$18.00 Libr

Type 1461 Cabinet
Similar to type 1460, height 30" overall for 28" of standard panels (16 rack units), net weight 37 lbs.
\$24.00 Libr

Type 1462 Cabinet
A New Transmitter Cabinet which will enhance the appearance of your equipment and make it self-contained section construction for lasting rigidity. These cabinets have double rear doors, which conserve space, connection panel for two BX and two socket connections, also double side walls which eliminate weighty top flange. Tapped and tapped 10-32 for 61 1/2" of panels (33 rack units). Complete with chassis support brackets and provision for attaching H & H interlocking sections. Supplied in black or grey wrinkle enamel. Dimensions 20" wide, 16" deep, 66 1/2" high, net weight 133 lbs. List—\$66.00 Code—Libro

Type 1463 Cabinet
Similar in construction to 1462 but has 60 1/2" of panel space (36 rack units). Dimensions 20" wide, 16" deep, 83 1/2" high, net weight 137 lbs. List—\$72.00 Code—Libro

STANDARD RACKS

Type 1466
This improved Telephone Type Rack is rigidly air welded, jig-drawn and tapped 10-32 for 61" of standard panels (36 rack units) and finished in black or grey wrinkle enamel. Dimensions: 20 1/2" wide, 15" deep, 69 1/2" high, net weight 95 lbs. List—\$32.75 Code—Libre

Type 1467
Steeper construction as Type 1466—for 77" of panels (44 rack units). Dimensions: 20 1/2" wide, 15" deep, 85 1/2" high, net weight 105 lbs. List—\$49.00 Code—Libre

PERFORATED COVERS
all standard chassis and complete with mounting handles. Black wrinkle finish. Height 3 1/4".
Type
A1480—for 1440 chassis
A1482—for 1442 chassis
A1483—for 1443 & 1445 chassis
A1484—for 1444 & 1449 chassis
A1486—for 1446 chassis
A1487—for 1447 chassis
A1488—for 1448 chassis

UNIVERSAL CABINET PARTS
Black Wrinkle Enamel Finish. Tapped 10-32 for Standard Panels. (Screws and Bolts supplied).

11" Type (11" Front to Back)

| List Code | Description | List Price |
|-----------|---------------------|----------------|
| 1491 | Top Cover | \$1.00 |
| 1492 | Hinged Lid Assembly | 2.00 |
| 1493 | Cabinet End—5 1/2" | 1.25 pr. LxRth |
| 1494 | Cabinet End—7" | 1.40 pr. LxRth |
| 1495 | Cabinet End 8 1/2" | 1.60 pr. LxRth |
| 1496 | Cabinet End—10 1/2" | 1.80 pr. LxRth |
| 1497 | Cabinet End—12 1/2" | 2.00 pr. LxRth |
| 1498 | Cabinet End—14" | 2.20 pr. LxRth |

16" Type (16" Front to Back)

| List Code | Description | List Price |
|-----------|---------------------|----------------|
| 1491A | Top Cover | \$1.25 |
| 1492A | Hinged Lid Assembly | 2.25 |
| 1493A | Cabinet End—5 1/2" | 1.50 pr. LxRth |
| 1494A | Cabinet End—7" | 1.60 pr. LxRth |
| 1495A | Cabinet End—8 1/2" | 2.00 pr. LxRth |
| 1496A | Cabinet End—10 1/2" | 2.20 pr. LxRth |
| 1497A | Cabinet End—12 1/2" | 2.50 pr. LxRth |
| 1498A | Cabinet End—14" | 2.80 pr. LxRth |

HANDLES For Amplifier Cases, Perforated Covers, etc.
1427—Moderate Satin Finish Steel \$9.40 ea. LxRth
1428—Heavy Duty Leather Type .40 ea. LxRth

BRACKETS For Mounting Chassis to Racks or Panels
1453—2 x 3 1/2" \$9.20 pr. LxRth
1454—3 1/2" x 9 1/2" .30 pr. LxRth

SPEAKER CABINETS

Type 1407
Deluxe Cabinet for 16" or 8" speakers (adapter ring supplied)—rounded front edges, acoustically sound-proofed walls accommodate small amplifier—Black Wrinkle finish. Dimensions 8 x 11 x 14" high, weight 8 1/2 lbs.
List—\$8.00 Code—Libro

Type 1408
For Talkback units using 6" speaker—rounded corners—Steel Grill over speaker. Black Wrinkle finish. Dimensions 8 x 8 x 8" high. Net weight 3 lbs.
List—\$8.00 Code—Libro

TURNTABLE CABINET

Type 1409
Supplied with angle brackets for mounting on Standard Racks or Cabinets. Black Wrinkle finish. Dimensions 17 x 11 x 7" high. Net weight 9 lbs.
List—\$7.50 Code—Libby

HAMMOND MANUFACTURING COMPANY
GUELPH - ONTARIO - CANADA

Support:

In stock factory & distributor inventory!



The best products in the world are no good to you if you can't get them!

We have teamed up with the best stocking distributors to serve you quickly and efficiently. Distributor stock with back up factory stock in our 90,000 sq. ft. central warehouse.

Table Top Rack Cabinets

Pages 3-14



Table Top

Wall Mount Racks

Pages 15-18



Wall Mount

Relay Racks

Pages 19-30



Relay

Knockdown Rack Cabinets

Pages 31-40



Knockdown

Welded Rack Cabinets

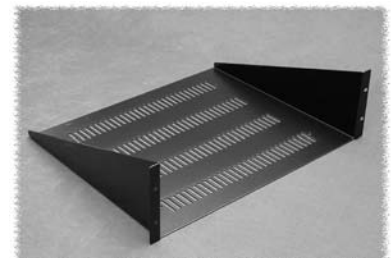
Pages 41-86



Welded

Accessories

Pages 87-131



Accessories

EUROPE

Basingstoke, UK 01256 812812

AUSTRALIA

Queenstown SA, Australia 61-8-8240-2244



CANADA

Guelph, Ontario (519) 822-2960
St. Laurent, Quebec (514) 343-9010

USA

Cheektowaga, NY (716) 630-7030



Contents

Table Top

| DESCRIPTION | SERIES | PAGE |
|---------------------|-------------|------|
| Light Duty | RCBS | 4 |
| Heavy Duty | RCHS | 6 |
| Heavy Duty - Vented | RCHV | 8 |
| Rack Mountable | RM | 10 |
| Rack Mountable | RMCS & RMCV | 12 |
| Open Type | RRTT | 14 |

Wall Mount

| DESCRIPTION | SERIES | PAGE |
|-------------|-----------|------|
| Fixed Frame | 1459 | 16 |
| Bracket | HPB & APB | 17 |
| Swing Out | SWC | 18 |

Relay

| DESCRIPTION | SERIES | PAGE |
|------------------------|-----------|------|
| Light Duty - Welded | DNRR_LDW | 20 |
| Light Duty - K.D. | DNRR_LDK | 21 |
| Heavy Duty - Welded | DNRR_HDW | 22 |
| Heavy Duty - K.D. | DNRR_HDKB | 23 |
| Heavy Duty Accessories | | 24 |
| Aluminum - K.D. | RRAL | 27 |

| DESCRIPTION | SERIES | PAGE |
|-------------------------------------|----------|------|
| Aluminum - Accessories | | 28 |
| Deep Channel - K.D. | DNRR_DCK | 29 |
| Aluminum & Deep Channel Accessories | | 30 |

Knockdown

| DESCRIPTION | SERIES | PAGE |
|-------------------|--------|------|
| SOHO Rack Cabinet | RCSC | 32 |
| Rack Cabinet | REFK | 34 |
| Accessories | | 38 |

Welded

| DESCRIPTION | SERIES | PAGE |
|-------------------|--------|------|
| Assembled: | | |
| General Purpose | C2RR | 42 |
| LAN/DATA | C2RR | 44 |
| Server | C2RR | 46 |
| Co-Location | COLO | 48 |

| DESCRIPTION | SERIES | PAGE |
|-------------------------|--------------|------|
| Component: | | |
| Contempra 2 | C2 - 19" | 51 |
| Contempra 2 Accessories | | 53 |
| Contempra 2 | C2 - 24" | 65 |
| Contempra 2 Accessories | | 67 |
| Contempra 3 | C3 (NEMA 12) | 78 |
| Contempra 3 Accessories | | 81 |

Accessories

| DESCRIPTION | SERIES | PAGE |
|-------------------|--------|------|
| Panels & Adaptors | | 90 |
| Ventilated Panels | | 92 |
| Doors & Chassis | | 94 |
| Shelves & Slides | | 95 |
| Keyboard Shelves | | 100 |
| Drawers | | 101 |

| DESCRIPTION | SERIES | PAGE |
|------------------|--------|------|
| Cable Management | | 102 |
| Cooling | | 105 |
| Outlet Strips | | 110 |
| Handles | | 123 |
| Hardware | | 127 |
| Miscellaneous | | 129 |





Table Top Rack Cabinets



Light Duty (RCBS Series)

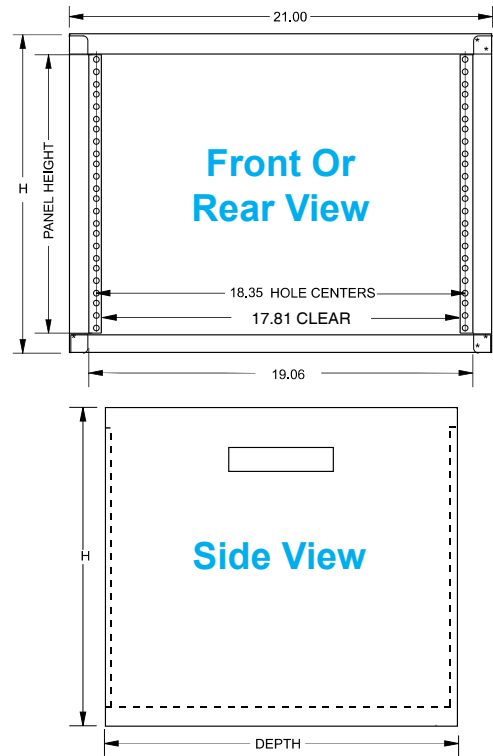
Table Top



Light Gray (Textured)



Black (Textured)



[For complete drawing information link here to our website covering this series.](#)

FEATURES

- Welded, 16-gauge steel construction
- Light duty - economy 19" rack mount - table top cabinet
- Choice of three depths - 13" (330 mm), 17.5" (445 mm) and 24.5" (622 mm)
- Rails are fixed both front and rear, round hole punched for 10-32 clip-nuts to full EIA hole centers (5/8 - 5/8 - 1/2 inch spacing)
- Recommended maximum weight (RCBS1901417 tested) - 600 pounds (273 kg)
- Includes rubber feet, two lifting handles, a starter pack of 10-32 clip nuts & matching quantity of 1421ABK black screws
- Overall width 21" (533 mm)
- Overall height 2" (51 mm) additional over panel height
- Rugged textured powder paint finish
- Stocked in Black & Light Gray (RAL7035)

4



CANADA

Guelph, Ontario (519) 822-2960
St. Laurent, Quebec (514) 343-9010

USA

Cheektowaga, NY (716) 630-7030



EUROPE

Basingstoke, UK 01256 812812

AUSTRALIA

Queenstown SA, Australia 61-8-8240-2244

Light Duty (RCBS Series)

13" (330 mm) Deep

| Part Number | | Panel Height | | Overall Dimensions | | | Number of Clip Nuts Included | Weight |
|----------------|---------------------|--------------|-------|--------------------|----------------|----------------|------------------------------|---------------|
| Black Textured | Light Gray Textured | Inches | Units | Height | Width | Depth | | |
| RCBS1900313BK1 | RCBS1900313LG1 | 3.50 | 2U | 5.50" (140 mm) | 21.0" (533 mm) | 13.0" (330 mm) | 8 | 18# (8.2 kg) |
| RCBS1900513BK1 | RCBS1900513LG1 | 5.25 | 3U | 7.25" (184 mm) | 21.0" (533 mm) | 13.0" (330 mm) | 8 | 18# (8.2 kg) |
| RCBS1900713BK1 | RCBS1900713LG1 | 7.00 | 4U | 9.00" (229 mm) | 21.0" (533 mm) | 13.0" (330 mm) | 8 | 19# (8.6 kg) |
| RCBS1900813BK1 | RCBS1900813LG1 | 8.75 | 5U | 10.75" (273 mm) | 21.0" (533 mm) | 13.0" (330 mm) | 16 | 20# (9.1 kg) |
| RCBS1901013BK1 | RCBS1901013LG1 | 10.50 | 6U | 12.50" (318 mm) | 21.0" (533 mm) | 13.0" (330 mm) | 16 | 21# (9.5 kg) |
| RCBS1901213BK1 | RCBS1901213LG1 | 12.25 | 7U | 14.25" (362 mm) | 21.0" (533 mm) | 13.0" (330 mm) | 16 | 23# (10.5 kg) |
| RCBS1901413BK1 | RCBS1901413LG1 | 14.00 | 8U | 16.00" (406 mm) | 21.0" (533 mm) | 13.0" (330 mm) | 16 | 24# (10.9 kg) |

Table Top

17.5" (444 mm) Deep

| Part Number | | Panel Height | | Overall Dimensions | | | Number of Clip Nuts Included | Weight |
|----------------|---------------------|--------------|-------|--------------------|----------------|----------------|------------------------------|---------------|
| Black Textured | Light Gray Textured | Inches | Units | Height | Width | Depth | | |
| RCBS1900317BK1 | RCBS1900317LG1 | 3.50 | 2U | 5.50" (140 mm) | 21.0" (533 mm) | 17.5" (444 mm) | 8 | 22# (10 kg) |
| RCBS1900517BK1 | RCBS1900517LG1 | 5.25 | 3U | 7.25" (184 mm) | 21.0" (533 mm) | 17.5" (444 mm) | 8 | 24# (10.9 kg) |
| RCBS1900717BK1 | RCBS1900717LG1 | 7.00 | 4U | 9.00" (229 mm) | 21.0" (533 mm) | 17.5" (444 mm) | 8 | 25# (11.4 kg) |
| RCBS1900817BK1 | RCBS1900817LG1 | 8.75 | 5U | 10.75" (273 mm) | 21.0" (533 mm) | 17.5" (444 mm) | 16 | 27# (12.3 kg) |
| RCBS1901017BK1 | RCBS1901017LG1 | 10.50 | 6U | 12.50" (318 mm) | 21.0" (533 mm) | 17.5" (444 mm) | 16 | 28# (12.7 kg) |
| RCBS1901217BK1 | RCBS1901217LG1 | 12.25 | 7U | 14.25" (362 mm) | 21.0" (533 mm) | 17.5" (444 mm) | 16 | 28# (12.7 kg) |
| RCBS1901417BK1 | RCBS1901417LG1 | 14.00 | 8U | 16.00" (406 mm) | 21.0" (533 mm) | 17.5" (444 mm) | 16 | 30# (13.6 kg) |

24.5" (622 mm) Deep

| Part Number | | Panel Height | | Overall Dimensions | | | Number of Clip Nuts Included | Weight |
|----------------|---------------------|--------------|-------|--------------------|----------------|----------------|------------------------------|---------------|
| Black Textured | Light Gray Textured | Inches | Units | Height | Width | Depth | | |
| RCBS1900324BK1 | RCBS1900324LG1 | 3.50 | 2U | 5.50" (140 mm) | 21.0" (533 mm) | 24.5" (622 mm) | 8 | 30# (13.6 kg) |
| RCBS1900524BK1 | RCBS1900524LG1 | 5.25 | 3U | 7.25" (184 mm) | 21.0" (533 mm) | 24.5" (622 mm) | 8 | 32# (14.5 kg) |
| RCBS1900724BK1 | RCBS1900724LG1 | 7.00 | 4U | 9.00" (229 mm) | 21.0" (533 mm) | 24.5" (622 mm) | 8 | 33# (15 kg) |
| RCBS1900824BK1 | RCBS1900824LG1 | 8.75 | 5U | 10.75" (273 mm) | 21.0" (533 mm) | 24.5" (622 mm) | 16 | 33# (15 kg) |
| RCBS1901024BK1 | RCBS1901024LG1 | 10.50 | 6U | 12.50" (318 mm) | 21.0" (533 mm) | 24.5" (622 mm) | 16 | 39# (17.7 kg) |
| RCBS1901224BK1 | RCBS1901224LG1 | 12.25 | 7U | 14.25" (362 mm) | 21.0" (533 mm) | 24.5" (622 mm) | 16 | 39# (17.7 kg) |
| RCBS1901424BK1 | RCBS1901424LG1 | 14.00 | 8U | 16.00" (406 mm) | 21.0" (533 mm) | 24.5" (622 mm) | 16 | 41# (18.6 kg) |

UNIVERSAL ACCESSORIES

- Rack panels [Page 90](#)
- Ventilated rack panels [Page 92](#)
- Panel mount doors & chassis [Page 94](#)
- Shelves & slides [Page 95](#)
- Drawers [Page 101](#)
- Cable management [Page 102](#)
- Cooling [Page 105](#)
- Rack mount outlet strips [Page 110](#)
- Hardware [Page 127](#)
- Visit our web site for our most [recent accessories](#)

For complete drawings [link here to our RCBS series on-line.](#)

EUROPE

Basingstoke, UK 01256 812812

AUSTRALIA

Queenstown SA, Australia 61-8-8240-2244



CANADA

Guelph, Ontario (519) 822-2960
St. Laurent, Quebec (514) 343-9010

USA

Cheektowaga, NY (716) 630-7030

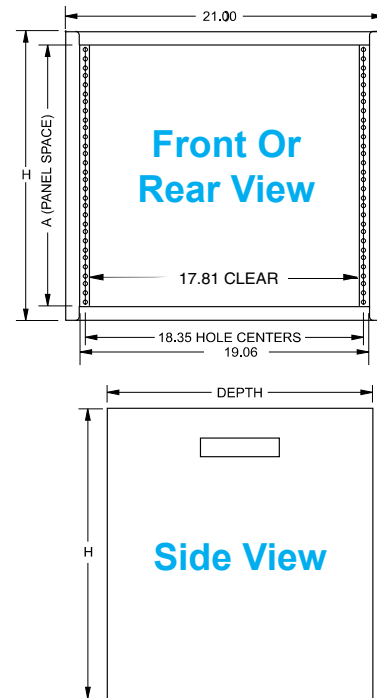


Heavy Duty (RCHS Series)

Table Top



Light Gray (Textured)



[For complete drawing information link here to our website covering this series.](#)

FEATURES

- Heavy duty, 16-gauge steel, 19" rack mount - table top cabinet.
- Choice of three depths - 17.5" (444 mm), 24.5" (622 mm) and 31.5" (800 mm).
- Panel rails are infinitely adjustable (front to back), round hole punched for 10-32 clip-nuts to full EIA hole centers (5/8-5/8-1/2 inch spacing).
- Includes two pairs of rails (for rear support of heavier equipment or shelves), rubber feet, black ABS plastic handles, a starter pack of 10-32 clip nuts & matching 1421ABK black screws.
- Supplied unassembled (four cabinet pieces & four rails), shipped in a flat pack container for shipping ease and protection.
- Simple assembly using one bolt in each corner to lock the sides to the top and bottom (hardware included).
- Overall width 21" (533 mm).
- Overall height 2" (51 mm) additional over panel height.
- Recommended maximum weight (RCHS1902824 tested) - 800 pounds (364 kg).
- Front & back lip is .585" (14 mm) so usable depth is reduced by 1.17" (30 mm).
- Rugged textured powder paint finish.
- Stocked in Black & Light Gray (RAL7035)

17.5" (444 mm) Deep

| Part Number | | Panel Height | | Overall Dimensions | | | Number of Clip Nuts Included | Weight |
|--------------------------------|--------------------------------|--------------|-------|--------------------|----------------|----------------|------------------------------|---------------|
| Black Textured | Light Gray Textured | Inches | Units | Height | Width | Depth | | |
| RCHS1900817BK1 | RCHS1900817LG1 | 8.75 | 5U | 10.75" (273 mm) | 21.0" (533 mm) | 17.5" (444 mm) | 8 | 38# (17.3 kg) |
| RCHS1901017BK1 | RCHS1901017LG1 | 10.50 | 6U | 12.50" (318 mm) | 21.0" (533 mm) | 17.5" (444 mm) | 16 | 40# (18.2 kg) |
| RCHS1901417BK1 | RCHS1901417LG1 | 14.00 | 8U | 16.00" (406 mm) | 21.0" (533 mm) | 17.5" (444 mm) | 16 | 42# (19.1 kg) |
| RCHS1901717BK1 | RCHS1901717LG1 | 17.50 | 10U | 19.50" (495 mm) | 21.0" (533 mm) | 17.5" (444 mm) | 16 | 46# (20.9 kg) |
| RCHS1902217BK1 | RCHS1902217LG1 | 22.75 | 13U | 24.75" (629 mm) | 21.0" (533 mm) | 17.5" (444 mm) | 16 | 54# (24.5 kg) |
| RCHS1902817BK1 | RCHS1902817LG1 | 28.00 | 16U | 30.00" (762 mm) | 21.0" (533 mm) | 17.5" (444 mm) | 16 | 60# (27.3 kg) |



Heavy Duty (RCHS Series)

24.5" (622 mm) Deep

| Part Number | | Panel Height | | Overall Dimensions | | | Number of Clip Nuts Included | Weight |
|----------------|---------------------|--------------|-------|--------------------|----------------|----------------|------------------------------|---------------|
| Black Textured | Light Gray Textured | Inches | Units | Height | Width | Depth | | |
| RCHS1901024BK1 | RCHS1901024LG1 | 10.50 | 6U | 12.50" (318 mm) | 21.0" (533 mm) | 24.5" (622 mm) | 16 | 54# (24.5 kg) |
| RCHS1901424BK1 | RCHS1901424LG1 | 14.00 | 8U | 16.00" (406 mm) | 21.0" (533 mm) | 24.5" (622 mm) | 16 | 56# (25.5 kg) |
| RCHS1901724BK1 | RCHS1901724LG1 | 17.50 | 10U | 19.50" (495 mm) | 21.0" (533 mm) | 24.5" (622 mm) | 16 | 60# (27.3 kg) |
| RCHS1902224BK1 | RCHS1902224LG1 | 22.75 | 13U | 24.75" (629 mm) | 21.0" (533 mm) | 24.5" (622 mm) | 16 | 68# (30.9 kg) |
| RCHS1902824BK1 | RCHS1902824LG1 | 28.00 | 16U | 30.00" (762 mm) | 21.0" (533 mm) | 24.5" (622 mm) | 16 | 76# (35.5 kg) |

Table Top

31.5" (800 mm) Deep

| Part Number | | Panel Height | | Overall Dimensions | | | Number of Clip Nuts Included | Weight |
|----------------|---------------------|--------------|-------|--------------------|----------------|----------------|------------------------------|---------------|
| Black Textured | Light Gray Textured | Inches | Units | Height | Width | Depth | | |
| RCHS1901031BK1 | RCHS1901031LG1 | 10.50 | 6U | 12.50" (318 mm) | 21.0" (533 mm) | 31.5" (800 mm) | 16 | 64# (29.1 kg) |
| RCHS1901431BK1 | RCHS1901431LG1 | 14.00 | 8U | 16.00" (406 mm) | 21.0" (533 mm) | 31.5" (800 mm) | 16 | 68# (30.9 kg) |
| RCHS1901731BK1 | RCHS1901731LG1 | 17.50 | 10U | 19.50" (495 mm) | 21.0" (533 mm) | 31.5" (800 mm) | 16 | 74# (33.6 kg) |
| RCHS1902231BK1 | RCHS1902231LG1 | 22.75 | 13U | 24.75" (629 mm) | 21.0" (533 mm) | 31.5" (800 mm) | 16 | 82# (37.3 kg) |
| RCHS1902831BK1 | RCHS1902831LG1 | 28.00 | 16U | 30.00" (762 mm) | 21.0" (533 mm) | 31.5" (800 mm) | 16 | 92# (41.8 kg) |

RCHS SERIES ACCESSORIES

Casters



- Set of four (4).
- Weight capacity 600# (273 kg).
- Includes mounting hardware.
- Part Number **1425PHD**

Extra Spring Nuts



- Set of eight (8), spring nuts and bolts.
- 1/4" X 20 hardware for horizontal struts.
- Part Number **1421SN**

Extra Panel Rails



- Sold in pairs.
- Includes strut mounting hardware.
- Black clip nuts not included.

Locking Doors



- 16 ga. steel door.
- Includes mounting hardware and two (2) keys.
- Hinge mounts on either right or left.

Extra Rubber Feet



- Package of 20 rubber feet
- Part Number **1421RC24**

| Part Number | For Panel Height |
|-----------------|------------------|
| RCHR1908 | 8.75" (5U) |
| RCHR1910 | 10.5" (6U) |
| RCHR1914 | 14.0" (8U) |
| RCHR1917 | 17.5" (10U) |
| RCHR1922 | 22.75" (13U) |
| RCHR1928 | 28.0" (16U) |

| Part Number | Color | For Panel Height |
|--------------------|------------|------------------|
| RCHD1908BK1 | Black | 8.75" (5U) |
| RCHD1908LG1 | Light Gray | (5U) |
| RCHD1910BK1 | Black | 10.5" (6U) |
| RCHD1910LG1 | Light Gray | (6U) |
| RCHD1914BK1 | Black | 14.0" (8U) |
| RCHD1914LG1 | Light Gray | (8U) |
| RCHD1917BK1 | Black | 17.5" (10U) |
| RCHD1917LG1 | Light Gray | (10U) |
| RCHD1922BK1 | Black | 22.75" (13U) |
| RCHD1922LG1 | Light Gray | (13U) |
| RCHD1928BK1 | Black | 28.0" (16U) |
| RCHD1928LG1 | Light Gray | (16U) |

UNIVERSAL ACCESSORIES

- Rack panels [Page 90](#)
- Ventilated rack panels [Page 92](#)
- Panel mount doors & chassis [Page 94](#)
- Shelves & slides [Page 95](#)
- Drawers [Page 101](#)

- Cable management [Page 102](#)
- Cooling [Page 105](#)
- Rack mount outlet strips [Page 110](#)
- Hardware [Page 127](#)
- Visit our web site for our most [recent accessories](#)

EUROPE

Basingstoke, UK 01256 812812

AUSTRALIA

Queenstown SA, Australia 61-8-8240-2244



CANADA

Guelph, Ontario (519) 822-2960
St. Laurent, Quebec (514) 343-9010

USA

Cheektowaga, NY (716) 630-7030

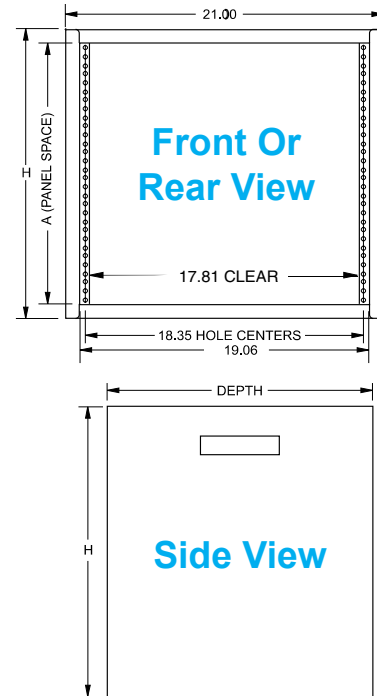


Heavy Duty - Ventilated (RCHV Series)

Table Top



Black (Textured)



[For complete drawing information link here to our website covering this series.](#)

FEATURES

- Heavy duty, 16-gauge steel, 19" rack mount - table top cabinet.
- Ventilated on both sides & optimized per size to allow natural air convection
- Choice of three depths - 17.5" (444 mm), 24.5" (622 mm) and 31.5" (800 mm).
- Panel rails are infinitely adjustable (front to back), round hole punched for 10-32 clip-nuts to full EIA hole centers (5/8-5/8-1/2 inch spacing).
- Includes two pairs of rails (for rear support of heavier equipment or shelves), rubber feet, black ABS plastic handles, a starter pack of 10-32 clip nuts & matching 1421ABK black screws.
- Supplied unassembled (four cabinet pieces & four rails), shipped in a flat pack container for shipping ease and protection.
- Simple assembly using one bolt in each corner to lock the sides to the top and bottom (hardware included).
- Overall width 21" (533 mm).
- Overall height 2" (51 mm) additional over panel height.
- Front & back lip is .585" (14 mm) so usable depth is reduced by 1.17" (30 mm).
- Recommended maximum weight (RCHV1902824 tested) - 800 pounds (364 kg).
- Rugged textured powder paint finish.
- Stocked in Black & Light Gray (RAL7035)

17.5" (444 mm) Deep

| Part Number | | Panel Height | | Overall Dimensions | | | Number of Clip Nuts Included | Weight |
|--------------------------------|--------------------------------|--------------|-------|--------------------|----------------|----------------|------------------------------|---------------|
| Black Textured | Light Gray Textured | Inches | Units | Height | Width | Depth | | |
| RCHV1900817BK1 | RCHV1900817LG1 | 8.75 | 5U | 10.75" (273 mm) | 21.0" (533 mm) | 17.5" (444 mm) | 8 | 36# (16.4 kg) |
| RCHV1901017BK1 | RCHV1901017LG1 | 10.50 | 6U | 12.50" (318 mm) | 21.0" (533 mm) | 17.5" (444 mm) | 16 | 40# (18.2 kg) |
| RCHV1901417BK1 | RCHV1901417LG1 | 14.00 | 8U | 16.00" (406 mm) | 21.0" (533 mm) | 17.5" (444 mm) | 16 | 44# (20.0 kg) |
| RCHV1901717BK1 | RCHV1901717LG1 | 17.50 | 10U | 19.50" (495 mm) | 21.0" (533 mm) | 17.5" (444 mm) | 16 | 46# (20.9 kg) |
| RCHV1902217BK1 | RCHV1902217LG1 | 22.75 | 13U | 24.75" (629 mm) | 21.0" (533 mm) | 17.5" (444 mm) | 16 | 52# (23.6 kg) |
| RCHV1902817BK1 | RCHV1902817LG1 | 28.00 | 16U | 30.00" (762 mm) | 21.0" (533 mm) | 17.5" (444 mm) | 16 | 58# (26.4 kg) |



Heavy Duty - Ventilated (RCHV Series)

24.5" (622 mm) Deep

| Part Number | | Panel Height | | Overall Dimensions | | | Number of Clip Nuts Included | Weight |
|----------------|---------------------|--------------|-------|--------------------|----------------|----------------|------------------------------|---------------|
| Black Textured | Light Gray Textured | Inches | Units | Height | Width | Depth | | |
| RCHV1901024BK1 | RCHV1901024LG1 | 10.50 | 6U | 12.50" (318 mm) | 21.0" (533 mm) | 24.5" (622 mm) | 16 | 52# (23.6 kg) |
| RCHV1901424BK1 | RCHV1901424LG1 | 14.00 | 8U | 16.00" (406 mm) | 21.0" (533 mm) | 24.5" (622 mm) | 16 | 56# (25.5 kg) |
| RCHV1901724BK1 | RCHV1901724LG1 | 17.50 | 10U | 19.50" (495 mm) | 21.0" (533 mm) | 24.5" (622 mm) | 16 | 60# (27.3 kg) |
| RCHV1902224BK1 | RCHV1902224LG1 | 22.75 | 13U | 24.75" (629 mm) | 21.0" (533 mm) | 24.5" (622 mm) | 16 | 68# (30.9 kg) |
| RCHV1902824BK1 | RCHV1902824LG1 | 28.00 | 16U | 30.00" (762 mm) | 21.0" (533 mm) | 24.5" (622 mm) | 16 | 76# (35.5 kg) |

Table Top

31.5" (800 mm) Deep

| Part Number | | Panel Height | | Overall Dimensions | | | Number of Clip Nuts Included | Weight |
|----------------|---------------------|--------------|-------|--------------------|----------------|----------------|------------------------------|---------------|
| Black Textured | Light Gray Textured | Inches | Units | Height | Width | Depth | | |
| RCHV1901031BK1 | RCHV1901031LG1 | 10.50 | 6U | 12.50" (318 mm) | 21.0" (533 mm) | 31.5" (800 mm) | 16 | 64# (29.1 kg) |
| RCHV1901431BK1 | RCHV1901431LG1 | 14.00 | 8U | 16.00" (406 mm) | 21.0" (533 mm) | 31.5" (800 mm) | 16 | 70# (31.8 kg) |
| RCHV1901731BK1 | RCHV1901731LG1 | 17.50 | 10U | 19.50" (495 mm) | 21.0" (533 mm) | 31.5" (800 mm) | 16 | 72# (32.7 kg) |
| RCHV1902231BK1 | RCHV1902231LG1 | 22.75 | 13U | 24.75" (629 mm) | 21.0" (533 mm) | 31.5" (800 mm) | 16 | 80# (36.4 kg) |
| RCHV1902831BK1 | RCHV1902831LG1 | 28.00 | 16U | 30.00" (762 mm) | 21.0" (533 mm) | 31.5" (800 mm) | 16 | 92# (41.8 kg) |

RCHV SERIES ACCESSORIES

Casters



- Set of four (4).
- Weight capacity 600# (273 kg).
- Includes mounting hardware.
- Part Number **1425PHD**

Extra Spring Nuts



- Set of eight (8), spring nuts and bolts.
- 1/4" X 20 hardware for horizontal struts.
- Part Number **1421SN**

Extra Panel Rails



- Sold in pairs.
- Includes strut mounting hardware.
- Black clip nuts not included.

Locking Doors



- 16 ga. steel door.
- Includes mounting hardware and two (2) keys.
- Hinge mounts on either right or left.

Extra Rubber Feet



- Package of 20 rubber feet
- Part Number **1421RC24**

| Part Number | For Panel Height |
|-----------------|------------------|
| RCHR1908 | 8.75" (5U) |
| RCHR1910 | 10.5" (6U) |
| RCHR1914 | 14.0" (8U) |
| RCHR1917 | 17.5" (10U) |
| RCHR1922 | 22.75" (13U) |
| RCHR1928 | 28.0" (16U) |

| Part Number | Color | For Panel Height |
|--------------------|------------|------------------|
| RCHD1908BK1 | Black | 8.75" (5U) |
| RCHD1908LG1 | Light Gray | (5U) |
| RCHD1910BK1 | Black | 10.5" (6U) |
| RCHD1910LG1 | Light Gray | (6U) |
| RCHD1914BK1 | Black | 14.0" (8U) |
| RCHD1914LG1 | Light Gray | (8U) |
| RCHD1917BK1 | Black | 17.5" (10U) |
| RCHD1917LG1 | Light Gray | (10U) |
| RCHD1922BK1 | Black | 22.75" (13U) |
| RCHD1922LG1 | Light Gray | (13U) |
| RCHD1928BK1 | Black | 28.0" (16U) |
| RCHD1928LG1 | Light Gray | (16U) |

UNIVERSAL ACCESSORIES

- Rack panels [Page 90](#)
- Ventilated rack panels [Page 92](#)
- Panel mount doors & chassis [Page 94](#)
- Shelves & slides [Page 95](#)
- Drawers [Page 101](#)

- Cable management [Page 102](#)
- Cooling [Page 105](#)
- Rack mount outlet strips [Page 110](#)
- Hardware [Page 127](#)
- Visit our web site for our most [recent accessories](#)

EUROPE

Basingstoke, UK 01256 812812

AUSTRALIA

Queenstown SA, Australia 61-8-8240-2244



CANADA

Guelph, Ontario (519) 822-2960
St. Laurent, Quebec (514) 343-9010

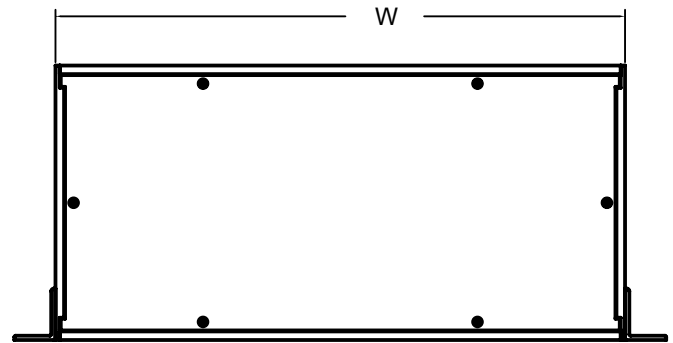
USA

Cheektowaga, NY (716) 630-7030

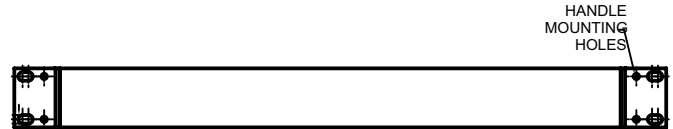


Rack Mountable (RM Series)

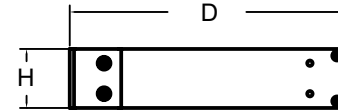
Table Top



ASSEMBLY - VIEW FROM TOP



ASSEMBLY - VIEW FROM FRONT



ASSEMBLY - VIEW FROM SIDE

[For complete drawing information link here to our website covering this series.](#)

FEATURES

- Strong construction - yet light weight using all aluminum components.
- Suitable for desk top or rack mountable applications.
- Available with solid top & bottom panels or ventilated to allow natural air convection.
- Choice of three heights - 1.75" (1U), 3.50" (2U) or 5.25" (3U).
- Choice of three depths - 8.0" (203 mm), 13.0" (330 mm) or 18.0" (457 mm).
- Designed for easy assembly & disassembly.
- Shipped knocked down to avoid shipping damage.
- Strong construction using:
 - extruded aluminum side panels 0.125" (3.2 mm) thick
 - extruded aluminum front & rear panels (0.125" (3.2 mm) thick
 - flat aluminum top & bottom panels 0.064" (1.6 mm) thick
- Can be used with or without rack mounting brackets (included).
- Front & rear panel are interchangeable.
- Includes top, bottom, sides, self-adhesive rubber feet, rack mount brackets and all assembly hardware.
- Pull handles & rear bracket kit for deeper 18.0" (457 mm) models are not included with the unit (see tables).
- Stocked in a durable textured black powder paint finish.

Rack Mountable (RM Series)

Table Top

Solid - Top & Bottom Panels

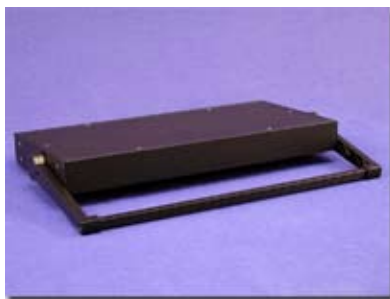
| Part Number | Panel Height | | Overall Dimensions | | Weight | Accepts Pull Handle Part Number | Rear Bracket Kit Part Number |
|-----------------------------|--------------|-------|--------------------|----------------|---------------|---------------------------------|------------------------------|
| | Inches | Units | Width | Depth | | | |
| RM1U1908SBK | 1.75 | 1U | 16.6" (421 mm) | 8.0" (203 mm) | 3.5# (1.6 kg) | 1427B2BK | - |
| RM1U1913SBK | 1.75 | 1U | 16.6" (421 mm) | 13.0" (330 mm) | 5.0# (2.3 kg) | 1427B2BK | - |
| RM1U1918SBK | 1.75 | 1U | 16.6" (421 mm) | 18.0" (457 mm) | 6.0# (2.7 kg) | 1427B2BK | RM1U18BRKT |
| RM2U1908SBK | 3.50 | 2U | 16.6" (421 mm) | 8.0" (203 mm) | 4.6# (2.1 kg) | 1427E1BK | - |
| RM2U1913SBK | 3.50 | 2U | 16.6" (421 mm) | 13.0" (330 mm) | 6.5# (3.0 kg) | 1427E1BK | - |
| RM2U1918SBK | 3.50 | 2U | 16.6" (421 mm) | 18.0" (457 mm) | 7.8# (3.5 kg) | 1427E1BK | RM2U18BRKT |
| RM3U1908SBK | 5.25 | 3U | 16.6" (421 mm) | 8.0" (203 mm) | 5.6# (2.5 kg) | 1427P1BK | - |
| RM3U1913SBK | 5.25 | 3U | 16.6" (421 mm) | 13.0" (330 mm) | 7.9# (3.6 kg) | 1427P1BK | - |
| RM3U1918SBK | 5.25 | 3U | 16.6" (421 mm) | 18.0" (457 mm) | 9.5# (4.3 kg) | 1427P1BK | RM3U18BRKT |

Ventilated - Top & Bottom Panels

| Part Number | Panel Height | | Overall Dimensions | | Weight | Accepts Pull Handle Part Number | Rear Bracket Kit Part Number |
|-----------------------------|--------------|-------|--------------------|----------------|---------------|---------------------------------|------------------------------|
| | Inches | Units | Width | Depth | | | |
| RM1U1908VBK | 1.75 | 1U | 16.6" (421 mm) | 8.0" (203 mm) | 3.5# (1.6 kg) | 1427B2BK | - |
| RM1U1913VBK | 1.75 | 1U | 16.6" (421 mm) | 13.0" (330 mm) | 5.0# (2.3 kg) | 1427B2BK | - |
| RM1U1918VBK | 1.75 | 1U | 16.6" (421 mm) | 18.0" (457 mm) | 6.0# (2.7 kg) | 1427B2BK | RM1U18BRKT |
| RM2U1908VBK | 3.50 | 2U | 16.6" (421 mm) | 8.0" (203 mm) | 4.6# (2.1 kg) | 1427E1BK | - |
| RM2U1913VBK | 3.50 | 2U | 16.6" (421 mm) | 13.0" (330 mm) | 6.5# (3.0 kg) | 1427E1BK | - |
| RM2U1918VBK | 3.50 | 2U | 16.6" (421 mm) | 18.0" (457 mm) | 7.8# (3.5 kg) | 1427E1BK | RM2U18BRKT |
| RM3U1908VBK | 5.25 | 3U | 16.6" (421 mm) | 8.0" (203 mm) | 5.6# (2.5 kg) | 1427P1BK | - |
| RM3U1913VBK | 5.25 | 3U | 16.6" (421 mm) | 13.0" (330 mm) | 7.9# (3.6 kg) | 1427P1BK | - |
| RM3U1918VBK | 5.25 | 3U | 16.6" (421 mm) | 18.0" (457 mm) | 9.5# (4.3 kg) | 1427P1BK | RM3U18BRKT |

RM SERIES ACCESSORIES

Tilt Bail



- Used as a tilt bail and/or carrying handle.
- Requires drilling only four mounting holes into the sides of the enclosure.
- Includes all mounting hardware, instructions and drilling template.
- 12 detent positions.
- Extruded handle is black anodized aluminum and pre-cut to fit all "RM" enclosures.
- Side section pairs of bail are molded from tough black polycarbonate.
- Enclosure not included (see above).
- Part Number [1427BAILKIT2](#)

Replacement Hardware

| Part Number | Description | Used For |
|-------------------------------|---|--------------------------------|
| RM632SC100BK | 100 pack of 6-32 x 3/8" self tapping screws | Side panel assembly |
| RM440SN100BK | 100 pack of 4-40 speed nuts | Top & bottom panel assembly |
| RM440MS100BK | 100 pack of 4-40 machine screws | Top & bottom panel assembly |
| RM1032MS100BK | 100 pack of 10.32 machine screws | Rack mounting bracket assembly |

EUROPE

Basingstoke, UK 01256 812812

AUSTRALIA

Queenstown SA, Australia 61-8-8240-2244



CANADA

Guelph, Ontario (519) 822-2960
St. Laurent, Quebec (514) 343-9010

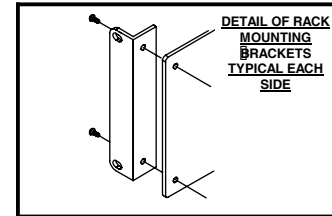
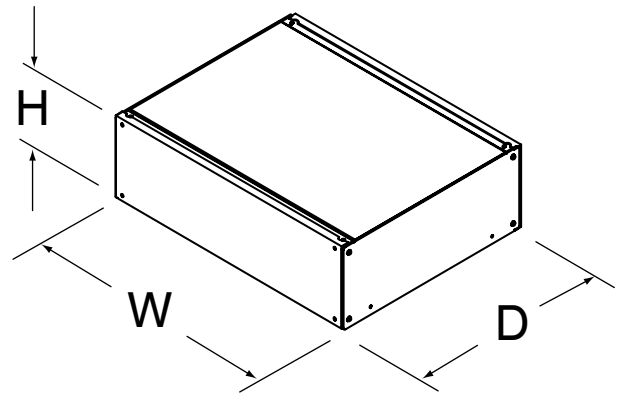
USA

Cheektowaga, NY (716) 630-7030



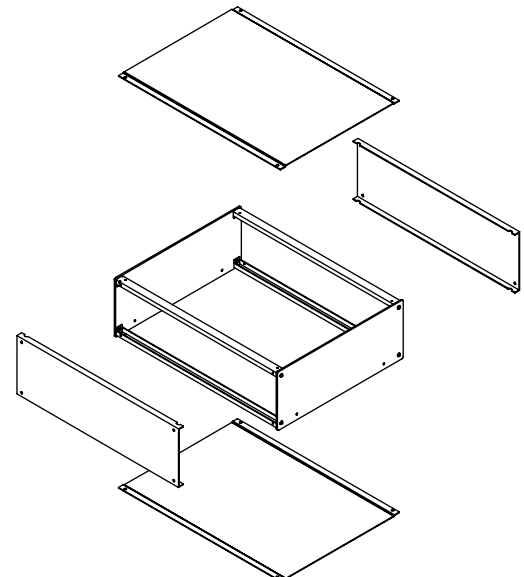
Rack Mountable (RMCS & RMCV Series)

Table Top



FEATURES

- Perfect for rack mount or table top applications or both!
- Uses all machine screw & PEM nut construction, perfect for applications where repetitive assembly & disassembly are required.
- Shipped knocked down to avoid shipping damage.
- Light weight design - all aluminum for easy modification. *Example:* the (RMCS190313BK1) - 19" rack mountable unit shown above weighs only five (5) pounds (2.3 kg).
- Strong design construction using:
 - 0.125" (3.2 mm) thick side panels & rack mount brackets
 - 0.064" (1.6 mm) thick front & rear panels
 - 0.062" (1.58 mm) top and bottom panels
- Can be used with or without rack mounting brackets (included)
- Front and rear panels are interchangeable.
- Top & bottom panel are symmetrical - ventilation (on RMCV series) can be in front or rear of enclosure
- Includes top, bottom, side panels, front & rear panels, rubber self-adhesive feet, rack mount brackets and all hardware.
- Easy internal access, as only four (4) screws need to be removed from any of the six (6) panels.
- Enclosure is finished in rugged satin texture, black powder paint.
- Internal aluminum chassis panel (alodine finish) is optional (see table).
- Holes provided for bottom mounting of chassis panel.
- Available in both 19" rack mount and half width versions.
- Available in both vented and unvented versions.
- NOTE: optional chrome handles will block rack mounting area.



[For complete drawing information link here to our website covering this series.](#)

Rack Mountable (RMCS & RMCV Series)

19" Rack Mountable (Solid - Top & Bottom)

| Part Number | Panel Height | | Overall Dimensions | | Inside Height Clearance With Chassis Installed | Weight | Accepts Pull Handle Part Number | Aluminum Chassis Part Number |
|---------------|--------------|-------|--------------------|----------------|--|----------------|---------------------------------|------------------------------|
| | Inches | Units | Width | Depth | | | | |
| RMCS19018BK1 | 1.75 | 1U | 17.0" (432 mm) | 8.0" (203 mm) | 0.81" (21 mm) | 3.0# (1.4 kg) | - | RMP1908 |
| RMCS190113BK1 | 1.75 | 1U | 17.0" (432 mm) | 13.0" (330 mm) | 0.81" (21 mm) | 3.5# (1.6 kg) | - | RMP1913 |
| RMCS19038BK1 | 3.50 | 2U | 17.0" (432 mm) | 8.0" (203 mm) | 2.56" (65 mm) | 5.0# (2.3 kg) | 1427P | RMP1908 |
| RMCS190313BK1 | 3.50 | 2U | 17.0" (432 mm) | 13.0" (330 mm) | 2.56" (65 mm) | 6.0# (2.7 kg) | 1427P | RMP1913 |
| RMCS190513BK1 | 5.25 | 3U | 17.0" (432 mm) | 13.0" (330 mm) | 4.31" (109 mm) | 7.0# (3.2 kg) | 1427N | RMP1913 |
| RMCS190713BK1 | 7.00 | 4U | 17.0" (432 mm) | 13.0" (330 mm) | 6.06" (154 mm) | 8.1# (3.7 kg) | 1427M | RMP1913 |
| RMCS190813BK1 | 8.75 | 5U | 17.0" (432 mm) | 13.0" (330 mm) | 7.81" (198 mm) | 9.0# (4.1 kg) | 1427M | RMP1913 |
| RMCS191013BK1 | 10.50 | 6U | 17.0" (432 mm) | 13.0" (330 mm) | 9.56" (243 mm) | 9.3# (4.2 kg) | 1427L | RMP1913 |
| RMCS191015BK1 | 10.50 | 6U | 17.0" (432 mm) | 15.0" (381 mm) | 9.56" (243 mm) | 10.1# (4.6 kg) | 1427L | RMP1915 |

19" Rack Mountable (Ventilated - Top & Bottom)

| Part Number | Panel Height | | Overall Dimensions | | Inside Height Clearance With Chassis Installed | Weight | Accepts Pull Handle Part Number | Aluminum Chassis Part Number |
|---------------|--------------|-------|--------------------|----------------|--|----------------|---------------------------------|------------------------------|
| | Inches | Units | Width | Depth | | | | |
| RMCV19018BK1 | 1.75 | 1U | 17.0" (432 mm) | 8.0" (203 mm) | 0.81" (21 mm) | 1.9# (0.9 kg) | - | RMP1908 |
| RMCV190113BK1 | 1.75 | 1U | 17.0" (432 mm) | 13.0" (330 mm) | 0.81" (21 mm) | 4.5# (2.0 kg) | - | RMP1913 |
| RMCV19038BK1 | 3.50 | 2U | 17.0" (432 mm) | 8.0" (203 mm) | 2.56" (65 mm) | 3.6# (1.6 kg) | 1427P | RMP1908 |
| RMCV190313BK1 | 3.50 | 2U | 17.0" (432 mm) | 13.0" (330 mm) | 2.56" (65 mm) | 5.8# (2.6 kg) | 1427P | RMP1913 |
| RMCV190513BK1 | 5.25 | 3U | 17.0" (432 mm) | 13.0" (330 mm) | 4.31" (109 mm) | 7.0# (3.2 kg) | 1427N | RMP1913 |
| RMCV190713BK1 | 7.00 | 4U | 17.0" (432 mm) | 13.0" (330 mm) | 6.06" (154 mm) | 6.3# (2.9 kg) | 1427M | RMP1913 |
| RMCV190813BK1 | 8.75 | 5U | 17.0" (432 mm) | 13.0" (330 mm) | 7.81" (198 mm) | 8.0# (3.6 kg) | 1427M | RMP1913 |
| RMCV191013BK1 | 10.50 | 6U | 17.0" (432 mm) | 13.0" (330 mm) | 9.56" (243 mm) | 9.2# (4.2 kg) | 1427L | RMP1913 |
| RMCV191015BK1 | 10.50 | 6U | 17.0" (432 mm) | 15.0" (381 mm) | 9.56" (243 mm) | 11.0# (5.0 kg) | 1427L | RMP1915 |

Half Width - Rack Mountable (Solid - Top & Bottom)

| Part Number | Panel Height | | Overall Dimensions | | Inside Height Clearance With Chassis Installed | Weight | Accepts Pull Handle Part Number | Aluminum Chassis Part Number |
|-------------|--------------|-------|--------------------|---------------|--|---------------|---------------------------------|------------------------------|
| | Inches | Units | Width | Depth | | | | |
| RMCS9018BK1 | 1.75 | 1U | 8.5" (216 mm) | 8.0" (203 mm) | 0.81" (21 mm) | 0.6# (0.3 kg) | - | RMP908 |
| RMCS9038BK1 | 3.50 | 2U | 8.5" (216 mm) | 8.0" (203 mm) | 2.56" (65 mm) | 1.8# (0.8 kg) | 1427P | RMP908 |
| RMCS9058BK1 | 5.25 | 3U | 8.5" (216 mm) | 8.0" (203 mm) | 4.31" (109 mm) | 3.3# (1.5 kg) | 1427N | RMP908 |

Half Width - Rack Mount (Ventilated - Top & Bottom)

| Part Number | Panel Height | | Overall Dimensions | | Inside Height Clearance With Chassis Installed | Weight | Accepts Pull Handle Part Number | Aluminum Chassis Part Number |
|-------------|--------------|-------|--------------------|---------------|--|---------------|---------------------------------|------------------------------|
| | Inches | Units | Width | Depth | | | | |
| RMCV9018BK1 | 1.75 | 1U | 8.5" (216 mm) | 8.0" (203 mm) | 0.81" (21 mm) | 0.7# (0.3 kg) | - | RMP908 |
| RMCV9038BK1 | 3.50 | 2U | 8.5" (216 mm) | 8.0" (203 mm) | 2.56" (65 mm) | 1.5# (0.7 kg) | 1427P | RMP908 |
| RMCV9058BK1 | 5.25 | 3U | 8.5" (216 mm) | 8.0" (203 mm) | 4.31" (109 mm) | 2.1# (1.0 kg) | 1427N | RMP908 |

RMCS & RMCV SERIES ACCESSORIES

Optional Aluminum Chassis Panel



• See tables above

Replacement Front & Rear Panels



• [Link here to our web site for proper panels](#)

EUROPE

Basingstoke, UK 01256 812812

AUSTRALIA

Queenstown SA, Australia 61-8-8240-2244



CANADA

Guelph, Ontario (519) 822-2960
St. Laurent, Quebec (514) 343-9010

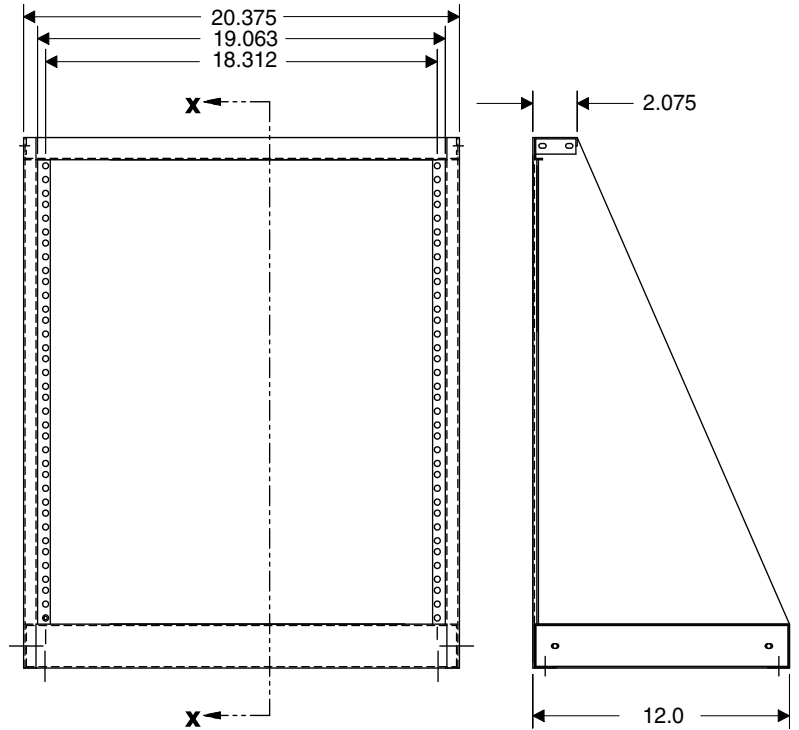
USA

Cheektowaga, NY (716) 630-7030



Open Rack (RRTT Series)

Table Top



Front View

Side View

[For complete drawing information link here to our website covering this series.](#)

FEATURES

- Standard 19" rack mount, open frame.
- Rack mounting, on E.I.A. universal spacing (5/8 - 5/8 - 1/2 inch)
- Round hole punched for 10-32 clip nuts (included)
- Choice of two heights, 21.0" (12U) or 28.0" (16U)
- Heavy duty construction, 14 gauge steel
- Recommended maximum weight (RRTT1928 tested) - 350 pounds (159 kg)
- Supplied unassembled (four pieces), shipped in a flat pack container for handling ease & protection
- Includes all hardware and four rubber feet
- Rugged powder paint, textured black finish

| Part Number | Panel Height | | Overall Dimensions | | | Weight |
|-------------|--------------|-------|--------------------|------------------|----------------|--------------|
| | Inches | Units | Height (A) | Width | Base Depth | |
| RRTT1921BK1 | 21.0 | 12U | 24.0" (610 mm) | 20.375" (518 mm) | 12.0" (305 mm) | 19# (8.6 kg) |
| RRTT1928BK1 | 28.0 | 16U | 31.0" (787 mm) | 20.375" (518 mm) | 12.0" (305 mm) | 21# (9.5 kg) |

UNIVERSAL ACCESSORIES

- Rack panels [Page 90](#)
- Ventilated rack panels [Page 92](#)
- Panel mount doors & chassis [Page 94](#)
- Shelves & slides [Page 95](#)
- Drawers [Page 101](#)
- Cable management [Page 102](#)
- Rack mount outlet strips [Page 110](#)
- Hardware [Page 127](#)
- Visit our web site for our most [recent accessories](#)



CANADA

Guelph, Ontario (519) 822-2960
St. Laurent, Quebec (514) 343-9010

USA

Cheektowaga, NY (716) 630-7030



EUROPE

Basingstoke, UK 01256 812812

AUSTRALIA

Queenstown SA, Australia 61-8-8240-2244

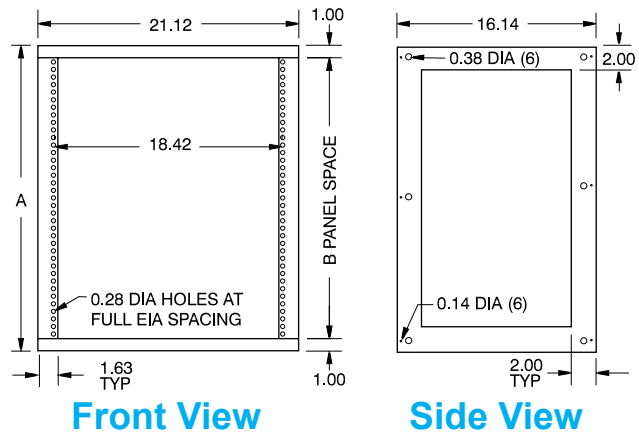


Wall Mount Racks



Fixed Frame (1459 Series)

Wall Mount



FEATURES

- Rails are fixed front, punched for 10-32 clip nuts with full EIA spacing (5/8 - 5/8 - 1/2 inch)
- Welded, 16-gauge steel, economy 19" wall mount or can be used table top (with rear open)
- Includes rubber feet and 10-32 clip nuts
- Removable top and bottom panels are included with the frame (shipped assembled)
- Rear has keyholes for easy wall mounting
- Recommended maximum weight (1459MB tested) - 800 pounds...
- Rugged powder paint finish

| Part Number | | | Panel Height | | Overall Dimensions | | |
|----------------|-------------------|----------------|--------------|-------|--------------------|-------|-------|
| Beige Textured | ASA61 Grey Smooth | Black Textured | Inches | Units | Height | Width | Depth |
| 1459FCG1 | 1459FGY2 | 1459FBK1 | 22.75 | 13 | 24.7 | 21.12 | 16.14 |
| 1459JCG1 | 1459JGY2 | 1459JBK1 | 33.25 | 19 | 35.2 | 21.12 | 16.14 |
| 1459MCG1 | 1459MGY2 | 1459MBK1 | 47.25 | 27 | 49.2 | 21.12 | 16.14 |

UNIVERSAL ACCESSORIES

- Rack panels [Page 90](#)
- Ventilated rack panels [Page 92](#)
- Panel mount doors & chassis [Page 94](#)
- Shelves & slides [Page 95](#)
- Drawers [Page 101](#)
- Cable management [Page 102](#)
- Cooling [Page 105](#)
- Rack mount outlet strips [Page 110](#)
- Hardware [Page 127](#)
- Visit our web site for our most [recent accessories](#)



Side Panels

| Part Number | | | Use With Frame |
|----------------|-------------------|----------------|----------------|
| Beige Textured | ASA61 Grey Smooth | Black Textured | |
| 1459FQCG1 | 1459FQGY2 | 1459FQBK1 | 1459F |
| 1459JQCG1 | 1459JQGY2 | 1459JQBK1 | 1459J |
| 1459MQCG1 | 1459MQGY2 | 1459MQBK1 | 1459M |



Bracket - Side Hinged (HPB & APB Series)

FIXED DEPTH

FEATURES

- Economical bracket rack for 19" rack mount
- Full EIA hole centers (5/8 - 5/8 - 1/2 inch spacing)
- Hinged on one side
- Quantity 3 - 1 1/8" diameter knockouts on the rear
- 6" deep
- Rear has key holes for ease of wall mounting
- Includes quantity 8, 10-32 clip nuts and screws
- 16 gauge formed steel
- Weight load tested (HPB19005) to 100 pounds
- Rugged textured black powder paint finish.



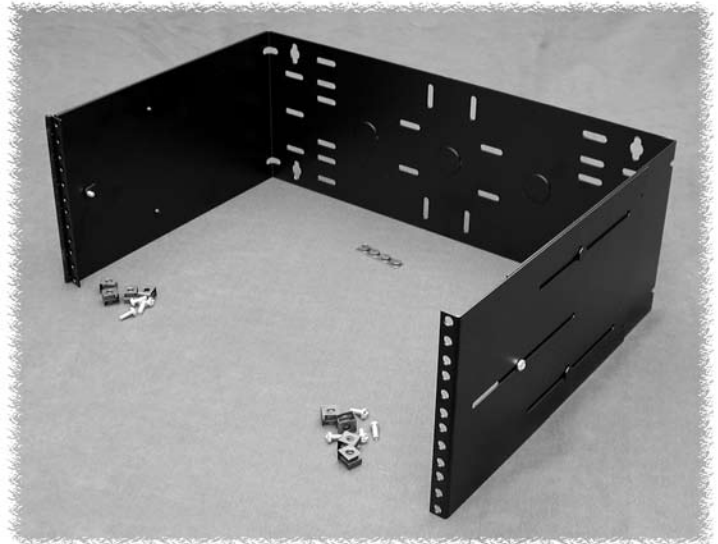
Wall Mount

| Part Number | Panel Height | |
|-----------------------------|--------------|-------|
| | Inches | Units |
| HPB19003BK1 | 3.50 | 2 |
| HPB19005BK1 | 5.25 | 3 |
| HPB19007BK1 | 7.00 | 4 |

ADJUSTABLE DEPTH

FEATURES

- Adjustable depth bracket rack for 19" rack mount
- Full EIA hole centers (5/8 - 5/8 - 1/2 inch spacing)
- Double hinged (one on each side) to allow access to deep equipment
- Quantity 3 - 1 1/8" knockouts on the rear
- Adjustable depth from 12 to 18"
- Rear has key holes for ease of wall mounting
- Multiple slots for cable ties (4 rubber wall spacers included)
- Includes quantity 8, 10-32 clip nuts and screws
- 16 gauge formed steel
- Weight load tested (APB19007) to 70 pounds
- Rugged textured black powder paint finish.



| Part Number | Panel Height | |
|-----------------------------|--------------|-------|
| | Inches | Units |
| APB19007BK1 | 7.00 | 4 |
| APB19014BK1 | 14.00 | 8 |

UNIVERSAL ACCESSORIES

- Rack panels [Page 90](#)
- Ventilated rack panels [Page 92](#)
- Panel mount doors & chassis [Page 94](#)
- Shelves & slides [Page 95](#)
- Drawers [Page 101](#)
- Cable management [Page 102](#)
- Rack mount outlet strips [Page 110](#)
- Hardware [Page 127](#)
- Visit our web site for our most [recent accessories](#)

EUROPE

Basingstoke, UK 01256 812812

AUSTRALIA

Queenstown SA, Australia 61-8-8240-2244



CANADA

Guelph, Ontario (519) 822-2960
St. Laurent, Quebec (514) 343-9010

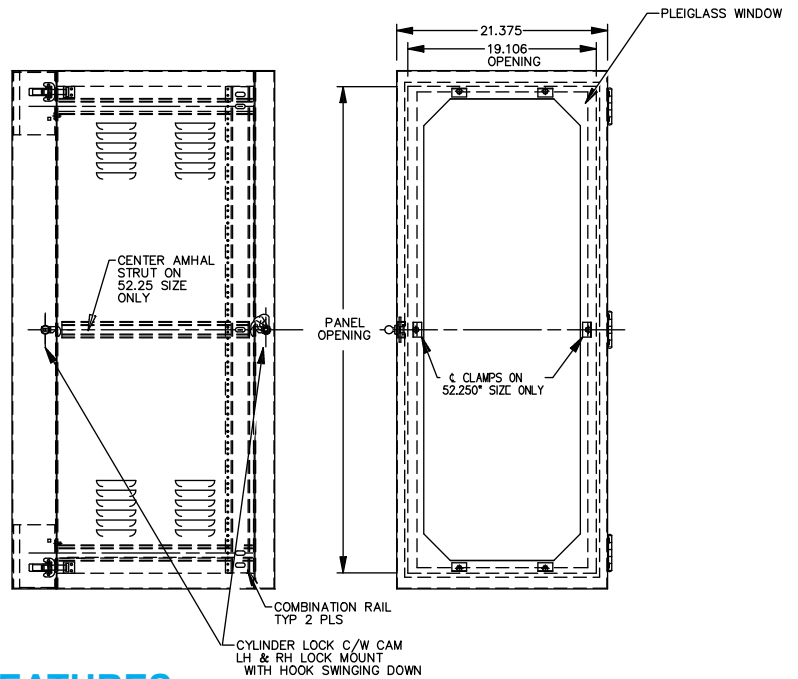
USA

Cheektowaga, NY (716) 630-7030



Swing Out - Enclosed (SWC Series)

Wall Mount



FEATURES

- Standard 19" rack panel width mounting
- 3 hinged sections with quick release latches
- Includes one pair of infinitely adjustable - combination rack mount rails, on E.I.A. universal spacing (5/8 - 5/8 - 1/2 inch) drilled & tapped for 10-32 screws
- Choice of two depths - 11 or 20 inch deep center section (17.5 or 26.5 overall)
- Ventilated center section
- Lockable, smoked plexi front door (reversible by moving three hinges on enclosure)
- Lockable, rear wall mount section with keyhole wall mounting
- Cable access knockouts top and bottom
- Heavy duty construction, 14 gauge steel
- 100 lb. weight load capacity
- Powder paint textured black finish.

| Part Number | Depth (Inches) | | | Panel Height | | Overall Dimensions (Inches) | | |
|------------------------------|----------------|----------------|-----------|--------------|-------|-----------------------------|-------|------------|
| | Front Door | Center Section | Rear Door | Inches | Units | Height | Width | Base Depth |
| SWC19221BK1 | 4.5 | 11 | 2 | 22.75 | 13 | 26 | 21.38 | 17.63 |
| SWC19351BK1 | 4.5 | 11 | 2 | 35.00 | 20 | 38.25 | 21.38 | 17.63 |
| SWC19491BK1 | 4.5 | 11 | 2 | 49.00 | 28 | 52.25 | 21.38 | 17.63 |
| SWC192220BK1 | 4.5 | 20 | 2 | 22.75 | 13 | 26 | 21.38 | 26.63 |
| SWC193520BK1 | 4.5 | 20 | 2 | 35.00 | 20 | 38.25 | 21.38 | 26.63 |
| SWC194920BK1 | 4.5 | 20 | 2 | 49.00 | 28 | 52.25 | 21.38 | 26.63 |

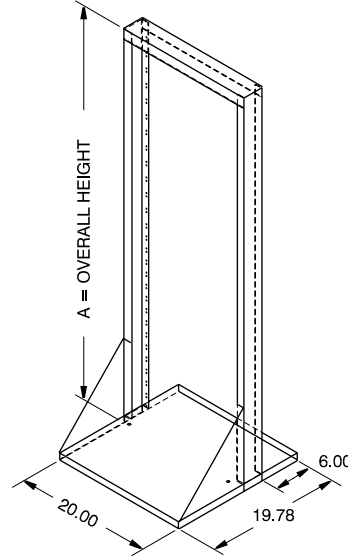
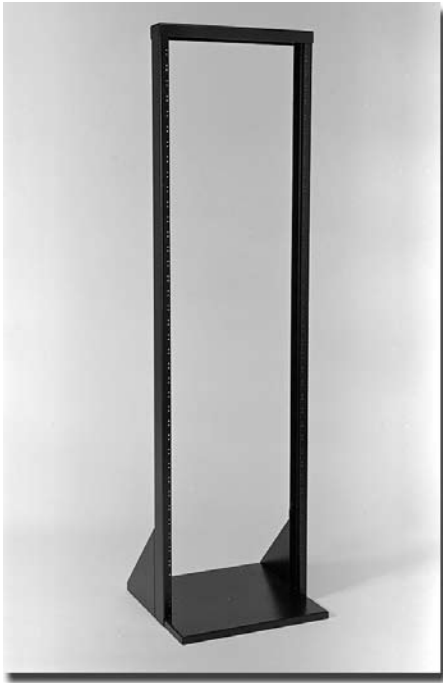
UNIVERSAL ACCESSORIES

- Rack panels [Page 90](#)
- Ventilated rack panels [Page 92](#)
- Panel mount doors & chassis [Page 94](#)
- Shelves & slides [Page 95](#)
- Drawers [Page 101](#)
- Cable management [Page 102](#)
- Cooling [Page 105](#)
- Rack mount outlet strips [Page 110](#)
- Hardware [Page 127](#)



Relay Racks

Light Duty - Welded (DNRR Series)



FEATURES

- Suitable for many 19" rack mount applications, providing complete access to equipment
- Nothing to assemble
- 12-gauge steel base & upright channel - welded construction
- Provides an economical option to an enclosed rack
- Engineered for use as a solid, single, freestanding unit
- Choice of 5 popular heights
- Front flange (ONLY) drilled & tapped rails, 10-32, universal EIA spacing (5/8 - 5/8 -1/2 inch)
- Weight load tested (DNRR84LDW) to 840 pounds
- Base is punched to accept four casters (Part number 1425B, 1425BM or 1425BH) - see page 121
- Tough textured black powder finish paint

Tapped - Front Flange Only

| Part Number | Panel Height | | Overall Height (Inches) | Panel Width (Inches) | Hole Thread |
|---------------------------|--------------|-------|-------------------------|----------------------|-------------|
| | Inches | Units | | | |
| DNRR42LDW | 42 | 24 | 44.6 | 19 | 10-32 |
| DNRR63LDW | 63 | 36 | 65.6 | 19 | 10-32 |
| DNRR70LDW | 70 | 40 | 72.6 | 19 | 10-32 |
| DNRR77LDW | 77 | 44 | 79.6 | 19 | 10-32 |
| DNRR84LDW | 84 | 48 | 86.6 | 19 | 10-32 |

UNIVERSAL ACCESSORIES

- Rack panels [Page 90](#)
- Ventilated rack panels [Page 92](#)
- Panel mount doors & chassis [Page 94](#)
- Shelves & slides [Page 95](#)
- Drawers [Page 101](#)
- Cable management [Page 102](#)
- Rack mount outlet strips [Page 110](#)
- Hardware [Page 127](#)
- Visit our web site for our most [recent accessories](#)



CANADA

Guelph, Ontario (519) 822-2960
St. Laurent, Quebec (514) 343-9010

USA

Cheektowaga, NY (716) 630-7030



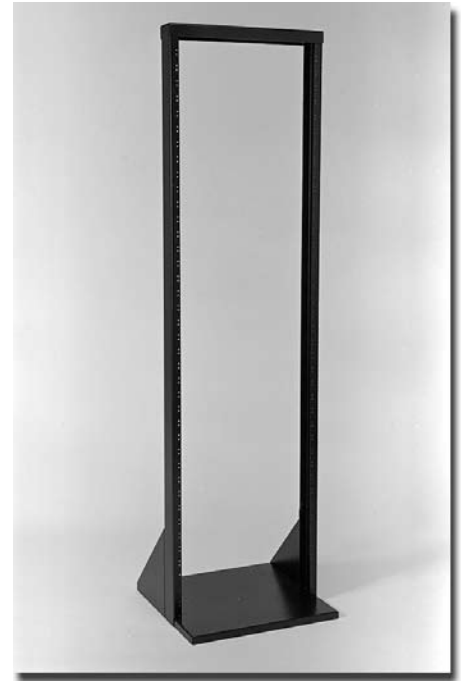
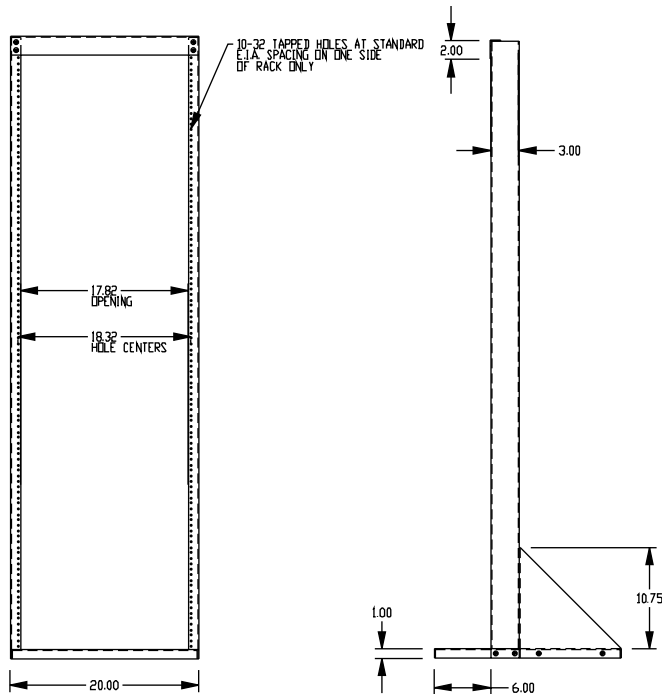
EUROPE

Basingstoke, UK 01256 812812

AUSTRALIA

Queenstown SA, Australia 61-8-8240-2244

Light Duty - Knockdown (DNRR Series)



FEATURES

- Suitable for many 19" rack mount applications, providing complete access to equipment
- Easy to assemble
- Knockdown rack is shipped in a flat pack container for easy handling and shipping protection
- 12-gauge steel base & upright channel
- Provides an economical option to an enclosed rack
- Engineered for use as a solid, single, freestanding unit
- Choice of 5 popular heights
- Front flange (ONLY) drilled & tapped rails, 10-32, universal EIA spacing (5/8 - 5/8 - 1/2 inch)
- Weight load tested (DNRR1984LDK) to 800 pounds
- Base is punched to accept four casters (Part number 1425B, 1425BM or 1425BH) - see page 121
- Tough textured black powder finish paint

Tapped - Front Flange Only

| Part Number | Panel Height | | Overall Height (Inches) | Panel Width (Inches) | Hole Thread |
|-----------------------------|--------------|-------|-------------------------|----------------------|-------------|
| | Inches | Units | | | |
| DNRR1942LDK | 42 | 24 | 45 | 19 | 10-32 |
| DNRR1963LDK | 63 | 36 | 66 | 19 | 10-32 |
| DNRR1970LDK | 70 | 40 | 73 | 19 | 10-32 |
| DNRR1977LDK | 77 | 44 | 80 | 19 | 10-32 |
| DNRR1984LDK | 84 | 48 | 87 | 19 | 10-32 |

UNIVERSAL ACCESSORIES

- Rack panels [Page 90](#)
- Ventilated rack panels [Page 92](#)
- Panel mount doors & chassis [Page 94](#)
- Shelves & slides [Page 95](#)
- Drawers [Page 101](#)
- Cable management [Page 102](#)
- Rack mount outlet strips [Page 110](#)
- Hardware [Page 127](#)
- Visit our web site for our most [recent accessories](#)

EUROPE

Basingstoke, UK 01256 812812

AUSTRALIA

Queenstown SA, Australia 61-8-8240-2244



CANADA

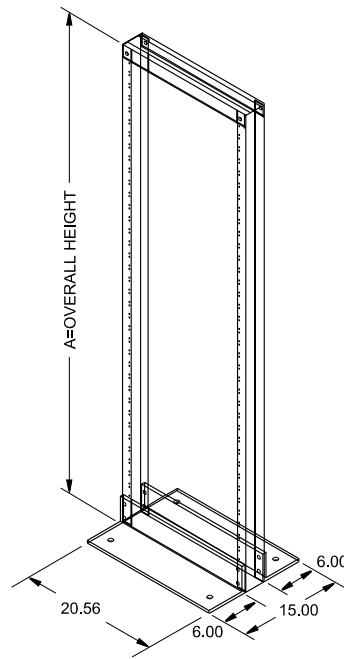
Guelph, Ontario (519) 822-2960
St. Laurent, Quebec (514) 343-9010

USA

Cheektowaga, NY (716) 630-7030



Heavy Duty - Welded (DNRR Series)



FEATURES

- Suitable for many 19" or 23" rack mount applications, providing complete access to equipment
- Nothing to assemble
- 10-gauge steel - welded construction
- Provides an economical option to an enclosed rack
- Engineered for use as a solid, single, freestanding unit
- Choice of front flange or both flanges - drilled & tapped
- Universal EIA hole spacing (5/8 - 5/8 - 1/2 inch)
- Weight load tested (DNRR84HDW) to 1,530 pounds
- Tough textured black powder finish paint

Tapped - Front Flange Only

Tapped - Front & Rear Flange

| Part Number | Panel Height | | Overall Height (Inches) | Panel Width (Inches) | Hole Thread |
|---------------------------|--------------|-------|-------------------------|----------------------|-------------|
| | Inches | Units | | | |
| DNRR42HDW | 42 | 24 | 48.13 | 19 | 10-32 |
| DNRR63HDW | 63 | 36 | 69.13 | 19 | 10-32 |
| DNRR70HDW | 70 | 40 | 76.13 | 19 | 10-32 |
| DNRR77HDW | 77 | 44 | 83.13 | 19 | 10-32 |
| DNRR84HDW | 84 | 48 | 90.13 | 19 | 10-32 |

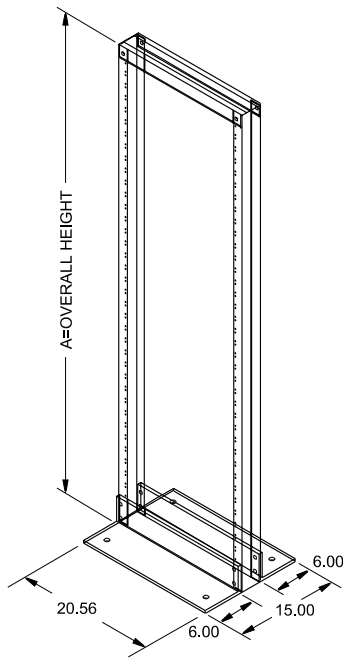
| Part Number | Panel Height | | Overall Height (Inches) | Panel Width (Inches) | Hole Thread |
|------------------------------|--------------|-------|-------------------------|----------------------|-------------|
| | Inches | Units | | | |
| DNRR77HDWB | 77 | 44 | 83.13 | 19 | 10-32 |
| DNRR84HDWB | 84 | 48 | 90.13 | 19 | 10-32 |
| DNRR2377HDWB | 77 | 44 | 83.13 | 23 | 12-24 |
| DNRR2384HDWB | 84 | 48 | 90.13 | 23 | 12-24 |

UNIVERSAL ACCESSORIES

- Rack panels [Page 90](#)
- Ventilated rack panels [Page 92](#)
- Panel mount doors & chassis [Page 94](#)
- Shelves & slides [Page 95](#)
- Drawers [Page 101](#)
- Cable management [Page 102](#)
- Rack mount outlet strips [Page 110](#)
- Hardware [Page 127](#)
- Visit our web site for our most [recent accessories](#)



Heavy Duty - Knockdown (DNRR Series)



Relay

FEATURES

- Suitable for many 19" rack mount applications, providing complete access to equipment
- Easy to assemble
- Knockdown rack is shipped in a flat pack container for easy handling and shipping protection
- 10-gauge steel
- Provides an economical option to an enclosed rack
- Engineered for use as a solid, single, freestanding unit
- Choice of 4 popular heights
- Both front & rear flange drilled & tapped, 10-32, universal EIA spacing (5/8 - 5/8 - 1/2 inch)
- Weight load tested (DNRR84HDKB) to 1,200 pounds
- Tough textured black powder finish paint

Tapped - Front & Rear Flange

| Part Number | Panel Height | | Overall Height (Inches) | Panel Width (Inches) | Hole Thread |
|----------------------------|--------------|-------|-------------------------|----------------------|-------------|
| | Inches | Units | | | |
| DNRR63HDKB | 63 | 36 | 69.13 | 19 | 10-32 |
| DNRR70HDKB | 70 | 40 | 76.13 | 19 | 10-32 |
| DNRR77HDKB | 77 | 44 | 83.13 | 19 | 10-32 |
| DNRR84HDKB | 84 | 48 | 90.13 | 19 | 10-32 |

UNIVERSAL ACCESSORIES

- Rack panels [Page 90](#)
- Ventilated rack panels [Page 92](#)
- Panel mount doors & chassis [Page 94](#)
- Shelves & slides [Page 95](#)
- Drawers [Page 101](#)
- Cable management [Page 102](#)
- Rack mount outlet strips [Page 110](#)
- Hardware [Page 127](#)
- Exclusive to this series [Next Page](#)
- Visit our web site for our most [recent accessories](#)

EUROPE

Basingstoke, UK 01256 812812

AUSTRALIA

Queenstown SA, Australia 61-8-8240-2244



CANADA

Guelph, Ontario (519) 822-2960
St. Laurent, Quebec (514) 343-9010

USA

Cheektowaga, NY (716) 630-7030



Heavy Duty - Accessories

HEAVY DUTY DOLLY



- For use only with “heavy duty” relay racks (pages 16 & 17)
- 10 gauge folded and welded steel
- Rack mounting holes are offset to counter act equipment weight on rear of rack (ie..dolly is photographed from the rear)
- Complete with quantity four - 2” diameter casters
- Caster manufacturer’s specified capacity of 600 lbs.
- Finished in textured black powder paint

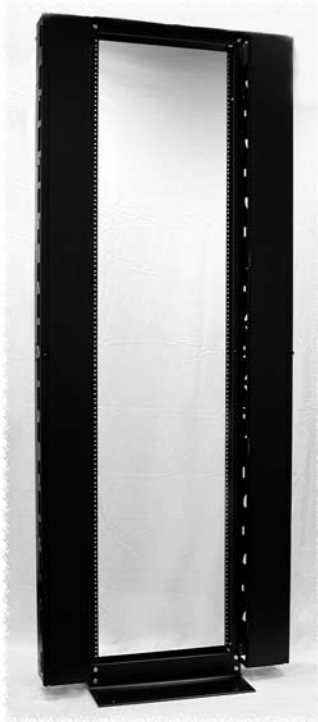
| Part Number | Wheel Diameter | Capacity |
|-------------|----------------|----------|
| 1424T | 2 Inches | 600 lbs. |

GANGING KIT



- For use only with “Heavy Duty Welded” relay racks
- Kit contains enough hardware to join two relay racks
- Used to join relay racks side by side
- No drilling required
- Connects through supplied 6 holes (2 in top, middle & bottom) of frame
- Part Number **RRALJK**

VERTICAL WIRE MANAGER



- For use only with “heavy duty” & aluminum relay racks
- Used to organize bundles of connecting wire
- Manufactured in 16 Ga. steel
- Mounts to either side of open relay rack (includes mounting hardware)
- Front of units include a hinged door secured with magnets
- Finished in rugged black textured powder paint
- Two units shown here, with a heavy duty - open relay rack
- Can be used with top wire management accessories on the next page (except aluminum relay racks)

| Part Number | Panel Height | |
|-----------------|--------------|-------|
| | Inches | Units |
| RRCM44UD | 77 | 44 |
| RRCM48UD | 84 | 48 |

TOP WIRE MANAGEMENT

- For use only with “heavy duty” relay racks
- 16 gauge steel construction
- Usable with an infinite combination and number of ganged or single relay racks
- Top of cable manager contains square knockouts (one shown knocked out in photo below) for use with optional chimneys
- Hinged access door with magnetic catches to keep wires neat and easy access
- Use either joining kits or end panels (see below) in any combination to fit your needs
- Finished in textured black powder paint



Top Horizontal Manager

| Part Number | Description | Application | | |
|-------------|--------------------------|----------------------------|----------------------------------|-------------------------------|
| | | Number of Relay Racks Used | Number of Vertical Managers Used | Location of Vertical Managers |
| RR19TMS | 1 Rack-Single 26.5" Long | 1 | 1 | Left or Right |
| RR19TMD | 1 Rack-Double 32.5" Long | 1 | 2 | Left and Right |
| RR19T added | 2 Rack-Double 53" Long | 2 | 2 | Left and Right, No Center |
| RR19T added | 2 Rack-Triple 59" Long | 2 | 3 | Left, Right and Center |

Chimney

- For use only with “heavy duty” relay racks & top manager
- 16 gauge steel construction
- Mounts to square knockouts in top manager
- For routing wire bundles up & out of the top manager (above) - through the ceiling
- Finished in textured black powder paint

| Part Number | Height |
|-------------|--------|
| RRCH20 | 20" |
| RRCH24 | 24" |
| RRCH30 | 30" |



End Plates & Joining Kit

- For use only with “heavy duty” relay racks & top manager
- 16 gauge steel construction
- Mounts to ends of top manager (above)
- Use end plates to close the ends of top managers
- Use the joining kit to join multiple top managers
- Finished in textured black powder paint



End Plates



Joining Kit

| Part Number | Description |
|-------------|------------------|
| RRTMEP | End Plate (Pair) |
| RRTMJK | Joining Kit |

EUROPE

Basingstoke, UK 01256 812812

AUSTRALIA

Queenstown SA, Australia 61-8-8240-2244



CANADA

Guelph, Ontario (519) 822-2960
St. Laurent, Quebec (514) 343-9010

USA

Cheektowaga, NY (716) 630-7030



Heavy Duty - Accessories

HEAVY DUTY SHELF - DUAL CHANNEL MOUNT

- For use only with relay racks (DNRR series) - tapped front & rear
- Permits front and rear access to modems on open relay racks
- Side brackets allow mounting to either 3" OR 8" deep channel (see photos)
- The vented unit is shown assembled for 8" deep channel, the unvented unit is shown assembled for 3" deep channel
- Uses 5.25" (3U) of vertical panel space
- Choice of 19" or 24" deep (19" deep shown)
- The vented version provides a sturdy shelf without obstructing upward heat movement
- 14-gauge steel construction with a rugged black powder paint finish
- Weight load tested (DNRMU2324BK1) to 300 pounds
- Requires mounting hardware

Relay



Unvented

| Part Number | Width (Inches) | Depth (Inches) |
|------------------------------|----------------|----------------|
| DNRMU19BK1 | 19 | 19 |
| DNRMU1924BK1 | 19 | 24 |
| DNRMU23BK1 | 23 | 19 |
| DNRMU2324BK1 | 23 | 24 |



Vented

| Part Number | Width (Inches) | Depth (Inches) |
|------------------------------|----------------|----------------|
| DNRMV19BK1 | 19 | 19 |
| DNRMV1924BK1 | 19 | 24 |
| DNRMV23BK1 | 23 | 19 |
| DNRMV2324BK1 | 23 | 24 |

MONITOR SHELF - DUAL CHANNEL MOUNT

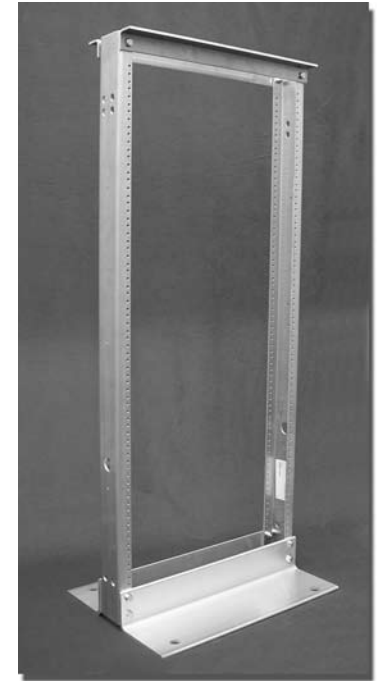
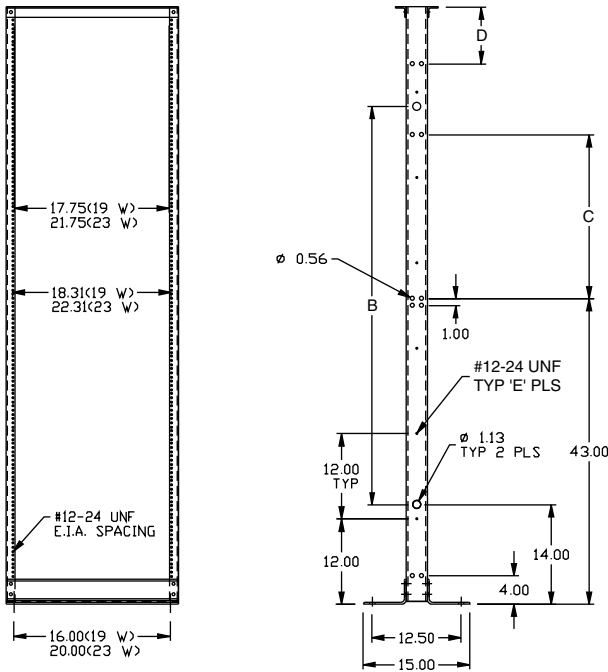


- For use only with relay racks (DNRR series) - tapped front & rear
- Mounts to panel rails using 5.25" (3U) of vertical panel space
- Side brackets allow mounting to either 3" OR 8" deep channel. Unit in photo is shown assembled for 3" deep channel
- Uses 5.25" (3U) of vertical panel space
- Overall 19" deep
- Front & rear lip to reduce chance of monitor being pushed off of shelf
- Available in either 19" or 23" rack panel width
- Includes an accessory compartment welded to the front, bottom of the shelf
- 14 Ga. steel construction
- Finished in rugged black textured powder paint
- Weight load tested (DNRMM23BK1) to 300 pounds
- Requires mounting hardware

| Part Number | Width (Inches) | Depth (Inches) |
|----------------------------|----------------|----------------|
| DNRMM19BK1 | 19 | 19 |
| DNRMM23BK1 | 23 | 19 |

DON'T FORGET TO CHECK OUT OUR UNIVERSAL
ACCESSORY SECTION FOR PANEL MOUNT SHELVES
PAGE 95

Aluminum - Knockdown (RRAL Series)



FEATURES

- Suitable for many 19" or 23" rack mount applications, providing complete access to equipment
- Lightweight aluminum
- Knockdown rack is shipped in a flat pack container for easy handling and shipping protection
- Choice of 19" or 23" panel width
- Easy assembly - only 12 bolts
- Front & rear flange is drilled and tapped (12-24), universal EIA spacing (5/8 - 5/8 - 1/2 inch)
- Includes quantity 30, 12-24 x 5/8" pan head screws
- For use as a single, free standing unit for support of standard 19" (or 23") rack mount devices
- Compatible with most other manufacturers for joining
- Weight load tested (RRAL1984) to 850 pounds
- Available either unfinished (shown) or black textured powder paint

Tapped - Front & Rear Flange

| Part Number | | Panel Width (Inches) | Panel Height | | Overall Dimensions (Inches) | | Rail Hole Thread | Hole Locations | | | |
|-------------|----------------|----------------------|--------------|-------|-----------------------------|--------|------------------|----------------|----|---|---|
| Unfinished | Black Textured | | Inches | Units | Width | Height | | B | C | D | E |
| RRAL1948 | RRAL1948BK | 19 | 42 | 24 | 20.25 | 48 | 12-24 | - | - | - | 3 |
| RRAL1972 | RRAL1972BK | 19 | 66.5 | 38 | 20.25 | 72 | 12-24 | 56 | 23 | - | 5 |
| RRAL1984 | RRAL1984BK | 19 | 78.75 | 45 | 20.25 | 84 | 12-24 | 56 | 23 | 8 | 6 |
| RRAL2348 | RRAL2348BK | 23 | 42 | 24 | 24.25 | 48 | 12-24 | - | - | - | 3 |
| RRAL2372 | RRAL2372BK | 23 | 66.5 | 38 | 24.25 | 72 | 12-24 | 56 | 23 | - | 5 |
| RRAL2384 | RRAL2384BK | 23 | 78.75 | 45 | 24.25 | 84 | 12-24 | 56 | 23 | 8 | 6 |

UNIVERSAL ACCESSORIES

- Rack Panels [Page 90](#)
- Ventilated rack panels [Page 92](#)
- Panel mount doors & chassis [Page 94](#)
- Shelves & slides [Page 95](#)
- Drawers [Page 101](#)
- Cable management [Page 102](#)
- Rack mount outlet strips [Page 110](#)
- Hardware [Page 127](#)
- Exclusive to this series [Next Page](#)
- Visit our web site for our most [recent accessories](#)

EUROPE

Basingstoke, UK 01256 812812

AUSTRALIA

Queenstown SA, Australia 61-8-8240-2244



CANADA

Guelph, Ontario (519) 822-2960
St. Laurent, Quebec (514) 343-9010

USA

Cheektowaga, NY (716) 630-7030



Aluminum K.D. - Accessories

GANGING KIT



- For use only with “Aluminum” relay racks
- Kit contains enough hardware to join two relay racks
- Used to join relay racks side by side
- No drilling required
- Connects through supplied 6 holes (2 in top, middle & bottom) of frame
- Part Number **RRALJK**

VERTICAL CABLE ORGANIZERS

Relay

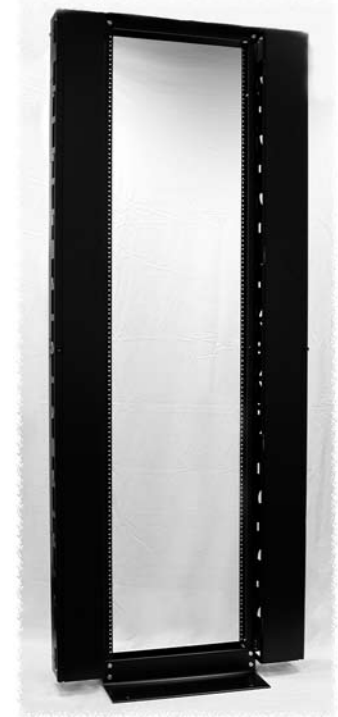


- For use only with “Aluminum” relay racks
- Used to organize large bundles of connecting wires
- Manufactured in 16 Ga. steel
- Mounts to either side of open relay rack
- Finished in rugged black textured powder paint
- Two units shown here (left photo), mounted on a black painted aluminum relay rack

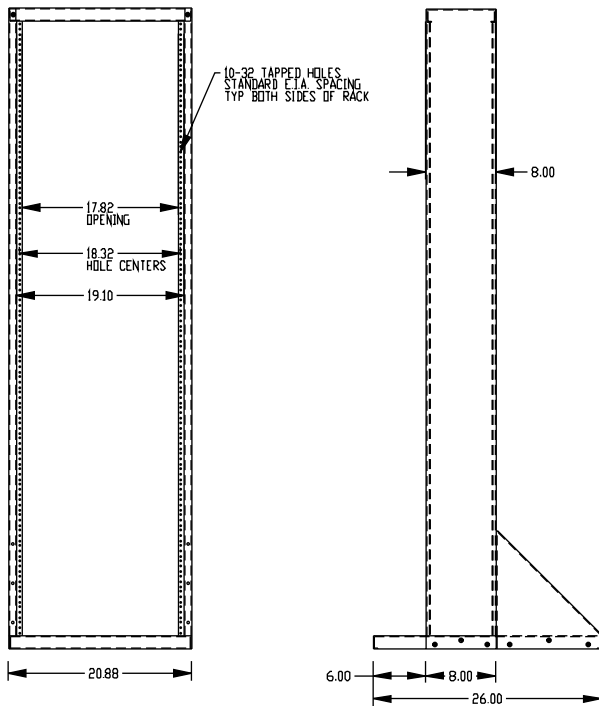
| Part Number | Use | Rack Height |
|----------------|-------------|-------------|
| RRCMS48 | Single Side | 48" |
| RRCMS72 | Single Side | 72" |
| RRCMS84 | Single Side | 84" |
| RRCMD84 | Both Sides | 84" |

- For use only with “heavy duty” & aluminum relay racks
- Used to organize bundles of connecting wire
- Manufactured in 16 Ga. steel
- Mounts to either side of open relay rack (includes mounting hardware)
- Front of units include a hinged door secured with magnets
- Finished in rugged black textured powder paint
- Two units shown here (right photo), mounted on a black painted aluminum relay rack

| Part Number | Panel Height | |
|-----------------|--------------|-------|
| | Inches | Units |
| RRCM44UD | 77 | 44 |
| RRCM48UD | 84 | 48 |



Deep Channel - Knockdown (DNRR Series)



Relay

FEATURES

- Suitable for many 19" rack mount applications, providing complete access to equipment
- Easy to assemble
- Knockdown rack is shipped in a flat pack container for easy handling and shipping protection
- 12-gauge steel base & 14 gauge steel upright deep channel (8" deep)
- Provides an economical option to an enclosed rack
- Engineered for use as a solid, single, freestanding unit
- Choice of 3 popular heights
- Front & rear flange of deep channel drilled & tapped, 10-32, universal EIA spacing (5/8 - 5/8 - 1/2 inch)
- Weight load tested (DNRR1977DCK) to 1,200 pounds
- Base is punched to accept four casters (Part number 1425B, 1425BM or 1425BH) - see page 121
- Tough textured black powder finish paint

Tapped - Front & Rear Flange

| Part Number | Panel Height | | Overall Height (Inches) | Panel Width (Inches) | Hole Thread |
|-----------------------------|--------------|-------|-------------------------|----------------------|-------------|
| | Inches | Units | | | |
| DNRR1942DCK | 42 | 24 | 45.13 | 19 | 10-32 |
| DNRR1970DCK | 70 | 40 | 73.13 | 19 | 10-32 |
| DNRR1977DCK | 77 | 44 | 80.13 | 19 | 10-32 |

UNIVERSAL ACCESSORIES

- Rack Panels [Page 90](#)
- Ventilated rack panels [Page 92](#)
- Panel mount doors & chassis [Page 94](#)
- Shelves & slides [Page 95](#)
- Drawers [Page 101](#)
- Cable management [Page 102](#)
- Rack mount outlet strips [Page 110](#)
- Hardware [Page 127](#)
- Exclusive to this series [Next Page](#)
- Visit our web site for our most [recent accessories](#)

EUROPE

Basingstoke, UK 01256 812812

AUSTRALIA

Queenstown SA, Australia 61-8-8240-2244



CANADA

Guelph, Ontario (519) 822-2960
St. Laurent, Quebec (514) 343-9010

USA

Cheektowaga, NY (716) 630-7030



Aluminum K.D. & Deep Channel - Accessories

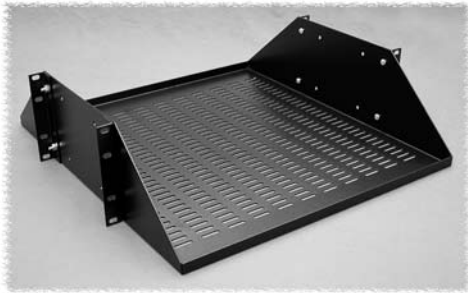
HEAVY DUTY SHELF - DUAL CHANNEL MOUNT

- For use only with relay racks (DNRR series) - tapped front & rear
- Permits front and rear access to modems on open relay racks
- Side brackets allow mounting to either 3" OR 8" deep channel (see photos)
- The vented unit is shown assembled for 8" deep channel, the unvented unit is shown assembled for 3" deep channel
- Uses 5.25" (3U) of vertical panel space
- Choice of 19" or 24" deep (19" deep shown)
- The vented version provides a sturdy shelf without obstructing upward heat movement
- 14-gauge steel construction with a rugged black powder paint finish
- Weight load tested (DNRMU2324BK1) to 300 pounds
- Requires mounting hardware



Unvented

| Part Number | Width (Inches) | Depth (Inches) |
|------------------------------|----------------|----------------|
| DNRMU19BK1 | 19 | 19 |
| DNRMU1924BK1 | 19 | 24 |
| DNRMU23BK1 | 23 | 19 |
| DNRMU2324BK1 | 23 | 24 |



Vented

| Part Number | Width (Inches) | Depth (Inches) |
|------------------------------|----------------|----------------|
| DNRMV19BK1 | 19 | 19 |
| DNRMV1924BK1 | 19 | 24 |
| DNRMV23BK1 | 23 | 19 |
| DNRMV2324BK1 | 23 | 24 |

Relay

MONITOR SHELF - DUAL CHANNEL MOUNT



- For use only with relay racks (DNRR series) - tapped front & rear
- Mounts to panel rails using 5.25" (3U) of vertical panel space
- Side brackets allow mounting to either 3" OR 8" deep channel. Unit in photo is shown assembled for 3" deep channel
- Uses 5.25" (3U) of vertical panel space
- Overall 19" deep
- Front & rear lip to reduce chance of monitor being pushed off of shelf
- Available in either 19" or 23" rack panel width
- Includes an accessory compartment welded to the front, bottom of the shelf
- 14 Ga. steel construction
- Finished in rugged black textured powder paint
- Weight load tested (DNRMM23BK1) to 300 pounds
- Requires mounting hardware

| Part Number | Width (Inches) | Depth (Inches) |
|----------------------------|----------------|----------------|
| DNRMM19BK1 | 19 | 19 |
| DNRMM23BK1 | 23 | 19 |

DON'T FORGET TO CHECK OUT OUR UNIVERSAL ACCESSORY SECTION FOR PANEL MOUNT SHELVES
PAGE 95



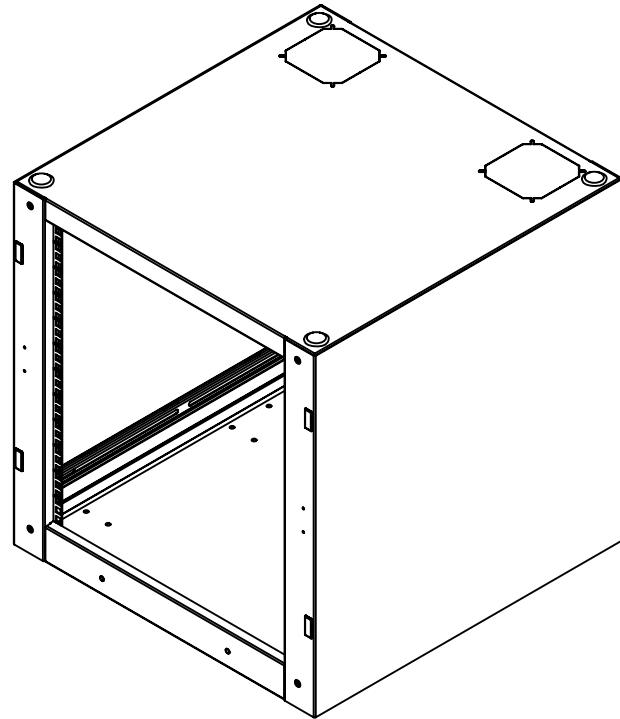
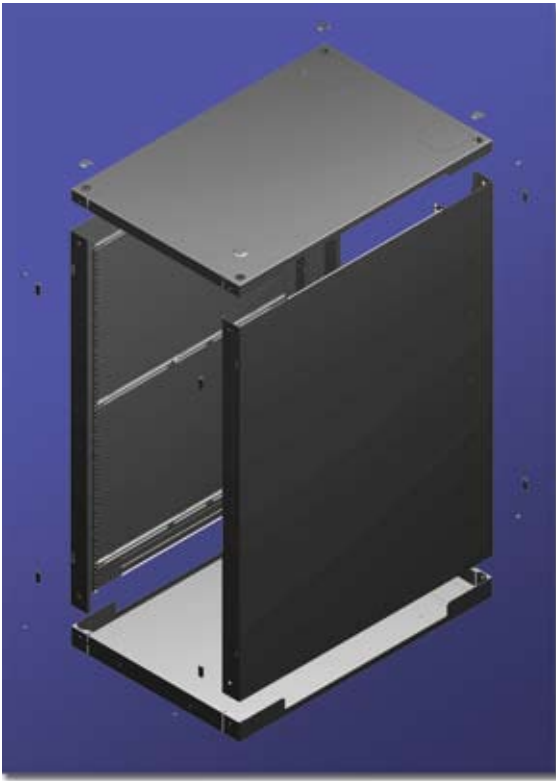


Knockdown Rack Cabinets



Knockdown

SOHO Rack Cabinet (RCSC Series)



[For complete drawing information link here to our website covering this series.](#)

FEATURES

- Perfect for SOHO (Small Office, Home Office) applications for servers, storage & networking.
- Supplied unassembled (four cabinet pieces & four rails), requires only a phillips screwdriver to assemble.
- Simple assembly using one bolt in each corner to lock the sides to the top and bottom (hardware included) - see assembly instructions.
- Shipped in a flat pack container for handling ease & protection (see photo below).
- Heavy duty construction, 16-gauge steel, 19" rack mount cabinet.
- Choice of two panel heights 21" (12U) or 42" (24U) panel height.
- The 21" 12U version is 25" high overall (no casters) and is designed to fit under most desks.
- Expandable in the future - easily stacks and/or gangs to other RCSC units (see accessories). Requires buying kit (RCSCBAY) to lock cabinets together.
- Panel rails are custom made, 14 gauge steel - infinitely adjustable (front to back), square hole punched for cage-nuts to full EIA hole centers (5/8 - 5/8 - 1/2 inch spacing), painted with smooth black powder paint.
- Includes two pairs of panel rails (for rear support of heavier equipment), a starter pack of (50) 10-32 cagenuts & matching 1421ABK black screws.
- Overall width of 24" (610 mm) provides ample space for most cabling requirements.
- Generous cable-entry "punch-outs" with gasket strip material included.
- Optional doors (three versions available), fans and casters (see accessories).
- Perforated door suggested for most server applications. Perforated doors meet server manufacturer Free-Air-Ratio (FAR) requirements of 65%.
- Front & back lip is .75" (19.1 mm) so usable depth is reduced by 1.5" (38.1 mm).
- Recommended maximum weight - 1,500 pounds (682 kg).
- Rugged textured black powder paint finish.

SOHO Rack Cabinet (RCSC Series)

24.5" (622 mm) Deep Usable Mounting Depth = 23" (584 mm)

| Part Number | Panel Height | | Overall Dimensions | | | Weight |
|----------------|--------------|-------|---------------------|----------------|----------------|----------------|
| | Inches | Units | Height (No Casters) | Width | Depth | |
| RCSC1902124BK1 | 21.00 | 12U | 25.28" (642 mm) | 24.0" (610 mm) | 24.5" (622 mm) | 86# (39.1 kg) |
| RCSC1904224BK1 | 42.00 | 24U | 46.28" (1,176 mm) | 24.0" (610 mm) | 24.5" (622 mm) | 120# (54.5 kg) |

31.5" (800 mm) Deep Usable Mounting Depth = 30.0" (762 mm)

| Part Number | Panel Height | | Overall Dimensions | | | Weight |
|----------------|--------------|-------|---------------------|----------------|----------------|----------------|
| | Inches | Units | Height (No Casters) | Width | Depth | |
| RCSC1902131BK1 | 21.00 | 12U | 25.28" (642 mm) | 24.0" (610 mm) | 31.5" (800 mm) | 100# (45.5 kg) |
| RCSC1904231BK1 | 42.00 | 24U | 46.28" (1,176 mm) | 24.0" (610 mm) | 31.5" (800 mm) | 145# (65.9 kg) |

36" (914 mm) Deep - Extended Rear Cable Space Version Usable Mounting Depth = 30.0" (762 mm)

| Part Number | Panel Height | | Overall Dimensions | | | Weight |
|----------------|--------------|-------|---------------------|----------------|----------------|----------------|
| | Inches | Units | Height (No Casters) | Width | Depth | |
| RCSC1902136BK1 | 21.00 | 12U | 25.28" (642 mm) | 24.0" (610 mm) | 36.0" (914 mm) | 110# (50.0 kg) |
| RCSC1904236BK1 | 42.00 | 24U | 46.28" (1,176 mm) | 24.0" (610 mm) | 36.0" (914 mm) | 135# (61.4 kg) |

RCSC SERIES ACCESSORIES

Locking Doors

- Doors are available in three versions. Perforated (to meet server manufacturer Free-Air-Ratio (FAR) requirements of 65%), solid and vented versions.
- Doors can be added later even if rack is fully loaded - as mounting uses a unique "snap-in" secure hinge mount from the outside.
- Rack assembly screws are behind the door for complete security.
- 16-gauge steel construction.
- Front & back of "RCSC" rack cabinet is pre-punched to accept these doors. Includes mounting hardware.
- Mounts either right or left hand hinge (door & cabinet are symmetrical).
- Includes installed lock and two keys
- Finished in rugged textured black powder paint.

| Part Number | Description |
|----------------|----------------------------|
| RCSC19021PDBK1 | 12U Perforated Door & lock |
| RCSC19021SDBK1 | 12U Solid Door & lock |
| RCSC19021VDBK1 | 12U Vented Door & lock |
| RCSC19042PDBK1 | 24U Perforated Door & lock |
| RCSC19042SDBK1 | 24U Solid Door & lock |
| RCSC19042VDBK1 | 24U Vented Door & lock |

Castors (Sold in sets of four)

| Part Number | Rated Weight Load | Description |
|-------------|-------------------|------------------------------|
| 1425P | 400# (182 kg) | Light Duty (stem mount) |
| 1425BH | 1,050# (477 kg) | Heavy Duty (four bolt mount) |

RSRC Option Kits

| Part Number | Description |
|-------------|---|
| RCSCATIP | Anti-Tip brackets - mount to front (or back) of unit |
| RCSCBAY | Required to connect two RCSC units together - allows units to be stacked vertically or ganged horizontally. |
| RCSCFAN | 2 (two) 115 VAC fan kit with power cord |

UNIVERSAL ACCESSORIES

- Rack panels [Page 90](#)
- Ventilated rack panels [Page 92](#)
- Panel mount doors & chassis [Page 94](#)
- Shelves & slides [Page 95](#)
- Drawers [Page 101](#)
- Cable management [Page 102](#)
- Cooling & ventilating [Page 105](#)
- Rack mount outlet strips [Page 110](#)
- Hardware [Page 127](#)
- Visit our web site for our most [recent accessories](#)

EUROPE

Basingstoke, UK 01256 812812

AUSTRALIA

Queenstown SA, Australia 61-8-8240-2244



CANADA

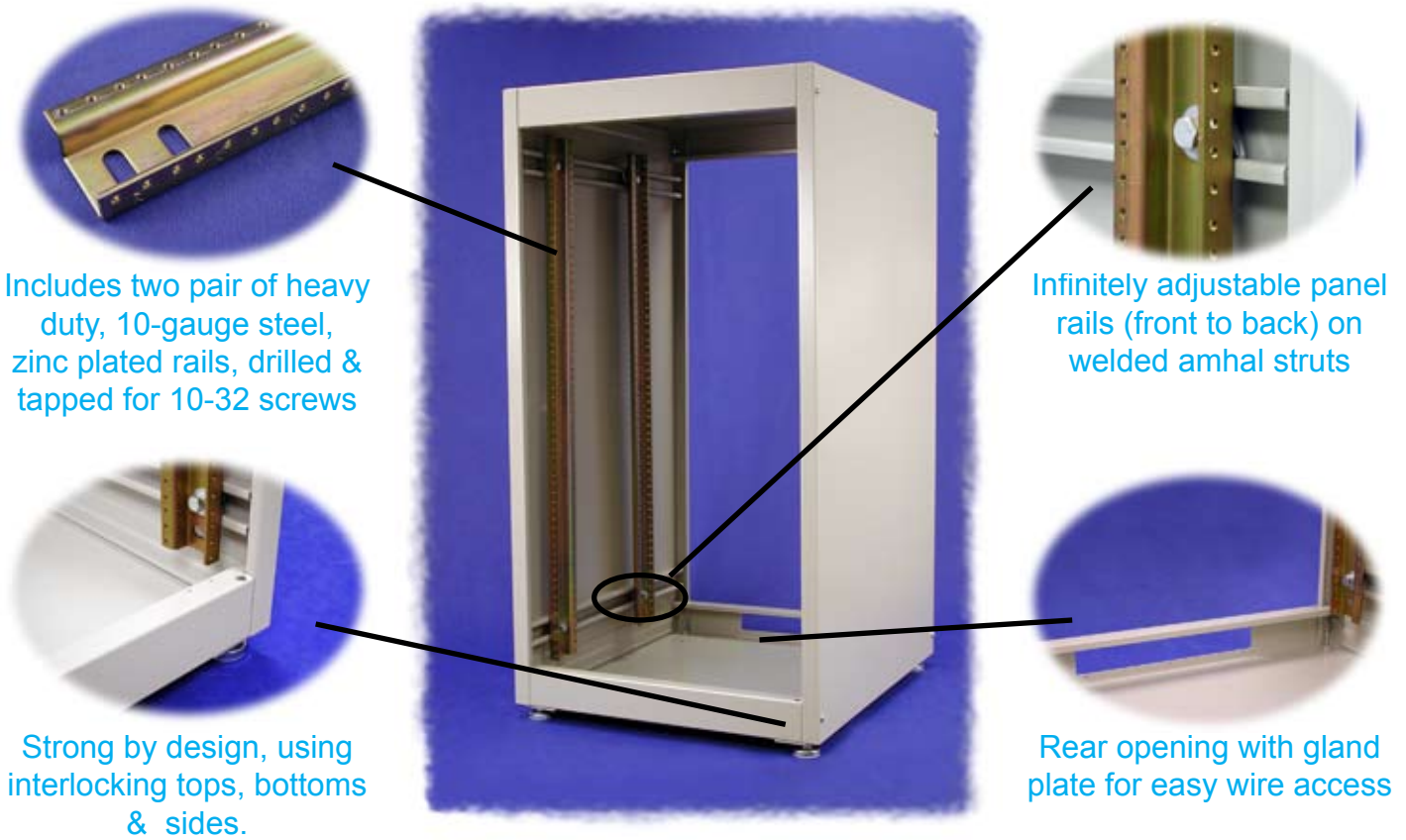
Guelph, Ontario (519) 822-2960
St. Laurent, Quebec (514) 343-9010

USA

Cheektowaga, NY (716) 630-7030



Rack Cabinet (REFK Series)



FEATURES

- Standard 19" panel width - 21.34" (542 mm) overall width.
- Choice of three available depths: 17.5" (444 mm), 24.5" (622 mm) or 31.5" (800 mm) overall - see tables for usable depth information.
- Knockdown rack unit is shipped in a flat pack container for easy handling and shipping protection.
- Heavy duty 16-gauge solid steel top, bottom and sides.
- Four heavy duty, 10-gauge, zinc plated steel, drilled & tapped 10-32 vertical combination rails on EIA universal spacing (5/8 - 5/8 - 1/2 inch) included.
- Rails are infinitely adjustable (front to back) on horizontal amhal struts welded to the sides of the rack.
- Simple assembly using one bolt in each corner to lock the sides to the top and bottom.
- Removable gland plate on rear bottom - over 10" (254 mm) long x 1.5" (38 mm) high.
- Four oversized, adjustable, nylon based levelling feet and all hardware included.
- Recommended maximum weight (REFK1907731 tested) - 1,000 pounds (455 kg).
- Finished with a rugged powder paint.
- Stocked in Black & Light Gray (RAL7035).

Shipped in a flat pack container for handling ease & protection...

Perfect for tight access areas or one person installations...

*Rack is knocked down into 5 easy to handle parts
(ie...two sides, top, bottom and a pack of 4 panel rails)...*



Easy Assembly...



5

Mount both pairs of tapped panel rails and YOU'RE DONE!



4

Slide top into sides, lock together with 8 corner screws...



3

Slide both sides into base...



2

Screw levelling feet into base...



1

Unpack from flat shipping container...

Knockdown

Heavy-Duty Construction!

EUROPE

Basingstoke, UK 01256 812812

AUSTRALIA

Queenstown SA, Australia 61-8-8240-2244



CANADA

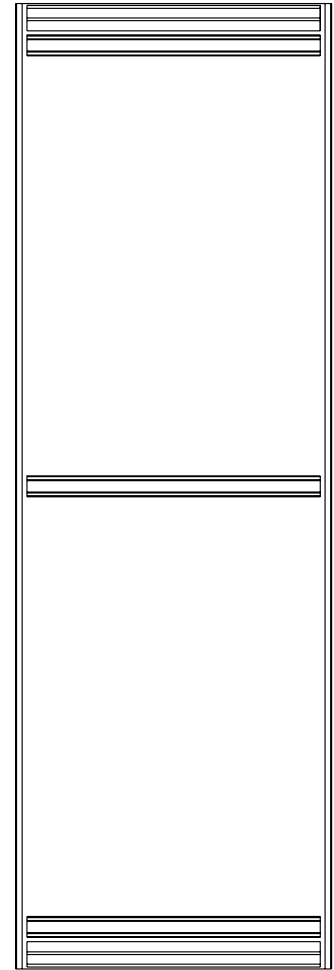
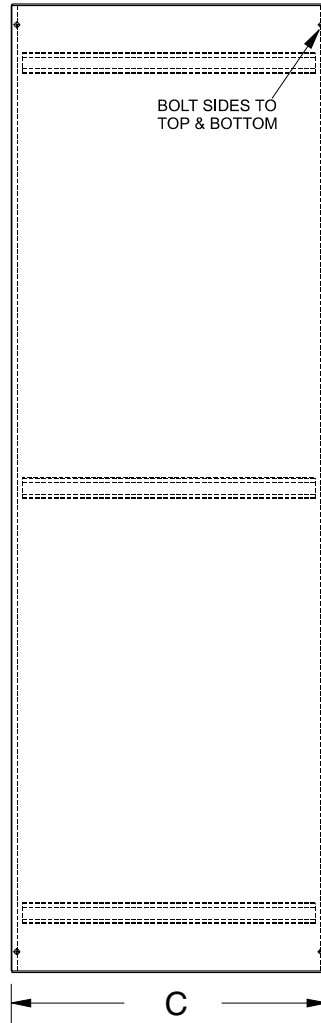
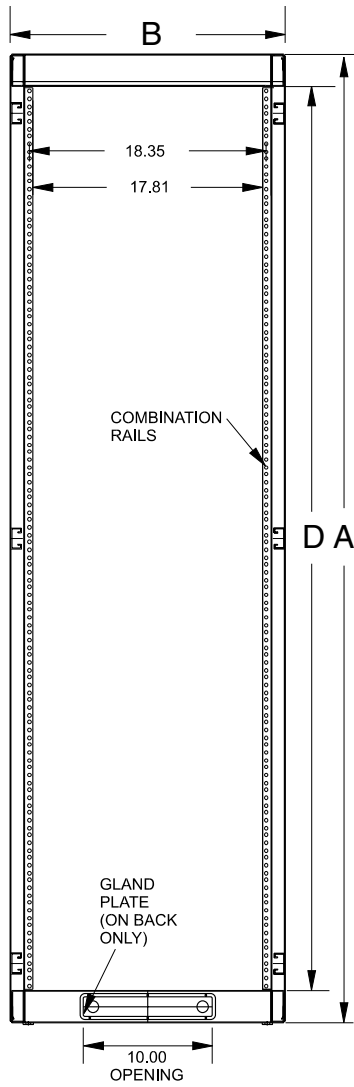
Guelph, Ontario (519) 822-2960
St. Laurent, Quebec (514) 343-9010

USA

Cheektowaga, NY (716) 630-7030



Rack Cabinet (REFK Series)



Knockdown

Front / Rear View

Side View

Side Cross Section

[For complete drawing information link here to our website covering this series.](#)

Rack Cabinet (REFK Series)

17.5" (444 mm) Deep

Usable depth = 16.5" (419 mm) without doors, 16" (406 mm) with doors

| Part Number | | Panel Height | | Overall Dimensions | | | Weight |
|----------------|---------------------|--------------|-------|--------------------|-----------------|-------------------|----------------|
| Black Textured | Light Gray Textured | Inches | Units | Height (A) | Width (B) | Panel Opening (D) | |
| REFK1903517BK1 | REFK1903517LG1 | 35" | 20U | 40.19" (1,021 mm) | 21.34" (542 mm) | 35.19" (894 mm) | 90# (41.0 kg) |
| REFK1904217BK1 | REFK1904217LG1 | 42" | 24U | 47.19" (1,199 mm) | 21.34" (542 mm) | 42.19" (1,072 mm) | 104# (47.3 kg) |
| REFK1904917BK1 | REFK1904917LG1 | 49" | 28U | 54.19" (1,376 mm) | 21.34" (542 mm) | 49.19" (1,249 mm) | 112# (50.9 kg) |
| REFK1905617BK1 | REFK1905617LG1 | 56" | 32U | 61.19" (1,554 mm) | 21.34" (542 mm) | 56.19" (1,427 mm) | 123# (55.9 kg) |
| REFK1906317BK1 | REFK1906317LG1 | 63" | 36U | 68.19" (1,732 mm) | 21.34" (542 mm) | 63.19" (1,601 mm) | 134# (60.9 kg) |
| REFK1907017BK1 | REFK1907017LG1 | 70" | 40U | 75.19" (1,910 mm) | 21.34" (542 mm) | 70.19" (1,783 mm) | 144# (65.5 kg) |
| REFK1907717BK1 | REFK1907717LG1 | 77" | 44U | 82.19" (2,088 mm) | 21.34" (542 mm) | 77.19" (1,961 mm) | 154# (70.0 kg) |

24.5" (622 mm) Deep

Usable depth of 23.5" (597 mm) without doors, 23" (584 mm) with doors

| Part Number | | Panel Height | | Overall Dimensions | | | Weight |
|----------------|---------------------|--------------|-------|--------------------|-----------------|-------------------|----------------|
| Black Textured | Light Gray Textured | Inches | Units | Height (A) | Width (B) | Panel Opening (D) | |
| REFK1903524BK1 | REFK1903524LG1 | 35" | 20U | 40.19" (1,021 mm) | 21.34" (542 mm) | 35.19" (894 mm) | 116# (52.7 kg) |
| REFK1904224BK1 | REFK1904224LG1 | 42" | 24U | 47.19" (1,199 mm) | 21.34" (542 mm) | 42.19" (1,072 mm) | 124# (56.4 kg) |
| REFK1904924BK1 | REFK1904924LG1 | 49" | 28U | 54.19" (1,376 mm) | 21.34" (542 mm) | 49.19" (1,249 mm) | 140# (63.6 kg) |
| REFK1905624BK1 | REFK1905624LG1 | 56" | 32U | 61.19" (1,554 mm) | 21.34" (542 mm) | 56.19" (1,427 mm) | 146# (66.4 kg) |
| REFK1906324BK1 | REFK1906324LG1 | 63" | 36U | 68.19" (1,732 mm) | 21.34" (542 mm) | 63.19" (1,601 mm) | 162# (73.6 kg) |
| REFK1907024BK1 | REFK1907024LG1 | 70" | 40U | 75.19" (1,910 mm) | 21.34" (542 mm) | 70.19" (1,783 mm) | 178# (80.9 kg) |
| REFK1907724BK1 | REFK1907724LG1 | 77" | 44U | 82.19" (2,088 mm) | 21.34" (542 mm) | 77.19" (1,961 mm) | 190# (86.4 kg) |

31.5" (800 mm) Deep

Usable depth of 30.5" (775 mm) without doors, 30" (762 mm) with doors

| Part Number | | Panel Height | | Overall Dimensions | | | Weight |
|----------------|---------------------|--------------|-------|--------------------|-----------------|-------------------|-----------------|
| Black Textured | Light Gray Textured | Inches | Units | Height (A) | Width (B) | Panel Opening (D) | |
| REFK1903531BK1 | REFK1903531LG1 | 35" | 20U | 40.19" (1,021 mm) | 21.34" (542 mm) | 35.19" (894 mm) | 136# (61.8 kg) |
| REFK1904231BK1 | REFK1904231LG1 | 42" | 24U | 47.19" (1,199 mm) | 21.34" (542 mm) | 42.19" (1,072 mm) | 154# (70.0 kg) |
| REFK1904931BK1 | REFK1904931LG1 | 49" | 28U | 54.19" (1,376 mm) | 21.34" (542 mm) | 49.19" (1,249 mm) | 170# (77.3 kg) |
| REFK1905631BK1 | REFK1905631LG1 | 56" | 32U | 61.19" (1,554 mm) | 21.34" (542 mm) | 56.19" (1,427 mm) | 180# (81.8 kg) |
| REFK1906331BK1 | REFK1906331LG1 | 63" | 36U | 68.19" (1,732 mm) | 21.34" (542 mm) | 63.19" (1,601 mm) | 190# (86.4 kg) |
| REFK1907031BK1 | REFK1907031LG1 | 70" | 40U | 75.19" (1,910 mm) | 21.34" (542 mm) | 70.19" (1,783 mm) | 198# (90.0 kg) |
| REFK1907731BK1 | REFK1907731LG1 | 77" | 44U | 82.19" (2,088 mm) | 21.34" (542 mm) | 77.19" (1,961 mm) | 226# (102.7 kg) |

UNIVERSAL ACCESSORIES

- Rack panels [Page 90](#)
- Ventilated rack panels [Page 92](#)
- Panel mount doors & chassis [Page 94](#)
- Shelves & slides [Page 95](#)
- Drawers [Page 101](#)
- Cable management [Page 102](#)
- Cooling & ventilating [Page 105](#)
- Rack mount outlet strips [Page 110](#)
- Hardware [Page 127](#)
- Exclusive to this series [Next Page](#)
- Visit our web site for our most [recent accessories](#)

EUROPE

Basingstoke, UK 01256 812812

AUSTRALIA

Queenstown SA, Australia 61-8-8240-2244



CANADA

Guelph, Ontario (519) 822-2960
St. Laurent, Quebec (514) 343-9010

USA

Cheektowaga, NY (716) 630-7030



SOLID FLUSH DOOR

FEATURES



- Flush mounting
- Reversible right or left opening (by inverting door)
- Integral stiffeners provide sturdiness
- Features lockable latch and spring loaded hinge pins for instant installation or removal
- Allows full access to space between panel rails when open (17.8")
- Constructed from 16 gauge steel, folded all four sides to reduce bowing
- Inside of door includes full height, welded, 6" wide, door stiffener
- Finish matches "REFK" type rack in powder paint

| Part Number | | Panel Height | | Use With Rack Part Number Starting With | Weight |
|----------------|---------------------|--------------|-------|---|---------------|
| Black Textured | Light Gray Textured | Inches | Units | | |
| RSDF19035BK1 | RSDF19035LG1 | 35" | 20U | REFK19035... | 13# (5.9 kg) |
| RSDF19042BK1 | RSDF19042LG1 | 42" | 24U | REFK19042... | 18# (8.2 kg) |
| RSDF19049BK1 | RSDF19049LG1 | 49" | 28U | REFK19049... | 26# (11.8 kg) |
| RSDF19056BK1 | RSDF19056LG1 | 56" | 32U | REFK19056... | 30# (13.6 kg) |
| RSDF19063BK1 | RSDF19063LG1 | 63" | 36U | REFK19063... | 33# (15.0 kg) |
| RSDF19070BK1 | RSDF19070LG1 | 70" | 40U | REFK19070... | 37# (16.8 kg) |
| RSDF19077BK1 | RSDF19077LG1 | 77" | 44U | REFK19077... | 41# (18.6 kg) |

LOUVERED FLUSH DOOR

FEATURES



- Opens right hand only with louvers facing down
- Flush mounting
- Integral welded stiffeners provide sturdiness
- Features lockable latch and spring loaded hinge pins for instant installation or removal
- Allows full access to rack space between panel rails when open (17.8")
- Constructed from 16 gauge steel, folded all four sides to reduce bowing
- Inside of door includes full height, welded 6" wide door stiffener
- Finish matches "REFK" type rack in powder paint

| Part Number | | Panel Height | | Use With Rack Part Number Starting With | Weight |
|----------------|---------------------|--------------|-------|---|---------------|
| Black Textured | Light Gray Textured | Inches | Units | | |
| RSDL19035BK1 | RSDL19035LG1 | 35" | 20U | REFK19035... | 13# (5.9 kg) |
| RSDL19042BK1 | RSDL19042LG1 | 42" | 24U | REFK19042... | 18# (8.2 kg) |
| RSDL19049BK1 | RSDL19049LG1 | 49" | 28U | REFK19049... | 26# (11.8 kg) |
| RSDL19056BK1 | RSDL19056LG1 | 56" | 32U | REFK19056... | 30# (13.6 kg) |
| RSDL19063BK1 | RSDL19063LG1 | 63" | 36U | REFK19063... | 33# (15.0 kg) |
| RSDL19070BK1 | RSDL19070LG1 | 70" | 40U | REFK19070... | 37# (16.8 kg) |
| RSDL19077BK1 | RSDL19077LG1 | 77" | 44U | REFK19077... | 41# (18.6 kg) |

Doors & Casters (REFK Series)

PLEXI FLUSH DOOR

FEATURES

- Metal door frame (painted black) and smoked gray plexiglass window
- Flush mounting
- Reversible right or left opening (by inverting door)
- Features lockable latch, magnetic catch and spring loaded hinge pins for instant installation or removal
- Allows full access to space between panel rails when open (17.8")
- Black finish matches "REFK" type rack in powder paint



| Part Number | Panel Height | | Use With Rack Part Number Starting With | Weight |
|-------------------------------|--------------|-------|---|---------------|
| | Inches | Units | | |
| REDFP19035BK1 | 35" | 20U | REFK19035... | 15# (6.8 kg) |
| REDFP19042BK1 | 42" | 24U | REFK19042... | 17# (7.7 kg) |
| REDFP19049BK1 | 49" | 28U | REFK19049... | 19# (8.6 kg) |
| REDFP19056BK1 | 56" | 32U | REFK19056... | 23# (10.5 kg) |
| REDFP19063BK1 | 63" | 36U | REFK19063... | 27# (12.3 kg) |
| REDFP19070BK1 | 70" | 40U | REFK19070... | 30# (13.6 kg) |
| REDFP19077BK1 | 77" | 44U | REFK19077... | 33# (15.0 kg) |

LIGHT DUTY CASTERS

- Set of four light duty casters.
- Weight capacity (set of four) 400# (182 kg).
- No drilling required.
- **NOTE:** For REFK (and RCSC series) - knockdown racks ONLY.
- Single hole mount - used in place of levelling feet in the base of REFK series rack, using the 5/16" - 18 threaded stem.
- Wheel diameter 2.37" (60.2 mm).
- Adds 2.75" (70 mm) to overall rack height.
- Twin nylon swivel wheels with zinc axles and decorative hoods - perfect for office or high profile environments.
- PART NUMBER: **1425P**



Knockdown

HEAVY DUTY CASTERS

- Set of four medium duty casters.
- Four bolt mounting to existing hole pattern in base of REFK series rack.
- No drilling required.
- **NOTE:** For REFK (and RCHS, RCHV, RCSC series) - knockdown racks ONLY.
- Features ball bearing swivel and hard composition wheels.
- Weight capacity 600# (273 kg).
- Small foot print 2.125" (54 mm) x 15/16" (23.8 mm) hole mounting pattern.
- Wheels are grey & 2" (50.8 mm) wheel diameter .
- Adds only 2.5" (63.5 mm) to overall rack height.
- Includes mounting hardware.
- PART NUMBER: **1425PHD**



EUROPE

Basingstoke, UK 01256 812812

AUSTRALIA

Queenstown SA, Australia 61-8-8240-2244



CANADA

Guelph, Ontario (519) 822-2960
St. Laurent, Quebec (514) 343-9010

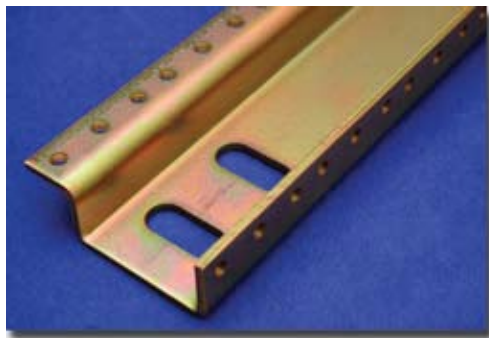
USA

Cheektowaga, NY (716) 630-7030



Additional Panel Rails (REFK Series)

ADDITIONAL TAPPED RAILS



- **SOLD IN PAIRS**
- Drilled and tapped (10-32).
- Heavy duty construction - formed from 10 gauge steel - Zinc plated finish.
- Full EIA hole centers (5/8 - 5/8 - 1/2 inch spacing)
- Bolts vertically in cabinet to amhal struts
- Includes strut mounting hardware, panel mounting hardware available in the Accessories section.
- Front of rail allows for 19" panel rack mounting
- Rear of rail flange for rear equipment support or accessory mounting.

Reminder:
REFK series racks
INCLUDE two pair of these
tapped rails

| Part Number | Panel Height | | Use With Rack Part Number Starting With | Weight |
|-------------|--------------|-------|---|---------------|
| | Inches | Units | | |
| CCR35TZPL | 35" | 20U | REFK19035... | 10# (4.5 kg) |
| CCR42TZPL | 42" | 24U | REFK19042... | 12# (5.5 kg) |
| CCR49TZPL | 49" | 28U | REFK19049... | 14# (6.4 kg) |
| CCR56TZPL | 56" | 32U | REFK19056... | 15# (6.8 kg) |
| CCR63TZPL | 63" | 36U | REFK19063... | 18# (8.2 kg) |
| CCR70TZPL | 70" | 40U | REFK19070... | 20# (9.1 kg) |
| CCR77TZPL | 77" | 44U | REFK19077... | 35# (15.9 kg) |

SQUARE HOLE RAILS



- **SOLD IN PAIRS**
- Square hole punched allowing choice of hardware for 10-32 or 12-24 or M6 thread cage nuts.
- Includes a hardware starter quantity (25) of 10-32 cage nuts.
- Heavy duty construction - formed from 12 gauge steel - Zinc plated finish.
- Full EIA hole centers (5/8 - 5/8 - 1/2 inch spacing)
- Bolts vertically in cabinet to amhal struts
- Includes strut mounting hardware, panel mounting hardware available in the Accessories section.
- Front of rail allows for 19" panel rack mounting.
- Rear "L" of rail for rear equipment support or accessory mounting.

Reminder:
REFK series racks
INCLUDE two pair of
tapped rails

Additional Cage Nuts

| Part Number | Thread | Qty Per Package |
|-------------|----------|-----------------|
| 1421CNA25 | 10-32 | 25 |
| 1421CNA100 | 10-32 | 100 |
| 1421CNA250 | 10-32 | 250 |
| 1421CNB25 | M6 | 25 |
| 1421CNB100 | M6 | 100 |
| 1421CNB250 | M6 | 250 |
| 1421CNC25 | 12-24 | 25 |
| 1421CNC100 | 12-24 | 100 |
| 1421CND25 | 1/4 x 20 | 25 |
| 1421CND100 | 1/4 x 20 | 100 |
| 1421CND150 | 1/4 x 20 | 150 |

| Part Number | Panel Height | | Use With Rack Part Number Starting With | Weight |
|-------------|--------------|-------|---|--------------|
| | Inches | Units | | |
| CPR35SZPL | 35" | 20U | REFK19035... | 6# (2.7 kg) |
| CPR42SZPL | 42" | 24U | REFK19042... | 6# (2.7 kg) |
| CPR49SZPL | 49" | 28U | REFK19049... | 8# (3.6 kg) |
| CPR56SZPL | 56" | 32U | REFK19056... | 9# (4.1 kg) |
| CPR63SZPL | 63" | 36U | REFK19063... | 10# (4.5 kg) |
| CPR70SZPL | 70" | 40U | REFK19070... | 12# (5.5 kg) |
| CPR77SZPL | 77" | 44U | REFK19077... | 13# (5.9 kg) |

Cage Nut Installation Tool



- Allows for easy installation of cage nuts in square rail hole
- Spring steel tool
- Part Number **RCNIT**



Welded Rack Cabinets



Assembled

Welded

Assembled

General Purpose - Rapid Rack (C2RR Series)



**RAPID RACK
POPULAR CONFIGURATIONS
(See Page 53 For Component Parts)**

FEATURES

- Unit is shipped complete (**NO ASSEMBLY REQUIRED**)
- Choice of two depths 23.6" or 31.5" (21.63 or 29.5 usable depth)
- Heavy duty - Recommended maximum weight (C2F247836 tested) - 1,500 pounds
- Standard 19" panel width (23" overall width)
- **Unit includes:**
 - two removable side panels (with 1/4 turn latches)
 - four infinitely adjustable, tapped combination rack mount rails (full E.I.A. spacing)
 - one solid flush mount door (can be either front or back as rack is symmetrical) - locking with 2 keys
 - solid top
 - four leveling feet
- Heavy duty 14 gauge steel frame
- Formed 16 gauge steel side panels are recessed to fit flush with the sides of the cabinet
- Welded corner reinforcements
- Opening in bottom for cable entry
- Panel rails are zinc plated, 10 gauge steel, drilled and tapped 10-32
- Finished in a rugged, textured powder paint

UNIVERSAL ACCESSORIES

- Rack panels [Page 90](#)
- Ventilated rack panels [Page 92](#)
- Panel mount doors & chassis [Page 94](#)
- Shelves & slides [Page 95](#)
- Drawers [Page 101](#)
- Cable management [Page 102](#)
- Cooling [Page 105](#)
- Rack mount outlet strips [Page 110](#)
- Hardware [Page 127](#)
- Exclusive to this series [Page 53](#)
- Visit our web site for our most [recent accessories](#)



ASSEMBLED
Shipped on its own skid
for handling ease &
protection
FROM STOCK!

Assembled

Welded

42



CANADA

Guelph, Ontario (519) 822-2960
St. Laurent, Quebec (514) 343-9010

USA

Cheektowaga, NY (716) 630-7030



EUROPE

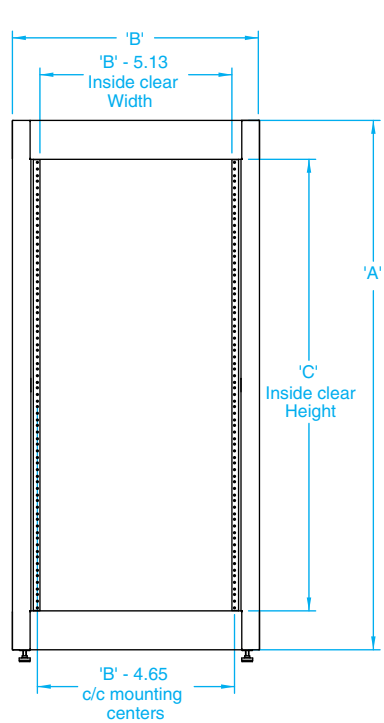
Basingstoke, UK 01256 812812

AUSTRALIA

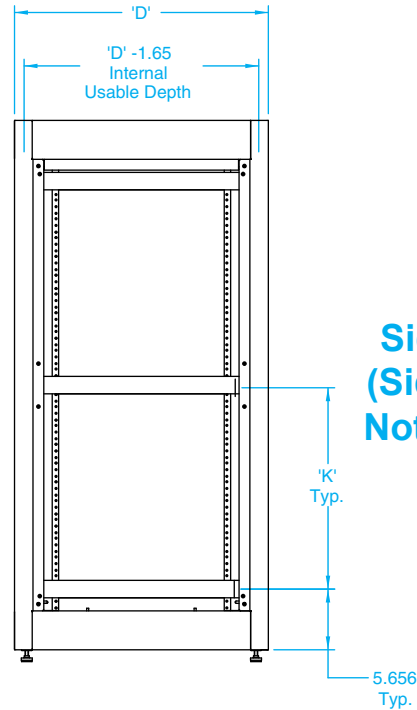
Queenstown SA, Australia 61-8-8240-2244

General Purpose - Rapid Rack (C2RR Series)

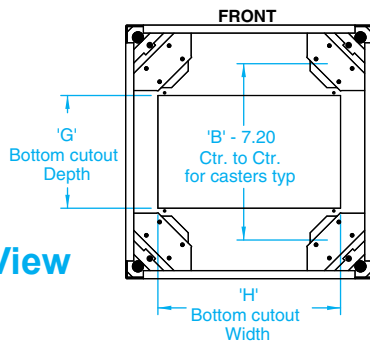
Front View



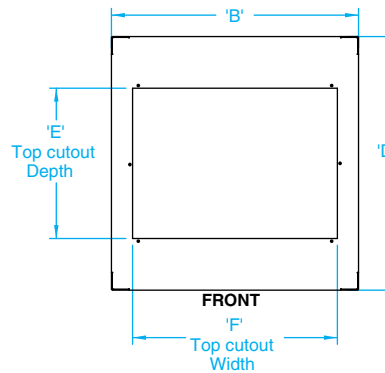
Side View
(Side Panel
Not Shown)



Bottom View



Top View
(Top Cover
Not Shown)



Assembled

Welded

23.63" Deep (Usable Depth = 21.63")

| Part Number | | Dimensions (Inches) | | | | | | | | | |
|----------------|----------------|---------------------|-------|---------|-------|-------|------------|-------|---------------|-------|---------------|
| | | Panel Height | | Overall | | | Top Cutout | | Bottom Cutout | | Strut Spacing |
| | | | | Height | Width | Depth | Depth | Width | Depth | Width | |
| Black Textured | Beige Textured | C | Units | A | B | D | E | F | G | H | K |
| C2RR194223BK1 | C2RR194223CG1 | 42.06 | 24 | 49.31 | 23 | 23.63 | 14 | 19 | 10.5 | 17 | 19.00 |
| C2RR196323BK1 | C2RR196323CG1 | 63.06 | 36 | 70.31 | 23 | 23.63 | 14 | 19 | 10.5 | 17 | 29.50 |
| C2RR197023BK1 | C2RR197023CG1 | 70.06 | 40 | 77.31 | 23 | 23.63 | 14 | 19 | 10.5 | 17 | 33.00 |
| C2RR197823BK1 | C2RR197823CG1 | 78.81 | 45 | 86.06 | 23 | 23.63 | 14 | 19 | 10.5 | 17 | 37.38 |

31.5" Deep (Usable Depth = 29.5")

| Part Number | | Dimensions (Inches) | | | | | | | | | |
|----------------|----------------|---------------------|-------|---------|-------|-------|------------|-------|---------------|-------|---------------|
| | | Panel Height | | Overall | | | Top Cutout | | Bottom Cutout | | Strut Spacing |
| | | | | Height | Width | Depth | Depth | Width | Depth | Width | |
| Black Textured | Beige Textured | C | Units | A | B | D | E | F | G | H | K |
| C2RR194231BK1 | C2RR194231CG1 | 42.06 | 24 | 49.31 | 23 | 31.50 | 22.75 | 19 | 17.5 | 17 | 19.00 |
| C2RR196331BK1 | C2RR196331CG1 | 63.06 | 36 | 70.31 | 23 | 31.50 | 22.75 | 19 | 17.5 | 17 | 29.50 |
| C2RR197031BK1 | C2RR197031CG1 | 70.06 | 40 | 77.31 | 23 | 31.50 | 22.75 | 19 | 17.5 | 17 | 33.00 |
| C2RR197831BK1 | C2RR197831CG1 | 78.81 | 45 | 86.06 | 23 | 31.50 | 22.75 | 19 | 17.5 | 17 | 37.38 |

EUROPE

Basingstoke, UK 01256 812812

AUSTRALIA

Queenstown SA, Australia 61-8-8240-2244



CANADA

Guelph, Ontario (519) 822-2960
St. Laurent, Quebec (514) 343-9010

USA

Cheektowaga, NY (716) 630-7030



LAN/DATA - Rapid Rack (C2RR Series)



**RAPID RACK
POPULAR CONFIGURATIONS
(See Page 53 or 67 For Component Parts)**

FEATURES

- Pre-configured especially for LAN/DATA use
- Unit is shipped complete (**NO ASSEMBLY REQUIRED**)
- Choice of two depths (23.6" or 31.5" usable depth)
- Heavy duty - Recommended maximum weight (C2F247836 tested) - 1,500 pounds
- Standard 19" (23" overall width) or 24" (28" overall width) panel width
- 24" rack mount versions can be converted to 19" rack mount by using our part number **CAK1924** (page 60) adapter kit (this method allows for extra internal wiring room around panel mounted equipment).
- **Unit includes:**
 - two removable side panels (with 1/4 turn latches)
 - four infinitely adjustable, tapped combination rack mount rails (full E.I.A. spacing)
 - one plexi glass flush mount front door (locking with 2 keys)
 - one louvered flush mount rear door (locking with 2 keys)
 - vented top with 4 cable entry holes and removable hole covers
 - four leveling feet
- Heavy duty 14 gauge steel frame
- Formed 16 gauge steel side panels are recessed to fit flush with the sides of the cabinet
- Opening in bottom for cable entry
- Panel rails are zinc plated, 10 gauge steel, drilled and tapped 10-32
- Finished in a rugged, textured powder paint

UNIVERSAL ACCESSORIES

- Rack panels [Page 90](#)
- Ventilated rack panels [Page 92](#)
- Panel mount doors & chassis [Page 94](#)
- Shelves & slides [Page 95](#)
- Drawers [Page 101](#)
- Cable management [Page 102](#)
- Cooling [Page 105](#)
- Rack mount outlet strips [Page 110](#)
- Hardware [Page 127](#)
- Exclusive components to this series [Page 53 or 67](#)



ASSEMBLED
Shipped on its own skid
for handling ease &
protection
FROM STOCK!

Assembled

Welded

44



CANADA

Guelph, Ontario (519) 822-2960
St. Laurent, Quebec (514) 343-9010

USA

Cheektowaga, NY (716) 630-7030



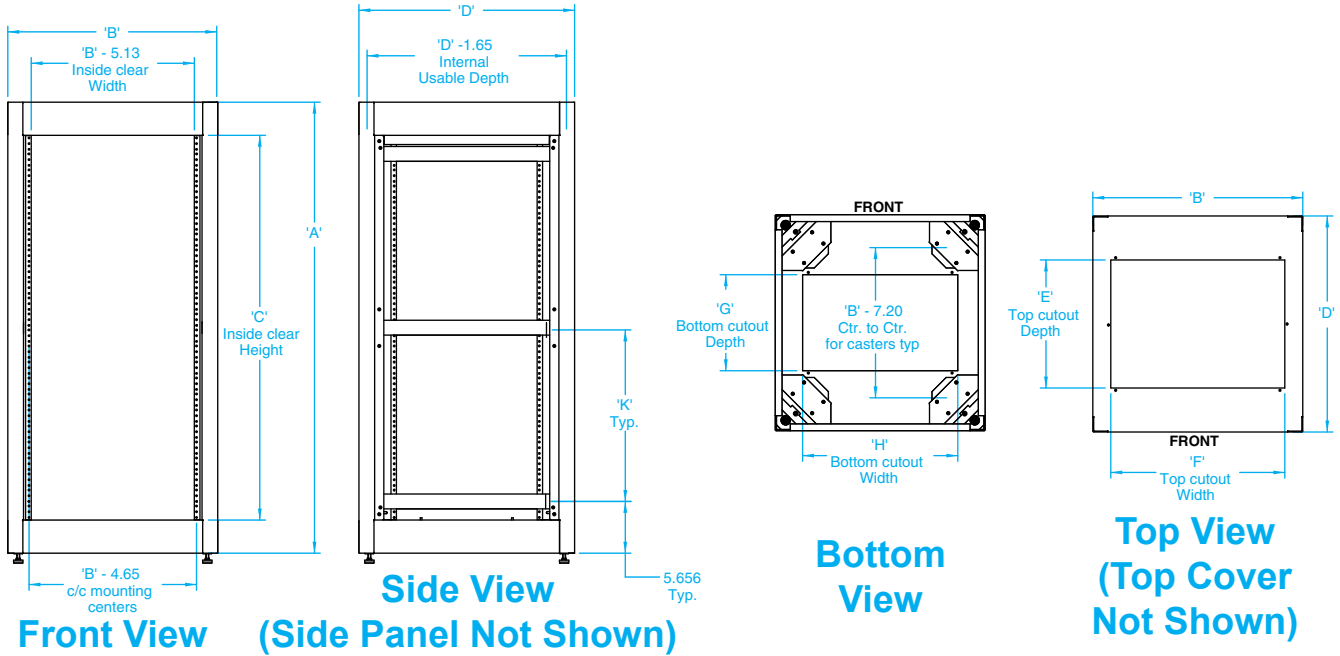
EUROPE

Basingstoke, UK 01256 812812

AUSTRALIA

Queenstown SA, Australia 61-8-8240-2244

LAN/DATA - Rapid Rack (C2RR Series)



19" Rack Mount Versions

23.63" Deep (Usable Depth = 21.63")

| Part Number | | Dimensions (Inches) | | | | | | | | | |
|----------------|----------------|---------------------|-------|---------|-------|-------|------------|-------|---------------|-------|---------------|
| | | Panel Height | | Overall | | | Top Cutout | | Bottom Cutout | | Strut Spacing |
| | | | | Height | Width | Depth | Depth | Width | Depth | Width | |
| Black Textured | Beige Textured | C | Units | A | B | D | E | F | G | H | K |
| C2RR197023DBK1 | C2RR197023DCG1 | 70.06 | 40 | 77.31 | 23 | 23.63 | 14 | 19 | 10.5 | 17 | 33.00 |
| C2RR197823DBK1 | C2RR197823DCG1 | 78.81 | 45 | 86.06 | 23 | 23.63 | 14 | 19 | 10.5 | 17 | 37.38 |

31.5" Deep (Usable Depth = 29.5")

| Part Number | | Dimensions (Inches) | | | | | | | | | |
|----------------|----------------|---------------------|-------|---------|-------|-------|------------|-------|---------------|-------|---------------|
| | | Panel Height | | Overall | | | Top Cutout | | Bottom Cutout | | Strut Spacing |
| | | | | Height | Width | Depth | Depth | Width | Depth | Width | |
| Black Textured | Beige Textured | C | Units | A | B | D | E | F | G | H | K |
| C2RR197031DBK1 | C2RR197031DCG1 | 70.06 | 40 | 77.31 | 23 | 31.50 | 22.75 | 19 | 17.5 | 17 | 33.00 |
| C2RR197831DBK1 | C2RR197831DCG1 | 78.81 | 45 | 86.06 | 23 | 31.50 | 22.75 | 19 | 17.5 | 17 | 37.38 |

24" Rack Mount Versions

23.63" Deep (Usable Depth = 21.63")

| Part Number | | Dimensions (Inches) | | | | | | | | | |
|----------------|----------------|---------------------|-------|---------|-------|-------|------------|-------|---------------|-------|---------------|
| | | Panel Height | | Overall | | | Top Cutout | | Bottom Cutout | | Strut Spacing |
| | | | | Height | Width | Depth | Depth | Width | Depth | Width | |
| Black Textured | Beige Textured | C | Units | A | B | D | E | F | G | H | K |
| C2RR247023DBK1 | C2RR247023DCG1 | 70.06 | 40 | 77.31 | 28 | 23.63 | 14 | 24 | 10.5 | 17 | 33.00 |
| C2RR247823DBK1 | C2RR247823DCG1 | 78.81 | 45 | 86.06 | 28 | 23.63 | 14 | 24 | 10.5 | 17 | 37.38 |

31.5" Deep (Usable Depth = 29.5")

| Part Number | | Dimensions (Inches) | | | | | | | | | |
|----------------|----------------|---------------------|-------|---------|-------|-------|------------|-------|---------------|-------|---------------|
| | | Panel Height | | Overall | | | Top Cutout | | Bottom Cutout | | Strut Spacing |
| | | | | Height | Width | Depth | Depth | Width | Depth | Width | |
| Black Textured | Beige Textured | C | Units | A | B | D | E | F | G | H | K |
| C2RR247031DBK1 | C2RR247031DCG1 | 70.06 | 40 | 77.31 | 28 | 31.50 | 22.75 | 24 | 17.5 | 17 | 33.00 |
| C2RR247831DBK1 | C2RR247831DCG1 | 78.81 | 45 | 86.06 | 28 | 31.50 | 22.75 | 24 | 17.5 | 17 | 37.38 |

Assembled

Welded

EUROPE

Basingstoke, UK 01256 812812

AUSTRALIA

Queenstown SA, Australia 61-8-8240-2244



CANADA

Guelph, Ontario (519) 822-2960
St. Laurent, Quebec (514) 343-9010

USA

Cheektowaga, NY (716) 630-7030



SERVER - Rapid Rack (C2RR Series)



**RAPID RACK
POPULAR CONFIGURATION
(See Page 67 For Component Parts)**

FEATURES

- Pre-configured especially for large server installations
- Unit is shipped complete (**NO ASSEMBLY REQUIRED**)
- Usable depth of 34" (36" overall)
- Heavy duty - Recommended maximum weight (C2F247836 tested) - 1,500 pounds
- Standard 19" rack mount with extra wiring room around rails (unit is a 24" rack converted to 19" rack mount)
- **Unit includes:**
 - two removable and lockable side panels (with 1/4 turn latches)
 - four infinitely adjustable, square hole combination rack mount rails (full E.I.A. spacing)
 - starter pack of 50, 10-32 square hole mount cage nuts (see accessory section for choice of 10-32, 12-24 or M6 thread cage nuts)
 - one vented plexi glass flush mount front door (locking with 2 keys) - with magnetic catch
 - one perforated flush mount rear door (locking with 2 keys) - with magnetic catch
 - vented top panel with cable access holes (quantity 4 - 3.5" holes with covers)
 - four leveling feet
 - all 8 keys (doors & side panels - keyed alike)
- Heavy duty 14 gauge steel frame
- Formed 16 gauge steel side panels are recessed to fit flush with the sides of the cabinet
- Welded corner reinforcements
- Opening in bottom for cable entry
- Panel rails are zinc plated, 12 gauge steel, square hole punched
- Finished in a rugged, textured powder paint



ASSEMBLED
*Shipped on its own skid for
handling ease & protection*

FROM STOCK!

Assembled

Welded

46



CANADA

Guelph, Ontario (519) 822-2960
St. Laurent, Quebec (514) 343-9010

USA

Cheektowaga, NY (716) 630-7030



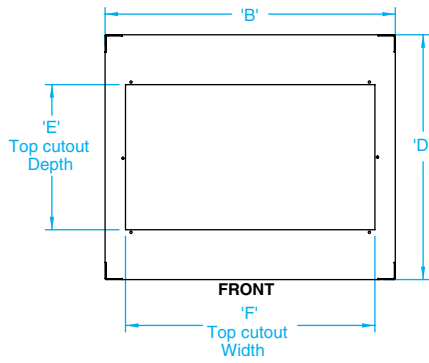
EUROPE

Basingstoke, UK 01256 812812

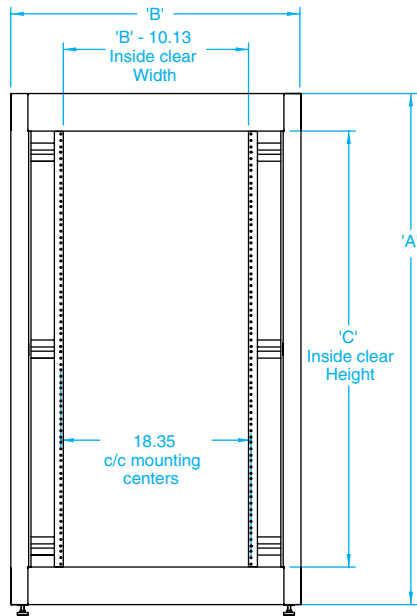
AUSTRALIA

Queenstown SA, Australia 61-8-8240-2244

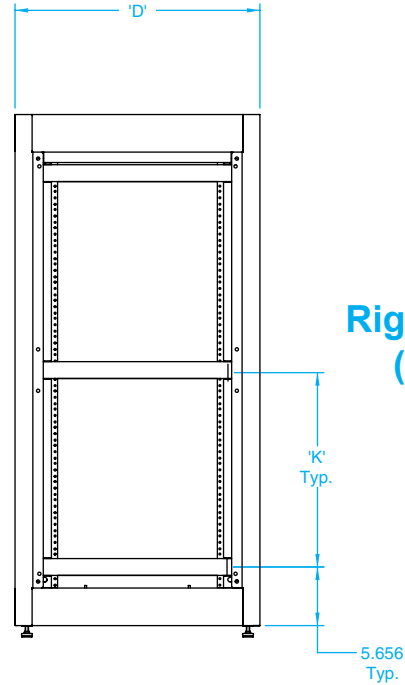
SERVER - Rapid Rack (C2RR Series)



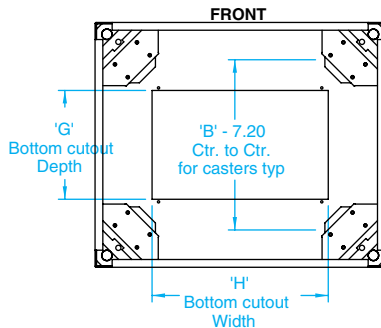
Top View
(Top Cover Not Shown)



Front View



Right Side View
(Panel Not Shown)



Bottom View

36" Deep (Usable Depth = 34")

| Part Number | Dimensions (Inches) | | | | | | | | | |
|-----------------------|---------------------|----|---------|-------|-------|------------|-------|---------------|-------|---------------|
| | Panel Height | | Overall | | | Top Cutout | | Bottom Cutout | | Strut Spacing |
| | | | Height | Width | Depth | Depth | Width | Depth | Width | |
| C | Units | A | B | D | E | F | G | H | K | |
| C2RR247036SBK1 | 70.06 | 40 | 77.31 | 28 | 36 | 27.25 | 24.06 | 17.5 | 17 | 33 |

UNIVERSAL ACCESSORIES

- Rack panels [Page 90](#)
- Ventilated rack panels [Page 92](#)
- Panel mount doors & chassis [Page 94](#)
- Shelves & slides [Page 95](#)
- Drawers [Page 101](#)
- Cable management [Page 102](#)
- Cooling [Page 105](#)
- Rack mount outlet strips [Page 110](#)
- Hardware [Page 127](#)
- Exclusive components to this series [Page 67](#)

EUROPE

Basingstoke, UK 01256 812812

AUSTRALIA

Queenstown SA, Australia 61-8-8240-2244



CANADA

Guelph, Ontario (519) 822-2960
St. Laurent, Quebec (514) 343-9010

USA

Cheektowaga, NY (716) 630-7030



Assembled

Welded

Co-Location (COLO Series)



**VISIT OUR WEB SITE FOR
SPECIAL CONFIGURATIONS**

FEATURES

- Pre-configured especially for secure, co-location installations
- Unit is shipped complete (**NO ASSEMBLY REQUIRED**)
- Usable depth of 34" (36" overall)
- Heavy duty - Recommended maximum weight - 1,500 pounds
- Standard 19" rack mount (23" rack mount optional) - 3 & 4 section versions also available
- **Unit includes:**
 - two secure compartments - both 38.5" (22 U) of rack mounting height
 - separate runways for top or bottom cable runs
 - various locking alternatives
 - superior ventilation
 - provisions for fans
 - easily joined together
 - four infinitely adjustable, square hole combination rack mount rails (full E.I.A. spacing) - per compartment (see accessory section for choice of 10-32, 12-24 or M6 thread cage nuts)
 - two vented, plexi glass, flush mount, front doors (locking with 2 keys)
 - two perforated, flush mount, rear doors (locking with 2 keys)
 - four leveling feet
- Heavy duty 14 gauge steel frame
- Formed 16 gauge steel side panels are recessed to fit flush with the sides of the cabinet
- Welded corner reinforcements
- Panel rails are zinc plated, 12 gauge steel, square hole punched
- Finished in a rugged, textured powder paint

UNIVERSAL ACCESSORIES

- Rack panels [Page 90](#)
- Ventilated rack panels [Page 92](#)
- Panel mount doors & chassis [Page 94](#)
- Shelves & slides [Page 95](#)
- Drawers [Page 101](#)
- Cable management [Page 102](#)
- Cooling & ventilating [Page 105](#)
- Rack mount outlet strips [Page 110](#)
- Hardware [Page 127](#)



ASSEMBLED
*Shipped on its own skid for
handling ease & protection*

FROM STOCK!

Assembled
Welded



CANADA

Guelph, Ontario (519) 822-2960
St. Laurent, Quebec (514) 343-9010

USA

Cheektowaga, NY (716) 630-7030



EUROPE

Basingstoke, UK 01256 812812

AUSTRALIA

Queenstown SA, Australia 61-8-8240-2244



Welded Rack Cabinets



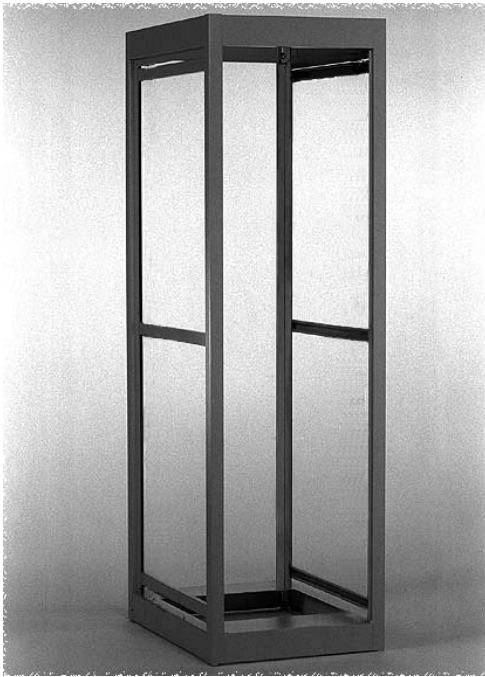
19" Mount Components

19" Rack Mount

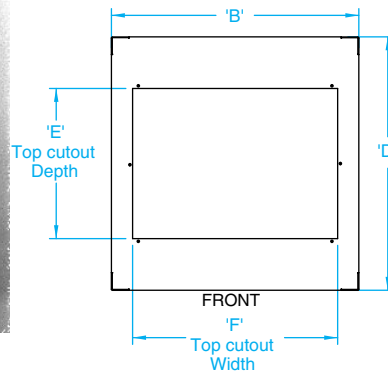
Welded

Frames (C2 Series)

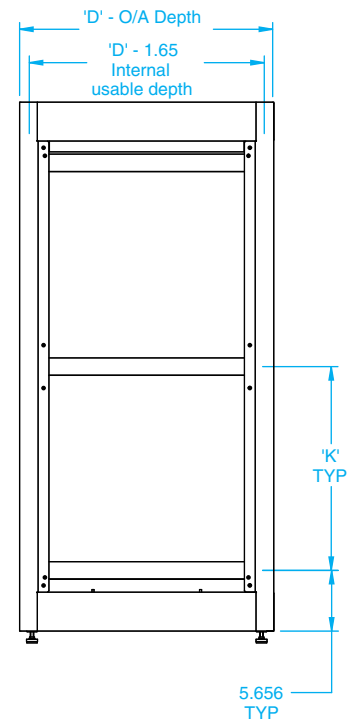
**- FRAME ONLY -
PANEL RAILS
NOT INCLUDED**



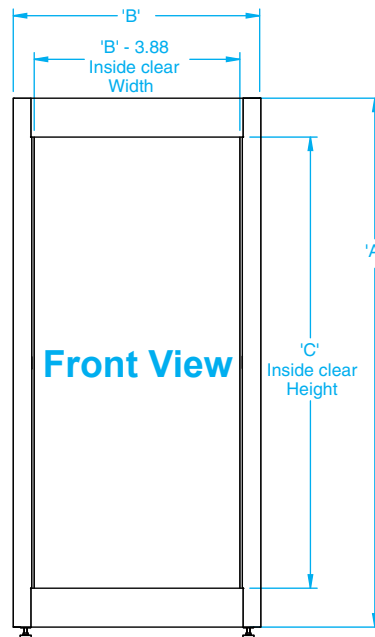
Top View



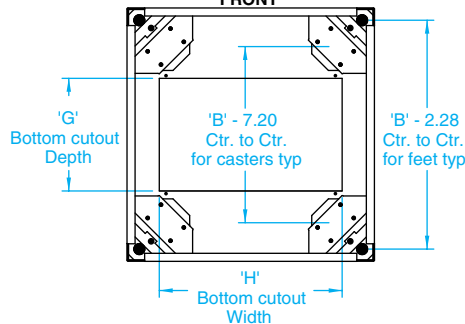
Right Side View



Front View



FRONT



Bottom View

19" Rack Mount

Welded



Shipped on it's own skid for handling ease & protection



FEATURES

- Heavy duty, welded 14 guage steel rack frame
- Recommended maximum weight (C2F247836 tested) - 1,500 pounds
- Standard 19" panel mount width (23" overall width)
- For 19" extra wide, 23" and 24" rack mount cabinets for vertical cable management applications see page 56
- Choice of three depths (23.6", 31.5" or 36")
- Unit is shipped as a welded frame only with 4 levelling feet
- **Panel rails are NOT included** allows maximum flexibility of panel rails, quantity & options (ie..tapped or square hole) see page 45 for options.
- Finished in a rugged, textured powder paint finish
- Welded frame bottom includes caster mounts
- See ordering guide (next page)

23.63" Deep (Usable Depth = 21.63")

| Part Number | | Dimensions (Inches) | | | | | | | | | |
|----------------|----------------|---------------------|-------|---------|-------|-------|------------|-------|---------------|-------|---------------|
| | | Panel Height | | Overall | | | Top Cutout | | Bottom Cutout | | Strut Spacing |
| | | | | Height | Width | Depth | Depth | Width | Depth | Width | |
| Black Textured | Beige Textured | C | Units | A | B | D | E | F | G | H | K |
| C2F193523BK1 | C2F193523CG1 | 35.06 | 20 | 42.31 | 23 | 23.63 | 14 | 19 | 10.5 | 17 | N/A |
| C2F194223BK1 | C2F194223CG1 | 42.06 | 24 | 49.31 | 23 | 23.63 | 14 | 19 | 10.5 | 17 | 19.00 |
| C2F194923BK1 | C2F194923CG1 | 49.06 | 28 | 56.31 | 23 | 23.63 | 14 | 19 | 10.5 | 17 | 22.50 |
| C2F195623BK1 | C2F195623CG1 | 56.06 | 32 | 63.31 | 23 | 23.63 | 14 | 19 | 10.5 | 17 | 26.00 |
| C2F196323BK1 | C2F196323CG1 | 63.06 | 36 | 70.31 | 23 | 23.63 | 14 | 19 | 10.5 | 17 | 29.50 |
| C2F197023BK1 | C2F197023CG1 | 70.06 | 40 | 77.31 | 23 | 23.63 | 14 | 19 | 10.5 | 17 | 33.00 |
| C2F197823BK1 | C2F197823CG1 | 78.81 | 45 | 86.06 | 23 | 23.63 | 14 | 19 | 10.5 | 17 | 37.38 |
| C2F198523BK1 | C2F198523CG1 | 85.81 | 49 | 93.06 | 23 | 23.63 | 14 | 19 | 10.5 | 17 | 40.88 |

31.5" Deep (Usable Depth = 29.5")

| Part Number | | Dimensions (Inches) | | | | | | | | | |
|----------------|----------------|---------------------|-------|---------|-------|-------|------------|-------|---------------|-------|---------------|
| | | Panel Height | | Overall | | | Top Cutout | | Bottom Cutout | | Strut Spacing |
| | | | | Height | Width | Depth | Depth | Width | Depth | Width | |
| Black Textured | Beige Textured | C | Units | A | B | D | E | F | G | H | K |
| C2F193531BK1 | C2F193531CG1 | 35.06 | 20 | 42.31 | 23 | 31.50 | 22.75 | 19 | 17.5 | 17 | N/A |
| C2F194231BK1 | C2F194231CG1 | 42.06 | 24 | 49.31 | 23 | 31.50 | 22.75 | 19 | 17.5 | 17 | 19.00 |
| C2F194931BK1 | C2F194931CG1 | 49.06 | 28 | 56.31 | 23 | 31.50 | 22.75 | 19 | 17.5 | 17 | 22.50 |
| C2F195631BK1 | C2F195631CG1 | 56.06 | 32 | 63.31 | 23 | 31.50 | 22.75 | 19 | 17.5 | 17 | 26.00 |
| C2F196331BK1 | C2F196331CG1 | 63.06 | 36 | 70.31 | 23 | 31.50 | 22.75 | 19 | 17.5 | 17 | 29.50 |
| C2F197031BK1 | C2F197031CG1 | 70.06 | 40 | 77.31 | 23 | 31.50 | 22.75 | 19 | 17.5 | 17 | 33.00 |
| C2F197831BK1 | C2F197831CG1 | 78.81 | 45 | 86.06 | 23 | 31.50 | 22.75 | 19 | 17.5 | 17 | 37.38 |
| C2F198531BK1 | C2F198531CG1 | 85.81 | 49 | 93.06 | 23 | 31.50 | 22.75 | 19 | 17.5 | 17 | 40.88 |

36" Deep (Usable Depth = 34")

| Part Number | | Dimensions (Inches) | | | | | | | | | |
|----------------|----------------|---------------------|-------|---------|-------|-------|------------|-------|---------------|-------|---------------|
| | | Panel Height | | Overall | | | Top Cutout | | Bottom Cutout | | Strut Spacing |
| | | | | Height | Width | Depth | Depth | Width | Depth | Width | |
| Black Textured | Beige Textured | C | Units | A | B | D | E | F | G | H | K |
| C2F193536BK1 | C2F193536CG1 | 35.06 | 20 | 42.31 | 23 | 36 | 27.25 | 19 | 17.5 | 17 | N/A |
| C2F194236BK1 | C2F194236CG1 | 42.06 | 24 | 49.31 | 23 | 36 | 27.25 | 19 | 17.5 | 17 | 19.00 |
| C2F194936BK1 | C2F194936CG1 | 49.06 | 28 | 56.31 | 23 | 36 | 27.25 | 19 | 17.5 | 17 | 22.50 |
| C2F195636BK1 | C2F195636CG1 | 56.06 | 32 | 63.31 | 23 | 36 | 27.25 | 19 | 17.5 | 17 | 26.00 |
| C2F196336BK1 | C2F196336CG1 | 63.06 | 36 | 70.31 | 23 | 36 | 27.25 | 19 | 17.5 | 17 | 29.50 |
| C2F197036BK1 | C2F197036CG1 | 70.06 | 40 | 77.31 | 23 | 36 | 27.25 | 19 | 17.5 | 17 | 33.00 |
| C2F197836BK1 | C2F197836CG1 | 78.81 | 45 | 86.06 | 23 | 36 | 27.25 | 19 | 17.5 | 17 | 37.38 |
| C2F198536BK1 | C2F198536CG1 | 85.81 | 49 | 93.06 | 23 | 36 | 27.25 | 19 | 17.5 | 17 | 40.88 |

EUROPE

Basingstoke, UK 01256 812812

AUSTRALIA

Queenstown SA, Australia 61-8-8240-2244



CANADA

Guelph, Ontario (519) 822-2960
St. Laurent, Quebec (514) 343-9010

USA

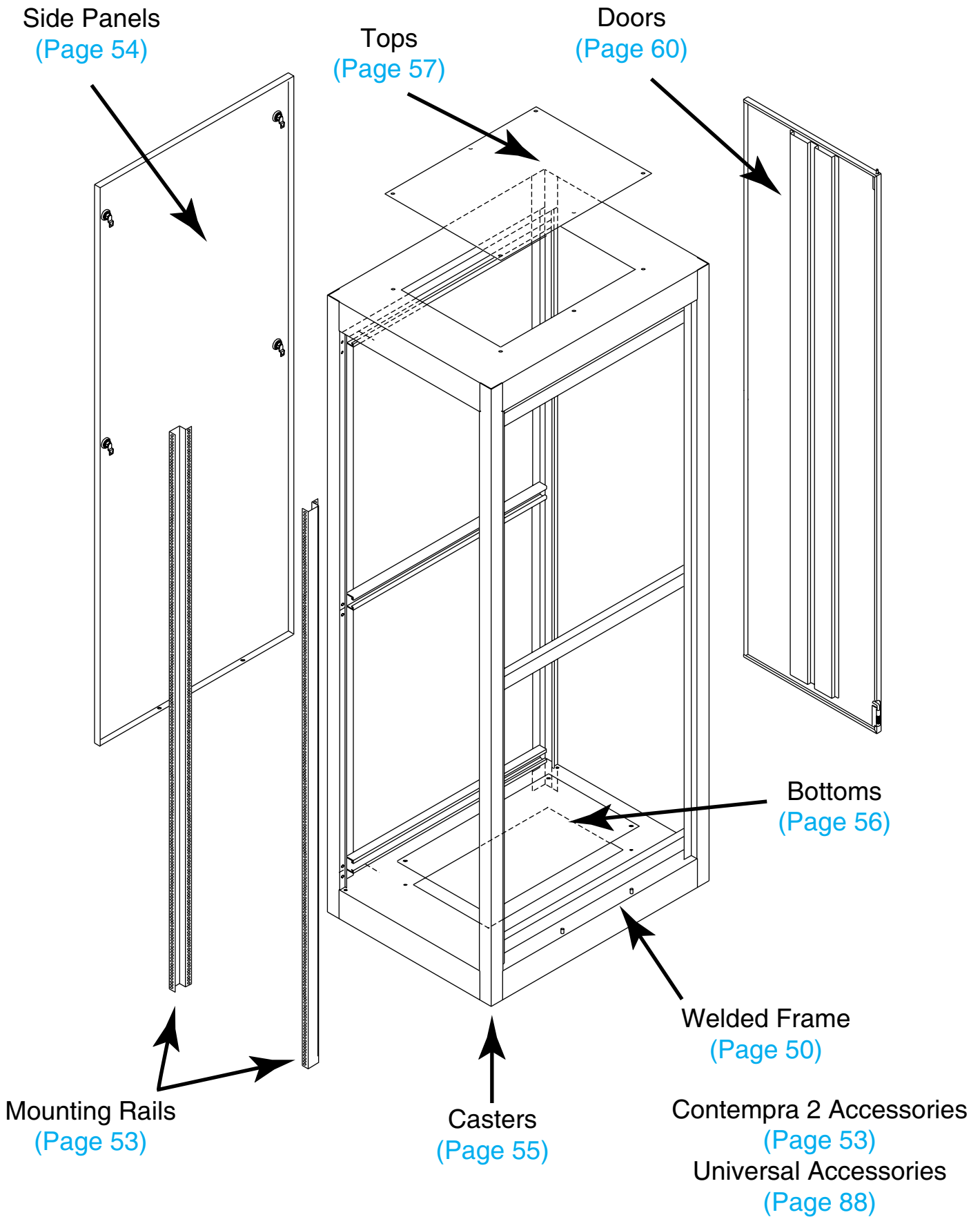
Cheektowaga, NY (716) 630-7030



Ordering Guide (C2 Series)

19" Rack Mount

Welded



CANADA

Guelph, Ontario (519) 822-2960
St. Laurent, Quebec (514) 343-9010

USA

Cheektowaga, NY (716) 630-7030



EUROPE

Basingstoke, UK 01256 812812

AUSTRALIA

Queenstown SA, Australia 61-8-8240-2244

TAPPED RAILS

- **SOLD IN PAIRS**
- Drilled and tapped (10-32)
- Heavy duty construction - formed from 10 gauge steel
- Full EIA hole centers (5/8 - 5/8 - 1/2 inch spacing)
- Bolts vertically in cabinet to amhal struts
- Includes strut mounting hardware, panel mounting hardware available on page 119
- Zinc plated finish
- Front of rail allows for 19" panel rack mounting
- Rear of rail flange for rear equipment support or accessory mounting



| Part Number (Sold in Pairs) | Panel Height | |
|--------------------------------|--------------|-------|
| | Inches | Units |
| CCR35TZPL | 35.00 | 20 |
| CCR42TZPL | 42.00 | 24 |
| CCR49TZPL | 49.00 | 28 |
| CCR56TZPL | 56.00 | 32 |
| CCR63TZPL | 63.00 | 36 |
| CCR70TZPL | 70.00 | 40 |
| CCR78TZPL | 78.75 | 45 |
| CCR85TZPL | 85.75 | 49 |

SQUARE HOLE RAILS

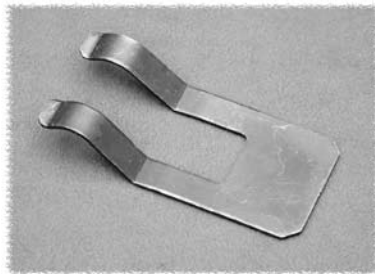
- **SOLD IN PAIRS**
- Square hole punched - allowing choice of hardware for 10-32 or 12-24 or M6 thread cage nuts)
- Includes a starter quantity (25) of 10-32 cage nuts
- Heavy duty construction - formed from 12 gauge steel
- Full EIA hole centers (5/8 - 5/8 - 1/2 inch spacing)
- Bolts vertically in cabinet to amhal struts
- Includes strut mounting hardware, panel mounting hardware available on page 119
- Zinc plated finish
- Front of rail allows for 19" panel rack mounting
- Rear "L" of rail for rear equipment support or accessory mounting



19" Rack Mount

| Part Number (Sold in Pairs) | Panel Height | |
|--------------------------------|--------------|-------|
| | Inches | Units |
| CPR35SZPL | 35.00 | 20 |
| CPR42SZPL | 42.00 | 24 |
| CPR49SZPL | 49.00 | 28 |
| CPR56SZPL | 56.00 | 32 |
| CPR63SZPL | 63.00 | 36 |
| CPR70SZPL | 70.00 | 40 |
| CPR78SZPL | 78.75 | 45 |
| CPR85SZPL | 85.75 | 49 |

Welded



Cage Nut
Installation Tool

- Allows for easy installation of cage nuts in square rail hole
- Spring steel tool
- Part Number **RCNIT**



Additional Cage Nuts

| Part Number | Qty. Per Package | Thread |
|-------------|------------------|--------|
| 1421CNA25 | 25 | 10-32 |
| 1421CNA100 | 100 | 10-32 |
| 1421CNC25 | 25 | 12-24 |
| 1421CNC100 | 100 | 12-24 |
| 1421CNB25 | 25 | M6 |
| 1421CNB100 | 100 | M6 |

EUROPE

Basingstoke, UK 01256 812812

AUSTRALIA

Queenstown SA, Australia 61-8-8240-2244



CANADA

Guelph, Ontario (519) 822-2960
St. Laurent, Quebec (514) 343-9010

USA

Cheektowaga, NY (716) 630-7030



Side Panels (C2 Series)

SIDE PANELS



FEATURES

- Sold in pairs
- Constructed of 16 gauge steel
- Panels fit flush with frame
- Designed for easy removal and installation
- Features quick release 1/4 turn cam fasteners (4 per side) with internal latching provision
- Two pins on the bottom of the frame allow for easy alignment & installation
- Finished in a rugged textured powder paint

23.63" Deep

| Part Number | | Depth (Inches) | Panel Height | |
|----------------|----------------|----------------|--------------|-------|
| Black Textured | Beige Textured | | Inches | Units |
| CSP3523BK1 | CSP3523CG1 | 23.63 | 35.00 | 20 |
| CSP4223BK1 | CSP4223CG1 | 23.63 | 42.00 | 24 |
| CSP4923BK1 | CSP4923CG1 | 23.63 | 49.00 | 28 |
| CSP5623BK1 | CSP5623CG1 | 23.63 | 56.00 | 32 |
| CSP6323BK1 | CSP6323CG1 | 23.63 | 63.00 | 36 |
| CSP7023BK1 | CSP7023CG1 | 23.63 | 70.00 | 40 |
| CSP7823BK1 | CSP7823CG1 | 23.63 | 78.75 | 45 |
| CSP8523BK1 | CSP8523CG1 | 23.63 | 85.75 | 49 |

31.5" Deep

| Part Number | | Depth (Inches) | Panel Height | |
|----------------|----------------|----------------|--------------|-------|
| Black Textured | Beige Textured | | Inches | Units |
| CSP3531BK1 | CSP3531CG1 | 31.50 | 35.00 | 20 |
| CSP4231BK1 | CSP4231CG1 | 31.50 | 42.00 | 24 |
| CSP4931BK1 | CSP4931CG1 | 31.50 | 49.00 | 28 |
| CSP5631BK1 | CSP5631CG1 | 31.50 | 56.00 | 32 |
| CSP6331BK1 | CSP6331CG1 | 31.50 | 63.00 | 36 |
| CSP7031BK1 | CSP7031CG1 | 31.50 | 70.00 | 40 |
| CSP7831BK1 | CSP7831CG1 | 31.50 | 78.75 | 45 |
| CSP8531BK1 | CSP8531CG1 | 31.50 | 85.75 | 49 |

36" Deep

| Part Number | | Depth (Inches) | Panel Height | |
|----------------|----------------|----------------|--------------|-------|
| Black Textured | Beige Textured | | Inches | Units |
| CSP3536BK1 | CSP3536CG1 | 36.00 | 35.00 | 20 |
| CSP4236BK1 | CSP4236CG1 | 36.00 | 42.00 | 24 |
| CSP4936BK1 | CSP4936CG1 | 36.00 | 49.00 | 28 |
| CSP5636BK1 | CSP5636CG1 | 36.00 | 56.00 | 32 |
| CSP6336BK1 | CSP6336CG1 | 36.00 | 63.00 | 36 |
| CSP7036BK1 | CSP7036CG1 | 36.00 | 70.00 | 40 |
| CSP7836BK1 | CSP7836CG1 | 36.00 | 78.75 | 45 |
| CSP8536BK1 | CSP8536CG1 | 36.00 | 85.75 | 49 |

SIDE PANEL LOCKS



- For higher security, the quarter turn fasteners on the side panels can be replaced with this key locking version
- Order part number **CSPQTRL**
- Kit contains 4 quarter turn locks and 8 keys.
- Good for 1 rack (ie...2 locks per side panel)

19" Rack Mount

Welded



LIGHT DUTY CASTERS

- **Light Duty** - 360 lbs. Mfg.'s specified weight capacity (Set of 4)
- Features ball bearing swivel and hard composition wheels
- Standard 3" x 1.75" hole mounting pattern - no drilling required
- Adds only 0.75" to height of cabinet by fitting up inside base of rack
- Wheels are black & 3" wheel diameter
- Includes mounting hardware
- **SOLD IN A SET OF 4**
- Part Number **1425B**



MEDIUM DUTY CASTERS

- **Medium Duty** - 700 lbs. Mfg.'s specified weight capacity (Set of 4)
- Features ball bearing swivel and hard composition wheels
- Standard 3" x 1.75" hole mounting pattern
- Adds only 0.75" to height of cabinet by fitting up inside base of rack
- Wheels are black & 3" wheel diameter
- Includes mounting hardware
- **SOLD IN A SET OF 4**
- Part Number **1425BM**



HEAVY DUTY CASTERS

- **Heavy Duty** - 1,050 lbs. Mfg.'s specified weight capacity (Set of 4)
- Features ball bearing swivel and hard composition wheels
- Standard 3" x 1.75" hole mounting pattern
- Adds only 0.75" to height of cabinet by fitting up inside base of rack
- Wheels are blue & 3" wheel diameter
- Includes mounting hardware
- **SOLD IN A SET OF 4**
- Part Number **1425BH**



LOCKING CASTERS

- These are exterior mount casters that mount outside of rack frame perimeter to allow foot access of locking pedals
- **Medium Duty** - 560 lbs. Mfg.'s specified weight capacity (Set of 4)
- Available in either locking or non-locking format
- Sold in **pairs** allowing for mix of locking and nonlocking on same cabinet
- 3.5" diameter wheels add 4.88" to cabinet height
- No drilling required as casters fit into built-in caster mounts
- Part Number **CCSTL** for a PAIR of locking casters
- Part Number **CCSTN** for a PAIR of non-locking casters



19" Rack Mount

Welded

EUROPE

Basingstoke, UK 01256 812812

AUSTRALIA

Queenstown SA, Australia 61-8-8240-2244



CANADA

Guelph, Ontario (519) 822-2960
St. Laurent, Quebec (514) 343-9010

USA

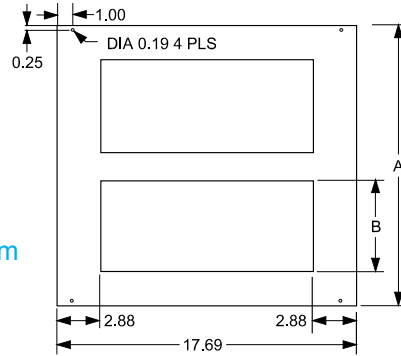
Cheektowaga, NY (716) 630-7030



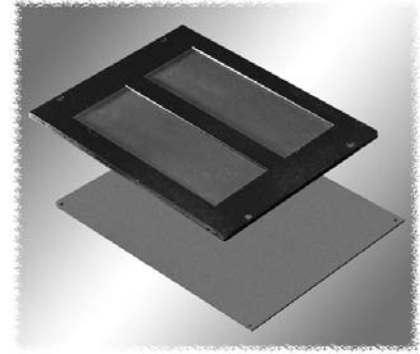
Bottom Options (C2 Series)

FRAME BOTTOMS

- 14 gauge steel construction
- Micro Cell Cable Entry Bottom features 2 cutouts for cable access. Under side of cutouts covered with black foam rubber which, when punctured for cable access, still maintains a virtually sealed bottom
- Mounting hardware included



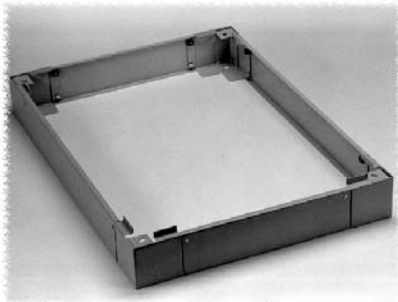
Micro Cell Cable Entry Bottom



Micro Cell Cable Entry or Solid Steel (pictured top to bottom)

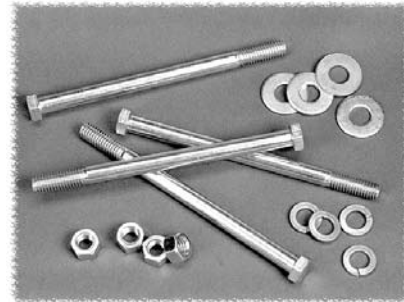
| Part Number | | Type | Dimensions (Inches) | | | |
|-------------------------------|-------------------------------|-------------|---------------------|------|-----|----------------|
| Black Textured | Beige Textured | | Panel Width | A | B | Rack Depth |
| C2BPS1923BK1 | C2BPS1923CG1 | Solid | 19 | 11.5 | - | 23.63 |
| C2BPS1931BK1 | C2BPS1931CG1 | Solid | 19 | 18.5 | - | 31.50 or 36.00 |
| C2BPCE1923BK1 | C2BPCE1923CG1 | Cable Entry | 19 | 11.5 | 3.5 | 23.63 |
| C2BPCE1931BK1 | C2BPCE1931CG1 | Cable Entry | 19 | 18.5 | 6.0 | 31.50 or 36.00 |

PLINTH



- Adds 4" to overall rack height
- 14 gauge steel construction
- Features 4 corner units and 4 removable fill panels
- By removing both front & rear panels, easy access to bottom cabling and forklift lifting/transport are achieved
- Not compatible with levelling feet or casters

BOLT DOWN KIT



- Fixes rack to floor
- Kit includes set of four - 3/8" x 5 1/2" bolts with flat washers and nuts
- Can be used with or without plinths
- Part Number: **CBDK4**

| Part Number | | Panel Width | Use with Frame Depth |
|-----------------------------|-----------------------------|-------------|----------------------|
| Black Textured | Beige Textured | | |
| CPL19423BK1 | CPL19423CG1 | 19" | 23.63" |
| CPL19431BK1 | CPL19431CG1 | 19" | 31.50" |
| CPL19436BK1 | CPL19436CG1 | 19" | 36.00" |

19" Rack Mount

Welded



SOLID TOP

- 14 gauge steel construction, finished in a rugged textured powder paint
- Supplied with mounting hardware
- Should be used on all racks where protection from dust or falling objects is required

| Part Number | | Panel Width | Rack Depth |
|----------------|----------------|-------------|------------|
| Black Textured | Beige Textured | | |
| C2T1923SBK1 | C2T1923SCG1 | 19 | 23.63 |
| C2T1931SBK1 | C2T1931SCG1 | 19 | 31.50 |
| C2T1936SBK1 | C2T1936SCG1 | 19 | 36.00 |



VENTED TOP

- 14 gauge steel construction, finished in a rugged textured powder paint
- Supplied with mounting hardware
- Provides a practical and economical solution to convection cooling requirements
- Available either with or without 3.5" cable access holes and covers

Without Cable Access Holes

| Part Number | | Panel Width | Rack Depth |
|----------------|----------------|-------------|------------|
| Black Textured | Beige Textured | | |
| C2T1923VBK1 | C2T1923VCG1 | 19 | 23.63 |
| C2T1931VBK1 | C2T1931VCG1 | 19 | 31.50 |
| C2T1936VBK1 | C2T1936VCG1 | 19 | 36.00 |



With 3.5" Cable Access Holes & Covers

| Part Number | | Panel Width | Rack Depth |
|----------------|----------------|-------------|------------|
| Black Textured | Beige Textured | | |
| C2T1923VCEBK1 | C2T1923VCECG1 | 19 | 23.63 |
| C2T1931VCEBK1 | C2T1931VCECG1 | 19 | 31.50 |
| C2T1936VCEBK1 | C2T1936VCECG1 | 19 | 36.00 |



19" Rack Mount

Welded

RAISED VENT TOP

- 14 gauge steel construction, finished in a rugged textured powder paint
- Supplied with mounting hardware
- Simple up or down adjustment permits either raised installation for venting or flush mounting for smooth decorative look
- Allows for protection from falling objects or liquids
- When raised, permits convection cooling as gap between top & frame allows warm air to escape on all four sides

| Part Number | | Panel Width | Rack Depth |
|----------------|----------------|-------------|------------|
| Black Textured | Beige Textured | | |
| C2T1923RBK1 | C2T1923RCG1 | 19 | 23.63 |
| C2T1931RBK1 | C2T1931RCG1 | 19 | 31.50 |
| C2T1936RBK1 | C2T1936RCG1 | 19 | 36.00 |



EUROPE

Basingstoke, UK 01256 812812

AUSTRALIA

Queenstown SA, Australia 61-8-8240-2244



CANADA

Guelph, Ontario (519) 822-2960
St. Laurent, Quebec (514) 343-9010

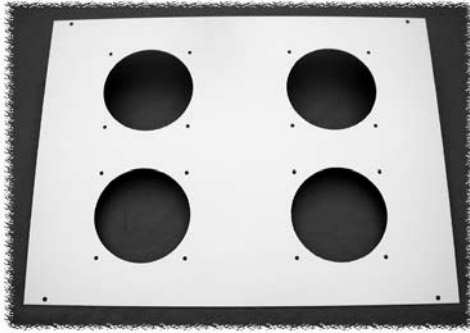
USA

Cheektowaga, NY (716) 630-7030



Fan Tops (C2 Series)

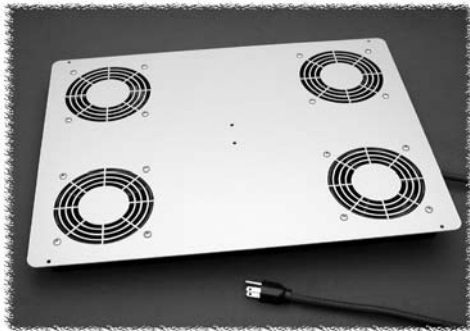
4.7" FAN TOP PANEL



- 14 gauge steel construction, finished in a rugged powder paint
- 4.7" fan top panel - fans not included (see next page)
- Quantity 4 or 6 openings depending on depth of rack
- Maximum flexibility - add fans, leave holes open (for cable access) or use covers (see next page)

| Part Number | | Panel Width | Rack Depth | Fan Holes |
|----------------|----------------|-------------|------------|-----------|
| Black Textured | Beige Textured | | | |
| C2T1923FBK1 | C2T1923FCG1 | 19 | 23.63 | 4 |
| C2T1931FBK1 | C2T1931FCG1 | 19 | 31.50 | 6 |
| C2T1936FBK1 | C2T1936FCG1 | 19 | 36.00 | 6 |

PRE-WIRED 4.7" EXHAUST FAN TOP



- Includes a quantity of 4 - long life, ball bearing, 4.7", 115 volt, 50/60 Hz. AC, 100 CFM fans (230 VAC fan tops available on special order)
- Available with or without thermostat
- Finger guards are punched into top panel and bottom of fan top
- Fans are pre-wired, installed and complete with 3 foot cord & plug

| Part Number | | Panel Width | Rack Depth | Thermostat |
|----------------|----------------|-------------|------------|------------|
| Black Textured | Beige Textured | | | |
| C2T1923F4BK1 | C2T1923F4CG1 | 19 | 23.63 | No |
| C2T1931F4BK1 | C2T1931F4CG1 | 19 | 31.50 | No |
| C2T1936F4BK1 | C2T1936F4CG1 | 19 | 36.00 | No |
| C2T1923F4TBK1 | C2T1923F4TCG1 | 19 | 23.63 | Yes |
| C2T1931F4TBK1 | C2T1931F4TCG1 | 19 | 31.50 | Yes |
| C2T1936F4TBK1 | C2T1936F4TCG1 | 19 | 36.00 | Yes |

PRE-WIRED 10" EXHAUST FAN TOP PANEL



Without Cable Access

- Includes quantity 1 - 10", 550 CFM, 115 V 50/60 Hz. AC fan 35 watt motor (230 VAC fan tops available on special order)
- Thermal protected motor
- Ball bearing construction, plastic blades (3)
- Diecast aluminum body fan
- Rotation is clockwise (looking down at the rotor - as pictured on the left)
- Airflow exhausts the rack (out the top as pictured on the left)
- C UL & UL recognized
- 5' cord and molded on plug
- Top & bottom finger guards included
- Pre-wired and assembled as shown, finished in a rugged powder paint
- Available either with or without 4 cable access holes (3.5") and covers

Without Cable Access Holes

| Part Number | | Panel Width | Rack Depth |
|----------------|----------------|-------------|------------|
| Black Textured | Beige Textured | | |
| C2T1923F10BK1 | C2T1923F10CG1 | 19 | 23.63 |
| C2T1931F10BK1 | C2T1931F10CG1 | 19 | 31.50 |
| C2T1936F10BK1 | C2T1936F10CG1 | 19 | 36.00 |

With Cable Access 3.5" Holes & Covers

| Part Number | | Panel Width | Rack Depth |
|-----------------|-----------------|-------------|------------|
| Black Textured | Beige Textured | | |
| C2T1923F10CEBK1 | C2T1923F10CECG1 | 19 | 23.63 |
| C2T1931F10CEBK1 | C2T1931F10CECG1 | 19 | 31.50 |
| C2T1936F10CEBK1 | C2T1936F10CECG1 | 19 | 36.00 |



With Cable Access

19" Rack Mount

Welded



Fan Top Accessories (C2 Series)

4" FANS

- 4.70" (120mm), 1.50" deep - Tubeaxial type
- Choice of either 115 or 230 VAC, 50/60 Hz.
- Impedance protected motor Class-B insulated
- Ball bearing construction, metal blades
- Diecast aluminum body
- Rotation is counter clockwise (looking at the rotor - as pictured)
- Airflow is over the struts (out the back as pictured)
- Male plug terminated (requires fan cords below)
- UL recognized, CSA listed, CE certified
- With mounting hardware

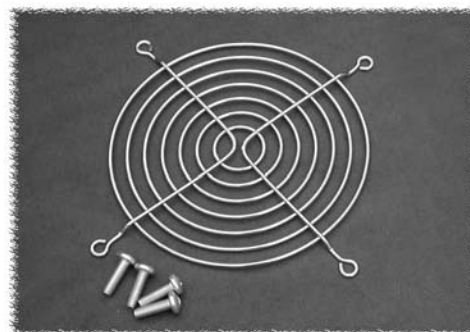


| Part Number | Size | | VAC | CFM | Wattage | Use With Fan Guard Part Number |
|------------------------------|--------|-----|-----|-----|---------|--------------------------------|
| | Inches | mm | | | | |
| DNMF100AC115 | 4.70 | 120 | 115 | 105 | 22 | DNFG |
| DNMF100AC230 | 4.70 | 120 | 230 | 105 | 22 | DNFG |

METAL FAN GUARDS

- Constructed of steel
- For covering unused fan top openings or as 4.7" fan guards
- Hardware included

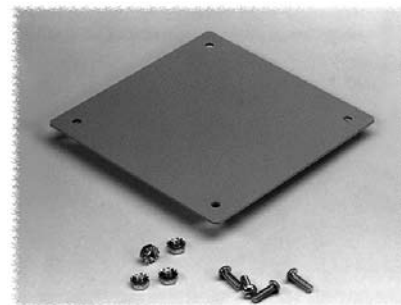
| Part Number | Color | Use with Fan Size |
|----------------------|--------------------------|-------------------|
| DNFG | Wire mesh, nickel plated | 4.7" |



4.7" FAN HOLE COVER

- Constructed of 14 gauge steel
- For covering unused fan top openings on 4.7" fan tops
- Hardware included

| Part Number | Color | Paint Finish |
|-------------------------|------------|--------------|
| DNFPBK1 | Black | Textured |
| DNFPCG1 | Grey-Beige | Textured |



FAN CORD

- For 115 VAC wiring
- Standard molded female fan plug (0.91" x 0.68")

| Part Number | Description | Lead Length | Fan Connector | 115VAC Plug |
|--------------------------|-----------------|-------------|------------------------------|-------------|
| DNMFC | Single Fan Cord | 24" | Straight | No |
| DNFC48P | Single Fan Cord | 48" | 45 degree | Yes |
| DNFC72P | Single Fan Cord | 72" | 45 degree | Yes |
| DNFCDC2P | Daisy Chain | 24" | Qty. 2- 45 degree, 24" apart | Yes |
| DNFCDC3P | Daisy Chain | 24" | Qty 3 - 45 degree, 24" apart | Yes |



19" Rack Mount

Welded

EUROPE

Basingstoke, UK 01256 812812

AUSTRALIA

Queenstown SA, Australia 61-8-8240-2244



CANADA

Guelph, Ontario (519) 822-2960
St. Laurent, Quebec (514) 343-9010

USA

Cheektowaga, NY (716) 630-7030



Doors (C2 Series)

SOLID DOOR



- Flush mount
- Heavy duty 16 gauge steel construction with sturdy door stiffeners welded on
- Reversible right or left opening (by inverting door)
- Features lockable latch, magnetic catch and spring loaded hinge pins for instant installation or removal
- Allows full access to space between panel rails when open
- Paint matches rack in the same rugged textured powder paint finish

| Part Number | | Panel Height | | Use With 19" Frame Part Number |
|-----------------------------|-----------------------------|--------------|-------|--------------------------------------|
| Black Textured | Beige Textured | Inches | Units | |
| CDF1935SBK1 | CDF1935SCG1 | 35.00 | 20 | C2F1935 |
| CDF1942SBK1 | CDF1942SCG1 | 42.00 | 24 | C2F1942 |
| CDF1949SBK1 | CDF1949SCG1 | 49.00 | 28 | C2F1949 |
| CDF1956SBK1 | CDF1956SCG1 | 56.00 | 32 | C2F1956 |
| CDF1963SBK1 | CDF1963SCG1 | 63.00 | 36 | C2F1963 |
| CDF1970SBK1 | CDF1970SCG1 | 70.00 | 40 | C2F1970 |
| CDF1978SBK1 | CDF1978SCG1 | 78.75 | 45 | C2F1978 |
| CDF1985SBK1 | CDF1985SCG1 | 85.75 | 49 | C2F1985 |

LOUVERED DOOR



- Flush mount
- Heavy duty 16 gauge steel construction with sturdy door stiffeners welded on
- Opens right hand only with louvers facing down
- Features lockable latch, magnetic catch and spring loaded hinge pins for instant installation or removal
- Allows full access to space between panel rails when open
- Paint matches rack in the same rugged textured powder paint finish

| Part Number | | Panel Height | | Use With 19" Frame Part Number |
|-----------------------------|-----------------------------|--------------|-------|--------------------------------------|
| Black Textured | Beige Textured | Inches | Units | |
| CDF1935LBK1 | CDF1935LCG1 | 35.00 | 20 | C2F1935 |
| CDF1942LBK1 | CDF1942LCG1 | 42.00 | 24 | C2F1942 |
| CDF1949LBK1 | CDF1949LCG1 | 49.00 | 28 | C2F1949 |
| CDF1956LBK1 | CDF1956LCG1 | 56.00 | 32 | C2F1956 |
| CDF1963LBK1 | CDF1963LCG1 | 63.00 | 36 | C2F1963 |
| CDF1970LBK1 | CDF1970LCG1 | 70.00 | 40 | C2F1970 |
| CDF1978LBK1 | CDF1978LCG1 | 78.75 | 45 | C2F1978 |
| CDF1985LBK1 | CDF1985LCG1 | 85.75 | 49 | C2F1985 |

PLEXI DOOR



- Flush mount
- 16 gauge steel door frame with smoked plexi glass insert
- Reversible right or left opening (by inverting door)
- Features lockable latch, magnetic catch and spring loaded hinge pins for instant installation or removal
- Allows full access to space between panel rails when open
- Frame painted with rugged textured black powder paint

| Part Number | Panel Height | | Use With 19" Frame Part Number |
|------------------------------|-------------------|--------|--------------------------------------|
| | Black Flush Plexi | Inches | |
| C2DF1935PBK1 | 35.00 | 20 | C2F1935 |
| C2DF1942PBK1 | 42.00 | 24 | C2F1942 |
| C2DF1949PBK1 | 49.00 | 28 | C2F1949 |
| C2DF1956PBK1 | 56.00 | 32 | C2F1956 |
| C2DF1963PBK1 | 63.00 | 36 | C2F1963 |
| C2DF1970PBK1 | 70.00 | 40 | C2F1970 |
| C2DF1978PBK1 | 78.75 | 45 | C2F1978 |
| C2DF1985PBK1 | 85.75 | 49 | C2F1985 |

19" Rack Mount

Welded

PERFORATED DOOR

- Flush mount
- Provides maximum ventilation while maintaining security
- Heavy Duty 16 gauge steel construction with perforated steel inserts
- Reversible right or left opening (by inverting door)
- Features lockable latch, magnetic catch and spring loaded hinge pins for instant installation or removal
- Allows full access to space between panel rails when open
- Paint matches "C2" type rack frame in the same rugged textured powder paint finish.



| Part Number | | Panel Height | | Use With 19" Frame Part Number |
|-----------------------------|-----------------------------|--------------|-------|--------------------------------|
| Black Textured | Beige Textured | Inches | Units | |
| CDF1970VBK1 | CDF1970VCG1 | 70.00 | 40 | C2F1970 |
| CDF1978VBK1 | CDF1978VCG1 | 78.00 | 45 | C2F1978 |

VENTILATED PLEXI DOOR

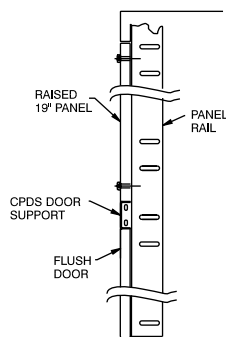
- Flush mount
- Provides airflow through cabinet and excellent equipment visibility
- 16 gauge steel door frame (ventilated) with smoked plexi glass insert
- Reversible right or left opening (by inverting door)
- Features lockable latch, magnetic catch and spring loaded hinge pins for instant installation or removal
- Allows full access to space between panel rails when open
- Complete with keyed lock and magnet strip for closure
- Frame is painted with a rugged textured black powder paint finish.



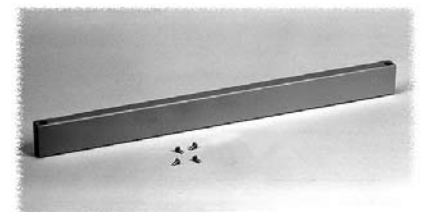
19" Rack Mount

| Part Number | | Panel Height | | Use With 19" Frame Part Number |
|------------------------------|------------------------------|--------------|-------|--------------------------------|
| Black Textured | Beige Textured | Inches | Units | |
| CDF1970VPBK1 | CDF1970VPCG1 | 70.00 | 40 | C2F1970 |
| CDF1978VPBK1 | CDF1978VPCG1 | 78.00 | 45 | C2F1978 |

PARTIAL HEIGHT DOOR SUPPORT



- Allows partial height door installation (used when blowers are installed in bottom of rack)
- Requires drilling of rack frame
- Occupies 1.75" (1U) of panel height
- Door support is 0.75" deep



Welded

| Part Number | | For Panel Width |
|---------------------------|---------------------------|-----------------|
| Black Textured | Beige Textured | |
| CPDS19BK1 | CPDS19CG1 | 19" |

EUROPE

Basingstoke, UK 01256 812812

AUSTRALIA

Queenstown SA, Australia 61-8-8240-2244



CANADA

Guelph, Ontario (519) 822-2960
St. Laurent, Quebec (514) 343-9010

USA

Cheektowaga, NY (716) 630-7030



Exclusive Accessories (C2 Series)

GANGING KIT



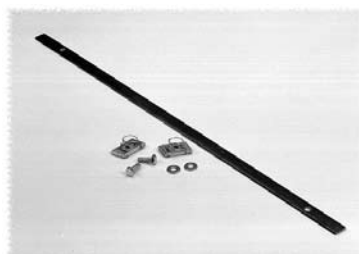
- Complete hardware kit allowing two racks to be ganged at six points along vertical frame side.
- Part Number **CGH01**

EXTRA LEVELLING FEET



- Contempra racks all **INCLUDE** 4 nylon base levelling feet
- Set of 4
- Four levelling feet will support a maximum of 800 lbs.
- Part Number **CLFK** for standard nylon base
- Part Number **CLFKNS** for nonskid rubber base

GROUND BUS BARS



| Part Number | Use With Rack Part Number |
|--------------|---------------------------|
| CBB35 | C2F1935 |
| CBB42 | C2F1942 |
| CBB49 | C2F1949 |
| CBB56 | C2F1956 |
| CBB63 | C2F1963 |
| CBB70 | C2F1970 |
| CBB78 | C2F1978 |
| CBB85 | C2F1985 |

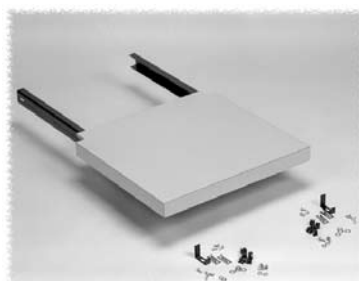
- Full length copper strip 0.13" x 0.63"
- Includes hardware for mounting on rack frame side struts

LEVELLING FOOT WRENCH



- Laser cut flat steel wrench
- Designed for easy levelling under frame
- Part Number **RFLW**

DESK UNIT



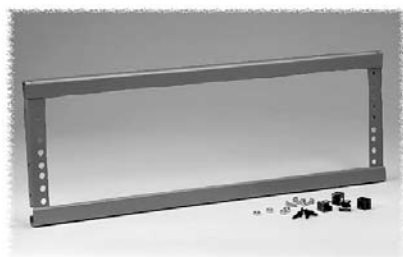
- Constructed of beige laminate and 14 gauge steel support channels
- Ideal for writing surface, keyboard or instrument mounting requirements
- Mounts onto rails, but is notched on both sides for flush fit with cabinet sides.
- Part Number **CW19CG4**

TRIM KIT



- Extruded aluminum dress kit with black inlay (ideal for custom identification)
- Attaches with strong adhesive requiring no drilling or hardware
- Compatible with flush doors only
- Part Number **C2ID19**

BLOWER ADAPTER KIT



- This blower mounting kit mounts flush with both the rack frame face and any flush door
- Allows use of 5.25" (3U) blowers
- Also used for cable access where large bundles of wires are used

| Part Number | | For Use with Flush Door Part Number | For Panel Height | |
|-------------------|-------------------|-------------------------------------|------------------|-------|
| Black Textured | Beige Textured | | Inches | Units |
| CBA1975BK1 | CBA1975CG1 | CDF1935 or C2DF1935 | 42.00 | 24 |
| CBA1975BK1 | CBA1975CG1 | CDF1942 or C2DF1942 | 49.00 | 28 |
| CBA1975BK1 | CBA1975CG1 | CDF1949 or C2DF1949 | 56.00 | 32 |
| CBA1975BK1 | CBA1975CG1 | CDF1956 or C2DF1956 | 63.00 | 36 |
| CBA1975BK1 | CBA1975CG1 | CDF1963 or C2DF1963 | 70.00 | 40 |
| CBA1985BK1 | CBA1985CG1 | CDF1970 or C2DF1970 | 78.75 | 45 |

19" Rack Mount
Welded





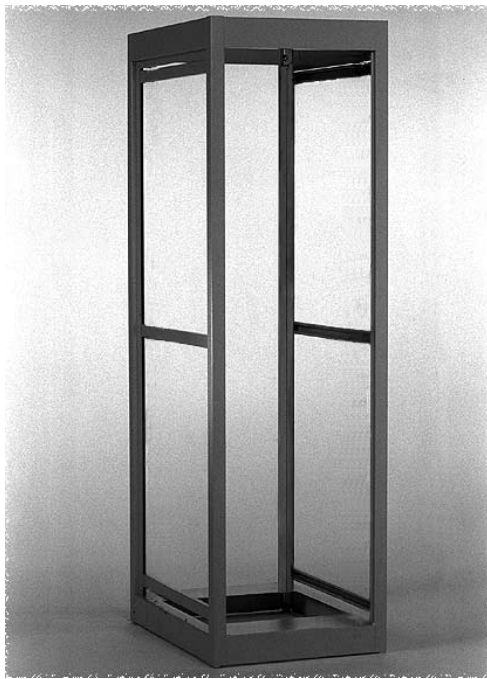
Welded Rack Cabinets

24" Mount Components

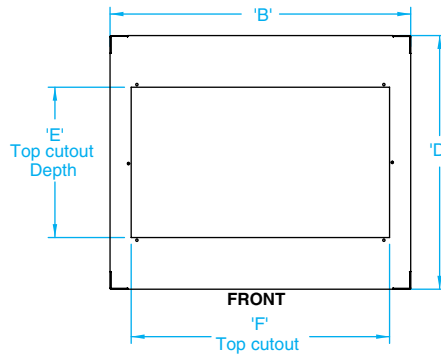
Frames - 24" Mount (C2 Series)

**- FRAME ONLY -
PANEL RAILS
NOT INCLUDED**

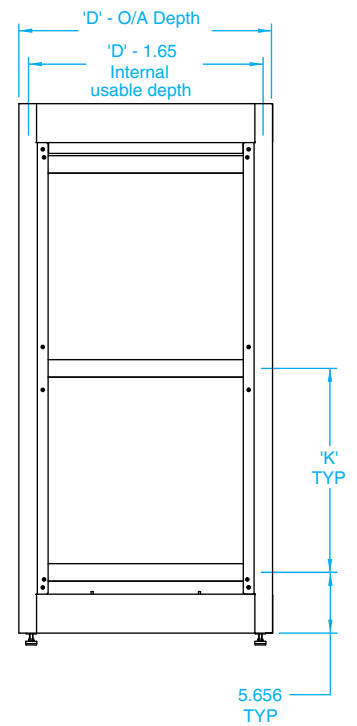
24" Rack Mount (19" Extra Wide)



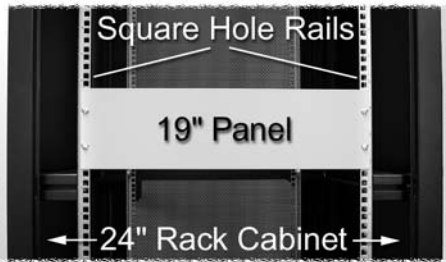
Top View



Right Side View



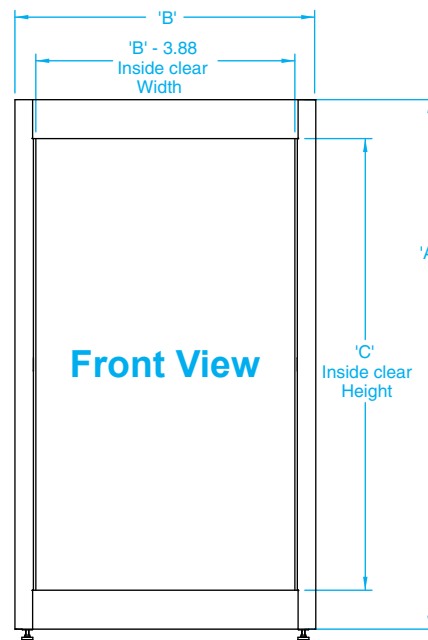
19" Extra Wide Rack Cabinet



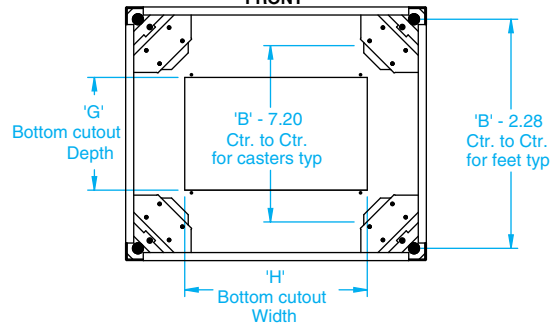
By using our 24" to 19" rail width adaptors (page 60) you can convert our 24" cabinets to 19" Extra Wide Panel Mount

This additional space allows for large bundles of wire that would not fit in standard 19" rack cabinets

Front View



FRONT



Bottom View

Welded



Frames - 24" Mount (C2 Series)

FEATURES

- Heavy duty welded rack frame - 14 gauge steel
- Recommended maximum weight (C2F247836 tested) - 1,500 pounds
- Standard 24" panel mount width (28" overall width)
- **By using panel width adaptors (page 60) - this system can be converted to 19" rack mount with extra wiring area on both sides of equipment. Allows space for vertical cable managers (page 96)**
- Choice of three depths (23.6", 31.5" or 36")
- Unit is shipped as a welded frame only with 4 levelling feet
- **Panel rails are NOT included** allows maximum flexibility of panel rail quantity & options (ie..tapped or square hole) see page 59 for options
- Finished in a rugged, textured powder paint finish
- Welded frame bottom includes caster mounts
- See ordering guide (next page)

23.63" Deep (Usable Depth = 21.63")

| Part Number | | Dimensions (Inches) | | | | | | | | | |
|----------------|----------------|---------------------|-------|---------|-------|-------|------------|-------|---------------|-------|---------------|
| | | Panel Height | | Overall | | | Top Cutout | | Bottom Cutout | | Strut Spacing |
| | | | | Height | Width | Depth | Depth | Width | Depth | Width | |
| Black Textured | Beige Textured | C | Units | A | B | D | E | F | G | H | K |
| C2F243523BK1 | C2F243523CG1 | 35.06 | 20 | 42.31 | 28 | 23.63 | 14 | 24 | 10.5 | 17 | N/A |
| C2F244223BK1 | C2F244223CG1 | 42.06 | 24 | 49.31 | 28 | 23.63 | 14 | 24 | 10.5 | 17 | 19.00 |
| C2F244923BK1 | C2F244923CG1 | 49.06 | 28 | 56.31 | 28 | 23.63 | 14 | 24 | 10.5 | 17 | 22.50 |
| C2F245623BK1 | C2F245623CG1 | 56.06 | 32 | 63.31 | 28 | 23.63 | 14 | 24 | 10.5 | 17 | 26.00 |
| C2F246323BK1 | C2F246323CG1 | 63.06 | 36 | 70.31 | 28 | 23.63 | 14 | 24 | 10.5 | 17 | 29.50 |
| C2F247023BK1 | C2F247023CG1 | 70.06 | 40 | 77.31 | 28 | 23.63 | 14 | 24 | 10.5 | 17 | 33.00 |
| C2F247823BK1 | C2F247823CG1 | 78.81 | 45 | 86.06 | 28 | 23.63 | 14 | 24 | 10.5 | 17 | 37.38 |
| C2F248523BK1 | C2F248523CG1 | 85.81 | 49 | 93.06 | 28 | 23.63 | 14 | 24 | 10.5 | 17 | 40.88 |

31.5" Deep (Usable Depth = 29.5")

| Part Number | | Dimensions (Inches) | | | | | | | | | |
|----------------|----------------|---------------------|-------|---------|-------|-------|------------|-------|---------------|-------|---------------|
| | | Panel Height | | Overall | | | Top Cutout | | Bottom Cutout | | Strut Spacing |
| | | | | Height | Width | Depth | Depth | Width | Depth | Width | |
| Black Textured | Beige Textured | C | Units | A | B | D | E | F | G | H | K |
| C2F243531BK1 | C2F243531CG1 | 35.06 | 20 | 42.31 | 28 | 31.50 | 22.75 | 24 | 17.5 | 17 | N/A |
| C2F244231BK1 | C2F244231CG1 | 42.06 | 24 | 49.31 | 28 | 31.50 | 22.75 | 24 | 17.5 | 17 | 19.00 |
| C2F244931BK1 | C2F244931CG1 | 49.06 | 28 | 56.31 | 28 | 31.50 | 22.75 | 24 | 17.5 | 17 | 22.50 |
| C2F245631BK1 | C2F245631CG1 | 56.06 | 32 | 63.31 | 28 | 31.50 | 22.75 | 24 | 17.5 | 17 | 26.00 |
| C2F246331BK1 | C2F246331CG1 | 63.06 | 36 | 70.31 | 28 | 31.50 | 22.75 | 24 | 17.5 | 17 | 29.50 |
| C2F247031BK1 | C2F247031CG1 | 70.06 | 40 | 77.31 | 28 | 31.50 | 22.75 | 24 | 17.5 | 17 | 33.00 |
| C2F247831BK1 | C2F247831CG1 | 78.81 | 45 | 86.06 | 28 | 31.50 | 22.75 | 24 | 17.5 | 17 | 37.38 |
| C2F248531BK1 | C2F248531CG1 | 85.81 | 49 | 93.06 | 28 | 31.50 | 22.75 | 24 | 17.5 | 17 | 40.88 |

36" Deep (Usable Depth = 34")

| Part Number | | Dimensions (Inches) | | | | | | | | | |
|----------------|----------------|---------------------|-------|---------|-------|-------|------------|-------|---------------|-------|---------------|
| | | Panel Height | | Overall | | | Top Cutout | | Bottom Cutout | | Strut Spacing |
| | | | | Height | Width | Depth | Depth | Width | Depth | Width | |
| Black Textured | Beige Textured | C | Units | A | B | D | E | F | G | H | K |
| C2F243536BK1 | C2F243536CG1 | 35.06 | 20 | 42.31 | 28 | 36 | 27.25 | 24 | 17.5 | 17 | N/A |
| C2F244236BK1 | C2F244236CG1 | 42.06 | 24 | 49.31 | 28 | 36 | 27.25 | 24 | 17.5 | 17 | 19.00 |
| C2F244936BK1 | C2F244936CG1 | 49.06 | 28 | 56.31 | 28 | 36 | 27.25 | 24 | 17.5 | 17 | 22.50 |
| C2F245636BK1 | C2F245636CG1 | 56.06 | 32 | 63.31 | 28 | 36 | 27.25 | 24 | 17.5 | 17 | 26.00 |
| C2F246336BK1 | C2F246336CG1 | 63.06 | 36 | 70.31 | 28 | 36 | 27.25 | 24 | 17.5 | 17 | 29.50 |
| C2F247036BK1 | C2F247036CG1 | 70.06 | 40 | 77.31 | 28 | 36 | 27.25 | 24 | 17.5 | 17 | 33.00 |
| C2F247836BK1 | C2F247836CG1 | 78.81 | 45 | 86.06 | 28 | 36 | 27.25 | 24 | 17.5 | 17 | 37.38 |
| C2F248536BK1 | C2F248536CG1 | 85.81 | 49 | 93.06 | 28 | 36 | 27.25 | 24 | 17.5 | 17 | 40.88 |

24" Rack Mount (19" Extra Wide)

Welded

EUROPE

Basingstoke, UK 01256 812812

AUSTRALIA

Queenstown SA, Australia 61-8-8240-2244



CANADA

Guelph, Ontario (519) 822-2960
St. Laurent, Quebec (514) 343-9010

USA

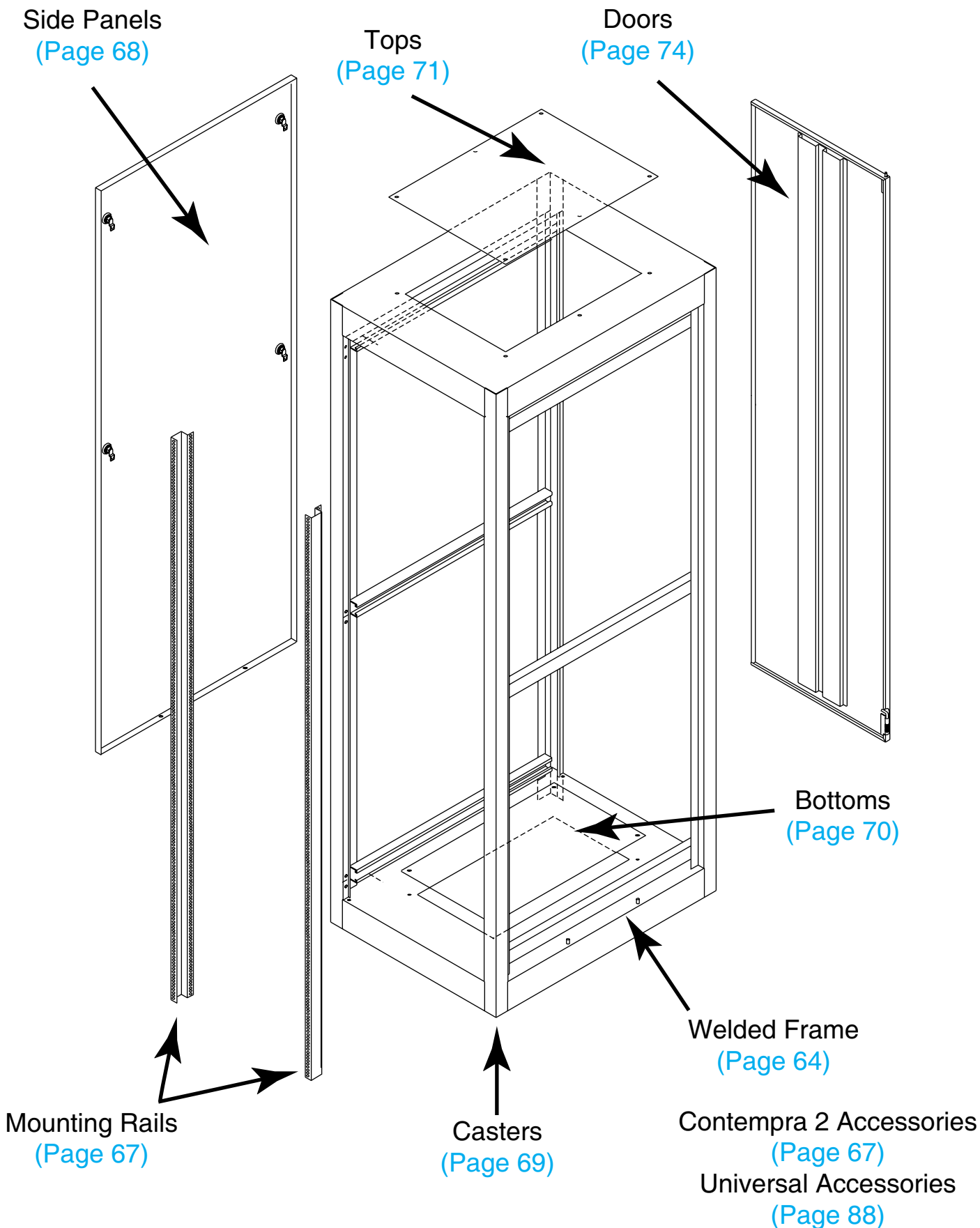
Cheektowaga, NY (716) 630-7030



Ordering Guide - 24" Mount (C2 Series)

24" Rack Mount (19" Extra Wide)

Welded



Panel Rails - 24" Mount (C2 Series)

TAPPED RAILS

- **SOLD IN PAIRS**
- Drilled and tapped (10-32)
- Heavy duty construction - formed from 10 gauge steel
- Full EIA hole centers (5/8 - 5/8 - 1/2 inch spacing)
- Bolts vertically in cabinet to amhal struts
- Includes strut mounting hardware, panel mounting hardware available on page 119
- Zinc plated finish
- Front of rail allows for 19" (with adaptors - next page) or 24" panel rack mounting
- Rear of rail flange for rear equipment support or accessory mounting



19" (with Adaptors)
or 24" Mount Rails

| Part Number (Sold in Pairs) | Panel Height | |
|--------------------------------|--------------|-------|
| | Inches | Units |
| CCR35TZPL | 35.00 | 20 |
| CCR42TZPL | 42.00 | 24 |
| CCR49TZPL | 49.00 | 28 |
| CCR56TZPL | 56.00 | 32 |
| CCR63TZPL | 63.00 | 36 |
| CCR70TZPL | 70.00 | 40 |
| CCR78TZPL | 78.75 | 45 |
| CCR85TZPL | 85.75 | 49 |

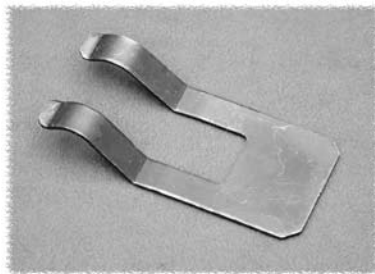
SQUARE HOLE RAILS

- **SOLD IN PAIRS**
- Square hole punched - allowing choice of hardware for 10-32 or 12-24 or M6 thread cage nuts
- Includes a starter quantity (25) of 10-32 cage nuts
- Heavy duty construction - formed from 12 gauge steel
- Full EIA hole centers (5/8 - 5/8 - 1/2 inch spacing)
- Bolts vertically in cabinet to amhal struts
- Includes strut mounting hardware, panel mounting hardware available on page 119
- Zinc plated finish
- Front of rail allows for 19" (with adaptors - next page) or 24" panel rack mounting
- Rear "L" of rail for rear equipment support or accessory mounting



19" (with Adaptors)
or 24" Mount Rails

| Part Number (Sold in Pairs) | Panel Height | |
|--------------------------------|--------------|-------|
| | Inches | Units |
| CPR35SZPL | 35.00 | 20 |
| CPR42SZPL | 42.00 | 24 |
| CPR49SZPL | 49.00 | 28 |
| CPR56SZPL | 56.00 | 32 |
| CPR63SZPL | 63.00 | 36 |
| CPR70SZPL | 70.00 | 40 |
| CPR78SZPL | 78.75 | 45 |
| CPR85SZPL | 85.75 | 49 |



Cage Nut
Installation Tool

- Allows for easy installation of cage nuts in square rail hole
- Spring steel tool
- Part Number **RCNIT**



Additional Cage Nuts

| Part Number | Qty. Per Package | Thread |
|-------------|------------------|--------|
| 1421CNA25 | 25 | 10-32 |
| 1421CNA100 | 100 | 10-32 |
| 1421CNC25 | 25 | 12-24 |
| 1421CNC100 | 100 | 12-24 |
| 1421CNB25 | 25 | M6 |
| 1421CNB100 | 100 | M6 |

23" Mount Rails

| Part Number (Sold in Pairs) | Panel Height | |
|--------------------------------|--------------|-------|
| | Inches | Units |
| CPR2370SZPL | 70.00 | 40 |
| CPR2378SZPL | 78.75 | 45 |

24" Rack Mount (19" Extra Wide)

Welded

EUROPE

Basingstoke, UK 01256 812812

AUSTRALIA

Queenstown SA, Australia 61-8-8240-2244



CANADA

Guelph, Ontario (519) 822-2960
St. Laurent, Quebec (514) 343-9010

USA

Cheektowaga, NY (716) 630-7030



Side Panels - 24" Mount (C2 Series)

RAIL WIDTH ADAPTORS



- **SOLD IN SETS OF 6 - ENOUGH FOR ONE PAIR OF RAILS**
- Converts 24" rack cabinets to 19" rack mount (extra wide)
- Provides additional wiring space along both sides of 19" rack mounted equipment
- Allows space for vertical cable managers (page 96)
- Fits between panel rail and three horizontal channels (amhal struts)
- Constructed of black anodized extruded aluminum
- Kit includes six adaptor brackets, extender bolts and washers - required hardware for one pair of rails
- Part Number **CAK1924**

24" Rack Mount (19" Extra Wide)

SIDE PANELS



FEATURES

- Sold in pairs
- Constructed of 16 gauge steel
- Panels fit flush with frame
- Designed for easy removal and installation
- Features quick release 1/4 turn cam fasteners (4 per side) with internal latching provision
- Two pins on the bottom of the frame allow for easy alignment & installation
- Finished in a rugged textured powder paint

SIDE PANEL LOCKS

- For higher security, the quarter turn fasteners on the side panels can be replaced with a key locking version
- Order part number **CSPQTRL**
- Kit contains 4 quarter turn locks and 8 keys.
- Good for 1 rack (ie...2 locks per side panel)

23.63" Deep

| Part Number | | Depth (Inches) | Panel Height | |
|----------------------------|----------------------------|----------------|--------------|-------|
| Black Textured | Beige Textured | | Inches | Units |
| CSP3523BK1 | CSP3523CG1 | 23.63 | 35.00 | 20 |
| CSP4223BK1 | CSP4223CG1 | 23.63 | 42.00 | 24 |
| CSP4923BK1 | CSP4923CG1 | 23.63 | 49.00 | 28 |
| CSP5623BK1 | CSP5623CG1 | 23.63 | 56.00 | 32 |
| CSP6323BK1 | CSP6323CG1 | 23.63 | 63.00 | 36 |
| CSP7023BK1 | CSP7023CG1 | 23.63 | 70.00 | 40 |
| CSP7823BK1 | CSP7823CG1 | 23.63 | 78.75 | 45 |
| CSP8523BK1 | CSP8523CG1 | 23.63 | 85.75 | 49 |

31.5" Deep

| Part Number | | Depth (Inches) | Panel Height | |
|----------------------------|----------------------------|----------------|--------------|-------|
| Black Textured | Beige Textured | | Inches | Units |
| CSP3531BK1 | CSP3531CG1 | 31.50 | 35.00 | 20 |
| CSP4231BK1 | CSP4231CG1 | 31.50 | 42.00 | 24 |
| CSP4931BK1 | CSP4931CG1 | 31.50 | 49.00 | 28 |
| CSP5631BK1 | CSP5631CG1 | 31.50 | 56.00 | 32 |
| CSP6331BK1 | CSP6331CG1 | 31.50 | 63.00 | 36 |
| CSP7031BK1 | CSP7031CG1 | 31.50 | 70.00 | 40 |
| CSP7831BK1 | CSP7831CG1 | 31.50 | 78.75 | 45 |
| CSP8531BK1 | CSP8531CG1 | 31.50 | 85.75 | 49 |

36" Deep

| Part Number | | Depth (Inches) | Panel Height | |
|----------------------------|----------------------------|----------------|--------------|-------|
| Black Textured | Beige Textured | | Inches | Units |
| CSP3536BK1 | CSP3536CG1 | 36.00 | 35.00 | 20 |
| CSP4236BK1 | CSP4236CG1 | 36.00 | 42.00 | 24 |
| CSP4936BK1 | CSP4936CG1 | 36.00 | 49.00 | 28 |
| CSP5636BK1 | CSP5636CG1 | 36.00 | 56.00 | 32 |
| CSP6336BK1 | CSP6336CG1 | 36.00 | 63.00 | 36 |
| CSP7036BK1 | CSP7036CG1 | 36.00 | 70.00 | 40 |
| CSP7836BK1 | CSP7836CG1 | 36.00 | 78.75 | 45 |
| CSP8536BK1 | CSP8536CG1 | 36.00 | 85.75 | 49 |

Welded



Casters - 24" Mount (C2 Series)

LIGHT DUTY CASTERS

- **Light Duty** - 360 lbs. Mfg.'s specified weight capacity (Set of 4)
- Features ball bearing swivel and hard composition wheels
- Standard 3" x 1.75" hole mounting pattern - no drilling required
- Adds only 0.75" to height of cabinet by fitting up inside base of rack
- Wheels are black & 3" wheel diameter
- Includes mounting hardware
- **SOLD IN A SET OF 4**
- Part Number **1425B**



MEDIUM DUTY CASTERS

- **Medium Duty** - 700 lbs. Mfg.'s specified weight capacity (Set of 4)
- Features ball bearing swivel and hard composition wheels
- Standard 3" x 1.75" hole mounting pattern
- Adds only 0.75" to height of cabinet by fitting up inside base of rack
- Wheels are black & 3" wheel diameter
- Includes mounting hardware
- **SOLD IN A SET OF 4**
- Part Number **1425BM**



HEAVY DUTY CASTERS

- **Heavy Duty** - 1,050 lbs. Mfg.'s specified weight capacity (Set of 4)
- Features ball bearing swivel and hard composition wheels
- Standard 3" x 1.75" hole mounting pattern
- Adds only 0.75" to height of cabinet by fitting up inside base of rack
- Wheels are blue & 3" wheel diameter
- Includes mounting hardware
- **SOLD IN A SET OF 4**
- Part Number **1425BH**



LOCKING CASTERS

- These are exterior mount casters that mount outside of rack frame perimeter to allow foot access of locking pedals
- **Medium Duty** - 560 lbs. Mfg.'s specified weight capacity (Set of 4)
- Available in either locking or non-locking format
- Sold in **pairs** allowing for mix of locking and nonlocking on same cabinet
- 3.5" diameter wheels add 4.88" to cabinet height
- No drilling required as casters fit into built-in caster mounts
- Part Number **CCSTL** for a PAIR of locking casters
- Part Number **CCSTN** for a PAIR of non-locking casters



24" Rack Mount (19" Extra Wide)

Welded

EUROPE

Basingstoke, UK 01256 812812

AUSTRALIA

Queenstown SA, Australia 61-8-8240-2244



CANADA

Guelph, Ontario (519) 822-2960
St. Laurent, Quebec (514) 343-9010

USA

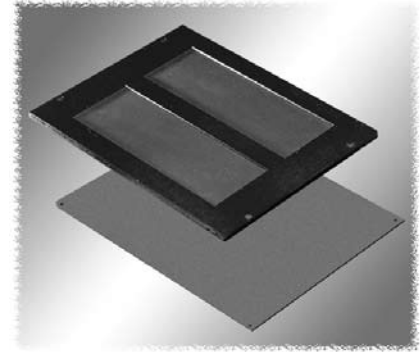
Cheektowaga, NY (716) 630-7030



Bottom Options - 24" Mount (C2 Series)

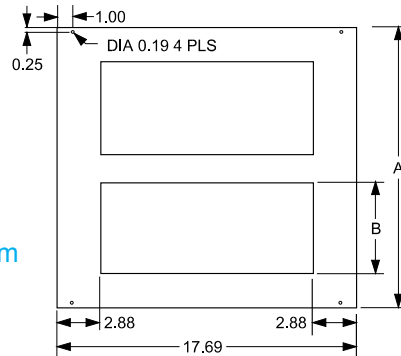
FRAME BOTTOMS

- 14 gauge steel construction
- Micro Cell Cable Entry Bottom features 2 cutouts for cable access. Under side of cutouts covered with black foam rubber which, when punctured for cable access, still maintains a virtually sealed bottom
- Mounting hardware included



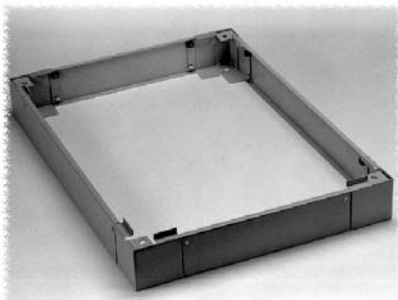
Micro Cell Cable Entry or Solid Steel (pictured top to bottom)

Micro Cell Cable Entry Bottom



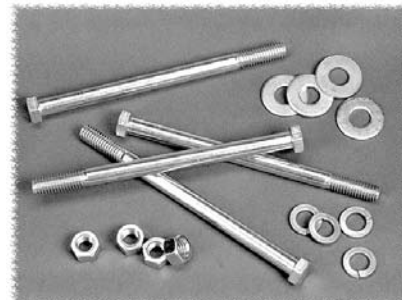
| Part Number | | Type | Dimensions (Inches) | | | |
|----------------|----------------|-------------|---------------------|------|-----|----------------|
| Black Textured | Beige Textured | | Panel Width | A | B | Rack Depth |
| C2BPS1923BK1 | C2BPS1923CG1 | Solid | 19 or 24 | 11.5 | - | 23.63 |
| C2BPS1931BK1 | C2BPS1931CG1 | Solid | 19 or 24 | 11.5 | - | 31.50 or 36.00 |
| C2BPCE1923BK1 | C2BPCE1923CG1 | Cable Entry | 19 or 24 | 18.5 | 3.5 | 23.63 |
| C2BPCE1931BK1 | C2BPCE1931CG1 | Cable Entry | 19 or 24 | 18.5 | 6.0 | 31.50 or 36.00 |

PLINTH



- Adds 4" to overall rack height
- 14 gauge steel construction
- Features 4 corner units and 4 removable fill panels
- By removing both front & rear panels, easy access to bottom cabling and forklift lifting/transport are achieved
- Not compatible with levelling feet or casters

BOLT DOWN KIT



- Fixes rack to floor
- Kit includes set of four - 3/8" x 5 1/2" bolts with flat washers and nuts
- Can be used with or without plinths
- Part Number: **CBDK4**

| Part Number | | Panel Width | Use with Frame Depth |
|----------------|----------------|-------------|----------------------|
| Black Textured | Beige Textured | | |
| CPL24423BK1 | CPL24423CG1 | 24" | 23.63" |
| CPL24431BK1 | CPL24431CG1 | 24" | 31.50" |
| CPL24436BK1 | CPL24436CG1 | 24" | 36.00" |

24" Rack Mount (19" Extra Wide)

Welded

Tops - 24" Mount (C2 Series)

SOLID TOP

- 14 gauge steel construction, finished in a rugged powder paint
- Supplied with mounting hardware
- Should be used on all racks where protection from dust or falling objects is required

| Part Number | | Panel Width | Rack Depth |
|----------------|----------------|-------------|------------|
| Black Textured | Beige Textured | | |
| C2T2423SBK1 | C2T2423SCG1 | 24 | 23.63 |
| C2T2431SBK1 | C2T2431SCG1 | 24 | 31.50 |
| C2T2436SBK1 | C2T2436SCG1 | 24 | 36.00 |



VENTED TOP

- 14 gauge steel construction, finished in a rugged powder paint
- Supplied with mounting hardware
- Provides a practical and economical solution to convection cooling requirements
- Available either with or without 3.5" cable access holes and covers

Without Cable Access Holes

| Part Number | | Panel Width | Rack Depth |
|----------------|----------------|-------------|------------|
| Black Textured | Beige Textured | | |
| C2T2423VBK1 | C2T2423VCG1 | 24 | 23.63 |
| C2T2431VBK1 | C2T2431VCG1 | 24 | 31.50 |
| C2T2436VBK1 | C2T2436VCG1 | 24 | 36.00 |



With 3.5" Cable Access Holes & Covers

| Part Number | | Panel Width | Rack Depth |
|----------------|----------------|-------------|------------|
| Black Textured | Beige Textured | | |
| C2T2423VCEBK1 | C2T2423VCECG1 | 24 | 23.63 |
| C2T2431VCEBK1 | C2T2431VCECG1 | 24 | 31.50 |
| C2T2436VCEBK1 | C2T2436VCECG1 | 24 | 36.00 |



RAISED VENT TOP

- 14 gauge steel construction, finished in a rugged powder paint
- Supplied with mounting hardware
- Simple up or down adjustment permits either raised installation for venting or flush mounting for smooth decorative look
- Allows for protection from falling objects or liquids
- When raised, permits convection cooling as gap between top & frame allows warm air to escape on all four sides

| Part Number | | Panel Width | Rack Depth |
|----------------|----------------|-------------|------------|
| Black Textured | Beige Textured | | |
| C2T2423RBK1 | C2T2423RCG1 | 24 | 23.63 |
| C2T2431RBK1 | C2T2431RCG1 | 24 | 31.50 |
| C2T2436RBK1 | C2T2436RCG1 | 24 | 36.00 |



24" Rack Mount (19" Extra Wide)

Welded

EUROPE

Basingstoke, UK 01256 812812

AUSTRALIA

Queenstown SA, Australia 61-8-8240-2244



CANADA

Guelph, Ontario (519) 822-2960
St. Laurent, Quebec (514) 343-9010

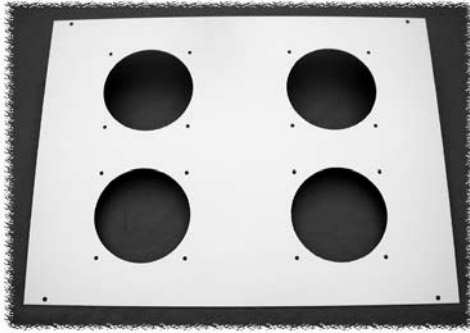
USA

Cheektowaga, NY (716) 630-7030



Fan Tops - 24" Mount (C2 Series)

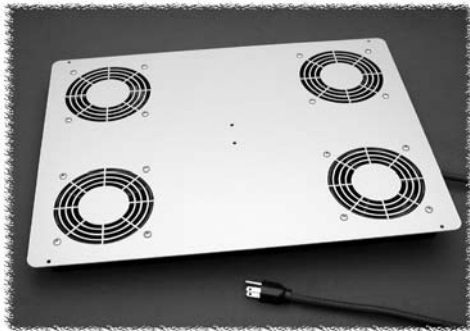
4.7" FAN TOP PANEL



- 14 gauge steel construction, finished in a rugged powder paint
- 4.7" fan top panel - fans not included (see next page)
- Quantity 4 or 6 openings depending on depth of rack
- Maximum flexibility - add fans, leave holes open (for cable access) or use covers (see next page)

| Part Number | | Panel Width | Rack Depth | Fan Holes |
|----------------|----------------|-------------|------------|-----------|
| Black Textured | Beige Textured | | | |
| C2T2423FBK1 | C2T2423FCG1 | 24 | 23.63 | 4 |
| C2T2431FBK1 | C2T2431FCG1 | 24 | 31.50 | 6 |
| C2T2436FBK1 | C2T2436FCG1 | 24 | 36.00 | 6 |

PRE-WIRED 4.7" EXHAUST FAN TOP



- Includes a quantity of 4 - long life, ball bearing, 4.7", 115 volt, 50/60 Hz. AC, 100 CFM fans (230 VAC fan tops available on special order)
- Available with or without thermostat
- Finger guards are punched into top panel and bottom of fan top
- Fans are pre-wired, installed and complete with 3 foot cord & plug

| Part Number | | Panel Width | Rack Depth | Thermostat |
|----------------|----------------|-------------|------------|------------|
| Black Textured | Beige Textured | | | |
| C2T2423F4BK1 | C2T2423F4CG1 | 24 | 23.63 | No |
| C2T2431F4BK1 | C2T2431F4CG1 | 24 | 31.50 | No |
| C2T2436F4BK1 | C2T2436F4CG1 | 24 | 36.00 | No |
| C2T2423F4TBK1 | C2T2423F4TCG1 | 24 | 23.63 | Yes |
| C2T2431F4TBK1 | C2T2431F4TCG1 | 24 | 31.50 | Yes |
| C2T2436F4TBK1 | C2T2436F4TCG1 | 24 | 36.00 | Yes |

PRE-WIRED 10" EXHAUST FAN TOP PANEL



Without Cable Access

- Includes quantity 1 - 10", 550 CFM, 115 V 50/60 Hz. AC fan 35 watt motor (230 VAC fan tops available on special order)
- Thermal protected motor
- Ball bearing construction, plastic blades (3)
- Diecast aluminum body fan
- Rotation is clockwise (looking down at the rotor - as pictured on the left)
- Airflow exhausts the rack (out the top as pictured on the left)
- C UL & UL recognized
- 5' cord and molded on plug
- Top & bottom finger guards included
- Pre-wired and assembled as shown, finished in a rugged powder paint
- Available either with or without 4 cable access holes (3.5") and covers

Without Cable Access Holes

| Part Number | | Panel Width | Rack Depth |
|----------------|----------------|-------------|------------|
| Black Textured | Beige Textured | | |
| C2T2423F10BK1 | C2T2423F10CG1 | 24 | 23.63 |
| C2T2431F10BK1 | C2T2431F10CG1 | 24 | 31.50 |
| C2T2436F10BK1 | C2T2436F10CG1 | 24 | 36.00 |

With Cable Access 3.5" Holes & Covers

| Part Number | | Panel Width | Rack Depth |
|-----------------|-----------------|-------------|------------|
| Black Textured | Beige Textured | | |
| C2T2423F10CEBK1 | C2T2423F10CECG1 | 24 | 23.63 |
| C2T2431F10CEBK1 | C2T2431F10CECG1 | 24 | 31.50 |
| C2T2436F10CEBK1 | C2T2436F10CECG1 | 24 | 36.00 |



With Cable Access

24" Rack Mount (19" Extra Wide)

Welded



Fan Top Accessories - 24" Mount (C2 Series)

4.7" FANS

- 4.70" (120mm), 1.50" deep - Tubeaxial type
- Choice of either 115 or 230 VAC, 50/60 Hz.
- Impedance protected motor Class-B insulated
- Ball bearing construction, metal blades
- Diecast aluminum body
- Rotation is counter clockwise (looking at the rotor - as pictured)
- Airflow is over the struts (out the back as pictured)
- Male plug terminated (requires fan cords below)
- UL recognized, CSA listed, CE certified
- With mounting hardware



| Part Number | Size | | VAC | CFM | Wattage | Use With Fan Guard Part Number |
|------------------------------|--------|-----|-----|-----|---------|--------------------------------|
| | Inches | mm | | | | |
| DNMF100AC115 | 4.70 | 120 | 115 | 105 | 22 | DNFG |
| DNMF100AC230 | 4.70 | 120 | 230 | 105 | 22 | DNFG |

METAL FAN GUARDS

- Constructed of steel
- For covering unused fan top openings or as 4.7" fan guards
- Hardware included

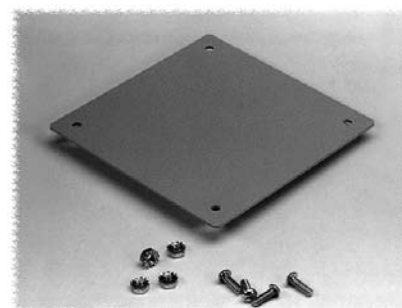
| Part Number | Color | Use with Fan Size |
|----------------------|--------------------------|-------------------|
| DNFG | Wire mesh, nickel plated | 4.7" |



4.7" FAN HOLE COVER

- Constructed of 14 gauge steel
- For covering unused fan top openings on 4.7" fan tops
- Hardware included

| Part Number | Color | Paint Finish |
|-------------------------|------------|--------------|
| DNFPBK1 | Black | Textured |
| DNFPCG1 | Grey-Beige | Textured |



FAN CORD

- For 115 VAC wiring
- Standard molded female fan plug (0.91" x 0.68")

| Part Number | Description | Lead Length | Fan Connector | 115VAC Plug |
|--------------------------|-----------------|-------------|------------------------------|-------------|
| DNMFC | Single Fan Cord | 24" | Straight | No |
| DNFC48P | Single Fan Cord | 48" | 45 degree | Yes |
| DNFC72P | Single Fan Cord | 72" | 45 degree | Yes |
| DNFCDC2P | Daisy Chain | 24" | Qty. 2- 45 degree, 24" apart | Yes |
| DNFCDC3P | Daisy Chain | 24" | Qty 3 - 45 degree, 24" apart | Yes |



24" Rack Mount (19" Extra Wide)

Welded

EUROPE

Basingstoke, UK 01256 812812

AUSTRALIA

Queenstown SA, Australia 61-8-8240-2244



CANADA

Guelph, Ontario (519) 822-2960
St. Laurent, Quebec (514) 343-9010

USA

Cheektowaga, NY (716) 630-7030



Doors - 24" Mount (C2 Series)

SOLID DOOR



- Flush mount
- Heavy duty 16 gauge steel construction with sturdy door stiffeners welded on
- Reversible right or left opening (by inverting door)
- Features lockable latch, magnetic catch and spring loaded hinge pins for instant installation or removal
- Allows full access to space between panel rails when open
- Paint matches rack in the same rugged textured powder paint finish

| Part Number | | Panel Height | | Use With 24" Frame Part Number |
|-----------------------------|-----------------------------|--------------|-------|--------------------------------|
| Black Textured | Beige Textured | Inches | Units | |
| CDF2435SBK1 | CDF2435SCG1 | 35.00 | 20 | C2F2435 |
| CDF2442SBK1 | CDF2442SCG1 | 42.00 | 24 | C2F2442 |
| CDF2449SBK1 | CDF2449SCG1 | 49.00 | 28 | C2F2449 |
| CDF2456SBK1 | CDF2456SCG1 | 56.00 | 32 | C2F2456 |
| CDF2463SBK1 | CDF2463SCG1 | 63.00 | 36 | C2F2463 |
| CDF2470SBK1 | CDF2470SCG1 | 70.00 | 40 | C2F2470 |
| CDF2478SBK1 | CDF2478SCG1 | 78.75 | 45 | C2F2478 |
| CDF2485SBK1 | CDF2485SCG1 | 85.75 | 49 | C2F2485 |

LOUVERED DOOR



- Flush mount
- Heavy duty 16 gauge steel construction with sturdy door stiffeners welded on
- Opens right hand only with louvers facing down
- Features lockable latch, magnetic catch and spring loaded hinge pins for instant installation or removal
- Allows full access to space between panel rails when open
- Paint matches rack in the same rugged textured powder paint finish

| Part Number | | Panel Height | | Use With 24" Frame Part Number |
|-----------------------------|-----------------------------|--------------|-------|--------------------------------|
| Black Textured | Beige Textured | Inches | Units | |
| CDF2435LBK1 | CDF2435LCG1 | 35.00 | 20 | C2F2435 |
| CDF2442LBK1 | CDF2442LCG1 | 42.00 | 24 | C2F2442 |
| CDF2449LBK1 | CDF2449LCG1 | 49.00 | 28 | C2F2449 |
| CDF2456LBK1 | CDF2456LCG1 | 56.00 | 32 | C2F2456 |
| CDF2463LBK1 | CDF2463LCG1 | 63.00 | 36 | C2F2463 |
| CDF2470LBK1 | CDF2470LCG1 | 70.00 | 40 | C2F2470 |
| CDF2478LBK1 | CDF2478LCG1 | 78.75 | 45 | C2F2478 |
| CDF2485LBK1 | CDF2485LCG1 | 85.75 | 49 | C2F2485 |

PLEXI DOOR



- Flush mount
- 16 gauge steel door frame with smoked plexi glass insert
- Reversible right or left opening (by inverting door)
- Features lockable latch, magnetic catch and spring loaded hinge pins for instant installation or removal
- Allows full access to space between panel rails when open
- Frame painted with rugged textured black powder paint

| Part Number | Panel Height | | Use With 24" Frame Part Number |
|------------------------------|-------------------|--------|--------------------------------|
| | Black Flush Plexi | Inches | |
| C2DF2435PBK1 | 35.00 | 20 | C2F2435 |
| C2DF2442PBK1 | 42.00 | 24 | C2F2442 |
| C2DF2449PBK1 | 49.00 | 28 | C2F2449 |
| C2DF2456PBK1 | 56.00 | 32 | C2F2456 |
| C2DF2463PBK1 | 63.00 | 36 | C2F2463 |
| C2DF2470PBK1 | 70.00 | 40 | C2F2470 |
| C2DF2478PBK1 | 78.75 | 45 | C2F2478 |
| C2DF2485PBK1 | 85.75 | 49 | C2F2485 |

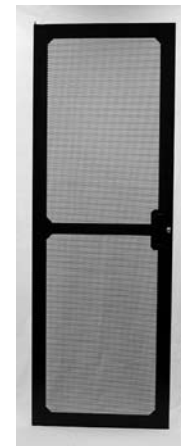
24" Rack Mount (19" Extra Wide)

Welded

Doors - 24" Mount (C2 Series)

PERFORATED DOOR

- Flush mount
- Provides maximum ventilation while maintaining security
- Heavy Duty 16 gauge steel construction with perforated steel inserts
- Reversible right or left opening (by inverting door)
- Features lockable latch, magnetic catch and spring loaded hinge pins for instant installation or removal
- Allows full access to space between panel rails when open
- Paint matches "C2" type rack frame in the same rugged textured powder paint finish.



| Part Number | | Panel Height | | Use With 24" Frame Part Number |
|-----------------------------|-----------------------------|--------------|-------|--------------------------------|
| Black Textured | Beige Textured | Inches | Units | |
| CDF2470VBK1 | CDF2470VCG1 | 70.00 | 40 | C2F2470 |
| CDF2478VBK1 | CDF2478VCG1 | 78.00 | 45 | C2F2478 |

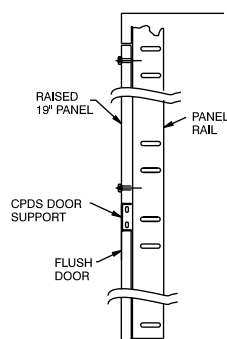
VENTILATED PLEXI DOOR

- Flush mount
- Provides airflow through cabinet and excellent equipment visibility
- 16 gauge steel door frame (ventilated) with smoked plexi glass insert
- Reversible right or left opening (by inverting door)
- Features lockable latch, magnetic catch and spring loaded hinge pins for instant installation or removal
- Allows full access to space between panel rails when open
- Complete with keyed lock and magnet strip for closure
- Frame is painted with a rugged textured black powder paint finish.



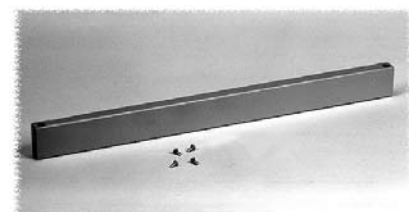
| Part Number | | Panel Height | | Use With 24" Frame Part Number |
|------------------------------|------------------------------|--------------|-------|--------------------------------|
| Black Textured | Beige Textured | Inches | Units | |
| CDF2470VPBK1 | CDF2470VPCG1 | 70.00 | 40 | C2F2470 |
| CDF2478VPBK1 | CDF2478VPCG1 | 78.00 | 45 | C2F2478 |

PARTIAL HEIGHT DOOR SUPPORT



- Allows partial height door installation (used when blowers are installed in bottom of rack)
- Requires drilling of rack frame
- Occupies 1.75" (1U) of panel height
- Door support is 0.75" deep

| Part Number | | For Panel Width |
|---------------------------|---------------------------|-----------------|
| Black Textured | Beige Textured | |
| CPDS24BK1 | CPDS24CG1 | 24" |



24" Rack Mount (19" Extra Wide)

Welded

EUROPE

Basingstoke, UK 01256 812812

AUSTRALIA

Queenstown SA, Australia 61-8-8240-2244



CANADA

Guelph, Ontario (519) 822-2960
St. Laurent, Quebec (514) 343-9010

USA

Cheektowaga, NY (716) 630-7030



Exclusive Accessories - 24" Mount (C2 Series)

GANGING KIT



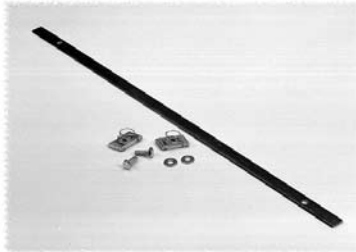
- Complete hardware kit allowing two racks to be ganged at six points along vertical frame side.
- Part Number **CGH01**

EXTRA LEVELLING FEET



- Contempra racks all **INCLUDE** 4 nylon base levelling feet
- Set of 4
- Four levelling feet will support a maximum of 800 lbs.
- Part Number **CLFK** for standard nylon base
- Part Number **CLFKNS** for nonskid rubber base

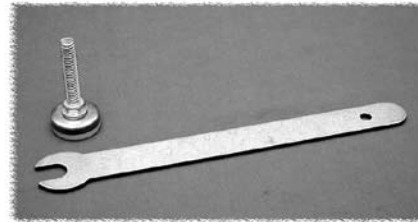
GROUND BUS BARS



| Part Number | Use With Rack Part Number |
|--------------|---------------------------|
| CBB35 | C2F1935 |
| CBB42 | C2F1942 |
| CBB49 | C2F1949 |
| CBB56 | C2F1956 |
| CBB63 | C2F1963 |
| CBB70 | C2F1970 |
| CBB78 | C2F1978 |
| CBB85 | C2F1985 |

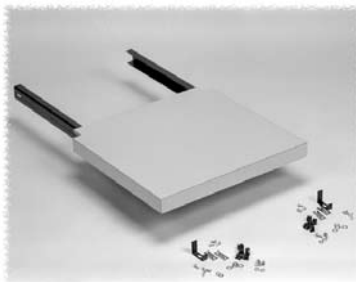
- Full length copper strip 0.13" x 0.63"
- Includes hardware for mounting on rack frame side struts

LEVELLING FOOT WRENCH



- Laser cut flat steel wrench
- Designed for easy levelling under frame
- Part Number **RFLW**

DESK UNIT



- Constructed of beige laminate and 14 gauge steel support channels
- Ideal for writing surface, keyboard or instrument mounting requirements
- Mounts onto rails, but is notched on both sides for flush fit with cabinet sides.
- Part Number **CW24CG4**

TRIM KIT



- Extruded aluminum dress kit with black inlay (ideal for custom identification)
- Attaches with strong adhesive requiring no drilling or hardware
- Compatible with flush doors only
- Part Number **C2ID24**

24" Rack Mount (19" Extra Wide)

Welded



Welded Rack Cabinets



NEMA 12 Components

NEMA 12

Welded

NEMA 12 Frames (C3 Series)

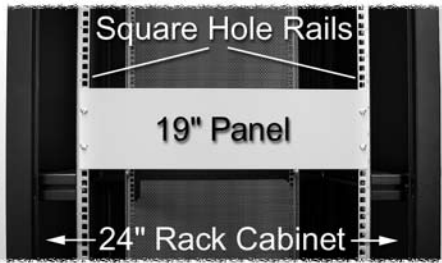


**- FRAME ONLY -
PANEL RAILS
NOT INCLUDED**



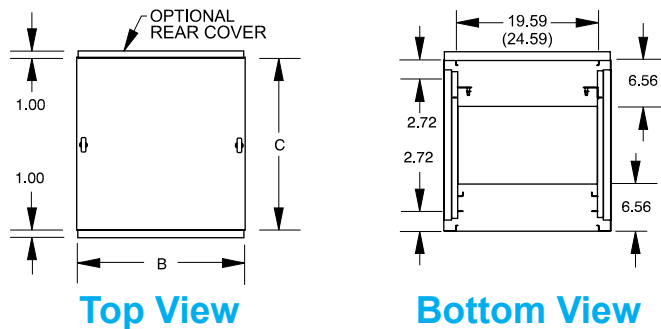
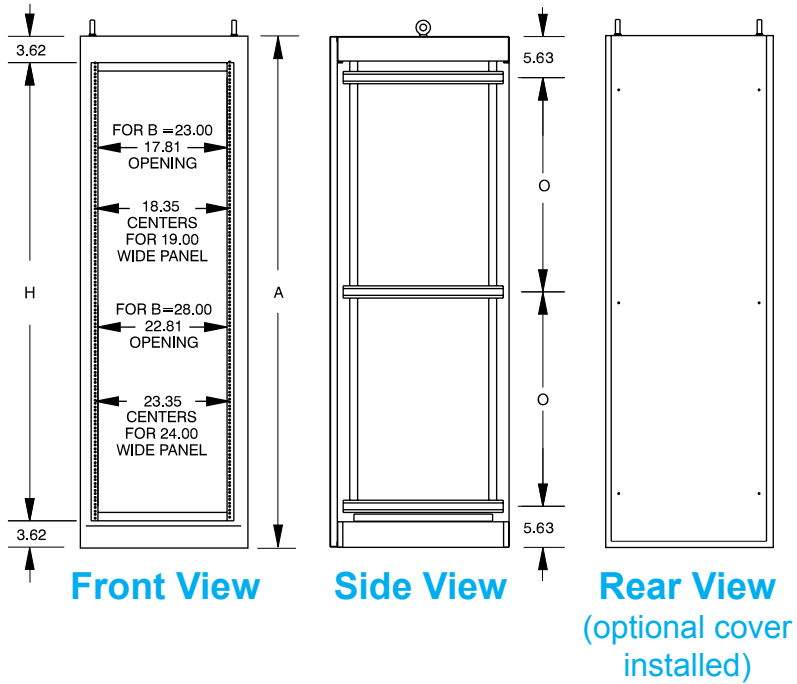
NEMA 12

19" Extra Wide NEMA 12 Rack Cabinet



By using our 24" to 19" rail width adaptors (page 74) you can convert our 24" cabinets to 19" Extra Wide Panel Mount

This additional space allows for large bundles of wire that would not fit in standard 19" rack cabinets



Welded



NEMA 12 Frames (C3 Series)

FEATURES

- NEMA 12 rated - ideal for use in harsh factory floor situations
- CSA & UL listed
- Oil resistant gaskets are permanently secured on all openings
- Sides and doors are easily removable for easy internal access
- Heavy duty - welded rack (1,500 lb even load rating)
- Choice of standard 19" panel width (23" overall) or 24" panel width (28" overall)
- **By using panel width adaptors (page 74) - this system can be converted to 19" rack mount with extra wiring area on both sides of equipment. Allows space for vertical cable managers (page 96)**
- Choice of two depths:
 - usable depth of 21.63" (23.63" overall)
 - usable depth of 29.50" (31.50" overall)
- Unit is shipped as welded frame only with 4 levelling feet
- **Panel rails are NOT included** allows maximum flexibility of panel rail quantity & options (ie..tapped or square hole)
- Heavy duty: 14 gauge steel frame
- Frame ships with reinforced lifting eyes
- Finished in a rugged, textured beige powder paint
- See ordering guide (next page)

19" Rack Mount Versions

23.63" Deep (Usable Depth = 21.63")

| Part Number | Panel Width | Panel Height | | Overall Dimensions (Inches) | | | | Strut Center |
|------------------------------|-------------|--------------|-------|-----------------------------|-------|-------|-------|--------------|
| | | Inches | Units | A | B | Depth | H | O |
| C3F196323CG1 | 19.00 | 63 | 36 | 70.31 | 23.00 | 23.63 | 63.06 | 29.50 |
| C3F197023CG1 | 19.00 | 70 | 40 | 77.31 | 23.00 | 23.63 | 70.06 | 33.00 |
| C3F197823CG1 | 19.00 | 78 | 45 | 86.06 | 23.00 | 23.63 | 78.81 | 37.38 |

31.5" Deep (Usable Depth = 29.5")

| Part Number | Panel Width | Panel Height | | Overall Dimensions (Inches) | | | | Strut Center |
|------------------------------|-------------|--------------|-------|-----------------------------|-------|-------|-------|--------------|
| | | Inches | Units | A | B | Depth | H | O |
| C3F196331CG1 | 19.00 | 63 | 36 | 70.31 | 23.00 | 31.50 | 63.06 | 29.50 |
| C3F197031CG1 | 19.00 | 70 | 40 | 77.31 | 23.00 | 31.50 | 70.06 | 33.00 |
| C3F197831CG1 | 19.00 | 78 | 45 | 86.06 | 23.00 | 31.50 | 78.81 | 37.38 |

24" Rack Mount Versions

23.63" Deep (Usable Depth = 21.63")

| Part Number | Panel Width | Panel Height | | Overall Dimensions (Inches) | | | | Strut Center |
|------------------------------|-------------|--------------|-------|-----------------------------|-------|-------|-------|--------------|
| | | Inches | Units | A | B | Depth | H | O |
| C3F246323CG1 | 24.00 | 63 | 36 | 70.31 | 28.00 | 23.63 | 63.06 | 29.50 |
| C3F247023CG1 | 24.00 | 70 | 40 | 77.31 | 28.00 | 23.63 | 70.06 | 33.00 |
| C3F247823CG1 | 24.00 | 78 | 45 | 86.06 | 28.00 | 23.63 | 78.81 | 37.38 |

31.5" Deep (Usable Depth = 29.5")

| Part Number | Panel Width | Panel Height | | Overall Dimensions (Inches) | | | | Strut Center |
|------------------------------|-------------|--------------|-------|-----------------------------|-------|-------|-------|--------------|
| | | Inches | Units | A | B | Depth | H | O |
| C3F246331CG1 | 24.00 | 63 | 36 | 70.31 | 28.00 | 31.50 | 63.06 | 29.50 |
| C3F247031CG1 | 24.00 | 70 | 40 | 77.31 | 28.00 | 31.50 | 70.06 | 33.00 |
| C3F247831CG1 | 24.00 | 78 | 45 | 86.06 | 28.00 | 31.50 | 78.81 | 37.38 |

NEMA 12

Welded

EUROPE

Basingstoke, UK 01256 812812

AUSTRALIA

Queenstown SA, Australia 61-8-8240-2244



CANADA

Guelph, Ontario (519) 822-2960
St. Laurent, Quebec (514) 343-9010

USA

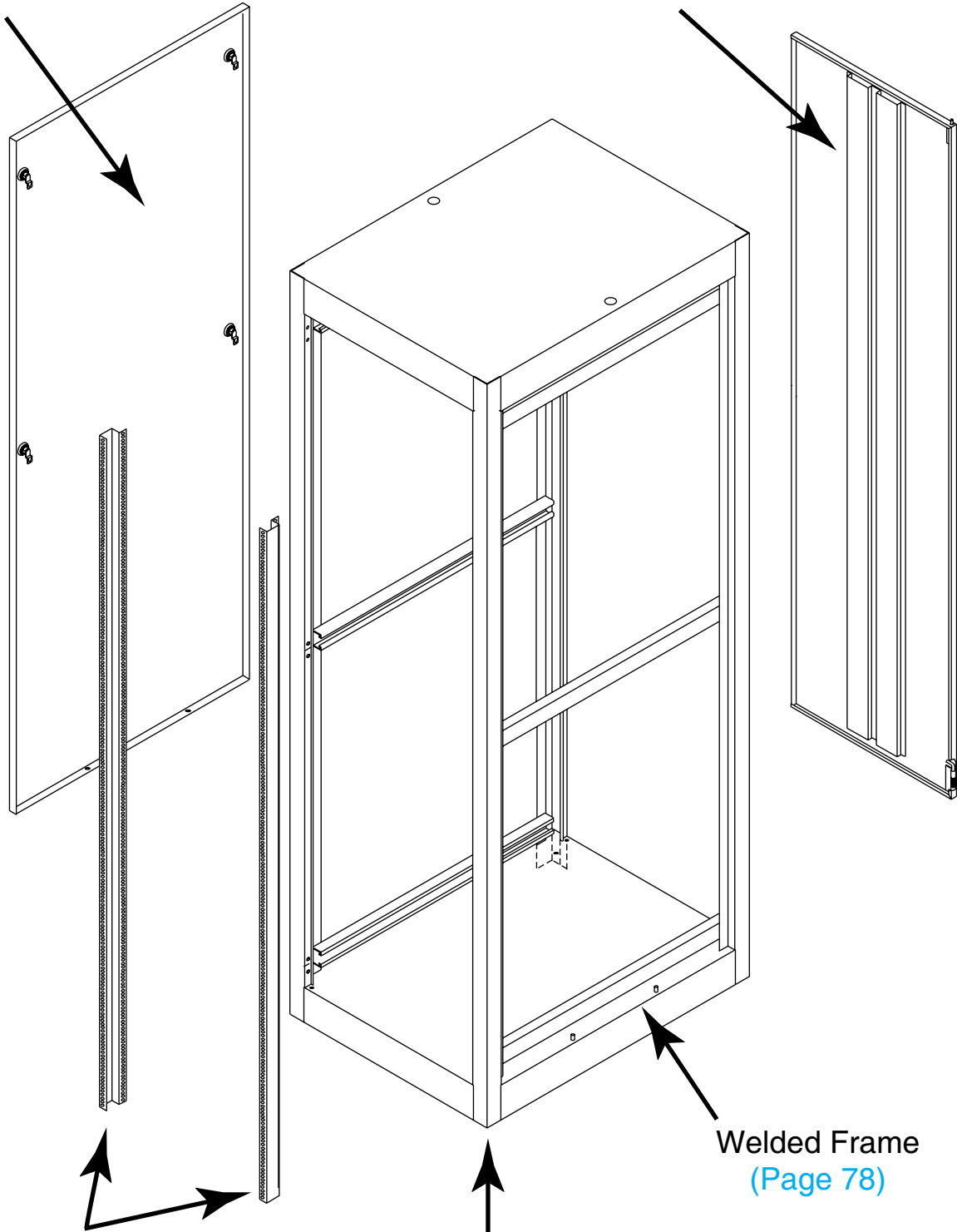
Cheektowaga, NY (716) 630-7030



Ordering Guide - NEMA 12 (C3 Series)

Side Panels
(Page 82)

Doors
(Page 84)



Mounting Rails
(Page 81)

Caster Assembly
(Page 83)

Welded Frame
(Page 78)

Contempra 3 Accessories
(Page 81)

Universal Accessories
(Page 88)

NEMA 12

Welded



Panel Rails - NEMA 12 (C3 Series)

TAPPED RAILS

• SOLD IN PAIRS

- Drilled and tapped (10-32)
- Heavy duty construction - formed from 10 gauge steel
- Full EIA hole centers (5/8 - 5/8 - 1/2 inch spacing)
- Bolts vertically in rack to amhal struts
- Includes strut mounting hardware, panel mounting hardware available on page 119
- Zinc plated finish
- Front of rail allows for 19" or 24" panel rack mounting (depending on the width of the cabinet frame ordered)
- By using panel width adaptors (next page) - the 24" rack mount frames can be converted to 19" rack mount with extra wiring area on both sides of equipment
- Rear of rail flange for rear support or accessory mounting



| Part Number (Sold in Pairs) | Panel Height | |
|--------------------------------|--------------|-------|
| | Inches | Units |
| CCR35TZPL | 35.00 | 20 |
| CCR42TZPL | 42.00 | 24 |
| CCR49TZPL | 49.00 | 28 |
| CCR56TZPL | 56.00 | 32 |
| CCR63TZPL | 63.00 | 36 |
| CCR70TZPL | 70.00 | 40 |
| CCR78TZPL | 78.75 | 45 |
| CCR85TZPL | 85.75 | 49 |

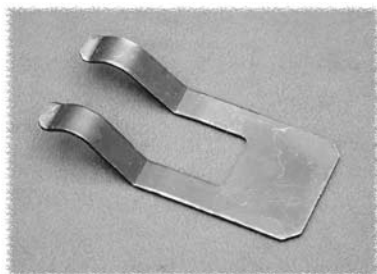
SQUARE HOLE RAILS

• SOLD IN PAIRS

- Square hole punched - allowing choice of hardware for 10-32 or 12-24 or M6 thread cage nuts), Full EIA hole centers (5/8 - 5/8 - 1/2 inch spacing)
- Includes a starter quantity (25) of 10-32 cage nuts
- Heavy duty construction - formed from 12 gauge steel, zinc plated finish
- Bolts vertically in rack to amhal struts
- Includes strut mounting hardware, panel mounting hardware available on page 119
- Front of rail allows for 19" or 24" panel rack mounting (depending on the width of the cabinet frame ordered)
- By using panel width adaptors (next page) - the 24" rack frames can be converted to 19" rack mount with extra wiring area on both sides of equipment
- 23" mount rails ONLY work in 24" rack cabinet frames
- Rear "L" of rail for rear support or accessory mounting



| Part Number (Sold in Pairs) | Panel Height | |
|--------------------------------|--------------|-------|
| | Inches | Units |
| CPR35SZPL | 35.00 | 20 |
| CPR42SZPL | 42.00 | 24 |
| CPR49SZPL | 49.00 | 28 |
| CPR56SZPL | 56.00 | 32 |
| CPR63SZPL | 63.00 | 36 |
| CPR70SZPL | 70.00 | 40 |
| CPR78SZPL | 78.75 | 45 |
| CPR85SZPL | 85.75 | 49 |



**Cage Nut
Installation Tool**

- Allows for easy installation of cage nuts in square rail hole
- Spring steel tool
- Part Number **RCNIT**



Additional Cage Nuts

| Part Number | Qty. Per Package | Thread |
|-------------|------------------|--------|
| 1421CNA25 | 25 | 10-32 |
| 1421CNA100 | 100 | 10-32 |
| 1421CNC25 | 25 | 12-24 |
| 1421CNC100 | 100 | 12-24 |
| 1421CNB25 | 25 | M6 |
| 1421CNB100 | 100 | M6 |

23" Mount Rails

| Part Number (Sold in Pairs) | Panel Height | |
|--------------------------------|--------------|-------|
| | Inches | Units |
| CPR2370SZPL | 70.00 | 40 |
| CPR2378SZPL | 78.75 | 45 |

NEMA 12

Welded

EUROPE

Basingstoke, UK 01256 812812

AUSTRALIA

Queenstown SA, Australia 61-8-8240-2244



CANADA

Guelph, Ontario (519) 822-2960
St. Laurent, Quebec (514) 343-9010

USA

Cheektowaga, NY (716) 630-7030



Width Adaptors & Side Panels (C3 Series)

RAIL WIDTH ADAPTORS (24" Rack Frames ONLY)



- NOT REQUIRED FOR 19" RACK FRAMES
- SOLD IN SETS OF 6 - ENOUGH FOR ONE PAIR OF RAILS
- Converts 24" rack cabinets to 19" rack mount (extra wide)
- Provides additional wiring space along both sides of 19" rack mounted equipment
- Allows space for vertical cable managers (page 96)
- Fits between panel rail and three horizontal channels (amhal struts)
- Constructed of black anodized extruded aluminum
- Kit includes six adaptor brackets, extender bolts and washers - required hardware for one pair of rails
- Part Number **CAK1924**

SIDE PANELS



- SOLD IN PAIRS
- Constructed of 16 gauge steel
- Panels fit flush with frame
- Features quick release 1/4 turn cam fasteners providing a tight seal against gasket on the frame
- Finished in beige textured powder paint (matches frame)

For 23.63" Deep Frame

| Part Number | Rack Depth (Inches) | Panel Height | | Use With Frame Part Number |
|--------------------|---------------------|--------------|-------|------------------------------|
| | | Inches | Units | |
| C3SP6323CG1 | 23.63 | 63 | 36 | C3F196323CG1 or C3F246323CG1 |
| C3SP7023CG1 | 23.63 | 70 | 40 | C3F197023CG1 or C3F247023CG1 |
| C3SP7823CG1 | 23.63 | 78 | 45 | C3F197823CG1 or C3F247823CG1 |

For 31.5" Deep Frame

| Part Number | Rack Depth (Inches) | Panel Height | | Use With Frame Part Number |
|--------------------|---------------------|--------------|-------|------------------------------|
| | | Inches | Units | |
| C3SP6331CG1 | 31.50 | 63 | 36 | C3F196331CG1 or C3F246331CG1 |
| C3SP7031CG1 | 31.50 | 70 | 40 | C3F197031CG1 or C3F247031CG1 |
| C3SP7831CG1 | 31.50 | 78 | 45 | C3F197831CG1 or C3F247831CG1 |



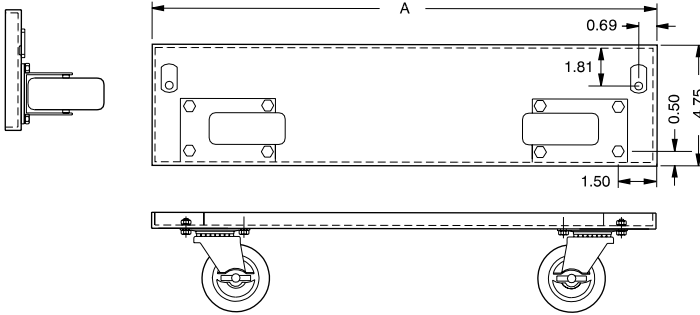
- For higher security, the quarter turn fasteners on the side panels can be replaced with this key locking version
- Order part number **C3SPQTRL**
- Kit contains 4 quarter turn locks and 8 keys.
- Good for 1 rack (ie...2 locks per side panel)

NEMA 12

Welded

Casters & Plinths - NEMA 12 (C3 Series)

CASTER BASE ASSEMBLY



- Casters and adaptor base provide heavy duty caster capability
- Complete assembly with four casters, mounts to rack frame without drilling
- 3" non-static rockite caster wheels with ball bearing pivots
- 1,080 lb. Mfg's specified weight capacity
- Not compatible with plinth (below)
- Hardware included

For 19" Rack Mount Frames

| Part Number | A |
|----------------|-------|
| C3CRS19 | 19.88 |

For 24" Rack Mount Frames

| Part Number | A |
|----------------|-------|
| C3CRS24 | 24.88 |

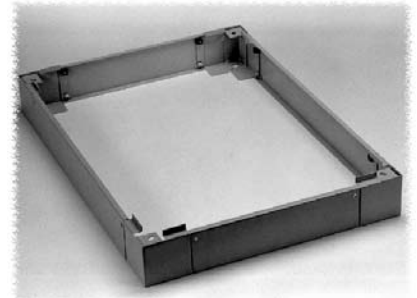
LOCKING CASTERS

- These are exterior mount casters that mount outside of rack frame perimeter to allow foot access of locking pedals
- **Medium Duty** - 560# Mfg's specified weight capacity (Set of 4)
- Available in either locking or non-locking format
- Sold in **pairs** allowing for mix of locking and nonlocking on same cabinet
- 3.5" diameter wheels add 4.88" to cabinet height
- No drilling required as casters fit into built-in caster mounts
- Part Number **CCSTL** for a PAIR of locking casters
- Part Number **CCSTN** for a PAIR of non-locking casters



PLINTH

- Adds 4" to overall rack height
- 14 gauge steel construction
- Features 4 corner units and 4 removable fill panels
- By removing both front & rear panels, easy access to bottom cabling and forklift lifting/transport are achieved
- Not compatible with levelling feet or casters



For 19" Rack Mount Frames

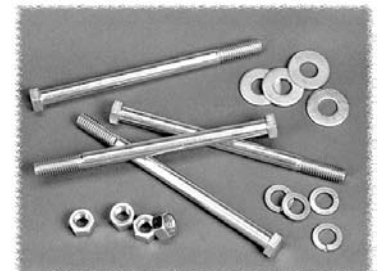
| Part Number | | Panel Width | Use with Frame Depth |
|--------------------|--------------------|-------------|----------------------|
| Black Textured | Beige Textured | | |
| CPL19423BK1 | CPL19423CG1 | 19" | 23.63" |
| CPL19431BK1 | CPL19431CG1 | 19" | 31.50" |

For 24" Rack Mount Frames

| Part Number | | Panel Width | Use with Frame Depth |
|--------------------|--------------------|-------------|----------------------|
| Black Textured | Beige Textured | | |
| CPL24423BK1 | CPL24423CG1 | 24" | 23.63" |
| CPL24431BK1 | CPL24431CG1 | 24" | 31.50" |

BOLT DOWN KIT

- Fixes rack to floor
- Kit includes set of four - 3/8" x 5 1/2" bolts with flat washers and nuts
- Can be used with or without plinths
- Part Number: **CBDK4**



EUROPE

Basingstoke, UK 01256 812812

AUSTRALIA

Queenstown SA, Australia 61-8-8240-2244



CANADA

Guelph, Ontario (519) 822-2960
St. Laurent, Quebec (514) 343-9010

USA

Cheektowaga, NY (716) 630-7030



NEMA 12

Welded

Doors - NEMA 12 (C3 Series)

SOLID DOOR



- Heavy Duty 14 gauge steel construction
- Smooth action handle provides solid NEMA 12 seal
- Quick release hinge design allows for easy removal
- Can be used on front or rear of frame
- Allows full access to space between panel rails when open
- Finish matches “C3” type rack frame in the same rugged beige textured powder paint

For 19” Rack Mount Frames

| Part Number | Panel Height | | Use With Frame Part Number |
|------------------------------|--------------|-------|------------------------------|
| | Inches | Units | |
| C3DS1963HCG1 | 63 | 36 | C3F196323CG1 or C3F196331CG1 |
| C3DS1970HCG1 | 70 | 40 | C3F197023CG1 or C3F197031CG1 |
| C3DS1978HCG1 | 78 | 45 | C3F197823CG1 or C3F197831CG1 |

For 24” Rack Mount Frames

| Part Number | Panel Height | | Use With Frame Part Number |
|------------------------------|--------------|-------|------------------------------|
| | Inches | Units | |
| C3DS2463HCG1 | 63 | 36 | C3F246323CG1 or C3F246331CG1 |
| C3DS2470HCG1 | 70 | 40 | C3F247023CG1 or C3F247031CG1 |
| C3DS2478HCG1 | 78 | 45 | C3F247823CG1 or C3F247831CG1 |

PLEXI - GLASS DOOR

- Surface mount
- UL/CSA listed polycarbonate window
- Heavy Duty 14 gauge steel frame construction
- Slimline handle design allows maximum window viewing area & provides a solid NEMA 12 seal
- Quick release hinge design allows for easy removal
- Can be used on front or rear of frame
- Allows full access to space between panel rails when open
- Frame matches “C3” type rack frame in the same rugged beige textured powder paint finish

For 19” Rack Mount Frames

| Part Number | Panel Height | | Use With Frame Part Number |
|------------------------------|--------------|-------|------------------------------|
| | Inches | Units | |
| C3DS1963PCG1 | 63 | 36 | C3F196323CG1 or C3F196331CG1 |
| C3DS1970PCG1 | 70 | 40 | C3F197023CG1 or C3F197031CG1 |
| C3DS1978PCG1 | 78 | 45 | C3F197823CG1 or C3F197831CG1 |

For 24” Rack Mount Frames

| Part Number | Panel Height | | Use With Frame Part Number |
|------------------------------|--------------|-------|------------------------------|
| | Inches | Units | |
| C3DS2463PCG1 | 63 | 36 | C3F246323CG1 or C3F246331CG1 |
| C3DS2470PCG1 | 70 | 40 | C3F247023CG1 or C3F247031CG1 |
| C3DS2478PCG1 | 78 | 45 | C3F247823CG1 or C3F247831CG1 |

NEMA 12

Welded



Doors - NEMA 12 (C3 Series)

QUARTER TURN - LATCHING SOLID DOOR

- Surface mount
- Heavy Duty 14 gauge steel construction
- 3 quarter turn latches provide solid NEMA 12 seal
- Latches are close to door edge allowing for maximum door mounting area
- Quick release hinge design allows for easy removal
- Can be used on front or rear of frame
- Allows full access to space between panel rails when open
- Finish matches "C3" type rack frame in the same rugged beige textured powder paint



For 19" Rack Mount Frames

| Part Number | Panel Height | | Use With Frame Part Number |
|------------------------------|--------------|-------|------------------------------|
| | Inches | Units | |
| C3DS1963QCG1 | 63 | 36 | C3F196323CG1 or C3F196331CG1 |
| C3DS1970QCG1 | 70 | 40 | C3F197023CG1 or C3F197031CG1 |
| C3DS1978QCG1 | 78 | 45 | C3F197823CG1 or C3F197831CG1 |

For 24" Rack Mount Frames

| Part Number | Panel Height | | Use With Frame Part Number |
|------------------------------|--------------|-------|------------------------------|
| | Inches | Units | |
| C3DS2463QCG1 | 63 | 36 | C3F246323CG1 or C3F246331CG1 |
| C3DS2470QCG1 | 70 | 40 | C3F247023CG1 or C3F247031CG1 |
| C3DS2478QCG1 | 78 | 45 | C3F247823CG1 or C3F247831CG1 |

SOLID SURFACE COVER

- Surface mount
- 16 gauge steel construction
- Screws to frame to provide a solid NEMA 12 seal
- Normally used to cover & seal the rear of the rack
- Finish matches "C3" type rack frame in the same rugged beige textured powder paint



NEMA 12

Welded

For 19" Rack Mount Frames

| Part Number | Panel Height | | Use With Frame Part Number |
|------------------------------|--------------|-------|------------------------------|
| | Inches | Units | |
| C3CS1963SCG1 | 63 | 36 | C3F196323CG1 or C3F196331CG1 |
| C3CS1970SCG1 | 70 | 40 | C3F197023CG1 or C3F197031CG1 |
| C3CS1978SCG1 | 78 | 45 | C3F197823CG1 or C3F197831CG1 |

For 24" Rack Mount Frames

| Part Number | Panel Height | | Use With Frame Part Number |
|------------------------------|--------------|-------|------------------------------|
| | Inches | Units | |
| C3CS2463SCG1 | 63 | 36 | C3F246323CG1 or C3F246331CG1 |
| C3CS2470SCG1 | 70 | 40 | C3F247023CG1 or C3F247031CG1 |
| C3CS2478SCG1 | 78 | 45 | C3F247823CG1 or C3F247831CG1 |

EUROPE

Basingstoke, UK 01256 812812

AUSTRALIA

Queenstown SA, Australia 61-8-8240-2244



CANADA

Guelph, Ontario (519) 822-2960
St. Laurent, Quebec (514) 343-9010

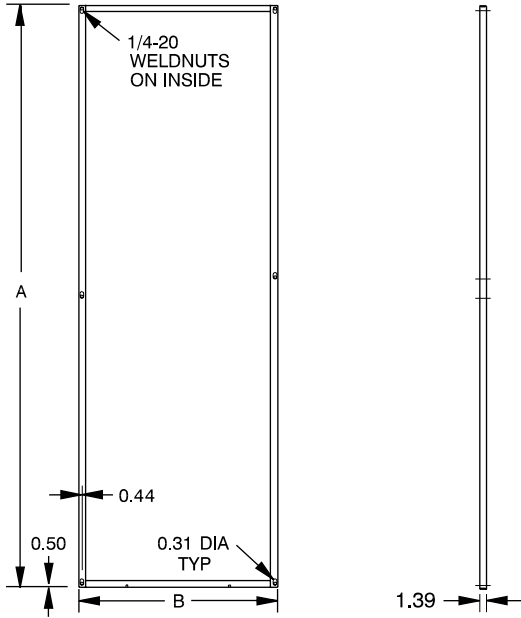
USA

Cheektowaga, NY (716) 630-7030



Exclusive Accessories For NEMA 12 (C3 Series)

RACK JOINING KIT



- Easily installed joining kit provides alignment and strength for modular multi-bay installations
- Finish matches “C3” type rack frame in the same rugged beige textured powder paint
- When installed properly, this kit maintains UL/CSA NEMA 12 listing

For 23.63” Deep Frame

| Part Number | Panel Height | | Use With Frame Part Number |
|--------------------------|--------------|-------|------------------------------|
| | Inches | Units | |
| C3JK6323 | 63 | 36 | C3F196323CG1 or C3F246323CG1 |
| C3JK7023 | 70 | 40 | C3F197023CG1 or C3F247023CG1 |
| C3JK7823 | 78 | 45 | C3F197823CG1 or C3F247823CG1 |

For 31.5” Deep Frame

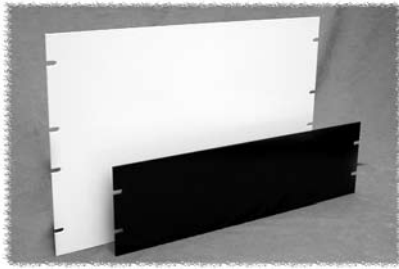
| Part Number | Panel Height | | Use With Frame Part Number |
|--------------------------|--------------|-------|------------------------------|
| | Inches | Units | |
| C3JK6331 | 63 | 36 | C3F196331CG1 or C3F246331CG1 |
| C3JK7031 | 70 | 40 | C3F197031CG1 or C3F247031CG1 |
| C3JK7831 | 78 | 45 | C3F197831CG1 or C3F247831CG1 |

DON'T FORGET TO CHECK OUT OUR UNIVERSAL ACCESSORY SECTION - NEXT PAGE



Accessories

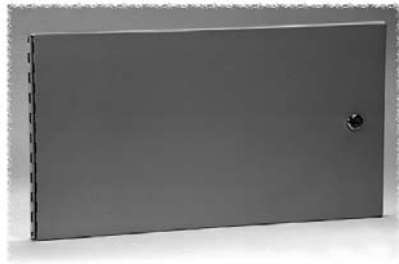




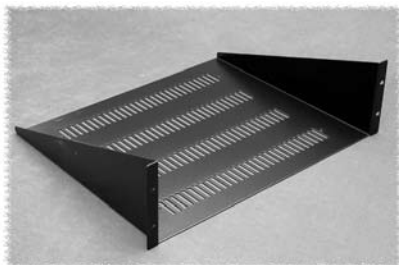
Panels & Adaptors
Page 90



Ventilated Panels
Page 92



Doors & Chassis - Panel Mount
Page 94



Shelves & Slides
Page 95



Keyboard Shelves
Page 100



Drawers
Page 101

Cable Management
Page 102



Cooling
Page 105



Rack Mount - Outlet Strips
Page 110



Handles
Page 123



Hardware
Page 127



Miscellaneous
Page 129



Accessories

EUROPE

Basingstoke, UK 01256 812812

AUSTRALIA

Queenstown SA, Australia 61-8-8240-2244



CANADA

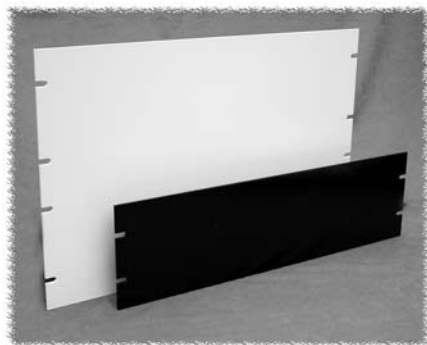
Guelph, Ontario (519) 822-2960
St. Laurent, Quebec (514) 343-9010

USA

Cheektowaga, NY (716) 630-7030



Panels



- Standard, flat 19" rack panels
- Choice of either aluminum (lightweight & easy to machine) or steel (stronger & less expensive)
- Painted versions finished in a tough smooth powder paint finish
- Smooth paint finish for easy labelling
- Unfinished aluminum version is white paper covered on one side to protect finish - also used as a surface for a machining template
- Requires mounting hardware

ALUMINUM RACK PANELS (0.125" Thick)

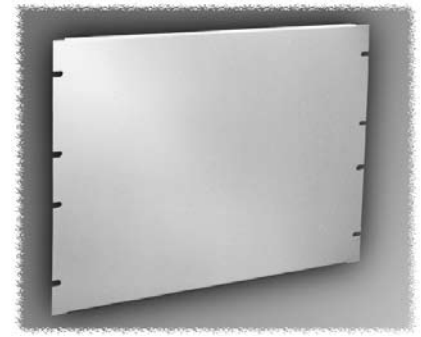
| Part Number | | | | Panel Height | | No. of Slots |
|--------------|--------------|-------------------|--------------|--------------|-------|--------------|
| Black Smooth | Beige Smooth | ASA61 Grey Smooth | Unfinished | Inches | Units | |
| PBPA19001BK2 | PBPA19001CG2 | PBPA19001GY2 | PBPA19001UNF | 1.75 | 1 | 4 |
| PBPA19003BK2 | PBPA19003CG2 | PBPA19003GY2 | PBPA19003UNF | 3.50 | 2 | 4 |
| PBPA19005BK2 | PBPA19005CG2 | PBPA19005GY2 | PBPA19005UNF | 5.25 | 3 | 4 |
| PBPA19007BK2 | PBPA19007CG2 | PBPA19007GY2 | PBPA19007UNF | 7.00 | 4 | 4 |
| PBPA19008BK2 | PBPA19008CG2 | PBPA19008GY2 | PBPA19008UNF | 8.75 | 5 | 4 |
| PBPA19010BK2 | PBPA19010CG2 | PBPA19010GY2 | PBPA19010UNF | 10.50 | 6 | 8 |
| PBPA19012BK2 | PBPA19012CG2 | PBPA19012GY2 | PBPA19012UNF | 12.25 | 7 | 8 |
| PBPA19014BK2 | PBPA19014CG2 | PBPA19014GY2 | PBPA19014UNF | 14.00 | 8 | 8 |
| PBPA19015BK2 | PBPA19015CG2 | PBPA19015GY2 | PBPA19015UNF | 15.75 | 9 | 8 |
| PBPA19017BK2 | PBPA19017CG2 | PBPA19017GY2 | PBPA19017UNF | 17.50 | 10 | 8 |
| PBPA19019BK2 | PBPA19019CG2 | PBPA19019GY2 | PBPA19019UNF | 19.25 | 11 | 8 |
| PBPA19021BK2 | PBPA19021CG2 | PBPA19021GY2 | PBPA19021UNF | 21.00 | 12 | 8 |
| PBPA19022BK2 | PBPA19022CG2 | PBPA19022GY2 | PBPA19022UNF | 22.75 | 13 | 8 |
| PBPA19024BK2 | PBPA19024CG2 | PBPA19024GY2 | PBPA19024UNF | 24.50 | 14 | 10 |
| PBPA19026BK2 | PBPA19026CG2 | PBPA19026GY2 | PBPA19026UNF | 26.25 | 15 | 10 |
| PBPA19028BK2 | PBPA19028CG2 | PBPA19028GY2 | PBPA19028UNF | 28.00 | 16 | 12 |
| PBPA19029BK2 | PBPA19029CG2 | PBPA19029GY2 | PBPA19029UNF | 29.75 | 17 | 12 |
| PBPA19031BK2 | PBPA19031CG2 | PBPA19031GY2 | PBPA19031UNF | 31.50 | 18 | 12 |

STEEL RACK PANELS (14 Gauge, 0.075" Thick)

| Part Number | | | Panel Height | | No. of Slots |
|--------------|--------------|-------------------|--------------|-------|--------------|
| Black Smooth | Beige Smooth | ASA61 Grey Smooth | Inches | Units | |
| PBPS19001BK2 | PBPS19001CG2 | PBPS19001GY2 | 1.75 | 1 | 4 |
| PBPS19003BK2 | PBPS19003CG2 | PBPS19003GY2 | 3.50 | 2 | 4 |
| PBPS19005BK2 | PBPS19005CG2 | PBPS19005GY2 | 5.25 | 3 | 4 |
| PBPS19007BK2 | PBPS19007CG2 | PBPS19007GY2 | 7.00 | 4 | 4 |
| PBPS19008BK2 | PBPS19008CG2 | PBPS19008GY2 | 8.75 | 5 | 4 |
| PBPS19010BK2 | PBPS19010CG2 | PBPS19010GY2 | 10.50 | 6 | 8 |
| PBPS19012BK2 | PBPS19012CG2 | PBPS19012GY2 | 12.25 | 7 | 8 |
| PBPS19014BK2 | PBPS19014CG2 | PBPS19014GY2 | 14.00 | 8 | 8 |
| PBPS19015BK2 | PBPS19015CG2 | PBPS19015GY2 | 15.75 | 9 | 8 |
| PBPS19017BK2 | PBPS19017CG2 | PBPS19017GY2 | 17.50 | 10 | 8 |
| PBPS19019BK2 | PBPS19019CG2 | PBPS19019GY2 | 19.25 | 11 | 8 |
| PBPS19021BK2 | PBPS19021CG2 | PBPS19021GY2 | 21.00 | 12 | 8 |
| PBPS19022BK2 | PBPS19022CG2 | PBPS19022GY2 | 22.75 | 13 | 8 |
| PBPS19024BK2 | PBPS19024CG2 | PBPS19024GY2 | 24.50 | 14 | 10 |
| PBPS19026BK2 | PBPS19026CG2 | PBPS19026GY2 | 26.25 | 15 | 10 |
| PBPS19028BK2 | PBPS19028CG2 | PBPS19028GY2 | 28.00 | 16 | 12 |
| PBPS19029BK2 | PBPS19029CG2 | PBPS19029GY2 | 29.75 | 17 | 12 |
| PBPS19031BK2 | PBPS19031CG2 | PBPS19031GY2 | 31.50 | 18 | 12 |



- Standard, 19" rack panels
- Lighter and stronger than flat steel panels due to top & bottom fold combined with thinner gauge steel
- Top and bottom fold of 0.50" for added strength
- Tough smooth powder paint finish
- Smooth paint finish for easy labelling
- Requires mounting hardware

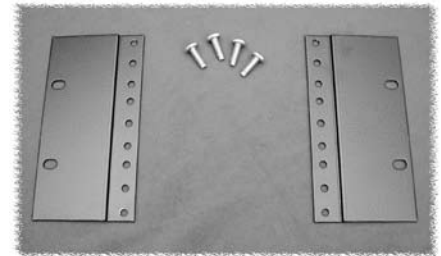


FOLDED STEEL RACK PANELS (16 Gauge, 0.060" Thick)

| Part Number | | | Panel Height | | No. of Slots |
|--------------|--------------|-------------------|--------------|-------|--------------|
| Black Smooth | Beige Smooth | ASA61 Grey Smooth | Inches | Units | |
| PBFS19001BK2 | PBFS19001CG2 | PBFS19001GY2 | 1.75 | 1 | 4 |
| PBFS19003BK2 | PBFS19003CG2 | PBFS19003GY2 | 3.50 | 2 | 4 |
| PBFS19005BK2 | PBFS19005CG2 | PBFS19005GY2 | 5.25 | 3 | 4 |
| PBFS19007BK2 | PBFS19007CG2 | PBFS19007GY2 | 7.00 | 4 | 4 |
| PBFS19008BK2 | PBFS19008CG2 | PBFS19008GY2 | 8.75 | 5 | 4 |
| PBFS19010BK2 | PBFS19010CG2 | PBFS19010GY2 | 10.50 | 6 | 8 |
| PBFS19012BK2 | PBFS19012CG2 | PBFS19012GY2 | 12.25 | 7 | 8 |
| PBFS19014BK2 | PBFS19014CG2 | PBFS19014GY2 | 14.00 | 8 | 8 |
| PBFS19015BK2 | PBFS19015CG2 | PBFS19015GY2 | 15.75 | 9 | 8 |
| PBFS19017BK2 | PBFS19017CG2 | PBFS19017GY2 | 17.50 | 10 | 8 |
| PBFS19019BK2 | PBFS19019CG2 | PBFS19019GY2 | 19.25 | 11 | 8 |
| PBFS19021BK2 | PBFS19021CG2 | PBFS19021GY2 | 21.00 | 12 | 8 |
| PBFS19022BK2 | PBFS19022CG2 | PBFS19022GY2 | 22.75 | 13 | 8 |
| PBFS19024BK2 | PBFS19024CG2 | PBFS19024GY2 | 24.50 | 14 | 10 |
| PBFS19026BK2 | PBFS19026CG2 | PBFS19026GY2 | 26.25 | 15 | 10 |
| PBFS19028BK2 | PBFS19028CG2 | PBFS19028GY2 | 28.00 | 16 | 12 |
| PBFS19029BK2 | PBFS19029CG2 | PBFS19029GY2 | 29.75 | 17 | 12 |
| PBFS19031BK2 | PBFS19031CG2 | PBFS19031GY2 | 31.50 | 18 | 12 |

PANEL WIDTH ADAPTORS

- "PA" series converts standard 19" rack panel equipment to 23" rack mount
- "PBAS" series converts standard 19" rack panel equipment to 24" rack mount
- Sold in pairs
- Finished in rugged powder paint
- Standard EIA punched
- Requires mounting hardware



Converts 19" Equipment To 23" Rack Mount

| Part Number | Panel Height | |
|--------------|--------------|-------|
| | Inches | Units |
| PA2319001BK1 | 1.75 | 1 |
| PA2319003BK1 | 3.50 | 2 |
| PA2319005BK1 | 5.25 | 3 |

Converts 19" Equipment To 24" Rack Mount

| Part Number | | Panel Height | |
|--------------|--------------|--------------|-------|
| Black Smooth | Beige Smooth | Inches | Units |
| PBAS19001BK2 | PBAS19001CG2 | 1.75 | 1 |
| PBAS19003BK2 | PBAS19003CG2 | 3.50 | 2 |
| PBAS19005BK2 | PBAS19005CG2 | 5.25 | 3 |
| PBAS19007BK2 | PBAS19007CG2 | 7.00 | 4 |
| PBAS19008BK2 | PBAS19008CG2 | 8.75 | 5 |
| PBAS19010BK2 | PBAS19010CG2 | 10.50 | 6 |
| PBAS19012BK2 | PBAS19012CG2 | 12.25 | 7 |
| PBAS19014BK2 | PBAS19014CG2 | 14.00 | 8 |

EUROPE

Basingstoke, UK 01256 812812

AUSTRALIA

Queenstown SA, Australia 61-8-8240-2244



CANADA

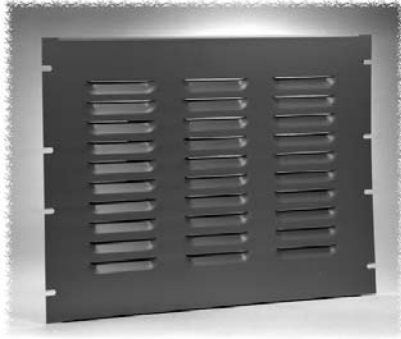
Guelph, Ontario (519) 822-2960
St. Laurent, Quebec (514) 343-9010

USA

Cheektowaga, NY (716) 630-7030



Ventilated Panels

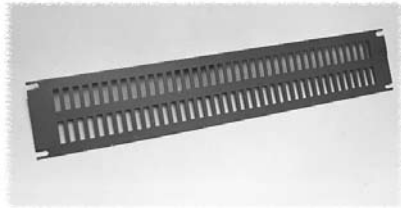


LOUVERED PANELS

- Standard, 19" rack mount
- Formed 16 gauge steel construction
- Includes a 0.50" fold, top and bottom for added strength
- Designed with 3 columns of 4" wide louvers
- Smooth powder paint finish to match our standard panels
- Louvers face out
- Requires mounting hardware

| Part Number | | Panel Height | | Rows of Louvers |
|------------------------------|------------------------------|--------------|-------|-----------------|
| Black Smooth | Beige Smooth | Inches | Units | |
| PVLL19005BK2 | PVLL19005CG2 | 5.25 | 3 | 3 |
| PVLL19007BK2 | PVLL19007CG2 | 7.00 | 4 | 4 |
| PVLL19008BK2 | PVLL19008CG2 | 8.75 | 5 | 6 |
| PVLL19010BK2 | PVLL19010CG2 | 10.50 | 6 | 8 |
| PVLL19012BK2 | PVLL19012CG2 | 12.25 | 7 | 10 |

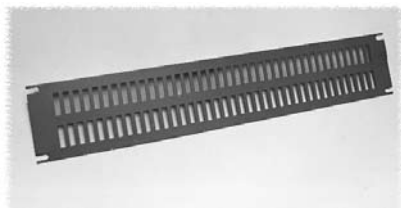
SLOTTED STEEL PANELS



- Standard, 19" rack mount
- 14 gauge steel construction
- Slots are 0.25" x 1.0"
- Smooth powder paint finish to match our standard panels
- Requires mounting hardware

| Part Number | | Panel Height | | Rows of Slots | Open Space (Cubic In.) |
|------------------------------|------------------------------|--------------|-------|---------------|------------------------|
| Black Smooth | Beige Smooth | Inches | Units | | |
| PVSS19001BK2 | PVSS19001CG2 | 1.75 | 1 | 1 | 9.7 |
| PVSS19003BK2 | PVSS19003CG2 | 3.50 | 2 | 2 | 19.4 |

SLOTTED ALUMINUM PANELS



- Standard, 19" rack mount
- 0.13" thick aluminum construction
- Slots are 0.25" x 1.0"
- Smooth powder paint finish to match our standard panels
- Requires mounting hardware

| Part Number | | Panel Height | | Rows of Slots | Open Space (Cubic In.) |
|------------------------------|------------------------------|--------------|-------|---------------|------------------------|
| Black Smooth | Beige Smooth | Inches | Units | | |
| PVSA19001BK2 | PVSA19001CG2 | 1.75 | 1 | 1 | 9.7 |
| PVSA19003BK2 | PVSA19003CG2 | 3.50 | 2 | 2 | 19.4 |

PERFORATED STEEL PANELS



- Standard, 19" rack mount
- Folded (for extra strength) - 16 gauge steel construction
- Smooth powder paint finish to match our standard panels
- Requires mounting hardware

| Part Number | | Panel Height | |
|------------------------------|------------------------------|--------------|-------|
| Black Smooth | Beige Smooth | Inches | Units |
| PPFS19001BK2 | PPFS19001CG2 | 1.75 | 1 |
| PPFS19003BK2 | PPFS19003CG2 | 3.50 | 2 |
| PPFS19005BK2 | PPFS19005CG2 | 5.25 | 3 |
| PPFS19007BK2 | PPFS19007CG2 | 7.00 | 4 |
| PPFS19008BK2 | PPFS19008CG2 | 8.75 | 5 |
| PPFS19010BK2 | PPFS19010CG2 | 10.50 | 6 |



BAFFLE PANEL

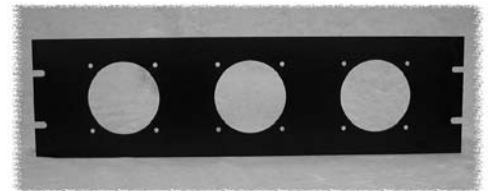
- Standard, 19" rack mount
- Rear sloping baffle for directing air flow
- 16 gauge steel construction
- Shown here, upside down to show construction
- Extends apx. 14" behind panel rails
- Smooth black powder paint finish to match our standard panels
- Requires mounting hardware



| Part Number | Panel Height | |
|--------------|--------------|-------|
| | Inches | Units |
| PVBB19001BK2 | 1.75 | 1 |

FAN PANELS

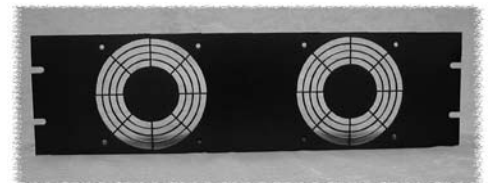
- Standard, 19" rack mount
- Create your own 19" rack mount fan or filter fan panels
- Accepts standard square fans (see our cooling accessory section or use your own)
- For a filter fan panel use our filter fan grills (see our cooling accessory section)
- Perfect as an intake fan panel (when using "push-pull" cooling use the fan grill panel below for exhaust)
- Rugged textured black powder paint
- Requires mounting hardware
- Control your rack temperature with our economical, compact thermostat (see our cooling accessory section)



| Part Number | Number of Fan Holes | Accepts Fan Size | Panel Height | |
|---------------|---------------------|------------------|--------------|-------|
| | | | Inches | Units |
| PPFP190802BK1 | 2 | 3.15" | 5.25 | 3 |
| PPFP190803BK1 | 3 | 3.15" | 5.25 | 3 |
| PPFP191202BK1 | 2 | 4.7" | 7.00 | 4 |

FAN GRILL PANELS

- Standard, 19" rack mount
- Create your own 19" rack mount fan panels
- Accepts standard square fans 4.7" (120 mm) see our cooling accessory section or use your own)
- Perfect for an exhaust fan panel (when using "push-pull" cooling use the fan panel above with filter grills for intake)
- Rugged textured black powder paint
- Requires mounting hardware
- Control your rack temperature with our economical, compact thermostat (see our cooling accessory section)



| Part Number | Number of Fan Holes | Accepts Fan Size | Panel Height | |
|---------------|---------------------|------------------|--------------|-------|
| | | | Inches | Units |
| PPGP191202BK1 | 2 | 4.7" | 5.25 | 3 |

EUROPE

Basingstoke, UK 01256 812812

AUSTRALIA

Queenstown SA, Australia 61-8-8240-2244



CANADA

Guelph, Ontario (519) 822-2960
St. Laurent, Quebec (514) 343-9010

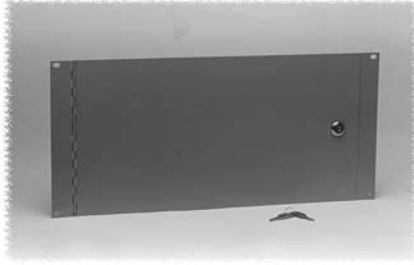
USA

Cheektowaga, NY (716) 630-7030



Doors & Chassis - Panel Mount

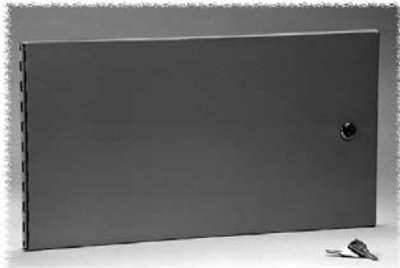
HINGED FLAT DOOR PANELS



- Standard, 19" rack mount
- 14 gauge steel construction
- Door opening is 16.2" wide
- Includes lock, hasp & 2 keys
- Smooth powder paint finish to match our standard panels
- Requires mounting hardware

| Part Number | | Panel Height | |
|------------------------------|------------------------------|--------------|-------|
| Black Smooth | Beige Smooth | Inches | Units |
| PHPF19005BK2 | PHPF19005CG2 | 5.25 | 3 |
| PHPF19008BK2 | PHPF19008CG2 | 8.75 | 5 |
| PHPF19012BK2 | PHPF19012CG2 | 12.25 | 7 |

HINGED PANEL RAIL DOOR



- Standard, 19" rack mount
- Formed 14 gauge steel construction, folded on all four sides
- Hinges bolt directly to panel rail (door depth of 0.63")
- When door is open, space between panel rails is completely accessible
- Includes lock, hasp & 2 keys
- Smooth powder paint finish to match our standard panels
- Requires mounting hardware

| Part Number | | Panel Height | |
|------------------------------|------------------------------|--------------|-------|
| Black Smooth | Beige Smooth | Inches | Units |
| RSDP19010BK2 | RSDP19010CG2 | 10.50 | 6 |
| RSDP19012BK2 | RSDP19012CG2 | 12.25 | 7 |
| RSDP19014BK2 | RSDP19014CG2 | 14.00 | 8 |
| RSDP19017BK2 | RSDP19017CG2 | 17.50 | 10 |
| RSDP19022BK2 | RSDP19022CG2 | 22.75 | 13 |
| RSDP19028BK2 | RSDP19028CG2 | 28.00 | 16 |

STEEL CHASSIS WITH PANEL



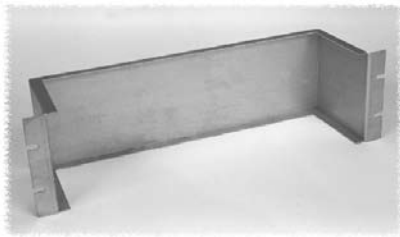
- Standard, 19" rack mount
- Formed 16 gauge steel construction
- Chassis measures 17" wide x 3" deep
- Panel (included) mounts over chassis
- Smooth powder paint finish to match our standard panels
- Requires mounting hardware

| Part Number | | Panel Height | | Chassis Height (In.) |
|---------------------------|---------------------------|--------------|-------|----------------------|
| Beige Textured | Grey Smooth | Inches | Units | |
| 5-350DCG1 | 5-350DGY2 | 3.50 | 2 | 3.1 |
| 5-525DCG1 | 5-525DGY2 | 5.25 | 3 | 4.9 |

ALUMINUM CHASSIS

- Standard, 19" rack mount
- 0.06" thick aluminum construction
- Chassis measures 17" wide x 5.25" deep
- Natural finish aluminum
- Requires mounting hardware

| Part Number | Panel Height | |
|------------------------|--------------|-------|
| | Inches | Units |
| 7-350D | 3.50 | 2 |
| 7-525D | 5.25 | 3 |



RAIL MOUNT - DUAL MODEM SHELVES

- Standard 19" rack mount - overall 19.5" deep, uses 3.5" (2U) of panel space
- Dual modem shelf permits front and rear access to modems on open relay racks
- 16 gauge steel construction, weight load tested to 200 pounds
- The vented version provides a sturdy shelf without obstructing upward heat movement
- Rugged powder paint finish
- Requires mounting hardware

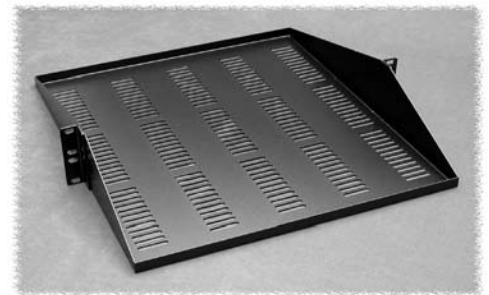
Unvented

| Part Number | | Panel Width |
|----------------------------|----------------------------|-------------|
| Black Textured | Grey Smooth | |
| DNDMS19BK1 | DNDMS19GY2 | 19" |
| DNDMS23BK1 | - | 23" |



Vented

| Part Number | | Panel Width |
|----------------------------|----------------------------|-------------|
| Black Textured | Grey Smooth | |
| DNDMV19BK1 | DNDMV19GY2 | 19" |



RAIL MOUNT SHELVES

- Standard 19" rack mount - rail mount
- 17.25" wide and uses 5.25" (3U) of panel space, choice of two depths, either 15" or 20"
- Rear lip folded up for extra strength & acts as a rear equipment retainer
- 14 gauge steel construction, weight load tested to 200 pounds (unvented), 200 pounds (vented)
- Mounts to front rail either as an internal shelf or external shelf/work area
- The vented version provides a sturdy shelf without obstructing upward heat movement
- Rugged powder paint finish
- Requires mounting hardware

Unvented

| Part Number | | | Panel Width | Shelf Depth |
|-------------------------------|-------------------------------|-------------------------------|-------------|-------------|
| Black Textured | Beige Textured | Grey Smooth | | |
| RASU190515BK1 | RASU190515CG1 | RASU190515GY2 | 19" | 15" |
| RASU190520BK1 | RASU190520CG1 | - | 19" | 20" |
| RASU230515BK1 | - | - | 23" | 15" |
| RASU230520BK1 | - | - | 23" | 20" |



Vented

| Part Number | | | Panel Width | Shelf Depth |
|-------------------------------|-------------------------------|-------------------------------|-------------|-------------|
| Black Textured | Beige Textured | Grey Smooth | | |
| RASV190515BK1 | RASV190515CG1 | RASV190515GY2 | 19" | 15" |
| RASV190520BK1 | RASV190520CG1 | - | 19" | 20" |
| RASV230515BK1 | - | - | 23" | 15" |
| RASV230520BK1 | - | - | 23" | 20" |



Accessories

EUROPE

Basingstoke, UK 01256 812812

AUSTRALIA

Queenstown SA, Australia 61-8-8240-2244



CANADA

Guelph, Ontario (519) 822-2960
St. Laurent, Quebec (514) 343-9010

USA

Cheektowaga, NY (716) 630-7030



Shelves & Slides - Panel Mount

RAIL MOUNT KEYBOARD/MONITOR SHELF

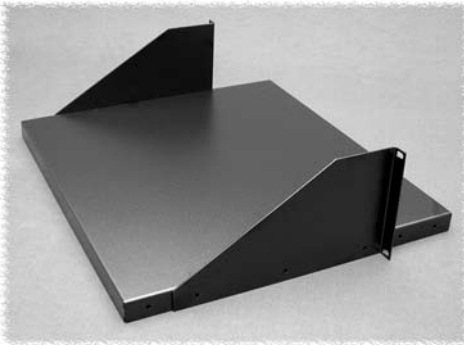


- Standard 19" rack mount
- Mounts to panel rails using 5.25" (3U) of vertical panel space
- Extends 15" back from front panel
- Slanted keyboard section is 8.5"
- Rear lip to reduce chance of monitor being pushed off rear of shelf
- Available in either 19" or 23" rack panel width
- 14 Ga. steel construction
- Weight load tested to 160 pounds
- Finished in rugged black textured powder paint
- Requires mounting hardware



| Part Number | Panel Width |
|---------------------------|-------------|
| RKBM19BK1 | 19" |
| RKBM23BK1 | 23" |

ADJUSTABLE SHELF



- Standard 19" rack mount
- Mounts to panel rails using 5.25" (3U) of vertical panel space
- Separate, reversible side brackets for maximum flexibility (allows shelf to extend inside or outside the rack)
- 4 different depth settings (depending on location of side brackets)
- 14 Ga. steel construction, finished in rugged black textured powder paint
- Requires mounting hardware

| Part Number | Panel Width | Shelf Depth |
|------------------------------|-------------|-------------|
| DNRMA1916BK1 | 19" | 16" |
| DNRMA1920BK1 | 19" | 20" |
| DNRMA2316BK1 | 23" | 16" |
| DNRMA2320BK1 | 23" | 20" |

RAIL MOUNT EQUIPMENT SHELF



- Standard 19" rack mount
- A closed shelf with 1.5" dia. holes in each bottom corner for cord access
- Fabricated from 18 gauge steel
- Inside dimensions 17.2" wide x 15" deep
- Weight load tested to 75 pounds
- Opening height is only 1" less than panel height
- Finished in white (to aid visibility), powder paint
- Requires mounting hardware

| Part Number | Panel Height |
|--------------------------------|--------------|
| White Smooth | |
| RASE1900815WH2 | 8.75" |
| RASE1901015WH2 | 10.50" |
| RASE1901215WH2 | 12.25" |

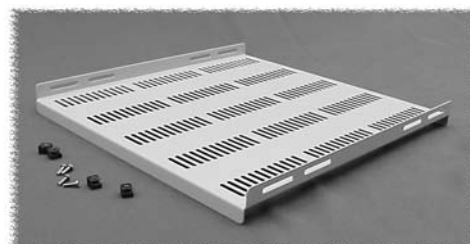
Shelves - Dual Pair Rail Mount

FIXED SHELVES

- Heavy duty, 14 Ga. steel construction, folded edges on all four sides for extra strength
- The vented version provides a sturdy shelf without obstructing upward heat movement
- Weight load tested to 350 pounds
- Sides folded up for easy hardware installation from above the shelf
- Sides are slotted for easy adjustment with most rail depth locations
- Rugged textured powder paint finish
- If used with our square hole rails you will need to order P/N **CPRSA** rail adaptor for each shelf ordered
- **MOUNTS ON TWO PAIR OF MOUNTING RAILS (FRONT & BACK)**

| Part Number | | Shelf Type | Shelf Depth |
|-----------------------------|-----------------------------|------------|-------------|
| Black Textured | Beige Textured | | |
| 19" Width | | | |
| RFVS1918BK1 | RFVS1918CG1 | Vented | 18" |
| RFVS1921BK1 | RFVS1921CG1 | Vented | 21" |
| RFVS1926BK1 | RFVS1926CG1 | Vented | 26" |
| RFVS1931BK1 | RFVS1931CG1 | Vented | 31" |
| RFUS1918BK1 | RFUS1918CG1 | Unvented | 18" |
| RFUS1921BK1 | RFUS1921CG1 | Unvented | 21" |
| RFUS1926BK1 | RFUS1926CG1 | Unvented | 26" |
| RFUS1931BK1 | RFUS1931CG1 | Unvented | 31" |
| 24" Width | | | |
| RFVS2418BK1 | RFVS2418CG1 | Vented | 18" |
| RFVS2421BK1 | RFVS2421CG1 | Vented | 21" |
| RFVS2426BK1 | RFVS2426CG1 | Vented | 26" |
| RFVS2431BK1 | RFVS2431CG1 | Vented | 31" |
| RFUS2418BK1 | RFUS2418CG1 | Unvented | 18" |
| RFUS2421BK1 | RFUS2421CG1 | Unvented | 21" |
| RFUS2426BK1 | RFUS2426CG1 | Unvented | 26" |
| RFUS2431BK1 | RFUS2431CG1 | Unvented | 31" |

Vented



Unvented



SLIDING SHELVES

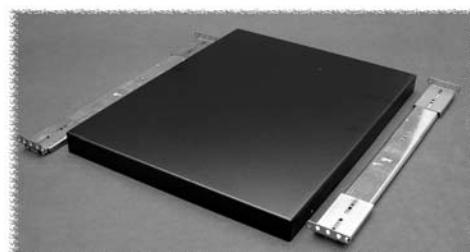
- Heavy duty, 14 Ga. steel construction, folded edges on all four sides for extra strength
- The vented version provides a sturdy shelf without obstructing upward heat movement
- Weight load tested to 120 pounds
- Slides are slotted for easy adjustment with most rail depth locations
- Rugged textured powder paint finish

| Part Number | | Shelf Type | Shelf Depth |
|-----------------------------|-----------------------------|------------|-------------|
| Black Textured | Beige Textured | | |
| 19" Width | | | |
| RSVS1918BK1 | RSVS1918CG1 | Vented | 18" |
| RSVS1921BK1 | RSVS1921CG1 | Vented | 21" |
| RSVS1926BK1 | RSVS1926CG1 | Vented | 26" |
| RSVS1931BK1 | RSVS1931CG1 | Vented | 31" |
| RSUS1918BK1 | RSUS1918CG1 | Unvented | 18" |
| RSUS1921BK1 | RSUS1921CG1 | Unvented | 21" |
| RSUS1926BK1 | RSUS1926CG1 | Unvented | 26" |
| RSUS1931BK1 | RSUS1931CG1 | Unvented | 31" |
| 24" Width | | | |
| RSVS2418BK1 | RSVS2418CG1 | Vented | 18" |
| RSVS2421BK1 | RSVS2421CG1 | Vented | 21" |
| RSVS2426BK1 | RSVS2426CG1 | Vented | 26" |
| RSVS2431BK1 | RSVS2431CG1 | Vented | 31" |
| RSUS2418BK1 | RSUS2418CG1 | Unvented | 18" |
| RSUS2421BK1 | RSUS2421CG1 | Unvented | 21" |
| RSUS2426BK1 | RSUS2426CG1 | Unvented | 26" |
| RSUS2431BK1 | RSUS2431CG1 | Unvented | 31" |

Vented



Unvented



Accessories

EUROPE

Basingstoke, UK 01256 812812

AUSTRALIA

Queenstown SA, Australia 61-8-8240-2244



CANADA

Guelph, Ontario (519) 822-2960
St. Laurent, Quebec (514) 343-9010

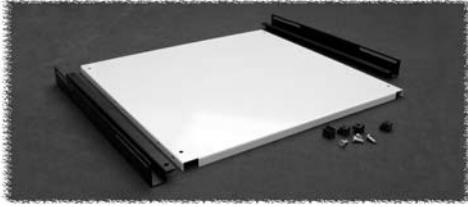
USA

Cheektowaga, NY (716) 630-7030



Shelves & Slides - Dual Pair Rail Mount

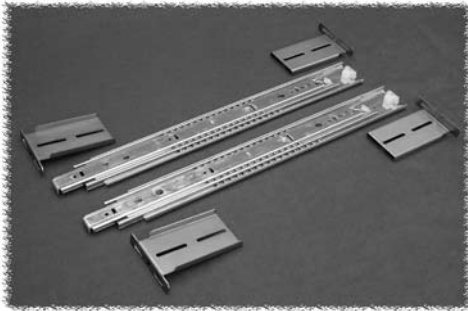
FIXED CHASSIS/SHELF



- Shelf can be used as a permanently mounted support shelf or as a pull out chassis
- Will also accept type "RSLIDE" equipment slides (see below) for pull out applications
- If used with our square hole rails you will need to order P/N **CPRSA** rail adaptor for each shelf ordered
- 18-gauge steel shelf and 14-gauge brackets
- Weight load tested to 85 pounds
- Shelf is 16.8" wide and 0.5" high
- Finished in white powder paint for high visibility
- **MOUNTS ON TWO PAIR OF MOUNTING RAILS (FRONT & BACK)**

| Part Number | Shelf Depth | Bracket Depth |
|-----------------------------|-------------|---------------|
| 19" Width | | |
| RASC1912WH2 | 11.9" | 13.2" |
| RASC1916WH2 | 15.9" | 14.9" |
| RASC1922WH2 | 21.9" | 20.9" |
| 24" Width | | |
| RASC2412WH2 | 11.9" | 13.2" |
| RASC2416WH2 | 15.9" | 14.9" |
| RASC2422WH2 | 21.9" | 20.9" |

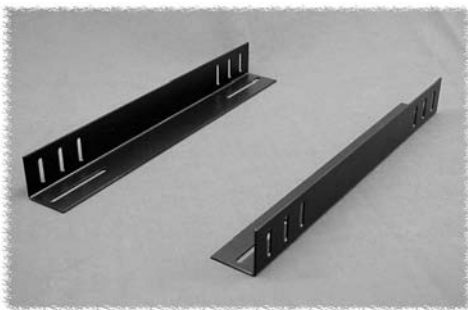
EQUIPMENT SLIDES



- **SOLD IN PAIRS**
- Slide travel equals length plus 1"
- Heavy duty - double rail, ball bearing type
- Requires mounting hardware
- **MOUNTS ON TWO PAIR OF MOUNTING RAILS (FRONT & BACK)**

| Part Number | Length | Capacity (Pair) |
|--------------------------|--------|-----------------|
| RSLIDE12 | 12" | 120# |
| RSLIDE16 | 16" | 130# |
| RSLIDE22 | 22" | 120# |

EQUIPMENT SIDE SUPPORT ANGLES

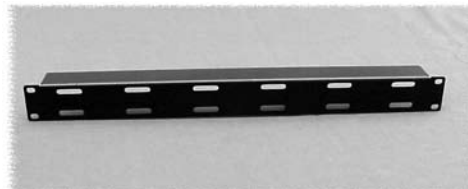


- **SOLD IN PAIRS**
- Angles mount along side of rack to both front & rear rack mounting rails
- Supplies side support for heavy equipment (relieving stress from the front panel) or as an aid in installation of deep equipment
- Slots allow up/down and front/back adjustments
- Made of 14 gauge steel, with dimensions of 1.75" x 1.75"
- Finished in rugged textured black powder paint
- Requires mounting hardware
- If used with our square hole rails you will need to order P/N **CPRSA** rail adaptor for each support pair ordered
- **MOUNTS ON TWO PAIR OF MOUNTING RAILS (FRONT & BACK)**

| Part Number | Length |
|---------------------------|--------|
| RASA12BK3 | 9.97" |
| RASA16BK3 | 14.95" |
| RASA22BK3 | 20.95" |
| RASA28BK3 | 28.00" |

REAR SUPPORT BAR

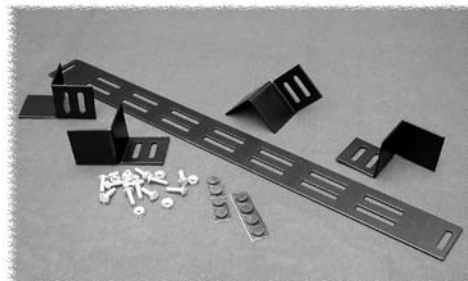
- Standard 19" rack mountable
- Heavy duty 14 gauge steel support mounts to rear rack rails
- Supports the rear of heavy or deep equipment (relieving stress from the front panel and/or as an aid for equipment mounting & removing)
- Folded top edge for extra deep edge & extra strength
- Uses only 1U (1.75") of panel space
- Includes slots for easy installation of cable ties or velcro belts for cable organizing
- Rugged textured black powder paint finish
- Requires panel mounting hardware



| Part Number | Length |
|---------------------------|--------|
| RASB19BK1 | 19" |

EQUIPMENT HOLD DOWN BRACKETS

- Standard 19" & 23" rack mountable
- Designed mainly for our relay racks but can be used on any rack
- Heavy duty 16 gauge steel bracket fastens between rails for support across equipment
- Perfect for stabilizing shelf mounted P.C. towers & monitors
- Uses only 1U (1.75") of panel space
- Includes slots for easy installation of cable ties or velcro belts for cable organizing in between brackets
- Includes four hold down brackets (enough for two side by side towers)
- Includes rubber bracket feet to keep from marking equipment
- Rugged textured black powder paint finish
- Includes mounting hardware



| Part Number | Panel Width |
|---------------------------|-------------|
| DNTB19BK1 | 19" |
| DNTB23BK1 | 23" |



SQUARE HOLE PANEL RAIL ADAPTOR

- Used in conjunction with square hole panel rails to allow use of dual rail mount accessories
- Use with our RASA, RASC, RFUS, RFVS series accessories
- Set of four
- Includes mounting hardware
- Rugged textured black powder paint finish

| Part Number | Adapts |
|-----------------------|---------|
| CPRSA | 1 Shelf |



EUROPE

Basingstoke, UK 01256 812812

AUSTRALIA

Queenstown SA, Australia 61-8-8240-2244



CANADA

Guelph, Ontario (519) 822-2960
St. Laurent, Quebec (514) 343-9010

USA

Cheektowaga, NY (716) 630-7030



Keyboard Shelves

RAIL MOUNT KEYBOARD/MONITOR SHELF



- Standard 19" rack mount
- Mounts to panel rails using 5.25" (3U) of vertical panel space
- Extends 15" back from front panel
- Slanted keyboard section is 8.5"
- Rear lip to reduce chance of monitor being pushed off rear of shelf
- Available in either 19" or 23" rack panel width
- 14 Ga. steel construction
- Weight load tested to 160 pounds
- Finished in rugged black textured powder paint
- Requires mounting hardware



| Part Number | Panel Width |
|---------------------------|-------------|
| RKBM19BK1 | 19" |
| RKBM23BK1 | 23" |

KEYBOARD DRAWER (DUAL RAIL MOUNT)



- Standard 19" or 24" rack mount
- Supplied as shown complete with two slides and mounting hardware
- Mounts to front & rear panel rails of racks
- Uses only 3.5" (2U) of panel space
- Weight load tested to 120 pounds
- Unique design maximizes available space between rails (17.77")
- Rugged textured black powder paint finish
- **MOUNTS ON TWO PAIR OF MOUNTING RAILS (FRONT & BACK)**

| Part Number | Panel Width | Shelf Depth |
|---------------------------|-------------|-------------|
| RAKS19BK1 | 19" | 15" |
| RAKS24BK1 | 24" | 15" |

SWIVEL KEYBOARD DRAWER (DUAL RAIL MOUNT)



- Standard 19" rack mount
- Supplied complete with two slides and mounting hardware (keyboard not included)
- Mounts to front & rear rack mount rails
- Uses only 5.25" (3U) of panel space
- Unique design allows the use of full size keyboards (not included) in a 19" rack
- Top tray of drawer swivels clockwise 90 degrees, once pulled outside the front of the rack.
- Rugged textured black powder paint finish
- **MOUNTS ON TWO PAIR OF MOUNTING RAILS (FRONT & BACK)**

| Part Number | Panel Width | Shelf Depth |
|------------------------------|-------------|-------------|
| RSKS19005BK1 | 19" | 15" |

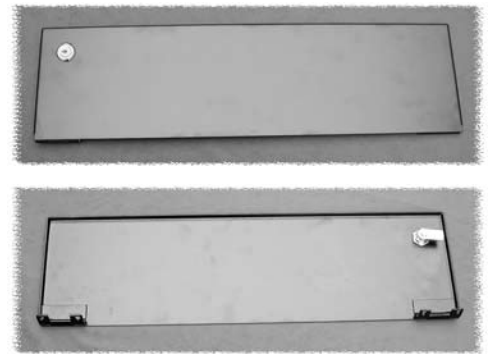


Keyboard Access Door & Drawers

KEYBOARD DRAWER ACCESS DOOR

- Standard 19" rack mount
- Restricts access to keyboard drawers
- Mounts to front panel rails in front of keyboard drawer (RAKS & RSKS series - see previous page)
- Includes all mounting hardware and 2 keys
- Uses only 5.25" (3U) of panel space
- Rugged textured black powder paint finish

| Part Number | Panel Width |
|-------------------------------|-------------|
| RSKS19DOORBK1 | 19" |



RAIL MOUNT STORAGE DRAWERS

- Standard 19" rack mount, available in 3 depths
- Plastic front pull handle
- Complete drawer with slides, hardware, lock & two keys
- Drawer shroud, 14 Ga. steel construction
- Rear support brackets included for all depths or can be supported from rear accessory rail - weight load tested to 120 pounds
- Drawer interior smooth white powder paint for high visibility
- Front face finished in tough textured powder paint
- **MOUNTS ON TWO PAIR OF MOUNTING RAILS (FRONT & BACK)**



12" Deep

| Part Number | | Drawer Height |
|--------------------------------|--------------------------------|---------------|
| Black Textured | Beige Textured | |
| RDRW1900312BK1 | RDRW1900312CG1 | 3.50" |
| RDRW1900512BK1 | RDRW1900512CG1 | 5.25" |
| RDRW1900712BK1 | RDRW1900712CG1 | 7.00" |
| RDRW1900812BK1 | RDRW1900812CG1 | 8.75" |
| RDRW1901212BK1 | RDRW1901212CG1 | 12.25" |

16" Deep

| Part Number | | Drawer Height |
|--------------------------------|--------------------------------|---------------|
| Black Textured | Beige Textured | |
| RDRW1900316BK1 | RDRW1900316CG1 | 3.50" |
| RDRW1900516BK1 | RDRW1900516CG1 | 5.25" |
| RDRW1900716BK1 | RDRW1900716CG1 | 7.00" |
| RDRW1900816BK1 | RDRW1900816CG1 | 8.75" |
| RDRW1901216BK1 | RDRW1901216CG1 | 12.25" |

22" Deep

| Part Number | | Drawer Height |
|--------------------------------|--------------------------------|---------------|
| Black Textured | Beige Textured | |
| RDRW1900322BK1 | RDRW1900322CG1 | 3.50" |
| RDRW1900522BK1 | RDRW1900522CG1 | 5.25" |
| RDRW1900722BK1 | RDRW1900722CG1 | 7.00" |
| RDRW1900822BK1 | RDRW1900822CG1 | 8.75" |
| RDRW1901222BK1 | RDRW1901222CG1 | 12.25" |

Accessories

EUROPE

Basingstoke, UK 01256 812812

AUSTRALIA

Queenstown SA, Australia 61-8-8240-2244



CANADA

Guelph, Ontario (519) 822-2960
St. Laurent, Quebec (514) 343-9010

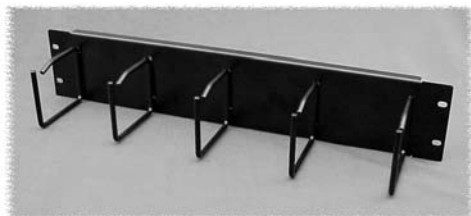
USA

Cheektowaga, NY (716) 630-7030



Cable Management (Horizontal)

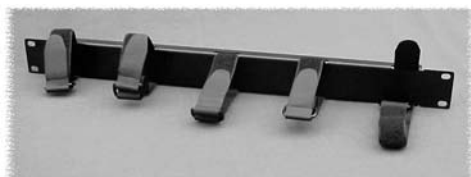
STEEL RING PANELS



- Standard 19" or 23" rack mount
- Five steel rings welded to a folded (for extra strength) rack panel
- Rings extend 3.5" from panel front
- Rugged textured black powder paint finish
- Requires mounting hardware

| Part Number | Panel Width | Panel Height | |
|---------------|-------------|--------------|-------|
| | | Inches | Units |
| PCMBS19001BK1 | 19 | 1.75 | 1 |
| PCMBS19003BK1 | 19 | 3.50 | 2 |
| PCMBS23001BK1 | 23 | 1.75 | 1 |
| PCMBS23003BK1 | 23 | 3.50 | 2 |

VELCRO STRAP PANELS

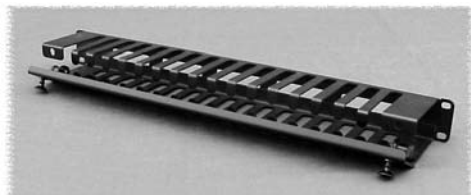


- Standard 19" or 23" rack mount
- Five velcro strap panel, folded (for extra strength)
- Includes five velcro straps
- Rugged textured black powder paint finish
- Requires mounting hardware

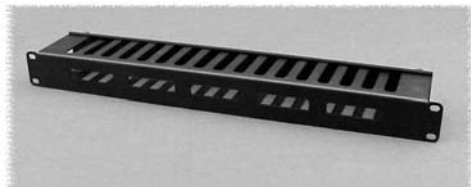
| Part Number | Panel Width | Panel Height | |
|---------------|-------------|--------------|-------|
| | | Inches | Units |
| PCMBV19001BK1 | 19 | 1.75 | 1 |
| PCMBV23001BK1 | 23 | 1.75 | 1 |

METAL FINGER PANELS

Front View (Door Open)



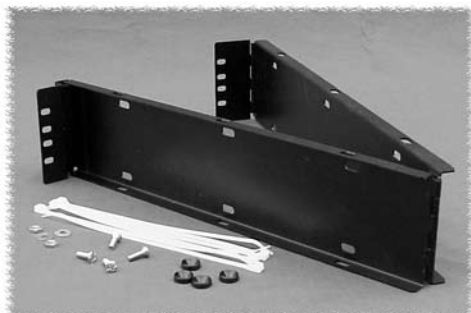
Rear View (Rack Mount Side)



- Standard 19" rack mount
- Snap open, hinged rear door
- Rack mount side has five slotted openings
- Extends 3" (not including snap door buttons) from rack rails
- Rugged textured black powder paint finish
- Requires mounting hardware

| Part Number | Panel Height | |
|---------------|--------------|-------|
| | Inches | Units |
| PCMDS19001BK1 | 1.75 | 1 |
| PCMDS19003BK1 | 3.50 | 2 |
| PCMDS19005BK1 | 5.25 | 3 |

HINGED CABLE GUIDE



- Mounts to standard 19" rack rails
- Steel construction
- Includes mounting hardware & tie wraps
- Rugged textured black powder paint finish

| Part Number | Panel Height | |
|-------------|--------------|-------|
| | Inches | Units |
| CGUIDE | 3.50 | 2 |

Cable Management (Horizontal)

METAL ENCLOSED PANEL

- Standard 19" rack mount
- Continuous hinged door with magnetic closure strip
- Four 3.5" x 0.75" oblong openings top & bottom - allowing for cable exit top and/or bottom
- Extends 1.88" from rack rails
- Rugged textured black powder paint finish
- Requires mounting hardware

| Part Number | Panel Width | Height | |
|-------------------------------|-------------|--------|-------|
| | | Inches | Units |
| PCMDE19001BK1 | 19" | 1.75 | 1 |
| PCMDE19003BK1 | 19" | 3.00 | 2 |

Front View (Door Closed)



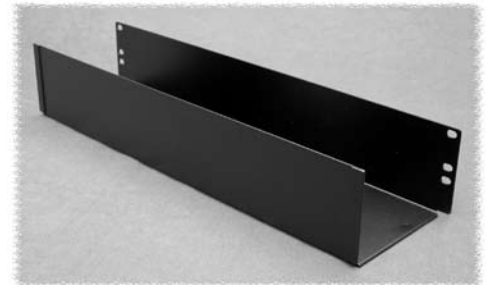
Rear View (Rack Mount Side)



CABLE TROUGH

- Choice of 19" or 23" rack mount
- Provides support for horizontal runs of heavy cable bundles
- Uses 3.5" (2U) of panel space
- Rugged textured black powder paint finish
- Requires mounting hardware

| Part Number | Panel Width |
|------------------------------|-------------|
| PCMT19003BK1 | 19" |
| PCMT23003BK1 | 23" |



VELCRO STRAP KIT

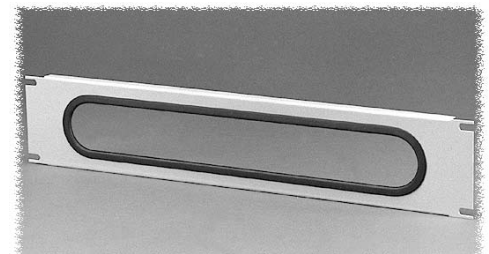
- Perfect for bundling cables where repeated changes are required or to avoid over compression of cables from plastic cable ties
- Package of five velcro straps
- 1" wide, 12" long strap
- Holds a maximum of 3.5" diameter bundle
- Black velcro straps with buckle
- Part Number [CMSTRAP5](#)



CABLE ACCESS PANEL

- Standard 19" rack mount
- Formed 16 gauge steel construction
- 15" x 2" cutout opening, with a protected edge
- Allows for easy entry of cables through 19" panel opening
- Rugged textured powder paint finish
- Requires mounting hardware

| Part Number | | Panel Height | |
|---------------------------|---------------------------|--------------|-------|
| Black Textured | Grey/Beige | Inches | Units |
| DNCE19BK1 | DNCE19CG1 | 3.5 | 2 |



Accessories

EUROPE

Basingstoke, UK 01256 812812

AUSTRALIA

Queenstown SA, Australia 61-8-8240-2244



CANADA

Guelph, Ontario (519) 822-2960
St. Laurent, Quebec (514) 343-9010

USA

Cheektowaga, NY (716) 630-7030



Cable Management (Vertical)



SINGLE CABLE RING

- Mounts to standard 19" rack rails & relay racks
- Steel construction
- 3.5" long X 1.25" wide
- Rugged textured black powder paint finish
- Requires mounting hardware

| Part Number | Panel Height | |
|-------------|--------------|-------|
| | Inches | Units |
| CMRBK1 | 1.75 | 1 |
| CMR3BK1 | 3.50 | 2 |

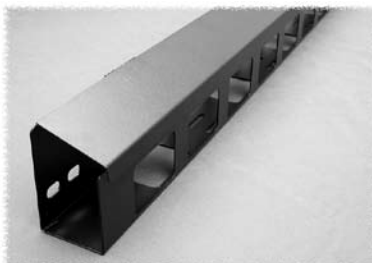
VERTICAL CABLE ORGANIZER



- Mounts to depth amhal rack struts, vertically inside rack cabinet
- Used on 24" 19" Extra Wide rack cabinets so as not to interfere with rack mounted equipment
- Heavy duty - steel body with steel hinged door and 5" plastic pull handle
- Door includes full height magnetic closure strip
- Rounded openings are 3" x 2" - allowing for cable exit from sides and/or back of organizer
- Extends 2.5" from amhal struts
- Includes strut mounting hardware
- Rugged black powder paint finish

| Part Number | Panel Height | |
|-------------|--------------|-------|
| | Inches | Units |
| VCMDST70BK1 | 70.00 | 40 |
| VCMDST78BK1 | 78.75 | 45 |

Door Closed



Door Open



VERTICAL CABLE ORGANIZER

- Mounts to depth amhal rack struts, vertically inside rack cabinet
- Low profile - designed for use on 19" rack cabinets so as not to interfere with rack mounted equipment
- Heavy duty - 16 gauge steel
- Rounded openings are 2" x 2" - allowing for cable exit from sides and/or back of organizer along with 1.5" oblong cable tie-off cutouts
- Extends only 0.5" from amhal struts
- Includes strut mounting hardware
- Rugged black powder paint finish

| Part Number | Panel Height | |
|-------------|--------------|-------|
| | Inches | Units |
| VCT70 | 70.00 | 40 |
| VCT78 | 78.75 | 45 |



Top End View

Cooling - General Selection

Specifications

All Hammond blowers and filter fans are engineered for performance and built for reliability. This versatile line includes blowers, fan trays and filter fans.

Blowers and fans use forced convection cooling, which means ambient air flows through a filter into the enclosure to cool heated components. Both blowers and fans are sized in CFM (cubic feet per minute).

It is recommended that an exhaust filter be used in combination with the blower or filter fan to act both as an exhaust point for the hot internal air plus aid in the pressurization of the enclosure, reducing the chance of unfiltered air entering the enclosure. Whenever possible, the blower or filter fan should be located in the bottom third of the enclosure and the filtered exhaust grill placed as high as possible on the opposing side. Performance levels can be further increased by adding a second exhaust filter.

Sizing Blowers and Fans

To determine the CFM (cubic feet per minute) required in any standard situation, use the following calculation, (non-standard situations would consist of high air density – significantly more than 0.075 lbs. per cubic foot.)

$$\text{C.F.M.} = \frac{\text{Power to be dissipated (Watts)} \times 3.17}{\text{Maximum Allowable Internal Temperature (}^\circ\text{F)} - \text{Maximum Ambient Temperature (}^\circ\text{F)}}$$

Note: The calculation above is exact, but adding an additional 25% to the CFM level is a standard safety factor. If the air density is high (significantly more than 0.075 lbs. per cubic foot), use the number calculated above in the following formula:

$$\frac{\text{CFM} \times (0.075)}{\text{Non-standard air Air Density (lbs per cubic foot)}}$$

Note: Ambient Temperature must be lower than maximum internal temperature for fan/blower to be effective.

THERMOSTAT

- Designed to provide air temperature control and monitoring in cabinets
- Thermostat NO (Normally Open) for control of cooling equipment, or for switching signal transmitters in case of overheating
- Thermostatic bi-metal sensor element
- Available in Fahrenheit (Part Number **SKT011419NO**) or in Celsius (Part Number **SKT011419NO-C**)
- Compact 2.4" High x 1.3" Wide x 1.4" Deep, gray ABS flame retardant plastic (UL94VO)
- 2 pole terminal for AWG 14 wire
- Switching capacity of 15A (120VAC) or 10A (250VAC)
- Temperature range from 30-140 degrees F
- cUR & UR & CE listed



FAN & BLOWER FILTER COAT

- Provides a filter adhesive with a grease like consistency which absorbs and traps dust particles
- 10 oz. bottle with environmentally friendly trigger spray
- Part Number **1475Q**



Accessories

EUROPE

Basingstoke, UK 01256 812812

AUSTRALIA

Queenstown SA, Australia 61-8-8240-2244



CANADA

Guelph, Ontario (519) 822-2960
St. Laurent, Quebec (514) 343-9010

USA

Cheektowaga, NY (716) 630-7030



105

FANS (TUBEAXIAL)



- Choice of 4.70" (120mm) or 3.15" (80mm)
- 1.50" deep
- Choice of either 115 or 230 VAC, 50/60 Hz.
- Impedance protected motor
- Class-B insulated
- Ball bearing construction, metal blades
- Diecast aluminum body
- Rotation is counter clockwise (looking at the rotor - as pictured)
- Airflow is over the struts (out the back as pictured)
- 4.70" (120 mm) fans have male plug terminations (requires fan cords below)
- 3.15" (80 mm) fans have 11" long lead wires
- UL recognized, CSA listed, CE certified
- With mounting hardware



115 VAC Fans

| Part Number | Size | | CFM | Use With Fan Guard Part Number | Use with Filter Grill Part Number |
|------------------------------|--------|-----|-----|--------------------------------|-----------------------------------|
| | Inches | mm | | | |
| FAN80AC115 | 3.15 | 80 | 32 | FAN80FG | XPFA80... |
| DNMF100AC115 | 4.70 | 120 | 100 | DNFG | XPFA120... |

230 VAC Fans

| Part Number | Size | | CFM | Use With Fan Guard Part Number | Use with Filter Grill Part Number |
|------------------------------|--------|-----|-----|--------------------------------|-----------------------------------|
| | Inches | mm | | | |
| FAN80AC230 | 3.15 | 80 | 32 | FAN80FG | XPFA80... |
| DNMF100AC230 | 4.70 | 120 | 100 | DNFG | XPFA120... |

FAN CORDS

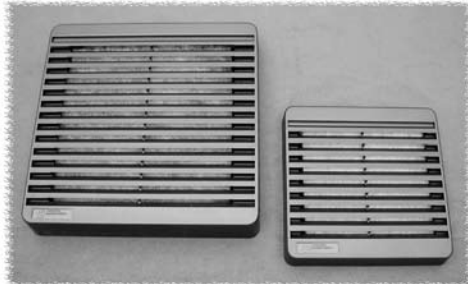


- For 115 VAC wiring
- Save time with these stock fan cords
- Molded female fan plug (0.91" x 0.68")

| Part Number | Description | Lead Length | Fan Connector | 115VAC Plug |
|--------------------------|-----------------|-------------|------------------------------|-------------|
| DNMFC | Single Fan Cord | 24" | Straight | No |
| DNFC48P | Single Fan Cord | 48" | 45 degree | Yes |
| DNFC72P | Single Fan Cord | 72" | 45 degree | No |
| DNFCDC2P | Daisy Chain | 24" | Qty. 2- 45 degree, 24" apart | Yes |
| DNFCDC3P | Daisy Chain | 24" | Qty 3 - 45 degree, 24" apart | Yes |

FILTER FAN GRILLS

- Create your own filter fans or exhaust grills
- Mounts easily with 4 screws using template and hardware provided
- Complete with flame retardant ABS plastic grill and flame retardant synthetic filter
- Integral gasket on rear of grill (see photo below), seals against mounting surface
- Can be used with standard 3.15" (80 mm) or 4.7" (120 mm) square fans (available opposite page or use your own) or alone as an exhaust grill
- Molded in a choice of 3 colors to match our racks & accessories



Two Sizes



Open View



Assembled
(fan not included)

| Part Number | | | Grill Size | | Use with Square Fan Size |
|---------------------------|---------------------------|---------------------------|------------|-------|--------------------------|
| Black | Beige | Grey | H | W | |
| XPFA80BK | XPFA80CG | XPFA80GY | 4.13" | 4.13" | 3.15" |
| XPFA120BK | XPFA120CG | XPFA120GY | 5.91" | 5.91" | 4.70" |

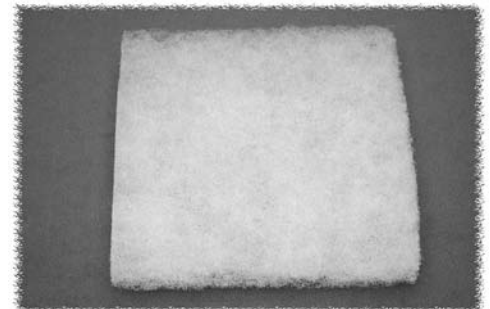


Rear View

REPLACEMENT FILTERS

- Flame retardant synthetic filter (as supplied with above)
- Five per pack

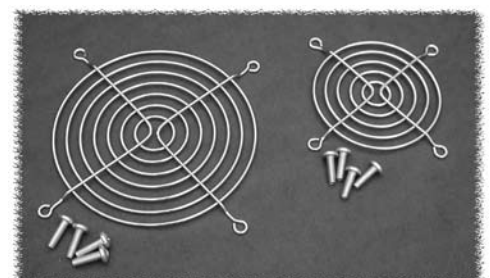
| Part Number | Use with Square Fan Size |
|-------------------------|--------------------------|
| PFF1000 | 3.15" (XPFA80 series) |
| PFF2000 | 4.7" (XPFA120 series) |



FAN FINGER GUARDS

- Mounts to either the 3.15" (80 mm) or 4.7" (120 mm) fans
- Steel construction
- Chrome plated finish
- Includes mounting hardware

| Part Number | Description | Use with Fan Size |
|-------------------------|--------------------------|-------------------|
| FAN80FG | Wire mesh, nickel plated | 3.15" |
| DNFG | Wire mesh, nickel plated | 4.70" |



Accessories

EUROPE

Basingstoke, UK 01256 812812

AUSTRALIA

Queenstown SA, Australia 61-8-8240-2244



CANADA

Guelph, Ontario (519) 822-2960
St. Laurent, Quebec (514) 343-9010

USA

Cheektowaga, NY (716) 630-7030

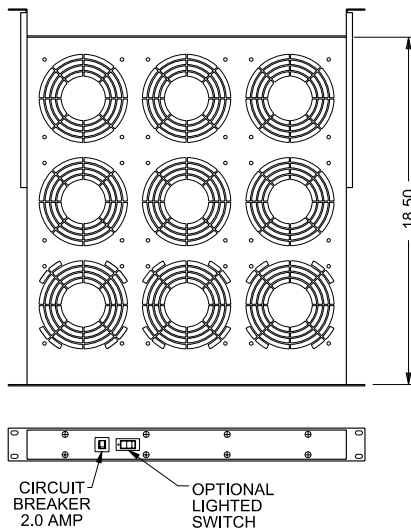


FAN TRAYS

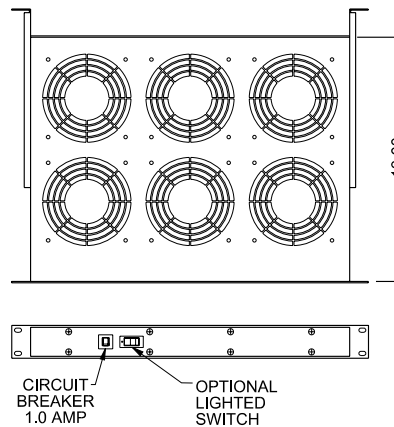


- Standard 19" rack mount
- Compact and economical rack cooling solution
- Fan trays can be positioned at the bottom of a rack to force air through the cabinet, at the top to exhaust air out or below specific pieces of equipment for spot cooling
- 115VAC 50/60 Hz., thermally protected, ball bearing fans
UR/cUR listed
- Circuit breaker protected
- Low profile 1.75" (1U) of panel space
- 6' 14/3 STJW cord with molded 3 prong plug included
- Integral finger guards above and below fans
- Case width is 17"
- 6 and 9 fan units include an adjustable rear mounting bracket (mounts to rear panel rails) for extra stability
- Shipped fully assembled
- Available with or without on/off switch
- Finished in smooth black powder paint
- Control your rack temperature with our economical, compact thermostat

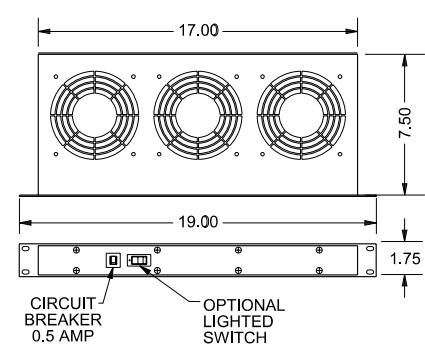
FT900HA1BK



FT600HA1BK



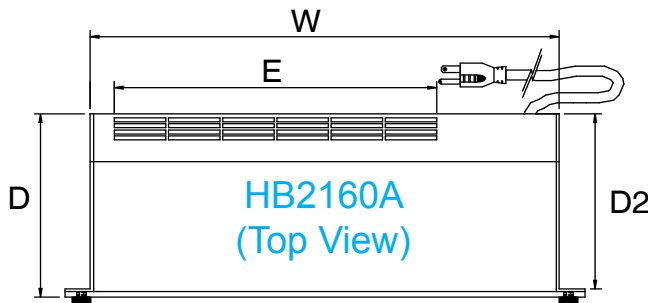
FT300HA1BK



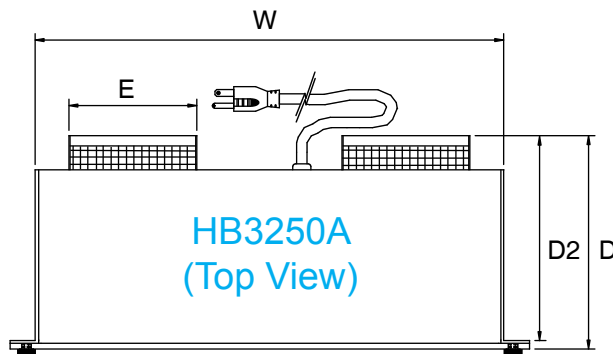
| Part Number | | CFM | Running Amps | Watts | Panel Width | Case Width | Case Depth | Rear Bracket Depth | |
|----------------|---------------------|-----|--------------|-------|-------------|------------|------------|--------------------|-------|
| Without Switch | With Lighted Switch | | | | | | | Min. | Max. |
| FT300TA1BK | FT300HA1BK | 300 | 0.5 | 40 | 19 | 17 | 7.5 | n/a | n/a |
| FT600TA1BK | FT600HA1BK | 600 | 1.0 | 80 | 19 | 17 | 13 | 2.40 | 19.20 |
| FT900TA1BK | FT900HA1BK | 900 | 1.5 | 120 | 19 | 17 | 18.5 | 7.90 | 24.70 |

PACKAGED BLOWERS

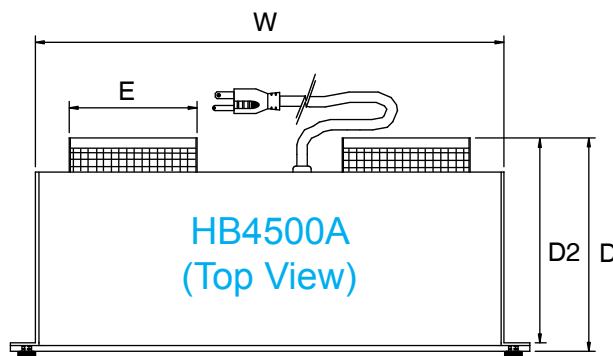
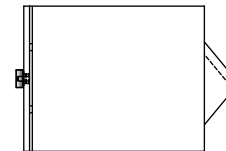
- Standard 19" rack mount
- All blowers contain a quadruplex centrifugal blower powered by a single precision ball-bearing motor
- These widely used packaged blowers deliver air from more than 50% of their 17" width
- 115VAC 50/60 Hz., UR/CSA listed ball bearing motor
- Internal neoprene isolation mounts reduce transmission of vibration to the enclosure
- Heavy duty steel enclosure
- Includes permanent filter & attractive stainless steel grill
- Inlet air (front of unit) cools motor for long life
- Exhaust guards included
- Six foot (minimum) SJTW 3-wire cord



**HB2160A
(Side Profile View)**



**HB3250A
(Side Profile View)**



**HB4500A
(Side Profile View)**



| Part Number | Free Flow Air Delivery (CFM) | RPM Nominal | Ambient Temp. | | Dimensions (Inches) | | | | |
|----------------|------------------------------|-------------|---------------|---------|---------------------|-------|-------|------|-------|
| | | | Min. °F | Max. °F | H | W | D | D2 | E |
| HB2160A | 160 | 1500 | -20 | 250 | 3.50 | 19.00 | 6.94 | 6.63 | 11.79 |
| HB3250A | 300 | 3000 | -20 | 250 | 5.25 | 19.00 | 7.81 | 7.50 | 4.65 |
| HB4500A | 470 | 3250 | -20 | 250 | 7.00 | 19.00 | 10.25 | 9.94 | 4.76 |

EUROPE

Basingstoke, UK 01256 812812

AUSTRALIA

Queenstown SA, Australia 61-8-8240-2244



CANADA

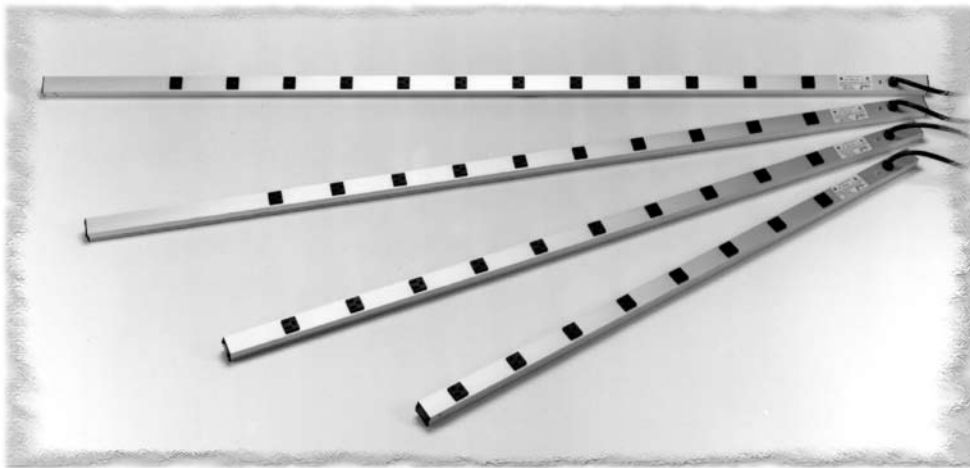
Guelph, Ontario (519) 822-2960
St. Laurent, Quebec (514) 343-9010

USA

Cheektowaga, NY (716) 630-7030



15 Amp - Vertical Rack Mount Outlet Strips



- ~ Designed for power distribution for equipment racks – also handy for work benches
- ~ Rugged extruded aluminum case with 1 5/8" x 1 3/8" profile
- ~ Receptacles are 1" square and are equally spaced over the length of the power strip
- ~ Heavy-duty 14 gauge wire power cord – 14/3 SJTW for extreme temperature ranges
- ~ Integral molded plug available in straight blade (Nema 5-15P) or twist-lock (Nema L5-15P) configuration
- ~ Available with surge protection, on/off switch or red pilot light to indicate power on (see tables)
- ~ Includes 15A, 125VAC circuit breaker to prevent accidental line overload
- ~ Includes hardware for mounting to rack Amhal struts or relay rack sides
- ~ Electrical rating 120VAC/15A
- ~ For additional hardware kit, order part number **1585CLIP**
- ~ **NOTE:** To properly use in racks, allow sufficient depth **BEHIND** the rear panel rails for vertical mounting to amhal struts
- ~ CSA certified
- ~ UL listed (pending on the surge models)

15 Amp Vertical Rack Mount Power Strips With Surge Protection

| Part No. | Outlets | On-Off Switch | Pilot Light | Cord Length | Plug Type | Length | Electrical Rating | Shipping Weight |
|----------------------------|---------|---------------|-------------|-------------|-----------|--------|-------------------|-----------------|
| 1585H8A1S | 8 | Yes | - | 6' | Straight | 48" | 120VAC/15A | 3.5 lbs |
| 1585H8B1S | 8 | Yes | - | 15' | Straight | 48" | 120VAC/15A | 3.5 lbs |
| 1585H10A1S | 10 | Yes | - | 6' | Straight | 48" | 120VAC/15A | 3.5 lbs |
| 1585H10B1S | 10 | Yes | - | 15' | Straight | 48" | 120VAC/15A | 3.5 lbs |
| 1585H15A1S | 15 | Yes | - | 6' | Straight | 48" | 120VAC/15A | 3.7 lbs |
| 1585H15B1S | 15 | Yes | - | 15' | Straight | 48" | 120VAC/15A | 3.7 lbs |
| 1587H11A1S | 11 | Yes | - | 6' | Straight | 70" | 120VAC/15A | 3.5 lbs |
| 1587H11B1S | 11 | Yes | - | 15' | Straight | 70" | 120VAC/15A | 3.5 lbs |
| 1587H19A1S | 19 | Yes | - | 6' | Straight | 70" | 120VAC/15A | 4.8 lbs |
| 1587H19B1S | 19 | Yes | - | 15' | Straight | 70" | 120VAC/15A | 4.8 lbs |
| 1588H12A1S | 12 | Yes | - | 6' | Straight | 77" | 120VAC/15A | 3.5 lbs |
| 1588H12B1S | 12 | Yes | - | 15' | Straight | 77" | 120VAC/15A | 3.5 lbs |
| 1585T8A1S | 8 | - | Yes | 6' | Straight | 48" | 120VAC/15A | 3.5 lbs |
| 1585T8B1S | 8 | - | Yes | 15' | Straight | 48" | 120VAC/15A | 3.5 lbs |
| 1585T10A1S | 10 | - | Yes | 6' | Straight | 48" | 120VAC/15A | 3.5 lbs |
| 1585T10B1S | 10 | - | Yes | 15' | Straight | 48" | 120VAC/15A | 3.5 lbs |
| 1585T15A1S | 15 | - | Yes | 6' | Straight | 48" | 120VAC/15A | 3.7 lbs |
| 1585T15B1S | 15 | - | Yes | 15' | Straight | 48" | 120VAC/15A | 3.7 lbs |
| 1587T11A1S | 11 | - | Yes | 6' | Straight | 70" | 120VAC/15A | 3.5 lbs |
| 1587T11B1S | 11 | - | Yes | 15' | Straight | 70" | 120VAC/15A | 3.5 lbs |
| 1587T19A1S | 19 | - | Yes | 6' | Straight | 70" | 120VAC/15A | 4.8 lbs |
| 1587T19B1S | 19 | - | Yes | 15' | Straight | 70" | 120VAC/15A | 4.8 lbs |
| 1588T12A1S | 12 | - | Yes | 6' | Straight | 77" | 120VAC/15A | 3.5 lbs |
| 1588T12B1S | 12 | - | Yes | 15' | Straight | 77" | 120VAC/15A | 3.5 lbs |



CANADA
Guelph, Ontario (519) 822-2960
St. Laurent, Quebec (514) 343-9010

USA
Cheektowaga, NY (716) 630-7030



EUROPE
Basingstoke, UK 01256 812812

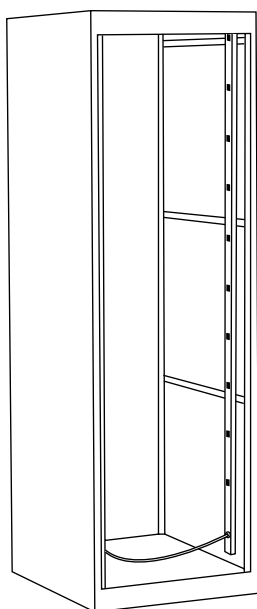
AUSTRALIA
Queenstown SA, Australia 61-8-8240-2244

15 Amp - Vertical Rack Mount Outlet Strips

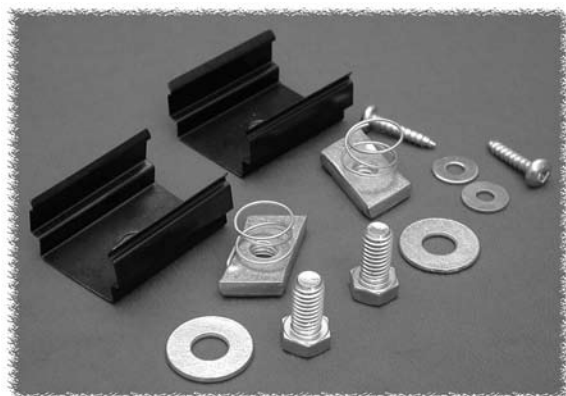
15 Amp Vertical Rack Mount Power Strips - With On/Off Switch

| Part No. | Outlets | Cord Length | Plug Type | Length | Shipping Weight |
|-----------|---------|-------------|------------|--------|-----------------|
| 15851H6A1 | 6 | 6' | Straight | 18" | 2.5 lbs |
| 15851H6B1 | 6 | 15' | Straight | 18" | 2.5 lbs |
| 15851H6C1 | 6 | 6' | Twist Lock | 18" | 2.5 lbs |
| 15851H6D1 | 6 | 15' | Twist Lock | 18" | 2.5 lbs |
| 15852H6A1 | 6 | 6' | Straight | 24" | 2.5 lbs |
| 15852H6B1 | 6 | 15' | Straight | 24" | 2.5 lbs |
| 15852H6C1 | 6 | 6' | Twist Lock | 24" | 2.5 lbs |
| 15852H6D1 | 6 | 15' | Twist Lock | 24" | 2.5 lbs |
| 15852H8A1 | 8 | 6' | Straight | 24" | 2.5 lbs |
| 15852H8B1 | 8 | 15' | Straight | 24" | 2.5 lbs |
| 15852H8C1 | 8 | 6' | Twist Lock | 24" | 2.5 lbs |
| 15852H8D1 | 8 | 15' | Twist Lock | 24" | 3.5 lbs |
| 15853H6A1 | 6 | 6' | Straight | 36" | 3.0 lbs |
| 15853H6B1 | 6 | 15' | Straight | 36" | 3.0 lbs |
| 15853H6C1 | 6 | 6' | Twist Lock | 36" | 3.0 lbs |
| 15853H6D1 | 6 | 15' | Twist Lock | 36" | 3.0 lbs |
| 15854H7A1 | 7 | 6' | Straight | 42" | 3.5 lbs |
| 15854H7B1 | 7 | 15' | Straight | 42" | 3.5 lbs |
| 15854H7C1 | 7 | 6' | Twist Lock | 42" | 3.5 lbs |
| 15854H7D1 | 7 | 15' | Twist Lock | 42" | 3.5 lbs |
| 1585H8A1 | 8 | 6' | Straight | 48" | 3.5 lbs |
| 1585H8B1 | 8 | 15' | Straight | 48" | 3.5 lbs |
| 1585H8C1 | 8 | 6' | Twist Lock | 48" | 3.5 lbs |
| 1585H8D1 | 8 | 15' | Twist Lock | 48" | 3.5 lbs |
| 1585H10A1 | 10 | 6' | Straight | 48" | 3.5 lbs |
| 1585H10B1 | 10 | 15' | Straight | 48" | 3.5 lbs |
| 1585H10C1 | 10 | 6' | Twist Lock | 48" | 3.5 lbs |
| 1585H10D1 | 10 | 15' | Twist Lock | 48" | 3.5 lbs |
| 1585H11A1 | 11 | 6' | Straight | 48" | 3.5 lbs |
| 1585H11B1 | 11 | 15' | Straight | 48" | 3.5 lbs |
| 1585H11C1 | 11 | 6' | Twist Lock | 48" | 3.5 lbs |
| 1585H11D1 | 11 | 15' | Twist Lock | 48" | 3.5 lbs |
| 1585H15A1 | 15 | 6' | Straight | 48" | 3.7 lbs |
| 1585H15B1 | 15 | 15' | Straight | 48" | 3.7 lbs |
| 1585H15C1 | 15 | 6' | Twist Lock | 48" | 3.7 lbs |
| 1585H15D1 | 15 | 15' | Twist Lock | 48" | 3.7 lbs |

| Part No. | Outlets | Cord Length | Plug Type | Length | Shipping Weight |
|-----------|---------|-------------|------------|--------|-----------------|
| 1585H16A1 | 16 | 6' | Straight | 48" | 3.7 lbs |
| 1585H16B1 | 16 | 15' | Straight | 48" | 3.7 lbs |
| 1585H16C1 | 16 | 6' | Twist Lock | 48" | 3.7 lbs |
| 1585H16D1 | 16 | 15' | Twist Lock | 48" | 3.7 lbs |
| 1586H10A1 | 10 | 6' | Straight | 60" | 3.7 lbs |
| 1586H10B1 | 10 | 15' | Straight | 60" | 3.7 lbs |
| 1586H10C1 | 10 | 6' | Twist Lock | 60" | 3.7 lbs |
| 1586H10D1 | 10 | 15' | Twist Lock | 60" | 3.5 lbs |
| 1586H12A1 | 12 | 6' | Straight | 60" | 3.7 lbs |
| 1586H12B1 | 12 | 15' | Straight | 60" | 3.7 lbs |
| 1586H12C1 | 12 | 6' | Twist Lock | 60" | 3.7 lbs |
| 1586H12D1 | 12 | 15' | Twist Lock | 60" | 4.8 lbs |
| 1587H10A1 | 10 | 6' | Straight | 70" | 4.2 lbs |
| 1587H10B1 | 10 | 15' | Straight | 70" | 4.2 lbs |
| 1587H10C1 | 10 | 6' | Twist Lock | 70" | 4.2 lbs |
| 1587H10D1 | 10 | 15' | Twist Lock | 70" | 4.2 lbs |
| 1587H11A1 | 11 | 6' | Straight | 70" | 4.2 lbs |
| 1587H11B1 | 11 | 15' | Straight | 70" | 4.2 lbs |
| 1587H11C1 | 11 | 6' | Twist Lock | 70" | 4.2 lbs |
| 1587H11D1 | 11 | 15' | Twist Lock | 70" | 4.2 lbs |
| 1587H12A1 | 12 | 6' | Straight | 70" | 4.2 lbs |
| 1587H12B1 | 12 | 15' | Straight | 70" | 4.2 lbs |
| 1587H12C1 | 12 | 6' | Twist Lock | 70" | 4.2 lbs |
| 1587H12D1 | 12 | 15' | Twist Lock | 70" | 4.2 lbs |
| 1587H19A1 | 19 | 6' | Straight | 70" | 4.8 lbs |
| 1587H19B1 | 19 | 15' | Straight | 70" | 4.8 lbs |
| 1587H19C1 | 19 | 6' | Twist Lock | 70" | 4.8 lbs |
| 1587H19D1 | 19 | 15' | Twist Lock | 70" | 4.8 lbs |
| 1587H24A1 | 24 | 6' | Straight | 70" | 4.8 lbs |
| 1587H24B1 | 24 | 15' | Straight | 70" | 4.8 lbs |
| 1587H24C1 | 24 | 6' | Twist Lock | 70" | 4.8 lbs |
| 1587H24D1 | 24 | 15' | Twist Lock | 70" | 4.8 lbs |
| 1588H12A1 | 12 | 6' | Straight | 77" | 4.8 lbs |
| 1588H12B1 | 12 | 15' | Straight | 77" | 4.8 lbs |
| 1588H12C1 | 12 | 6' | Twist Lock | 77" | 4.8 lbs |
| 1588H12D1 | 12 | 15' | Twist Lock | 77" | 4.8 lbs |



Hardware Kit: part number **1585CLIP** (included)



Accessories

EUROPE

Basingstoke, UK 01256 812812

AUSTRALIA

Queenstown SA, Australia 61-8-8240-2244

www.hammondmfg.com

CANADA

Guelph, Ontario (519) 822-2960
St. Laurent, Quebec (514) 343-9010

USA

Cheektowaga, NY (716) 630-7030



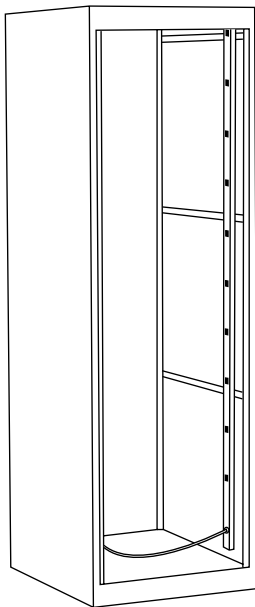
111

15 Amp - Vertical Rack Mount Outlet Strips

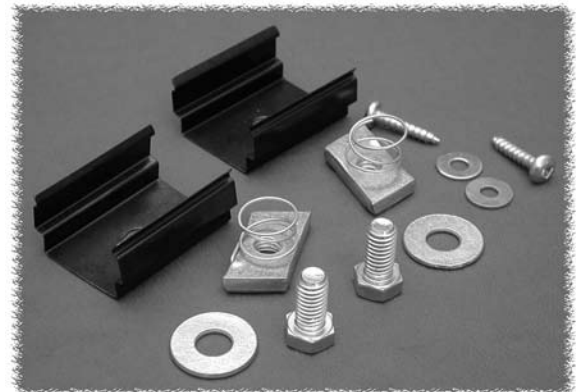
15 Amp Vertical Rack Mount Power Strips - With Pilot Light

| Part No. | Outlets | Cord Length | Plug Type | Length | Shipping Weight |
|-----------|---------|-------------|------------|--------|-----------------|
| 15851T6A1 | 6 | 6' | Straight | 18" | 2.5 lbs |
| 15851T6B1 | 6 | 15' | Straight | 18" | 2.5 lbs |
| 15851T6C1 | 6 | 6' | Twist Lock | 18" | 2.5 lbs |
| 15851T6D1 | 6 | 15' | Twist Lock | 18" | 2.5 lbs |
| 15852T6A1 | 6 | 6' | Straight | 24" | 2.5 lbs |
| 15852T6B1 | 6 | 15' | Straight | 24" | 2.5 lbs |
| 15852T6C1 | 6 | 6' | Twist Lock | 24" | 2.5 lbs |
| 15852T6D1 | 6 | 15' | Twist Lock | 24" | 2.5 lbs |
| 15852T8A1 | 8 | 6' | Straight | 24" | 2.5 lbs |
| 15852T8B1 | 8 | 15' | Straight | 24" | 2.5 lbs |
| 15852T8C1 | 8 | 6' | Twist Lock | 24" | 2.5 lbs |
| 15852T8D1 | 8 | 15' | Twist Lock | 24" | 3.5 lbs |
| 15853T6A1 | 6 | 6' | Straight | 36" | 3.0 lbs |
| 15853T6B1 | 6 | 15' | Straight | 36" | 3.0 lbs |
| 15853T6C1 | 6 | 6' | Twist Lock | 36" | 3.0 lbs |
| 15853T6D1 | 6 | 15' | Twist Lock | 36" | 3.0 lbs |
| 15854T7A1 | 7 | 6' | Straight | 42" | 3.5 lbs |
| 15854T7B1 | 7 | 15' | Straight | 42" | 3.5 lbs |
| 15854T7C1 | 7 | 6' | Twist Lock | 42" | 3.5 lbs |
| 15854T7D1 | 7 | 15' | Twist Lock | 42" | 3.5 lbs |
| 1585T8A1 | 8 | 6' | Straight | 48" | 3.5 lbs |
| 1585T8B1 | 8 | 15' | Straight | 48" | 3.5 lbs |
| 1585T8C1 | 8 | 6' | Twist Lock | 48" | 3.5 lbs |
| 1585T8D1 | 8 | 15' | Twist Lock | 48" | 3.5 lbs |
| 1585T10A1 | 10 | 6' | Straight | 48" | 3.5 lbs |
| 1585T10B1 | 10 | 15' | Straight | 48" | 3.5 lbs |
| 1585T10C1 | 10 | 6' | Twist Lock | 48" | 3.5 lbs |
| 1585T10D1 | 10 | 15' | Twist Lock | 48" | 3.5 lbs |
| 1585T11A1 | 11 | 6' | Straight | 48" | 3.5 lbs |
| 1585T11B1 | 11 | 15' | Straight | 48" | 3.5 lbs |
| 1585T11C1 | 11 | 6' | Twist Lock | 48" | 3.5 lbs |
| 1585T11D1 | 11 | 15' | Twist Lock | 48" | 3.5 lbs |
| 1585T15A1 | 15 | 6' | Straight | 48" | 3.7 lbs |
| 1585T15B1 | 15 | 15' | Straight | 48" | 3.7 lbs |
| 1585T15C1 | 15 | 6' | Twist Lock | 48" | 3.7 lbs |
| 1585T15D1 | 15 | 15' | Twist Lock | 48" | 3.7 lbs |

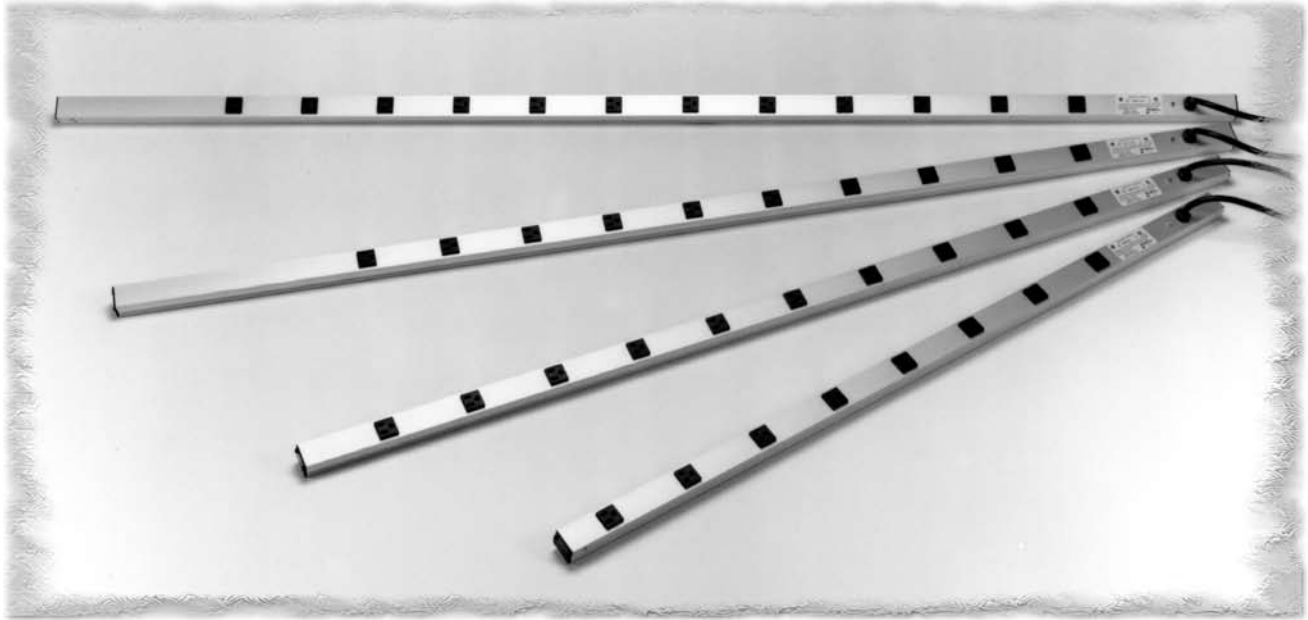
| Part No. | Outlets | Cord Length | Plug Type | Length | Shipping Weight |
|-----------|---------|-------------|------------|--------|-----------------|
| 1585T16A1 | 16 | 6' | Straight | 48" | 3.7 lbs |
| 1585T16B1 | 16 | 15' | Straight | 48" | 3.7 lbs |
| 1585T16C1 | 16 | 6' | Twist Lock | 48" | 3.7 lbs |
| 1585T16D1 | 16 | 15' | Twist Lock | 48" | 3.7 lbs |
| 1586T10A1 | 10 | 6' | Straight | 60" | 3.7 lbs |
| 1586T10B1 | 10 | 15' | Straight | 60" | 3.7 lbs |
| 1586T10C1 | 10 | 6' | Twist Lock | 60" | 3.7 lbs |
| 1586T10D1 | 10 | 15' | Twist Lock | 60" | 3.5 lbs |
| 1586T12A1 | 12 | 6' | Straight | 60" | 3.7 lbs |
| 1586T12B1 | 12 | 15' | Straight | 60" | 3.7 lbs |
| 1586T12C1 | 12 | 6' | Twist Lock | 60" | 3.7 lbs |
| 1586T12D1 | 12 | 15' | Twist Lock | 60" | 4.2 lbs |
| 1587T10A1 | 10 | 6' | Straight | 70" | 4.2 lbs |
| 1587T10B1 | 10 | 15' | Straight | 70" | 4.2 lbs |
| 1587T10C1 | 10 | 6' | Twist Lock | 70" | 4.2 lbs |
| 1587T10D1 | 10 | 15' | Twist Lock | 70" | 4.2 lbs |
| 1587T11A1 | 11 | 6' | Straight | 70" | 4.2 lbs |
| 1587T11B1 | 11 | 15' | Straight | 70" | 4.2 lbs |
| 1587T11C1 | 11 | 6' | Twist Lock | 70" | 4.2 lbs |
| 1587T11D1 | 11 | 15' | Twist Lock | 70" | 4.2 lbs |
| 1587T12A1 | 12 | 6' | Straight | 70" | 4.2 lbs |
| 1587T12B1 | 12 | 15' | Straight | 70" | 4.2 lbs |
| 1587T12C1 | 12 | 6' | Twist Lock | 70" | 4.2 lbs |
| 1587T12D1 | 12 | 15' | Twist Lock | 70" | 4.2 lbs |
| 1587T19A1 | 19 | 6' | Straight | 70" | 4.8 lbs |
| 1587T19B1 | 19 | 15' | Straight | 70" | 4.8 lbs |
| 1587T19C1 | 19 | 6' | Twist Lock | 70" | 4.8 lbs |
| 1587T19D1 | 19 | 15' | Twist Lock | 70" | 4.8 lbs |
| 1587T24A1 | 24 | 6' | Straight | 70" | 4.8 lbs |
| 1587T24B1 | 24 | 15' | Straight | 70" | 4.8 lbs |
| 1587T24C1 | 24 | 6' | Twist Lock | 70" | 4.8 lbs |
| 1587T24D1 | 24 | 15' | Twist Lock | 70" | 4.8 lbs |
| 1588T12A1 | 12 | 6' | Straight | 77" | 4.8 lbs |
| 1588T12B1 | 12 | 15' | Straight | 77" | 4.8 lbs |
| 1588T12C1 | 12 | 6' | Twist Lock | 77" | 4.8 lbs |
| 1588T12D1 | 12 | 15' | Twist Lock | 77" | 4.8 lbs |



Hardware Kit: part number **1585CLIP** (included)

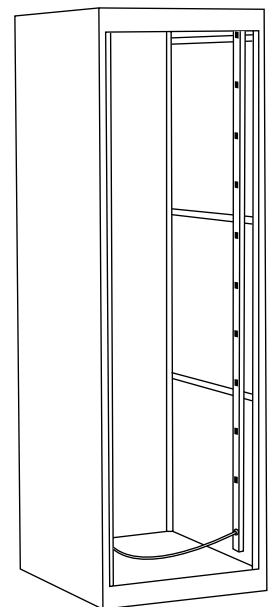
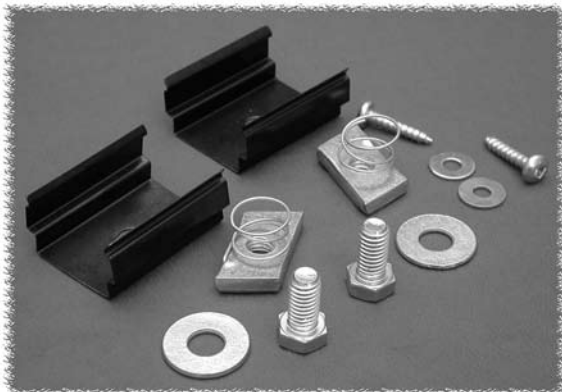


20 Amp - Vertical Rack Mount Outlet Strips



- ~ Designed for power distribution for equipment racks – also handy for work benches
- ~ Designed for applications with heavy current draw
- ~ Rugged extruded aluminum case with 1 5/8" x 1 3/8" profile
- ~ Receptacles are 1" square and are equally spaced over the length of the power strip
- ~ Integral molded plug available in straight blade (Nema 5-20P) or twist-lock (Nema L5-20P) configurations (see table)
- ~ Available with on/off switch or red pilot light to indicate power on (see table)
- ~ Electrical rating of 120VAC/20A
- ~ 20A outlets with 20A circuit breaker, 12 gauge wire - 12/3 SJTW 20A heavy duty power cord for extreme temperature ranges
- ~ Includes hardware for mounting to rack Amhal struts or relay rack sides
- ~ For additional hardware kit, order part number **1585CLIP**
- ~ **NOTE:** To properly use in racks, allow sufficient depth **BEHIND** the rear panel rails for vertical mounting to amhal struts
- ~ CSA certified
- ~ UL listed

Hardware Kit: part number **1585CLIP** (included)



Accessories

EUROPE

Basingstoke, UK 01256 812812

AUSTRALIA

Queenstown SA, Australia 61-8-8240-2244

www.hammondmfg.com

CANADA

Guelph, Ontario (519) 822-2960
St. Laurent, Quebec (514) 343-9010

USA

Cheektowaga, NY (716) 630-7030



113

20 Amp - Vertical Rack Mount Outlet Strips

20 Amp Vertical Rack Mount Power Strips - With On/Off Switch

20 Amp Vertical Rack Mount Power Strips - With Pilot Light

| Part No. | Outlets | Cord Length | Plug Type | Length | Shipping Weight |
|-------------|---------|-------------|------------|--------|-----------------|
| 1589H18C1 | 6 | 6' | Twist Lock | 18" | 2.7 lbs |
| 1589H18D1 | 6 | 15' | Twist Lock | 18" | 2.7 lbs |
| 1589H18F1 | 6 | 6' | Straight | 18" | 2.5 lbs |
| 1589H18G1 | 6 | 15' | Straight | 18" | 3.0 lbs |
| 1589H24C1 | 8 | 6' | Twist Lock | 24" | 2.7 lbs |
| 1589H24D1 | 8 | 15' | Twist Lock | 24" | 2.7 lbs |
| 1589H24F1 | 8 | 6' | Straight | 24" | 2.5 lbs |
| 1589H24G1 | 8 | 15' | Straight | 24" | 3.0 lbs |
| 1589H36C1 | 6 | 6' | Twist Lock | 36" | 3.2 lbs |
| 1589H36D1 | 6 | 15' | Twist Lock | 36" | 3.2 lbs |
| 1589H36F1 | 6 | 6' | Straight | 36" | 3.0 lbs |
| 1589H36G1 | 6 | 15' | Straight | 36" | 3.5 lbs |
| 1589H42C1 | 7 | 6' | Twist Lock | 42" | 3.7 lbs |
| 1589H42D1 | 7 | 15' | Twist Lock | 42" | 3.7 lbs |
| 1589H42F1 | 7 | 6' | Straight | 42" | 3.5 lbs |
| 1589H42G1 | 7 | 15' | Straight | 42" | 4.0 lbs |
| 1589H48C1 | 8 | 6' | Twist Lock | 48" | 3.7 lbs |
| 1589H48D1 | 8 | 15' | Twist Lock | 48" | 3.7 lbs |
| 1589H48F1 | 8 | 6' | Straight | 48" | 3.5 lbs |
| 1589H48G1 | 8 | 15' | Straight | 48" | 4.0 lbs |
| 1589H48C116 | 16 | 6' | Twist Lock | 48" | 3.9 lbs |
| 1589H48D116 | 16 | 15' | Twist Lock | 48" | 3.9 lbs |
| 1589H48F116 | 16 | 6' | Straight | 48" | 3.7 lbs |
| 1589H48G116 | 16 | 15' | Straight | 48" | 4.2 lbs |
| 1589H60C1 | 10 | 6' | Twist Lock | 60" | 3.7 lbs |
| 1589H60D1 | 10 | 15' | Twist Lock | 60" | 3.7 lbs |
| 1589H60F1 | 10 | 6' | Straight | 60" | 3.5 lbs |
| 1589H60G1 | 10 | 15' | Straight | 60" | 4.0 lbs |
| 1589H70C1 | 10 | 6' | Twist Lock | 70" | 4.2 lbs |
| 1589H70D1 | 10 | 15' | Twist Lock | 70" | 4.2 lbs |
| 1589H70F1 | 10 | 6' | Straight | 70" | 4.0 lbs |
| 1589H70G1 | 10 | 15' | Straight | 70" | 4.5 lbs |
| 1589H70C124 | 24 | 6' | Twist Lock | 70" | 4.4 lbs |
| 1589H70D124 | 24 | 15' | Twist Lock | 70" | 4.4 lbs |
| 1589H70F124 | 24 | 6' | Straight | 70" | 4.2 lbs |
| 1589H70G124 | 24 | 15' | Straight | 70" | 4.7 lbs |
| 1589H77C1 | 12 | 6' | Twist Lock | 77" | 4.8 lbs |
| 1589H77D1 | 12 | 15' | Twist Lock | 77" | 4.8 lbs |
| 1589H77F1 | 12 | 6' | Straight | 77" | 4.6 lbs |
| 1589H77G1 | 12 | 15' | Straight | 77" | 5.1 lbs |

| Part No. | Outlets | Cord Length | Plug Type | Length | Shipping Weight |
|-------------|---------|-------------|------------|--------|-----------------|
| 1589T18C1 | 6 | 6' | Twist Lock | 18" | 2.7 lbs |
| 1589T18D1 | 6 | 15' | Twist Lock | 18" | 2.7 lbs |
| 1589T18F1 | 6 | 6' | Straight | 18" | 2.5 lbs |
| 1589T18G1 | 6 | 15' | Straight | 18" | 3.0 lbs |
| 1589T24C1 | 8 | 6' | Twist Lock | 24" | 2.7 lbs |
| 1589T24D1 | 8 | 15' | Twist Lock | 24" | 2.7 lbs |
| 1589T24F1 | 8 | 6' | Straight | 24" | 2.5 lbs |
| 1589T24G1 | 8 | 15' | Straight | 24" | 3.0 lbs |
| 1589T36C1 | 6 | 6' | Twist Lock | 36" | 3.2 lbs |
| 1589T36D1 | 6 | 15' | Twist Lock | 36" | 3.2 lbs |
| 1589T36F1 | 6 | 6' | Straight | 36" | 3.0 lbs |
| 1589T36G1 | 6 | 15' | Straight | 36" | 3.5 lbs |
| 1589T42C1 | 7 | 6' | Twist Lock | 42" | 3.7 lbs |
| 1589T42D1 | 7 | 15' | Twist Lock | 42" | 3.7 lbs |
| 1589T42F1 | 7 | 6' | Straight | 42" | 3.5 lbs |
| 1589T42G1 | 7 | 15' | Straight | 42" | 4.0 lbs |
| 1589T48C1 | 8 | 6' | Twist Lock | 48" | 3.7 lbs |
| 1589T48D1 | 8 | 15' | Twist Lock | 48" | 3.7 lbs |
| 1589T48F1 | 8 | 6' | Straight | 48" | 3.5 lbs |
| 1589T48G1 | 8 | 15' | Straight | 48" | 4.0 lbs |
| 1589T48C116 | 16 | 6' | Twist Lock | 48" | 3.9 lbs |
| 1589T48D116 | 16 | 15' | Twist Lock | 48" | 3.9 lbs |
| 1589T48F116 | 16 | 6' | Straight | 48" | 3.7 lbs |
| 1589T48G116 | 16 | 15' | Straight | 48" | 4.2 lbs |
| 1589T60C1 | 10 | 6' | Twist Lock | 60" | 3.7 lbs |
| 1589T60D1 | 10 | 15' | Twist Lock | 60" | 3.7 lbs |
| 1589T60F1 | 10 | 6' | Straight | 60" | 3.5 lbs |
| 1589T60G1 | 10 | 15' | Straight | 60" | 4.0 lbs |
| 1589T70C1 | 10 | 6' | Twist Lock | 70" | 4.2 lbs |
| 1589T70D1 | 10 | 15' | Twist Lock | 70" | 4.2 lbs |
| 1589T70F1 | 10 | 6' | Straight | 70" | 4.0 lbs |
| 1589T70G1 | 10 | 15' | Straight | 70" | 4.5 lbs |
| 1589T70C124 | 24 | 6' | Twist Lock | 70" | 4.4 lbs |
| 1589T70D124 | 24 | 15' | Twist Lock | 70" | 4.4 lbs |
| 1589T70F124 | 24 | 6' | Straight | 70" | 4.2 lbs |
| 1589T70G124 | 24 | 15' | Straight | 70" | 4.7 lbs |
| 1589T77C1 | 12 | 6' | Twist Lock | 77" | 4.8 lbs |
| 1589T77D1 | 12 | 15' | Twist Lock | 77" | 4.8 lbs |
| 1589T77F1 | 12 | 6' | Straight | 77" | 4.6 lbs |
| 1589T77G1 | 12 | 15' | Straight | 77" | 5.1 lbs |



15 Amp - Rack Mount Power Panels



- ~ Designed for power distribution from front and rear of unit.
- ~ Tough steel case painted in black powder coat finish.
- ~ Heavy-duty 14 gauge wire power cord – 14/3 SJTW for extreme temperature ranges.
- ~ Integral molded plug available in straight blade (Nema 5-15P) or twist-lock (Nema L5-15P) configurations.
- ~ Available with lighted on/off switch or red pilot light to indicate power on.
- ~ Includes 15A, 125VAC circuit breaker to prevent accidental line overload.
- ~ CSA certified.
- ~ UL recognized - under the component program of UL.



15 Amp Rack Mount (Front & Rear Receptacles)

| Part No. | Total Outlets | Front Outlets | Rear Outlets | On-Off Switch | Pilot Light | Cord Length | Cord Type | Dimensions (Inches) L x W x H | Electrical Rating | Shipping Weight |
|------------------------------|---------------|---------------|--------------|---------------|-------------|-------------|------------|-------------------------------|-------------------|-----------------|
| 1583H6A1BKX | 6 | 2 | 4 | Yes | - | 6' | Straight | 19 x 3 x 1.75 | 120VAC/15A | 4 lbs |
| 1583H6B1BKX | 6 | 2 | 4 | Yes | - | 15' | Straight | 19 x 3 x 1.75 | 120VAC/15A | 4 lbs |
| 1583H6C1BKX | 6 | 2 | 4 | Yes | - | 6' | Twist Lock | 19 x 3 x 1.75 | 120VAC/15A | 4 lbs |
| 1583H6D1BKX | 6 | 2 | 4 | Yes | - | 15' | Twist Lock | 19 x 3 x 1.75 | 120VAC/15A | 4 lbs |
| 1583T6A1BKX | 6 | 2 | 4 | - | Yes | 6' | Straight | 19 x 3 x 1.75 | 120VAC/15A | 4 lbs |
| 1583T6B1BKX | 6 | 2 | 4 | - | Yes | 15' | Straight | 19 x 3 x 1.75 | 120VAC/15A | 4 lbs |
| 1583T6C1BKX | 6 | 2 | 4 | - | Yes | 6' | Twist Lock | 19 x 3 x 1.75 | 120VAC/15A | 4 lbs |
| 1583T6D1BKX | 6 | 2 | 4 | - | Yes | 15' | Twist Lock | 19 x 3 x 1.75 | 120VAC/15A | 4 lbs |
| 1583H12A1BKX | 12 | 6 | 6 | Yes | - | 6' | Straight | 19 x 3 x 1.75 | 120VAC/15A | 4 lbs |
| 1583H12B1BKX | 12 | 6 | 6 | Yes | - | 15' | Straight | 19 x 3 x 1.75 | 120VAC/15A | 4 lbs |
| 1583H12C1BKX | 12 | 6 | 6 | Yes | - | 6' | Twist Lock | 19 x 3 x 1.75 | 120VAC/15A | 4 lbs |
| 1583H12D1BKX | 12 | 6 | 6 | Yes | - | 15' | Twist Lock | 19 x 3 x 1.75 | 120VAC/15A | 4 lbs |
| 1583T12A1BKX | 12 | 6 | 6 | - | Yes | 6' | Straight | 19 x 3 x 1.75 | 120VAC/15A | 4 lbs |
| 1583T12B1BKX | 12 | 6 | 6 | - | Yes | 15' | Straight | 19 x 3 x 1.75 | 120VAC/15A | 4 lbs |
| 1583T12C1BKX | 12 | 6 | 6 | - | Yes | 6' | Twist Lock | 19 x 3 x 1.75 | 120VAC/15A | 4 lbs |
| 1583T12D1BKX | 12 | 6 | 6 | - | Yes | 15' | Twist Lock | 19 x 3 x 1.75 | 120VAC/15A | 4 lbs |

Accessories

EUROPE

Basingstoke, UK 01256 812812

AUSTRALIA

Queenstown SA, Australia 61-8-8240-2244



CANADA

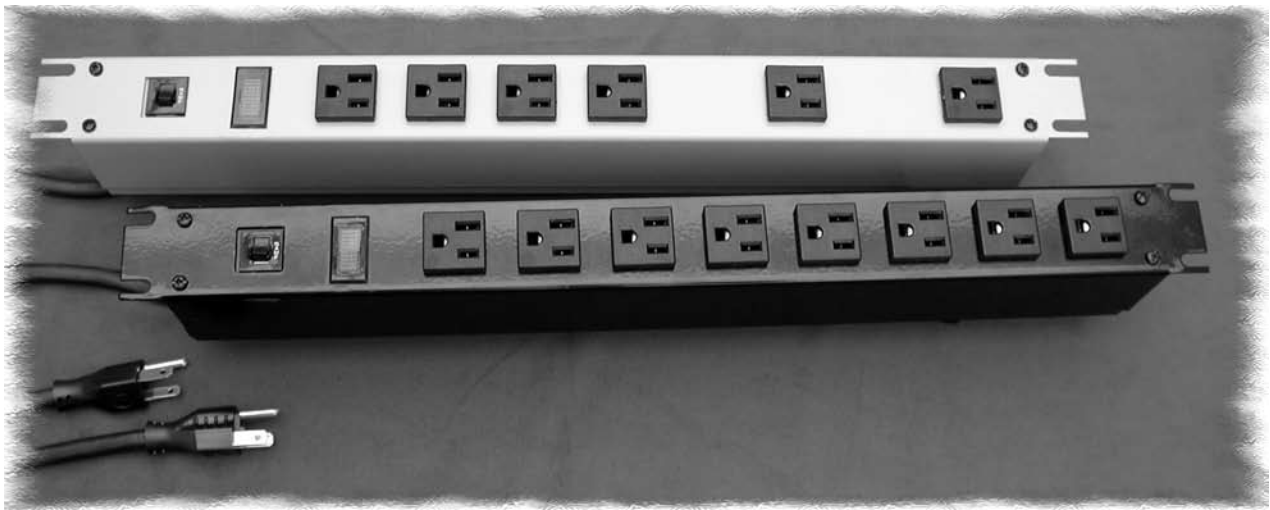
Guelph, Ontario (519) 822-2960
St. Laurent, Quebec (514) 343-9010

USA

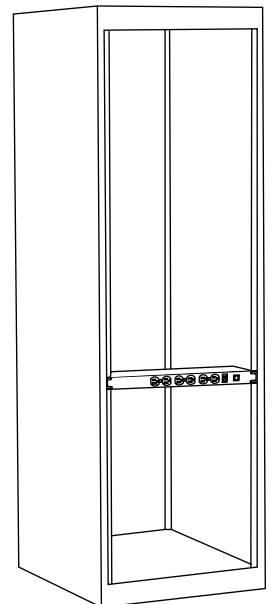
Cheektowaga, NY (716) 630-7030



15 Amp - Rack Mount Power Panels



- ~ Designed for power distribution from front of unit.
- ~ Tough steel case available in ASA 61 grey or black powder coat finish.
- ~ Heavy-duty 14 gauge wire power cord – 14/3 SJTW for extreme temperature ranges.
- ~ Integral molded plug available in straight blade (Nema 5-15P) or twist-lock (Nema L5-15P) configurations.
- ~ 6 outlet models include 2 outlets with extra space for clearance of most plug in transformers.
- ~ Available with lighted on/off switch or red pilot light to indicate power on.
- ~ Includes 15A, 125VAC circuit breaker to prevent accidental line overload.
- ~ Panel dimensions are 1.75" high (1U) and 19" rack width.
- ~ CSA certified.
- ~ UL recognized - under the component program of UL.
- ~ For surge protected panels incorporating our ZT206 module:
 - 8,000 Amp rated MOV's, two ferrite rod inductors & filter capacitor provide surge suppression and EMI/RFI noise protection
 - Maximum 24,000 Amps transient current
 - 330V UL 1449 rating
 - Response time of less than 1 nanosecond
 - Protection in all 3 AC modes
 - Voltage suppression at the outlet guards against transients from equipment on the power bar



15 Amp - Rack Mount Power Panels

15 Amp Rack Mount Power Panels (Front Receptacles)

| Part No. | Outlets | On-Off Switch | Pilot Light | Cord Length | Plug Type | Color | Dimensions (Inches) L x W x H | Electrical Rating | Shipping Weight |
|------------|---------|---------------|-------------|-------------|------------|-------|----------------------------------|-------------------|-----------------|
| 1582H6A1 | 6 | Yes | - | 6' | Straight | Grey | 19 x 3 x 1.75 | 120VAC / 15A | 4 lbs |
| 1582H6A1BK | 6 | Yes | - | 6' | Straight | Black | 19 x 3 x 1.75 | 120VAC / 15A | 4 lbs |
| 1582H6B1 | 6 | Yes | - | 15' | Straight | Grey | 19 x 3 x 1.75 | 120VAC / 15A | 4 lbs |
| 1582H6B1BK | 6 | Yes | - | 15' | Straight | Black | 19 x 3 x 1.75 | 120VAC / 15A | 4 lbs |
| 1582H6C1 | 6 | Yes | - | 6' | Twist Lock | Grey | 19 x 3 x 1.75 | 120VAC / 15A | 4 lbs |
| 1582H6C1BK | 6 | Yes | - | 6' | Twist Lock | Black | 19 x 3 x 1.75 | 120VAC / 15A | 4 lbs |
| 1582H6D1 | 6 | Yes | - | 15' | Twist Lock | Grey | 19 x 3 x 1.75 | 120VAC / 15A | 4 lbs. |
| 1582H6D1BK | 6 | Yes | - | 15' | Twist Lock | Black | 19 x 3 x 1.75 | 120VAC / 15A | 4 lbs. |
| 1582H8A1 | 8 | Yes | - | 6' | Straight | Grey | 19 x 3 x 1.75 | 120VAC / 15A | 4 lbs |
| 1582H8A1BK | 8 | Yes | - | 6' | Straight | Black | 19 x 3 x 1.75 | 120VAC / 15A | 4 lbs |
| 1582H8B1 | 8 | Yes | - | 15' | Straight | Grey | 19 x 3 x 1.75 | 120VAC / 15A | 4 lbs |
| 1582H8B1BK | 8 | Yes | - | 15' | Straight | Black | 19 x 3 x 1.75 | 120VAC / 15A | 4 lbs |
| 1582H8C1 | 8 | Yes | - | 6' | Twist Lock | Grey | 19 x 3 x 1.75 | 120VAC / 15A | 4 lbs |
| 1582H8C1BK | 8 | Yes | - | 6' | Twist Lock | Black | 19 x 3 x 1.75 | 120VAC / 15A | 4 lbs |
| 1582H8D1 | 8 | Yes | - | 15' | Twist Lock | Grey | 19 x 3 x 1.75 | 120VAC / 15A | 4 lbs. |
| 1582H8D1BK | 8 | Yes | - | 15' | Twist Lock | Black | 19 x 3 x 1.75 | 120VAC / 15A | 4 lbs. |
| 1582T6A1 | 6 | - | Yes | 6' | Straight | Grey | 19 x 3 x 1.75 | 120VAC / 15A | 4 lbs |
| 1582T6A1BK | 6 | - | Yes | 6' | Straight | Black | 19 x 3 x 1.75 | 120VAC / 15A | 4 lbs |
| 1582T6B1 | 6 | - | Yes | 15' | Straight | Grey | 19 x 3 x 1.75 | 120VAC / 15A | 4 lbs |
| 1582T6B1BK | 6 | - | Yes | 15' | Straight | Black | 19 x 3 x 1.75 | 120VAC / 15A | 4 lbs |
| 1582T6C1 | 6 | - | Yes | 6' | Twist Lock | Grey | 19 x 3 x 1.75 | 120VAC / 15A | 4 lbs |
| 1582T6C1BK | 6 | - | Yes | 6' | Twist Lock | Black | 19 x 3 x 1.75 | 120VAC / 15A | 4 lbs |
| 1582T6D1 | 6 | - | Yes | 15' | Twist Lock | Grey | 19 x 3 x 1.75 | 120VAC / 15A | 4 lbs. |
| 1582T6D1BK | 6 | - | Yes | 15' | Twist Lock | Black | 19 x 3 x 1.75 | 120VAC / 15A | 4 lbs. |
| 1582T8A1 | 8 | - | Yes | 6' | Straight | Grey | 19 x 3 x 1.75 | 120VAC / 15A | 4 lbs |
| 1582T8A1BK | 8 | - | Yes | 6' | Straight | Black | 19 x 3 x 1.75 | 120VAC / 15A | 4 lbs |
| 1582T8B1 | 8 | - | Yes | 15' | Straight | Grey | 19 x 3 x 1.75 | 120VAC / 15A | 4 lbs |
| 1582T8B1BK | 8 | - | Yes | 15' | Straight | Black | 19 x 3 x 1.75 | 120VAC / 15A | 4 lbs |
| 1582T8C1 | 8 | - | Yes | 6' | Twist Lock | Grey | 19 x 3 x 1.75 | 120VAC / 15A | 4 lbs |
| 1582T8C1BK | 8 | - | Yes | 6' | Twist Lock | Black | 19 x 3 x 1.75 | 120VAC / 15A | 4 lbs |
| 1582T8D1 | 8 | - | Yes | 15' | Twist Lock | Grey | 19 x 3 x 1.75 | 120VAC / 15A | 4 lbs |
| 1582T8D1BK | 8 | - | Yes | 15' | Twist Lock | Black | 19 x 3 x 1.75 | 120VAC / 15A | 4 lbs |

15 Amp Rack Mount Power Panels (Front Receptacles) With Surge Protection

| Part No. | Outlets | On-Off Switch | Pilot Light | Cord Length | Plug Type | Color | Dimensions (Inches) L x W x H | Electrical Rating | Shipping Weight |
|-------------|---------|---------------|-------------|-------------|------------|-------|----------------------------------|-------------------|-----------------|
| 1582H6A1S | 6 | Yes | - | 6' | Straight | Grey | 19 x 3 x 1.75 | 120VAC / 15A | 4 lbs |
| 1582H6A1SBK | 6 | Yes | - | 6' | Straight | Black | 19 x 3 x 1.75 | 120VAC / 15A | 4 lbs |
| 1582H6B1S | 6 | Yes | - | 15' | Straight | Grey | 19 x 3 x 1.75 | 120VAC / 15A | 4 lbs |
| 1582H6B1SBK | 6 | Yes | - | 15' | Straight | Black | 19 x 3 x 1.75 | 120VAC / 15A | 4 lbs |
| 1582H6C1S | 6 | Yes | - | 6' | Twist Lock | Grey | 19 x 3 x 1.75 | 120VAC / 15A | 4 lbs |
| 1582H6C1SBK | 6 | Yes | - | 6' | Twist Lock | Black | 19 x 3 x 1.75 | 120VAC / 15A | 4 lbs |
| 1582H6D1S | 6 | Yes | - | 15' | Twist Lock | Grey | 19 x 3 x 1.75 | 120VAC / 15A | 4 lbs |
| 1582H6D1SBK | 6 | Yes | - | 15' | Twist Lock | Black | 19 x 3 x 1.75 | 120VAC / 15A | 4 lbs |

EUROPE

Basingstoke, UK 01256 812812

AUSTRALIA

Queenstown SA, Australia 61-8-8240-2244



CANADA

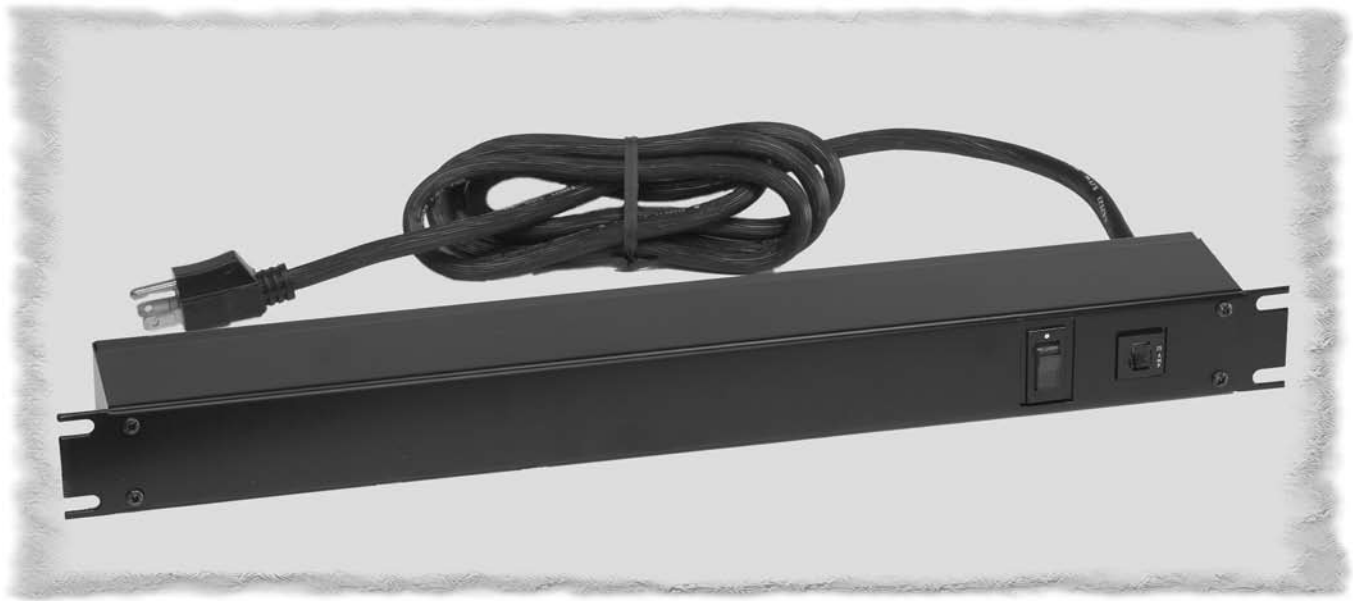
Guelph, Ontario (519) 822-2960
St. Laurent, Quebec (514) 343-9010

USA

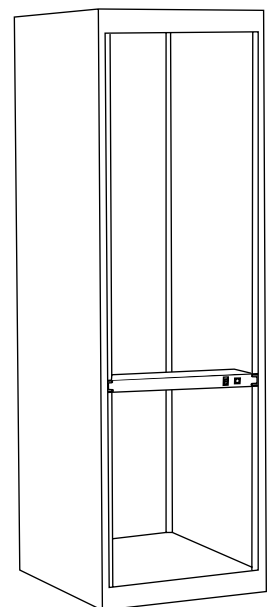
Cheektowaga, NY (716) 630-7030



15 Amp - Rack Mount Power Panels



- ~ Designed for power distribution from rear of unit.
- ~ Tough steel case available in ASA 61 grey or black powder coat finish.
- ~ Heavy-duty 14 gauge wire power cord – 14/3 SJTW for extreme temperature ranges.
- ~ Integral molded plug available in straight blade (Nema 5-15P) or twist-lock (Nema L5-15P) configurations.
- ~ 6 outlet models include 2 outlets with extra space for clearance of most plug in transformers.
- ~ Available with lighted on/off switch or red pilot light to indicate power on.
- ~ Includes 15A, 125VAC circuit breaker to prevent accidental line overload.
- ~ Panel dimensions are 1.75" high (1U) and 19" width.
- ~ CSA certified.
- ~ UL recognized - under the component program of UL.
- ~ For surge protected panels incorporating our ZT206 module:
 - 8,000 Amp rated MOV's, two ferrite rod inductors & filter capacitor provide surge suppression and EMI/RFI noise protection
 - Maximum 24,000 Amps transient current
 - 330V UL 1449 rating
 - Response time of less than 1 nanosecond
 - Protection in all 3 AC modes
 - Voltage suppression at the outlet guards against transients from equipment on the power bar



15 Amp - Rack Mount Power Panels

15 Amp Rack Mount Power Panels (Rear Receptacles)

| Part No. | Outlets | On-Off Switch | Pilot Light | Cord Length | Plug Type | Color | Dimensions (Inches) L x W x H | Electrical Rating | Shipping Weight |
|------------|---------|---------------|-------------|-------------|------------|-------|----------------------------------|-------------------|-----------------|
| 1583H6A1 | 6 | Yes | - | 6' | Straight | Grey | 19 x 3 x 1.75 | 120VAC /15A | 4 lbs |
| 1583H6A1BK | 6 | Yes | - | 6' | Straight | Black | 19 x 3 x 1.75 | 120VAC /15A | 4 lbs |
| 1583H6B1 | 6 | Yes | - | 15' | Straight | Grey | 19 x 3 x 1.75 | 120VAC /15A | 4 lbs |
| 1583H6B1BK | 6 | Yes | - | 15' | Straight | Black | 19 x 3 x 1.75 | 120VAC /15A | 4 lbs |
| 1583H6C1 | 6 | Yes | - | 6' | Twist Lock | Grey | 19 x 3 x 1.75 | 120VAC /15A | 4 lbs |
| 1583H6C1BK | 6 | Yes | - | 6' | Twist Lock | Black | 19 x 3 x 1.75 | 120VAC /15A | 4 lbs |
| 1583H6D1 | 6 | Yes | - | 15' | Twist Lock | Grey | 19 x 3 x 1.75 | 120VAC/15A | 4 lbs |
| 1583H6D1BK | 6 | Yes | - | 15' | Twist Lock | Black | 19 x 3 x 1.75 | 120 VAC/15A | 4 lbs |
| 1583H8A1 | 8 | Yes | - | 6' | Straight | Grey | 19 x 3 x 1.75 | 120VAC /15A | 4 lbs |
| 1583H8A1BK | 8 | Yes | - | 6' | Straight | Black | 19 x 3 x 1.75 | 120VAC /15A | 4 lbs |
| 1583H8B1 | 8 | Yes | - | 15' | Straight | Grey | 19 x 3 x 1.75 | 120VAC /15A | 4 lbs |
| 1583H8B1BK | 8 | Yes | - | 15' | Straight | Black | 19 x 3 x 1.75 | 120VAC /15A | 4 lbs |
| 1583H8C1 | 8 | Yes | - | 6' | Twist Lock | Grey | 19 x 3 x 1.75 | 120VAC /15A | 4 lbs |
| 1583H8C1BK | 8 | Yes | - | 6' | Twist Lock | Black | 19 x 3 x 1.75 | 120VAC /15A | 4 lbs |
| 1583H8D1 | 8 | Yes | - | 15' | Twist Lock | Grey | 19 x 3 x 1.75 | 120VAC /15A | 4 lbs |
| 1583H8D1BK | 8 | Yes | - | 15' | Twist Lock | Black | 19 x 3 x 1.75 | 120VAC /15A | 4 lbs |
| 1583T6A1 | 6 | - | Yes | 6' | Straight | Grey | 19 x 3 x 1.75 | 120VAC /15A | 4 lbs |
| 1583T6A1BK | 6 | - | Yes | 6' | Straight | Black | 19 x 3 x 1.75 | 120VAC /15A | 4 lbs |
| 1583T6B1 | 6 | - | Yes | 15' | Straight | Grey | 19 x 3 x 1.75 | 120VAC /15A | 4 lbs |
| 1583T6B1BK | 6 | - | Yes | 15' | Straight | Black | 19 x 3 x 1.75 | 120VAC /15A | 4 lbs |
| 1583T6C1 | 6 | - | Yes | 6' | Twist Lock | Grey | 19 x 3 x 1.75 | 120VAC /15A | 4 lbs |
| 1583T6C1BK | 6 | - | Yes | 6' | Twist Lock | Black | 19 x 3 x 1.75 | 120VAC /15A | 4 lbs |
| 1583T6D1 | 6 | - | Yes | 15' | Twist Lock | Grey | 19 x 3 x 1.75 | 120VAC /15A | 4 lbs |
| 1583T6D1BK | 6 | - | Yes | 15' | Twist Lock | Black | 19 x 3 x 1.75 | 120VAC /15A | 4 lbs |
| 1583T8A1 | 8 | - | Yes | 6' | Straight | Grey | 19 x 3 x 1.75 | 120VAC /15A | 4 lbs |
| 1583T8A1BK | 8 | - | Yes | 6' | Straight | Black | 19 x 3 x 1.75 | 120VAC /15A | 4 lbs |
| 1583T8B1 | 8 | - | Yes | 15' | Straight | Grey | 19 x 3 x 1.75 | 120VAC /15A | 4 lbs |
| 1583T8B1BK | 8 | - | Yes | 15' | Straight | Black | 19 x 3 x 1.75 | 120VAC /15A | 4 lbs |
| 1583T8C1 | 8 | - | Yes | 6' | Twist Lock | Grey | 19 x 3 x 1.75 | 120VAC /15A | 4 lbs |
| 1583T8C1BK | 8 | - | Yes | 6' | Twist Lock | Black | 19 x 3 x 1.75 | 120VAC /15A | 4 lbs |
| 1583T8D1 | 8 | - | Yes | 15' | Twist Lock | Grey | 19 x 3 x 1.75 | 120VAC /15A | 4 lbs |
| 1583T8D1BK | 8 | - | Yes | 15' | Twist Lock | Black | 19 x 3 x 1.75 | 120VAC /15A | 4 lbs |

15 Amp Rack Mount Power Panels (Rear Receptacles) With Surge Protection

| Part No. | Outlets | On-Off Switch | Pilot Light | Cord Length | Plug Type | Color | Dimensions (Inches) L x W x H | Electrical Rating | Shipping Weight |
|-------------|---------|---------------|-------------|-------------|------------|-------|----------------------------------|-------------------|-----------------|
| 1583H6A1S | 6 | Yes | - | 6' | Straight | Grey | 19 x 3 x 1.75 | 120VAC /15A | 4 lbs |
| 1583H6A1SBK | 6 | Yes | - | 6' | Straight | Black | 19 x 3 x 1.75 | 120VAC /15A | 4 lbs |
| 1583H6B1S | 6 | Yes | - | 15' | Straight | Grey | 19 x 3 x 1.75 | 120VAC /15A | 4 lbs |
| 1583H6B1SBK | 6 | Yes | - | 15' | Straight | Black | 19 x 3 x 1.75 | 120VAC /15A | 4 lbs |
| 1583H6C1S | 6 | Yes | - | 6' | Twist Lock | Grey | 19 x 3 x 1.75 | 120VAC /15A | 4 lbs |
| 1583H6C1SBK | 6 | Yes | - | 6' | Twist Lock | Black | 19 x 3 x 1.75 | 120VAC /15A | 4 lbs |
| 1583H6D1S | 6 | Yes | - | 15' | Twist Lock | Grey | 19 x 3 x 1.75 | 120VAC /15A | 4 lbs |
| 1583H6D1SBK | 6 | Yes | - | 15' | Twist Lock | Black | 19 x 3 x 1.75 | 120VAC /15A | 4 lbs |

EUROPE

Basingstoke, UK 01256 812812

AUSTRALIA

Queenstown SA, Australia 61-8-8240-2244



CANADA

Guelph, Ontario (519) 822-2960
St. Laurent, Quebec (514) 343-9010

USA

Cheektowaga, NY (716) 630-7030



15 Amp - Rack Mount Power Panels



- ~ Receptacles turned 90°
- ~ Designed for power distribution from front or rear of unit.
- ~ Tough steel case available in a black powder coat finish.
- ~ Heavy-duty power cord – 14/3 SJTW for extreme temperature ranges.
- ~ Integral molded straight-blade (NEMA 5-15P) or twist lock (NEMA L5-15P) configuration.
- ~ Available with lighted on/off switch or red pilot light to indicate power on.
- ~ Includes 15A, 125VAC circuit breaker to prevent accidental line overload.
- ~ CSA certified.
- ~ UL recognized - under the component program of UL.



15 Amp Rack Mount Power Panels with 90° Receptacles

| Part No. | Outlets | Outlet Location | On-Off Switch | Pilot Light | Plug Type | Cord Length | Dimensions (Inches) LxWxH | Electrical Rating | Shipping Weight |
|------------------------------|---------|-----------------|---------------|-------------|------------|-------------|---------------------------|-------------------|-----------------|
| 1582H6A1BKRA | 6 | Front | Yes | - | Straight | 6' | 19 x 3 x 1.75 | 120VAC/15A | 4 lbs |
| 1582H6B1BKRA | 6 | Front | Yes | - | Straight | 15' | 19 x 3 x 1.75 | 120VAC/15A | 4 lbs |
| 1582H6C1BKRA | 6 | Front | Yes | - | Twist Lock | 6' | 19 x 3 x 1.75 | 120VAC/15A | 4 lbs |
| 1582H6D1BKRA | 6 | Front | Yes | - | Twist Lock | 15' | 19 x 3 x 1.75 | 120VAC/15A | 4 lbs |
| 1582T6A1BKRA | 6 | Front | - | Yes | Straight | 6' | 19 x 3 x 1.75 | 120VAC/15A | 4 lbs |
| 1582T6B1BKRA | 6 | Front | - | Yes | Straight | 15' | 19 x 3 x 1.75 | 120VAC/15A | 4 lbs |
| 1582T6C1BKRA | 6 | Front | - | Yes | Twist Lock | 6' | 19 x 3 x 1.75 | 120VAC/15A | 4 lbs |
| 1582T6D1BKRA | 6 | Front | - | Yes | Twist Lock | 15' | 19 x 3 x 1.75 | 120VAC/15A | 4 lbs |
| 1583H6A1BKRA | 6 | Rear | Yes | - | Straight | 6' | 19 x 3 x 1.75 | 120VAC/15A | 4 lbs |
| 1583H6B1BKRA | 6 | Rear | Yes | - | Straight | 15' | 19 x 3 x 1.75 | 120VAC/15A | 4 lbs |
| 1583H6C1BKRA | 6 | Rear | Yes | - | Twist Lock | 6' | 19 x 3 x 1.75 | 120VAC/15A | 4 lbs |
| 1583H6D1BKRA | 6 | Rear | Yes | - | Twist Lock | 15' | 19 x 3 x 1.75 | 120VAC/15A | 4 lbs |
| 1583T6A1BKRA | 6 | Rear | - | Yes | Straight | 6' | 19 x 3 x 1.75 | 120VAC/15A | 4 lbs |
| 1583T6B1BKRA | 6 | Rear | - | Yes | Straight | 15' | 19 x 3 x 1.75 | 120VAC/15A | 4 lbs |
| 1583T6C1BKRA | 6 | Rear | - | Yes | Twist Lock | 6' | 19 x 3 x 1.75 | 120VAC/15A | 4 lbs |
| 1583T6D1BKRA | 6 | Rear | - | Yes | Twist Lock | 15' | 19 x 3 x 1.75 | 120VAC/15A | 4 lbs |

20 Amp - Rack Mount Power Panels

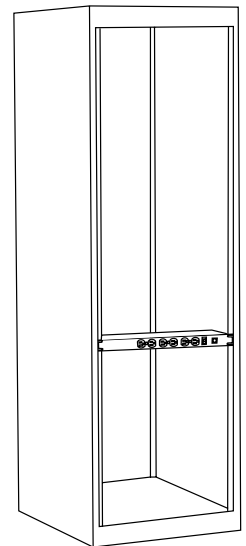


- ~ Designed for power distribution from front or rear of unit.
- ~ Tough steel case painted in black powder coat finish.
- ~ Heavy-duty power cord – 12/3 SJTW for extreme temperature ranges.
- ~ Integral molded plug available in straight blade (Nema 5-20P) or twist-lock (Nema L5-20P) configurations.
- ~ Available with on/off switch or red pilot light to indicate power on.
- ~ Includes 20A, 125VAC circuit breaker to prevent accidental line overload.
- ~ CSA certified.
- ~ UL recognized - under the component program of UL.



20 Amp Rack Mount (Front Receptacles)

| Part No. | Outlets | On-Off Switch | Pilot Light | Cord Length | Plug Type | Dimensions (Inches) | Electrical Rating | Shipping Weight |
|------------------------------|---------|---------------|-------------|-------------|------------|---------------------|-------------------|-----------------|
| 1589H6C1BKRF | 6 | Yes | - | 6' | Twist Lock | 19 x 3 x 1.75 | 120VAC/20A | 4.2 lbs |
| 1589H6D1BKRF | 6 | Yes | - | 15' | Twist Lock | 19 x 3 x 1.75 | 120VAC/20A | 4.5 lbs |
| 1589H6F1BKRF | 6 | Yes | - | 6' | Straight | 19 x 3 x 1.75 | 120VAC/20A | 4.0 lbs |
| 1589H6G1BKRF | 6 | Yes | - | 15' | Straight | 19 x 3 x 1.75 | 120VAC/20A | 4.5 lbs |
| 1589T6C1BKRF | 6 | - | Yes | 6' | Twist Lock | 19 x 3 x 1.75 | 120VAC/20A | 4.2 lbs |
| 1589T6D1BKRF | 6 | - | Yes | 15' | Twist Lock | 19 x 3 x 1.75 | 120VAC/20A | 4.5 lbs |
| 1589T6F1BKRF | 6 | - | Yes | 6' | Straight | 19 x 3 x 1.75 | 120VAC/20A | 4.0 lbs |
| 1589T6G1BKRF | 6 | - | Yes | 15' | Straight | 19 x 3 x 1.75 | 120VAC/20A | 4.5 lbs |



20 Amp Rack Mount (Rear Receptacles)

| Part No. | Outlets | On-Off Switch | Pilot Light | Cord Length | Plug Type | Dimensions (Inches) | Electrical Rating | Shipping Weight |
|------------------------------|---------|---------------|-------------|-------------|------------|---------------------|-------------------|-----------------|
| 1589H6C1BKRR | 6 | Yes | - | 6' | Twist Lock | 19 x 3 x 1.75 | 120VAC/20A | 4.2 lbs |
| 1589H6D1BKRR | 6 | Yes | - | 15' | Twist Lock | 19 x 3 x 1.75 | 120VAC/20A | 4.5 lbs |
| 1589H6F1BKRR | 6 | Yes | - | 6' | Straight | 19 x 3 x 1.75 | 120VAC/20A | 4.0 lbs |
| 1589H6G1BKRR | 6 | Yes | - | 15' | Straight | 19 x 3 x 1.75 | 120VAC/20A | 4.5 lbs |
| 1589T6C1BKRR | 6 | - | Yes | 6' | Twist Lock | 19 x 3 x 1.75 | 120VAC/20A | 4.2 lbs |
| 1589T6D1BKRR | 6 | - | Yes | 15' | Twist Lock | 19 x 3 x 1.75 | 120VAC/20A | 4.5 lbs |
| 1589T6F1BKRR | 6 | - | Yes | 6' | Straight | 19 x 3 x 1.75 | 120VAC/20A | 4.0 lbs |
| 1589T6G1BKRR | 6 | - | Yes | 15' | Straight | 19 x 3 x 1.75 | 120VAC/20A | 4.5 lbs |

Accessories

EUROPE

Basingstoke, UK 01256 812812

AUSTRALIA

Queenstown SA, Australia 61-8-8240-2244



CANADA

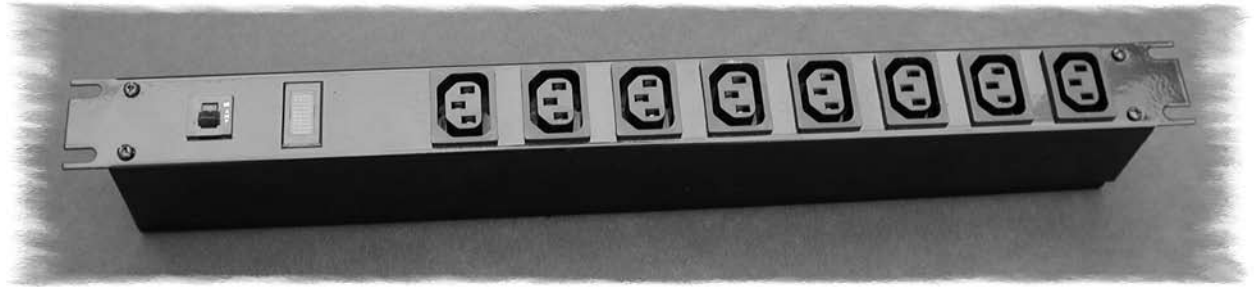
Guelph, Ontario (519) 822-2960
St. Laurent, Quebec (514) 343-9010

USA

Cheektowaga, NY (716) 630-7030



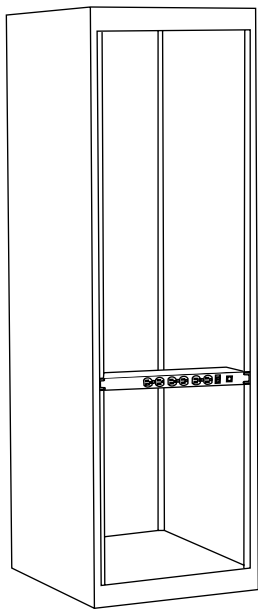
International - Rack Mount Power Panels

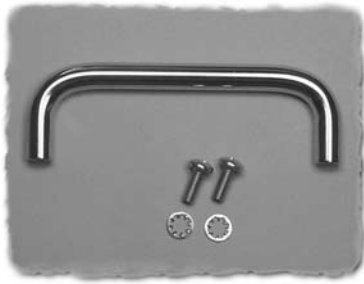


- ~ Designed for use with IEC power cords.
- ~ All steel housing with black powder coat finish.
- ~ 1 IEC 320 inlet, and 8 IEC 320 outlets.
- ~ Standard 19" rack mount
- ~ Designed for power distribution from front of unit.
- ~ Includes 10A, 220VAC circuit breaker to prevent accidental line overload.
- ~ UL pending.
- ~ CSA Certified.
- ~ TÜV certification pending.

International Rack Mount Power Panels

| Part No. | Outlets | Receptacle Location | Inlet Location | On-Off Switch | Pilot Light | Dimensions (Inches) | Electrical Rating | Shipping Weight |
|------------|---------|---------------------|----------------|---------------|-------------|---------------------|-------------------|-----------------|
| 1582H8E1BK | 8 | Front | Rear | Yes | - | 19 x 3 x 2 | 220VAC/10A | 4.0 lbs |
| 1582T8E1BK | 8 | Front | Rear | - | Yes | 19 x 3 x 2 | 220VAC/10A | 4.0 lbs |
| 1583H8E1BK | 8 | Rear | Rear | Yes | - | 19 x 3 x 2 | 220VAC/10A | 4.0 lbs |
| 1583T8E1BK | 8 | Rear | Rear | - | Yes | 19 x 3 x 2 | 220VAC/10A | 4.0 lbs |

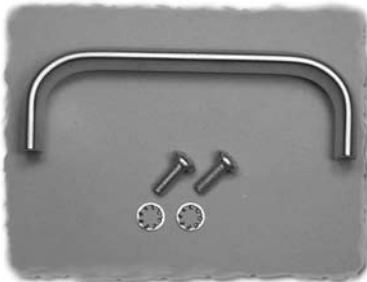




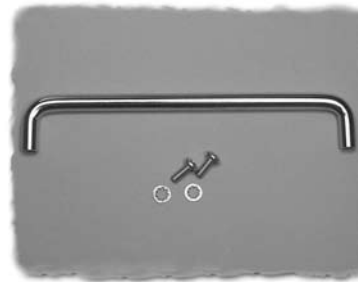
- 1427C1**
- 4" (102mm) hole to hole mounting centers
 - 4.4" (111mm) length
 - 1.3" (33mm) height
 - 3/8" (9.5mm) diameter round bright nickel finished brass
 - 10-32 hardware included
 - thread depth is 9/16" (14.3mm)



- 1427C6**
- 2.7" (70mm) hole to hole mounting centers
 - 3.5" (89mm) length
 - 1.5" (38mm) height
 - clear anodized satin finish aluminum
 - 8-32 hardware included
 - thread depth is 7/16" (11.11mm)



- 1427C2**
- 4" (102mm) hole to hole mounting centers
 - 4.4" (111mm) length
 - 1.3" (33mm) height
 - 5/8" x 9/32" (15.9 x 7.14mm) oval, satin nickel finished brass
 - 10-32 hardware included
 - thread depth is 1/2" (12.7mm)



- 1427L**
- 7" (178mm) hole to hole mounting centers
 - 7.4" (187mm) length
 - 1.2" (30mm) height
 - chrome plated steel
 - 10-32 hardware included
 - .375" (10mm) diameter



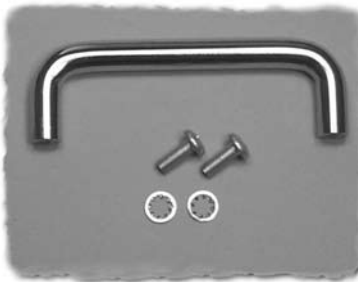
- 1427C4**
- 4.4" (111mm) hole to hole mounting centers
 - 5" (127mm) length
 - 1" (25mm) height
 - black anodized satin finish aluminum
 - 8-32 hardware included
 - thread depth is 3/8" (9.5mm)



- 1427M**
- 5.3" (133mm) hole to hole mounting centers
 - 5.6" (141mm) length
 - 1.2" (30mm) height
 - chrome plated steel
 - 10-32 hardware included
 - .375" (10mm) diameter



- 1427C5**
- 4" (102mm) hole to hole mounting centers
 - 4.2" (108mm) length
 - 1.3" (34mm) height
 - 1/4" x 7/8" (6.35 x 22.2mm) rectangular, clear anodized brushed finish aluminum
 - 8-32 hardware included
 - thread depth is 7/16" (11.11mm)



- 1427N**
- 3.5" (89mm) hole to hole mounting centers
 - 3.9" (99mm) length
 - 1.2" (30mm) height
 - chrome plated steel
 - 10-32 hardware included
 - .375" (10mm) diameter

EUROPE

Basingstoke, UK 01256 812812

AUSTRALIA

Queenstown SA, Australia 61-8-8240-2244



CANADA

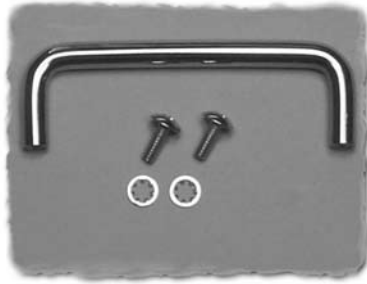
Guelph, Ontario (519) 822-2960
St. Laurent, Quebec (514) 343-9010

USA

Cheektowaga, NY (716) 630-7030

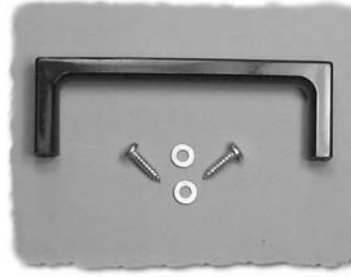


Handles



1427P

- 2.8" (71mm) hole to hole mounting centers
- 3" (76mm) length
- .95" (24mm) height
- chrome plated steel
- 6-32 hardware included
- .25" (6mm) diameter



M250-1003

- 4" (102mm) hole to hole mounting centers
- 4.4" (111mm) length
- 1.4" (36mm) height
- black nylon carry handle
- 55 lb. load capacity
- hardware included
- .52" (13mm) diameter



1427Q

- 2.3" (58mm) hole to hole mounting centers
- 2.5" (64mm) length
- .95" (24mm) height
- chrome plated steel
- 6-32 hardware included
- .25" (6mm) diameter



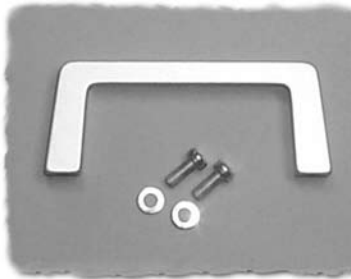
M250-1393

- 5.6" (141mm) hole to hole mounting centers
- 6.1" (154mm) length
- 1.7" (42mm) height
- black nylon carry handle
- 132 lb. load capacity
- hardware included
- .79" (20mm) diameter



M286-6

- 3.9" (99mm) hole to hole mounting centers
- 4.6" (118mm) length
- 1.7" (42mm) height
- spring-locked, chrome plated steel folding handle
- carry capacity of 220 lbs. (100kg) per pair
- hardware included
- sold in pairs



M268-2

- 3.5" (88mm) hole to hole mounting centers
- 4" (102mm) length
- 1.6" (40mm) height
- matte anodized aluminum handle
- hardware included
- .48" (12mm) diameter



M250-663

- 2.7" (67mm) hole to hole mounting centers
- 3" (75mm) length
- 1.3" (32mm) height
- black nylon carry handles
- hardware included



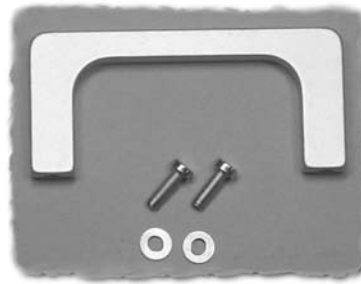
M268-3

- 4.8" (121mm) hole to hole mounting centers
- 5.3" (134mm) length
- 1.6" (40mm) height
- matte anodized aluminum handle
- hardware included
- .48" (12mm) diameter



M268-4

- 7.1" (181mm) hole to hole mounting centers
- 7.6" (194mm) length
- 1.6" (40mm) height
- matte anodized aluminum handle
- hardware included
- .48" (12mm) diameter



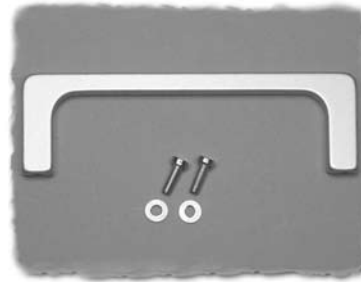
M3299-1231

- 3" (75mm) hole to hole mounting centers
- 3.4" (87mm) length
- 1.6" (40mm) height
- matte anodized aluminum handle
- hardware included
- .30" (8mm) diameter



M268-5

- 9.3" (237mm) hole to hole mounting centers
- 9.8" (249mm) length
- 1.6" (40mm) height
- matte anodized aluminum handle
- hardware included
- .48" (12mm) diameter



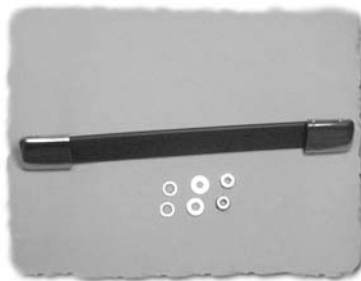
M3299-1301

- 4.7" (119mm) hole to hole mounting centers
- 5.2" (131mm) length
- 1.6" (40mm) height
- matte anodized aluminum handle
- hardware included
- .30" (8mm) diameter



1427F

- 3.7" (94mm) hole to hole mounting centers
- 4.9" (124mm) length
- 2.2" (56mm) height
- black, scratch resistant, light weight polystyrene handle
- 60 lb. load capacity
- nickel plated steel support posts
- hardware included
- .43" (11mm) diameter



1427J

- 8.5" (216mm) long
- .77" (20mm) width
- .19" (5mm) height
- 7.25" (184mm) mounting centers
- chrome caps on a fluted soft vinyl strap with a spring steel core
- 50 lb. load capacity
- hardware included



M3299-1131

- 1.3" (32mm) hole to hole mounting centers
- 1.7" (42mm) length
- 1.6" (40mm) height
- matte anodized aluminum handle
- hardware included
- .30" (8mm) diameter



1427K

- 5" (128mm) length
- 3.5" (90mm) height
- .68" (17mm) depth
- black plastic tray with grey plastic folding handle
- handle is 4.1" (104mm) wide and 2.5" (63mm) high
- steady load capacity of 75 lbs. per handle
- simple installation: secured by 2 clips (included)

EUROPE

Basingstoke, UK 01256 812812

AUSTRALIA

Queenstown SA, Australia 61-8-8240-2244



CANADA

Guelph, Ontario (519) 822-2960
St. Laurent, Quebec (514) 343-9010

USA

Cheektowaga, NY (716) 630-7030



Handles, Feet & Cable Wraps



M262-01

- 5.9" (150mm) length
- 4.1" (105mm) height
- .65" (17mm) depth
- galvanized steel, flush mount screw down tray
- polished aluminum handle
- handle is 4.7" (120mm) wide and 3" (77mm) high
- steady load capacity of 330 lbs. per pair
- hardware included
- sold in pairs



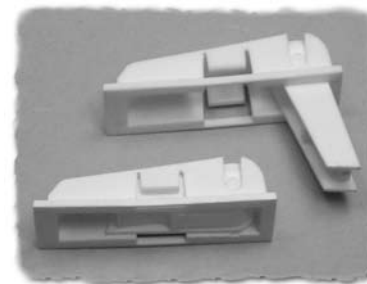
M3784-7001

- 2.6" (67mm) length (in closed position)
- 1.8" (46mm) height (in open position)
- black polyamide spring locked folding legs
- hardware included
- sold in pairs



M263-1

- 5.1" (130mm) length
- 3.6" (91mm) height
- .79" (20mm) depth
- black steel tray
- folding, spring loaded polished steel handle
- handle is 4" (102mm) wide and 2.3" (59mm) high
- steady load capacity of 275 lbs. per pair
- hardware not included
- sold in pairs



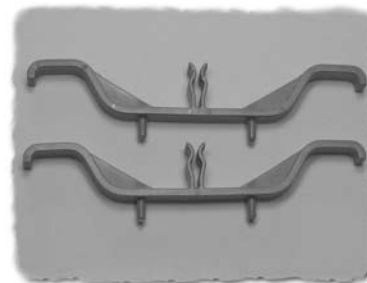
1427X

- 2.5" (63mm) length (in closed position)
- 1.35" (34mm) height (in open position)
- white ABS plastic folding legs
- sold in pairs



M3255-2001

- 7.6" (194mm) length
- 3" (76mm) height
- .83" (21mm) depth
- silver steel tray
- folding black matte handle
- handle is 6.4" (164mm) wide and 2.3" (59mm) high
- carry capacity of 220 lbs. per pair
- hardware not included
- sold in pairs



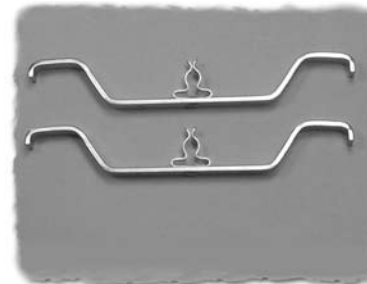
M795

- 4.8" (122mm) overall length
- grey plastic cord wrap
- simple installation: secured by two clips each (included)
- sold in pairs



M797-24

- 1.1" (27mm) length
- .64" (16mm) height
- .55" (14mm) depth
- black polyamide fixed rear legs
- hardware included
- sold in pairs



M795-2

- 5" (126mm) overall length
- zinc plated cord wrap
- mounting hardware not included
- sold in pairs



Part #: **1421**
(package of 4 screws & 4 metal cup washers)

- 10-32 x 0.625"
- Slotted oval head screws
- Steel cup washers (0.60" outside diameter)
- Nickel plated



Part #: **1421E25W**
(package of 25)
Part #: **1421E100W**
(package of 100)

- Metal cup washers
- 0.60" outside diameter
- Use with 10-32 countersunk screws
- Nickel plated



Part #: **1421A**
(package of 4 screws & 4 plastic cup washers)

- 10-32 x 0.625"
- Slotted & phillips combination oval head screws
- Nickel plated screws
- Black plastic cup washers (0.58" outside diameter)



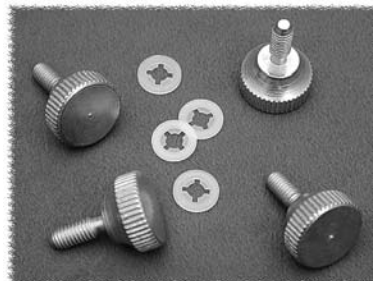
Part #: **1421A25W**
(package of 25)
Part #: **1421A100W**
(package of 100)

- Black plastic cup washers
- 0.58" outside diameter
- Use with 10-32 countersunk screws



Part #: **1421A25B**
(package of 25)
Part #: **1421A100B**
(package of 100)

- 10-32 x 0.625"
- Slotted & phillips combination oval head screws
- Nickel plated



Part #: **1421B**
(package of 4 screws & 4 nylon washers)

- 10-32 x 0.5" thumb screws
- With captivated nylon washers
- Nickel plated
- Works with panels up to 0.09" thick
- Head is 0.62" dia. x 0.37" high



Part #: **1421F25**
(package of 25)

- 10-32 x 1.25"
- Phillips oval head screws
- Nickel plated



Part #: **1421D**
(package of 25)

- 10-32 x 0.5"
- Slotted & phillips combination pan head screws
- Use where economy is important OR for close panel spacing.
- Zinc plated

EUROPE

Basingstoke, UK 01256 812812

AUSTRALIA

Queenstown SA, Australia 61-8-8240-2244



CANADA

Guelph, Ontario (519) 822-2960
St. Laurent, Quebec (514) 343-9010

USA

Cheektowaga, NY (716) 630-7030





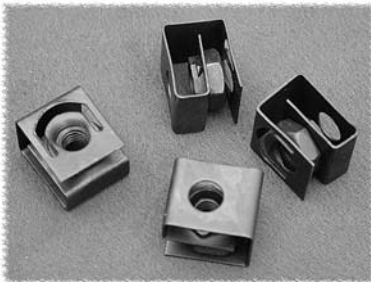
Part #: **H1224S20**
(package of 20 screws)

- 12-24 x 5/8"
- Slotted & Phillips combination pan head screws
- Zinc plated
- Used mainly on our aluminum open relay racks (RRAL series)



Part #: **1421CNC25**
(package of 25)
Part #: **1421CNC100**
(package of 100)

- 12-24 cage nuts
- **USE ON SQUARE HOLE PUNCHED RAILS ONLY**
- Has the holding strength of a 12-24 nut
- Zinc plated



Part #: **1421N25**
(package of 25)
Part #: **1421N100**
(package of 100)

- 10-32 clip nuts
- **USE ON ROUND HOLE PUNCHED RAILS ONLY**
- Has the holding strength of a 10-32 nut
- Black finish



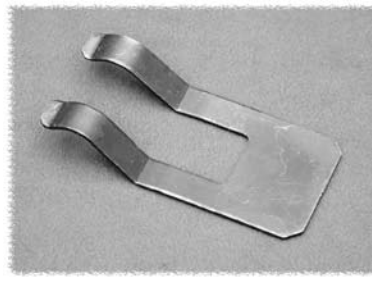
Part #: **1421CNB25**
(package of 25)
Part #: **1421CNB100**
(package of 100)

- M6 cage nuts
- **USE ON SQUARE HOLE PUNCHED RAILS ONLY**
- Has the holding strength of a M6 nut
- Zinc plated



Part #: **1421NP25**
(package of 25)
Part #: **1421NP100**
(package of 100)

- 10-32 clip nuts
- **USE ON ROUND HOLE PUNCHED RAILS ONLY**
- Has the holding strength of a 10-32 nut
- Zinc plated



Part #: **RCNIT**
(cage nut insertion tool)

- Allows for easy installation of cage nuts in square rail hole
- Spring steel tool



Part #: **1421CNA25**
(package of 25)
Part #: **1421CNA100**
(package of 100)

- 10-32 cage nuts
- **USE ON SQUARE HOLE PUNCHED RAILS ONLY**
- Has the holding strength of a 10-32 nut
- Zinc plated



Part #: **1463S**
(package of 3 bolts, spring nuts & washers)

- 3/8 x 16 spring loaded nuts (for Rack "C" channels)
- 0.75" hex head bolts & washers
- used to mount one rack rail (used in racks with Amhal strut rail mounting)

CASTER APPLICATION TABLE

| Rack Series | Type | Accepts Caster Models | See Page |
|-------------|------------------------------------|-------------------------------------|----------|
| DNRR | Light Duty - Welded | 1425B, 1425BM, 1425BH | Below |
| DNRR | Light Duty - Knockdown | 1425B, 1425BM, 1425BH | Below |
| DNRR | Heavy Duty - Welded | Dolly - 1424T | 18 |
| DNRR | Heavy Duty - Knockdown | Dolly - 1424T | 18 |
| DNRR | Deep Channel - Knockdown | 1425B, 1425BM, 1425BH | Below |
| REFK | Knockdown Rack Cabinet | 1425P, 1425PHD | 31 |
| C2 | All Contempra 2 Rack Cabinets | 1425B, 1425BM, 1425BH, CCSTL, CCSTN | 47, 61 |
| C3 | Contempra 3 (NEMA 12) Rack Cabinet | CCSTL, CCSTN, C3CRS19, C3DRS24 | 75 |

LIGHT DUTY CASTERS

- **Light Duty** - 360 lbs. Mfg.'s specified weight capacity (Set of 4)
- **SEE TABLE ABOVE TO CONFIRM APPLICATION**
- Features ball bearing swivel and hard composition wheels
- Standard 3" x 1.75" hole mounting pattern - no drilling required
- Adds only 0.75" to height of cabinet by fitting up inside base of rack
- Wheels are black & 3" wheel diameter
- Includes mounting hardware
- **SOLD IN A SET OF 4**
- Part Number **1425B**



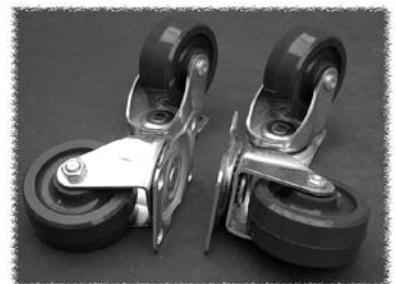
MEDIUM DUTY CASTERS

- **Medium Duty** - 700 lbs. Mfg.'s specified weight capacity (Set of 4)
- **SEE TABLE ABOVE TO CONFIRM APPLICATION**
- Features ball bearing swivel and hard composition wheels
- Standard 3" x 1.75" hole mounting pattern
- Adds only 0.75" to height of cabinet by fitting up inside base of rack
- Wheels are black & 3" wheel diameter
- Includes mounting hardware
- **SOLD IN A SET OF 4**
- Part Number **1425BM**



HEAVY DUTY CASTERS

- **Heavy Duty** - 1,050 lbs. Mfg.'s specified weight capacity (Set of 4)
- **SEE TABLE ABOVE TO CONFIRM APPLICATION**
- Features ball bearing swivel and hard composition wheels
- Standard 3" x 1.75" hole mounting pattern
- Adds only 0.75" to height of cabinet by fitting up inside base of rack
- Wheels are blue & 3" wheel diameter
- Includes mounting hardware
- **SOLD IN A SET OF 4**
- Part Number **1425BH**



Accessories

EUROPE

Basingstoke, UK 01256 812812

AUSTRALIA

Queenstown SA, Australia 61-8-8240-2244



CANADA

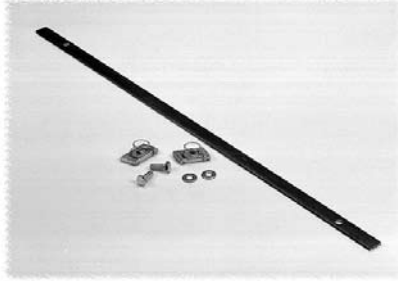
Guelph, Ontario (519) 822-2960
St. Laurent, Quebec (514) 343-9010

USA

Cheektowaga, NY (716) 630-7030



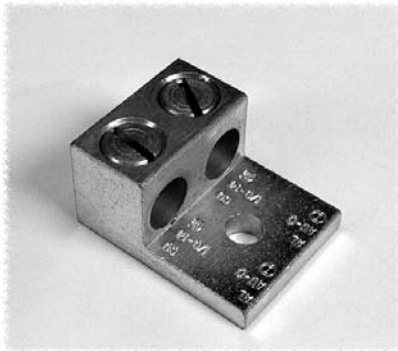
GROUND BUS BAR



- Full Length copper bar - mounts vertically 0.13" thick x 0.63" wide
- Mounts to amhal struts of "C2" Contempra racks or REFK racks
- For maximum versatility - contains no holes (other than mounting holes)
- Includes strut mounting hardware

| Part Number | Use With Rack (Panel Space) |
|-----------------------|-----------------------------|
| CBB35 | 35" |
| CBB42 | 42" |
| CBB49 | 49" |
| CBB56 | 56" |
| CBB63 | 63" |
| CBB70 | 70" |
| CBB78 | 78.75" |

GROUND LUGS



- Dual L16 type aluminum lug
- 1 1/8" wide x 1 3/16" long
- Provides excellent grounding
- Accepts wire sizes from 1/0 to 14
- Usually used in conjunction with bus bar (above)
- Packaged individually
- Mounting hardware not included (requires drilling of bus bar)

| Part Number | Package Quantity |
|----------------------|------------------|
| DNGL | 1 |

LIGHT KIT



- Designed to fit inside the cabinets
- Features a manually operated switch, 115VAC convenience outlet, durable plastic lens (replacement lens below) and 6' power cord (without plug)
- Finished in white
- CSA & UL component recognized
- Installs with 1/4-20 bolts placed through holes (user drilled) in top of cabinet (or use magnet mount below)
- Screws and sealing washers provided
- Uses standard 15 watt - 18" florescent lamps (NOT INCLUDED)
- 1 3/4" high x 4 1/2" deep
- Includes mounting hardware

| Part Number | Description |
|---------------------------|--------------------------|
| FLK18 | 18" Florescent Light Kit |
| FLK18LENS | Replacement plastic lens |

LIGHT KIT MAGNET MOUNT



- Designed to allow solid mounting of light kit (above) without drilling
- Also allows light to be easily moved within the rack
- Full length of light kit

| Part Number | Description |
|-------------------------|-------------------------------------|
| FLK18MM | Florescent light kit - magnet mount |

TOUCH UP PAINT

- For use in matching standard Hammond Mfg. colors
- Supplied in 12 oz. spray cans

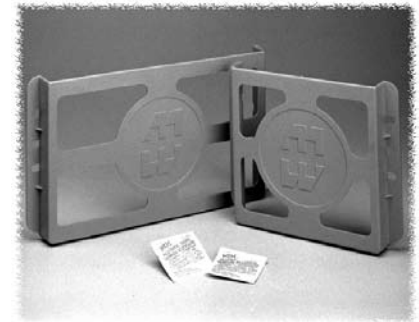
| Part Number | Color |
|-------------|-------------------|
| 1413BKLGS | Black - Low Gloss |
| 1413BKS | Black |
| 1413CGRALS | Contempra Beige |
| 1413GFS | Gulf Blue |
| 1413LRS | ASA61 Grey |
| 1413NS | White |



LITERATURE POCKET KIT

- Typically applied inside the door or side panels of the rack
- For literature storage
- Kit includes plastic pocket, high strength two-sided adhesive tape and surface preparation swab
- Plastic pocket is black

| Part Number | Height | Width |
|-------------|--------|-------|
| PKT66 | 6" | 6" |
| PKT99 | 6" | 9" |



SIDE PANEL LOCK KIT

- For higher security, the quarter turn fasteners on our side panels can be replaced with this key locking version
- Kit contains 4 quarter turn locks and 8 keys (all keyed alike)
- Good for 1 rack (ie...2 locks per side panel)

| Part Number | Use With |
|-------------|---|
| CSPQTRL | For "C2" Contempra 2 Rack Side Panels |
| C3SPQTRL | For "C3" (NEMA 12) Contempra 3 Rack Side Panels |



EXTRA CAM FLUSH LOCK

- Quarter turn fastener
- Mounts flush in a 0.760" x 0.655" double D hole or alternately a 0.75" diameter hole
- Kit contains 1 quarter turn lock and 2 keys (all keyed alike)
- Chrome plated brass housing with reversible cam

| Part Number | Use With |
|-------------|-----------------------------|
| 1427BK | Flush mount doors or panels |



EUROPE

Basingstoke, UK 01256 812812

AUSTRALIA

Queenstown SA, Australia 61-8-8240-2244



CANADA

Guelph, Ontario (519) 822-2960
St. Laurent, Quebec (514) 343-9010

USA

Cheektowaga, NY (716) 630-7030





KJJ

RCS

132



CANADA

Guelph, Ontario (519) 822-2960
St. Laurent, Quebec (514) 343-9010

USA

Cheektowaga, NY (716) 630-7030



EUROPE

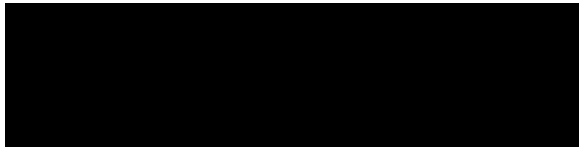
Basingstoke, UK 01256 812812

AUSTRALIA

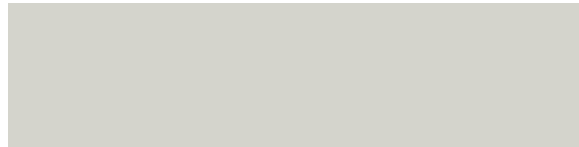
Queenstown SA, Australia 61-8-8240-2244

Product Color & Catalog Information

Racks, Rack Cabinets & Accessories:



Black (BK1 & BK2)



Beige - RAL 7032 (CG1 & CG2)



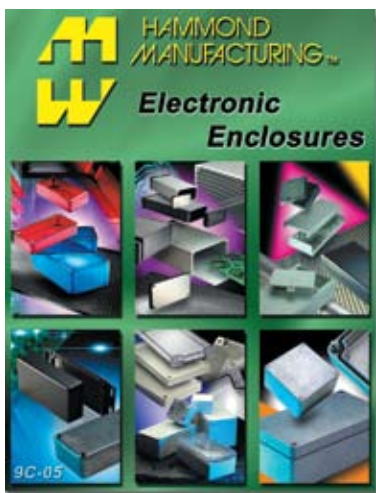
Gulf Blue (GF1)



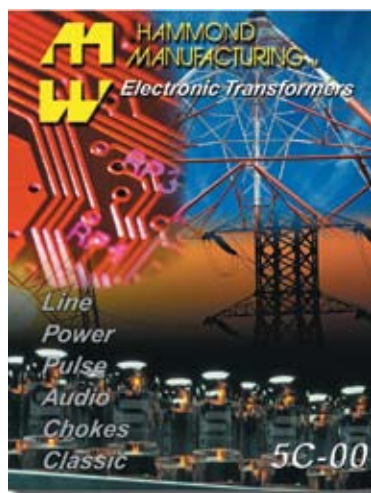
ASA 61 Grey (GY1 & GY2)

NOTE: This color chart is included for reference only. It was created with printers ink and gives only a representation of the actual colors. Textures of paint and lighting will shift appearance of colors. If precise color matching is required please contact us for actual color chip samples. Part number suffix as used in this catalog is also shown (“1” refers to textured finish, “2” refers to smooth finish).

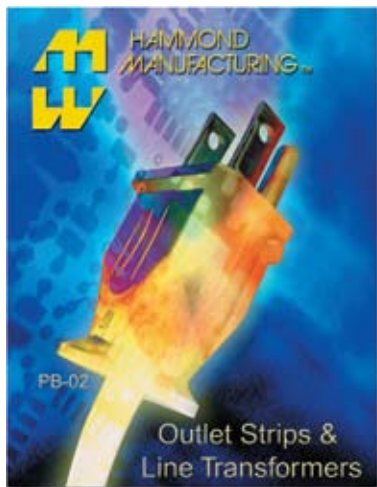
Other Hammond products & catalogs:



Electronic Enclosures
Request Catalog **9C-05**



Electronic Transformers
Request Catalog **5C-00**



Outlet Strips & Line Transformers
Request Catalog **PB-02**



Industrial Enclosures
Request Catalog **E4**



HAMMOND MANUFACTURING™



U.S.

Hammond Mfg. Co. Inc.
475 Cayuga Rd. #100
Cheektowaga, NY 14225
Phone: (716) 630-7030
Fax: (716) 630-7042

Canada

Hammond Mfg. Co. Ltd.
394 Edinburgh Road North
Guelph, Ontario N1H 1E5
Phone: (519) 822-2960
Fax: (519) 822-0715

Les Fabrications Hammond (Quebec) Inc.
4240 Seré Street
St. Laurent, Quebec H4T 1A6
Tel: (514) 343-9010
Fax: (514) 343-9941

U.K.

Hammond Electronics Limited
1 Onslow Close
Kingsland Business Park
Basingstoke, Hampshire
RG24 8QL
Tel: 01256 812812
Fax: 01256 332249

Australia

Hammond Electronics Pty. Ltd.
ABN 13 099 121 981
11-13 Port Rd.
Queenstown
SA 5014
Tel: 8-8240-2244
Fax: 8-8240-2255

ON THE WORLDWIDE WEB...



Distributed By:



Компания «ЭлектроПласт» предлагает заключение долгосрочных отношений при поставках импортных электронных компонентов на взаимовыгодных условиях!

Наши преимущества:

- Оперативные поставки широкого спектра электронных компонентов отечественного и импортного производства напрямую от производителей и с крупнейших мировых складов;
- Поставка более 17-ти миллионов наименований электронных компонентов;
- Поставка сложных, дефицитных, либо снятых с производства позиций;
- Оперативные сроки поставки под заказ (от 5 рабочих дней);
- Экспресс доставка в любую точку России;
- Техническая поддержка проекта, помощь в подборе аналогов, поставка прототипов;
- Система менеджмента качества сертифицирована по Международному стандарту ISO 9001;
- Лицензия ФСБ на осуществление работ с использованием сведений, составляющих государственную тайну;
- Поставка специализированных компонентов (Xilinx, Altera, Analog Devices, Intersil, Interpoint, Microsemi, Aeroflex, Peregrine, Syfer, Eurofarad, Texas Instrument, Miteq, Cobham, E2V, MA-COM, Hittite, Mini-Circuits, General Dynamics и др.);

Помимо этого, одним из направлений компании «ЭлектроПласт» является направление «Источники питания». Мы предлагаем Вам помощь Конструкторского отдела:

- Подбор оптимального решения, техническое обоснование при выборе компонента;
- Подбор аналогов;
- Консультации по применению компонента;
- Поставка образцов и прототипов;
- Техническая поддержка проекта;
- Защита от снятия компонента с производства.



Как с нами связаться

Телефон: 8 (812) 309 58 32 (многоканальный)

Факс: 8 (812) 320-02-42

Электронная почта: org@eplast1.ru

Адрес: 198099, г. Санкт-Петербург, ул. Калинина, дом 2, корпус 4, литера А.