

## IFN146 Dual Matched N-Channel JFET

### Features

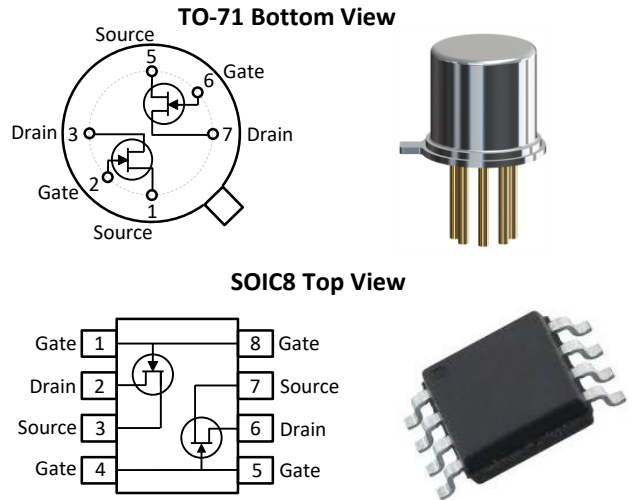
- InterFET [N0450H Geometry](#)
- Low Noise: 1.1 nV/√Hz Typical
- High Gain: 30mS Typical
- RoHS Compliant
- SMT, TH, and Bare Die Package options.

### Applications

- Low-Noise Audio Amplifier
- Differential Amplifier
- Replacement for Japanese 2SK146

### Description

The -50V InterFET IFN146 is a low noise high gain replacement for the Japanese 2SK146 JFET. Gate leakages are typically less than 50pA at room temperatures. The TO-71 package is hermetically sealed and suitable for military applications.



### Product Summary

Parameters		IFN146 Min	Unit
BV <sub>GSS</sub>	Gate to Source Breakdown Voltage	-40	V
I <sub>DSS</sub>	Drain to Source Saturation Current	30 (max)	mA
V <sub>GS(off)</sub>	Gate to Source Cutoff Voltage	-0.3	V
G <sub>FS</sub>	Forward Transconductance	20	mS

### Ordering Information Custom Part and Binning Options Available

Part Number	Description	Case	Packaging
IFN146	Through-Hole	TO-71	Bulk
SMP146	Surface Mount	SOIC8	Bulk
SMP146TR	7" Tape and Reel: Max 500 Pieces 13" Tape and Reel: Max 2,500 Pieces	SOIC8	Minimum 500 Pieces Tape and Reel
IFN146COT	Chip Orientated Tray (COT Waffle Pack)	COT	400/Waffle Pack
IFN146CFT	Chip Face-up Tray (CFT Waffle Pack)	CFT	400/Waffle Pack



**Disclaimer:** It is the Buyers responsibility for designing, validating and testing the end application under all field use cases and extreme use conditions. Guaranteeing the application meets required standards, regulatory compliance, and all safety and security requirements is the responsibility of the Buyer. These resources are subject to change without notice.

## Electrical Characteristics

### Maximum Ratings (@ $T_A = 25^\circ\text{C}$ , Unless otherwise specified)

Parameters	Value	Unit
$V_{RGS}$ Reverse Gate Source and Gate Drain Voltage	-40	V
$I_{FG}$ Continuous Forward Gate Current	10	mA
$P_D$ Continuous Device Power Dissipation	375	mW
$P$ Power Derating	3	mW/ $^\circ\text{C}$
$T_J$ Operating Junction Temperature	-55 to 125	$^\circ\text{C}$
$T_{STG}$ Storage Temperature	-65 to 200	$^\circ\text{C}$

### Static Characteristics (@ $T_A = 25^\circ\text{C}$ , Unless otherwise specified)

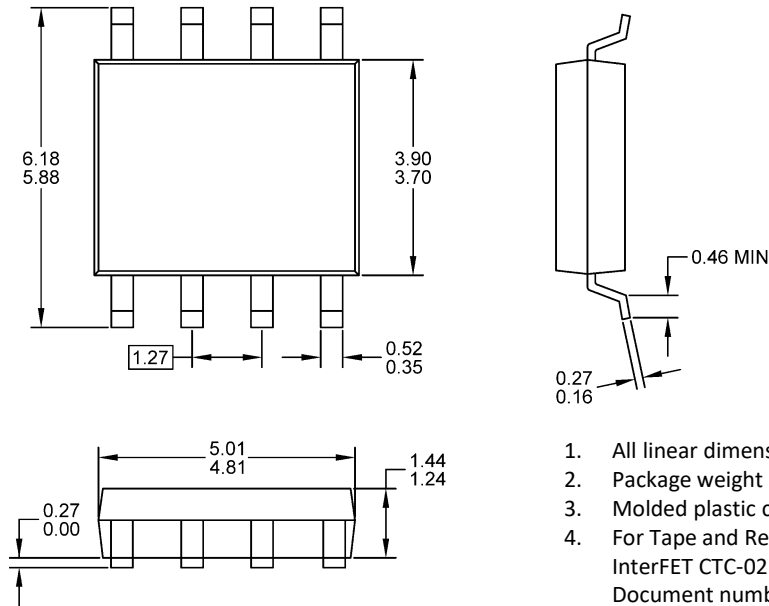
Parameters	Conditions	IFN146		Unit
		Min	Max	
$V_{(BR)GSS}$ Gate to Source Breakdown Voltage	$V_{DS} = 0V, I_G = -1\mu\text{A}$	-40		V
$I_{GSS}$ Gate to Source Reverse Current	$V_{GS} = -30V, V_{DS} = 0V, T_A = 25^\circ\text{C}$ $V_{GS} = -30V, V_{DS} = 0V, T_A = 150^\circ\text{C}$		-1 -1	nA $\mu\text{A}$
$V_{GS(OFF)}$ Gate to Source Cutoff Voltage	$V_{DS} = 10V, I_D = 1\mu\text{A}$	-0.3	-1.2	V
$I_{DSS}$ Drain to Source Saturation Current	$V_{GS} = 0V, V_{DS} = 10V$ (Pulsed)		30	mA

### Dynamic Characteristics (@ $T_A = 25^\circ\text{C}$ , Unless otherwise specified)

Parameters	Conditions	IFN146			Unit
		Min	Typ	Max	
$G_{FS}$ Forward Transconductance	$V_{DS} = 10V, V_{GS} = 0V, I_{DSS} = 5\text{mA}, f = 1\text{kHz}$	20	30		mS
$C_{iss}$ Input Capacitance	$V_{DS} = 10V, V_{GS} = 0V, f = 1\text{kHz}$			75	pF
$C_{rss}$ Reverse Transfer Capacitance	$V_{DS} = 10V, I_D = 0A, f = 1\text{kHz}$			15	pF
NF Noise Figure	$V_{DS} = 10V, I_D = 5\text{mA}, R_G = 100\Omega, f = 1\text{kHz}$		1		dB
$ V_{GS1} - V_{GS2} $ Differential Gate Source Voltage	$V_{DS} = 10V, I_D = 5\text{mA}$			20	mV

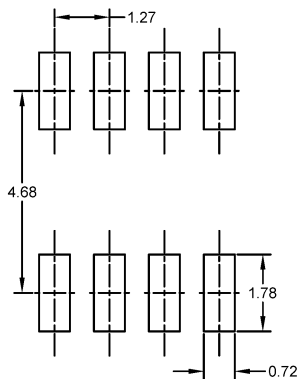
## SOIC8 Mechanical and Layout Data

### Package Outline Data



1. All linear dimensions are in millimeters.
2. Package weight approximately 0.21 grams
3. Molded plastic case UL 94V-0 rated
4. For Tape and Reel specifications refer to InterFET CTC-021 Tape and Reel Specification, Document number: IF39002
5. Bulk product is shipped in standard ESD shipping material
6. Refer to JEDEC standards for additional information.

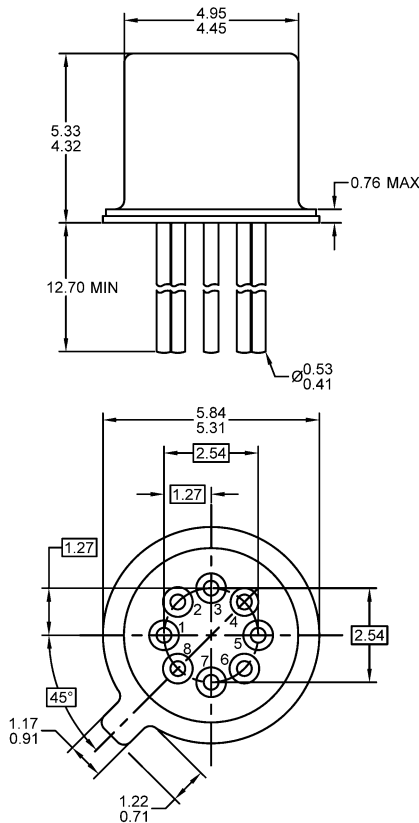
### Suggested Pad Layout



1. All linear dimensions are in millimeters.
2. The suggested land pattern dimensions have been provided for reference only. A more robust pattern may be desired for wave soldering.

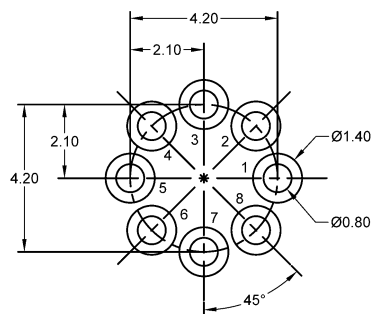
## TO-71 Mechanical and Layout Data

### Package Outline Data



1. All linear dimensions are in millimeters.
2. Eight leaded device. Not all leads are shown in drawing views.
3. Some package configurations will not populate pin 8 and/or pin 4.
4. Package weight approximately 0.35 grams
5. Bulk product is shipped in standard ESD shipping material
6. Refer to JEDEC standards for additional information.

### Suggested Bent Lead Through-Hole Layout



1. All linear dimensions are in millimeters.
2. Pads 8 and/or pad 4 can be eliminated for devices with less pins.
3. The suggested land pattern dimensions have been provided as an eight pin bent lead reference only. A more robust pattern may be desired for wave soldering or reduced pin count.



Компания «ЭлектроПласт» предлагает заключение долгосрочных отношений при поставках импортных электронных компонентов на взаимовыгодных условиях!

Наши преимущества:

- Оперативные поставки широкого спектра электронных компонентов отечественного и импортного производства напрямую от производителей и с крупнейших мировых складов;
- Поставка более 17-ти миллионов наименований электронных компонентов;
- Поставка сложных, дефицитных, либо снятых с производства позиций;
- Оперативные сроки поставки под заказ (от 5 рабочих дней);
- Экспресс доставка в любую точку России;
- Техническая поддержка проекта, помощь в подборе аналогов, поставка прототипов;
- Система менеджмента качества сертифицирована по Международному стандарту ISO 9001;
- Лицензия ФСБ на осуществление работ с использованием сведений, составляющих государственную тайну;
- Поставка специализированных компонентов (Xilinx, Altera, Analog Devices, Intersil, Interpoint, Microsemi, Aeroflex, Peregrine, Syfer, Eurofarad, Texas Instrument, Miteq, Cobham, E2V, MA-COM, Hittite, Mini-Circuits, General Dynamics и др.);

Помимо этого, одним из направлений компании «ЭлектроПласт» является направление «Источники питания». Мы предлагаем Вам помощь Конструкторского отдела:

- Подбор оптимального решения, техническое обоснование при выборе компонента;
- Подбор аналогов;
- Консультации по применению компонента;
- Поставка образцов и прототипов;
- Техническая поддержка проекта;
- Защита от снятия компонента с производства.



#### Как с нами связаться

**Телефон:** 8 (812) 309 58 32 (многоканальный)

**Факс:** 8 (812) 320-02-42

**Электронная почта:** [org@eplast1.ru](mailto:org@eplast1.ru)

**Адрес:** 198099, г. Санкт-Петербург, ул. Калинина, дом 2, корпус 4, литера А.