

AMPHENOL PART NUMBER CONFIGURATION

U 9 0 - B 1 0 5 - X X X 1 - X X 0

REVISIONS			
REV	DESCRIPTION, ECN, EAR NO.	DATE	APP'D
N	RoHS COMPLIANT PER RoHS DIRECTIVE 2011/65/EU	DEC 3/12	ZLJ
P	REMOVE NON-RoHS & NO EMI COVER OPTIONS	JUN 20/13	ZLJ
R	NEW PART NUMBER ADDED, PART NUMBER CORRECTED	OCT 24/14	KH

CAGE & CONNECTOR CONTACT PLATING

4 = 0.76 µm MIN. GOLD OVER 1.27-3.81 µm OF NICKEL ON MATING AREA
 0.381-1.52 µm OF MATTE TIN OVER 1.27-3.81 µm OF NICKEL ON PRESS FIT TAIL AREA.
 Ni PLATING FOR CAGE

VENT HOLES AND EMI COVER

0 = WITH LARGE HOLES & WITH EMI COVER
 2 = WITH SMALL VENT HOLES & WITH EMI COVER
 4 = WITH RECTANGULAR VENT HOLES & WITH EMI COVER

EMI GASKET

0 = NO GASKET, NO GASKET SUPPORT
 1 = CHOMERICS 1273 CONDUCTIVE ELASTOMER; UL RATED 94-V0
 2 = CHOMERICS S6305 CONDUCTIVE ELASTOMER

OPTIONAL LIGHT PIPES

6 = WITH LIGHT PIPE (TRIANGULAR OUTLET)
 LEFT ARROW POINTING BOTTOM PORT &
 RIGHT ARROW POINTING TOP PORT (UL RATED 94-V0)
 7 = WITHOUT LIGHT PIPE
 8 = WITH LIGHT PIPE (REVERSED DIRECTION)
 LEFT ARROW POINTING TOP PORT &
 RIGHT ARROW POINTING BOTTOM PORT (UL RATED 94-V0)

OPTIONAL DUST COVER

0 = WITHOUT DUST COVER
 D = WITH DUST COVER

THIS IS A CAD DRAWING. DO NOT MANUALLY REVISE.

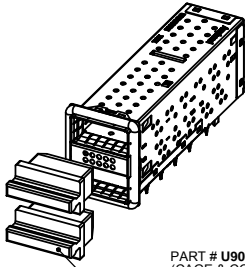


REFERENCE VIEW FOR OPTION 6 ONLY

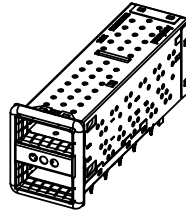


REFERENCE VIEW FOR OPTION 8 ONLY

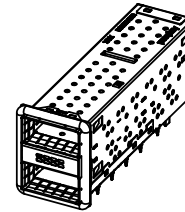
PART # U90-B105-4D71-X20 SHOWN
 (CAGE & CONNECTOR ASSEMBLY,
 WITH DUST COVER AND WITHOUT LIGHT PIPE)



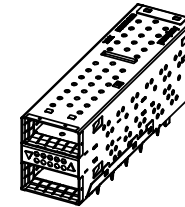
PART # U90-B105-4071-X00 SHOWN
 (CAGE & CONNECTOR ASSEMBLY,
 WITHOUT DUST COVER AND WITHOUT LIGHT PIPE)



PART # U90-B105-4071-X40 SHOWN
 (CAGE & CONNECTOR ASSEMBLY,
 WITHOUT DUST COVER AND WITHOUT LIGHT PIPE)

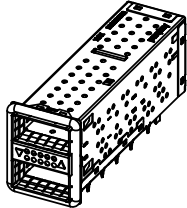


PART # U90-B105-4061-020 SHOWN
 (CAGE & CONNECTOR ASSEMBLY,
 WITHOUT DUST COVER AND WITH LIGHT PIPE,
 NO GASKET AND NO GASKET SUPPORT)

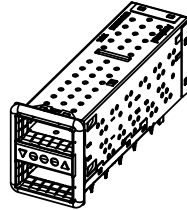


OPTIONAL DUST COVER
 P/N U79-111-9000-P
 (SHIPPED LOOSE)

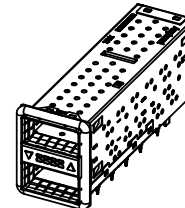
PART # U90-B105-4061-X20 SHOWN
 (CAGE & CONNECTOR ASSEMBLY,
 WITHOUT DUST COVER AND WITH LIGHT PIPE)



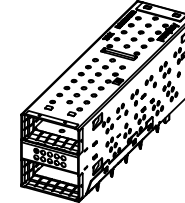
PART # U90-B105-4061-X00 SHOWN
 (CAGE & CONNECTOR ASSEMBLY,
 WITHOUT DUST COVER AND WITH LIGHT PIPE)



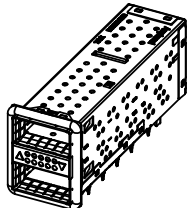
PART # U90-B105-4061-X40 SHOWN
 (CAGE & CONNECTOR ASSEMBLY,
 WITHOUT DUST COVER AND WITH LIGHT PIPE)



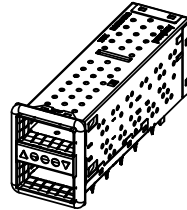
PART # U90-B105-4071-020 SHOWN
 (CAGE & CONNECTOR ASSEMBLY,
 WITHOUT DUST COVER AND WITH LIGHT PIPE,
 NO GASKET AND NO GASKET SUPPORT)



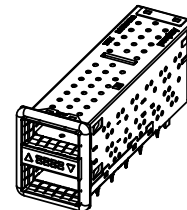
PART # U90-B105-4081-X20 SHOWN
 (CAGE & CONNECTOR ASSEMBLY,
 WITHOUT DUST COVER AND WITH LIGHT PIPE)



PART # U90-B105-4081-X00 SHOWN
 (CAGE & CONNECTOR ASSEMBLY,
 WITHOUT DUST COVER AND WITH LIGHT PIPE)



PART # U90-B105-4081-X40 SHOWN
 (CAGE & CONNECTOR ASSEMBLY,
 WITHOUT DUST COVER AND WITH LIGHT PIPE)



NOTES:

1. MATERIAL
 CAGE-PRESS FIT: COPPER ALLOY, NICKEL PLATED
 CONNECTOR-PRESS FIT: PLASTIC HOUSING, FLAMMABILITY RATING UL94 V-0.
 CONTACTS : PHOSPHOR BRONZE
 PLATING OPTION: SEE AMPHENOL PART NO CONFIGURATION
 EMI GASKET: CONDUCTIVE ELASTOMER; FOR FLAMMABILITY RATING SEE AMPHENOL PART NUMBER CONFIGURATION
 EMI FINGERS: PHOSPHOR BRONZE WITH NICKEL PLATING
 LIGHT PIPE: GE LEXAN, OPTICAL GRADE; UL RATED 94-V0



THIS DOCUMENT CONTAINS PROPRIETARY INFORMATION AND SUCH INFORMATION MAY NOT BE DISCLOSED TO OTHERS FOR ANY PURPOSE OR USED FOR MANUFACTURING PURPOSES WITHOUT WRITTEN PERMISSION FROM AMPHENOL CANADA CORP.

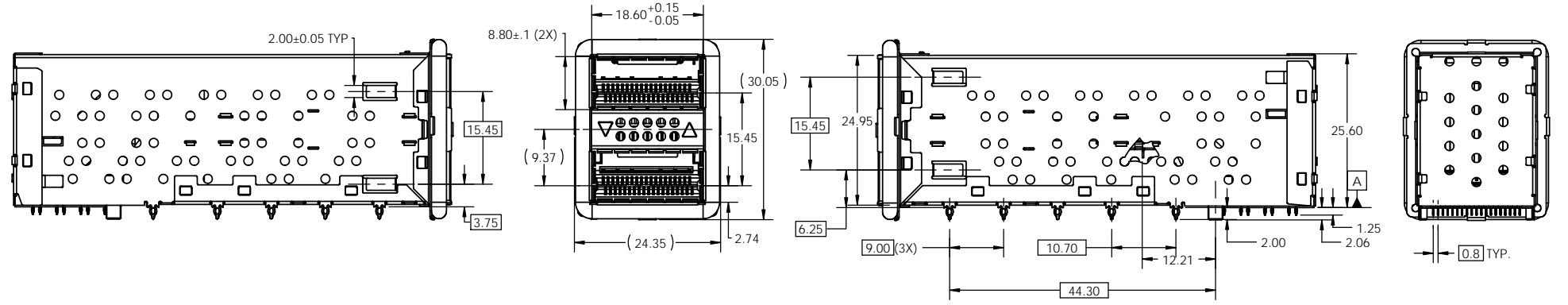
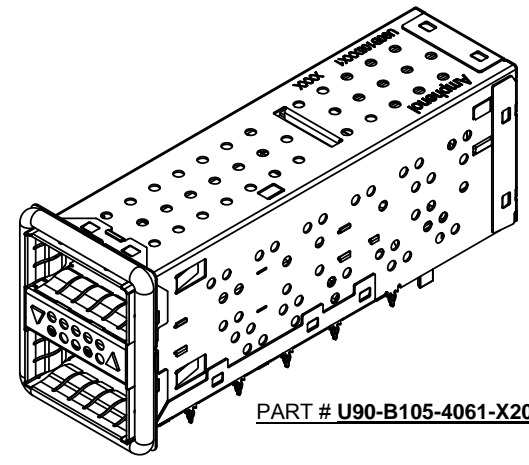
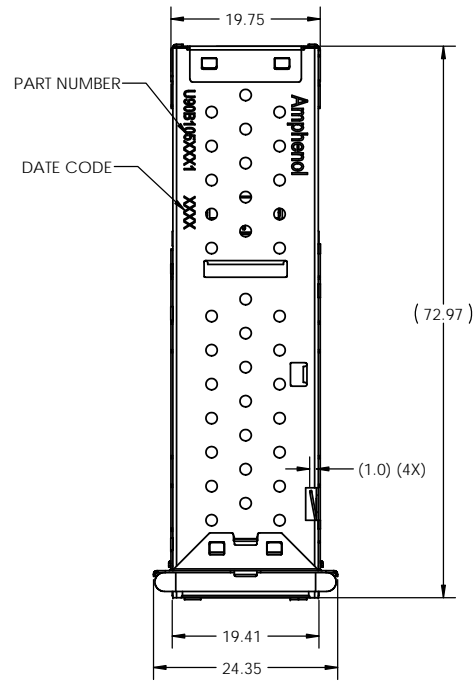
UNLESS SPECIFIED OTHERWISE	DRAWN	Hisen.X	NOV 18,10
PRIMARY UNITS MILLIMETERS	CHECKED	S.M	NOV 19,10
SECONDARY MILLIMETERS	M.E. APP'D		
REFERENCE IN PARENTHESES	Q.A. APP'D		
GENERAL TOLERANCES	DWG APPR.	A.G	NOV 20,10
1. DECIMAL PLACE 0.X ±0.25	ENG. REL. NO.		
2. DECIMAL PLACES 0.XX ±0.13	REF.		
3. ANGULAR DEGREES X° ±1°	THIRD ANGLE PROJECTION		
4. ANGULAR DEGREES X.X° ±0.5°	DO NOT SCALE DRAWING		

Amphenol High Speed Interconnects
 A Division of Amphenol Corp. www.amphenol-highspeed.com

QSFP+ 2X1 STACKED COMBO

DWG. NO.	P-U90-B105-XXX1-XX0	REV R
CODE ID NO.	03554	DWG SIZE: C
SCALE: 4:1	SHEET 1 OF 4	

REVISIONS			
REV	DESCRIPTION, ECN, EAR NO.	DATE	APP'D
R	SEE PAGE 1	OCT 24/14	KH



THIS DOCUMENT CONTAINS PROPRIETARY INFORMATION AND SUCH INFORMATION MAY NOT BE DISCLOSED TO OTHERS FOR ANY PURPOSE OR USED FOR MANUFACTURING PURPOSES WITHOUT WRITTEN PERMISSION FROM AMPHENOL CANADA CORP.

UNLESS SPECIFIED OTHERWISE	DRAWN	Hisen.X	NOV 18,10
PRIMARY UNITS MILLIMETERS	CHECKED	S.M	NOV 19,10
SECONDARY MILLIMETERS	M.E. APP'D		
REFERENCE IN PARENTHESES	Q.A. APP'D		
GENERAL TOLERANCES	DWG APPR.	A.G	NOV 20,10
1. DECIMAL PLACE 0.X±0.25	ENG. REL. NO.		
2. DECIMAL PLACES 0.XX±0.13	REF.		
3. ANGULAR DEGREES X°±1°	THIRD ANGLE PROJECTION		
4. ANGULAR DEGREES X.X°±0.5°	DO NOT SCALE DRAWING		

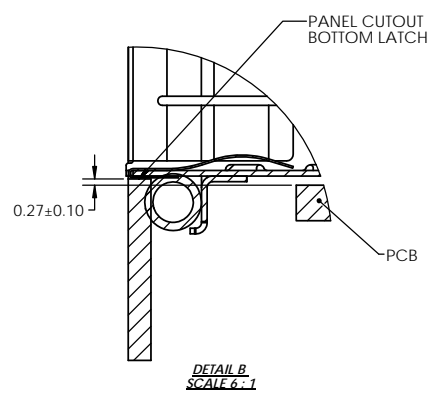
Amphenol High Speed Interconnects
A Division of Amphenol Corp. www.amphenol-highspeed.com

QSFP+ 2X1 STACKED COMBO

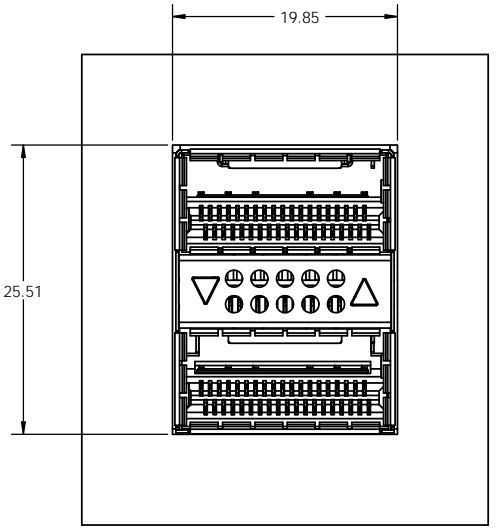
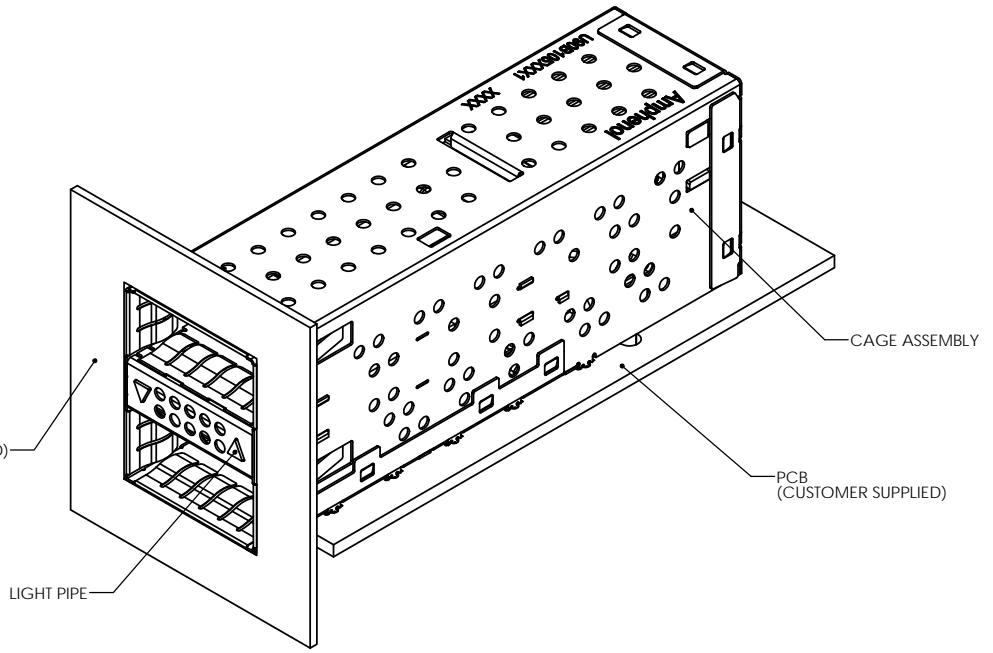
DWG. NO. **P-U90-B105-XXX1-XX0** REV **R**

CODE ID NO. 03554 DWG SIZE: C SCALE: 4:1 SHEET 2 OF 4

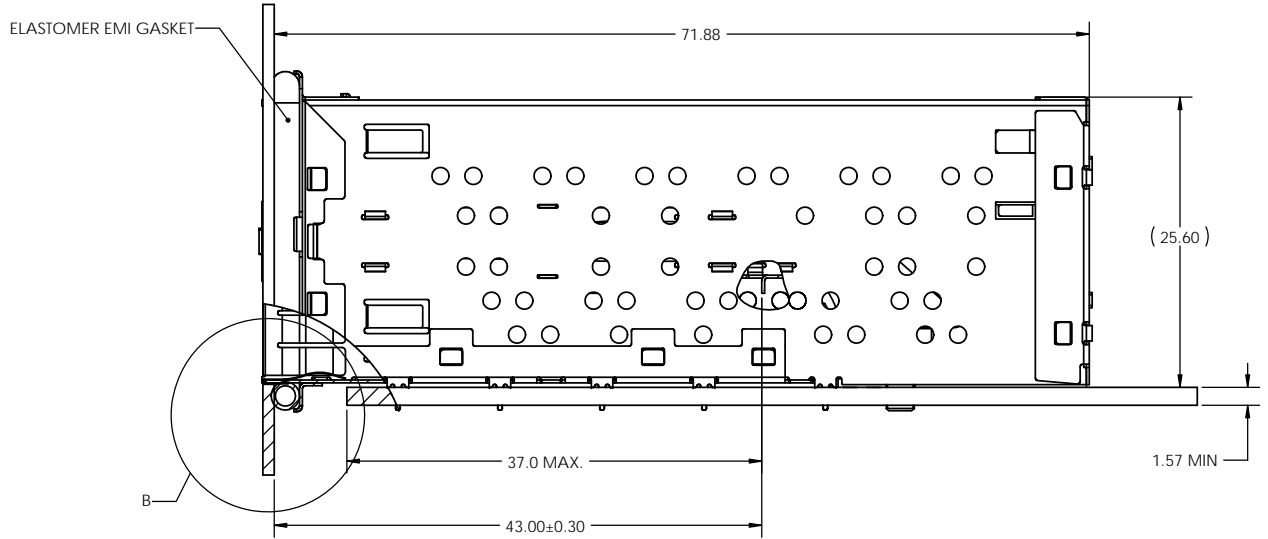
REVISIONS			
REV	DESCRIPTION, ECN, EAR NO.	DATE	APP'D
R	SEE PAGE 1	OCT 24/14	KH



FRONT PANEL
(CUSTOMER SUPPLIED)



RECOMMENDED PANEL CUTOUT



UNLESS SPECIFIED OTHERWISE	DRAWN	Hisen.X	NOV 18,10
PRIMARY UNITS MILLIMETERS	CHECKED	S.M	NOV 19,10
SECONDARY MILLIMETERS	M.E. APP'D		
REFERENCE IN PARENTHESES	Q.A. APP'D		
GENERAL TOLERANCES	DWG APPR.	A.G	NOV 20,10
1. DECIMAL PLACE 0.X±0.25	ENG. REL. NO.		
2. DECIMAL PLACES 0.XX±0.13	REF.		
3. ANGULAR DEGREES X°±1°	THIRD ANGLE PROJECTION		
4. ANGULAR DEGREES X.X°±0.5°	DO NOT SCALE DRAWING		

Amphenol High Speed Interconnects
A Division of Amphenol Corp. www.amphenol-highspeed.com

QSFP+ 2X1 STACKED COMBO

DWG. NO. **P-U90-B105-XXX1-XX0** REV **R**

CODE ID NO. 03554 DWG SIZE: C SCALE: 4:1 SHEET 4 OF 4

THIS DOCUMENT CONTAINS PROPRIETARY INFORMATION AND SUCH INFORMATION MAY NOT BE DISCLOSED TO OTHERS FOR ANY PURPOSE OR USED FOR MANUFACTURING PURPOSES WITHOUT WRITTEN PERMISSION FROM AMPHENOL CANADA CORP.



Компания «ЭлектроПласт» предлагает заключение долгосрочных отношений при поставках импортных электронных компонентов на взаимовыгодных условиях!

Наши преимущества:

- Оперативные поставки широкого спектра электронных компонентов отечественного и импортного производства напрямую от производителей и с крупнейших мировых складов;
- Поставка более 17-ти миллионов наименований электронных компонентов;
- Поставка сложных, дефицитных, либо снятых с производства позиций;
- Оперативные сроки поставки под заказ (от 5 рабочих дней);
- Экспресс доставка в любую точку России;
- Техническая поддержка проекта, помощь в подборе аналогов, поставка прототипов;
- Система менеджмента качества сертифицирована по Международному стандарту ISO 9001;
- Лицензия ФСБ на осуществление работ с использованием сведений, составляющих государственную тайну;
- Поставка специализированных компонентов (Xilinx, Altera, Analog Devices, Intersil, Interpoint, Microsemi, Aeroflex, Peregrine, Syfer, Eurofarad, Texas Instrument, Miteq, Cobham, E2V, MA-COM, Hittite, Mini-Circuits, General Dynamics и др.);

Помимо этого, одним из направлений компании «ЭлектроПласт» является направление «Источники питания». Мы предлагаем Вам помощь Конструкторского отдела:

- Подбор оптимального решения, техническое обоснование при выборе компонента;
- Подбор аналогов;
- Консультации по применению компонента;
- Поставка образцов и прототипов;
- Техническая поддержка проекта;
- Защита от снятия компонента с производства.



Как с нами связаться

Телефон: 8 (812) 309 58 32 (многоканальный)

Факс: 8 (812) 320-02-42

Электронная почта: org@eplast1.ru

Адрес: 198099, г. Санкт-Петербург, ул. Калинина, дом 2, корпус 4, литера А.