



STB55NF06, STP55NF06, STP55NF06FP

N-channel 60 V, 0.015 Ω , 50 A STripFET™ II Power MOSFET in D²PAK, TO-220 and TO-220FP packages

Datasheet — production data

Features

Order code	V _{DSS}	R _{DS(on)} max.	I _D
STB55NF06	60 V	< 0.018 Ω	50 A
STP55NF06			
STP55NF06FP			50 A ⁽¹⁾

1. Refer to soa for the max allowable current value on FP-type due to R_{th} value

- 100% avalanche tested
- Exceptional dv/dt capability

Applications

- Switching application

Description

These Power MOSFETs have been developed using STMicroelectronics' unique STripFET process, which is specifically designed to minimize input capacitance and gate charge. This renders the devices suitable for use as primary switch in advanced high-efficiency isolated DC-DC converters for telecom and computer applications, and applications with low gate charge driving requirements.

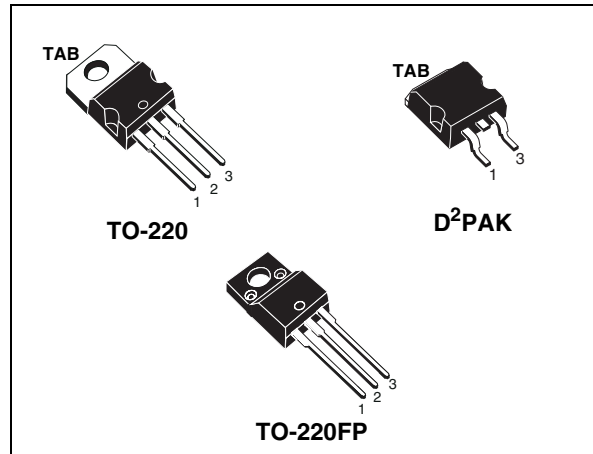
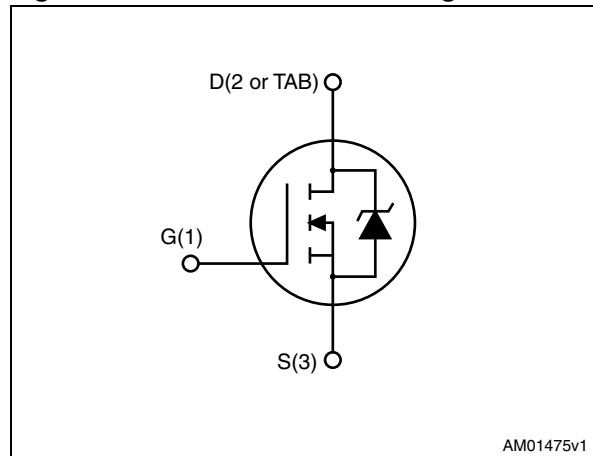


Figure 1. Internal schematic diagram



AM01475v1

Table 1. Device summary

Order code	Marking	Package	Packaging
STB55NF06	B55NF06	D ² PAK	Tape and reel
STP55NF06	P55NF06	TO-220	Tube
STP55NF06FP	P55NF06FP	TO-220	

Contents

1	Electrical ratings	3
2	Electrical characteristics	4
	2.1 Electrical characteristics (curves)	6
3	Test circuit	9
4	Package mechanical data	10
5	Packaging mechanical data	16
6	Revision history	18

1 Electrical ratings

Table 2. Absolute maximum ratings

Symbol	Parameter	Value		Unit
		TO-220, D ² PAK	TO-220FP	
V _{DS}	Drain-source voltage	60		V
V _{GS}	Gate- source voltage	± 20		V
I _D	Drain current (continuous) at T _C = 25 °C	50	50 ⁽¹⁾	A
I _D	Drain current (continuous) at T _C = 100 °C	35	35 ⁽¹⁾	A
I _{DM} ⁽²⁾	Drain current (pulsed)	200	200 ⁽¹⁾	A
P _{tot}	Total dissipation at T _C = 25 °C	110	30	W
	Derating factor	0.73	0.20	W/°C
E _{AS} ⁽³⁾	Single pulse avalanche energy	340		mJ
dv/dt ⁽⁴⁾	Peak diode recovery voltage slope	7		V/ns
V _{ISO}	Insulation withstand voltage (DC)		2500	V
T _{stg}	Storage temperature	-55 to 175		°C
T _j	Max. operating junction temperature			

1. Refer to soa for the max allowable current value on FP-type due to R_{th} value
2. Pulse width limited by safe operating area.
3. Starting T_j = 25 °C, V_{DD} = 30 V, I_D = 25 A
4. I_{SD} ≤ 50 A, di/dt ≤ 400 A/μs, V_{DD} ≤ V_{(BR)DSS}, T_j ≤ T_{JMAX}

Table 3. Thermal data

Symbol	Parameter	Value			Unit
		D ² PAK	TO-220	TO-220FP	
R _{thj-case}	Thermal resistance junction-case max	1.36		5	°C/W
R _{thj-amb}	Thermal resistance junction-ambient max	62.5			°C/W

2 Electrical characteristics

($T_{CASE}=25^{\circ}\text{C}$ unless otherwise specified)

Table 4. On/off states

Symbol	Parameter	Test conditions	Min.	Typ.	Max.	Unit
$V_{(BR)DSS}$	Drain-source breakdown voltage	$I_D = 250 \mu\text{A}$, $V_{GS} = 0$	60			V
I_{DSS}	Zero gate voltage drain current ($V_{GS} = 0$)	$V_{DS} = 60 \text{ V}$ $V_{DS} = 60 \text{ V}$, @ $T_J = 125^{\circ}\text{C}$			1 10	μA μA
I_{GSS}	Gate-body leakage current ($V_{DS} = 0$)	$V_{GS} = \pm 20 \text{ V}$			± 100	nA
$V_{GS(th)}$	Gate threshold voltage	$V_{DS} = V_{GS}$, $I_D = 250 \mu\text{A}$	2	3	4	V
$R_{DS(on)}$	Static drain-source on-resistance	$V_{GS} = 10 \text{ V}$, $I_D = 27.5 \text{ A}$		0.015	0.018	Ω

Table 5. Dynamic

Symbol	Parameter	Test conditions	Min.	Typ.	Max.	Unit
C_{iss}	Input capacitance	$V_{DS} = 25 \text{ V}$, $f = 1\text{MHz}$, $V_{GS} = 0$	-	1300		pF
C_{oss}	Output capacitance			300		pF
C_{rss}	Reverse transfer capacitance			105		pF
$t_{d(on)}$	Turn-on delay time	$V_{DD} = 30 \text{ V}$, $I_D = 27.5 \text{ A}$ $R_G = 4.7 \Omega$, $V_{GS} = 10 \text{ V}$ (see Figure 15)	-	20		ns
t_r	Rise time			50		ns
$t_{d(off)}$	Turn-off delay time			36		ns
t_f	Fall time			15		ns
Q_g	Total gate charge	$V_{DD} = 48 \text{ V}$, $I_D = 55 \text{ A}$, $V_{GS} = 10 \text{ V}$ (see Figure 16)	-	44.5	60	nC
Q_{gs}	Gate-source charge			10.5		nC
Q_{gd}	Gate-drain charge			17.5		nC

Table 6. Source drain diode

Symbol	Parameter	Test conditions	Min.	Typ.	Max.	Unit
I_{SD} $I_{SDM}^{(1)}$	Source-drain current Source-drain current (pulsed)		-		50 200	A A
$V_{SD}^{(2)}$	Forward on voltage	$I_{SD} = 50 \text{ A}$, $V_{GS} = 0$	-		1.5	V
t_{rr} Q_{rr} I_{RRM}	Reverse recovery time Reverse recovery charge Reverse recovery current	$I_{SD} = 50 \text{ A}$, $di/dt = 100 \text{ A}/\mu\text{s}$, $V_{DD} = 30 \text{ V}$, $T_j = 150 \text{ }^\circ\text{C}$ (see Figure 17)	-	75 170 4.5		ns nC A

1. Pulse width limited by safe operating area.
2. Pulsed: Pulse duration = 300 μs , duty cycle 1.5%

2.1 Electrical characteristics (curves)

Figure 2. Safe operating area for TO-220, D²PAK

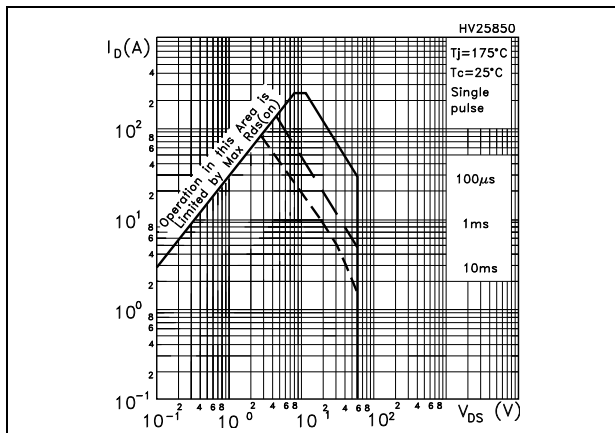


Figure 3. Thermal impedance for TO-220, D²PAK

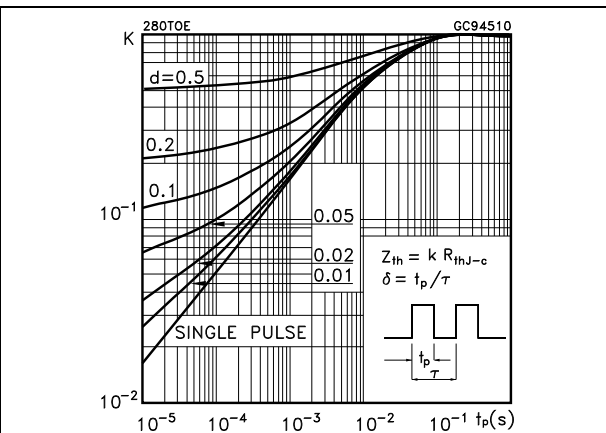


Figure 4. Safe operating area for TO-220FP

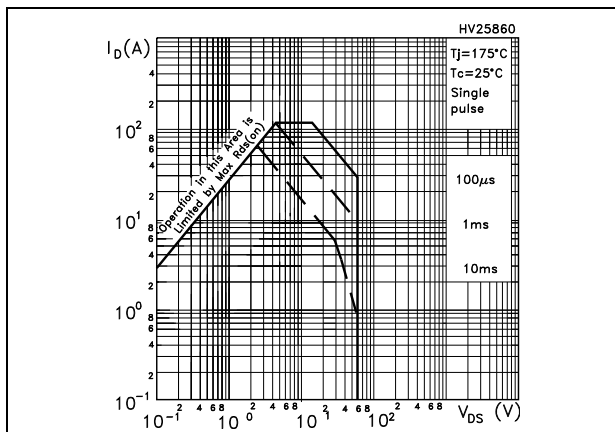


Figure 5. Thermal impedance TO-220FP

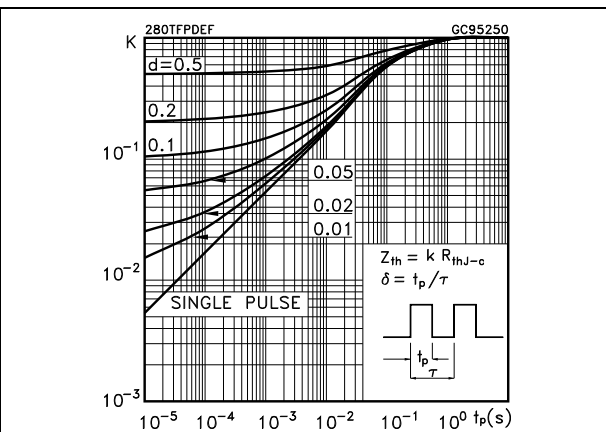


Figure 6. Output characteristics

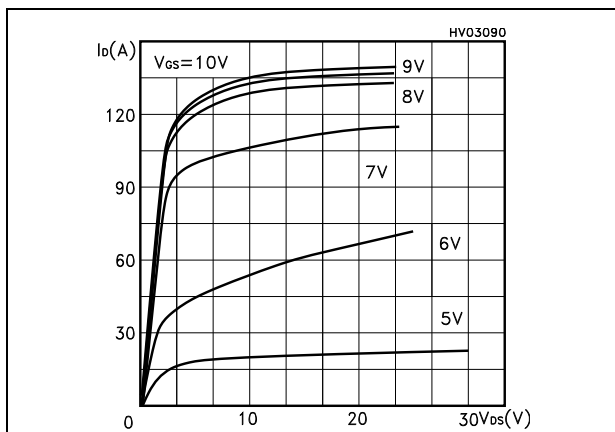


Figure 7. Transfer characteristics

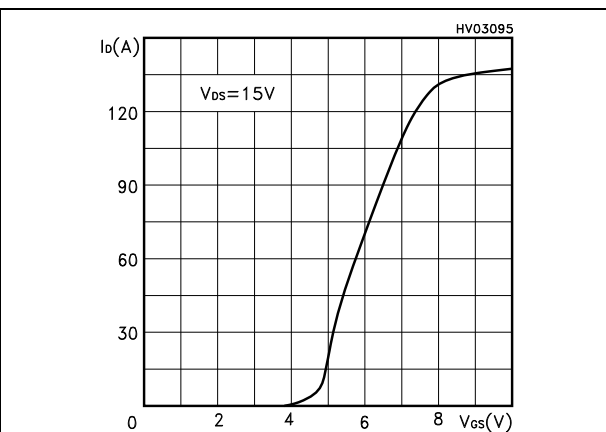


Figure 8. Transconductance

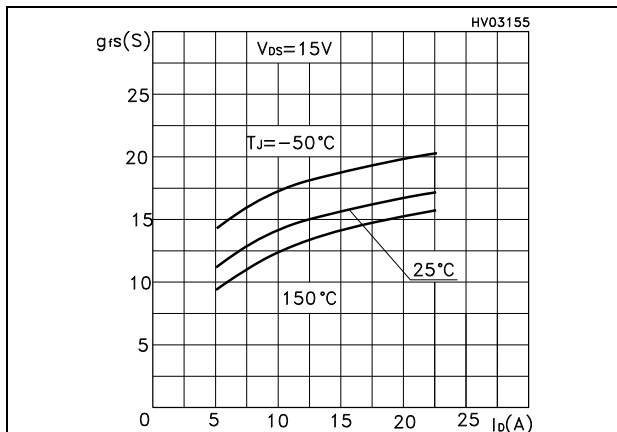


Figure 9. Static drain-source on-resistance

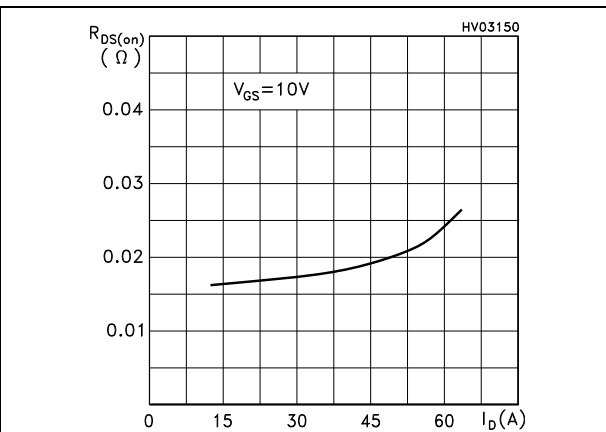


Figure 10. Gate charge vs gate-source voltage

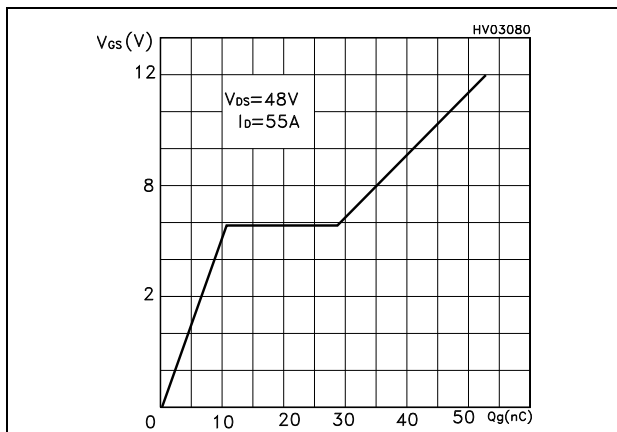


Figure 11. Capacitance variations

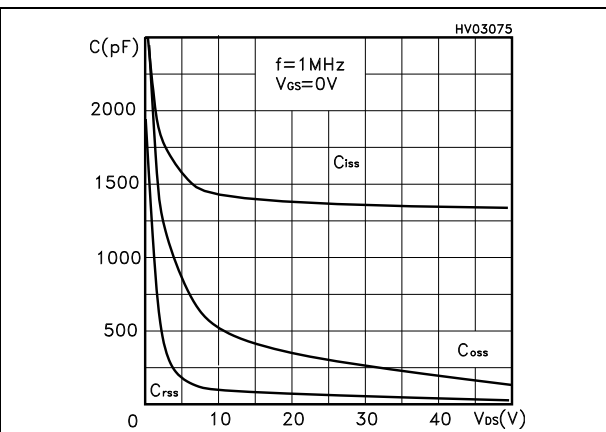


Figure 12. Normalized gate threshold voltage vs temperature

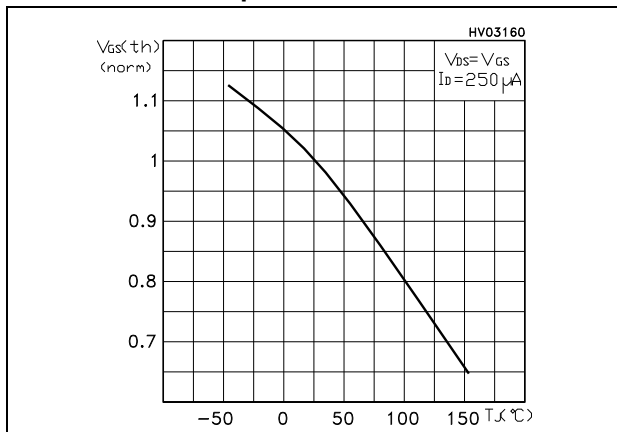


Figure 13. Normalized on-resistance vs temperature

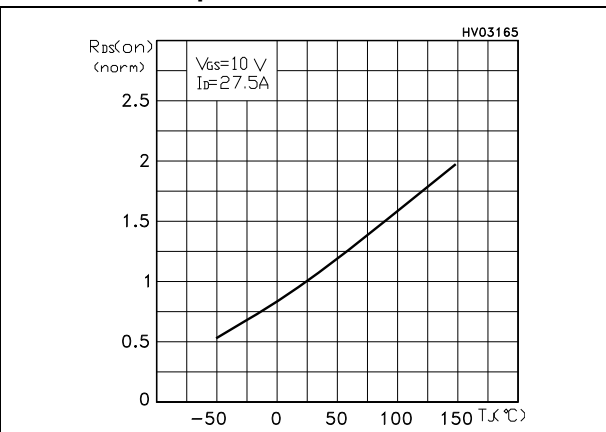
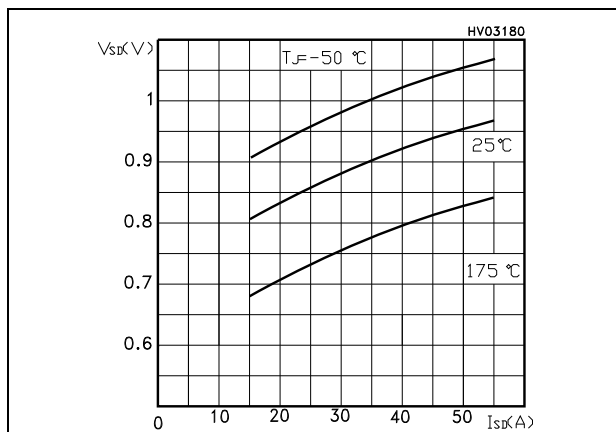


Figure 14. Source-drain diode forward characteristics



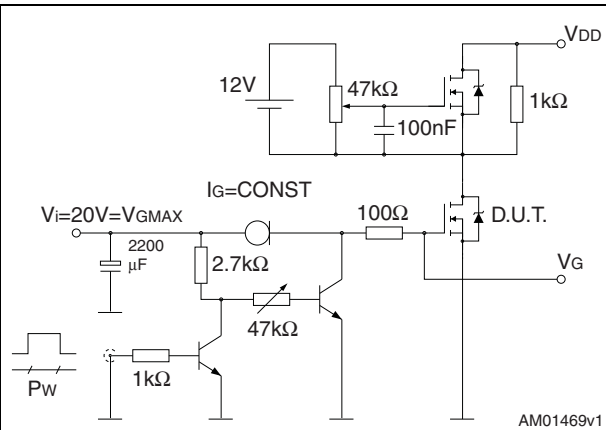
3 Test circuit

Figure 15. Switching times test circuit for resistive load



AM01468v1

Figure 16. Gate charge test circuit



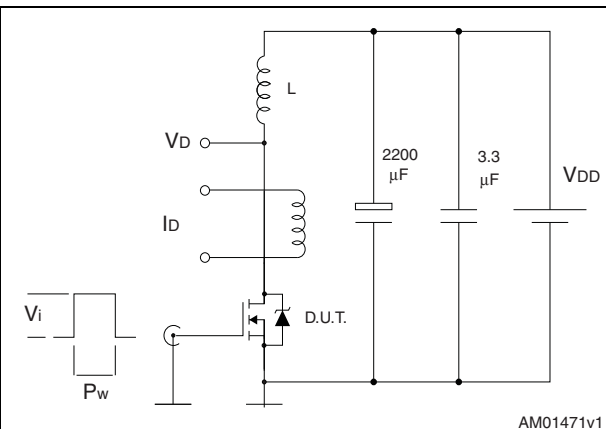
AM01469v1

Figure 17. Test circuit for inductive load switching and diode recovery times



AM01470v1

Figure 18. Unclamped inductive load test circuit



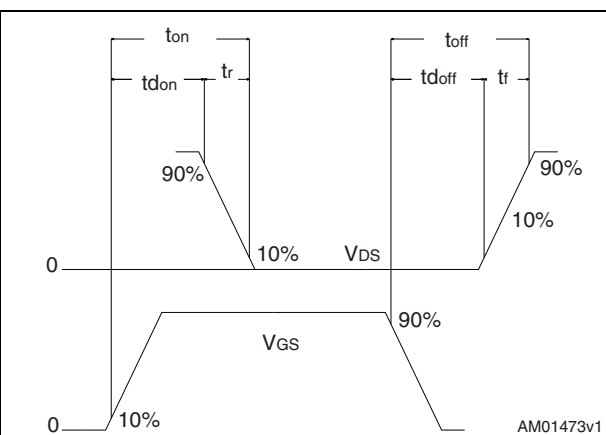
AM01471v1

Figure 19. Unclamped inductive waveform



AM01472v1

Figure 20. Switching time waveform



AM01473v1

4 Package mechanical data

In order to meet environmental requirements, ST offers these devices in different grades of ECOPACK[®] packages, depending on their level of environmental compliance. ECOPACK[®] specifications, grade definitions and product status are available at: www.st.com. ECOPACK[®] is an ST trademark.

Table 7. D²PAK (TO-263) mechanical data

Dim.	mm		
	Min.	Typ.	Max.
A	4.40		4.60
A1	0.03		0.23
b	0.70		0.93
b2	1.14		1.70
c	0.45		0.60
c2	1.23		1.36
D	8.95		9.35
D1	7.50		
E	10		10.40
E1	8.50		
e		2.54	
e1	4.88		5.28
H	15		15.85
J1	2.49		2.69
L	2.29		2.79
L1	1.27		1.40
L2	1.30		1.75
R		0.4	
V2	0°		8°

Figure 21. D²PAK (TO-263) drawing



Figure 22. D²PAK footprint^(a)



a. All dimensions are in millimeters

Table 8. TO-220 type A mechanical data

Dim.	mm		
	Min.	Typ.	Max.
A	4.40		4.60
b	0.61		0.88
b1	1.14		1.70
c	0.48		0.70
D	15.25		15.75
D1		1.27	
E	10		10.40
e	2.40		2.70
e1	4.95		5.15
F	1.23		1.32
H1	6.20		6.60
J1	2.40		2.72
L	13		14
L1	3.50		3.93
L20		16.40	
L30		28.90	
ØP	3.75		3.85
Q	2.65		2.95

Figure 23. TO-220 type A drawing

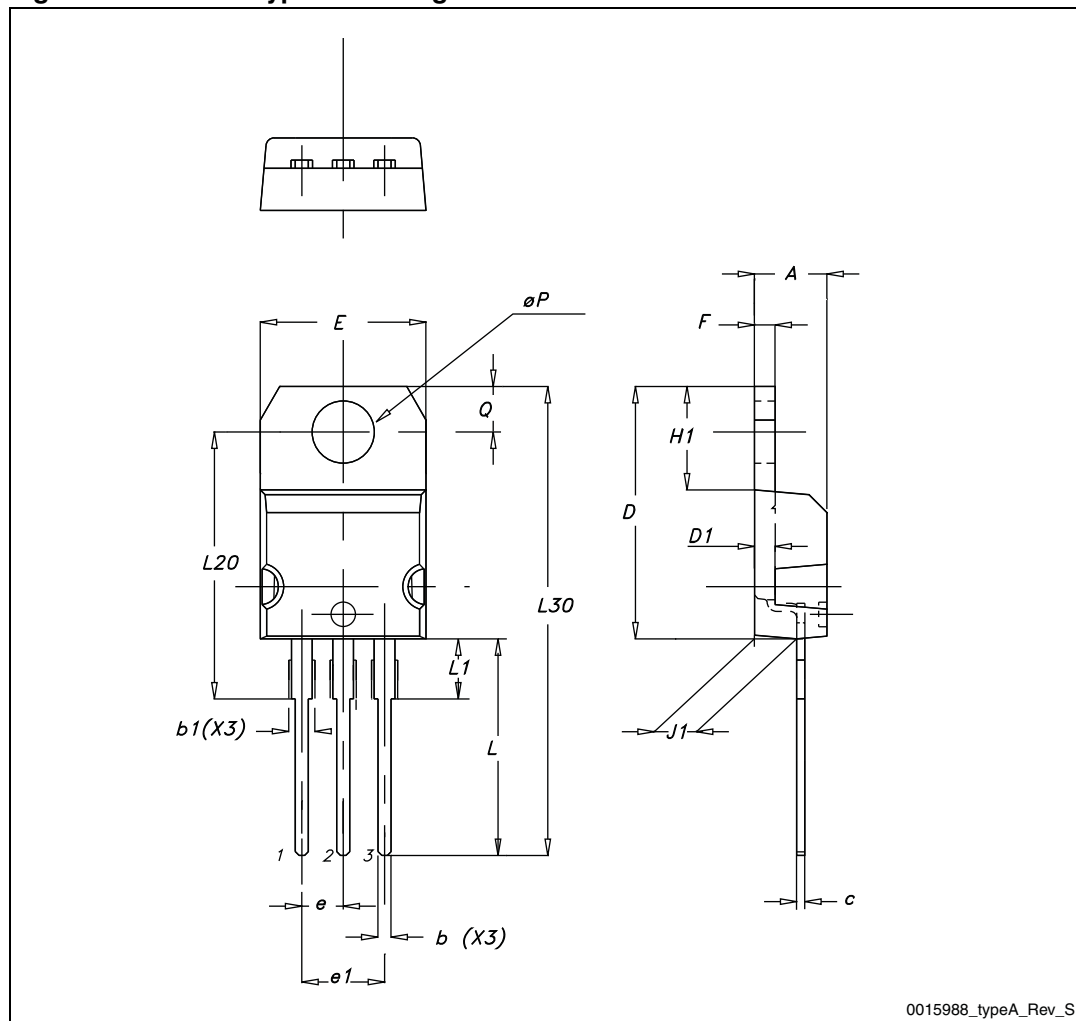
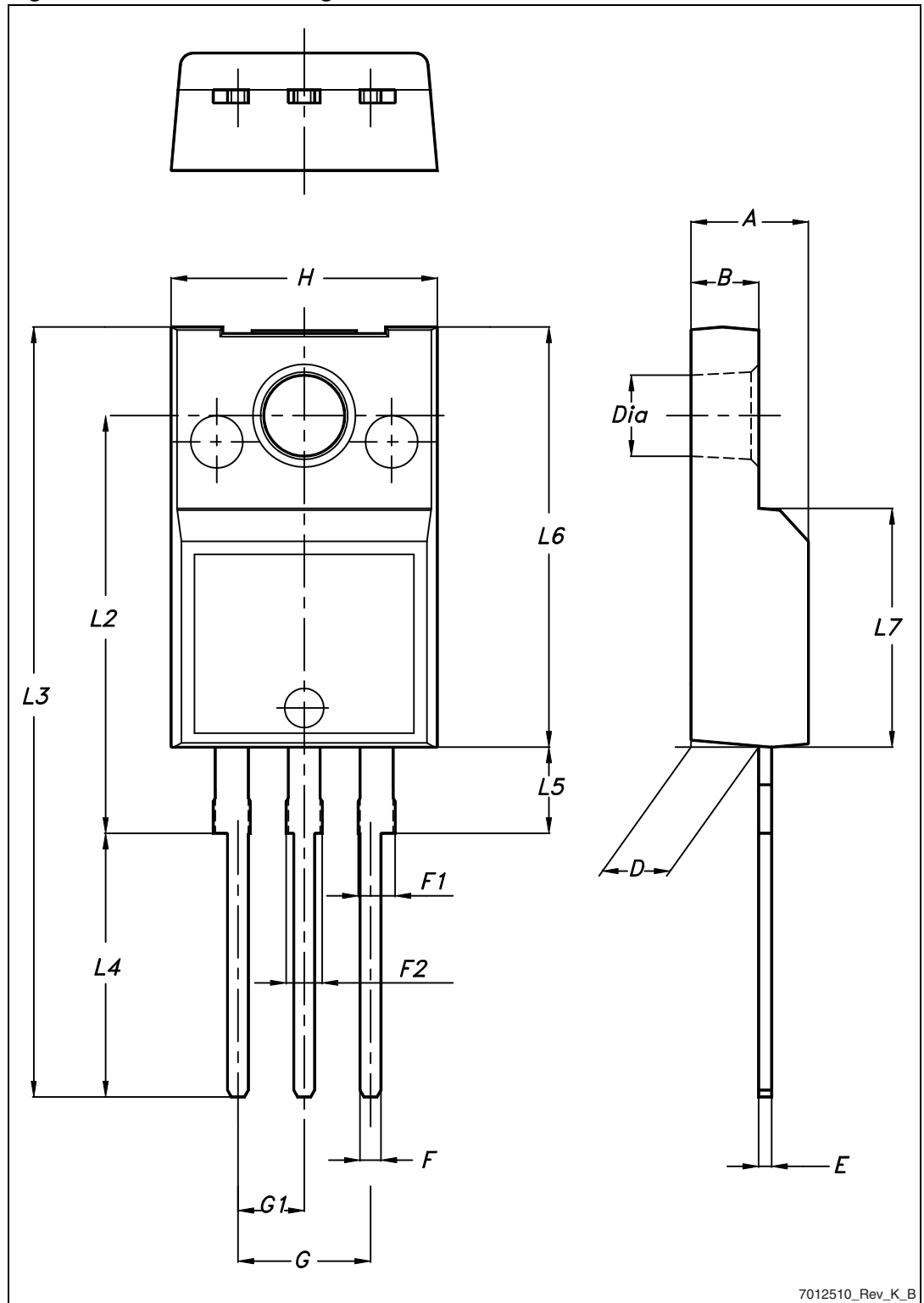


Table 9. TO-220FP mechanical data

Dim.	mm		
	Min.	Typ.	Max.
A	4.4		4.6
B	2.5		2.7
D	2.5		2.75
E	0.45		0.7
F	0.75		1
F1	1.15		1.70
F2	1.15		1.70
G	4.95		5.2
G1	2.4		2.7
H	10		10.4
L2		16	
L3	28.6		30.6
L4	9.8		10.6
L5	2.9		3.6
L6	15.9		16.4
L7	9		9.3
Dia	3		3.2

Figure 24. TO-220FP drawing



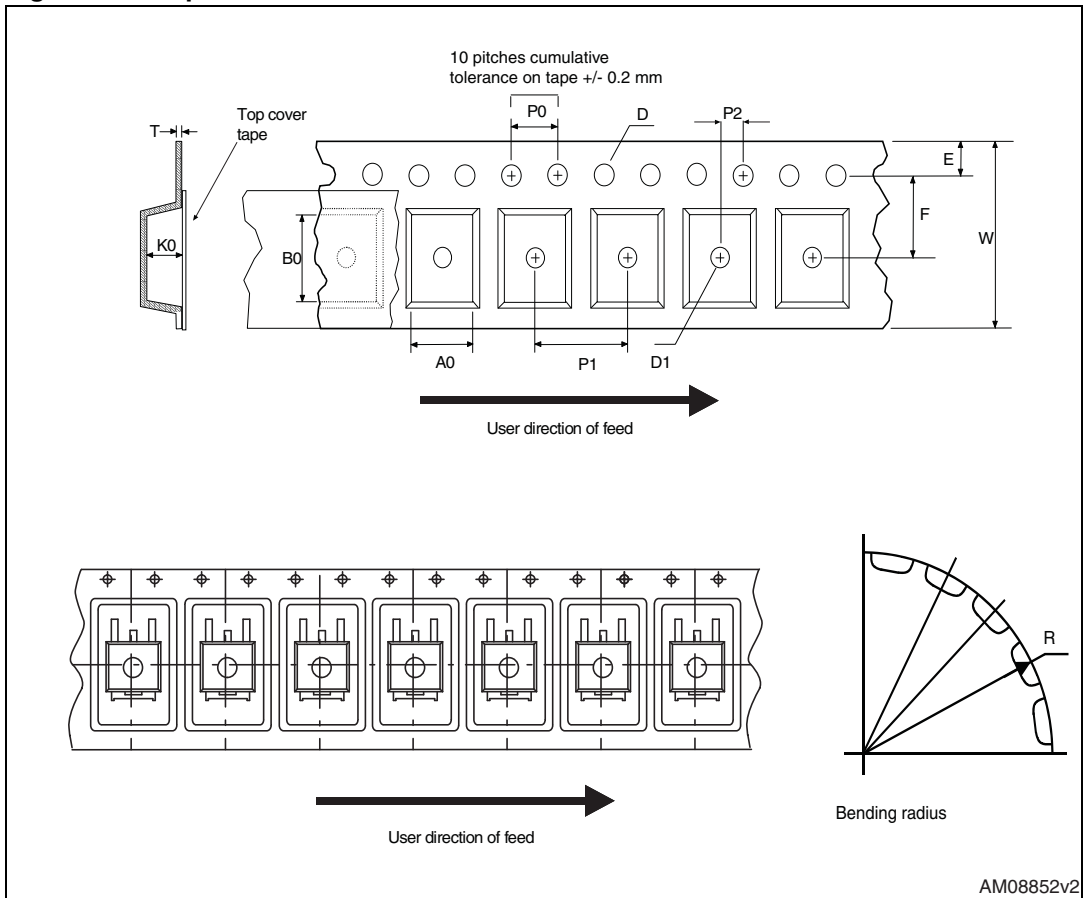
7012510_Rev_K_B

5 Packaging mechanical data

Table 10. D²PAK (TO-263) tape and reel mechanical data

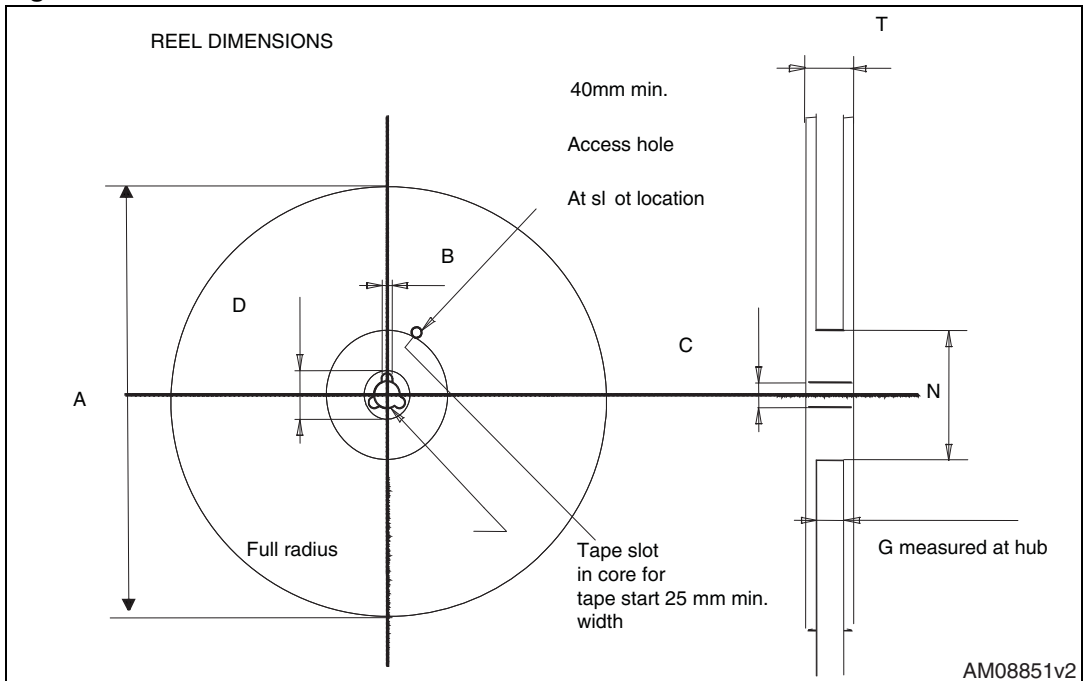
Tape			Reel		
Dim.	mm		Dim.	mm	
	Min.	Max.		Min.	Max.
A0	10.5	10.7	A		330
B0	15.7	15.9	B	1.5	
D	1.5	1.6	C	12.8	13.2
D1	1.59	1.61	D	20.2	
E	1.65	1.85	G	24.4	26.4
F	11.4	11.6	N	100	
K0	4.8	5.0	T		30.4
P0	3.9	4.1			
P1	11.9	12.1		Base qty	1000
P2	1.9	2.1		Bulk qty	1000
R	50				
T	0.25	0.35			
W	23.7	24.3			

Figure 25. Tape



AM08852v2

Figure 26. Reel



AM08851v2

6 Revision history

Table 11. Document revision history

Date	Revision	Changes
19-Oct-2005	7	Preliminary document
02-Dec-2005	8	New datasheet according to PCN MLD-PMT/05/1115
28-Mar-2006	9	Inserted ecopack indication
26-Jun-2006	10	New template, no content change
25-May-2012	11	Removed part number STB55NF06-1 in I ² PAK package <i>Section 4: Package mechanical data</i> and <i>Section 5: Packaging mechanical data</i> have been updated Minor text changes

Please Read Carefully:

Information in this document is provided solely in connection with ST products. STMicroelectronics NV and its subsidiaries ("ST") reserve the right to make changes, corrections, modifications or improvements, to this document, and the products and services described herein at any time, without notice.

All ST products are sold pursuant to ST's terms and conditions of sale.

Purchasers are solely responsible for the choice, selection and use of the ST products and services described herein, and ST assumes no liability whatsoever relating to the choice, selection or use of the ST products and services described herein.

No license, express or implied, by estoppel or otherwise, to any intellectual property rights is granted under this document. If any part of this document refers to any third party products or services it shall not be deemed a license grant by ST for the use of such third party products or services, or any intellectual property contained therein or considered as a warranty covering the use in any manner whatsoever of such third party products or services or any intellectual property contained therein.

UNLESS OTHERWISE SET FORTH IN ST'S TERMS AND CONDITIONS OF SALE ST DISCLAIMS ANY EXPRESS OR IMPLIED WARRANTY WITH RESPECT TO THE USE AND/OR SALE OF ST PRODUCTS INCLUDING WITHOUT LIMITATION IMPLIED WARRANTIES OF MERCHANTABILITY, FITNESS FOR A PARTICULAR PURPOSE (AND THEIR EQUIVALENTS UNDER THE LAWS OF ANY JURISDICTION), OR INFRINGEMENT OF ANY PATENT, COPYRIGHT OR OTHER INTELLECTUAL PROPERTY RIGHT.

UNLESS EXPRESSLY APPROVED IN WRITING BY TWO AUTHORIZED ST REPRESENTATIVES, ST PRODUCTS ARE NOT RECOMMENDED, AUTHORIZED OR WARRANTED FOR USE IN MILITARY, AIR CRAFT, SPACE, LIFE SAVING, OR LIFE SUSTAINING APPLICATIONS, NOR IN PRODUCTS OR SYSTEMS WHERE FAILURE OR MALFUNCTION MAY RESULT IN PERSONAL INJURY, DEATH, OR SEVERE PROPERTY OR ENVIRONMENTAL DAMAGE. ST PRODUCTS WHICH ARE NOT SPECIFIED AS "AUTOMOTIVE GRADE" MAY ONLY BE USED IN AUTOMOTIVE APPLICATIONS AT USER'S OWN RISK.

Resale of ST products with provisions different from the statements and/or technical features set forth in this document shall immediately void any warranty granted by ST for the ST product or service described herein and shall not create or extend in any manner whatsoever, any liability of ST.

ST and the ST logo are trademarks or registered trademarks of ST in various countries.

Information in this document supersedes and replaces all information previously supplied.

The ST logo is a registered trademark of STMicroelectronics. All other names are the property of their respective owners.

© 2012 STMicroelectronics - All rights reserved

STMicroelectronics group of companies

Australia - Belgium - Brazil - Canada - China - Czech Republic - Finland - France - Germany - Hong Kong - India - Israel - Italy - Japan - Malaysia - Malta - Morocco - Philippines - Singapore - Spain - Sweden - Switzerland - United Kingdom - United States of America

www.st.com





Компания «ЭлектроПласт» предлагает заключение долгосрочных отношений при поставках импортных электронных компонентов на взаимовыгодных условиях!

Наши преимущества:

- Оперативные поставки широкого спектра электронных компонентов отечественного и импортного производства напрямую от производителей и с крупнейших мировых складов;
- Поставка более 17-ти миллионов наименований электронных компонентов;
- Поставка сложных, дефицитных, либо снятых с производства позиций;
- Оперативные сроки поставки под заказ (от 5 рабочих дней);
- Экспресс доставка в любую точку России;
- Техническая поддержка проекта, помощь в подборе аналогов, поставка прототипов;
- Система менеджмента качества сертифицирована по Международному стандарту ISO 9001;
- Лицензия ФСБ на осуществление работ с использованием сведений, составляющих государственную тайну;
- Поставка специализированных компонентов (Xilinx, Altera, Analog Devices, Intersil, Interpoint, Microsemi, Aeroflex, Peregrine, Syfer, Eurofarad, Texas Instrument, Miteq, Cobham, E2V, MA-COM, Hittite, Mini-Circuits, General Dynamics и др.);

Помимо этого, одним из направлений компании «ЭлектроПласт» является направление «Источники питания». Мы предлагаем Вам помощь Конструкторского отдела:

- Подбор оптимального решения, техническое обоснование при выборе компонента;
- Подбор аналогов;
- Консультации по применению компонента;
- Поставка образцов и прототипов;
- Техническая поддержка проекта;
- Защита от снятия компонента с производства.



Как с нами связаться

Телефон: 8 (812) 309 58 32 (многоканальный)

Факс: 8 (812) 320-02-42

Электронная почта: org@eplast1.ru

Адрес: 198099, г. Санкт-Петербург, ул. Калинина, дом 2, корпус 4, литера А.