



2N6504 Series



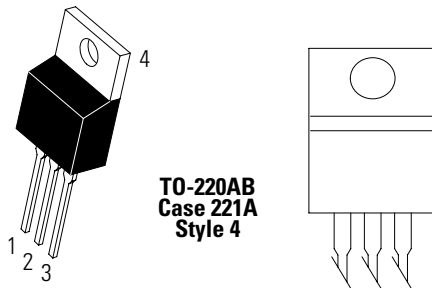
Description

Designed primarily for half-wave ac control applications, such as motor controls, heating controls and power supply crowbar circuits.

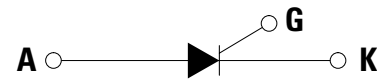
Features

- Glass Passivated Junctions for Greater Parameter Uniformity and Stability
- Small, Rugged, Thermowatt Construction for Low Thermal Resistance, High Heat Dissipation and Durability
- Blocking Voltage to 800 Volts
- 300 A Surge Current Capability
- Pb-Free Package is Available

Pin Out



Functional Diagram



Additional Information



Datasheet



Resources



Samples

Maximum Ratings ($T_J = 25^\circ\text{C}$ unless otherwise noted)

| Rating | Symbol | Value | Unit |
|--|------------------------|--------------------------------|------------------|
| Peak Repetitive Off-State Voltage (Note 1) (Gate Open, Sine Wave 50 to 60 Hz, $T_J = 25$ to 125°C) | V_{DRM} V_{RRM} | 50 100 400 600 800 | V |
| On-State RMS Current (180° Conduction Angles; $T_C = 85^\circ\text{C}$) | $I_{T(RMS)}$ | 25 | A |
| Average On-State Current (180° Conduction Angles; $T_C = 85^\circ\text{C}$) | $I_{T(AV)}$ | 16 | A |
| Peak Non-repetitive Surge Current (1/2 Cycle, Sine Wave 60 Hz, $T_J = 100^\circ\text{C}$) | I_{TSM} | 250 | A ² s |
| Forward Peak Gate Power (Pulse Width $\leq 1.0 \mu\text{s}$, $T_C = 85^\circ\text{C}$) | P_{GM} | 20 | W |
| Forward Average Gate Power ($t = 8.3 \text{ ms}$, $T_C = 85^\circ\text{C}$) | $P_{G(AV)}$ | 0.5 | W |
| Forward Peak Gate Current (Pulse Width $\leq 1.0 \mu\text{s}$, $T_C = 85^\circ\text{C}$) | I_{GM} | 2.0 | A |
| Operating Junction Temperature Range | T_J | -40 to +125 | $^\circ\text{C}$ |
| Storage Temperature Range | T_{stg} | -40 to +125 | $^\circ\text{C}$ |

Stresses exceeding Maximum Ratings may damage the device. Maximum Ratings are stress ratings only. Functional operation above the Recommended Operating Conditions is not implied. Extended exposure to stresses above the Recommended Operating Conditions may affect device reliability.

1. V_{DRM} and V_{RRM} for all types can be applied on a continuous basis. Ratings apply for zero or negative gate voltage; however, positive gate voltage shall not be applied concurrent with negative potential on the anode. Blocking voltages shall not be tested with a constant current source such that the voltage ratings of the devices are exceeded.

Thermal Characteristics

| Rating | Symbol | Value | Unit |
|---|-----------------|-------|---------------------------|
| *Thermal Resistance, Junction to Case | $R_{\theta JC}$ | 1.5 | $^\circ\text{C}/\text{W}$ |
| *Maximum Lead Temperature for Soldering Purposes, 1/8" from case for 10 seconds | T_L | 260 | $^\circ\text{C}$ |

* Indicates JEDEC Registered Data.

Electrical Characteristics - OFF ($T_C = 25^\circ\text{C}$ unless otherwise noted)

| Characteristic | Symbol | Min | Typ | Max | Unit |
|--|------------------------|-----|-----|-----|---------------|
| †Peak Repetitive Blocking Current ($V_{AK} = V_{DRM} = V_{RRM}$; Gate Open) | I_{DRM} I_{RRM} | - | - | 1.0 | μA |
| | | - | - | 2.0 | mA |

Electrical Characteristics - ON ($T_C = 25^\circ\text{C}$ unless otherwise noted; Electricals apply in both directions)

| Characteristic | Symbol | Min | Typ | Max | Unit | |
|---|----------|--|-----|-----|---------------|---------------|
| * Forward On-State Voltage (Note 2) ($I_{TM} = 50 \text{ A}$) | V_{TM} | - | - | 1.8 | V | |
| * Gate Trigger Current (Continuous dc) ($V_{AK} = \text{Rated } V_{DRM} \text{ or } V_{RRM}$; Gate Open) | I_{GT} | - | 9.0 | 30 | mA | |
| | | - | - | 75 | | |
| * Gate Trigger Voltage (Continuous dc) ($V_{AK} = 12 \text{ Vdc}$, $R_L = 100 \Omega$, $T_C = -40^\circ\text{C}$) | V_{GT} | - | 1.0 | 1.5 | V | |
| Gate Non-Trigger Voltage ($V_{AK} = 12 \text{ Vdc}$, $R_L = 100 \Omega$, $T_J = 125^\circ\text{C}$) | V_{GD} | 0.2 | - | - | V | |
| *Holding Current ($V_D = 12 \text{ Vdc}$, Initiating Current = 200 mA, Gate Open) | I_H | - | 18 | 40 | mA | |
| | | - | - | 80 | | |
| * Turn-On Time ($I_{TM} = 25 \text{ A}$, $I_{GT} = 50 \text{ mAdc}$) | t_{gt} | - | 1.5 | 2.0 | μs | |
| Turn-Off Time ($V_{RM} = \text{rated voltage}$) | t_q | ($I_{TM} = 25 \text{ A}$, $I_R = 25 \text{ A}$) | - | - | 15 | μs |
| | | ($I_{TM} = 25 \text{ A}$, $I_R = 25 \text{ A}$, $T_J = 125^\circ\text{C}$) | - | - | 35 | |

* Indicates JEDEC Registered Data

2. Pulse Test: Pulse Width $\leq 300 \mu\text{sec}$, Duty Cycle $\leq 2\%$.

Dynamic Characteristics

| Characteristic | Symbol | Min | Typ | Max | Unit |
|--|----------|-----|-----|-----|------|
| Critical Rate of Rise of Off-State Voltage (Gate Open, Rated VDRM, Exponential Waveform) | dv/dt(c) | – | 50 | – | V/μs |

Voltage Current Characteristic of SCR

| Symbol | Parameter |
|-----------|---|
| V_{DRM} | Peak Repetitive Forward Off State Voltage |
| I_{DRM} | Peak Forward Blocking Current |
| V_{RRM} | Peak Repetitive Reverse Off State Voltage |
| I_{RRM} | Peak Reverse Blocking Current |
| V_{TM} | Maximum On State Voltage |
| I_H | Holding Current |



Figure 1. Average Current Derating



Figure 2. Maximum On-State Power Dissipation



Figure 3. Typical On-State Characteristics



Figure 4. Maximum Non-Repetitive Surge Current



Figure 5. Thermal Response



Typical Trigger Characteristics

Figure 6. Typical Gate Trigger Current vs. Junction Temperature

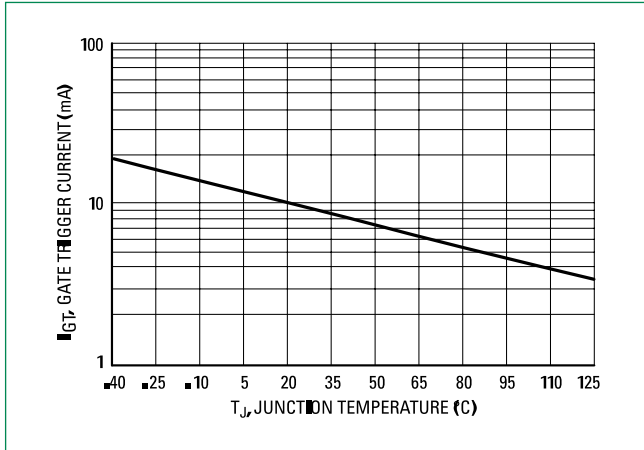
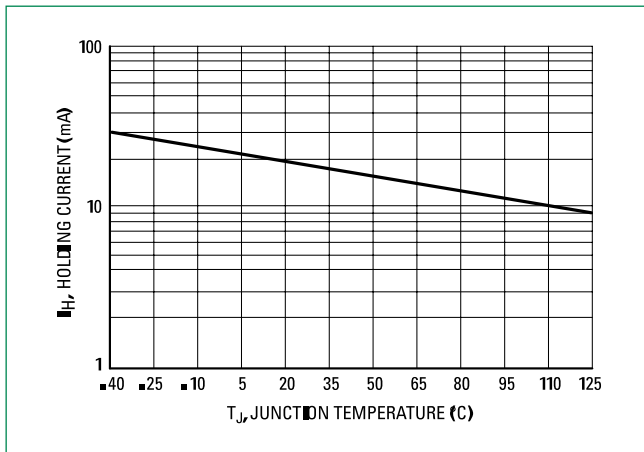


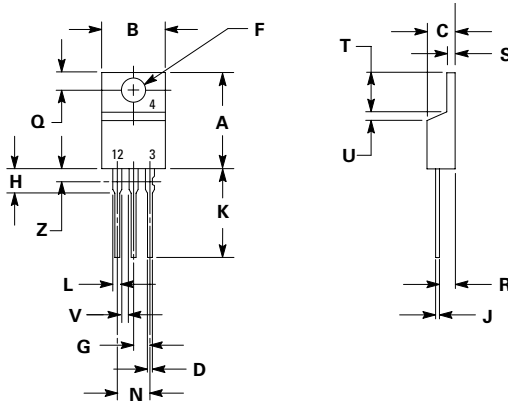
Figure 7. Typical Gate Trigger Voltage vs. Junction Temperature



Figure 8. Typical Holding Current vs. Junction Temperature



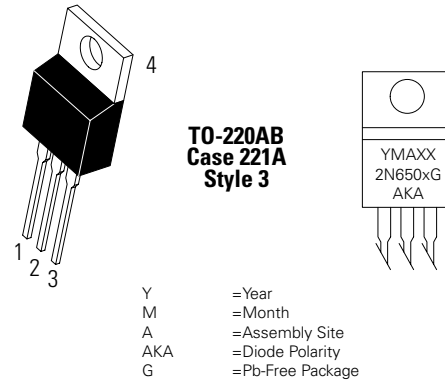
Dimensions



| Dim | Inches | | Millimeters | |
|-----|--------|-------|-------------|-------|
| | Min | Max | Min | Max |
| A | 0.590 | 0.620 | 14.99 | 15.75 |
| B | 0.380 | 0.420 | 9.65 | 10.67 |
| C | 0.178 | 0.188 | 4.52 | 4.78 |
| D | 0.025 | 0.035 | 0.64 | 0.89 |
| F | 0.142 | 0.147 | 3.61 | 3.73 |
| G | 0.095 | 0.105 | 2.41 | 2.67 |
| H | 0.110 | 0.130 | 2.79 | 3.30 |
| J | 0.018 | 0.024 | 0.46 | 0.61 |
| K | 0.540 | 0.575 | 13.72 | 14.61 |
| L | 0.060 | 0.075 | 1.52 | 1.91 |
| N | 0.195 | 0.205 | 4.95 | 5.21 |
| Q | 0.105 | 0.115 | 2.67 | 2.92 |
| R | 0.085 | 0.095 | 2.16 | 2.41 |
| S | 0.045 | 0.060 | 1.14 | 1.52 |
| T | 0.235 | 0.255 | 5.97 | 6.47 |
| U | 0.000 | 0.050 | 0.00 | 1.27 |
| V | 0.045 | --- | 1.15 | --- |
| Z | --- | 0.080 | --- | 2.04 |

1. DIMENSIONING AND TOLERANCING PER ANSI Y14.5M, 1982.
2. CONTROLLING DIMENSION: INCH.
3. DIMENSION Z DEFINES A ZONE WHERE ALL BODY AND LEAD IRREGULARITIES ARE ALLOWED.

Part Marking System



| Pin Assignment | |
|----------------|---------|
| 1 | Cathode |
| 2 | Anode |
| 3 | Gate |
| 4 | Anode |

Ordering Information

| Device | Package | Shipping |
|----------|--------------------|-----------------|
| 2N6504 | TO-220AB | 500 Units / Box |
| 2N6504G | TO-220AB (Pb-Free) | |
| 2N6505 | TO-220AB | |
| 2N6505G | TO-220AB (Pb-Free) | 500 Units / Box |
| 2N6505T | TO-220AB | |
| 2N6505TG | TO-220AB (Pb-Free) | 500 Units / Box |
| 2N6507 | TO-220AB | |
| 2N6507G | TO-220AB (Pb-Free) | 500 Units / Box |
| 2N6507T | TO-220AB | |
| 2N6507TG | TO-220AB (Pb-Free) | 500 Units / Box |
| 2N6508 | TO-220AB | |
| 2N6508G | TO-220AB (Pb-Free) | 500 Units / Box |
| 2N6508TG | TO-220AB | |
| 2N6509 | TO-220AB (Pb-Free) | 500 Units / Box |
| 2N6509G | TO-220AB | |
| 2N6509T | TO-220AB (Pb-Free) | 500 Units / Box |
| 2N6509TG | TO-220AB | |

Disclaimer Notice - Information furnished is believed to be accurate and reliable. However, users should independently evaluate the suitability of and test each product selected for their own applications. Littelfuse products are not designed for, and may not be used in, all applications. Read complete Disclaimer Notice at <http://www.littelfuse.com/disclaimer-electronics>.



Компания «ЭлектроПласт» предлагает заключение долгосрочных отношений при поставках импортных электронных компонентов на взаимовыгодных условиях!

Наши преимущества:

- Оперативные поставки широкого спектра электронных компонентов отечественного и импортного производства напрямую от производителей и с крупнейших мировых складов;
- Поставка более 17-ти миллионов наименований электронных компонентов;
- Поставка сложных, дефицитных, либо снятых с производства позиций;
- Оперативные сроки поставки под заказ (от 5 рабочих дней);
- Экспресс доставка в любую точку России;
- Техническая поддержка проекта, помощь в подборе аналогов, поставка прототипов;
- Система менеджмента качества сертифицирована по Международному стандарту ISO 9001;
- Лицензия ФСБ на осуществление работ с использованием сведений, составляющих государственную тайну;
- Поставка специализированных компонентов (Xilinx, Altera, Analog Devices, Intersil, Interpoint, Microsemi, Aeroflex, Peregrine, Syfer, Eurofarad, Texas Instrument, Miteq, Cobham, E2V, MA-COM, Hittite, Mini-Circuits, General Dynamics и др.);

Помимо этого, одним из направлений компании «ЭлектроПласт» является направление «Источники питания». Мы предлагаем Вам помощь Конструкторского отдела:

- Подбор оптимального решения, техническое обоснование при выборе компонента;
- Подбор аналогов;
- Консультации по применению компонента;
- Поставка образцов и прототипов;
- Техническая поддержка проекта;
- Защита от снятия компонента с производства.



Как с нами связаться

Телефон: 8 (812) 309 58 32 (многоканальный)

Факс: 8 (812) 320-02-42

Электронная почта: org@eplast1.ru

Адрес: 198099, г. Санкт-Петербург, ул. Калинина, дом 2, корпус 4, литера А.