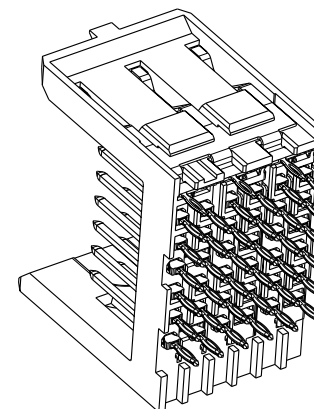
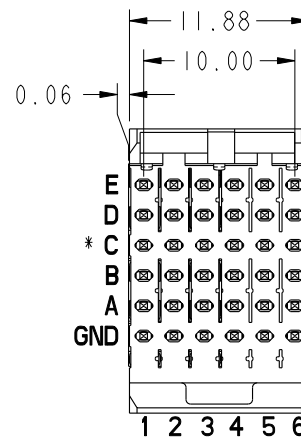
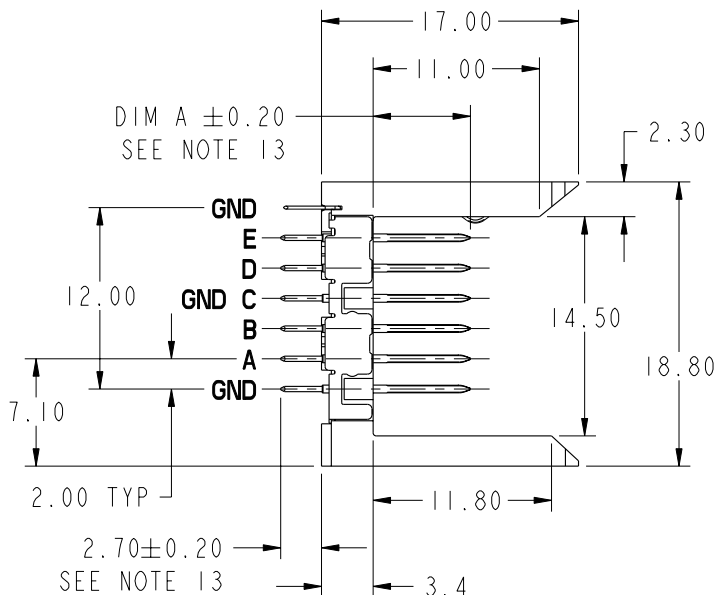
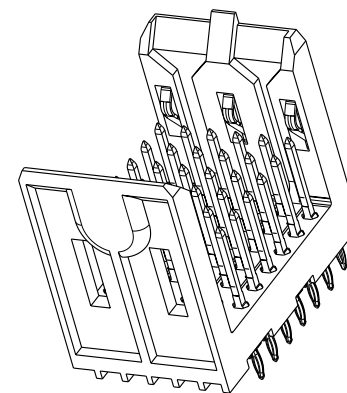
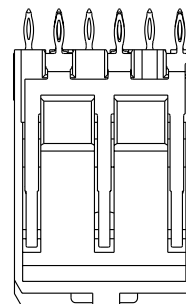


PRODUCT NUMBER	PLATING PERFORMANCE LEVEL	APPLICATION
59567-1YYY	TELCORDIA CO	STANDARD
59567-1YYYYLF		LEAD FREE
59567-5YYY	TELCORDIA UE	STANDARD
59567-5YYYYLF		LEAD FREE



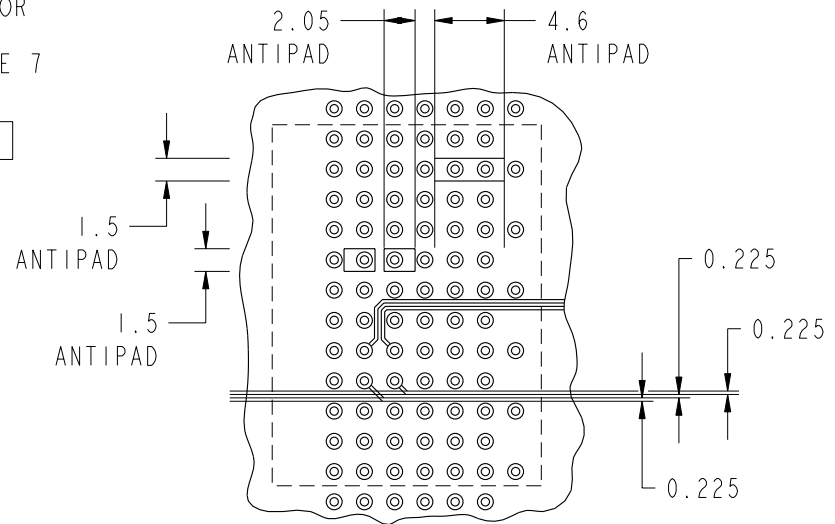
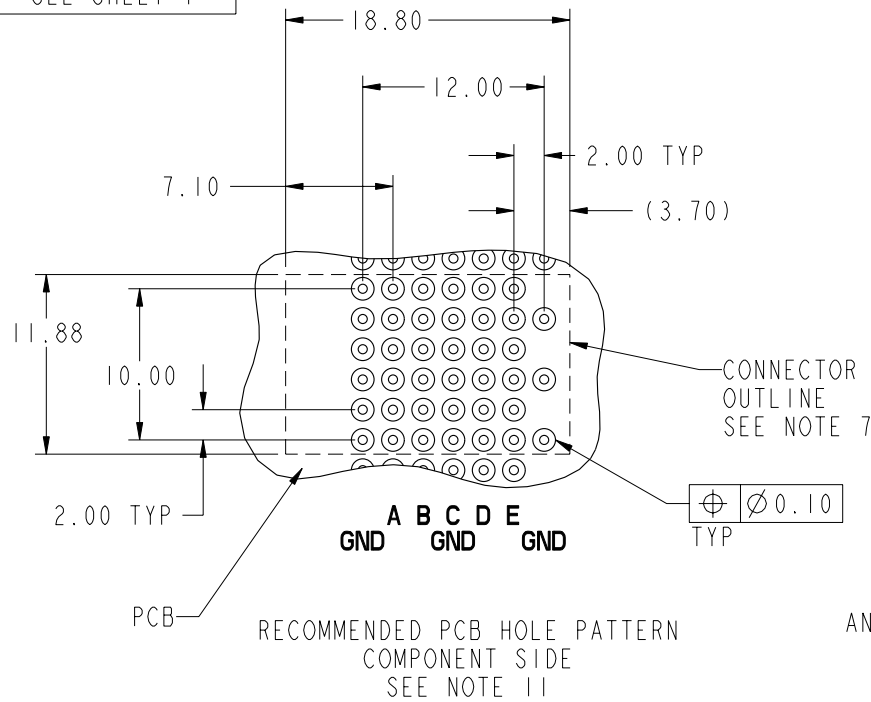
This document is the property of and embodies CONFIDENTIAL and PROPRIETARY information of FCI. No part of the information shown on this document may be used in any way or disclosed to others without the written consent of FCI. Copyright FCI.

***ROW C INFORMATION**
 ODD NUMBER COLUMNS WITHIN ROW C ARE COMMONED TO GROUND INTERNALLY WITHIN THE HOUSING. THE EVEN NUMBER COLUMNS WITHIN ROW C ARE NOT. FOR MAXIMUM PERFORMANCE IT IS RECOMMENDED THESE EVEN COLUMNS BE GROUND COMMONED WITHIN PCB. SEE NOTE 12

mat'l code SEE TABLE				tolerances unless otherwise specified		CUSTOMER	www.fciconnect.com	
ltr	ecn no.	dr	date	linear	0.X ±0.3	COPY	title	
H	V06-0115	LP	2006/04/21		0.XX ±0.13	projection	VERTICAL SIGNAL HDR 5 ROW	
J	V07-0188	DCH	2007-04-24		.XXX ±.051		P.F. 30 POS. SELECT LOAD EXT.	
K	V07-0696	HTB	2007-11-28	angles	0° ±2°		product family	METRAL 4000
-	-	-	-	dr	E. KROPER.	2001-10-25	code	213
E	V05-0191	DAI	2005-04-15	engr	J. VOLSTORF	2001-10-25	size	dwg no
F	V05-0722	TAB	2005-08-04	chr	J. VOLSTORF	2001-10-25	A	59567
G	V06-0335	LP	2006-04-11	appd	J. VOLSTORF	2001-10-25		sheet
sheet index	revision sheet	K 1	K 2	K 3	K 4		cage code	22526

PRODUCT NUMBER
SEE SHEET 1

PRESS-FIT HOLES	OPTION 1	OPTION 2
HOLE DIAMETER AFTER PLATING	0.45-0.55	0.48-0.57
DRILLED HOLE	0.60±0.02	0.60±0.02
COPPER PLATING	0.025 MIN-0.050 MAX.	0.025 MIN-0.050 MAX.
SnPb PLATING	0.005-0.015	---




mat'l code SEE TABLE				tolerances unless otherwise specified		CUSTOMER		FCj www.fciconnect.com			
ltr	ecr no.	dr	date	linear	0.X ±0.3	COPY		projection	title VERTICAL SIGNAL HDR 5 ROW P.F. 30 POS. SELECT LOAD EXT.		
K					0.XX ±0.13	MM				product family METRAL 4000	code 213
					.XXX ±.051	← MM →					
				angles	0° ±2°	scale 2:1		dwg no 59567	cage code 22526		
				dr	E. KROPER. 2001-10-25					A	2
				enrg	J. VOLSTORF 2001-10-25						
				chr	J. VOLSTORF 2001-10-25						
				appd	J. VOLSTORF 2001-10-25						
sheet index	revision sheet										

This document is the property of and embodies
 CONFIDENTIAL and PROPRIETARY information of FCj.
 No part of the information shown on this
 document may be used in any way or disclosed
 to others without the written consent of FCj.
 Copyright FCj.


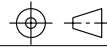
PRODUCT NUMBER
SEE SHEET 1

NOTES:

1. SEE APPLICATION SPECIFICATION GS-20-014 FOR INFORMATION ON AVAILABLE TOOLING, CIRCUIT BOARD DESIGN CONSIDERATIONS, REPAIR PROCEDURES AND PRODUCT OFFERINGS.
SEE PRODUCT SPECIFICATION GS-12-184.
2. UNLESS OTHERWISE SPECIFIED, ALL DIMENSIONS AND TOLERANCES ARE IN ACCORDANCE WITH ASME Y14.5, 1994
3. HOUSING MATERIAL: LIQUID CRYSTAL POLYMER, 30% GLASS FILLED, FLAME RETARDANT PER UL 94-V0.
PIN MATERIAL: PHOSPHOR BRONZE
GROUND SPRING MATERIAL: PHOSPHOR BRONZE
STRIPLINE SHIELD MATERIAL: PHOSPHOR BRONZE
4. PLATING INFORMATION: PLATING ON CONTACT AREAS MEETS PERFORMANCE LEVELS SHOWN IN TABLE ON SHEET 1. PLATING ON "LF" TAILS IS Sn ONLY. ALL OTHERS ARE TIN-LEAD.
5. DIMENSIONAL RESTRICTIONS OF PINS IN HEADERS.
FOR USE WITH METRAL 4000 RECEPTACLES.
DIM A : 5.00mm MIN, 6.50mm MAX FOR ROWS A,B,D,E
DIM A : 5.00mm MIN, 8.00mm MAX FOR ROWS C-F
DIM A : 5.00mm MIN, 5.75mm MAX FOR ROWS GND
FOR USE WITH METRAL 1000 RECEPTACLES
DIM A : 5.00mm MIN, 8.00mm MAX FOR ROWS A,B,C,D,E
DIM A : 5.00mm MIN, 5.75mm MAX FOR ROW GND
6. THE MIN PCB THICKNESS FOR FRONT PLUG-UP APPLICATIONS IS 1.6mm.
7. THE 'CONNECTOR OUTLINE' IS THE MIN OUTLINE REQUIRED. TO DETERMINE THE OUTLINE NECESSARY TO PERMIT THE VARIOUS TYPES OF REPAIR OPERATIONS, SEE APPLICATION SPECIFICATION GS-20-010.
8. CURRENT RATING : 1 AMP PER PIN
9. TEMPERATURE RANGE : -55°C TO +105°C
10. P/N 59567-XXXXLF


LEAD FREE (OPTIONAL)
SELECT LOAD PATTERN
PLATING CODE
11. AVOID TRACES ON TOP OF BOARD DUE TO EXPOSED GROUND SHIELD.
12. FOR FRONT PLUG-UP APPLICATIONS, THE EVEN NUMBERED PINS IN ROW "C" CAN BE USED FOR POWER AS WELL AS GROUND. IF THE SURROUNDING PINS ARE NOT USED FOR POWER, THEN EACH PIN CAN CARRY 3 AMPS. IF THE SURROUNDING PINS ARE USED FOR POWER, THEN EACH PIN CAN CARRY 1 AMP. WHEN THE SURROUNDING PINS ARE USED ONLY FOR LOW SPEED SIGNALS, THEN THE EVEN NUMBERED "C" ROW PINS CAN ALSO BE USED FOR LOW SPEED SIGNALS.
13. AFTER INSERTION INTO CIRCUIT BOARD WITH QUALIFIED TOOL.
14. THE PRODUCTS WHERE THE PART NUMBER ENDS IN LF MEET THE EUROPEAN UNION DIRECTIVES AND OTHER COUNTRY REGULATIONS AS DESCRIBED IN GS-22-008.

ALL PRODUCTS WILL WITHSTAND EXPOSURE TO 260°C FOR 60 SECONDS IN A CONVECTION, INFRA-RED OR VAPOR PHASE REFLOW OVEN.
15. FOR LEAD FREE PART NUMBERS, ADD AN "LF" SUFFIX.
EXAMPLE: 59567-X001LF
16. EQUIVALENT PRECIOUS METAL PLATINGS MAY BE SUBSTITUTED.

mat'l code SEE TABLE				tolerances unless otherwise specified		CUSTOMER		 www.fciconnect.com		
ltr	ecn no.	dr	date	linear	0.X ±0.3	COPY		 projection	title VERTICAL SIGNAL HDR 5 ROW P.F. 30 POS. SELECT LOAD EXT.	
K					0.XX ±0.13	MM				product family METRAL 4000 code size dwg no A 59567 213 sheet 3
						0° ±2°	2:1			
				angles						
				dr	E. KROPER.	2001-10-25				
				engr	J. VOLSTORF	2001-10-25				
				chr	J. VOLSTORF	2001-10-25				
				appd	J. VOLSTORF	2001-10-25				
sheet index	revision sheet									

This document is the property of and embodies CONFIDENTIAL and PROPRIETARY information of FCI. No part of the information shown on this document may be used in any way or disclosed to others without the written consent of FCI. Copyright FCI.

SELECT LOAD PATTERNS


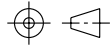
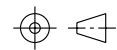

PRODUCT #	ROW	COLUMN					
		1	2	3	4	5	6
59567-X002 59567-X002LF SEE NOTE 15	E	02	02	02	02	02	02
	D	02	02	02	02	02	02
	C	02	02	02	02	02	02
	B	02	02	02	02	02	02
	A	02	02	02	02	02	02
	GND	-	02	-	02	-	02

PRODUCT #	ROW	COLUMN					
		1	2	3	4	5	6
59567-X003 59567-X003LF SEE NOTE 15	E	02	02	02	02	02	02
	D	02	02	02	02	02	02
	C	03	03	03	03	03	03
	B	02	02	02	02	02	02
	A	03	03	02	02	02	02
	GND	02	02	02	02	02	02

PRODUCT #	ROW	COLUMN					
		1	2	3	4	5	6
59567-X004 59567-X004LF SEE NOTE 15	E	02	02	02	02	02	02
	D	02	02	02	02	02	02
	C	02	02	02	02	02	02
	B	02	02	02	02	02	02
	A	03	02	02	02	02	02
	GND	02	02	02	02	02	02

PRODUCT #	ROW	COLUMN					
		1	2	3	4	5	6
59567-X005 59567-X005LF SEE NOTE 15	E	02	02	02	02	02	02
	D	02	02	02	02	02	02
	C	03	03	03	03	03	03
	B	02	02	02	02	02	02
	A	03	02	02	02	02	02
	GND	02	02	02	02	02	02

DIM A	PIN CODES
5.00	01
5.75	02
6.50	03
7.25	04
8.00	*19

mat'l code SEE TABLE				tolerances unless otherwise specified		CUSTOMER		 www.fciconnect.com		
ltr	ecn no.	dr	date	linear	0.X ±0.3		COPY			
K					0.XX ±0.13		projection			title VERTICAL SIGNAL HDR 5 ROW P.F. 30 POS. SELECT LOAD EXT.
					.XXX ±.051					
				angles	0° ±2°					
				dr	E. KROPER.	2001-10-25	MM		product family METRAL 4000	code
				engr	J. VOLSTORF	2001-10-25			size	213
				chr	J. VOLSTORF	2001-10-25	scale 2:1		dwg no	sheet
				appd	J. VOLSTORF	2001-10-25			59567	4
sheet index	revision sheet									



This document is the property of and embodies CONFIDENTIAL and PROPRIETARY information of FCj. No part of the information shown on this document may be used in any way or disclosed to others without the written consent of FCj. Copyright FCj.



Компания «ЭлектроПласт» предлагает заключение долгосрочных отношений при поставках импортных электронных компонентов на взаимовыгодных условиях!

Наши преимущества:

- Оперативные поставки широкого спектра электронных компонентов отечественного и импортного производства напрямую от производителей и с крупнейших мировых складов;
- Поставка более 17-ти миллионов наименований электронных компонентов;
- Поставка сложных, дефицитных, либо снятых с производства позиций;
- Оперативные сроки поставки под заказ (от 5 рабочих дней);
- Экспресс доставка в любую точку России;
- Техническая поддержка проекта, помощь в подборе аналогов, поставка прототипов;
- Система менеджмента качества сертифицирована по Международному стандарту ISO 9001;
- Лицензия ФСБ на осуществление работ с использованием сведений, составляющих государственную тайну;
- Поставка специализированных компонентов (Xilinx, Altera, Analog Devices, Intersil, Interpoint, Microsemi, Aeroflex, Peregrine, Syfer, Eurofarad, Texas Instrument, Miteq, Cobham, E2V, MA-COM, Hittite, Mini-Circuits, General Dynamics и др.);

Помимо этого, одним из направлений компании «ЭлектроПласт» является направление «Источники питания». Мы предлагаем Вам помощь Конструкторского отдела:

- Подбор оптимального решения, техническое обоснование при выборе компонента;
- Подбор аналогов;
- Консультации по применению компонента;
- Поставка образцов и прототипов;
- Техническая поддержка проекта;
- Защита от снятия компонента с производства.



Как с нами связаться

Телефон: 8 (812) 309 58 32 (многоканальный)

Факс: 8 (812) 320-02-42

Электронная почта: org@eplast1.ru

Адрес: 198099, г. Санкт-Петербург, ул. Калинина, дом 2, корпус 4, литера А.