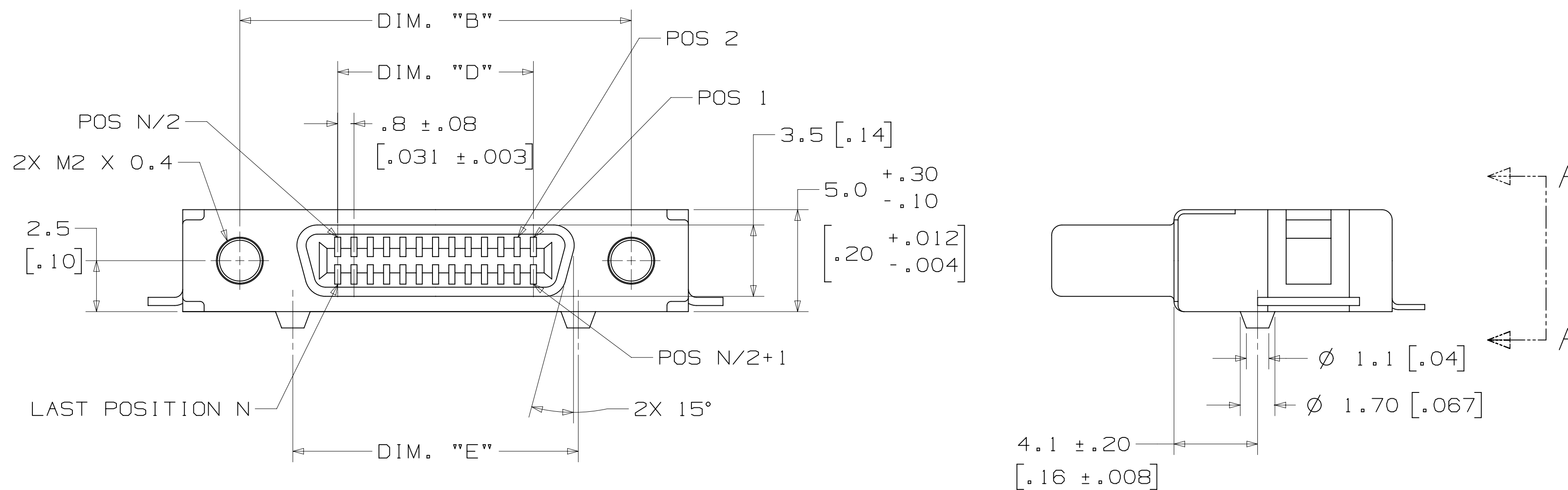
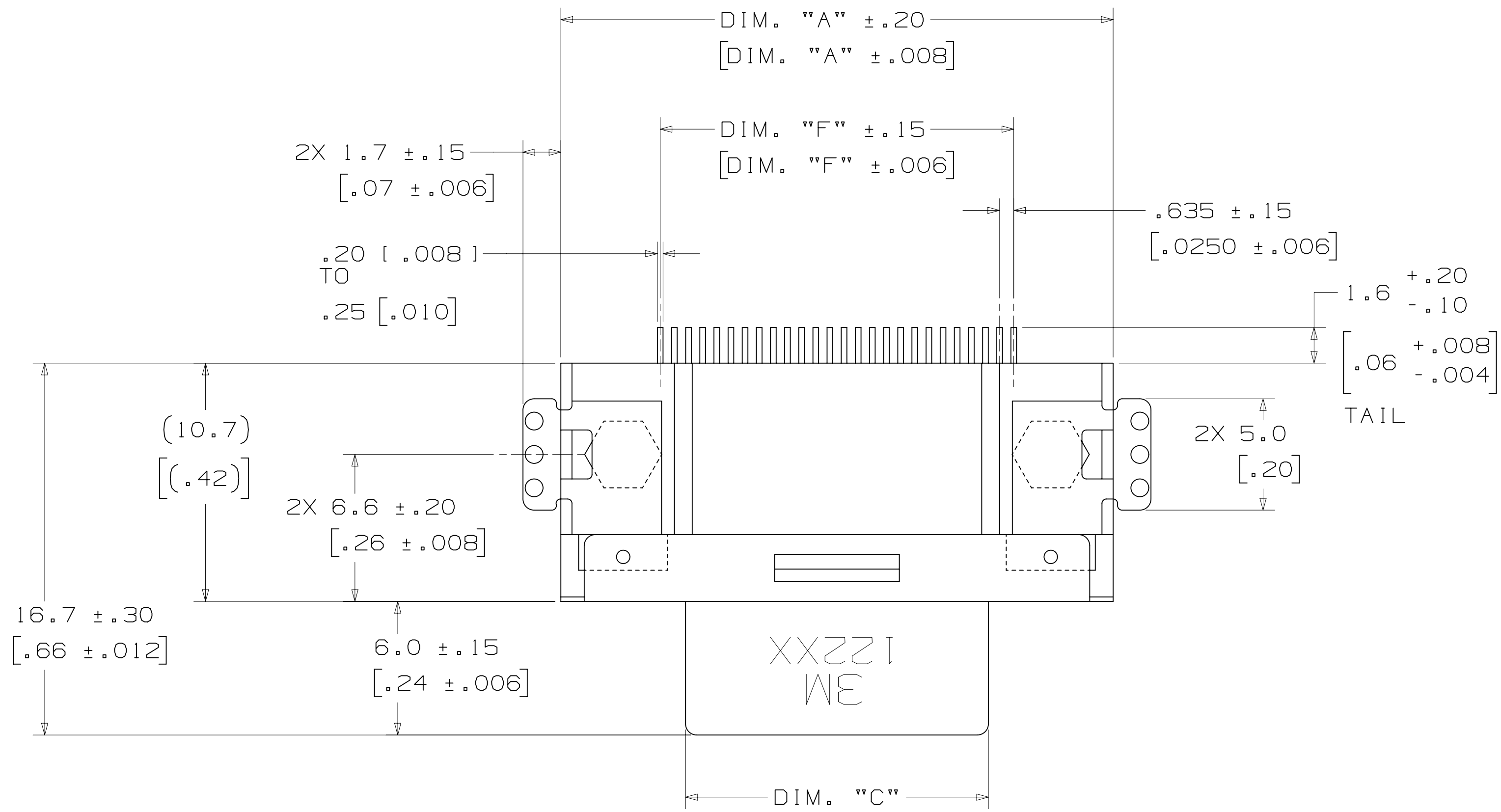


3M™ Shrunk Delta Ribbon (SDR) Connectors, 122 Series
 .80 mm Surface Mount, Right Angle Receptacle, Shielded



POSITION	DIM. "A"	DIM. "B"	DIM. "C"	DIM. "D"	DIM. "E"	DIM. "F"	DIM. "G"
14	20.0 [.79]	14.4 [.57]	8.8 [.35]	4.8 [.19]	9.2 [.36]	8.255 [.3250]	19.0 [.75]
26	24.8 [.98]	19.2 [.76]	13.6 [.54]	9.6 [.38]	14.0 [.55]	15.875 [.6250]	23.8 [.94]

CONNECTOR DIMENSION TABLE
TABLE 1

cru
us
UL FILE NO: E68080

NOTES

- MATERIAL:
 INSULATION: 14 PIN: PPS, 26 PIN: LCP
 COLOR: BLACK, UL94V-0

CONTACT: COPPER ALLOY
 PLATING:
 SEE ORDERING INFO SHEET 2

SHROUD & LATCH HOOK: STEEL
 PLATING: NICKEL

GROUND LOCK: COPPER ALLOY
 PLATING: SEMI-BRIGHT TIN OVER NICKEL

LOCK SCREW: STEEL
 PLATING: NICKEL

ALIGNMENT PLATE: PPS
 COLOR: BLACK, UL94V-0

EARTH PLATE: COPPER ALLOY
 PLATING: TIN

HEX NUT: BRASS
- MARKING: 3M LOGO AND PART NUMBER.
- ELECTRICAL:
 CURRENT RATING: 0.5 A
 INSULATION RESISTANCE: 500 MΩ MIN AT 250 V_{DC}
 WITHSTANDING VOLTAGE: 350 V_{AC} FOR 1 MINUTE
- ENVIRONMENTAL:
 TEMPERATURE RATING:
 -40°C TO +70°C
 PROCESS RATING:
 REFLOW: PREHEAT 150° TO 180°C,
 90 TO 120 SECONDS
 SOLDERING: OVER 220°C,
 30 TO 60 SECONDS, PEAK TEMPERATURE
 IS 250°C MAX.
 SOLDER IRON: 380°C MAX, 3 SECONDS MAX.
- IN THE EVENT OF CONFLICT BETWEEN THIS DATA AND THAT CONTAINED IN THE PRODUCT SPECIFICATION, THE PRODUCT SPECIFICATION TAKES PRECEDENT.
- FOR VARIOUS PANEL THICKNESS JACKSOCKETS REFER TO TS-0142.
- SEE REGULATORY INFORMATION APPENDIX (RIA) IN THE "RoHS COMPLIANCE" SECTION OF WWW.3MCONNECTOR.COM FOR COMPLIANCE INFORMATION.

DIMENSIONS ARE IN MM.
 SECONDARY ARE IN [INCHES]
 AND ARE FOR REFERENCE ONLY

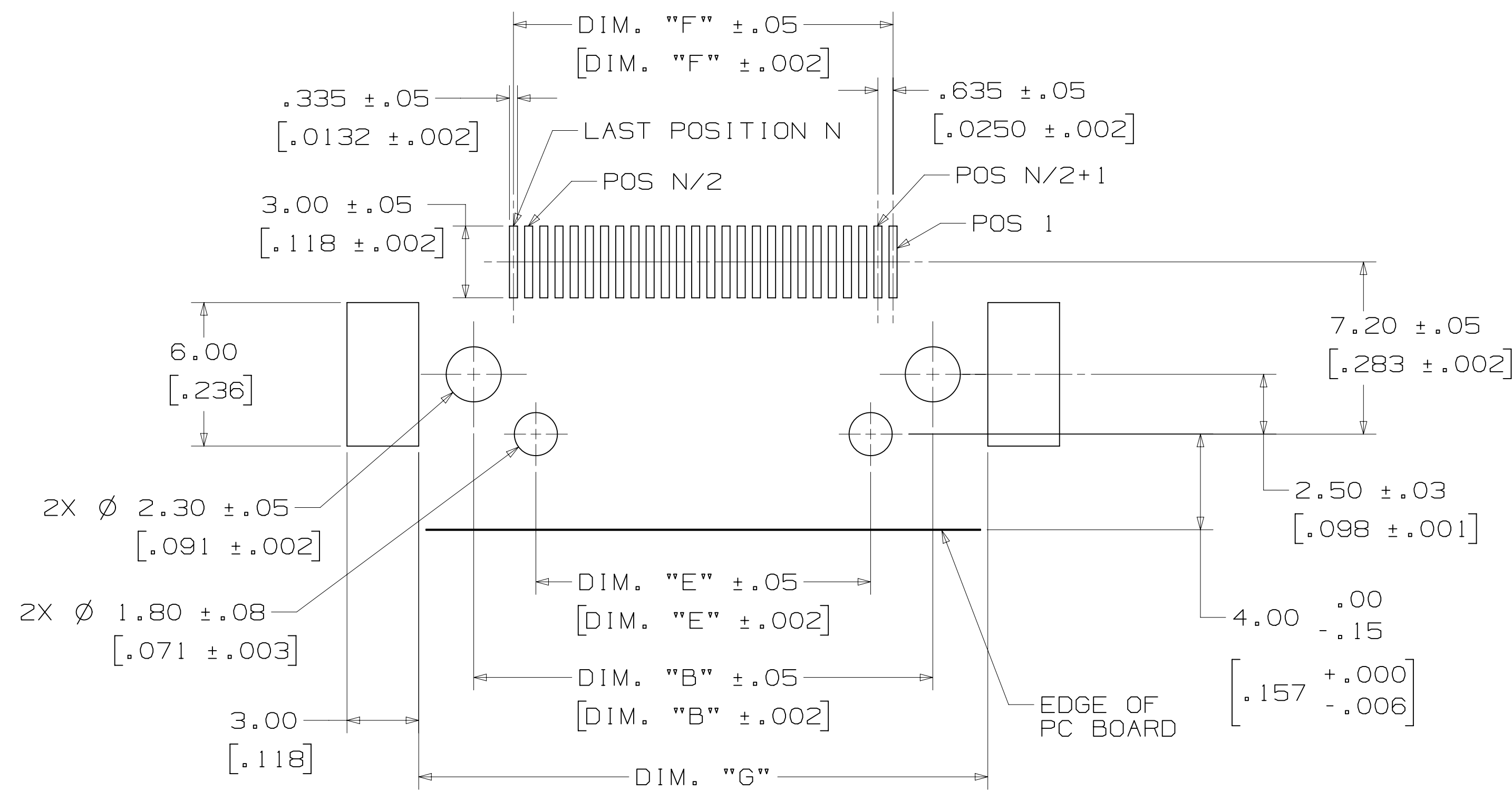
DESIGN REFERENCE	NEXT ASSEMBLY	REV	ECO	ISSUE DATE AND DESCRIPTION	DRFT	CHKD
DIVISION Interconnect Solutions DO NOT SCALE DRAWING THIRD ANGLE PROJECTION INTERPRET PER ASME Y14.5 - 1994 MAX SURFACE ROUGHNESS MARKED ONLY	DIVISION CODE ISD SCALE 1 TOLERANCES EXCEPT AS NOTED INCHES .00 ±.006 .000 ±.006 .0000 ±.005 MILLIMETERS 0 ± .0 ±.15 .00 ±.15 .000 ±.13 ANGLES ° ±.5	DATE JAN 07, 2011 DATE JAN 07, 2011 APPV D. CRONCH DATE MAR 30, 2011	DATE MAY 01, 2012 ADD 'PL' PLATING SPEC JAN 05, 2011 REVISED AND REDRAWN	MFG DATE DATE DATE	ARM DFC	JNC SC

<p>3M Center St. Paul, MN 55144</p>	© 3M COPYRIGHT 2012 This document and the information it contains are 3M property and may not be reproduced or further distributed without 3M permission, or used or disclosed other than for 3M authorized purposes. All rights reserved.	
	TITLE 3M SHRUNK DELTA RIBBON (SDR) CONN. 122XX-82X0-00XX	
CAGE NUMBER D 12200	DRAWING NO. 78-5100-2125-2	REV. F

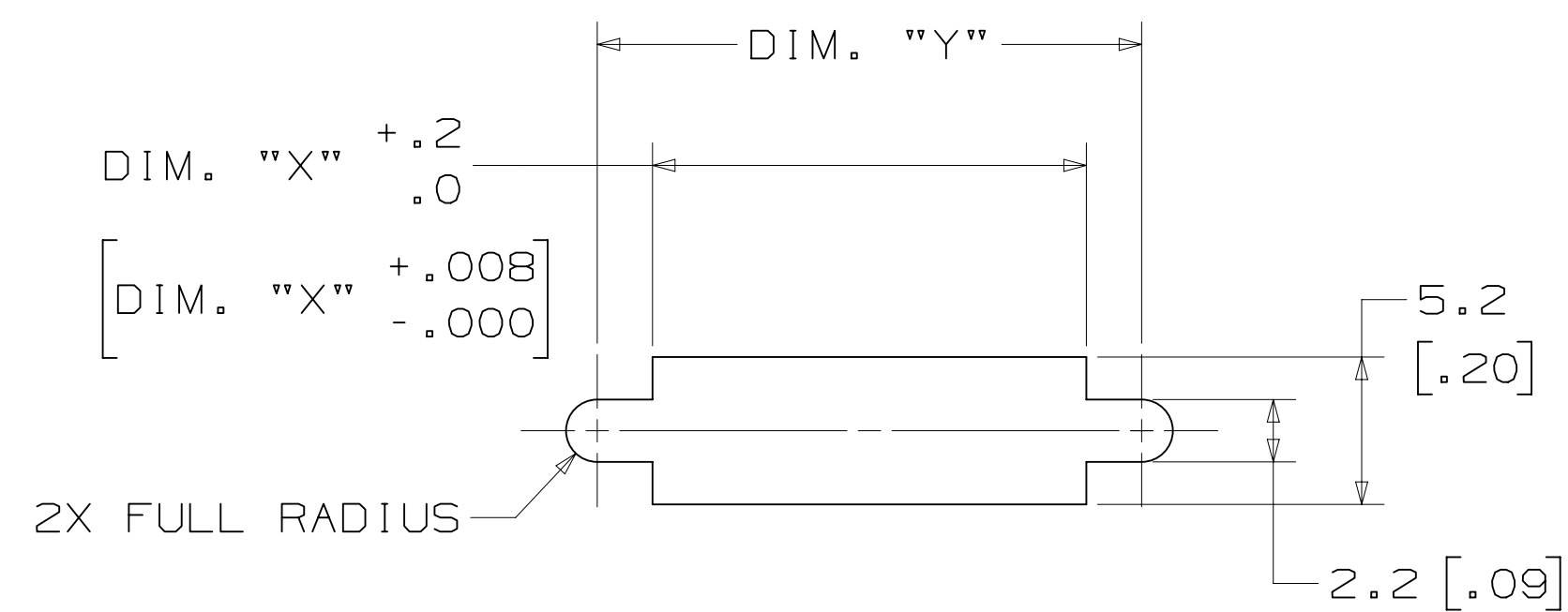
DRAWING NUMBER: 78-5100-2125-2 REVISION: F

3M™ Shrunk Delta Ribbon (SDR) Connectors, 122 Series

.80 mm Surface Mount, Right Angle Receptacle, Shielded



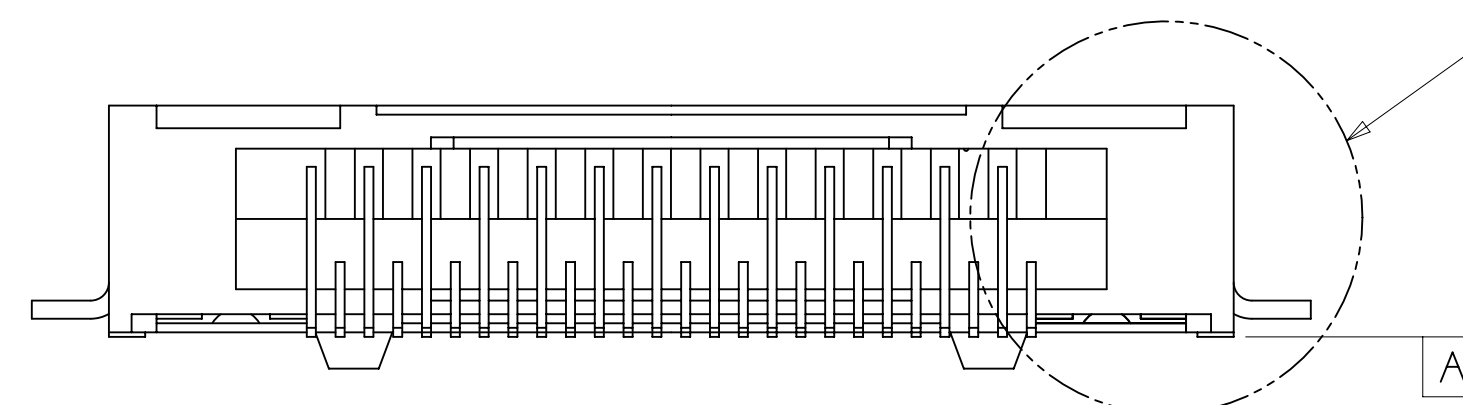
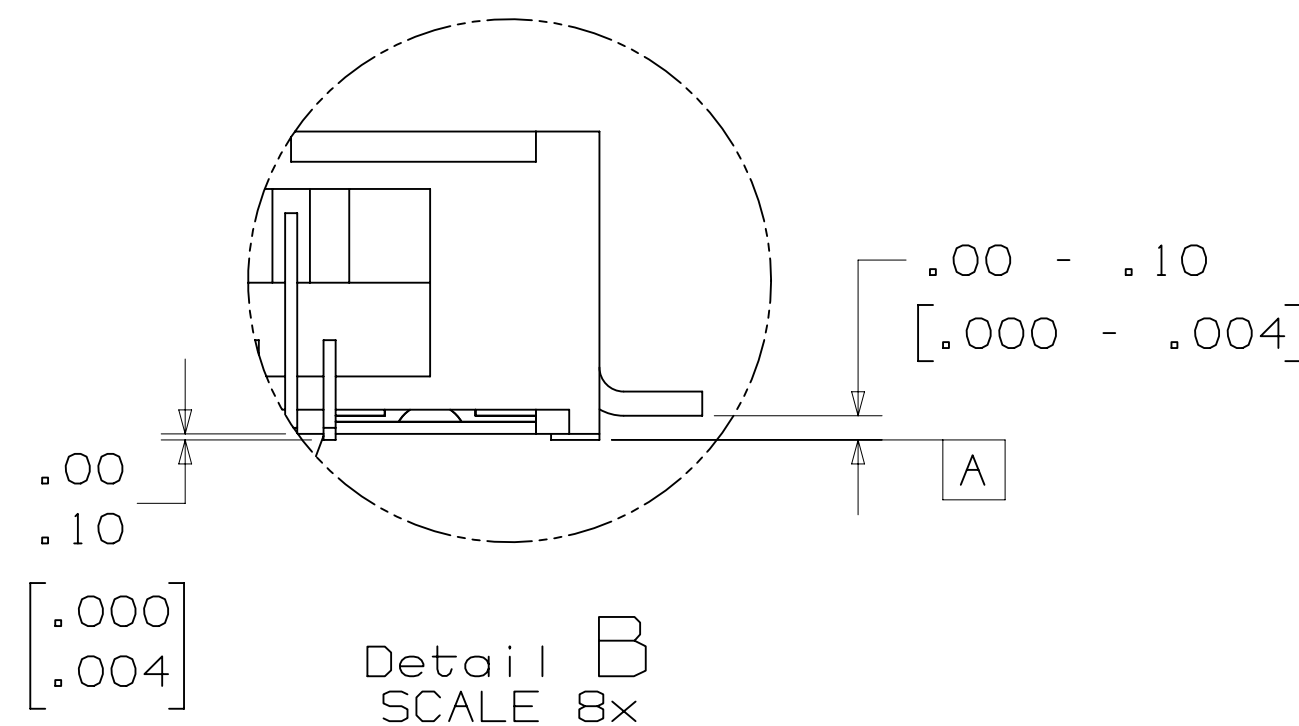
RECOMMENDED PC BOARD LAYOUT
(MOUNT SIDE VIEW)
N = TOTAL NUMBER OF POSITIONS
SCALE 6X



RECOMMENDED PANEL CUT-OUT
(MAXIMUM PANEL THICKNESS 1.2MM)

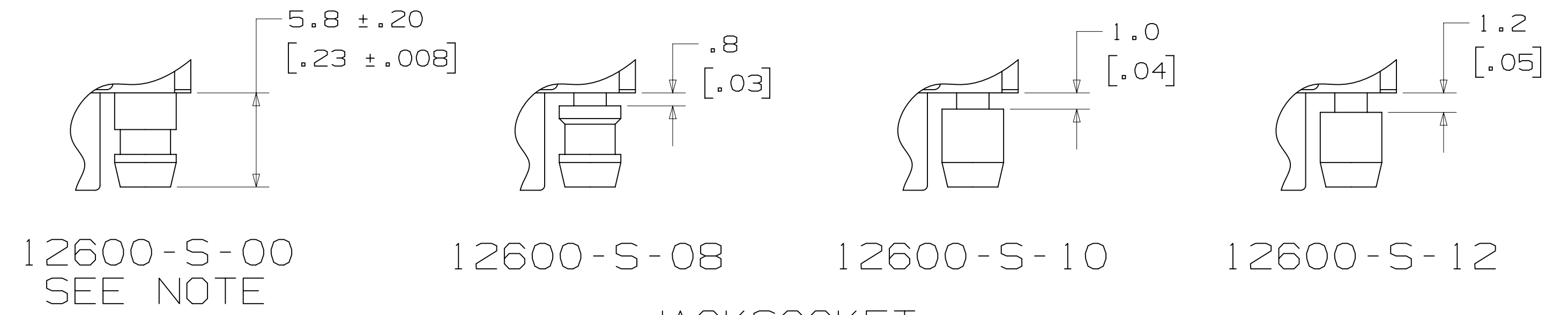
POSITION	DIM. "X"	DIM. "Y"
14	10.5 [.41]	14.4 [.57]
26	15.3 [.60]	19.2 [.76]

RECOMMENDED PANEL CUT-OUT DIMENSION TABLE
TABLE 2



VIEW A-A
SCALE 6X

THE DIMENSION OF PIN TAILS LOWER SURFACE TO DATUM "A" SURFACE: 0.00 TO 0.10 [.000 TO .004].
NOTE: THE CONNECTOR SHOULD BE ON FLAT FIXTURE SURFACE WHEN THE DIMENSIONS ARE MEASURED.



JACKSOCKET
M2 X 0.4

NOTE: JACKSOCKET 12600-S-00 COMES FACTORY INSTALLED IN CONNECTOR 122XX-8250-00FR. IT IS FIXED WITH THREAD LOCKING ADHESIVE AND CANNOT BE REMOVED.

PANEL THICKNESS	CONNECTOR	JACKSOCKET
NO PANEL	122XX-8250-00XX	FACTORY INSTALLED (SEE NOTE)
0.8±0.1MM	122XX-8200-00XX	12600-S-08 (ORDER SEPARATELY)
1.0±0.1MM	122XX-8200-00XX	12600-S-10 (ORDER SEPARATELY)
1.2±0.1MM	122XX-8200-00XX	12600-S-12 (ORDER SEPARATELY)

SELECTION TABLE FOR PANEL MOUNTING
TABLE 3

ORDERING INFORMATION:

122XX-82X0-00XX

CONTACT QUANTITY
(SEE TABLE 1)

PLATING OPTION:

FR = 50-100µ" NICKEL UNDERPLATE
30µ" GOLD MIN. WIPE AREA
FLASH GOLD TERM AREA (TAIL)

PL = 50-100µ" NICKEL UNDERPLATE
8µ" GOLD MIN. WIPE AREA
FLASH GOLD TERM AREA (TAIL)

SCREW LOCK OPTION: (SEE TABLE 3)

0=NONE
(RIA E1 & C1 APPLY)
5=WITH 12600-S-00 NON-REMOVABLE SCREW LOCK
(RIA E5 & C3 APPLY)

DESIGN REFERENCE	NEXT ASSEMBLY	REV	ECO	ISSUE DATE AND DESCRIPTION	DRFT	CHKD
		F	40541	MAY 01, 2012 ADD 'PL' PLATING SPEC	ARM	DFC
		E	30752	JAN 05, 2011 REVISED AND REDRAWN	JNC	SC
				JAN 07, 2011 DATE		
				JAN 07, 2011 DATE		
				JAN 07, 2011 DATE		

3M Center St. Paul, MN 55144	© 3M COPYRIGHT 2012 This document and the information it contains are 3M property and may not be reproduced or further distributed without 3M permission, or used or disclosed other than for 3M authorized purposes. All rights reserved.
TITLE 3M SHRUNK DELTA RIBBON (SDR) CONN. 122XX-82X0-00XX	CAGE NUMBER D 78-5100-2125-2
MODEL 12200	REV. F

78-5100-2125-2

DRAWING NUMBER

REVISION

SHT 2 OF 2



Компания «ЭлектроПласт» предлагает заключение долгосрочных отношений при поставках импортных электронных компонентов на взаимовыгодных условиях!

Наши преимущества:

- Оперативные поставки широкого спектра электронных компонентов отечественного и импортного производства напрямую от производителей и с крупнейших мировых складов;
- Поставка более 17-ти миллионов наименований электронных компонентов;
- Поставка сложных, дефицитных, либо снятых с производства позиций;
- Оперативные сроки поставки под заказ (от 5 рабочих дней);
- Экспресс доставка в любую точку России;
- Техническая поддержка проекта, помощь в подборе аналогов, поставка прототипов;
- Система менеджмента качества сертифицирована по Международному стандарту ISO 9001;
- Лицензия ФСБ на осуществление работ с использованием сведений, составляющих государственную тайну;
- Поставка специализированных компонентов (Xilinx, Altera, Analog Devices, Intersil, Interpoint, Microsemi, Aeroflex, Peregrine, Syfer, Eurofarad, Texas Instrument, Miteq, Cobham, E2V, MA-COM, Hittite, Mini-Circuits, General Dynamics и др.);

Помимо этого, одним из направлений компании «ЭлектроПласт» является направление «Источники питания». Мы предлагаем Вам помощь Конструкторского отдела:

- Подбор оптимального решения, техническое обоснование при выборе компонента;
- Подбор аналогов;
- Консультации по применению компонента;
- Поставка образцов и прототипов;
- Техническая поддержка проекта;
- Защита от снятия компонента с производства.



Как с нами связаться

Телефон: 8 (812) 309 58 32 (многоканальный)

Факс: 8 (812) 320-02-42

Электронная почта: org@eplast1.ru

Адрес: 198099, г. Санкт-Петербург, ул. Калинина, дом 2, корпус 4, литера А.