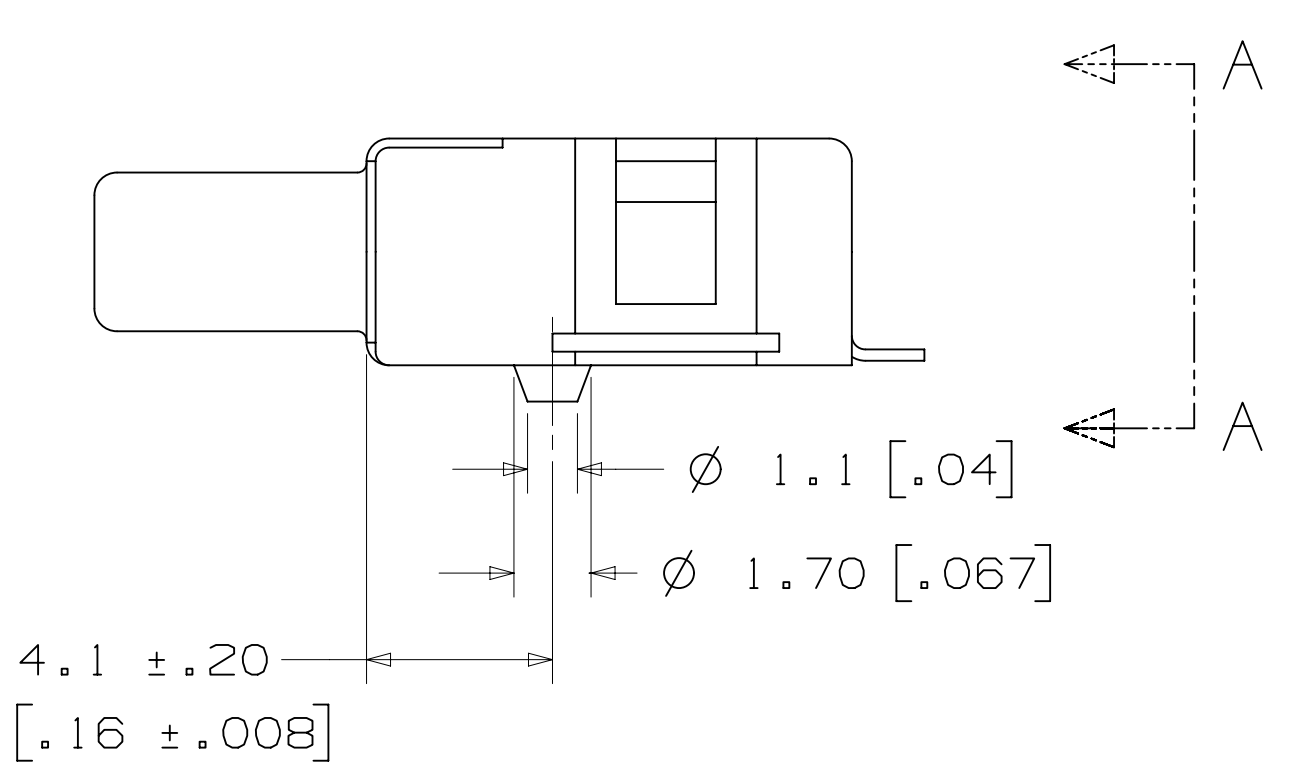
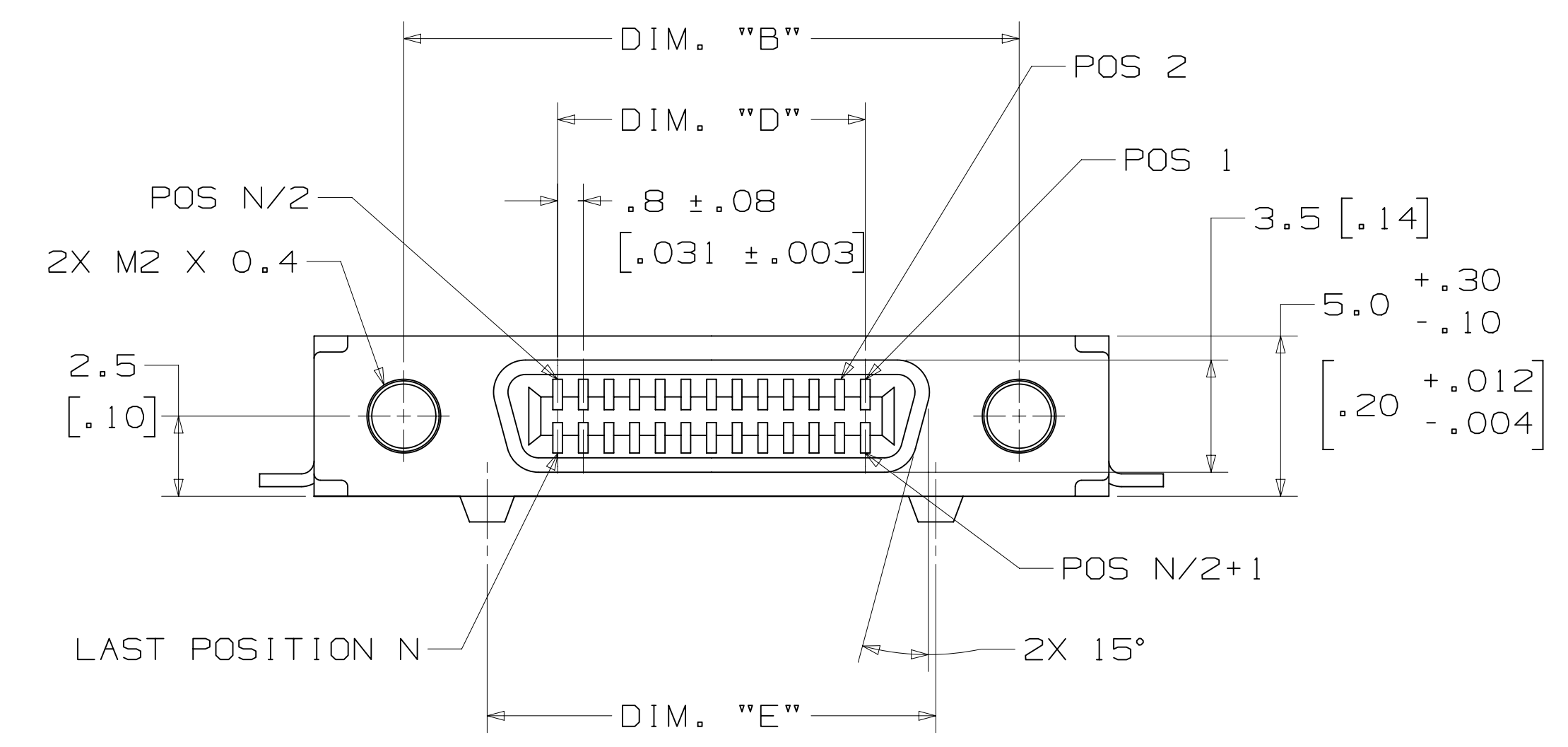
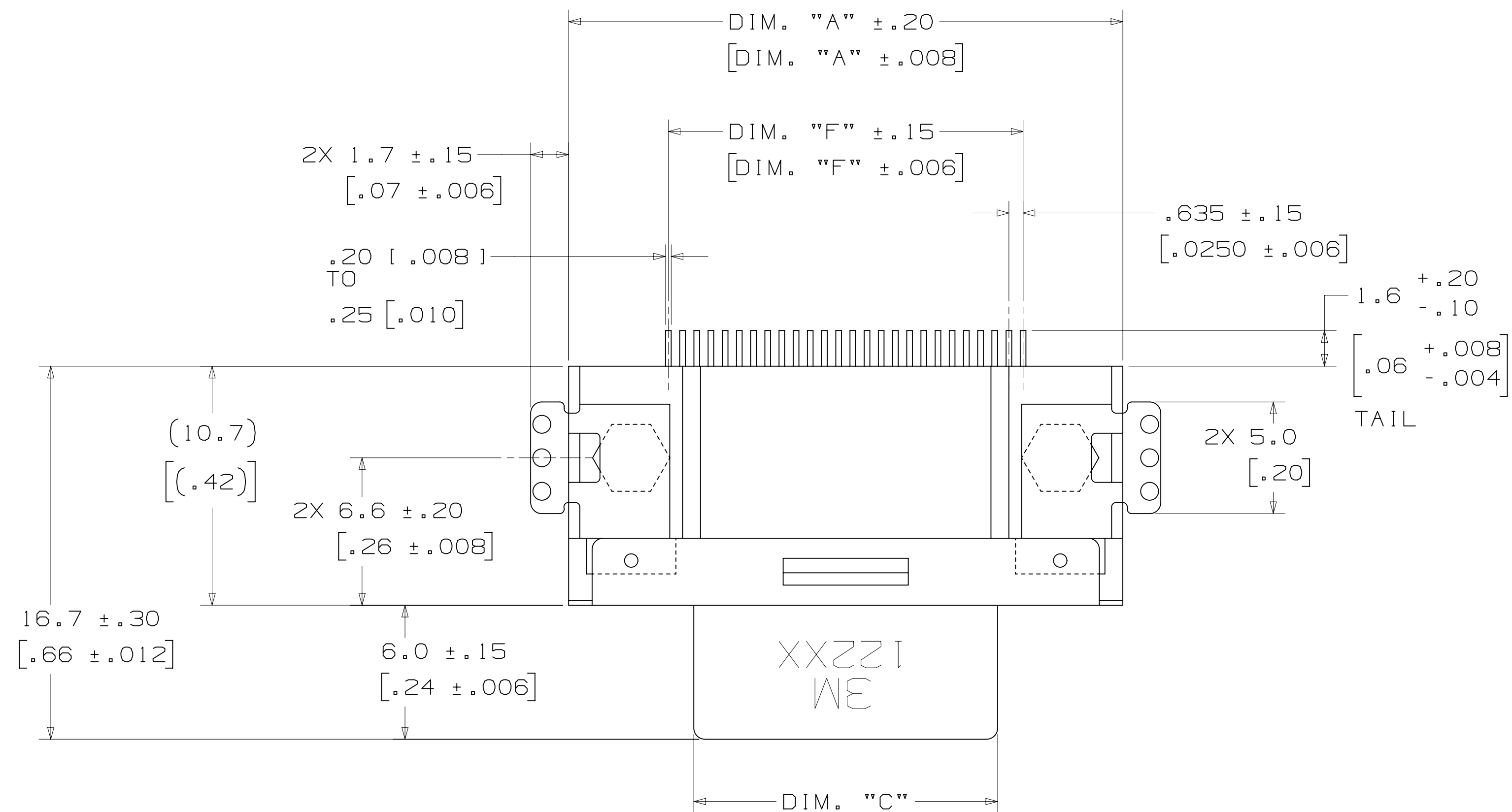


3M™ Shrunk Delta Ribbon (SDR) Connectors, 122 Series
 .80 mm Surface Mount, Right Angle Receptacle, Shielded



- NOTES
- MATERIAL:
 INSULATION: 14 PIN: PPS, 26 PIN: LCP
 COLOR: BLACK, UL94V-0

 CONTACT: COPPER ALLOY
 PLATING:
 SEE ORDERING INFO SHEET 2

 SHROUD & LATCH HOOK: STEEL
 PLATING: NICKEL

 GROUND LOCK: COPPER ALLOY
 PLATING: SEMI-BRIGHT TIN OVER NICKEL

 LOCK SCREW: STEEL
 PLATING: NICKEL

 ALIGNMENT PLATE: PPS
 COLOR: BLACK, UL94V-0

 EARTH PLATE: COPPER ALLOY
 PLATING: TIN

 HEX NUT: BRASS
 - MARKING: 3M LOGO AND PART NUMBER.
 - ELECTRICAL:
 CURRENT RATING: 0.5 A
 INSULATION RESISTANCE: 500 MΩ MIN AT 250 V_{DC}
 WITHSTANDING VOLTAGE: 350 V_{AC} FOR 1 MINUTE
 - ENVIRONMENTAL:
 TEMPERATURE RATING:
 -40°C TO +70°C
 PROCESS RATING:
 REFLOW: PREHEAT 150° TO 180°C,
 90 TO 120 SECONDS
 SOLDERING: OVER 220°C,
 30 TO 60 SECONDS, PEAK TEMPERATURE
 IS 250°C MAX.
 SOLDER IRON: 380°C MAX, 3 SECONDS MAX.
 - IN THE EVENT OF CONFLICT BETWEEN THIS DATA
 AND THAT CONTAINED IN THE PRODUCT
 SPECIFICATION, THE PRODUCT SPECIFICATION
 TAKES PRECEDENT.
 - FOR VARIOUS PANEL THICKNESS JACKSOCKETS
 REFER TO TS-0142.
 - SEE REGULATORY INFORMATION APPENDIX (RIA)
 IN THE "RoHS COMPLIANCE" SECTION OF
WWW.3MCONNECTOR.COM FOR COMPLIANCE INFORMATION.

POSITION	DIM. "A"	DIM. "B"	DIM. "C"	DIM. "D"	DIM. "E"	DIM. "F"	DIM. "G"
14	20.0 [.79]	14.4 [.57]	8.8 [.35]	4.8 [.19]	9.2 [.36]	8.255 [.3250]	19.0 [.75]
26	24.8 [.98]	19.2 [.76]	13.6 [.54]	9.6 [.38]	14.0 [.55]	15.875 [.6250]	23.8 [.94]

CONNECTOR DIMENSION TABLE
 TABLE 1

DIMENSIONS ARE IN MM.
 SECONDARY ARE IN [INCHES]
 AND ARE FOR REFERENCE ONLY

DESIGN REFERENCE	NEXT ASSEMBLY	REV	ECO	ISSUE DATE AND DESCRIPTION	DRFT	CHKD
		CASTIGLIONE	JAN 07, 2011	MFG		
DIVISION	DIVISION CODE	CHKD	DATE	APPV	DATE	
Interconnect Solutions	ISD			D. CRONCH	MAR 30, 2011	
DO NOT SCALE DRAWING	SCALE 6-1	TOLERANCES EXCEPT AS NOTED		This document and the information it contains are 3M property and may not be reproduced or further distributed without 3M permission, or used or disclosed other than for 3M authorized purposes. All rights reserved.		
THIRD ANGLE PROJECTION	INTERPRET PER ASME Y14.5 - 1994	INCHES		MILLIMETERS		
		.00 ±.006		0 ±		
		.000 ±.006		.00 ±.15		
		.0000 ±.005		.000 ±.13		
		MAX SURFACE ROUGHNESS		CAGE NUMBER		
		1.6 SURFACES		D 78-5100-2125-2		
		✓ MARKED ONLY		MODEL 12200		
		ANGLES		REV. F		

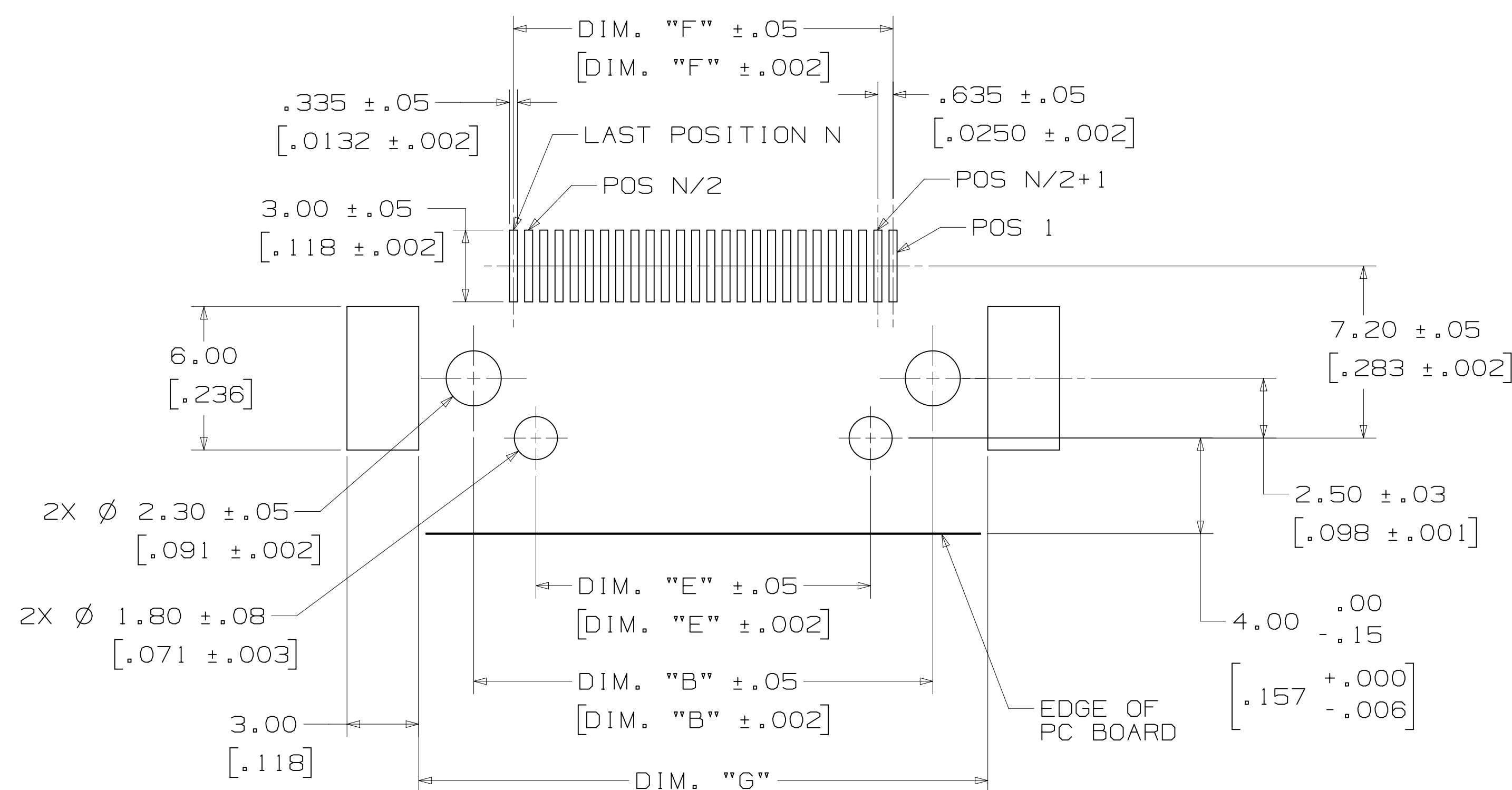


DRAWING NUMBER 78-5100-2125-2

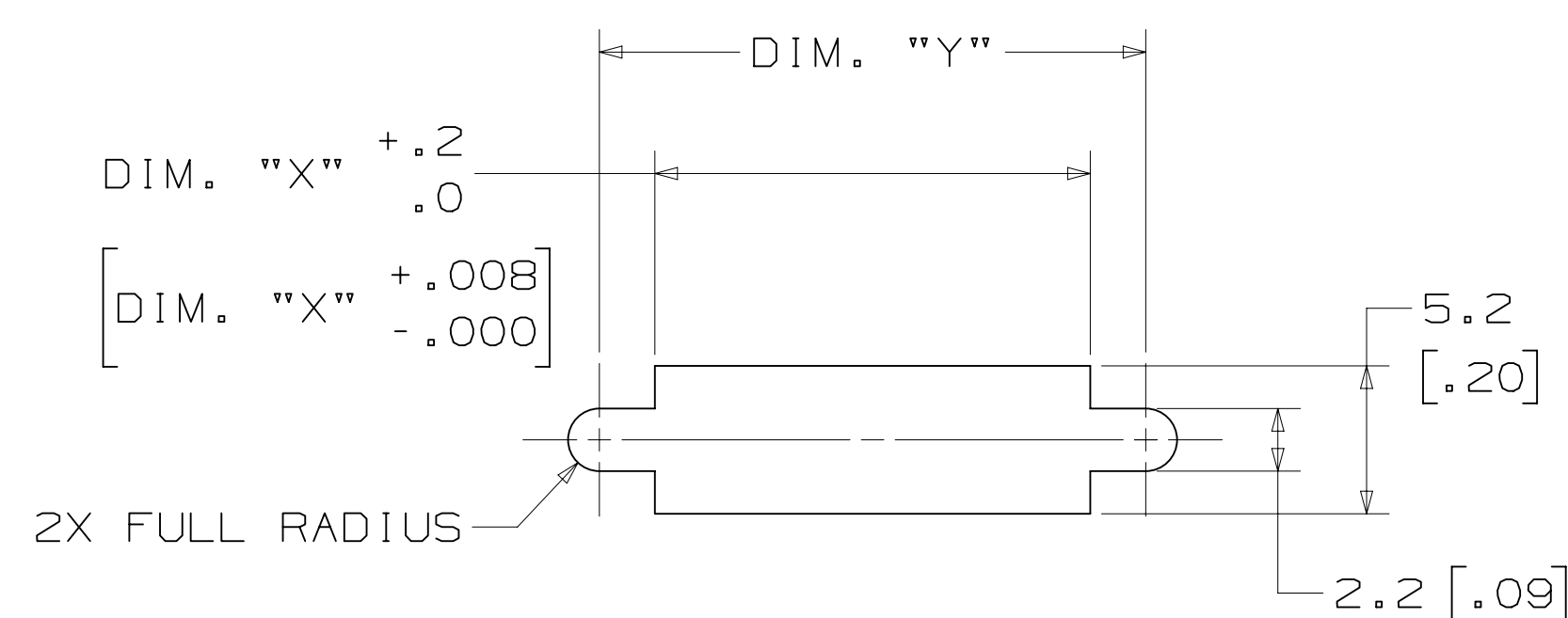
REVISION

SHT 1 OF 2

3M™ Shrunk Delta Ribbon (SDR) Connectors, 122 Series
 .80 mm Surface Mount, Right Angle Receptacle, Shielded



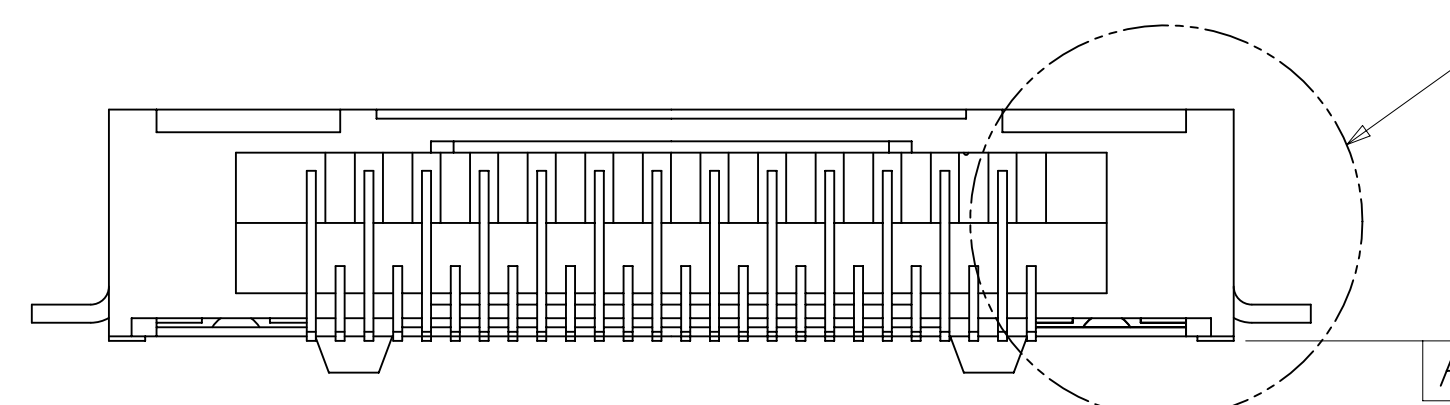
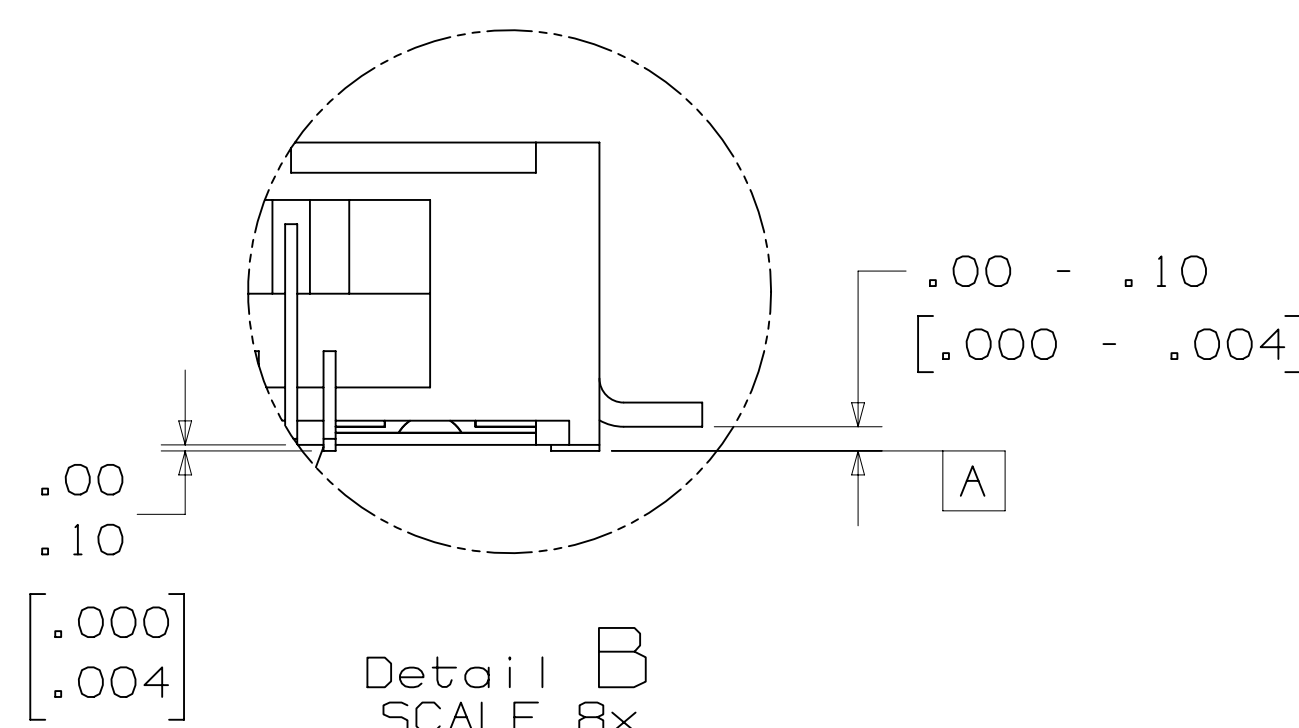
RECOMMENDED PC BOARD LAYOUT
 (MOUNT SIDE VIEW)
 N = TOTAL NUMBER OF POSITIONS
 SCALE 6X



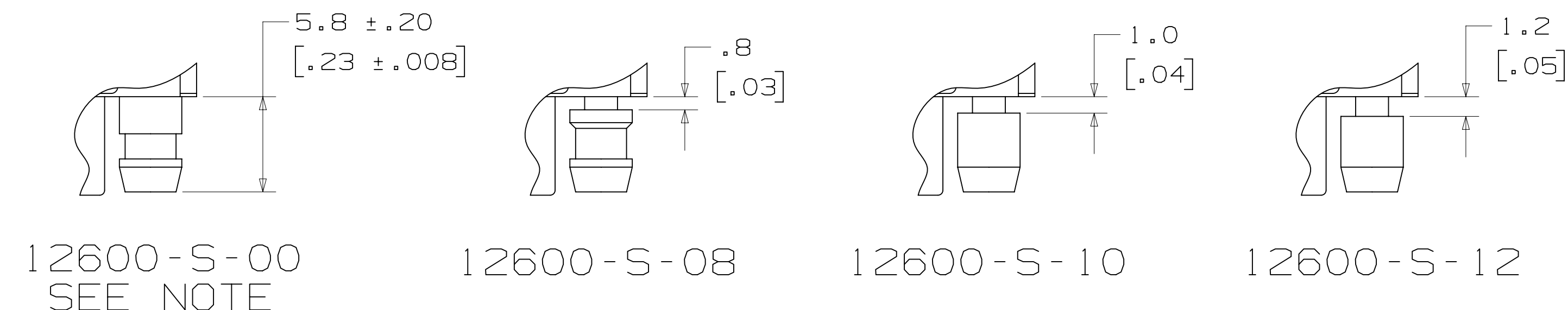
RECOMMENDED PANEL CUT-OUT
 (MAXIMUM PANEL THICKNESS 1.2MM)

POSITION	DIM. "X"	DIM. "Y"
14	10.5 [.41]	14.4 [.57]
26	15.3 [.60]	19.2 [.76]

RECOMMENDED PANEL CUT-OUT DIMENSION TABLE
 TABLE 2



THE DIMENSION OF PIN TAILS LOWER SURFACE TO DATUM "A" SURFACE: 0.00 TO 0.10 [.000 TO .004].
 NOTE: THE CONNECTOR SHOULD BE ON FLAT FIXTURE SURFACE WHEN THE DIMENSIONS ARE MEASURED.



JACKSOCKET
 M2 X 0.4

NOTE: JACKSOCKET 12600-S-00 COMES FACTORY INSTALLED IN CONNECTOR 122XX-8250-00FR. IT IS FIXED WITH THREAD LOCKING ADHESIVE AND CANNOT BE REMOVED.

PANEL THICKNESS	CONNECTOR	JACKSOCKET
NO PANEL	122XX-8250-00XX	FACTORY INSTALLED (SEE NOTE)
0.8±0.1MM	122XX-8200-00XX	12600-S-08 (ORDER SEPARATELY)
1.0±0.1MM	122XX-8200-00XX	12600-S-10 (ORDER SEPARATELY)
1.2±0.1MM	122XX-8200-00XX	12600-S-12 (ORDER SEPARATELY)

SELECTION TABLE FOR PANEL MOUNTING
 TABLE 3

ORDERING INFORMATION:
 122XX-82X0-00XX

CONTACT QUANTITY
 (SEE TABLE 1)

PLATING OPTION:

FR = 50-100μ" NICKEL UNDERPLATE
 30μ" GOLD MIN. WIPE AREA
 FLASH GOLD TERM AREA (TAIL)

PL = 50-100μ" NICKEL UNDERPLATE
 8μ" GOLD MIN. WIPE AREA
 FLASH GOLD TERM AREA (TAIL)

SCREW LOCK OPTION: (SEE TABLE 3)

0=NONE
 (RIA E1 & C1 APPLY)
 5=WITH 12600-S-00 NON-REMOVABLE SCREW LOCK
 (RIA E5 & C3 APPLY)

DESIGN REFERENCE	NEXT ASSEMBLY	REV	ECO	ISSUE DATE AND DESCRIPTION	DRFT	CHKD
		F	40541	MAY 01, 2012	ARM	DFC
		E	30752	JAN 05, 2011	JNC	SC
				REVISED AND REDRAWN		
				DATE: 07, 2011		
				DATE: 30, 2011		
				DATE: 30, 2011		

DO NOT SCALE DRAWING	SCALE	TOLERANCES EXCEPT AS NOTED
DO NOT SCALE DRAWING	4 1	

INCHES	MILLIMETERS
.00 ± .006	0 ± .15
.000 ± .006	.00 ± .15
.0000 ± .005	.000 ± .13

3M	TITLE
3M Center St. Paul, MN 55144	3M SHRUNK DELTA RIBBON (SDR) CONN. 122XX-82X0-00XX

CAGE NUMBER	SIZE	DRAWING NO.	REV.
D	78-5100-2125-2	F	

MODEL	DATE	BY	CHKD	DATE	BY	CHKD
12200	07/2011	D. CRONCH		07/2011		

178-5100-2125-2

DRAWING NUMBER

REVISION

A

F

SHT 2 OF 2



Компания «ЭлектроПласт» предлагает заключение долгосрочных отношений при поставках импортных электронных компонентов на взаимовыгодных условиях!

Наши преимущества:

- Оперативные поставки широкого спектра электронных компонентов отечественного и импортного производства напрямую от производителей и с крупнейших мировых складов;
- Поставка более 17-ти миллионов наименований электронных компонентов;
- Поставка сложных, дефицитных, либо снятых с производства позиций;
- Оперативные сроки поставки под заказ (от 5 рабочих дней);
- Экспресс доставка в любую точку России;
- Техническая поддержка проекта, помощь в подборе аналогов, поставка прототипов;
- Система менеджмента качества сертифицирована по Международному стандарту ISO 9001;
- Лицензия ФСБ на осуществление работ с использованием сведений, составляющих государственную тайну;
- Поставка специализированных компонентов (Xilinx, Altera, Analog Devices, Intersil, Interpoint, Microsemi, Aeroflex, Peregrine, Syfer, Eurofarad, Texas Instrument, Miteq, Cobham, E2V, MA-COM, Hittite, Mini-Circuits, General Dynamics и др.);

Помимо этого, одним из направлений компании «ЭлектроПласт» является направление «Источники питания». Мы предлагаем Вам помощь Конструкторского отдела:

- Подбор оптимального решения, техническое обоснование при выборе компонента;
- Подбор аналогов;
- Консультации по применению компонента;
- Поставка образцов и прототипов;
- Техническая поддержка проекта;
- Защита от снятия компонента с производства.



Как с нами связаться

Телефон: 8 (812) 309 58 32 (многоканальный)

Факс: 8 (812) 320-02-42

Электронная почта: org@eplast1.ru

Адрес: 198099, г. Санкт-Петербург, ул. Калинина, дом 2, корпус 4, литера А.