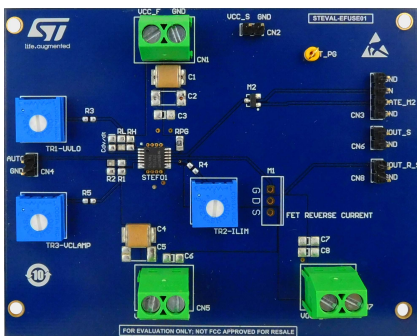


Evaluation board based on the STEF01 fully programmable universal electronic fuse



Features

- Input voltage from 8 to 48 V
- Peak output current up to 6 A
- Enable/Disable/Fault flag pin
- Adjustable undervoltage lockout
- Adjustable output voltage clamp
- Programmable V_{OUT} slew rate control
- Latch or auto-retry jumper-programmable thermal protection
- Power good monitoring flag
- Drives an optional external reverse current protection MOSFET
- CE certified
- RoHS and China RoHS compliant
- WEEE compliant (2012/19/UE RAEE II)

Applications

- Hot-swap boards
- Electronic circuit breakers
- Distributed power systems
- Industrial automation
- White goods/appliances
- Telecom power modules

Product summary	
Evaluation board based on STEF01 fully programmable universal electronic fuse	STEVAL-EFUSE01
8 V to 48 V fully programmable universal electronic fuse	STEF01

Description

The electronic fuses (E-fuses) are integrated circuit protections that can replace conventional fuses or other discrete protection devices.

The [STEVAL-EFUSE01](#) allows full evaluation of the [STEF01](#) E-fuse and is designed to help you test and develop a power path protection to the system.

The [STEF01](#) E-fuse integrates a control circuit and a low on-resistance MOSFET switch and provides a full set of protections, including overcurrent, overvoltage and inrush current. You can adjust UVLO threshold, clamping voltage and overload current limits through mechanical trimmers.

An external MOSFET, driven by the [STEF01](#) gate driver pin, can be mounted to implement a reverse-current blocking circuit. The inrush current can be controlled by the output voltage ramp rate, with the dedicated soft start circuit embedded in the [STEF01](#) device. The [STEVAL-EFUSE01](#) evaluation board lets you easily adjust the output voltage ramp rate at the desired startup time, by changing the $C_{dv/dt}$ capacitor.

As most applications require a flag to signal that the output voltage is in the correct range, the [STEVAL-EFUSE01](#) features a PG test point for information about the voltage drop on the pass element.

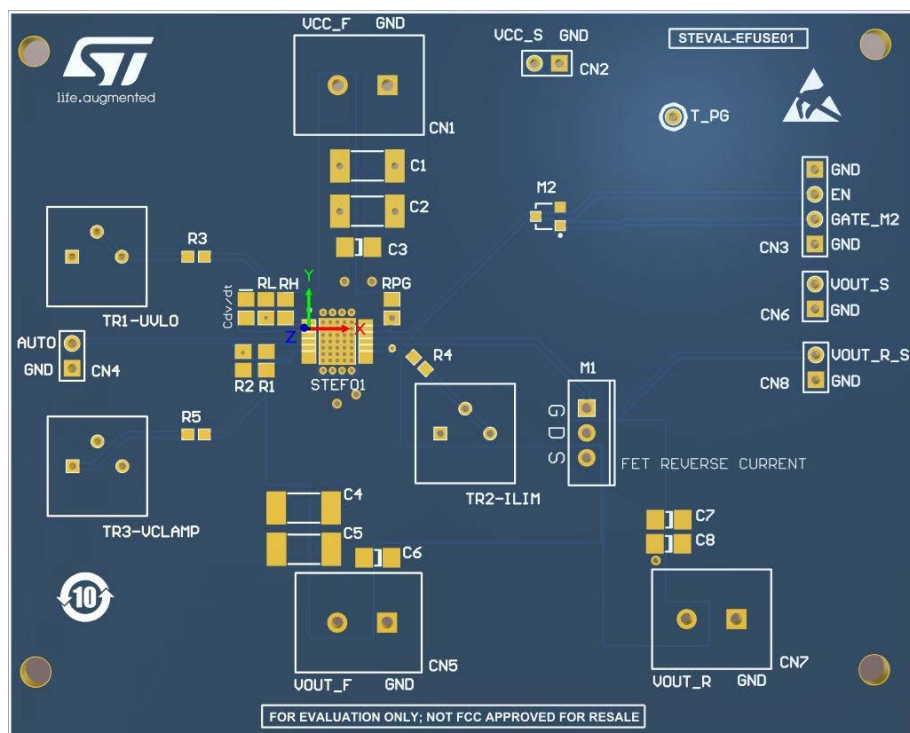
The [STEVAL-EFUSE01](#) also features thermal latch and auto-retry thermal protection modes, selectable through a dedicated jumper configuration.

1 STEVAL-EFUSE01 components

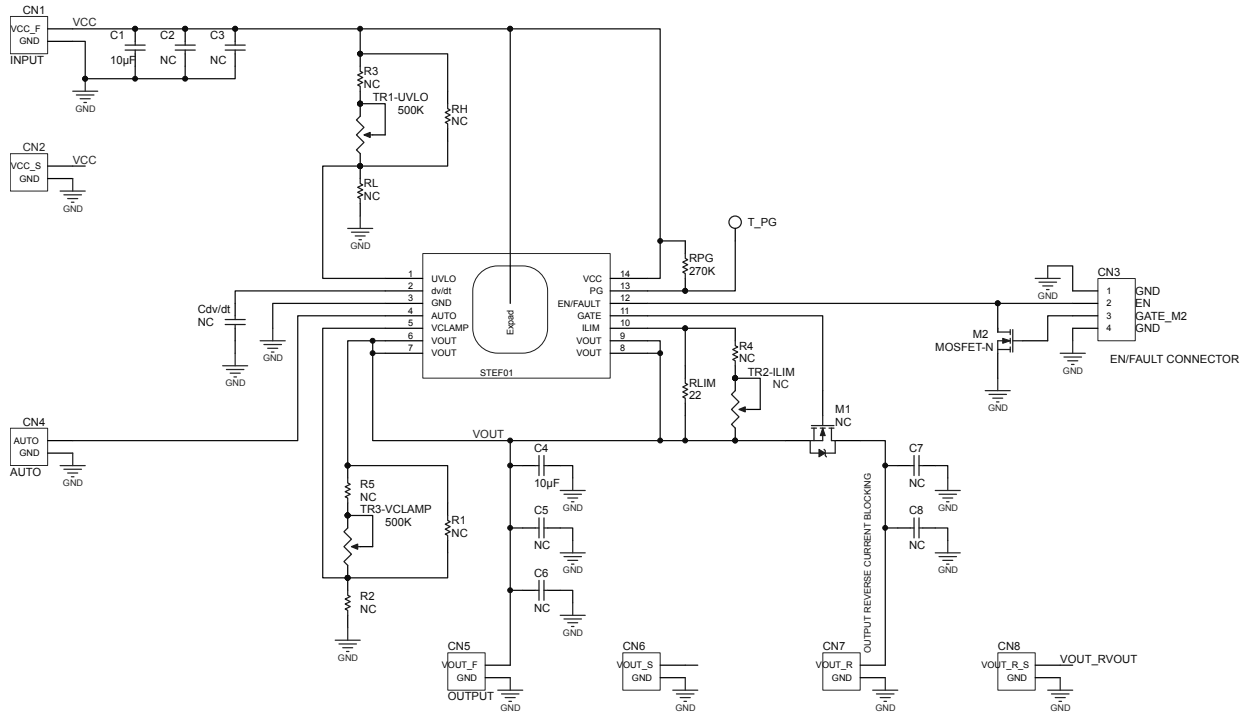
The **STEVAL-EFUSE01** evaluation board can be set up through the mechanical trimmers and others passive components to match the application protection requirements:

- TR1 mechanical trimmer for the undervoltage lockout threshold setup (R3 and RL resistors must be mounted)
- TR2 mechanical trimmer for the overload current limit trip point setup (R4 must be mounted and R_{LIM} must be removed)
- TR3 mechanical trimmer for clamping voltage threshold setup (R5 and R2 resistors must be mounted)
- $C_{dv/dt}$ capacitor for soft start ramp setup
- M1 MOSFET to implement reverse current feature
- M2 MOSFET to enable/disable the device
- T_PG POWER GOOD test point
- CN4 thermal latch or auto-retry thermal protection modes jumper configuration

Figure 1. STEVAL-EFUSE top side components



2 Schematic diagram

Figure 2. STEVAL-EFUSE01 circuit schematic


Revision history

Table 1. Document revision history

Date	Version	Changes
10-May-2019	1	Initial release.

IMPORTANT NOTICE – PLEASE READ CAREFULLY

STMicroelectronics NV and its subsidiaries (“ST”) reserve the right to make changes, corrections, enhancements, modifications, and improvements to ST products and/or to this document at any time without notice. Purchasers should obtain the latest relevant information on ST products before placing orders. ST products are sold pursuant to ST’s terms and conditions of sale in place at the time of order acknowledgement.

Purchasers are solely responsible for the choice, selection, and use of ST products and ST assumes no liability for application assistance or the design of Purchasers’ products.

No license, express or implied, to any intellectual property right is granted by ST herein.

Resale of ST products with provisions different from the information set forth herein shall void any warranty granted by ST for such product.

ST and the ST logo are trademarks of ST. For additional information about ST trademarks, please refer to www.st.com/trademarks. All other product or service names are the property of their respective owners.

Information in this document supersedes and replaces information previously supplied in any prior versions of this document.

© 2019 STMicroelectronics – All rights reserved



Компания «ЭлектроПласт» предлагает заключение долгосрочных отношений при поставках импортных электронных компонентов на взаимовыгодных условиях!

Наши преимущества:

- Оперативные поставки широкого спектра электронных компонентов отечественного и импортного производства напрямую от производителей и с крупнейших мировых складов;
- Поставка более 17-ти миллионов наименований электронных компонентов;
- Поставка сложных, дефицитных, либо снятых с производства позиций;
- Оперативные сроки поставки под заказ (от 5 рабочих дней);
- Экспресс доставка в любую точку России;
- Техническая поддержка проекта, помощь в подборе аналогов, поставка прототипов;
- Система менеджмента качества сертифицирована по Международному стандарту ISO 9001;
- Лицензия ФСБ на осуществление работ с использованием сведений, составляющих государственную тайну;
- Поставка специализированных компонентов (Xilinx, Altera, Analog Devices, Intersil, Interpoint, Microsemi, Aeroflex, Peregrine, Syfer, Eurofarad, Texas Instrument, Miteq, Cobham, E2V, MA-COM, Hittite, Mini-Circuits, General Dynamics и др.);

Помимо этого, одним из направлений компании «ЭлектроПласт» является направление «Источники питания». Мы предлагаем Вам помощь Конструкторского отдела:

- Подбор оптимального решения, техническое обоснование при выборе компонента;
- Подбор аналогов;
- Консультации по применению компонента;
- Поставка образцов и прототипов;
- Техническая поддержка проекта;
- Защита от снятия компонента с производства.



Как с нами связаться

Телефон: 8 (812) 309 58 32 (многоканальный)

Факс: 8 (812) 320-02-42

Электронная почта: org@eplast1.ru

Адрес: 198099, г. Санкт-Петербург, ул. Калинина, дом 2, корпус 4, литера А.