

# D/A Converters

## Standard 8bit 10ch/12ch

BH2223FV BH2221FV

### General Description

BH2223FV and BH2221FV are high performance 8bit R-2R-type D/A converters with 10 and 12 channel outputs, respectively.

A built-in RESET function ensures that the output voltage at all channels is LOW during power up and a broad power supply voltage range (2.7V - 5.5V) provides design flexibility.

### Features

- Built-in RESET function
- High speed output response characteristics
- 3-line serial interface

### Applications

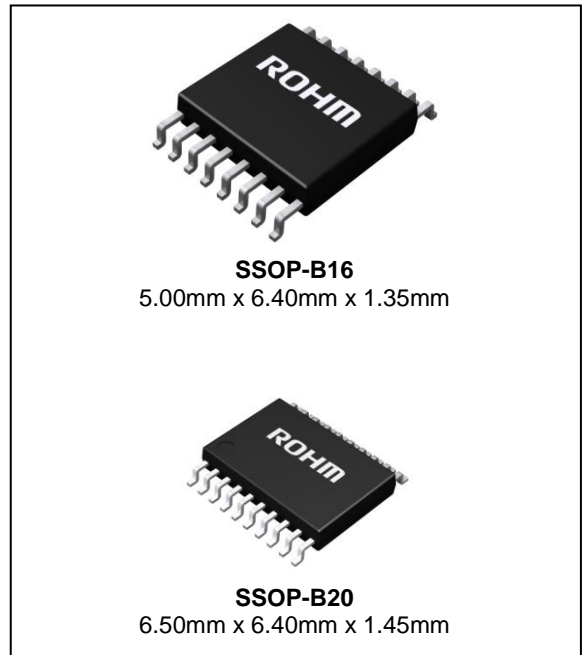
DVCs, DSCs, DVDs, CD-Rs, CD-RWs

### Key Specifications

- VCC Power Source Voltage Range: 2.7V to 5.5V
- VDD Power Source Voltage Range: 2.7V to V<sub>CC</sub>
- Current Consumption:
  - BH2223FV: 1.1mA(Typ)
  - BH2221FV: 1.6mA(Typ)
- Differential Non Linearity Error: ±1.0LSB
- Integral Non Linearity Error: ±1.5LSB
- Output Current Performance: ±1.0mA
- Settling Time: 100µs(Min)
- Data Transfer Frequency: 10MHz(Max)
- Action Temperature Range: -20°C to +85°C

### Packages

W(Typ) x D(Typ) x H(Max)



### Lineup

Number of channels	Input method	Data latch method	Package		Orderable Part Number
			Package	Reel of 2500	
10ch	CMOS	LD method	SSOP-B16	Reel of 2500	BH2223FV-E2
12ch			SSOP-B20	Reel of 2500	BH2221FV-E2

Pin Descriptions / Block Diagrams

(BH2223FV)

Terminal	Terminal name	Function
1	AO2	Analog output terminal
2	AO3	
3	AO4	
4	AO5	
5	AO6	
6	AO7	
7	AO8	
8	AO9	
9	VCC	Power source terminal
10	AO10	Analog output terminal
11	NC	Not connected yet
12	LD	Serial data load input terminal
13	CLK	Serial clock input terminal
14	DI	Serial data input terminal
15	AO1	Analog output terminal
16	GND	Ground terminal

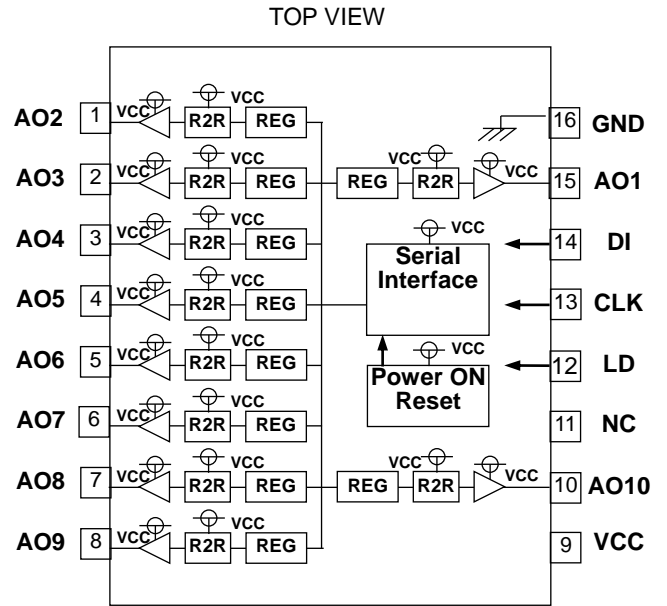


Figure 1. BH2223FV

(BH2221FV)

Terminal	Terminal name	Function
1	NC	Not connected yet
2	AO3	Analog output terminal
3	AO4	
4	AO5	
5	AO6	
6	AO7	
7	AO8	
8	AO9	
9	AO10	
10	VDD	D/A converter standard power source terminal
11	VCC	Power source terminal
12	AO11	Analog output terminal
13	AO12	
14	NC	Not connected yet
15	LD	Serial data
16	CLK	Serial clock input terminal
17	DI	Serial data input terminal
18	AO1	Analog output terminal
19	AO2	
20	GND	Ground terminal

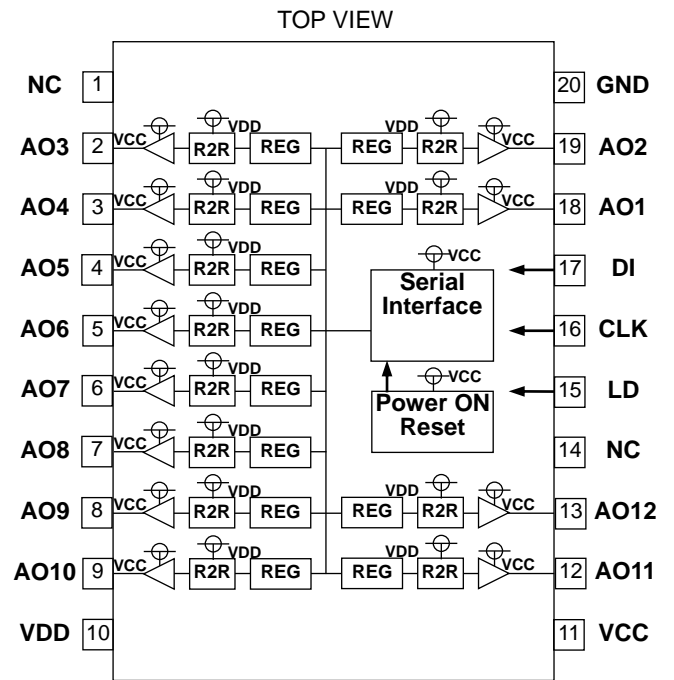


Figure 2. BH2221FV

## Absolute Maximum Ratings (Ta=25°C)

Parameter	Symbol	Rating	Unit	Remark
Power Source Voltage	V <sub>CC</sub>	-0.3 to +7.0	V	
Terminal Voltage	V <sub>IN</sub>	-0.3 to V <sub>CC</sub>	V	
Storage Temperature Range	T <sub>stg</sub>	-55 to +125	°C	
Power Dissipation	P <sub>d</sub>	0.65 (Note 1)	W	BH2221FV
		0.45 (Note 2)	W	BH2223FV

(Note 1) Derated at 6.5mW/°C at Ta&gt;25°C

(Note 2) Derated at 4.5mW/°C at Ta&gt;25°C

Caution: Operating the IC over the absolute maximum ratings may damage the IC. The damage can either be a short circuit between pins or an open circuit between pins and the internal circuitry. Therefore, it is important to consider circuit protection measures, such as adding a fuse, in case the IC is operated over the absolute maximum ratings.

## Recommended Operating Conditions (Ta=25°C)

Parameter	Symbol	Rating			Unit	Remark
		Min	Typ	Max		
VCC Power Source Voltage	V <sub>CC</sub>	2.7	-	5.5	V	(Note 3)
VDD Power Source Voltage	V <sub>DD</sub>	2.7	-	V <sub>CC</sub>	V	(Note 3)
Terminal Input Voltage Range	V <sub>IN</sub>	0	-	V <sub>CC</sub>	V	-
Analog Output Current	I <sub>OUT</sub>	-1.0	0	+1.0	mA	-
Action Temperature Range	T <sub>opr</sub>	-20	-	+85	°C	-
Serial Clock Frequency	f <sub>CLK</sub>	-	1.0	10.0	MHz	-
Limit Load Capacitance	C <sub>L</sub>	-	-	0.1	μF	-

(Note 3) Set the power source voltage so that V<sub>CC</sub> ≥ V<sub>DD</sub>.

## Electrical Characteristics

(Unless otherwise specified, V<sub>CC</sub>=3.0V, V<sub>DD</sub>=3.0V, R<sub>L</sub>=OPEN, C<sub>L</sub>=0pF, Ta=25°C)

Parameter	Symbol	Limit			Unit	Conditions
		Min	Typ	Max		
<Current Consumption> CLK=1MHz, 80H Setting						
VCC System	I <sub>CC</sub>	-	0.6	1.5	mA	BH2221FV
VDD System	I <sub>DD</sub>	-	1.0	2.0	mA	
VCC System	I <sub>CC</sub>	-	1.1	2.5	mA	BH2223FV
<Logic Interface>						
L input Voltage	V <sub>IL</sub>	GND	-	0.2V <sub>CC</sub>	V	
H input Voltage	V <sub>IH</sub>	0.8V <sub>CC</sub>	-	V <sub>CC</sub>	V	
Input Current	I <sub>IN</sub>	-10	-	+10	μA	
<Buffer Amplifier>						
Output Zero Scale Voltage	V <sub>ZS1</sub>	GND	-	0.1	V	00H setting, at no load
	V <sub>ZS2</sub>	GND	-	0.3	V	00H setting, I <sub>OH</sub> =1.0mA
Output Full Scale Voltage	V <sub>FS1</sub>	V <sub>CC</sub> -0.1	-	V <sub>CC</sub>	V	FFH setting, at no load
	V <sub>FS2</sub>	V <sub>CC</sub> -0.3	-	V <sub>CC</sub>	V	FFH Setting, I <sub>OL</sub> =1.0mA
<D/A Converter Precision>						
Differential Non Linearity Error	DNL	-1.0	-	+1.0	LSB	Input code 02H to FDH
Integral Non Linearity Error	INL	-1.5	-	+1.5	LSB	Input code 02H to FDH
VCC Power Source Voltage Rise Time	t <sub>rVCC</sub>	100	-	-	μs	V <sub>CC</sub> =0V to 2.7V
Power ON Reset Release Voltage	V <sub>POR</sub>	-	1.9	-	V	

Timing Chart

( $V_{CC} = 3.0V$ ,  $V_{DD} = 3.0V$ ,  $R_L = OPEN$ ,  $C_L = 0pF$ ,  $T_a = 25^\circ C$ , unless otherwise specified.)

Parameter	Symbol	Limit			Unit	Conditions
		Min	Typ	Max		
CLK L Level Time	$t_{CLKL}$	50	-	-	ns	
CLK H Level Time	$t_{CLKH}$	50	-	-	ns	
DI Setup Time	$t_{sDI}$	20	-	-	ns	
DI Hold Time	$t_{hDI}$	40	-	-	ns	
LD Setup Time	$t_{sLD}$	50	-	-	ns	
LD Hold Time	$t_{hLD}$	50	-	-	ns	
LD H Level Time	$t_{LDH}$	50	-	-	ns	
Output Settling Time	$t_{OUT}$	-	-	100	$\mu s$	$C_L=50pF$ , $R_L=10k\Omega$

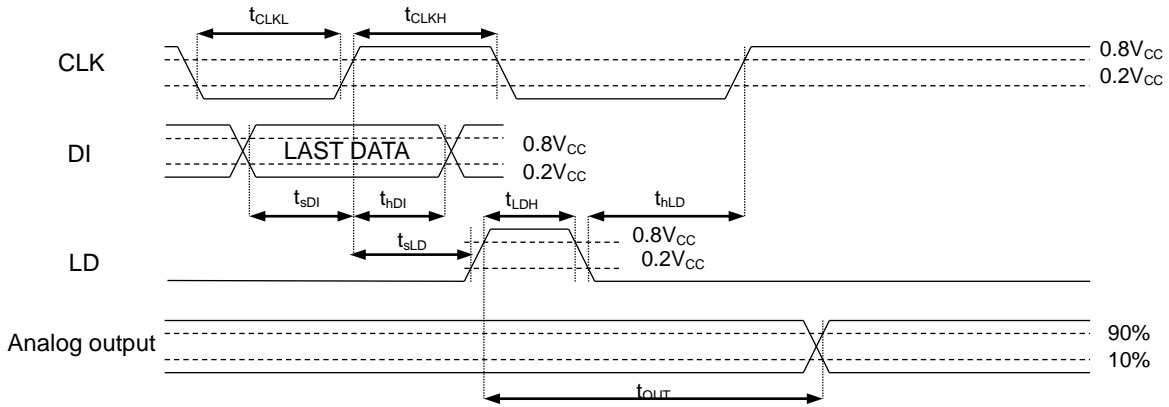


Figure 3

Typical Performance Curves

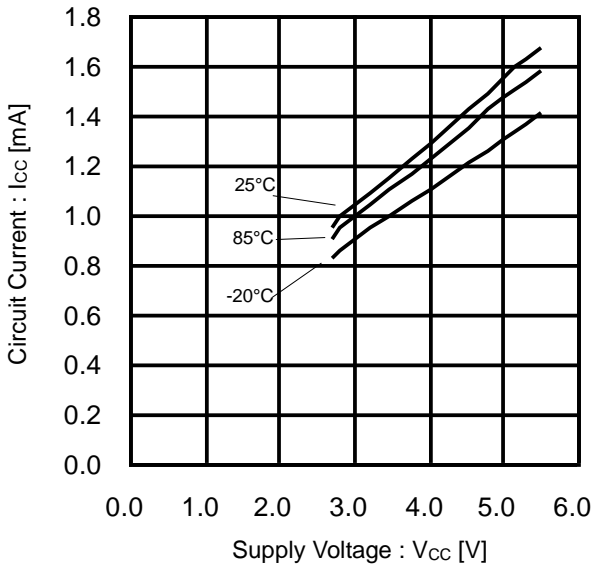


Figure 4. Circuit Current vs Supply Voltage (VCC Active Current Consumption)

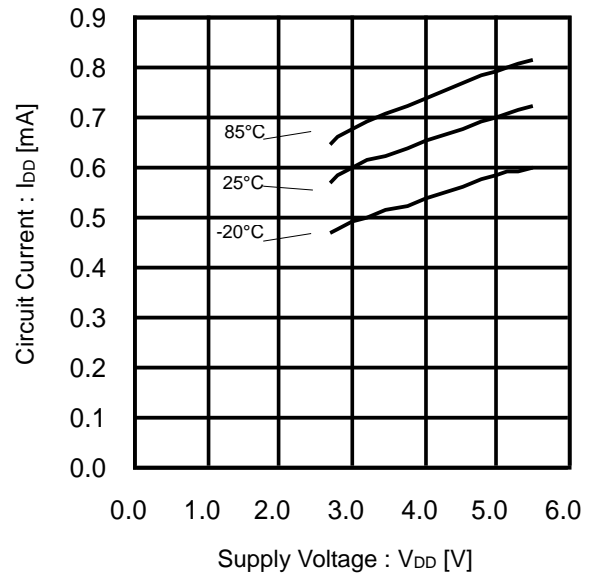


Figure 5. Circuit Current vs Supply Voltage (VDD Active Current Consumption)

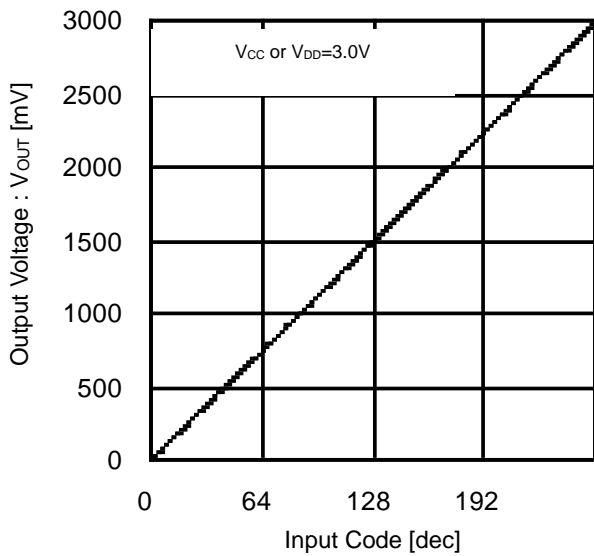


Figure 6. Output Voltage vs Input Code

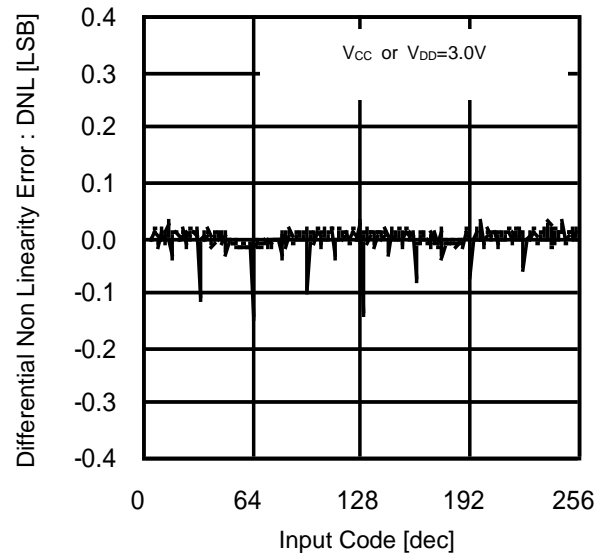


Figure 7. Differential Non Linearity Error vs Input Code

Typical Performance Curves – continued

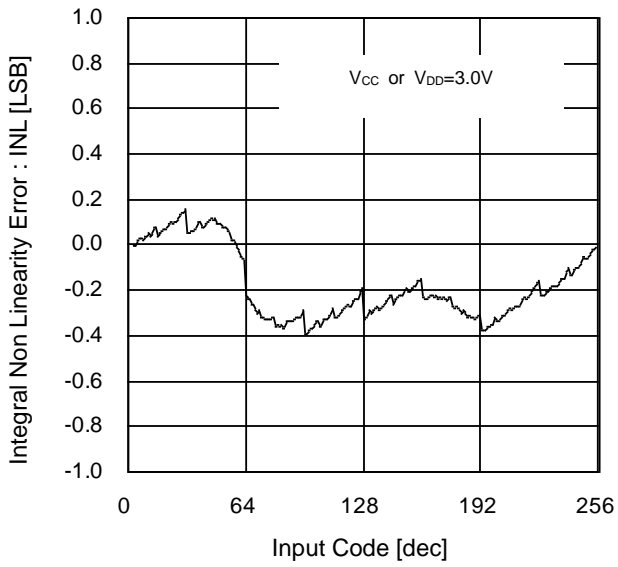


Figure 8. Integral Non Linearity Error vs Input Code

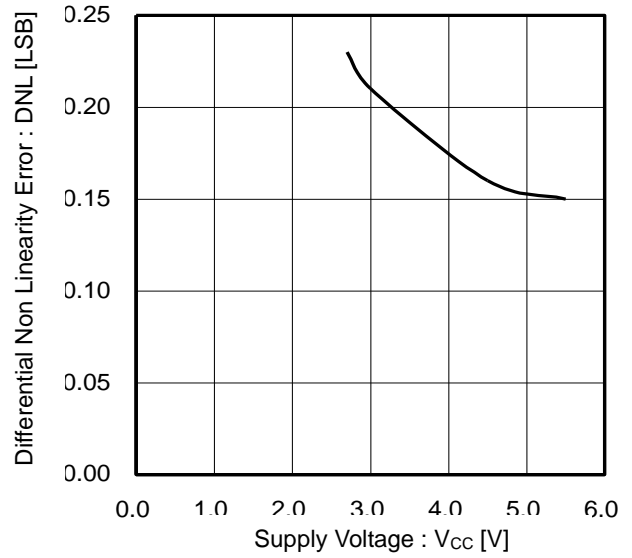


Figure 9. Differential Non Linearity Error vs Supply Voltage

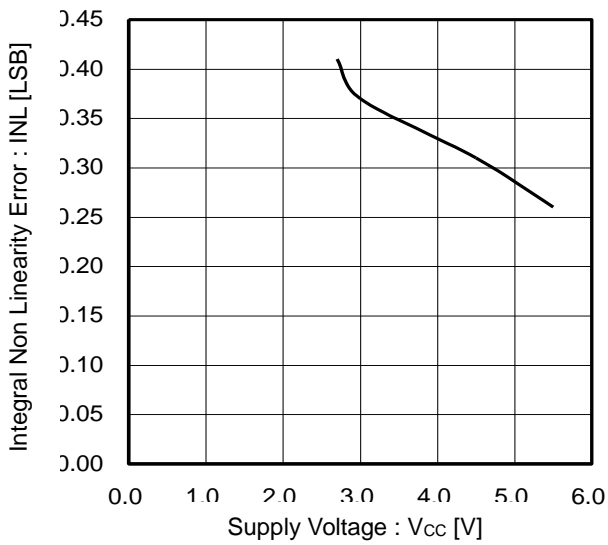


Figure 10. Integral Non Linearity Error vs Supply Voltage

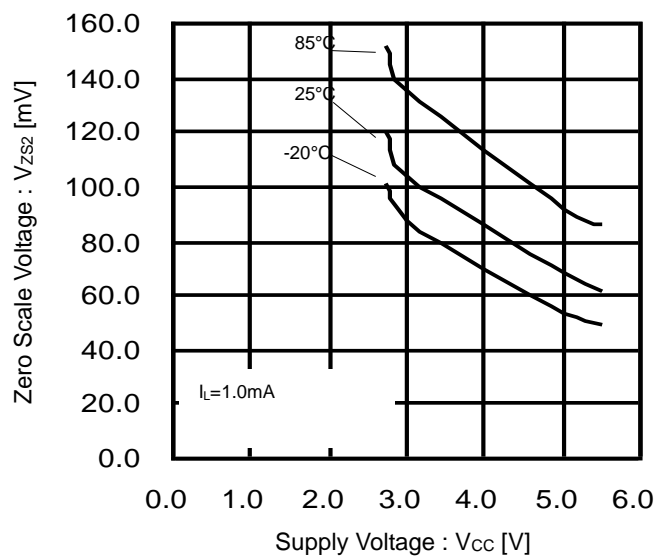


Figure 11. Output Zero Scale Voltage vs Supply Voltage

Typical Performance Curves – continued

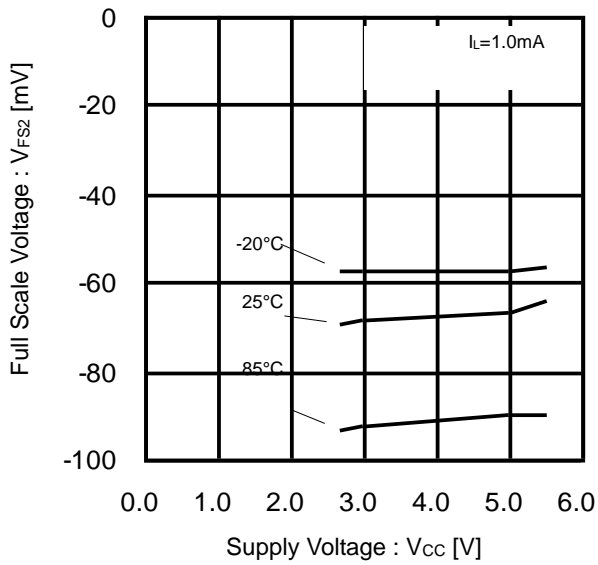


Figure 12. Output Full Scale Voltage vs Supply Voltage

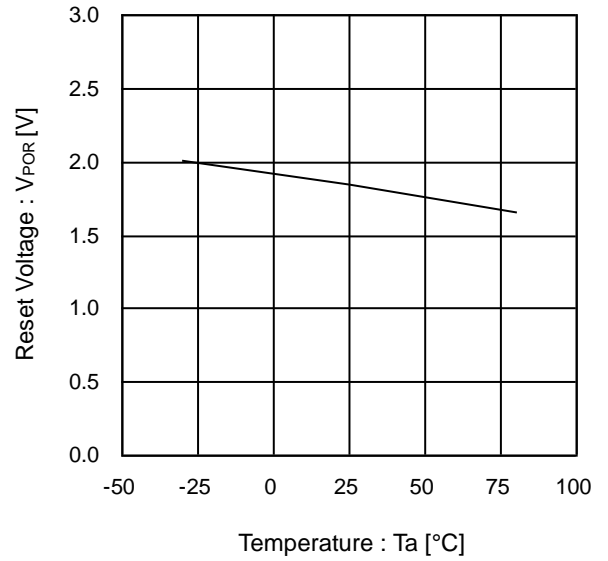


Figure 13. Reset Release Voltage vs Temperature

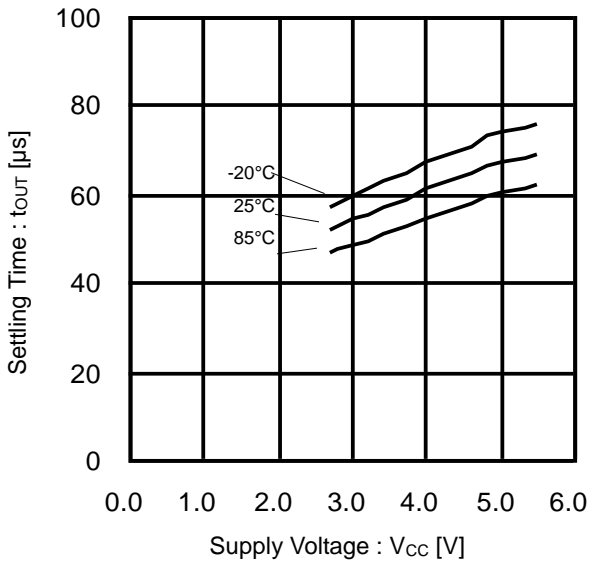


Figure 14. Settling Time vs Supply Voltage

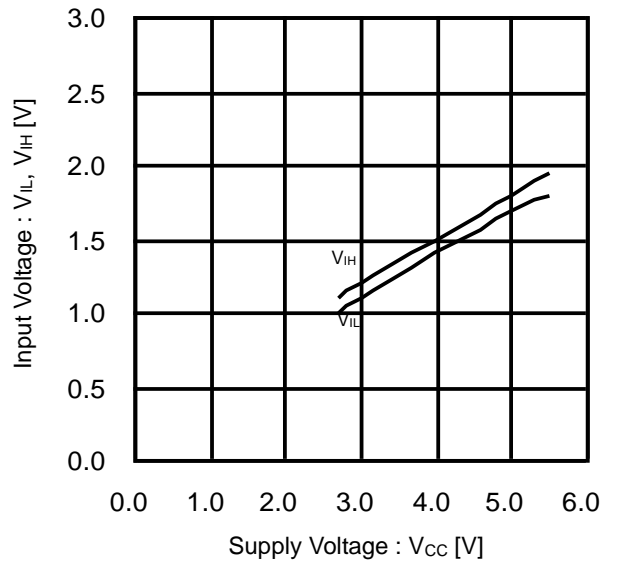


Figure 15. Input Voltage vs Supply Voltage

Application Information

Operation Description

The Serial Control Interface is 3-line serial interface 1) LD, 2) CLK and 3) DI.  
 Every command is composed of 12 bits data sent through DI line (MSB first).  
 DI data is read every rising edge of the CLK. That should be while LD is LOW.  
 Last 12 bits of data are latched while LD is HIGH.

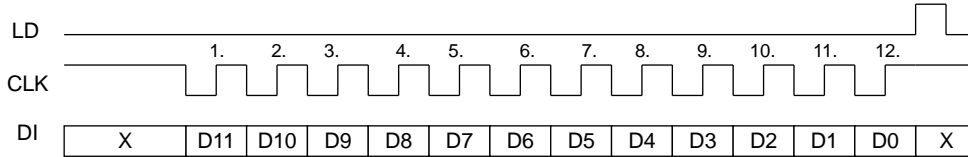


Figure 16

Data Settings

D0	D1	D3	D3	D4	D5	D6	D7	Setting
0	0	0	0	0	0	0	0	GND
1	0	0	0	0	0	0	0	(V <sub>CC</sub> or V <sub>DD</sub> -GND)/256x1
0	1	0	0	0	0	0	0	(V <sub>CC</sub> or V <sub>DD</sub> -GND)/256x2
1	1	0	0	0	0	0	0	(V <sub>CC</sub> or V <sub>DD</sub> -GND)/256x3
0	0	1	0	0	0	0	0	(V <sub>CC</sub> or V <sub>DD</sub> -GND)/256x4
0	1	1	1	1	1	1	1	(V <sub>CC</sub> or V <sub>DD</sub> -GND)/256x254
1	1	1	1	1	1	1	1	(V <sub>CC</sub> or V <sub>DD</sub> -GND)/256x255

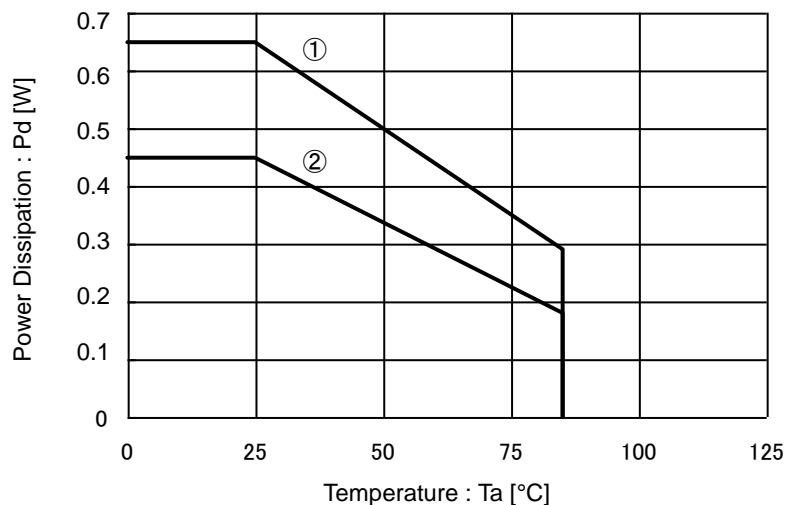
Channel Settings

D8	D9	D10	D11	BH2223FV	BH2221FV
0	0	0	0	Not used	Not used
0	0	0	1	AO1	AO1
0	0	1	0	AO2	AO2
0	0	1	1	AO3	AO3
0	1	0	0	AO4	AO4
0	1	0	1	AO5	AO5
0	1	1	0	AO6	AO6
0	1	1	1	AO7	AO7
1	0	0	0	AO8	AO8
1	0	0	1	AO9	AO9
1	0	1	0	AO10	AO10
1	0	1	1	Not used	AO11
1	1	0	0	Not used	AO12
1	1	0	1	Not used	Not used
1	1	1	0	Not used	Not used
1	1	1	1	Not used	Not used



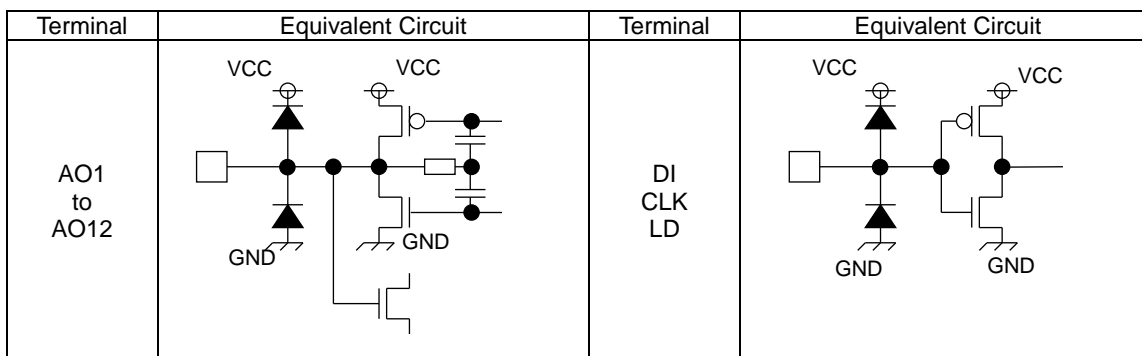
**Power Dissipation**

- ① SSOP-B20(BH2221FV)
- ② SSOP-B16(BH2223FV)



Mounted on a 70mm x 70mm x 1.6mm FR4 glass epoxy board (copper foil area 3% or below)

**I/O Equivalent Circuit**



## Operational Notes

### 1. Reverse Connection of Power Supply

Connecting the power supply in reverse polarity can damage the IC. Take precautions against reverse polarity when connecting the power supply, such as mounting an external diode between the power supply and the IC's power supply pins.

### 2. Power Supply Lines

Design the PCB layout pattern to provide low impedance supply lines. Separate the ground and supply lines of the digital and analog blocks to prevent noise in the ground and supply lines of the digital block from affecting the analog block. Furthermore, connect a capacitor to ground at all power supply pins. Consider the effect of temperature and aging on the capacitance value when using electrolytic capacitors.

### 3. Ground Voltage

Ensure that no pins are at a voltage below that of the ground pin at any time, even during transient condition.

### 4. Ground Wiring Pattern

When using both small-signal and large-current ground traces, the two ground traces should be routed separately but connected to a single ground at the reference point of the application board to avoid fluctuations in the small-signal ground caused by large currents. Also ensure that the ground traces of external components do not cause variations on the ground voltage. The ground lines must be as short and thick as possible to reduce line impedance.

### 5. Thermal Consideration

Should by any chance the power dissipation rating be exceeded the rise in temperature of the chip may result in deterioration of the properties of the chip. In case of exceeding this absolute maximum rating, increase the board size and copper area to prevent exceeding the Pd rating.

### 6. Recommended Operating Conditions

These conditions represent a range within which the expected characteristics of the IC can be approximately obtained. The electrical characteristics are guaranteed under the conditions of each parameter.

### 7. Inrush Current

When power is first supplied to the IC, it is possible that the internal logic may be unstable and inrush current may flow instantaneously due to the internal powering sequence and delays, especially if the IC has more than one power supply. Therefore, give special consideration to power coupling capacitance, power wiring, width of ground wiring, and routing of connections.

### 8. Operation Under Strong Electromagnetic Field

Operating the IC in the presence of a strong electromagnetic field may cause the IC to malfunction.

### 9. Testing on Application Boards

When testing the IC on an application board, connecting a capacitor directly to a low-impedance output pin may subject the IC to stress. Always discharge capacitors completely after each process or step. The IC's power supply should always be turned off completely before connecting or removing it from the test setup during the inspection process. To prevent damage from static discharge, ground the IC during assembly and use similar precautions during transport and storage.

### 10. Inter-pin Short and Mounting Errors

Ensure that the direction and position are correct when mounting the IC on the PCB. Incorrect mounting may result in damaging the IC. Avoid nearby pins being shorted to each other especially to ground, power supply and output pin. Inter-pin shorts could be due to many reasons such as metal particles, water droplets (in very humid environment) and unintentional solder bridge deposited in between pins during assembly to name a few.

### 11. Unused Input Pins

Input pins of an IC are often connected to the gate of a MOS transistor. The gate has extremely high impedance and extremely low capacitance. If left unconnected, the electric field from the outside can easily charge it. The small charge acquired in this way is enough to produce a significant effect on the conduction through the transistor and cause unexpected operation of the IC. So unless otherwise specified, unused input pins should be connected to the power supply or ground line.

Operational Notes – continued

12. Regarding the Input Pin of the IC

This monolithic IC contains P+ isolation and P substrate layers between adjacent elements in order to keep them isolated. P-N junctions are formed at the intersection of the P layers with the N layers of other elements, creating a parasitic diode or transistor. For example (refer to figure below):

When  $GND > Pin A$  and  $GND > Pin B$ , the P-N junction operates as a parasitic diode.  
 When  $GND > Pin B$ , the P-N junction operates as a parasitic transistor.

Parasitic diodes inevitably occur in the structure of the IC. The operation of parasitic diodes can result in mutual interference among circuits, operational faults, or physical damage. Therefore, conditions that cause these diodes to operate, such as applying a voltage lower than the GND voltage to an input pin (and thus to the P substrate) should be avoided.

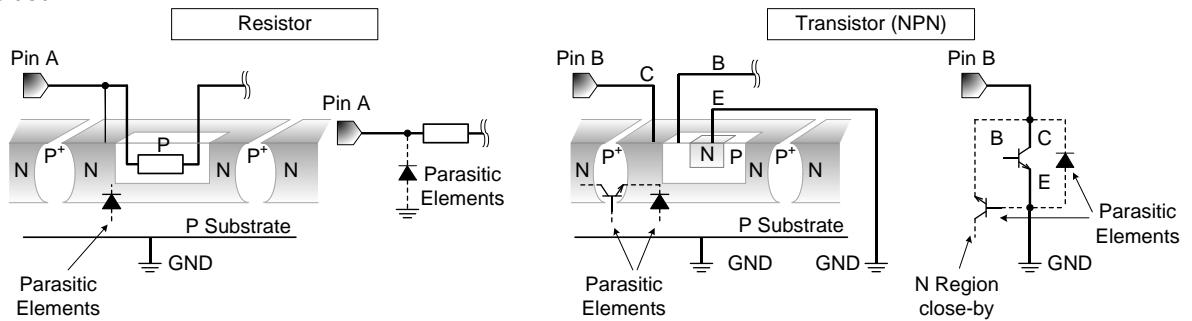
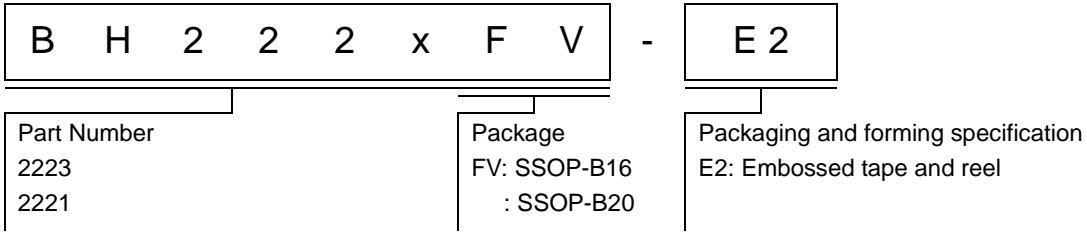


Figure 17. Example of monolithic IC structure

13. Reset Function

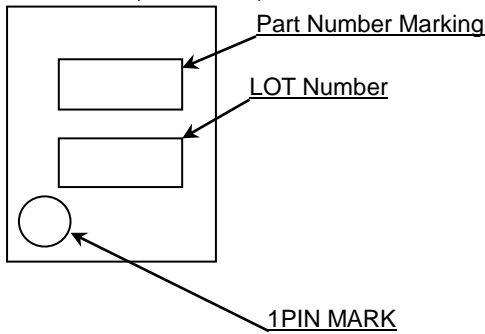
The power on reset circuit, which initializes internal settings, may malfunction during abrupt power ons. Therefore, set the time constant so as to satisfy the power source rise time.

Ordering Information

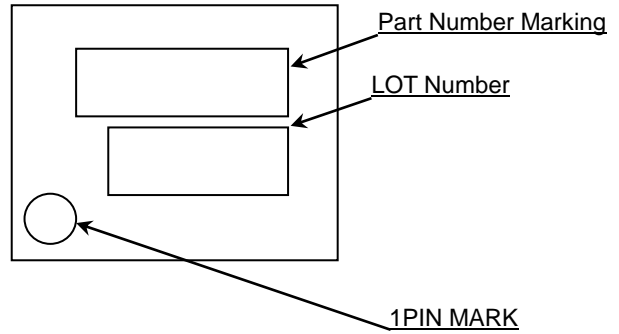


Marking Diagrams

SSOP-B16 (TOP VIEW)



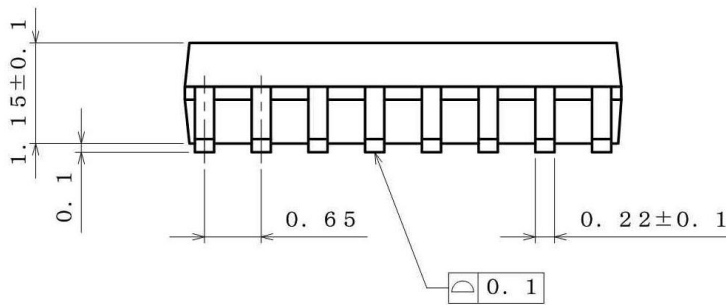
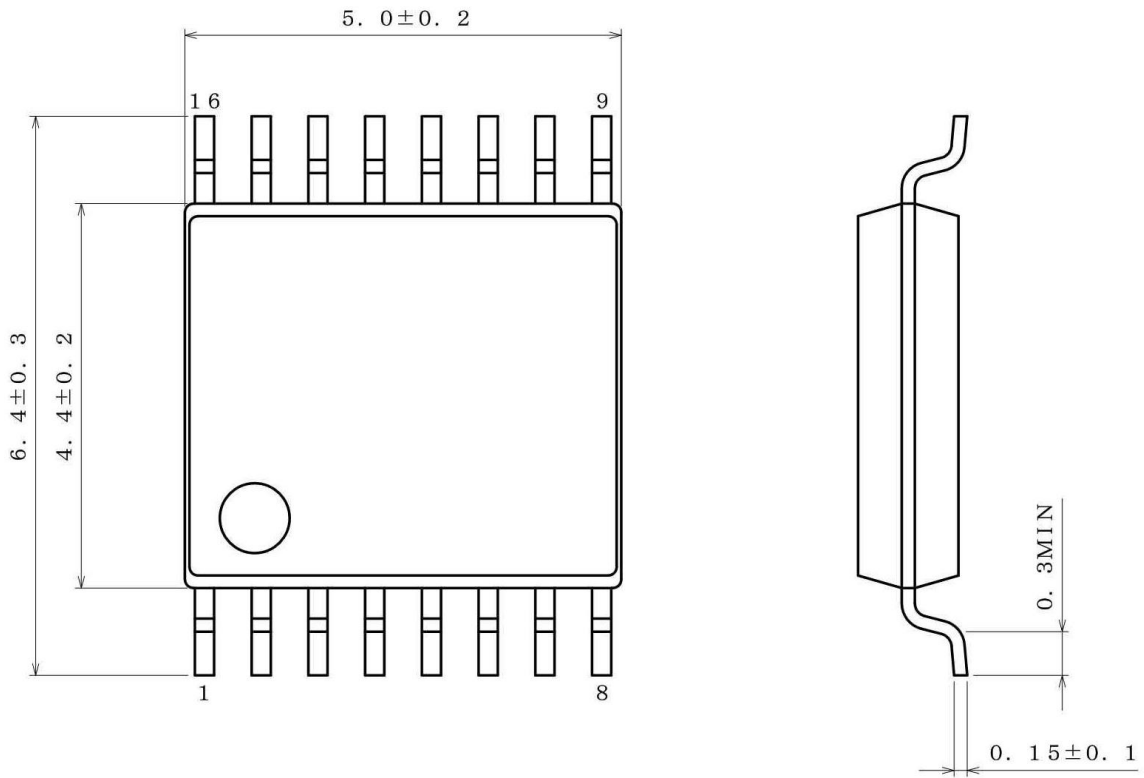
SSOP-B20 (TOP VIEW)



Part Number	Part Number Marking
BH2223FV-E2	H2223
BH2221FV-E2	H2221FV

Physical Dimension, Tape and Reel Information

Package Name	SSOP-B16
--------------	----------



(UNIT : mm)  
 PKG : SSOP-B16  
 Drawing No. B0771

**<Tape and Reel information>**

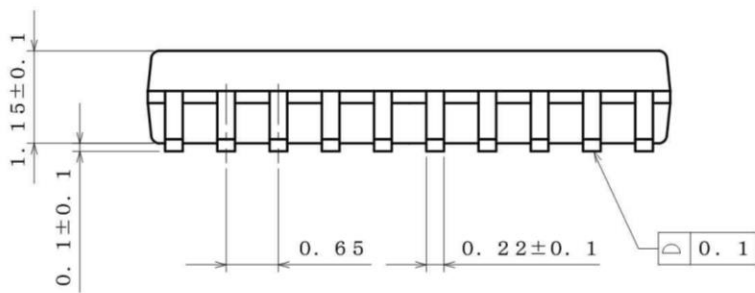
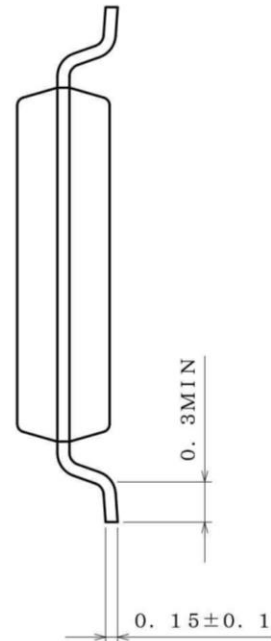
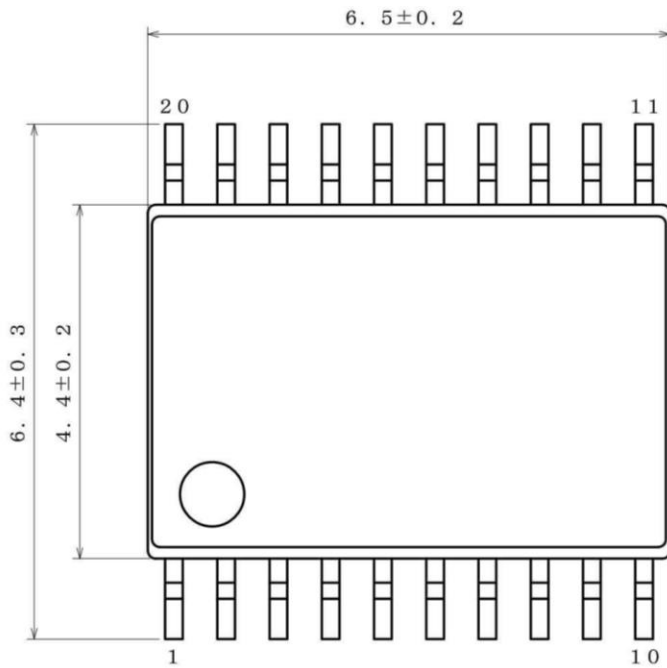
Tape	Embossed carrier tape
Quantity	2500pcs
Direction of feed	E2 ( The direction is the 1pin of product is at the upper left when you hold reel on the left hand and you pull out the tape on the right hand )

Reel →      1pin      → Direction of feed

\*Order quantity needs to be multiple of the minimum quantity.

Physical Dimension, Tape and Reel Information – continued

Package Name	SSOP-B20
--------------	----------



(UNIT : mm)  
 PKG : SSOP-B20  
 Drawing No. ; EX154-5001

**<Tape and Reel information>**

Tape	Embossed carrier tape
Quantity	2500pcs
Direction of feed	E2 ( The direction is the 1pin of product is at the upper left when you hold reel on the left hand and you pull out the tape on the right hand )

Reel      1pin      Direction of feed

\*Order quantity needs to be multiple of the minimum quantity.

## Revision History

Date	Revision	Changes
06.Nov.2015	001	New Release

# Notice

## Precaution on using ROHM Products

- Our Products are designed and manufactured for application in ordinary electronic equipments (such as AV equipment, OA equipment, telecommunication equipment, home electronic appliances, amusement equipment, etc.). If you intend to use our Products in devices requiring extremely high reliability (such as medical equipment <sup>(Note 1)</sup>, transport equipment, traffic equipment, aircraft/spacecraft, nuclear power controllers, fuel controllers, car equipment including car accessories, safety devices, etc.) and whose malfunction or failure may cause loss of human life, bodily injury or serious damage to property ("Specific Applications"), please consult with the ROHM sales representative in advance. Unless otherwise agreed in writing by ROHM in advance, ROHM shall not be in any way responsible or liable for any damages, expenses or losses incurred by you or third parties arising from the use of any ROHM's Products for Specific Applications.

(Note1) Medical Equipment Classification of the Specific Applications

JAPAN	USA	EU	CHINA
CLASS III	CLASS III	CLASS II b	CLASS III
CLASS IV		CLASS III	

- ROHM designs and manufactures its Products subject to strict quality control system. However, semiconductor products can fail or malfunction at a certain rate. Please be sure to implement, at your own responsibilities, adequate safety measures including but not limited to fail-safe design against the physical injury, damage to any property, which a failure or malfunction of our Products may cause. The following are examples of safety measures:
  - Installation of protection circuits or other protective devices to improve system safety
  - Installation of redundant circuits to reduce the impact of single or multiple circuit failure
- Our Products are designed and manufactured for use under standard conditions and not under any special or extraordinary environments or conditions, as exemplified below. Accordingly, ROHM shall not be in any way responsible or liable for any damages, expenses or losses arising from the use of any ROHM's Products under any special or extraordinary environments or conditions. If you intend to use our Products under any special or extraordinary environments or conditions (as exemplified below), your independent verification and confirmation of product performance, reliability, etc. prior to use, must be necessary:
  - Use of our Products in any types of liquid, including water, oils, chemicals, and organic solvents
  - Use of our Products outdoors or in places where the Products are exposed to direct sunlight or dust
  - Use of our Products in places where the Products are exposed to sea wind or corrosive gases, including Cl<sub>2</sub>, H<sub>2</sub>S, NH<sub>3</sub>, SO<sub>2</sub>, and NO<sub>2</sub>
  - Use of our Products in places where the Products are exposed to static electricity or electromagnetic waves
  - Use of our Products in proximity to heat-producing components, plastic cords, or other flammable items
  - Sealing or coating our Products with resin or other coating materials
  - Use of our Products without cleaning residue of flux (even if you use no-clean type fluxes, cleaning residue of flux is recommended); or Washing our Products by using water or water-soluble cleaning agents for cleaning residue after soldering
  - Use of the Products in places subject to dew condensation
- The Products are not subject to radiation-proof design.
- Please verify and confirm characteristics of the final or mounted products in using the Products.
- In particular, if a transient load (a large amount of load applied in a short period of time, such as pulse. is applied, confirmation of performance characteristics after on-board mounting is strongly recommended. Avoid applying power exceeding normal rated power; exceeding the power rating under steady-state loading condition may negatively affect product performance and reliability.
- De-rate Power Dissipation depending on ambient temperature. When used in sealed area, confirm that it is the use in the range that does not exceed the maximum junction temperature.
- Confirm that operation temperature is within the specified range described in the product specification.
- ROHM shall not be in any way responsible or liable for failure induced under deviant condition from what is defined in this document.

## Precaution for Mounting / Circuit board design

- When a highly active halogenous (chlorine, bromine, etc.) flux is used, the residue of flux may negatively affect product performance and reliability.
- In principle, the reflow soldering method must be used on a surface-mount products, the flow soldering method must be used on a through hole mount products. If the flow soldering method is preferred on a surface-mount products, please consult with the ROHM representative in advance.

For details, please refer to ROHM Mounting specification



**Precautions Regarding Application Examples and External Circuits**

1. If change is made to the constant of an external circuit, please allow a sufficient margin considering variations of the characteristics of the Products and external components, including transient characteristics, as well as static characteristics.
2. You agree that application notes, reference designs, and associated data and information contained in this document are presented only as guidance for Products use. Therefore, in case you use such information, you are solely responsible for it and you must exercise your own independent verification and judgment in the use of such information contained in this document. ROHM shall not be in any way responsible or liable for any damages, expenses or losses incurred by you or third parties arising from the use of such information.

**Precaution for Electrostatic**

This Product is electrostatic sensitive product, which may be damaged due to electrostatic discharge. Please take proper caution in your manufacturing process and storage so that voltage exceeding the Products maximum rating will not be applied to Products. Please take special care under dry condition (e.g. Grounding of human body / equipment / solder iron, isolation from charged objects, setting of Ionizer, friction prevention and temperature / humidity control).

**Precaution for Storage / Transportation**

1. Product performance and soldered connections may deteriorate if the Products are stored in the places where:
  - [a] the Products are exposed to sea winds or corrosive gases, including Cl<sub>2</sub>, H<sub>2</sub>S, NH<sub>3</sub>, SO<sub>2</sub>, and NO<sub>2</sub>
  - [b] the temperature or humidity exceeds those recommended by ROHM
  - [c] the Products are exposed to direct sunshine or condensation
  - [d] the Products are exposed to high Electrostatic
2. Even under ROHM recommended storage condition, solderability of products out of recommended storage time period may be degraded. It is strongly recommended to confirm solderability before using Products of which storage time is exceeding the recommended storage time period.
3. Store / transport cartons in the correct direction, which is indicated on a carton with a symbol. Otherwise bent leads may occur due to excessive stress applied when dropping of a carton.
4. Use Products within the specified time after opening a humidity barrier bag. Baking is required before using Products of which storage time is exceeding the recommended storage time period.

**Precaution for Product Label**

QR code printed on ROHM Products label is for ROHM's internal use only.

**Precaution for Disposition**

When disposing Products please dispose them properly using an authorized industry waste company.

**Precaution for Foreign Exchange and Foreign Trade act**

Since concerned goods might be fallen under listed items of export control prescribed by Foreign exchange and Foreign trade act, please consult with ROHM in case of export.

**Precaution Regarding Intellectual Property Rights**

1. All information and data including but not limited to application example contained in this document is for reference only. ROHM does not warrant that foregoing information or data will not infringe any intellectual property rights or any other rights of any third party regarding such information or data.
2. ROHM shall not have any obligations where the claims, actions or demands arising from the combination of the Products with other articles such as components, circuits, systems or external equipment (including software).
3. No license, expressly or implied, is granted hereby under any intellectual property rights or other rights of ROHM or any third parties with respect to the Products or the information contained in this document. Provided, however, that ROHM will not assert its intellectual property rights or other rights against you or your customers to the extent necessary to manufacture or sell products containing the Products, subject to the terms and conditions herein.

**Other Precaution**

1. This document may not be reprinted or reproduced, in whole or in part, without prior written consent of ROHM.
2. The Products may not be disassembled, converted, modified, reproduced or otherwise changed without prior written consent of ROHM.
3. In no event shall you use in any way whatsoever the Products and the related technical information contained in the Products or this document for any military purposes, including but not limited to, the development of mass-destruction weapons.
4. The proper names of companies or products described in this document are trademarks or registered trademarks of ROHM, its affiliated companies or third parties.

**General Precaution**

1. Before you use our Products, you are requested to carefully read this document and fully understand its contents. ROHM shall not be in any way responsible or liable for failure, malfunction or accident arising from the use of any ROHM's Products against warning, caution or note contained in this document.
2. All information contained in this document is current as of the issuing date and subject to change without any prior notice. Before purchasing or using ROHM's Products, please confirm the latest information with a ROHM sales representative.
3. The information contained in this document is provided on an "as is" basis and ROHM does not warrant that all information contained in this document is accurate and/or error-free. ROHM shall not be in any way responsible or liable for any damages, expenses or losses incurred by you or third parties resulting from inaccuracy or errors of or concerning such information.

# Mouser Electronics

Authorized Distributor

Click to View Pricing, Inventory, Delivery & Lifecycle Information:

[ROHM Semiconductor:](#)

[BH2221FV-E2](#) [BH2223FV-E2](#)



Компания «ЭлектроПласт» предлагает заключение долгосрочных отношений при поставках импортных электронных компонентов на взаимовыгодных условиях!

Наши преимущества:

- Оперативные поставки широкого спектра электронных компонентов отечественного и импортного производства напрямую от производителей и с крупнейших мировых складов;
- Поставка более 17-ти миллионов наименований электронных компонентов;
- Поставка сложных, дефицитных, либо снятых с производства позиций;
- Оперативные сроки поставки под заказ (от 5 рабочих дней);
- Экспресс доставка в любую точку России;
- Техническая поддержка проекта, помощь в подборе аналогов, поставка прототипов;
- Система менеджмента качества сертифицирована по Международному стандарту ISO 9001;
- Лицензия ФСБ на осуществление работ с использованием сведений, составляющих государственную тайну;
- Поставка специализированных компонентов (Xilinx, Altera, Analog Devices, Intersil, Interpoint, Microsemi, Aeroflex, Peregrine, Syfer, Eurofarad, Texas Instrument, Miteq, Cobham, E2V, MA-COM, Hittite, Mini-Circuits, General Dynamics и др.);

Помимо этого, одним из направлений компании «ЭлектроПласт» является направление «Источники питания». Мы предлагаем Вам помощь Конструкторского отдела:

- Подбор оптимального решения, техническое обоснование при выборе компонента;
- Подбор аналогов;
- Консультации по применению компонента;
- Поставка образцов и прототипов;
- Техническая поддержка проекта;
- Защита от снятия компонента с производства.



#### Как с нами связаться

**Телефон:** 8 (812) 309 58 32 (многоканальный)

**Факс:** 8 (812) 320-02-42

**Электронная почта:** [org@eplast1.ru](mailto:org@eplast1.ru)

**Адрес:** 198099, г. Санкт-Петербург, ул. Калинина, дом 2, корпус 4, литера А.