

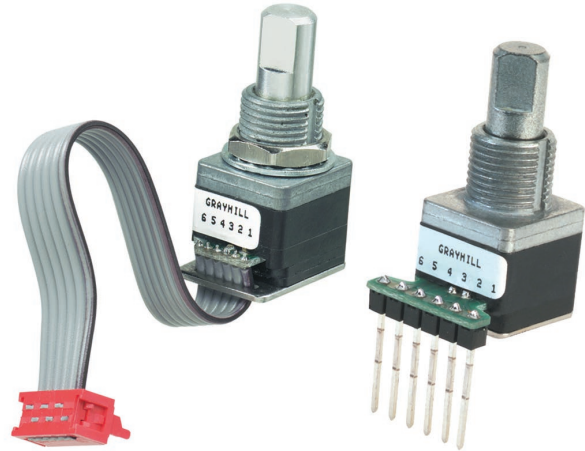
## SERIES 62A,V,D 1/2" Package

### FEATURES

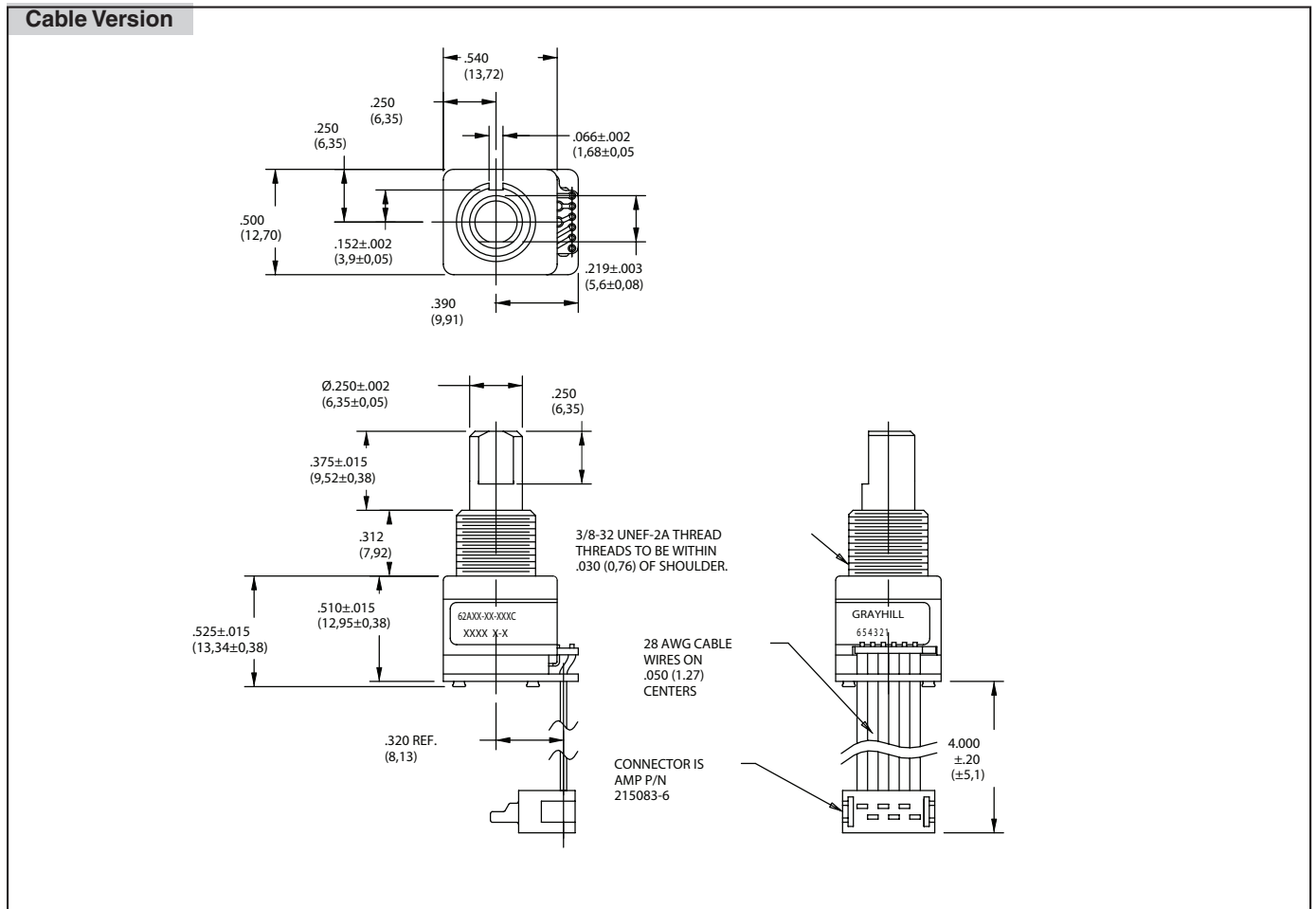
- Low Cost
- Long Life
- Available in 3.3 or 5.0 Vdc Operating Voltages
- High Torque Version to Emphasize Rotational Feel
- Economical Size
- Optically Coupled for More than a Million Cycles
- Optional Integral Pushbutton
- Compatible with CMOS, TTL and HCMOS Logic
- Available in 12,16, 20, 24 and 32 Detent Positions (Non-detent also available)
- Choice of Cable Lengths and Terminations

### APPLICATIONS

- Global Positioning/Driver Information Systems
- Medical Equipment

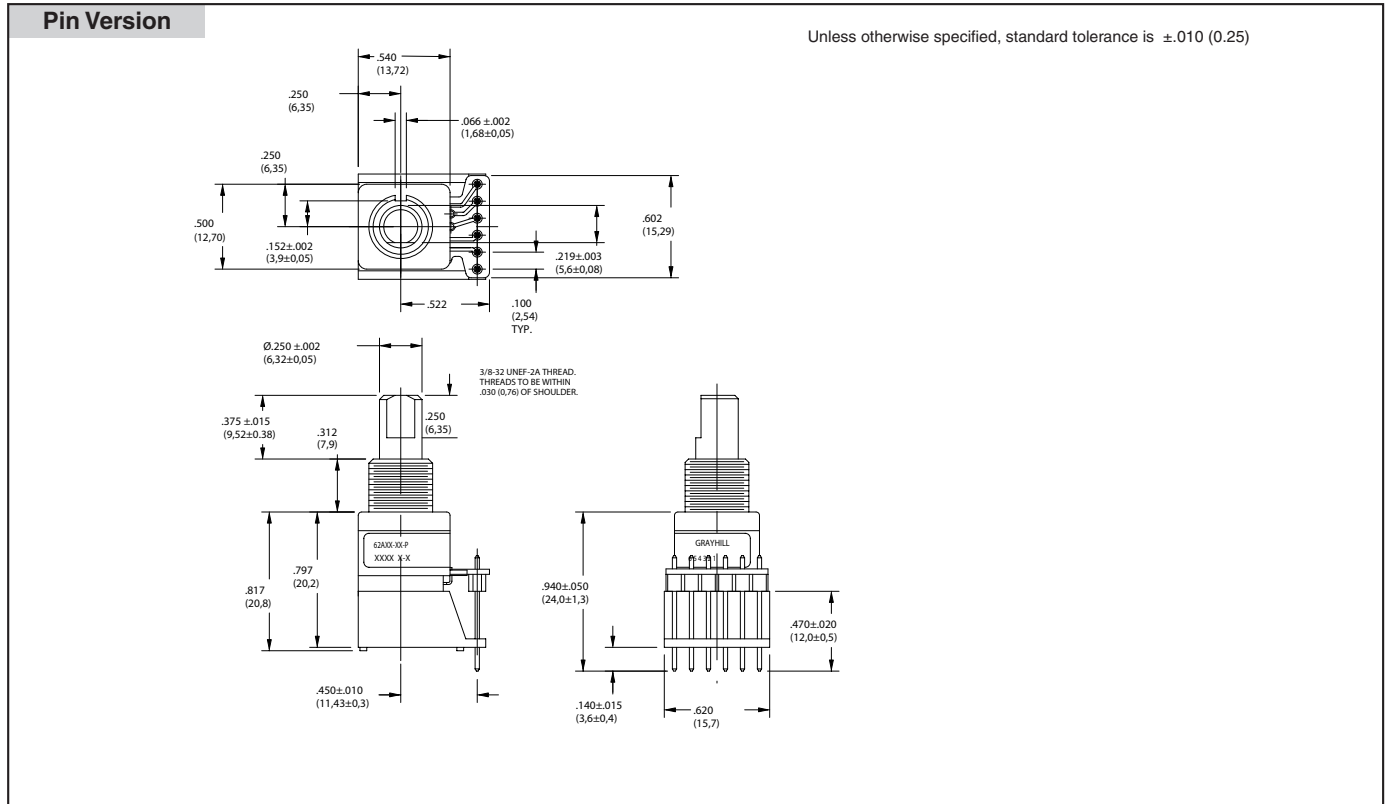


### DIMENSIONS in inches (and millimeters)



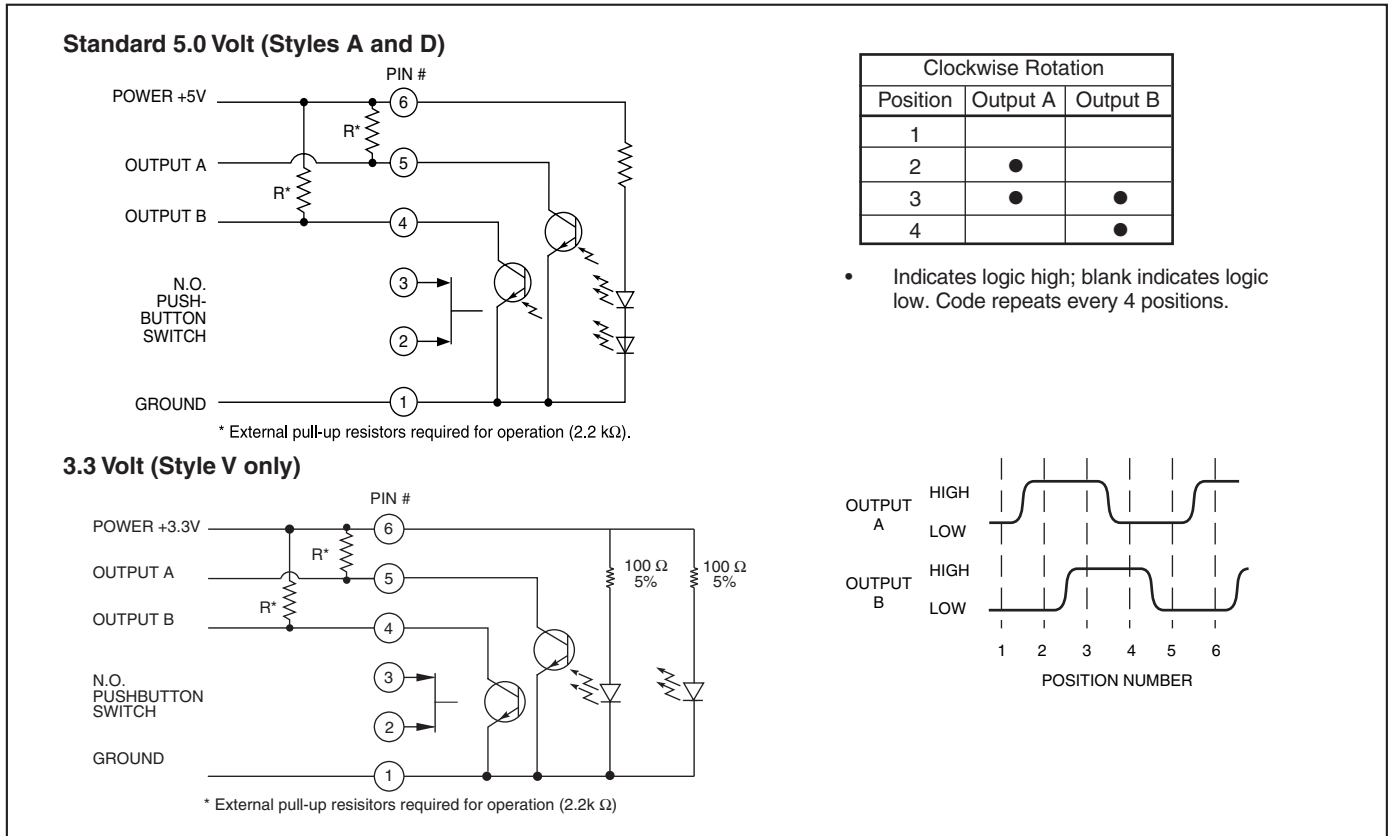
Optical and Mechanical Encoders

**DIMENSIONS** in inches (and millimeters)



Optical and Mechanical Encoders

**CIRCUITRY, TRUTH TABLE, AND WAVEFORM** Standard Quadrature 2-Bit Code



**SPECIFICATIONS**

**Electrical and Mechanical Ratings**

**Rating:** 5 Vdc, 10 mA, resistive  
**Contact Resistance:** less than 10 ohms (TTL or CMOS compatible)  
**Pushbutton Life:** 3 million actuations min.  
**Contact Bounce:** less than 4 mS at make and less than 10 mS at break  
**Actuation Force:** 1000 ±300 grams  
**Pushbutton Travel:** .010/.025 inch  
**Coding:** 2-bit quadrature coded output  
**Operating Voltage:** 5.0 ±.25 Vdc, 3.30±.125 Vdc (style V only)  
**Voltage Breakdown:** 250 Vac between mutually insulated parts  
**Supply Current:** 30 mA maximum  
**Logic Output Characteristics:**  
 Logic High: 3.8 Vdc (5.0 Vdc); 2.3 (3.3 Vdc) minimum  
 Logic Low: 0.8 Vdc maximum  
**Rotational Life:** 1,000,000 cycles minimum (One cycle is a rotation through all positions and a full return)  
**Minimum Sink Current:** 2.0 mA for 5 Vdc; 1.0 mA for 3.3 Vdc  
**Power Consumption:** 150 mW maximum for 5 Vdc; 80 mW for 3.3 Vdc  
**Optical Rise and Fall Times:** less than 30 mS maximum

**Operating Torque:**

Style A and V: 2.0 ±1.4 in-oz. initially  
 Style D: 3.5 ±1.4 in-oz initially  
 Non-detent: less than 1.5 in-oz initially  
**Shaft Push Out Force:** 45 lbs minimum  
**Mounting Torque:** 15 in-lbs maximum  
**Terminal Strength:** 15 lbs cable pull-out force minimum  
**Operating Speed:** 100 RPM maximum  
**Axial Shaft Play:** .010 maximum

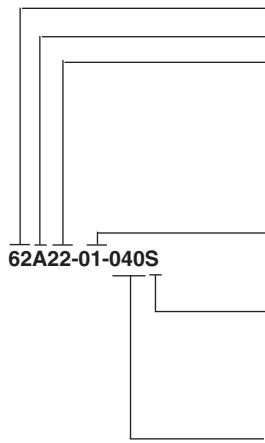
**Environmental Ratings**

**Operating Temperature Range:** -40°C to 85°C  
**Storage Temperature Range:** -55°C to 100°C  
**Relative Humidity:** 90–95% at 40°C for 96 hours  
**Vibration Resistance:** Harmonic motion with amplitude of 15G, within a varied 10 to 2000 Hz frequency for 12 hours per MIL-STD-202, Method 204  
**Mechanical Shock:** Test 1: 100G for 6 mS, half sine, 12.3 ft/s; Test 2: 100G for 6 mS, sawtooth, 9.7 ft/s

**Materials and Finishes**

**Code Housing:** Reinforced thermoplastic  
**Shaft:** Zinc or aluminum  
**Bushing:** Zinc casting  
**Shaft Retaining Ring:** Stainless steel  
**Detent Spring:** Stainless steel  
**Printed Circuit Boards:** NEMA grade FR-4 gold over nickel or palladium  
**Terminals:** Brass, tin-plated  
**Mounting Hardware:** One brass, nickel-plated nut and stainless steel lockwasher supplied with each switch. Nut is 0.094 inches thick by 0.562 inches across flats.  
**Rotor:** Thermoplastic  
**Code Housing:** Thermoplastic  
**Pushbutton Dome:** Stainless steel  
**Dome Retaining Disk:** Thermoplastic  
**Pushbutton Housing:** Thermoplastic  
**Phototransistor:** Planar Silicon NPN  
**Infrared Emitter:** Gallium aluminum arsenide  
**Pushbutton Contact:** Brass, nickel-plated  
**Flex Cable:** 28 AWG, stranded/top coated wire, PVC coated on .050 or .100" centers (cabled version)  
**Header Pins:** Phosphor bronze, tin-plated  
**Spacer:** ABS  
**Backplate/Strain Relief:** Stainless steel

**ORDERING INFORMATION**



**Series**

**Style:** A = 1/2" package, 5.0 Vdc Input, D = high torque w/5.0 Vdc input, V = 3.3 Vdc input

**Angle of Throw:**

<b>Detent</b>	<b>Non-detent (Styles A&amp;V only)</b>
11 = 11.25° or 32 positions	01 = 11.25° or 32 positions
15 = 15° or 24 positions	05 = 15° or 24 positions
18 = 18° or 20 positions	08 = 18° or 20 positions
22 = 22.5° or 16 positions	02 = 22.5° or 16 positions
30 = 30° or 12 positions	03 = 30° or 12 positions

**Pushbutton Option:** 01 = w/o pushbutton, 02 = with pushbutton

**Termination:** S = Stripped cable; .050" centers  
 SH = Stripped cable; .100" centers  
 C = Connector; .050" centers  
 CH = Connector; .100" centers  
 P = Pin; .100" centers

**Cable Length:** Cable Termination: 040 = 4.0in. Cable is terminated with Amp P/N 215083-6. See Amp Mateability Guide for Mating Connector details.  
 \*Eliminate cable length if ordering pins. (Ex: 62A22-02-P).

These switches have Quadrature 2-bit code output and an optional shaft actuated pushbutton switch.

Custom materials, styles, colors, and markings are available. Control knobs available.

**Available from your local Grayhill Component Distributor.**

For prices and discounts, contact a local Sales Office, an authorized local Distributor, or Grayhill.



Компания «ЭлектроПласт» предлагает заключение долгосрочных отношений при поставках импортных электронных компонентов на взаимовыгодных условиях!

Наши преимущества:

- Оперативные поставки широкого спектра электронных компонентов отечественного и импортного производства напрямую от производителей и с крупнейших мировых складов;
- Поставка более 17-ти миллионов наименований электронных компонентов;
- Поставка сложных, дефицитных, либо снятых с производства позиций;
- Оперативные сроки поставки под заказ (от 5 рабочих дней);
- Экспресс доставка в любую точку России;
- Техническая поддержка проекта, помощь в подборе аналогов, поставка прототипов;
- Система менеджмента качества сертифицирована по Международному стандарту ISO 9001;
- Лицензия ФСБ на осуществление работ с использованием сведений, составляющих государственную тайну;
- Поставка специализированных компонентов (Xilinx, Altera, Analog Devices, Intersil, Interpoint, Microsemi, Aeroflex, Peregrine, Syfer, Eurofarad, Texas Instrument, Miteq, Cobham, E2V, MA-COM, Hittite, Mini-Circuits, General Dynamics и др.);

Помимо этого, одним из направлений компании «ЭлектроПласт» является направление «Источники питания». Мы предлагаем Вам помощь Конструкторского отдела:

- Подбор оптимального решения, техническое обоснование при выборе компонента;
- Подбор аналогов;
- Консультации по применению компонента;
- Поставка образцов и прототипов;
- Техническая поддержка проекта;
- Защита от снятия компонента с производства.



#### Как с нами связаться

**Телефон:** 8 (812) 309 58 32 (многоканальный)

**Факс:** 8 (812) 320-02-42

**Электронная почта:** [org@eplast1.ru](mailto:org@eplast1.ru)

**Адрес:** 198099, г. Санкт-Петербург, ул. Калинина, дом 2, корпус 4, литера А.