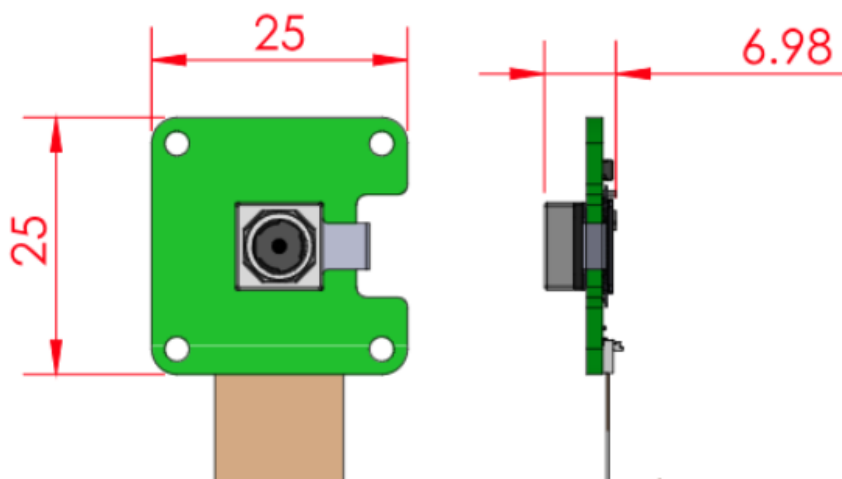


Coral

# Camera Datasheet

Beta version



# Features

- 5-megapixel OmniVision sensor
  - 1.4um x 1.4um pixel
  - Active array size 2582x1933
- Optical size: ¼"
- Field of view: 84.0° / 87.6°
- F-number: F=2.2 ±5%
- TV distortion: <1.5%
- Focal length: 2.5mm
- Focusing range: 10cm ~ ∞
- Dual lane MIPI output interface
- Board dimensions: 25 x 25 mm

## Overview

The camera attaches to the Coral Dev Board with a 24-pin FFC.

Other features include:

- ISP function: Automatic exposure control (AEC), automatic white balance (AWB), automatic band filter (ABF), automatic 50/60 Hz lamination, automatic blacklevel calibration (ABLC).
- Image quality control: color saturation, hue, gamma, sharpness, lens correction, defective pixel canceling, and noise canceling.
- Support autofocus control (AFC) with embedded AF VCM Driver.

For more information about the sensor, read about the [Omnivision SOC](#).

## Table of contents

- [Autofocus interface](#)
- [Camera adapter](#)
- [Snapshot tool](#)
- [Certifications](#)

# Autofocus interface

The camera supports one-shot autofocus and continuous autofocus modes.

The Dev Board's sysfs node for the autofocus hardware is at `/sys/module/ov5645_camera_mipi_v2/parameters/ov5645_af` and it reads back the decimal representation of the status register in the autofocus hardware. The read values are as follows.

Read value	Description
0 (0x00)	Autofocus is running.
16 (0x10)	Autofocus is complete (focused).
32 (0x20)	Analyzing the image. This state occurs intermittently when attempting to reach focus. It occurs once during one-shot autofocus mode before focus locks, and it is the steady state during continuous autofocus mode.
112 (0x70)	Idle. Focus is released and the lens is at its resting (furthest) position.

To change the autofocus mode, write one of the following values to the `/sys/module/ov5645_camera_mipi_v2/parameters/ov5645_af` file as follows.

Write value	Description
0	Turn off autofocus.
1	Enable one-shot autofocus mode. The camera will seek focus and then lock focus. (It will analyze the image once, and focus once.)
2	Enable continuous autofocus mode. The camera will continuously seek focus. (It will analyze the image and focus, then continue to analyze the image and refocus when necessary.)

For example, the following command enables continuous autofocus:

```
echo 2 > /sys/module/ov5645_camera_mipi_v2/parameters/ov5645_af
```

## Camera adapter

We designed a simple camera adapter board to interface the camera with the Dev Board, as illustrated in figure 1.

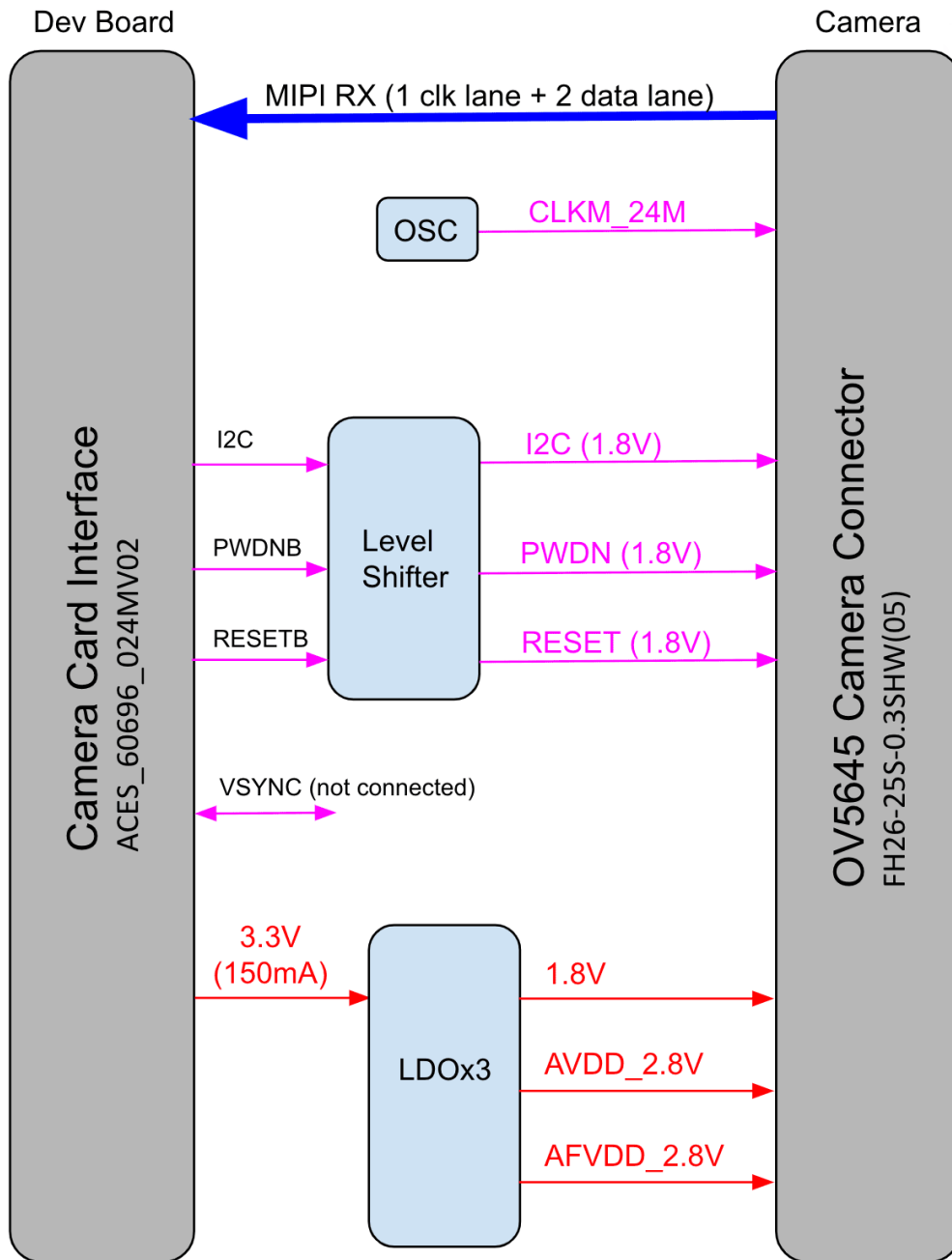


Figure 1. Camera adapter card diagram

The MIPI-CSI2 camera connector is a 24-pin flex cable connector that's designed for the Coral Camera. The pinouts for the camera's cable connector (on the camera module), are shown in table 1. Whereas the corresponding pins on the Dev Board's connector are shown in table 2.

Table 1. Pinout for the cable connector on the camera module

Pin #	Name
1	DGND
2	NC
3	AF_VDD2. 8V
4	DVDD1. 2V (NC)
5	SI0C
6	NC
7	SI0C
8	D0VDD1. 8V
9	DGND
10	PWDN
11	MC_N
12	RESETB

Pin #	Name
13	MC_P
14	DGND
15	MD0_N
16	XCLK
17	MD0_P
18	DGND
19	MD1_N
20	NC
21	MD1_P
22	AVDD2. 8V
23	AVDD2. 8V
24	AGND
25	NC

**Table 2.** Pinout for the cable connector on the Dev Board

Pin #	Name
1	GND
2	MIPI_CSI_D0N
3	MIPI_CSI_D0P
4	GND
5	MIPI_CSI_D1N
6	MIPI_CSI_D1P
7	GND
8	MIPI_CSI_CLKN
9	MIPI_CSI_CLKP
10	GND
11	MIPI_CSI_D2N
12	MIPI_CSI_D2P

Pin #	Name
13	GND
14	MIPI_CSI_D3N
15	MIPI_CSI_D3P
16	GND
17	CAM_PWDNB
18	CAM_CLK
19	GND
20	CAM_I2C_SCL
21	CAM_I2C_SDA
22	VSYNC
23	CAM_RESETB
24	3V3

**Table 3.** I2C address

Write	0X78
Read	0X79

## Snapshot tool

The Mendel system image on the Coral Dev Board includes a Python program called `snapshot` that captures images with the connected Coral Camera.

To start it using an interactive mode, just run `snapshot` from the terminal. Then use the following keys to control the camera:

- Spacebar to snap a photo
- R to refocus
- Q to quit (or Control+C)

When using this interactive mode, each time you press Spacebar, it saves the image to the current directory as a JPEG. The filename includes an incrementing number, starting with `img0000.jpg`. Overwriting filenames is avoided by always starting with the first available enumeration of the filename.

The command also accepts the following arguments:

Argument	Description
<code>--oneshot</code>	Enable one-shot mode: Capture just one picture and quit, instead of using the interactive mode that accepts keyboard commands.
<code>--prefix, -p <i>name</i></code>	The filename prefix. This name is also appended with a four-digit number to avoid overwriting any file with the same prefix—the number is always the first enumeration that's not used. For example, <code>name0000.jpg</code> and then <code>name0001.jpg</code> . The default prefix name is <code>img</code> .
<code>--format, -f <i>type</i></code>	The file format. The <i>type</i> may be either: <code>jpg</code> , <code>bmp</code> , or <code>png</code> . The default is <code>jpg</code> .

The snapshot code is located at `/usr/bin/snapshot`.

## Certifications

Market	Certifications
USA	FCC
European Union	CE



Компания «ЭлектроПласт» предлагает заключение долгосрочных отношений при поставках импортных электронных компонентов на взаимовыгодных условиях!

Наши преимущества:

- Оперативные поставки широкого спектра электронных компонентов отечественного и импортного производства напрямую от производителей и с крупнейших мировых складов;
- Поставка более 17-ти миллионов наименований электронных компонентов;
- Поставка сложных, дефицитных, либо снятых с производства позиций;
- Оперативные сроки поставки под заказ (от 5 рабочих дней);
- Экспресс доставка в любую точку России;
- Техническая поддержка проекта, помощь в подборе аналогов, поставка прототипов;
- Система менеджмента качества сертифицирована по Международному стандарту ISO 9001;
- Лицензия ФСБ на осуществление работ с использованием сведений, составляющих государственную тайну;
- Поставка специализированных компонентов (Xilinx, Altera, Analog Devices, Intersil, Interpoint, Microsemi, Aeroflex, Peregrine, Syfer, Eurofarad, Texas Instrument, Miteq, Cobham, E2V, MA-COM, Hittite, Mini-Circuits, General Dynamics и др.);

Помимо этого, одним из направлений компании «ЭлектроПласт» является направление «Источники питания». Мы предлагаем Вам помощь Конструкторского отдела:

- Подбор оптимального решения, техническое обоснование при выборе компонента;
- Подбор аналогов;
- Консультации по применению компонента;
- Поставка образцов и прототипов;
- Техническая поддержка проекта;
- Защита от снятия компонента с производства.



#### Как с нами связаться

**Телефон:** 8 (812) 309 58 32 (многоканальный)

**Факс:** 8 (812) 320-02-42

**Электронная почта:** [org@eplast1.ru](mailto:org@eplast1.ru)

**Адрес:** 198099, г. Санкт-Петербург, ул. Калинина, дом 2, корпус 4, литера А.