

### FEATURES

- Complete 12-Bit D/A Function
- Double-Buffered Latch
- On Chip Output Amplifier
- High Stability Buried Zener Reference
- Single Chip Construction
- Monotonicity Guaranteed Over Temperature
- Linearity Guaranteed Over Temperature: 1/2 LSB max
- Settling Time: 3  $\mu$ s max to 0.01%
- Guaranteed for Operation with  $\pm 12$  V or  $\pm 15$  V Supplies
- Low Power: 300 mW Including Reference
- TTL/5 V CMOS Compatible Logic Inputs
- Low Logic Input Currents
- MIL-STD-883 Compliant Versions Available

### PRODUCT DESCRIPTION

The AD667 is a complete voltage output 12-bit digital-to-analog converter including a high stability buried Zener voltage reference and double-buffered input latch on a single chip. The converter uses 12 precision high speed bipolar current steering switches and a laser trimmed thin-film resistor network to provide fast settling time and high accuracy.

Microprocessor compatibility is achieved by the on-chip double-buffered latch. The design of the input latch allows direct interface to 4-, 8-, 12-, or 16-bit buses. The 12 bits of data from the first rank of latches can then be transferred to the second rank, avoiding generation of spurious analog output values. The latch responds to strobe pulses as short as 100 ns, allowing use with the fastest available microprocessors.

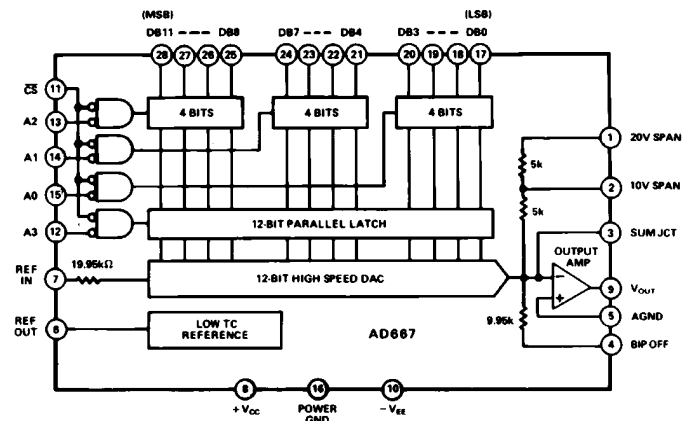
The functional completeness and high performance in the AD667 results from a combination of advanced switch design, high speed bipolar manufacturing process, and the proven laser wafer-trimming (LWT) technology. The AD667 is trimmed at the wafer level and is specified to  $\pm 1/4$  LSB maximum linearity error (K, B grades) at  $+25^\circ\text{C}$  and  $\pm 1/2$  LSB over the full operating temperature range.

The subsurface (buried) Zener diode on the chip provides a low noise voltage reference which has long-term stability and temperature drift characteristics comparable to the best discrete reference diodes. The laser trimming process which provides the excellent linearity, is also used to trim the absolute value of the reference as well as its temperature coefficient. The AD667 is thus well suited for wide temperature range performance with  $\pm 1/2$  LSB maximum linearity error and guaranteed monotonicity over the full temperature range. Typical full-scale gain TC is 5 ppm/ $^\circ\text{C}$ .

### REV. A

Information furnished by Analog Devices is believed to be accurate and reliable. However, no responsibility is assumed by Analog Devices for its use, nor for any infringements of patents or other rights of third parties which may result from its use. No license is granted by implication or otherwise under any patent or patent rights of Analog Devices.

### FUNCTIONAL BLOCK DIAGRAM



The AD667 is available in five performance grades. The AD667J and K are specified for use over the  $0^\circ\text{C}$  to  $+70^\circ\text{C}$  temperature range and are available in a 28-pin molded plastic DIP (N) or PLCC (P) package. The AD667S grade is specified for the  $-55^\circ\text{C}$  to  $+125^\circ\text{C}$  range and is available in the ceramic DIP (D) or LCC (E) package. The AD667A and B are specified for use over the  $-25^\circ\text{C}$  to  $+85^\circ\text{C}$  temperature range and are available in a 28-pin hermetically sealed ceramic DIP (D) package.

### PRODUCT HIGHLIGHTS

1. The AD667 is a complete voltage output DAC with voltage reference and digital latches on a single IC chip.
2. The double-buffered latch structure permits direct interface to 4-, 8-, 12-, or 16-bit data buses. All logic inputs are TTL or 5 volt CMOS compatible.
3. The internal buried Zener reference is laser-trimmed to 10.00 volts with a  $\pm 1\%$  maximum error. The reference voltage is also available for external application.
4. The gain setting and bipolar offset resistors are matched to the internal ladder network to guarantee a low gain temperature coefficient and are laser-trimmed for minimum full-scale and bipolar offset errors.
5. The precision high speed current steering switch and on-board high speed output amplifier settle within 1/2 LSB for a 10 V full-scale transition in 2.0  $\mu$ s as when properly compensated.
6. The AD667 is available in versions compliant with MIL-STD-883. Refer to the Analog Devices Military Products Databook or current AD667/883B data sheet for detailed specifications.

# AD667—SPECIFICATIONS (@ T<sub>A</sub> = +25°C, ±12 V, ±15 V power supplies unless otherwise noted)

Model	AD667J			AD667K			Units
	Min	Typ	Max	Min	Typ	Max	
<b>DIGITAL INPUTS</b>							
Resolution			12			12	Bits
Logic Levels (TTL, Compatible, T <sub>MIN</sub> -T <sub>MAX</sub> ) <sup>1</sup>							
V <sub>IH</sub> (Logic "1")	<b>+2.0</b>		+5.5	<b>+2.0</b>		+5.5	V
V <sub>IL</sub> (Logic "0")	0		<b>+0.8</b>	0		<b>+0.8</b>	V
I <sub>IH</sub> (V <sub>IH</sub> = 5.5 V)		3	<b>10</b>		3	<b>10</b>	μA
I <sub>IL</sub> (V <sub>IL</sub> = 0.8 V)		1	5		1	5	μA
<b>TRANSFER CHARACTERISTICS</b>							
<b>ACCURACY</b>							
Linearity Error @ +25°C		±1/4	±1/2		±1/8	±1/4	LSB
T <sub>A</sub> = T <sub>MIN</sub> to T <sub>MAX</sub>		±1/2	±3/4		±1/4	±1/2	LSB
Differential Linearity Error @ +25°C		±1/2	±3/4		±1/4	±1/2	LSB
T <sub>A</sub> = T <sub>MIN</sub> to T <sub>MAX</sub>		<b>Monotonicity Guaranteed</b>			<b>Monotonicity Guaranteed</b>		LSB
Gain Error <sup>2</sup>		±0.1	±0.2		±0.1	±0.2	% FSR <sup>3</sup>
Unipolar Offset Error <sup>2</sup>		±1	±2		±1	±2	LSB
Bipolar Zero <sup>2</sup>		±0.05	±0.1		±0.05	±0.1	% of FSR
<b>DRIFT</b>							
Differential Linearity		±2			±2		ppm of FSR/°C
Gain (Full Scale) T <sub>A</sub> = 25°C to T <sub>MIN</sub> or T <sub>MAX</sub>		±5	±30		±5	±15	ppm of FSR/°C
Unipolar Offset T <sub>A</sub> = -25°C to T <sub>MIN</sub> or T <sub>MAX</sub>		±1	±3			±3	ppm of FSR/°C
Bipolar Zero T <sub>A</sub> = 25°C to T <sub>MIN</sub> or T <sub>MAX</sub>		±5	±10			±10	ppm of FSR/°C
<b>CONVERSION SPEED</b>							
Settling Time to ±0.01% of FSR for FSR Change (2 kΩ  500 pF Load) with 10 kΩ Feedback		3	4		3	4	μs
with 5 kΩ Feedback		2	3		2	3	μs
For LSB Change		1			1		μs
Slew Rate	10			10			V/μs
<b>ANALOG OUTPUT</b>							
Ranges <sup>4</sup>		±2.5, ±5, ±10, ±5, +10			±2.5, ±5, ±10, +5, +10		V
Output Current	±5			±5			mA
Output Impedance (DC)		0.05			0.05		Ω
Short Circuit Current			40			40	mA
<b>REFERENCE OUTPUT</b>							
External Current	<b>9.90</b>	10.00	<b>10.10</b>	<b>9.90</b>	10.00	<b>10.10</b>	V
	0.1	1.0		0.1	1.0		mA
<b>POWER SUPPLY SENSITIVITY</b>							
V <sub>CC</sub> = +11.4 V to +16.5 V dc		5	<b>10</b>		5	<b>10</b>	ppm of FS/%
V <sub>EE</sub> = -11.4 V to -16.5 V dc		5	<b>10</b>		5	<b>10</b>	ppm of FS/%
<b>POWER SUPPLY REQUIREMENTS</b>							
Rated Voltages		±12, ±15			±12, ±15		V
Range <sup>4</sup>	<b>±11.4</b>		<b>±16.5</b>	<b>±11.4</b>		<b>±16.5</b>	V
Supply Current							
+11.4 V to +16.5 V dc		8	<b>12</b>		8	<b>12</b>	mA
-11.4 V to -16.5 V dc		20	<b>25</b>		20	<b>25</b>	mA
<b>TEMPERATURE RANGE</b>							
Specification	0		+70	0		+70	°C
Storage	-65		+125	-65		+125	°C

## NOTES

<sup>1</sup>The digital input specifications are 100% tested at +25°C, and guaranteed but not tested over the full temperature range.

<sup>2</sup>Adjustable to zero.

<sup>3</sup>FSR means "Full-Scale Range" and is 20 V for ±10 V range and 10 V for the ±5 V range.

<sup>4</sup>A minimum power supply of ±12.5 V is required for a ±10 V full-scale output and ±11.4 V is required for all other voltage ranges.

Specifications subject to change without notice.

Specifications shown in **boldface** are tested on all production units at final electrical test. Results from those tests are used to calculate outgoing quality levels. All min and max specifications are guaranteed, although only those shown in boldface are tested on all production units.

## TIMING SPECIFICATIONS

(All Models, T<sub>A</sub> = +25°C, V<sub>CC</sub> = +12 V or +15 V, V<sub>EE</sub> = -12 V or -15 V)

Symbol	Parameter	Min	Typ	Max	
t <sub>DC</sub>	Data Valid to End of $\overline{CS}$	50	-	-	ns
t <sub>AC</sub>	Address Valid to End of $\overline{CS}$	100	-	-	ns
t <sub>CP</sub>	$\overline{CS}$ Pulse Width	100	-	-	ns
t <sub>DH</sub>	Data Hold Time	0	-	-	ns
t <sub>SETT</sub>	Output Voltage Settling Time	-	2	4	μs

## ABSOLUTE MAXIMUM RATINGS

V <sub>CC</sub> to Power Ground	0 V to +18 V
V <sub>EE</sub> to Power Ground	0 V to -18 V
Digital Inputs (Pins 11-15, 17-28)	
to Power Ground	-1.0 V to +7.0 V
Ref In to Reference Ground	±12 V
Bipolar Offset to Reference Ground	±12 V
10 V Span R to Reference Ground	±12 V
20 V Span R to Reference Ground	±24 V
Ref Out, V <sub>OUT</sub> (Pins 6, 9) .. Indefinite Short to Power Ground	
..... Momentary Short to V <sub>CC</sub>	
Power Dissipation	1000 mW

Model	AD667A			AD667B			AD667S			Units
	Min	Typ	Max	Min	Typ	Max	Min	Typ	Max	
<b>DIGITAL INPUTS</b>										
Resolution			12			12			12	Bits
Logic Levels (TTL, Compatible, $T_{MIN}$ - $T_{MAX}$ ) <sup>1</sup>										
$V_{IH}$ (Logic "1")	+2.0		+5.5	+2.0		+5.5	+2.0		+5.5	V
$V_{IL}$ (Logic "0")	0		+0.8	0		+0.8	0		+0.7	V
$I_{IH}$ ( $V_{IH} = 5.5$ V)		3	10		3	10		3	10	$\mu$ A
$I_{IL}$ ( $V_{IL} = 0.8$ V)		1	5		1	5		1	5	$\mu$ A
<b>TRANSFER CHARACTERISTICS</b>										
<b>ACCURACY</b>										
Linearity Error @ +25°C		$\pm 1/4$	$\pm 1/2$		$\pm 1/8$	$\pm 1/4$		$\pm 1/8$	$\pm 1/2$	LSB
$T_A = T_{MIN}$ to $T_{MAX}$		$\pm 1/2$	$\pm 3/4$		$\pm 1/4$	$\pm 1/2$		$\pm 1/8$	$\pm 3/4$	LSB
Differential Linearity Error @ +25°C		$\pm 1/2$	$\pm 3/4$		$\pm 1/4$	$\pm 1/2$		$\pm 1/4$	$\pm 3/4$	LSB
$T_A = T_{MIN}$ to $T_{MAX}$		<b>Monotonicity Guaranteed</b>			<b>Monotonicity Guaranteed</b>			<b>Monotonicity Guaranteed</b>		LSB
Gain Error <sup>2</sup>		$\pm 0.1$	$\pm 0.2$		$\pm 0.1$	$\pm 0.2$		$\pm 0.1$	$\pm 0.2$	% FSR <sup>3</sup>
Unipolar Offset Error <sup>2</sup>		$\pm 1$	$\pm 2$		$\pm 1$	$\pm 2$		$\pm 1$	$\pm 2$	LSB
Bipolar Zero <sup>2</sup>		$\pm 0.05$	$\pm 0.1$		$\pm 0.05$	$\pm 0.1$		$\pm 0.05$	$\pm 0.1$	% of FSR
<b>DRIFT</b>										
Differential Linearity		$\pm 2$			$\pm 2$			$\pm 2$		ppm of FSR/°C
Gain (Full Scale) $T_A = 25^\circ\text{C}$ to $T_{MIN}$ or $T_{MAX}$		$\pm 5$	$\pm 30$		$\pm 5$	$\pm 15$		$\pm 15$	$\pm 30$	ppm of FSR/°C
Unipolar Offset $T_A = 25^\circ\text{C}$ to $T_{MIN}$ or $T_{MAX}$		$\pm 1$	$\pm 3$		$\pm 1$	$\pm 3$		$\pm 1$	$\pm 3$	ppm of FSR/°C
Bipolar Zero $T_A = 25^\circ\text{C}$ to $T_{MIN}$ or $T_{MAX}$		$\pm 5$	$\pm 10$		$\pm 5$	$\pm 10$		$\pm 5$	$\pm 10$	ppm of FSR/°C
<b>CONVERSION SPEED</b>										
Settling Time to $\pm 0.01\%$ of FSR for FSR Change (2 k $\Omega$ /500 pF Load)										
with 10 k $\Omega$ Feedback		3	4		3	4		3	4	$\mu$ s
with 5 k $\Omega$ Feedback		2	3		2	3		2	3	$\mu$ s
For LSB Change		1			1			1		$\mu$ s
Slew Rate	10			10			10			V/ $\mu$ s
<b>ANALOG OUTPUT</b>										
Ranges <sup>4</sup>		$\pm 2.5, \pm 5, \pm 10, \pm 5, +10$			$\pm 2.5, \pm 5, \pm 10, \pm 5, +10$			$\pm 2.5, \pm 5, \pm 10, \pm 5, +10$		V
Output Current	$\pm 5$			$\pm 5$			$\pm 5$			mA
Output Impedance (DC)		0.05			0.05			0.05		$\Omega$
Short Circuit Current			40			40			40	mA
<b>REFERENCE OUTPUT</b>										
External Current	<b>9.90</b>	10.00	<b>10.10</b>	<b>9.90</b>	10.00	<b>10.10</b>	<b>9.90</b>	10.00	<b>10.10</b>	V
	0.1	1.0		0.1	1.0		1.0			mA
<b>POWER SUPPLY SENSITIVITY</b>										
$V_{CC} = +11.4$ V to $+16.5$ V dc		5	10		5	10		5	10	ppm of FS/%
$V_{EE} = -11.4$ V to $-16.5$ V dc		5	10		5	10		5	10	ppm of FS/%
<b>POWER SUPPLY REQUIREMENTS</b>										
Rated Voltages		$\pm 12, \pm 15$			$\pm 12, \pm 15$			$\pm 12, \pm 15$		V
Range <sup>4</sup>	$\pm 11.4$		$\pm 16.5$	$\pm 11.4$		$\pm 16.5$	$\pm 11.4$		$\pm 16.5$	V
Supply Current										
+11.4 V to +16.5 V dc		8	12		8	12		8	12	mA
-11.4 V to -16.5 V dc		20	25		20	25		20	25	mA
<b>TEMPERATURE RANGE</b>										
Specification	-25		+85	-25		+85	-55		+125	°C
Storage	-65		+150	-65		+150	-65		+150	°C

## TIMING DIAGRAMS

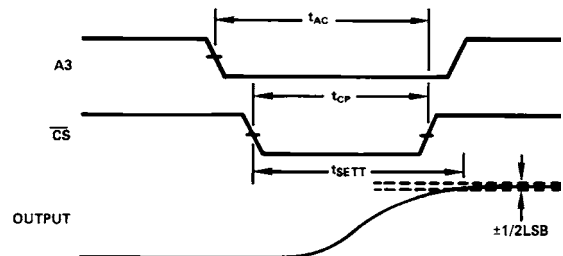
### WRITE CYCLE #1

(Load First Rank from Data Bus; A3 = 1)

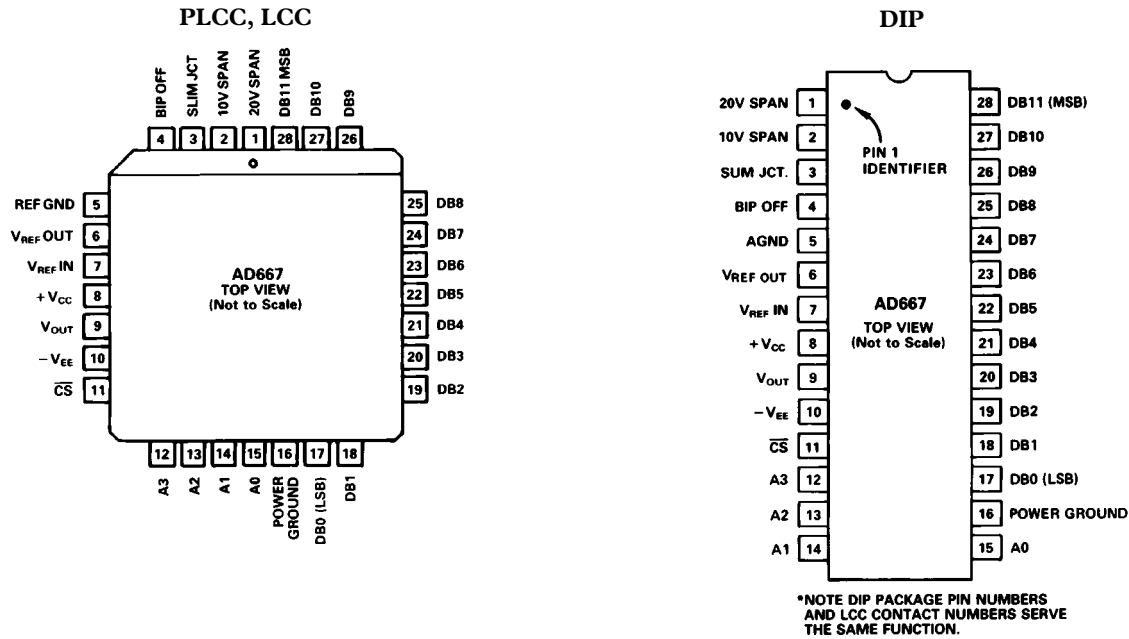


### WRITE CYCLE #2

(Load Second Rank from First Rank; A2, A1, A0 = 1)



## PIN CONNECTIONS



### ORDERING GUIDE

Model <sup>1</sup>	Temperature Range—°C	Linearity Error Max @ +25°C	Gain TC Max ppm/°C	Package Option <sup>2</sup>
AD667JN	0 to +70	±1/2 LSB	30	Plastic DIP (N-28)
AD667JP	0 to +70	±1/2 LSB	30	PLCC (P-28A)
AD667KN	0 to +70	±1/4 LSB	15	Plastic DIP (N-28)
AD667KP	0 to +70	±1/4 LSB	15	PLCC (P-28A)
AD667AD	25 to +85	±1/2 LSB	30	Ceramic DIP (D-28)
AD667BD	-25 to +85	±1/4 LSB	15	Ceramic DIP (D-28)
AD667SD	-55 to +125	±1/2 LSB	30	Ceramic DIP (D-28)
AD667SE	-55 to +125	±1/2 LSB	30	LCC (E-28A)
AD667/883B	-55 to +125	*	*	*

#### NOTES

\*Refer to AD667/883B military data sheet.

<sup>1</sup>For details on grade and package offerings screened in accordance with MIL-STD-883, refer to the Analog Devices Military Products Databook or current AD667/883B data sheet.

<sup>2</sup>D = Ceramic DIP; E = Leadless Ceramic Chip Carrier; N = Plastic DIP; P = Plastic Leaded Chip.

### THE AD667 OFFERS TRUE 12-BIT PERFORMANCE OVER THE FULL TEMPERATURE RANGE

**LINEARITY ERROR:** Analog Devices defines linearity error as the maximum deviation of the actual, adjusted DAC output

from the ideal analog output (a straight line drawn from 0 to FS - 1 LSB) for any bit combination. The AD667 is laser trimmed to 1/4 LSB (0.006% of FS) maximum error at +25°C for the K and B versions and 1/2 LSB for the J, A and S versions.

**MONOTONICITY:** A DAC is said to be monotonic if the output either increases or remains constant for increasing digital inputs such that the output will always be a nondecreasing function of input. All versions of the AD667 are monotonic over their full operating temperature range.

**DIFFERENTIAL NONLINEARITY:** Monotonic behavior requires that the differential linearity error be less than 1 LSB both at +25°C and over the temperature range of interest. Differential nonlinearity is the measure of the variation in analog value, normalized to full scale, associated with a 1 LSB change in digital input code. For example, for a 10 volt full-scale output, a change of 1 LSB in digital input code should result in a 2.44 mV change in the analog output (1 LSB = 10 V × 1/4096 = 2.44 mV). If in actual use, however, a 1 LSB change in the input code results in a change of only 0.61 mV (1/4 LSB) in analog output, the differential linearity error would be -1.83 mV, or -3/4 LSB. The AD667K and B grades have a max differential linearity error of 1/2 LSB, which specifies that every step will be at least 1/2 LSB and at most 1 1/2 LSB.

Table I. Output Voltage Range Connections

Output Range	Digital Input Codes	Connect Pin 9 to	Connect Pin 1 to	Connect Pin 2 to	Connect Pin 4 to
±10 V	Offset Binary	1	9	NC	6 (Through 50 Ω Fixed or 100 Ω Trim Resistor)
±5 V	Offset Binary	1 and 2	2 and 9	1 and 9	6 (Through 50 Ω Fixed or 100 Ω Trim Resistor)
±2.5 V	Offset Binary	2	3	9	6 (Through 50 Ω Fixed or 100 Ω Trim Resistor)
0 V to +10 V	Straight Binary	1 and 2	2 and 9	1 and 9	5 (or Optional Trim—See Figure 2)
0 V to +5 V	Straight Binary	2	3	9	5 (or Optional Trim—See Figure 2)

### ANALOG CIRCUIT CONNECTIONS

Internal scaling resistors provided in the AD667 may be connected to produce bipolar output voltage ranges of  $\pm 10$ ,  $\pm 5$  or  $\pm 2.5$  V or unipolar output voltage ranges of 0 V to +5 V or 0 V to +10 V.

Gain and offset drift are minimized in the AD667 because of the thermal tracking of the scaling resistors with other device components. Connections for various output voltage ranges are shown in Table I.

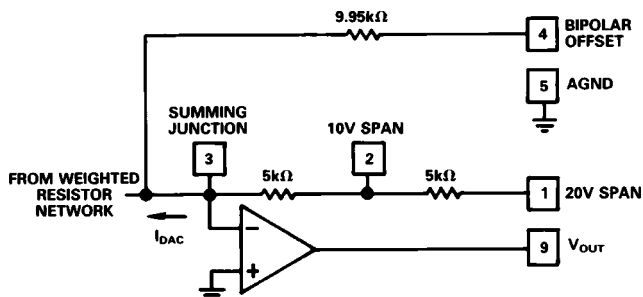


Figure 1. Output Amplifier Voltage Range Scaling Circuit

### UNIPOLAR CONFIGURATION (Figure 2)

This configuration will provide a unipolar 0 volt to +10 volt output range. In this mode, the bipolar offset terminal, Pin 4, should be grounded if not used for trimming.

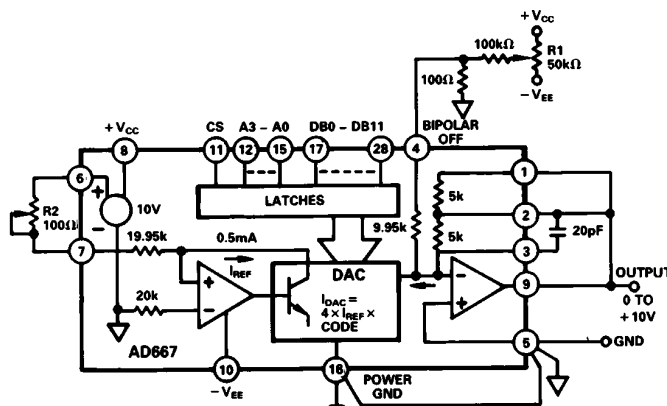


Figure 2. 0 V to +10 V Unipolar Voltage Output

#### STEP I . . . ZERO ADJUST

Turn all bits OFF and adjust zero trimmer R1, until the output reads 0.000 volts (1 LSB = 2.44 mV). In most cases this trim is not needed, and Pin 4 should be connected to Pin 5.

#### STEP II . . . GAIN ADJUST

Turn all bits ON and adjust 100 Ω gain trimmer R2, until the output is 9.9976 volts. (Full scale is adjusted to 1 LSB less than nominal full scale of 10.000 volts.)

### BIPOLAR CONFIGURATION (Figure 3)

This configuration will provide a bipolar output voltage from -5.000 to +4.9976 volts, with positive full scale occurring with all bits ON (all 1s).

#### STEP I . . . OFFSET ADJUST

Turn OFF all bits. Adjust 100 Ω trimmer R1 to give -5.000 volts output.

#### STEP II . . . GAIN ADJUST

Turn ON all bits. Adjust 100 Ω gain trimmer R2 to give a reading of +4.9976 volts.

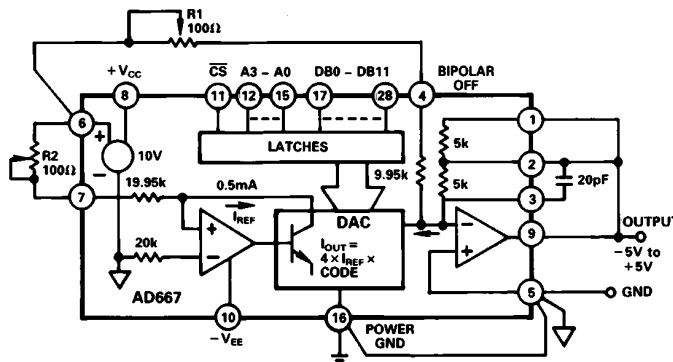


Figure 3.  $\pm 5$  V Bipolar Voltage Output

### INTERNAL/EXTERNAL REFERENCE USE

The AD667 has an internal low noise buried Zener diode reference which is trimmed for absolute accuracy and temperature coefficient. This reference is buffered and optimized for use in a high speed DAC and will give long-term stability equal or superior to the best discrete Zener reference diodes. The performance of the AD667 is specified with the internal reference driving the DAC since all trimming and testing (especially for full-scale error and bipolar offset) is done in this configuration.

The internal reference has sufficient buffering to drive external circuitry in addition to the reference currents required for the DAC (typically 0.5 mA to Ref In and 1.0 mA to Bipolar Offset). A minimum of 0.1 mA is available for driving external loads. The AD667 reference output should be buffered with an external op amp if it is required to supply more than 0.1 mA output current. The reference is typically trimmed to  $\pm 0.2\%$ , then tested and guaranteed to  $\pm 1.0\%$  max error. The temperature coefficient is comparable to that of the full-scale TC for a particular grade.

If an external reference is used (10.000 V, for example), additional trim range must be provided, since the internal reference has a tolerance of  $\pm 1\%$ , and the AD667 full-scale and bipolar offset are both trimmed with the internal reference. The gain and offset trim resistors give about  $\pm 0.25\%$  adjustment range, which is sufficient for the AD667 when used with the internal reference.

It is also possible to use external references other than 10 volts. The recommended range of reference voltage is from +8 to +11 volts, which allows both 8.192 V and 10.24 V ranges to be used. The AD667 is optimized for fixed-reference applications. If the reference voltage is expected to vary over a wide range in a particular application, a CMOS multiplying DAC is a better choice.

Reduced values of reference voltage will also permit the  $\pm 12$  volt  $\pm 5\%$  power supply requirement to be relaxed to  $\pm 12$  volts  $\pm 10\%$ .

It is not recommended that the AD667 be used with external feedback resistors to modify the scale factor. The internal resistors are trimmed to ratio-match and temperature-track the other resistors on the chip, even though their absolute tolerances are  $\pm 20\%$ , and absolute temperature coefficients are approximately  $-50$  ppm/ $^{\circ}\text{C}$ . If external resistors are used, a wide trim range ( $\pm 20\%$ ) will be needed and temperature drift will be increased to reflect the mismatch between the temperature coefficients of the internal and external resistors.

# AD667

Small resistors may be added to the feedback resistors in order to accomplish small modifications in the scaling. For example, if a 10.24 V full scale is desired, a 140 Ω 1% low TC metal-film resistor can be added in series with the internal (nominal) 5k feedback resistor, and the gain trim potentiometer (between Pins 6 and 7) should be increased to 200 Ω. In the bipolar mode, increase the value of the bipolar offset trim potentiometer also to 200 Ω.

## GROUNDING RULES

The AD667 brings out separate analog and power grounds to allow optimum connections for low noise and high speed performance. These grounds should be tied together at one point, usually the device power ground. The separate ground returns are provided to minimize current flow in low level signal paths.

The analog ground at Pin 5 is the ground point for the output amplifier and is thus the “high quality” ground for the AD667; it should be connected directly to the analog reference point of the system. The power ground at Pin 16 can be connected to the most convenient ground point; analog power return is preferred. If power ground contains high frequency noise beyond 200 mV, this noise may feed through the converter, thus some caution will be required in applying these grounds.

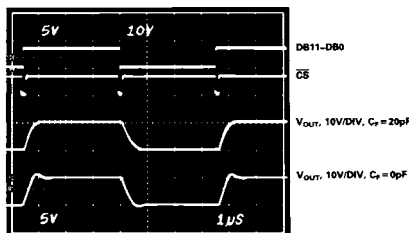
It is also important to apply decoupling capacitors properly on the power supplies for the AD667 and the output amplifier. The correct method for decoupling is to connect a capacitor from each power supply pin of the AD667 to the analog ground pin of the AD667. Any load driven by the output amplifier should also be referred to the analog ground pin.

## OPTIMIZING SETTling TIME

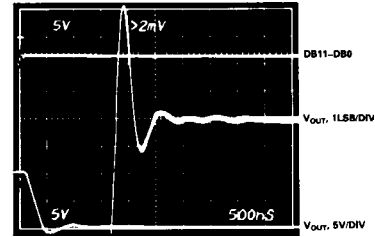
The dynamic performance of the AD667's output amplifier can be optimized by adding a small (20 pF) capacitor across the feedback resistor. Figure 4 shows the improvement in both large-signal and small-signal settling for the 10 V range. In Figure 4a, the top trace shows the data inputs (DB11–DB0 tied together), the second trace shows the CS pulse (A3–A0 tied low), and the lower two traces show the analog outputs for  $C_F = 0$  pF and 20 pF respectively.

Figures 4b and 4c show the settling time for the transition from all bits on to all bits off. Note that the settling time to  $\pm 1/2$  LSB for the 10 V step is improved from 2.4 microseconds to 1.6 microseconds by the addition of the 20 pF capacitor.

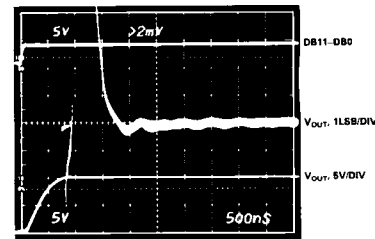
Figures 4d and 4e show the settling time for the transition from all bits off to all bits on. The improvement in settling time gained by adding  $C_C = 20$  pF is similar.



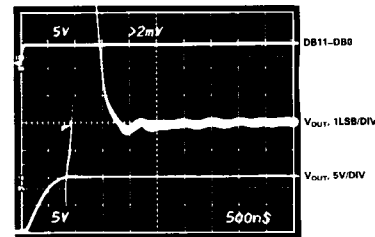
a. Large Scale Settling



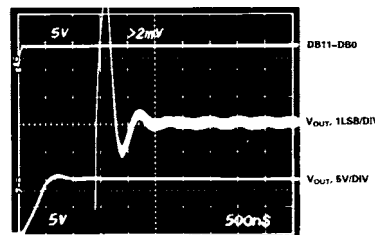
b. Fine-Scale Settling,  $C_F = 0$  pF



c. Fine-Scale Settling,  $C_F = 20$  pF



d. Fine-Scale Settling,  $C_F = 0$  pF



e. Fine-Scale Settling,  $C_F = 20$  pF

Figure 4. Settling Time Performance

## DIGITAL CIRCUIT DETAILS

The bus interface logic of the AD667 consists of four independently addressable registers in two ranks. The first rank consists of three four-bit registers which can be loaded directly from a 4-, 8-, 12-, or 16-bit microprocessor bus. Once the complete 12-bit data word has been assembled in the first rank, it can be loaded into the 12-bit register of the second rank. This double-buffered organization avoids the generation of spurious analog output values. Figure 5 shows the block diagram of the AD667 logic section.

The latches are controlled by the address inputs, A0–A3, and the CS input. All control inputs are active low, consistent with general practice in microprocessor systems. The four address lines each enable one of the four latches, as indicated in Table II.

All latches in the AD667 are level-triggered. This means that data present during the time when the control signals are valid will enter the latch. When any one of the control signals returns high, the data is latched.

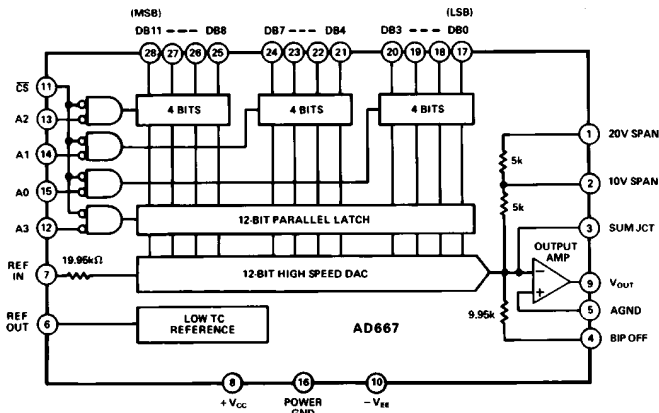


Figure 5. AD667 Block Diagram

It is permissible to enable more than one of the latches simultaneously. If a first rank latch is enabled coincident with the second rank latch, the data will reach the second rank correctly if the "WRITE CYCLE #1" timing specifications are met.

Table II. AD667 Truth Table

CS	A3	A2	A1	A0	Operation
1	X	X	X	X	No Operation
X	1	1	1	1	No Operation
0	1	1	1	0	Enable 4 LSBs of First Rank
0	1	1	0	1	Enable 4 Middle Bits of First Rank
0	1	0	1	1	Enable 4 MSBs of First Rank
0	0	1	1	1	Loads Second Rank from First Rank
0	0	0	0	0	All Latches Transparent

"X" = Don't Care.

### INPUT CODING

The AD667 uses positive-true binary input coding. Logic "1" is represented by an input voltage greater than 2.0 V and Logic "0" is defined as an input voltage less than 0.8 V.

Unipolar coding is straight binary, where all zeroes (000<sub>H</sub>) on the data inputs yields a zero analog output and all ones (FFF<sub>H</sub>) yields an analog output 1 LSB below full scale.

Bipolar coding is offset binary, where an input code of 000<sub>H</sub> yields a minus full-scale output, an input of FFF<sub>H</sub> yields an output 1 LSB below positive full scale, and zero occurs for an input code with only the MSB on (800<sub>H</sub>).

The AD667 can be used with twos complement input coding if an inverter is used on the MSB (DB11).

### DIGITAL INPUT CONSIDERATIONS

The threshold of the digital input circuitry is set at 1.4 volts and does not vary with supply voltage. The input lines can thus interface with any type of 5 volt logic. The configuration of the input circuit is shown in Figure 6.

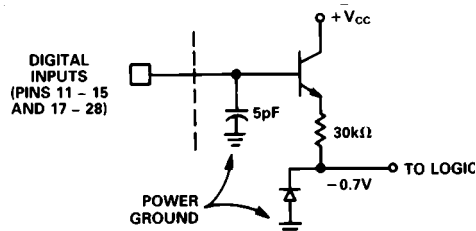


Figure 6. Equivalent Digital Input Circuit

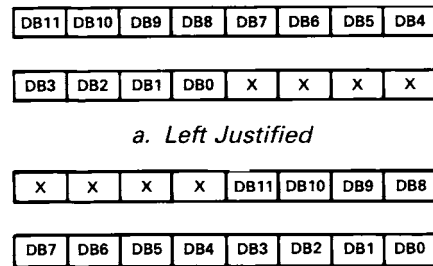
The AD667 data and control inputs will float to a Logic 0 if left open. It is recommended that any unused inputs be connected to power ground to improve noise immunity.

Fanout for the AD667 is 100 when used with a standard low power Schottky gate output device.

### 8-BIT MICROPROCESSOR INTERFACE

The AD667 interfaces easily to 8-bit microprocessor systems of all types. The control logic makes possible the use of right- or left-justified data formats.

Whenever a 12-bit DAC is loaded from an 8-bit bus, two bytes are required. If the program considers the data to be a 12-bit binary fraction (between 0 and 4095/4096), the data is left-justified, with the eight most significant bits in one byte and the remaining bits in the upper half of another byte. Right-justified data calls for the eight least significant bits to occupy one byte, with the 4 most significant bits residing in the lower half of another byte, simplifying integer arithmetic.



b. Right Justified

Figure 7. 12-Bit Data Formats for 8-Bit Systems

Figure 8 shows an addressing scheme for use with an AD667 set up for left-justified data in an 8-bit system. The base address is decoded from the high-order address bits and the resultant active-low signal is applied to  $\overline{CS}$ . The two LSBs of the address bus are connected as shown to the AD667 address inputs. The latches now reside in two consecutive locations, with location X01 loading the four LSBs and location X10 loading the eight MSBs and updating the output.



Figure 8. Left-Justified 8-Bit Bus Interface

# AD667

Right-justified data can be similarly accommodated. The overlapping of data lines is reversed, and the address connections are slightly different. The AD667 still occupies two adjacent locations in the processor's memory map. In the circuit of Figure 9, location X01 loads the 8 LSBs and location X10 loads the 4 MSBs and updates the output.

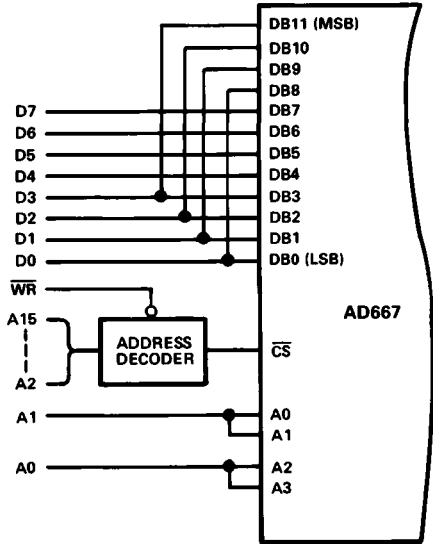


Figure 9. Right-Justified 8-Bit Bus Interface

## USING THE AD667 WITH 12- AND 16-BIT BUSES

The AD667 is easily interfaced to 12- and 16-bit data buses. In this operation, all four address lines (A0 through A3) are tied

low, and the latch is enabled by  $\overline{CS}$  going low. The AD667 thus occupies a single memory location.

This configuration uses the first and second rank registers simultaneously. The  $\overline{CS}$  input can be driven from an active-low decoded address. It should be noted that any data bus activity during the period when  $\overline{CS}$  is low will cause activity at the AD667 output. If data is not guaranteed stable during this period, the second rank register can be used to provide double buffering.

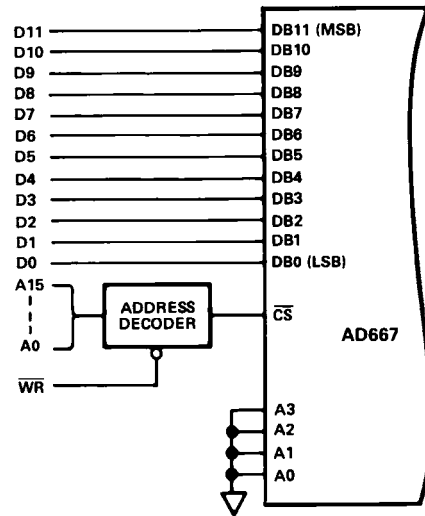
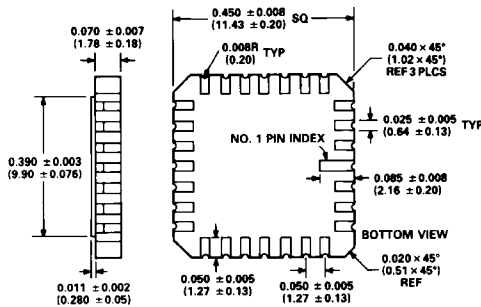


Figure 10. Connections for 12- and 16-Bit Bus Interface

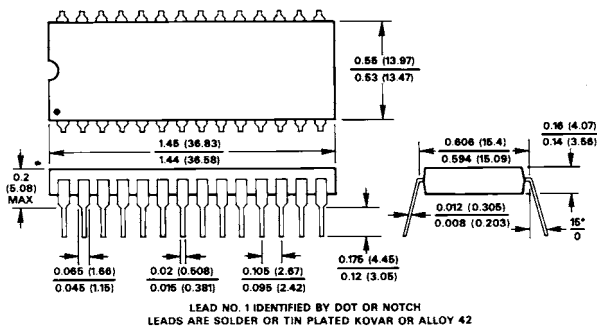
## OUTLINE DIMENSIONS

Dimensions shown in inches and (mm).

### 28-Contact LCC (E)

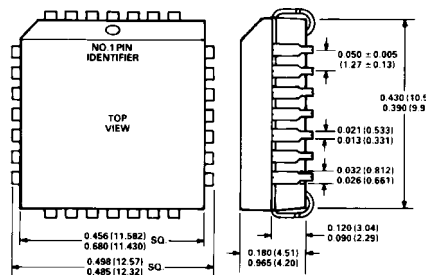


### 28-Pin Plastic DIP (N)

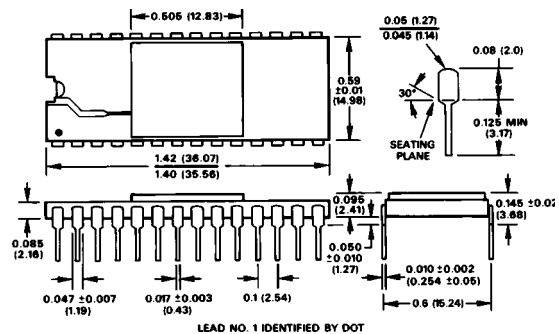


LEAD NO. 1 IDENTIFIED BY DOT OR NOTCH  
LEADS ARE SOLDER OR TIN PLATED KOVAR OR ALLOY 42

### 28-Terminal Plastic Leaded Chip Carrier (P)



### 28-Pin Ceramic DIP (D)



LEAD NO. 1 IDENTIFIED BY DOT





Компания «ЭлектроПласт» предлагает заключение долгосрочных отношений при поставках импортных электронных компонентов на взаимовыгодных условиях!

Наши преимущества:

- Оперативные поставки широкого спектра электронных компонентов отечественного и импортного производства напрямую от производителей и с крупнейших мировых складов;
- Поставка более 17-ти миллионов наименований электронных компонентов;
- Поставка сложных, дефицитных, либо снятых с производства позиций;
- Оперативные сроки поставки под заказ (от 5 рабочих дней);
- Экспресс доставка в любую точку России;
- Техническая поддержка проекта, помощь в подборе аналогов, поставка прототипов;
- Система менеджмента качества сертифицирована по Международному стандарту ISO 9001;
- Лицензия ФСБ на осуществление работ с использованием сведений, составляющих государственную тайну;
- Поставка специализированных компонентов (Xilinx, Altera, Analog Devices, Intersil, Interpoint, Microsemi, Aeroflex, Peregrine, Syfer, Eurofarad, Texas Instrument, Miteq, Cobham, E2V, MA-COM, Hittite, Mini-Circuits, General Dynamics и др.);

Помимо этого, одним из направлений компании «ЭлектроПласт» является направление «Источники питания». Мы предлагаем Вам помощь Конструкторского отдела:

- Подбор оптимального решения, техническое обоснование при выборе компонента;
- Подбор аналогов;
- Консультации по применению компонента;
- Поставка образцов и прототипов;
- Техническая поддержка проекта;
- Защита от снятия компонента с производства.



#### Как с нами связаться

**Телефон:** 8 (812) 309 58 32 (многоканальный)

**Факс:** 8 (812) 320-02-42

**Электронная почта:** [org@eplast1.ru](mailto:org@eplast1.ru)

**Адрес:** 198099, г. Санкт-Петербург, ул. Калинина, дом 2, корпус 4, литера А.