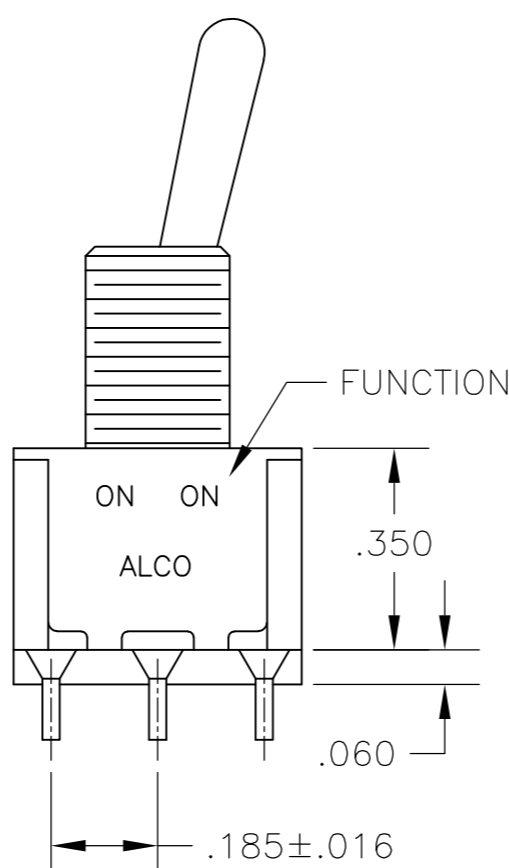
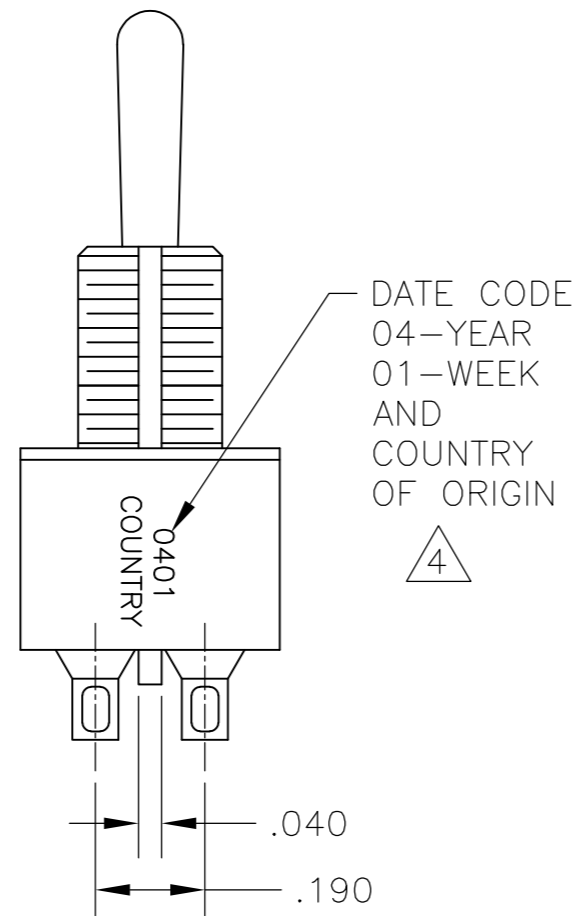
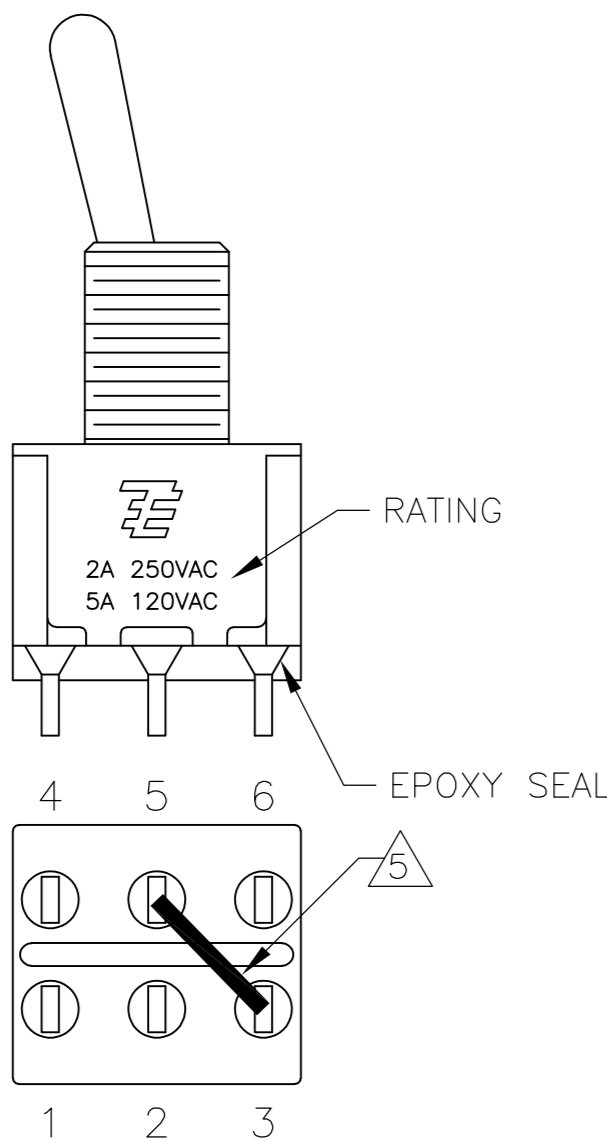
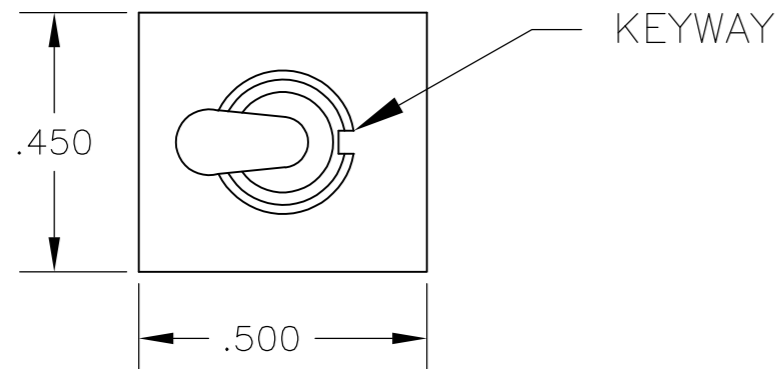


THIS DRAWING IS UNPUBLISHED. RELEASED FOR PUBLICATION
 © COPYRIGHT - By - ALL RIGHTS RESERVED.

REVISIONS					
P	LTR	DESCRIPTION	DATE	DWN	APVD
A5		REVISED PER ECO-17-001328	02FEB2017	RK	SS



- ALL MATERIALS AND FINISHES SHALL COMPLY WITH EU DIRECTIVE 2002/95/EC OF 27JAN2003 (ROHS).
 - EACH SWITCH WITH THREADED BUSHINGS SUPPLIED WITH THE FOLLWING MOUNTING HARDWARE:
 (2) HEX NUTS
 (1) INTERNAL TOOTH LOCKWASHER
 (1) LOCATING RING.
 - G CONTACT OPTION CAN BE USED FOR SIGNAL OR POWER LEVEL SWITCHING. IF SWITCH IS USED AT LEVELS EXCEEDING .4VA @ 20V AC/DC, SWITCH IS RENDERED FOR POWER SWITCHING ONLY DUE TO ARC REMOVAL OF GOLD PLATING. RATING MARKED ON FRAME IS 2A 250VAC, 5A 120VAC.
- △4 DATE CODE AND COUNTRY OF ORIGIN MAY APPEAR ON EITHER SIDE OF SWITCH.
 △5 SP3T FUNCTION ACHIEVED WITH FUNCTIONS 11, 13 & 15 BY CUSTOMER APPLIED JUMPER BETWEEN TERMINALS 3 AND 5.
 △6 LENGTH OF TOGGLE REDUCED BY .020 WITH A, AV2, V30 OR V40 VERTICAL SUPPORT BRACKET.
 7 ALL LOGO, RATING, DATE CODE, AND FUNCTION MARKINGS TO BE LASER MARKED.

SPECIFICATIONS CHART	
RATING, B CONTACTS	.4VA MAX @20V MAX. AC OR DC
RATING, G CONTACTS—SEE NOTE 3	.4VA MAX @20V MAX. AC OR DC OR 5A @120 VAC OR 28 VDC (RESISTIVE)
	2A @250 VAC (RESISTIVE)
RATING, Q CONTACTS	5A @120 VAC OR 28 VDC (RESISTIVE)
	2A @250 VAC (RESISTIVE)
ELECTRICAL LIFE	6,000 CYCLES AT RATED LOAD
CONTACT RESISTANCE	10 MILLIOHMS MAX INITIAL @ 2-4VDC, 100ma
INSULATION RESISTANCE	1,000 MEGOHMS MIN
DIELECTRIC WITHSTANDING VOLTAGE	1,000 V RMS AT SEA LEVEL
OPERATING TEMPRATURE	-30C TO 85C

FUNCTION CHART			
FUNCTION	1 2 3 4 5 6	1 2 3 4 5 6	1 2 3 4 5 6
03	ON	OFF	ON
05	(ON)	OFF	(ON)
07	ON	OFF	(ON)
TERMINALS CONNECTED	2-3, 5-6	---	1-2, 4-5
11	ON	ON	ON
13	ON	ON	(ON)
15	(ON)	ON	(ON)
TERMINALS CONNECTED	2-3, 5-6	2-3, 4-5	1-2, 4-5
SP3T SCHEMATIC (11, 13 & 15 ONLY) SEE NOTE 5	6 • 3 5 • 2 4 • 1	6 • 3 5 • 2 4 • 1	6 • 3 5 • 2 4 • 1
	IN 2, OUT 6	IN 2, OUT 4	IN 2, OUT 1
None: No mechanical position Off: Mechanical position with no electrical connection (On): Momentary action			

PART NUMBER SEQUENCE CHART						
MODEL	FUNCTION	TOGGLE	BUSHING	TERMINAL	CONTACT	RoHS
A2	03	K	CW	A	B	04
	05	K1	D	AV2	G	
	07	L	D9	C	Q	
	11	L1	H	V30		
	13	L2	Y	V40		
	15	M	Y9	V70		
		P3		W		
		S		W4		
		T		Z		
		T1		Z3		

EXAMPLE: A207SYZQ04

THIS DRAWING IS A CONTROLLED DOCUMENT. DWN M. ZITTO 18MAY05
 CHK M. ZITTO
 APVD M. ZITTO
 PRODUCT SPEC

DIMENSIONS: INCHES TOLERANCES UNLESS OTHERWISE SPECIFIED:
 0 PLC ± -
 1 PLC ± -
 2 PLC ± -
 3 PLC ± .010
 4 PLC ± -
 ANGLES ± 2°

MATERIAL FINISH

WEIGHT 0

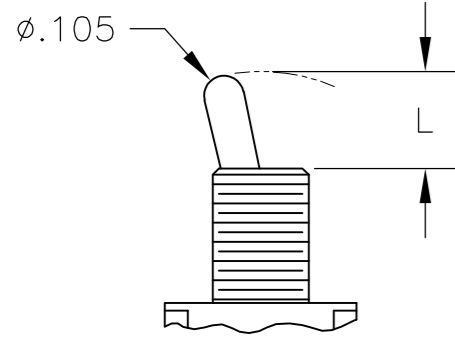
CUSTOMER DRAWING

TE Connectivity
 GEMINI A SERIES TOGGLE SWITCH, DOUBLE POLE, 3 POSITION FUNCTIONS (03, 05, 07, 11, 13 & 15)

SIZE A2 CAGE CODE 00779 DRAWING NO. 1825139 RESTRICTED TO -
 SCALE 3:1 SHEET 1 of 4 REV A5

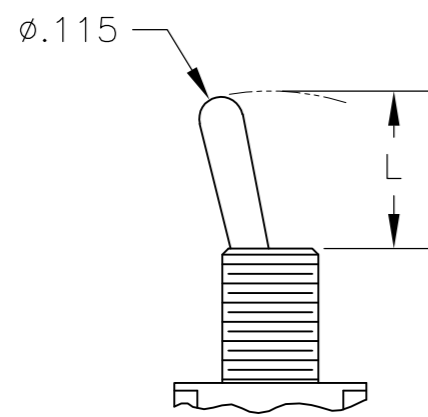
THIS DRAWING IS UNPUBLISHED. RELEASED FOR PUBLICATION. © COPYRIGHT - By - ALL RIGHTS RESERVED.

TOGGLES



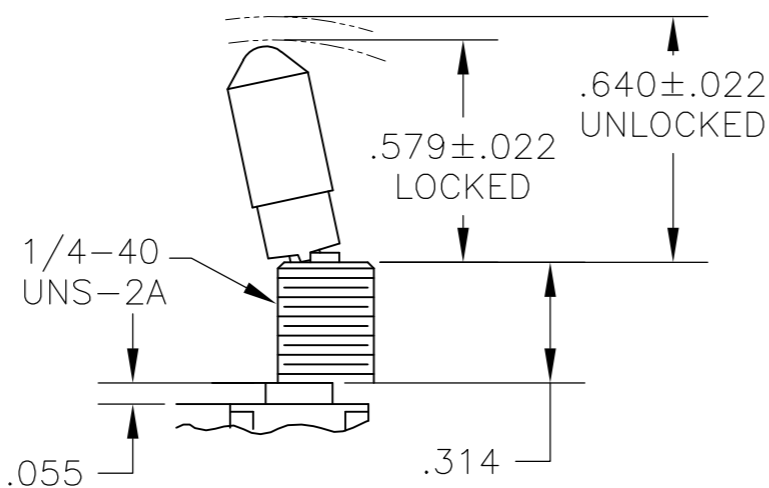
M SHORT

DIM L	BUSHING TYPE
.200	Y, H
.270	D, D9

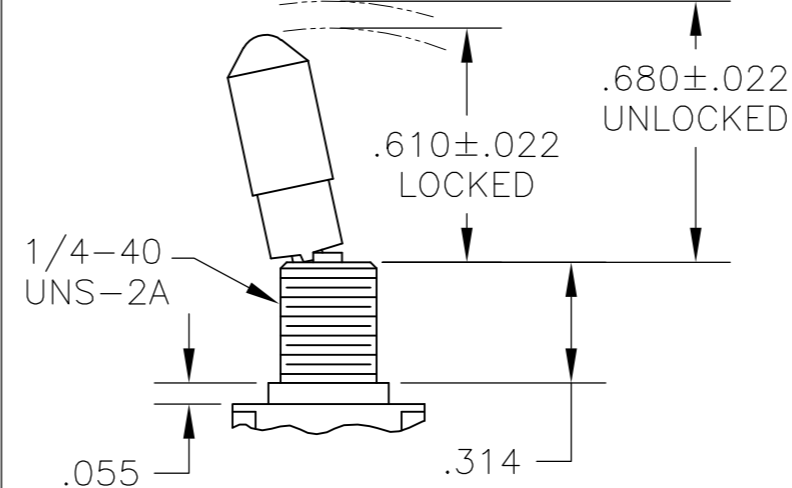


S STANDARD

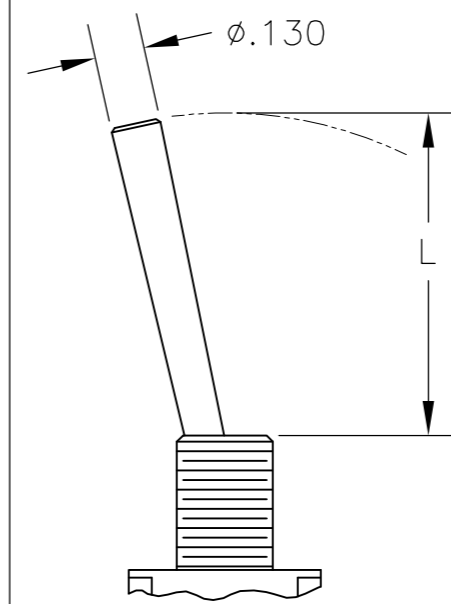
DIM L	BUSHING TYPE
.410	Y, H
.480	D, D9



K NO BUSHING OPTION NEEDED

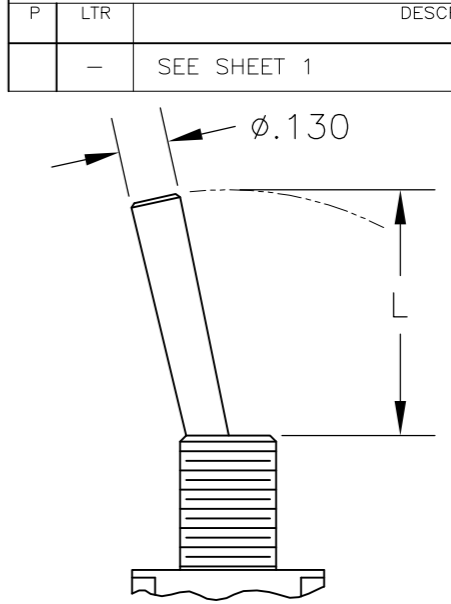


K1 NO BUSHING OPTION NEEDED



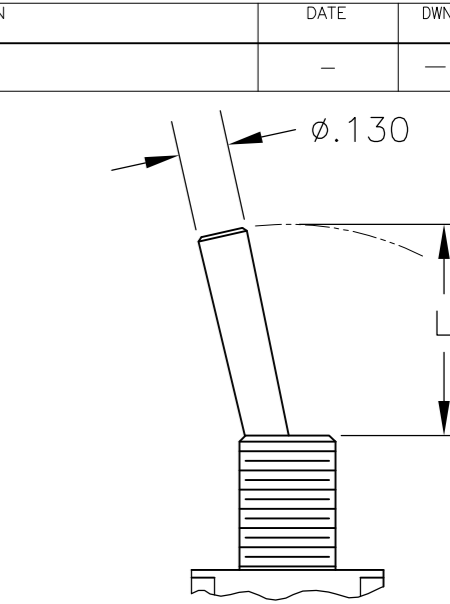
L LEVER

DIM L	BUSHING TYPE
.840	Y, H
.910	D, D9



L1 LEVER

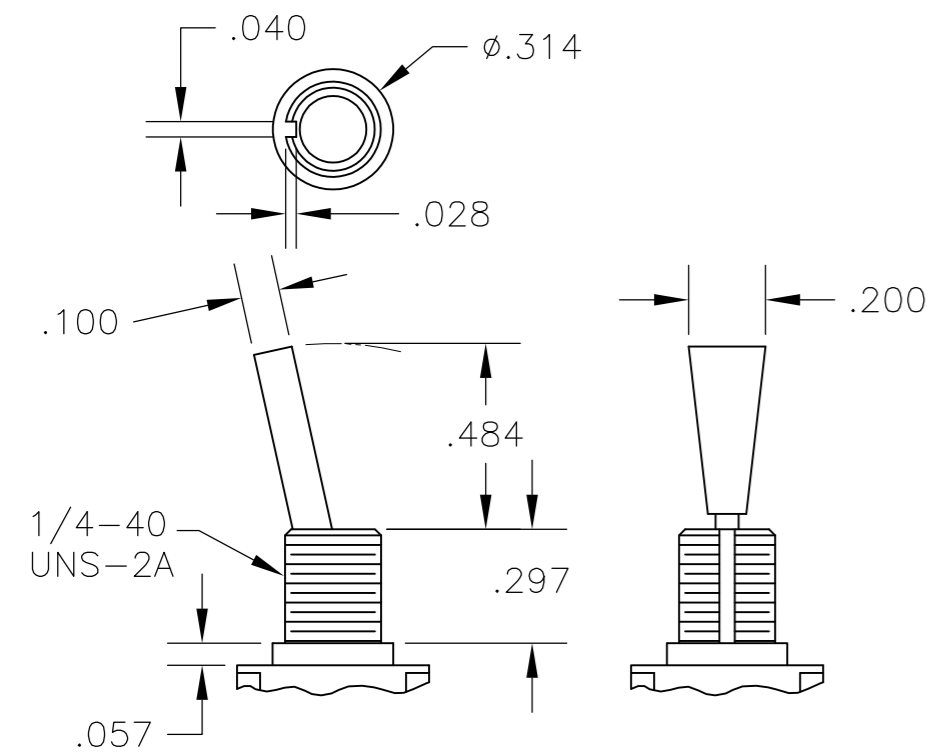
DIM L	BUSHING TYPE
.640	Y, H
.710	D, D9



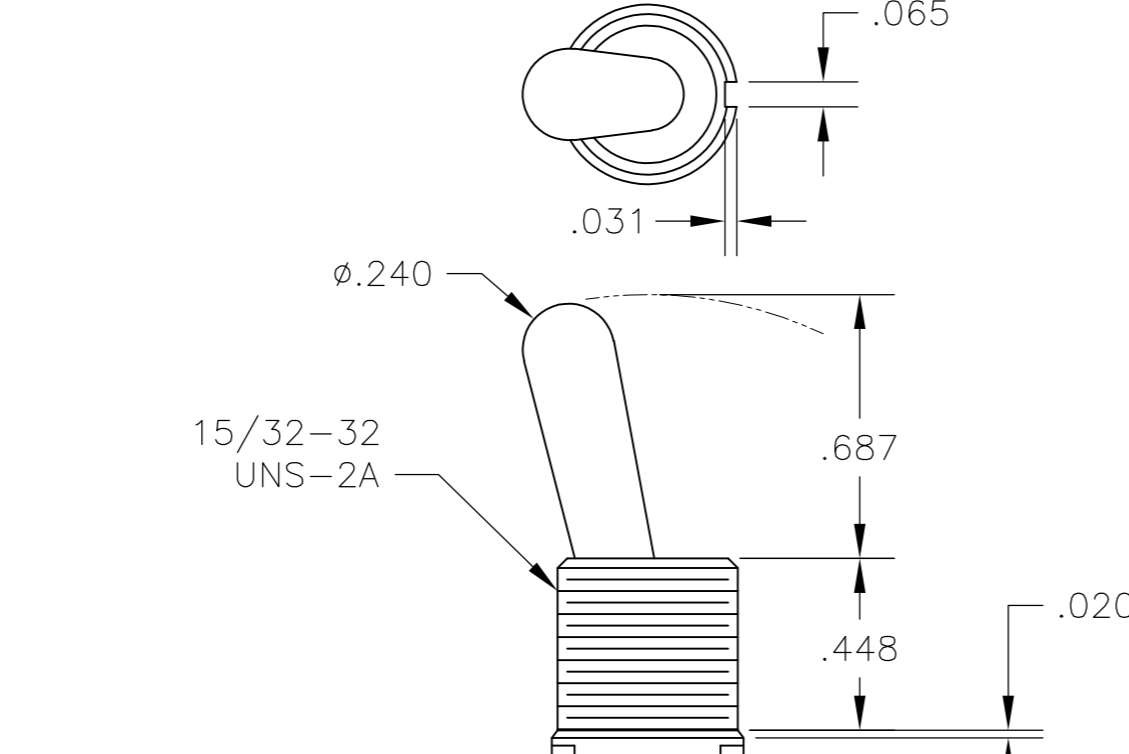
L2 LEVER

DIM L	BUSHING TYPE
.550	Y, H
.620	D, D9

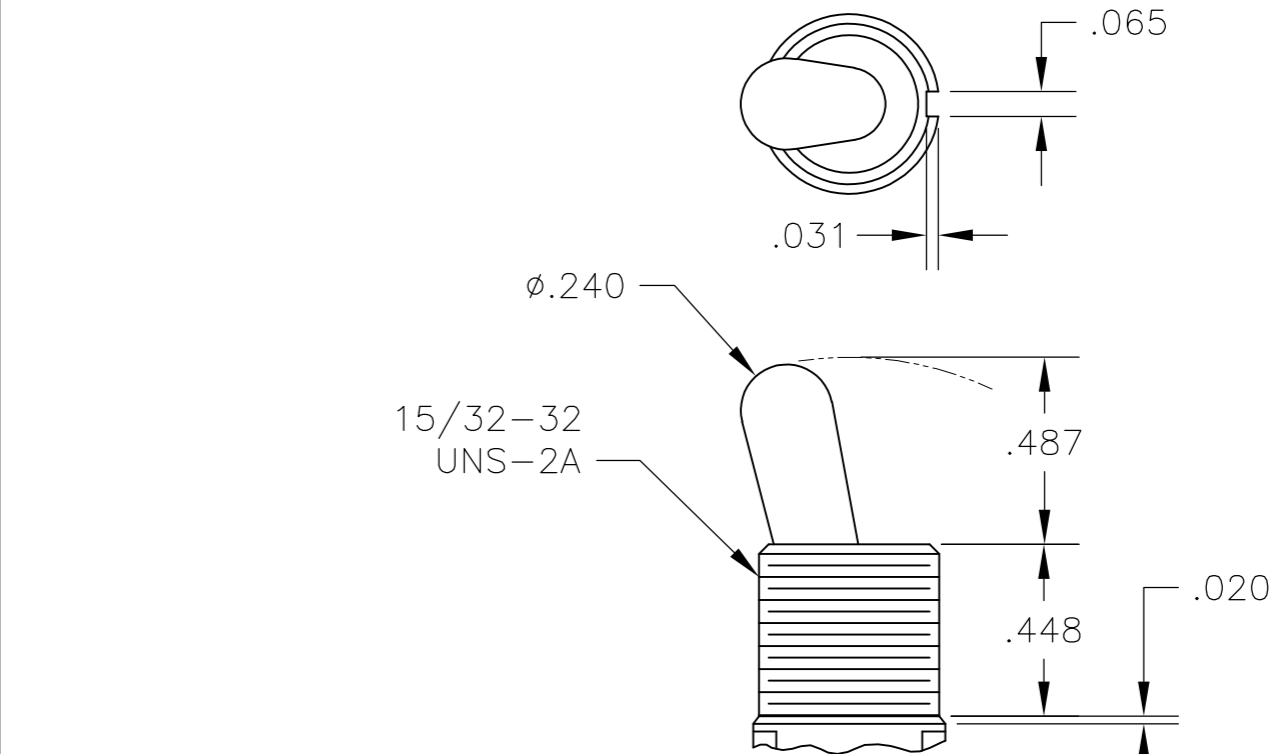
REVISIONS				
P	LTR	DESCRIPTION	DATE	APVD
-	-	SEE SHEET 1	-	-



P3 NO BUSHING OPTION NEEDED

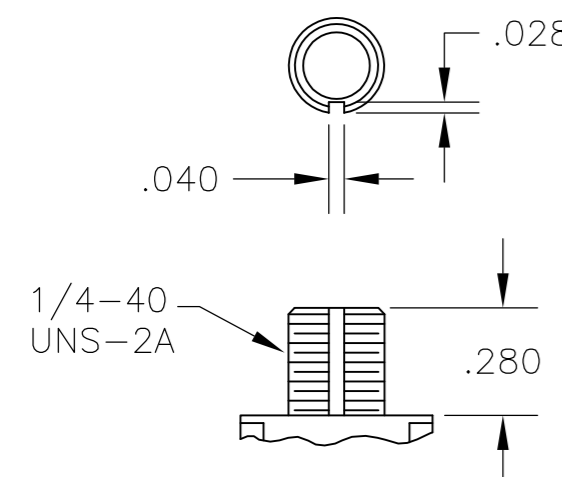


T NO BUSHING OPTION NEEDED

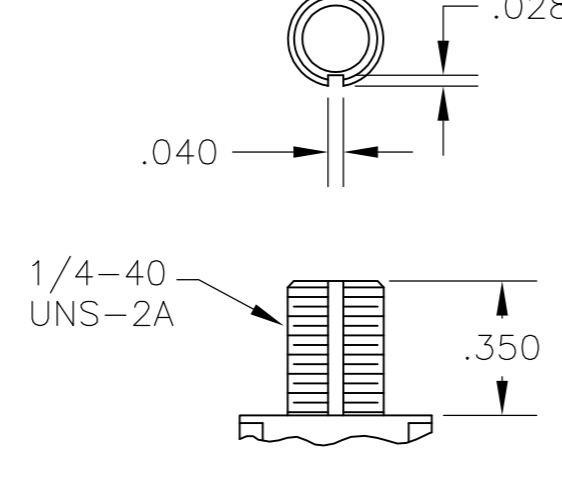


T1 NO BUSHING OPTION NEEDED

BUSHINGS

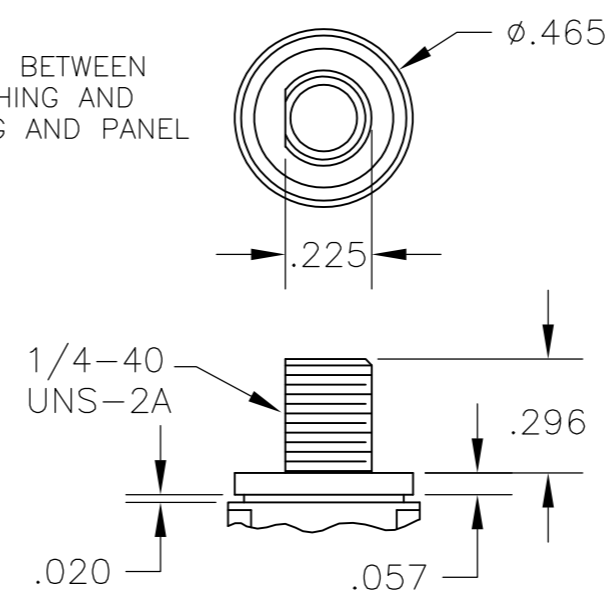


D THREADED
D9 UNTHREADED

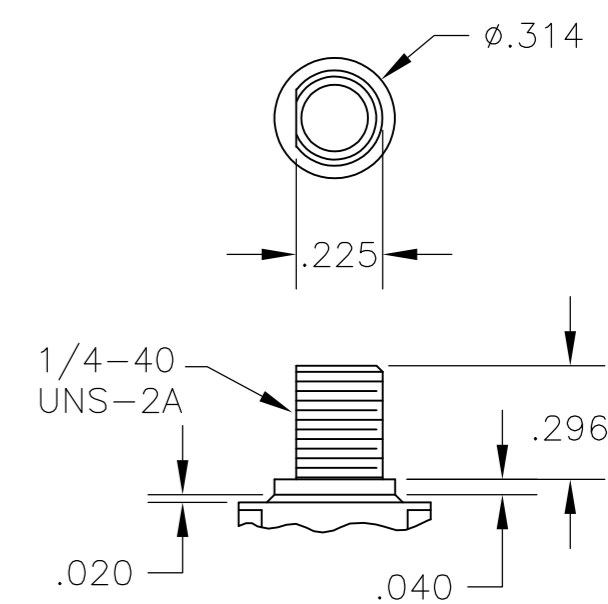


Y THREADED
Y9 UNTHREADED

CONTAINS O-RING BETWEEN TOGGLE AND BUSHING AND BETWEEN BUSHING AND PANEL



CW THREADED SPLASHPROOF



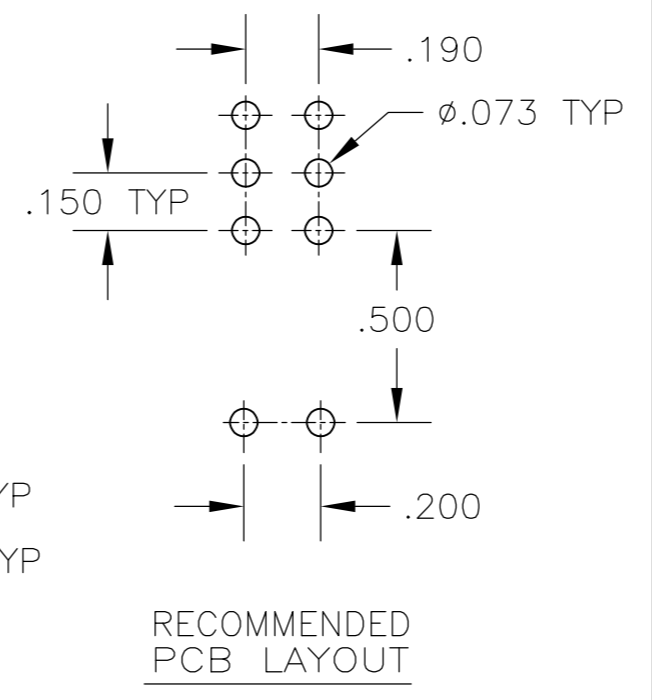
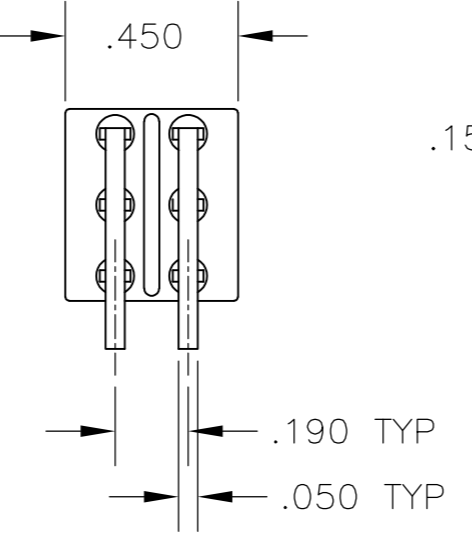
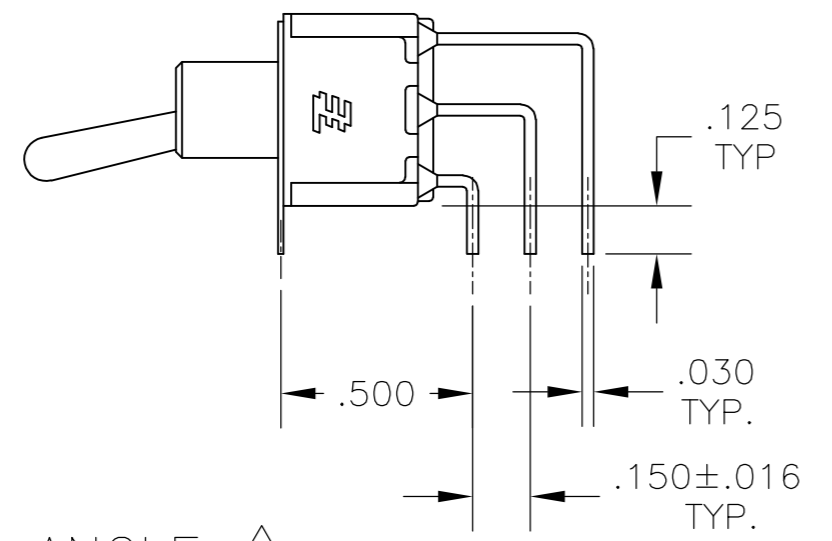
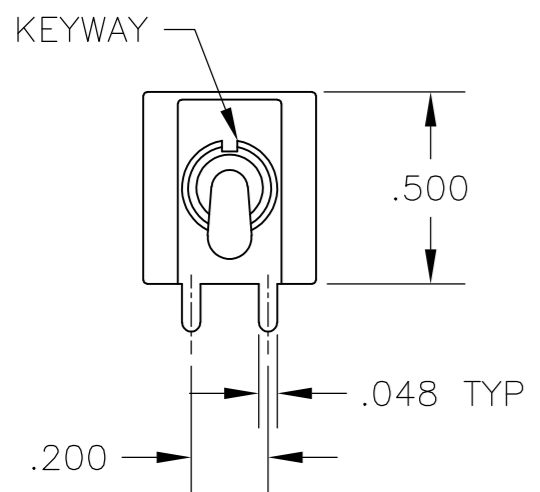
H HIGH TORQUE

THIS DRAWING IS A CONTROLLED DOCUMENT.

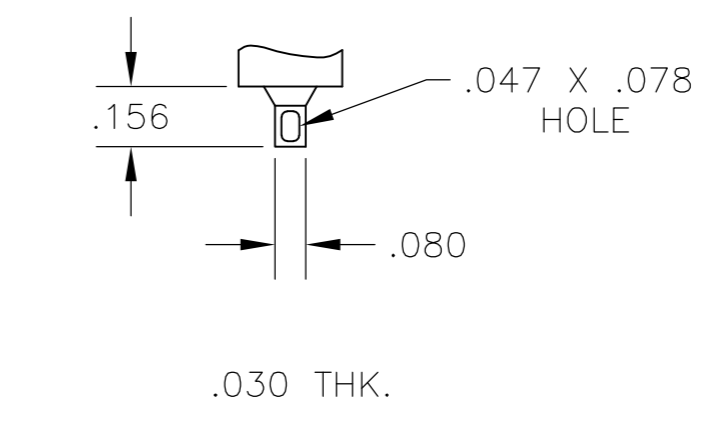
DIMENSIONS: INCHES	TOLERANCES UNLESS OTHERWISE SPECIFIED:	DWN: M. ZITTO	14APR05		TE Connectivity
	0 PLC ± -	CHK: M. ZITTO	-		NAME: GEMINI A SERIES TOGGLE SWITCH, DOUBLE POLE, 3 POSITION FUNCTIONS (03, 05, 07, 11, 13 & 15)
	1 PLC ± -	APVD: M. ZITTO	-		SIZE: A2
	2 PLC ± -	PRODUCT SPEC	-		CAGE CODE: 00779
	3 PLC ± .010	APPLICATION SPEC	-	DRAWING NO: C=1825139	
4 PLC ± -	ANGLES ± 2°	WEIGHT: -	-	RESTRICTED TO: -	
MATERIAL: -	FINISH: -	CUSTOMER DRAWING	SCALE: 2:1	SHEET: 2 of 4	REV: A5

THIS DRAWING IS UNPUBLISHED. RELEASED FOR PUBLICATION
 © COPYRIGHT - By - ALL RIGHTS RESERVED.

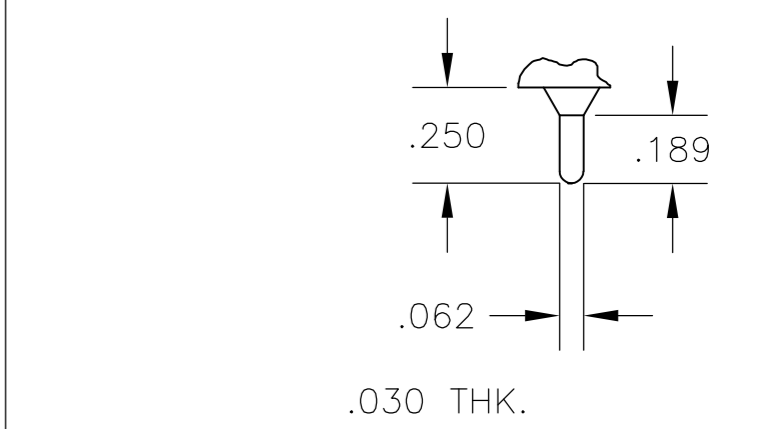
REVISIONS					
P	LTR	DESCRIPTION	DATE	DWN	APVD
-	-	SEE SHEET 1	-	-	-



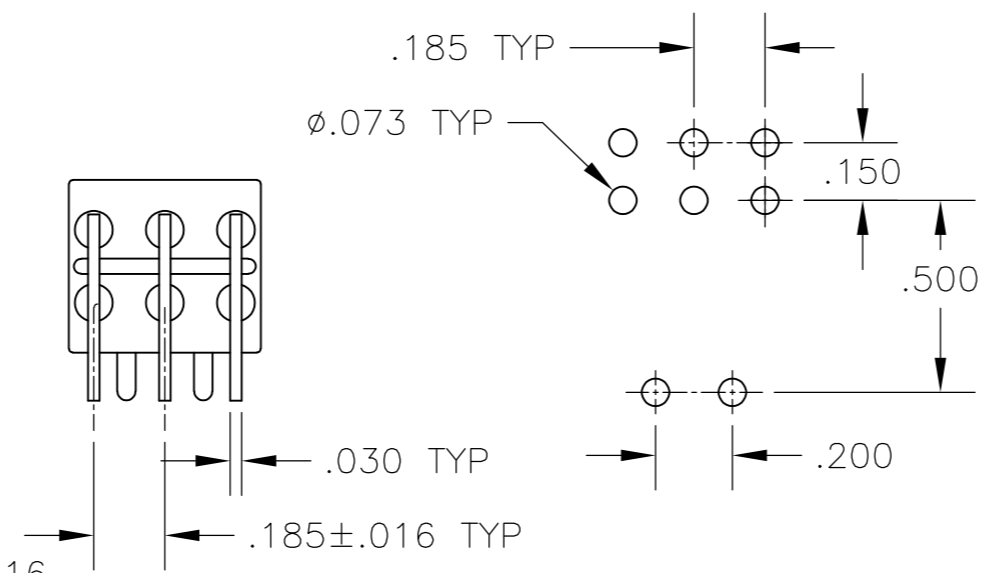
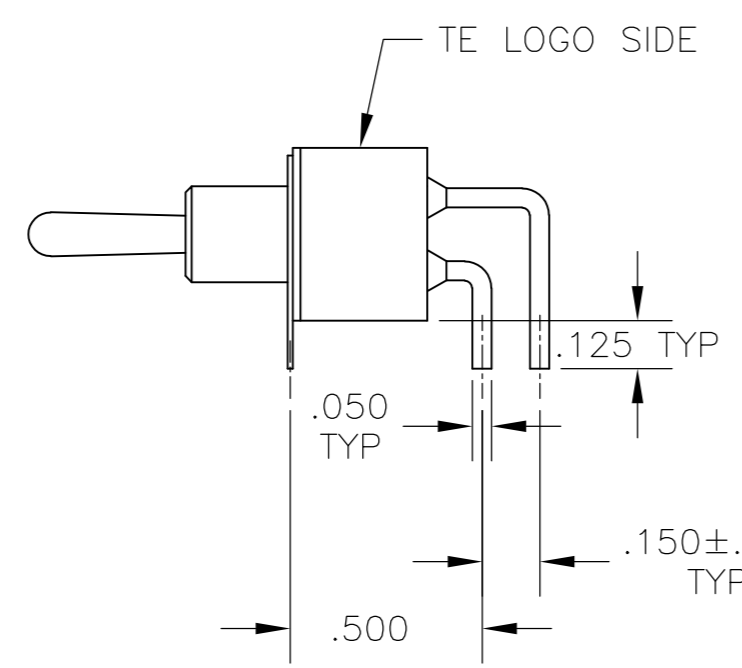
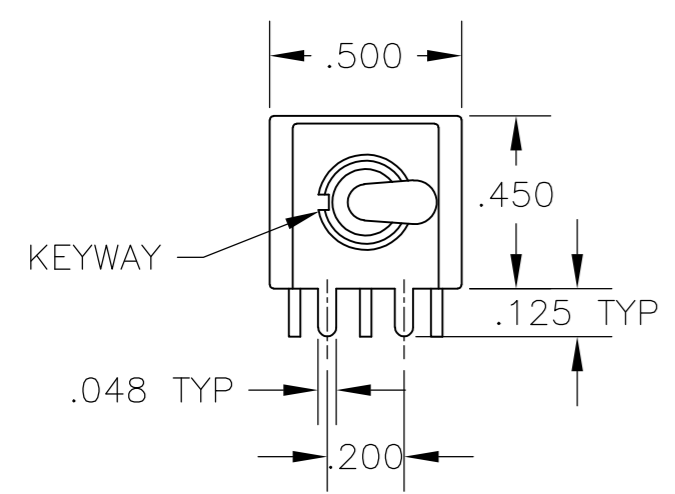
AV2 VERTICAL RIGHT ANGLE $\triangle 6$



Z WIRE LUG

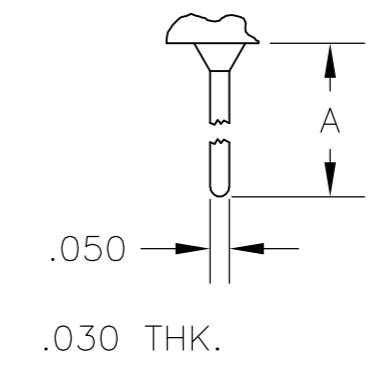


Z3 QUICK CONNECT

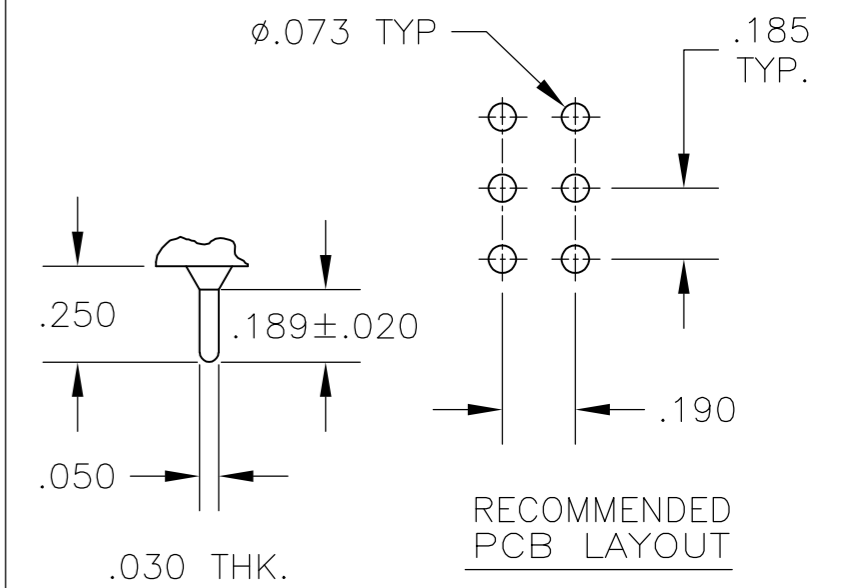


A RIGHT ANGLE $\triangle 6$

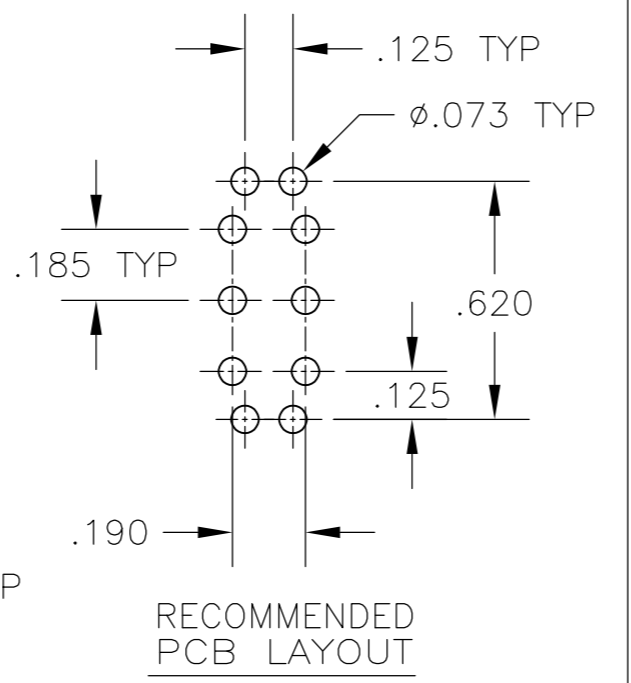
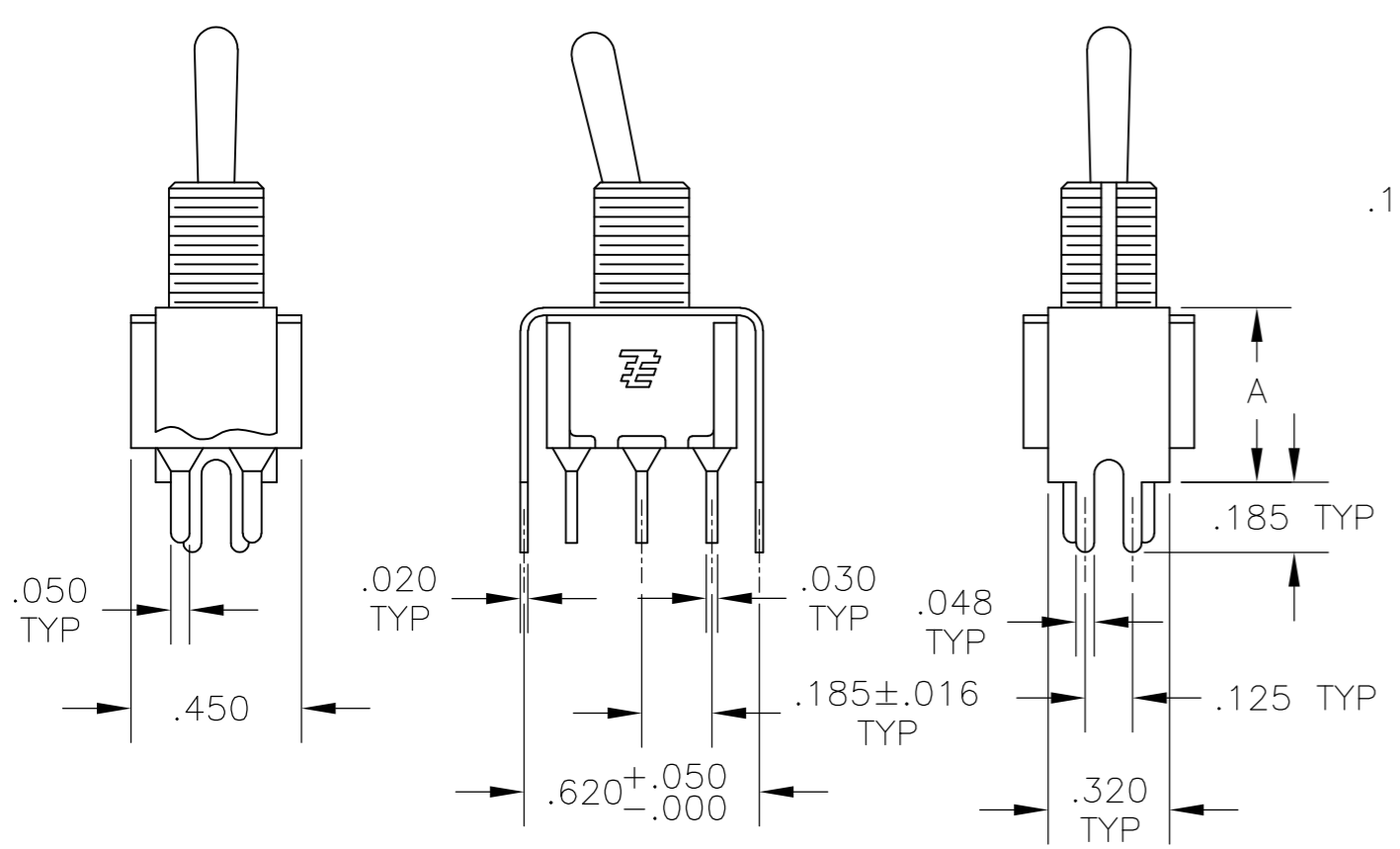
OPTION	DIM A
W	.736
W4	1.062



W W4 WIRE WRAP

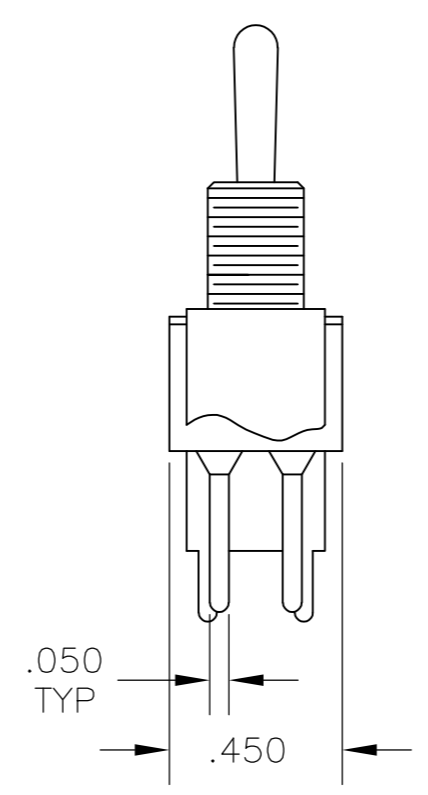


C PRINTED CIRCUIT

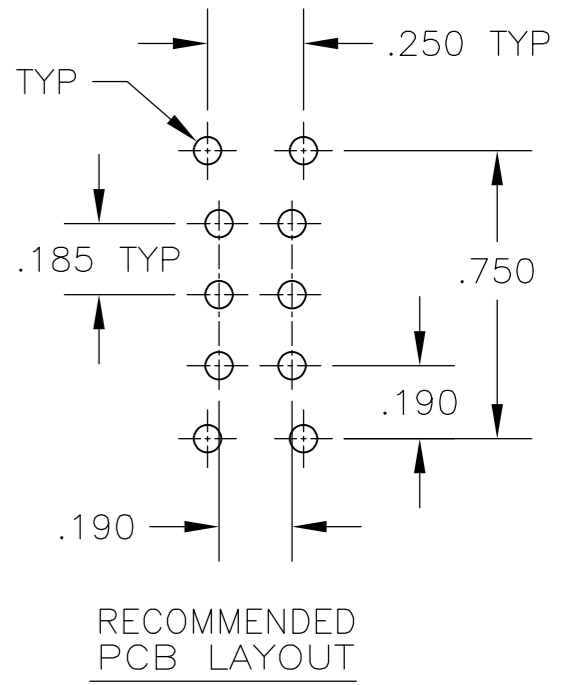
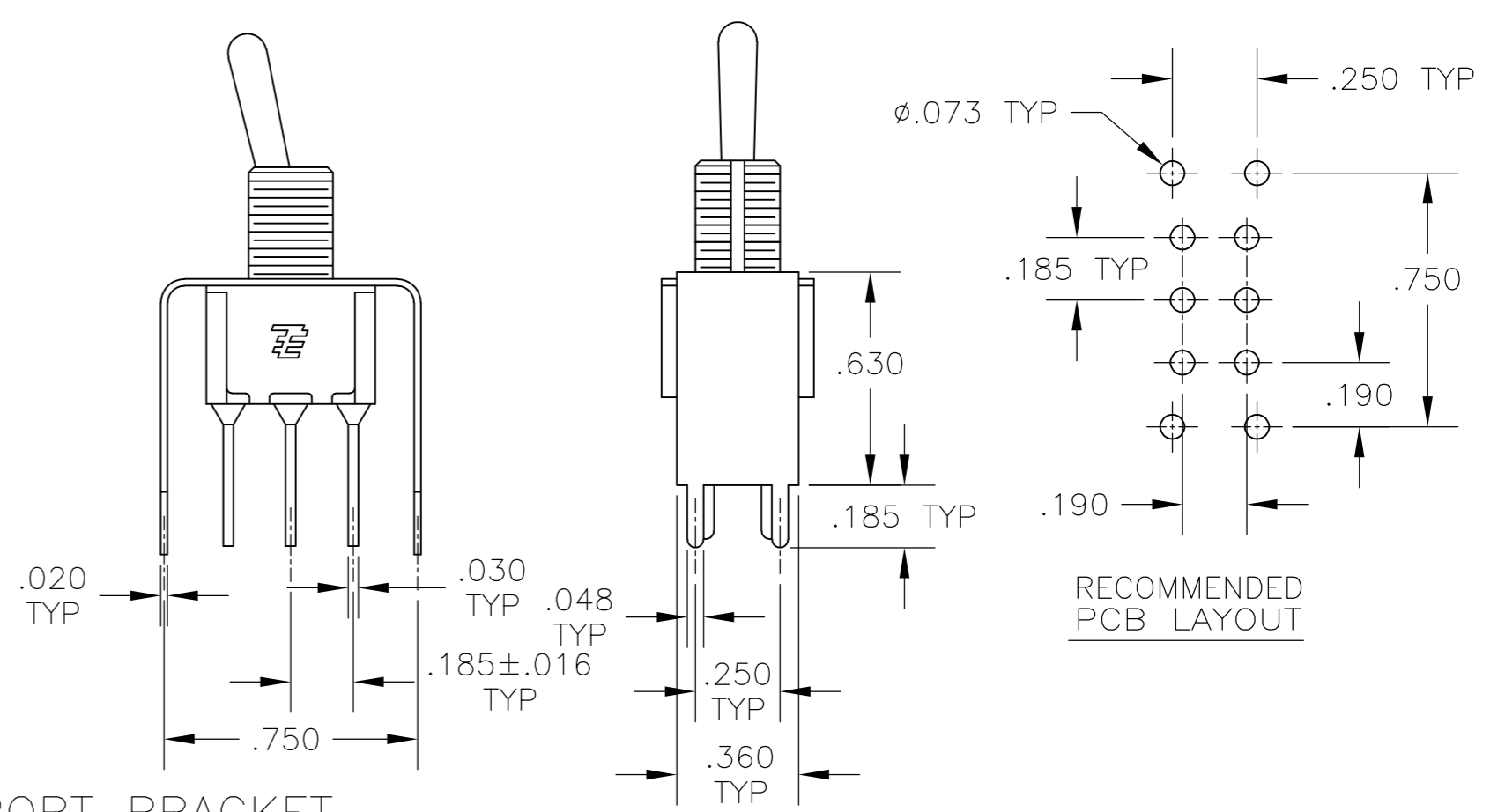


OPTION	DIM A
V30	.460
V40	.630

V30 V40 $\triangle 6$
 VERTICAL SUPPORT BRACKET



V70
 VERTICAL SUPPORT BRACKET



THIS DRAWING IS A CONTROLLED DOCUMENT. DWN M. ZITTO 14APR05
 CHK M. ZITTO
 APVD M. ZITTO
 PRODUCT SPEC
 APPLICATION SPEC
 WEIGHT -
 CUSTOMER DRAWING

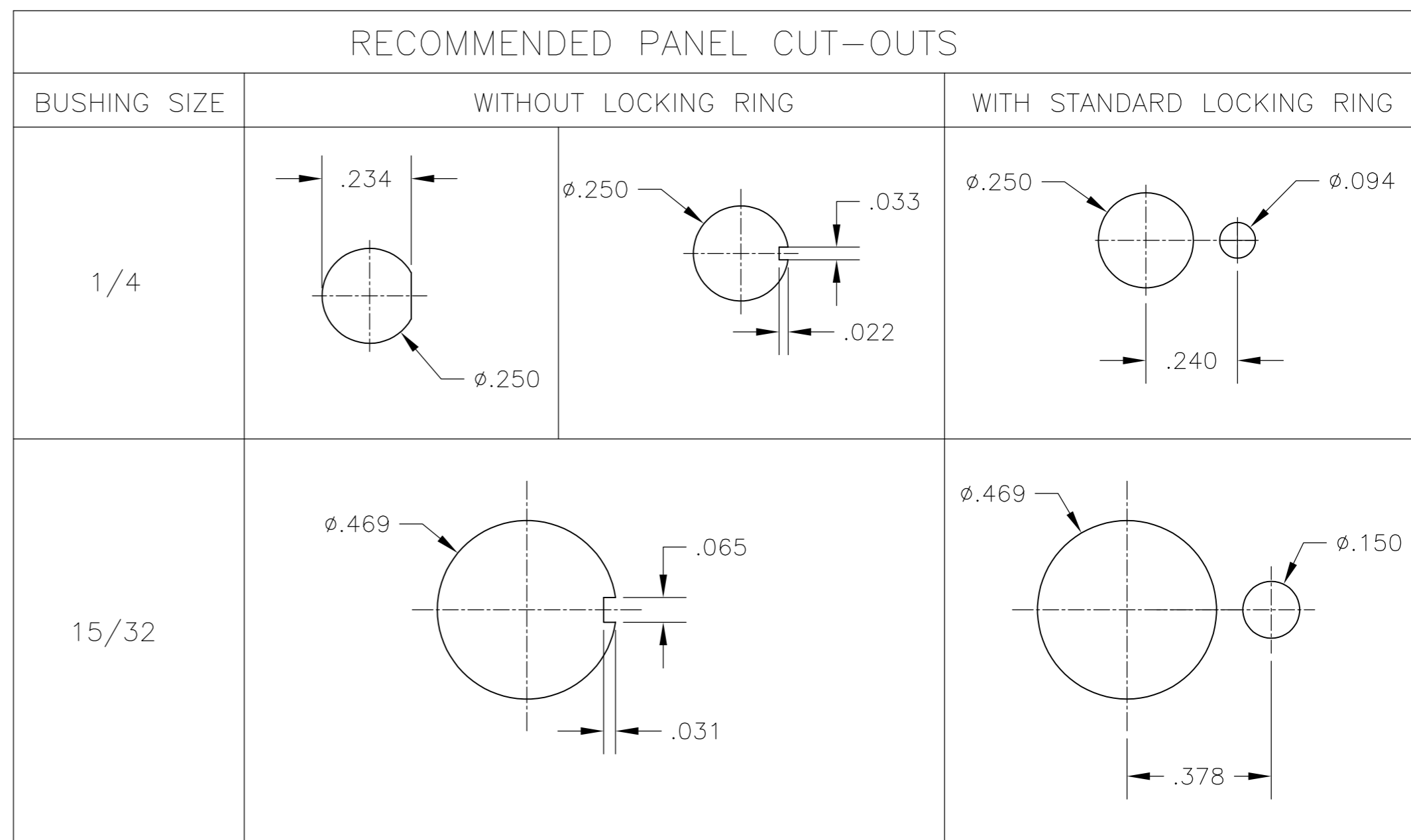
DIMENSIONS: INCHES
 TOLERANCES UNLESS OTHERWISE SPECIFIED:
 0 PLC ± -
 1 PLC ± -
 2 PLC ± -
 3 PLC ± .010
 4 PLC ± -
 ANGLES ± 2°
 MATERIAL -
 FINISH -

TE Connectivity
 NAME GEMINI A SERIES TOGGLE SWITCH, DOUBLE POLE, 3 POSITION FUNCTIONS (03, 05, 07, 11, 13 & 15)
 SIZE A2 CAGE CODE 00779 DRAWING NO. 1825139 RESTRICTED TO -
 SCALE 2:1 SHEET 3 OF 4 REV A5

THIS DRAWING IS UNPUBLISHED. RELEASED FOR PUBLICATION
 © COPYRIGHT - By - ALL RIGHTS RESERVED.

REVISIONS				
P	LTR	DESCRIPTION	DATE	APVD
-	-	SEE SHEET 1	-	-

Alco P/N	P/N
A203KZQ04	1825139-1
A203MD9AB04	1825139-2
A203P3AV2Q04	1825139-3
A203P3ZQ04	1825139-4
A203SD9AV2B04	1825139-5
A203SD9AV2Q04	1825139-6
A203SDZQ04	1825139-7
A203SYCB04	1825139-8
A203SYCQ04	1825139-9
A203SYZQ04	1-1825139-0
A203T1ZQ04	1-1825139-1
A203TZQ04	1-1825139-2
A205KZB04	1-1825139-3
A205P3ZQ04	1-1825139-4
A205SD9AB04	1-1825139-5
A205SYCB04	1-1825139-6
A205SYCQ04	1-1825139-7
A205SYZQ04	1-1825139-8
A205T1ZQ04	1-1825139-9
A205TZQ04	2-1825139-0
A207P3ZQ04	2-1825139-1
A207SYCB04	2-1825139-2
A207SYCQ04	2-1825139-3
A207SYZQ04	2-1825139-4
A207T1ZQ04	2-1825139-5
A207TZQ04	2-1825139-6
A211KZB04	2-1825139-7
A211MD9AQ04	2-1825139-8
A211MYCQ04	2-1825139-9
A211P3CQ04	3-1825139-0
A211P3V40G04	3-1825139-1
A211P3ZQ04	3-1825139-2
A211SCWCQ004	3-1825139-3
A211SDZQ04	3-1825139-4
A211SHZQ04	3-1825139-5
A211SY9AQ04	3-1825139-6
A211SYCQ04	3-1825139-7
A211SYZB04	3-1825139-8
A211SYZQ04	3-1825139-9
A211T1ZQ04	4-1825139-0
not assigned	4-1825139-1
A213SYZQ04	4-1825139-2
A215SD9V30B04	4-1825139-3
A215SY9AQ04	4-1825139-4
A215SYZQ04	4-1825139-5
A203LYCQ04	4-1825139-6
A203LD9CQ04	4-1825139-7
A203LDCQ04	4-1825139-8



MATERIALS CHART

COMPONENT NAME	BASE MATERIAL	FINISH
CASE	DAP, RED, UL94 V-0	
FRAME	STAINLESS STEEL	
B TERMINALS & CONTACTS	COPPER	GOLD OVER NICKEL
G TERMINALS & CONTACTS	COPPER	GOLD OVER SILVER
Q TERMINALS & CONTACTS	COPPER	.000400 SILVER
ACTUATOR	PHENOLIC, BLACK, UL94 V-1	
LEVER	BRASS	CHROME
BUSHING	BRASS	NICKEL
SPRING	MUSIC WIRE	
SUPPORT BRACKET	BRASS	TIN
PIVOT PIN	STEEL	NICKEL
LOCK WASHER	STAINLESS STEEL	
LOCKING RING	STAINLESS STEEL	
NUTS	C3604BD BRASS	NICKEL
TERMINAL SEAL	EPOXY	

THIS DRAWING IS A CONTROLLED DOCUMENT.		DWN M. ZITTO	14APR05	TE TE Connectivity
DIMENSIONS: INCHES		CHK M. ZITTO	APVD M. ZITTO	
TOLERANCES UNLESS OTHERWISE SPECIFIED:		PRODUCT SPEC		NAME GEMINI A SERIES TOGGLE SWITCH, DOUBLE POLE, 3 POSITION FUNCTIONS (03, 05, 07, 11, 13 & 15)
0 PLC ± - 1 PLC ± - 2 PLC ± - 3 PLC ± .010 4 PLC ± - ANGLES ± 2°		APPLICATION SPEC		SIZE A2
MATERIAL		WEIGHT		CAGE CODE 00779
FINISH		CUSTOMER DRAWING		DRAWING NO 1825139
		SCALE 3:1		RESTRICTED TO -
		SHEET 4 of 4		REV A5



Компания «ЭлектроПласт» предлагает заключение долгосрочных отношений при поставках импортных электронных компонентов на взаимовыгодных условиях!

Наши преимущества:

- Оперативные поставки широкого спектра электронных компонентов отечественного и импортного производства напрямую от производителей и с крупнейших мировых складов;
- Поставка более 17-ти миллионов наименований электронных компонентов;
- Поставка сложных, дефицитных, либо снятых с производства позиций;
- Оперативные сроки поставки под заказ (от 5 рабочих дней);
- Экспресс доставка в любую точку России;
- Техническая поддержка проекта, помощь в подборе аналогов, поставка прототипов;
- Система менеджмента качества сертифицирована по Международному стандарту ISO 9001;
- Лицензия ФСБ на осуществление работ с использованием сведений, составляющих государственную тайну;
- Поставка специализированных компонентов (Xilinx, Altera, Analog Devices, Intersil, Interpoint, Microsemi, Aeroflex, Peregrine, Syfer, Eurofarad, Texas Instrument, Miteq, Cobham, E2V, MA-COM, Hittite, Mini-Circuits, General Dynamics и др.);

Помимо этого, одним из направлений компании «ЭлектроПласт» является направление «Источники питания». Мы предлагаем Вам помощь Конструкторского отдела:

- Подбор оптимального решения, техническое обоснование при выборе компонента;
- Подбор аналогов;
- Консультации по применению компонента;
- Поставка образцов и прототипов;
- Техническая поддержка проекта;
- Защита от снятия компонента с производства.



Как с нами связаться

Телефон: 8 (812) 309 58 32 (многоканальный)

Факс: 8 (812) 320-02-42

Электронная почта: org@eplast1.ru

Адрес: 198099, г. Санкт-Петербург, ул. Калинина, дом 2, корпус 4, литера А.