

## ICL3221, ICL3222, ICL3223, ICL3232, ICL3241, ICL3243

One Microamp Supply-Current, +3V to +5.5V, 250kbps, RS-232 Transmitters/Receivers

The [ICL3221](#), [ICL3222](#), [ICL3223](#), [ICL3232](#), [ICL3241](#), [ICL3243](#) (ISL32xx) devices are 3.0V to 5.5V powered RS-232 transmitters/receivers that meet EIA/TIA-232 and V.28/V.24 specifications, even at  $V_{CC} = 3.0V$ . Targeted applications are PDAs, notebook, and laptop computers where the low operational power consumption and even lower standby power consumption are critical. Efficient on-chip charge pumps, coupled with manual and automatic power-down functions (except for the ICL3232), reduce the standby supply current to a 1 $\mu$ A trickle. Small footprint packaging, and the use of small, low value capacitors ensure board space savings as well. Data rates greater than 250kbps are ensured at worst case load conditions. This family is fully compatible with 3.3V only systems, mixed 3.3V and 5.0V systems, and 5.0V only systems.

The ICL324x are 3-driver, 5-receiver devices that provide a complete serial port suitable for laptop or notebook computers. Both devices also include noninverting always-active receivers for “wake-up” capability.

The ICL3221, ICL3223 and ICL3243 feature an automatic powerdown function that powers down the on-chip power-supply and driver circuits. Power-down occurs when an attached peripheral device is shut off or the RS-232 cable is removed, conserving system power automatically without changes to the hardware or operating system. These devices power up again when a valid RS-232 voltage is applied to any receiver input.

[Table 1 on page 6](#) summarizes the features of the devices represented by this datasheet, while Application Note [AN9863](#) summarizes the features of each device comprising the ICL32xx 3V family.

### Related Literature

For a full list of related documents, visit our website:

- [ICL3221](#), [ICL3222](#), [ICL3223](#), [ICL3232](#), [ICL3241](#), and [ICL3243](#) device pages

### Features

- RoHS Compliant
- 15kV ESD protected (Human Body Model)
- Drop-in replacements for MAX3221, MAX3222, MAX3223, MAX3232, MAX3241, MAX3243, SP3243
- ICL3221 is a low-power, pin compatible upgrade for 5V MAX221
- ICL3222 is a low-power, pin compatible upgrade for 5V MAX242, and SP312A
- ICL3232 is a low-power upgrade for HIN232/ICL232 and pin compatible competitor devices
- RS-232 compatible with  $V_{CC} = 2.7V$
- Meets EIA/TIA-232 and V.28/V.24 specifications at 3V
- Latch-up free
- On-chip voltage converters require only four external 0.1 $\mu$ F capacitors
- Manual and automatic powerdown features (except ICL3232)
- Assured mouse driveability (ICL324x only)
- Receiver hysteresis for improved noise immunity
- Assured minimum data rate: 250kbps
- Assured minimum slew rate: 6V/ $\mu$ s
- Wide power supply range: single +3V to +5.5V
- Low supply current in powerdown state: 1 $\mu$ A

### Applications

- Any system requiring RS-232 communication ports
  - Battery powered, hand-held, and portable equipment
  - Laptop computers, Notebooks
  - Modems, printers, and other peripherals
  - Digital cameras
  - Cellular/mobile phones

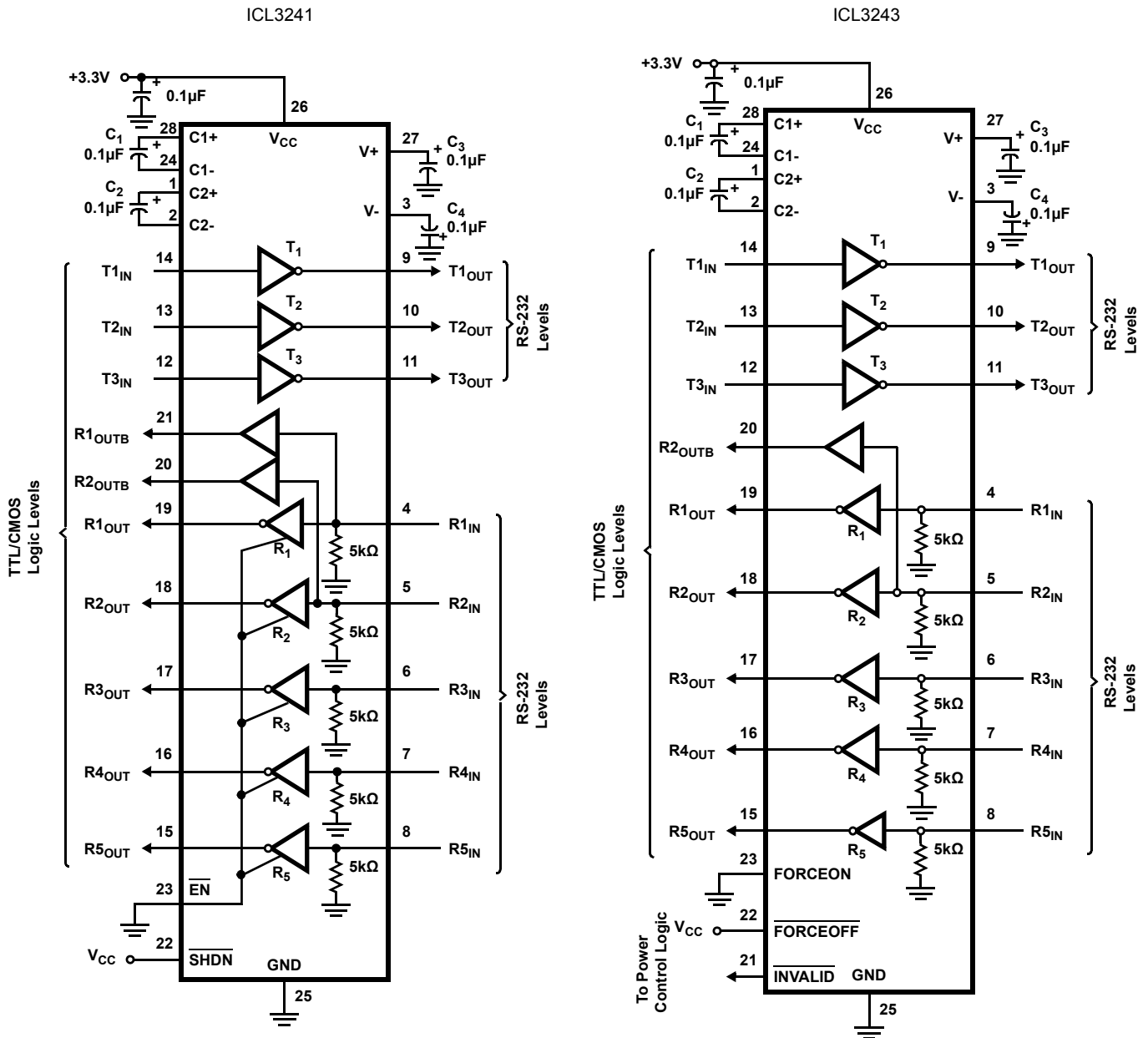
## Contents

|   |           |
|---|-----------|
| <b>1. Overview</b>                                  | <b>3</b>  |
| 1.1 Typical Operating Circuits                      | 3         |
| 1.2 Ordering Information                            | 4         |
| 1.3 Pin Configurations                              | 6         |
| 1.4 Pin Descriptions                                | 8         |
| <b>2. Specifications</b>                            | <b>9</b>  |
| 2.1 Absolute Maximum Ratings                        | 9         |
| 2.2 Thermal Information                             | 9         |
| 2.3 Recommended Operating Conditions                | 10        |
| 2.4 Electrical Specifications                       | 10        |
| <b>3. Typical Performance Curves</b>                | <b>12</b> |
| <b>4. Application Information</b>                   | <b>13</b> |
| 4.1 Charge Pump                                     | 13        |
| 4.1.1 Charge Pump Absolute Maximum Ratings          | 13        |
| 4.2 Transmitters                                    | 14        |
| 4.3 Receivers                                       | 14        |
| 4.4 Low Power Operation                             | 15        |
| 4.5 Powerdown Functionality (Except ICL3232)        | 15        |
| 4.5.1 Software Controlled (Manual) Powerdown        | 15        |
| 4.5.2 $\overline{\text{INVALID}}$ Output            | 16        |
| 4.5.3 Automatic Powerdown (ICL3221/23/43 Only)      | 18        |
| 4.6 Receiver ENABLE Control (ICL3221/22/23/41 Only) | 19        |
| 4.7 Capacitor Selection                             | 19        |
| 4.8 Power Supply Decoupling                         | 19        |
| 4.9 Operation Down to 2.7V                          | 19        |
| 4.10 Transmitter Outputs when Exiting Powerdown     | 20        |
| 4.11 Mouse Driveability                             | 20        |
| 4.12 High Data Rates                                | 20        |
| 4.13 Interconnection with 3V and 5V Logic           | 21        |
| 4.14 Pin Compatible Replacements For 5V Devices     | 22        |
| <b>5. Die Characteristics</b>                       | <b>23</b> |
| <b>6. Revision History</b>                          | <b>24</b> |
| <b>7. Package Outline Drawings</b>                  | <b>25</b> |

# 1. Overview

## 1.1 Typical Operating Circuits





## 1.2 Ordering Information

| Part Number (Notes 2, 3)   | Part Marking | Temp. Range (°c) | Tape and Reel (Units) (Note 1) | Package (RoHS Compliant) | Pkg. Dwg. # |
|--|--------------|------------------|--------------------------------|--------------------------|-------------|
| ICL3221CAZ   | ICL3221CAZ   | 0 to 70          | -                              | 16 Ld SSOP               | M16.209     |
| ICL3221CAZ-T   | ICL3221CAZ   | 0 to 70          | 1k                             | 16 Ld SSOP               | M16.209     |
| ICL3221CVZ   | 3221CVZ      | 0 to 70          | -                              | 16 Ld TSSOP              | M16.173     |
| ICL3221CVZ-T   | 3221CVZ      | 0 to 70          | 2.5k                           | 16 Ld TSSOP              | M16.173     |
| ICL3221IAZ   | ICL3221IAZ   | -40 to 85        | -                              | 16 Ld SSOP               | M16.209     |
| ICL3221IAZ-T   | ICL3221IAZ   | -40 to 85        | 1k                             | 16 Ld SSOP               | M16.209     |
| ICL3221IAZ-T7A   | ICL3221IAZ   | -40 to 85        | 250                            | 16 Ld SSOP               | M16.209     |
| ICL3222CAZ (No longer available, recommended replacement: ICL3222ECAZ) | ICL3222CAZ   | 0 to 70          | -                              | 20 Ld SSOP               | M20.209     |

| Part Number (Notes 2, 3)   | Part Marking | Temp. Range (°c) | Tape and Reel (Units) (Note 1) | Package (RoHS Compliant) | Pkg. Dwg. # |
|--|--------------|------------------|--------------------------------|--------------------------|-------------|
| ICL3222CBZ (No longer available, recommended replacement: ICL3222EIBZ) | 3222CBZ      | 0 to 70          | -                              | 18 Ld SOIC               | M18.3       |
| ICL3222CVZ   | ICL3222CVZ   | 0 to 70          | -                              | 20 Ld TSSOP              | M20.173     |
| ICL3222CVZ-T   | ICL3222CVZ   | 0 to 70          | 2.5k                           | 20 Ld TSSOP              | M20.173     |
| ICL3222IAZ (No longer available, recommended replacement: ICL3222EIAZ) | ICL3222IAZ   | -40 to 85        | -                              | 20 Ld SSOP               | M20.209     |
| ICL3222IVZ (No longer available, recommended replacement: ICL3222EIVZ) | ICL3222IVZ   | -40 to 85        | -                              | 20 Ld TSSOP              | M20.173     |
| ICL3223CAZ (No longer available, recommended replacement: ICL3223ECAZ) | ICL3223CAZ   | 0 to 70          | -                              | 20 Ld SSOP               | M20.209     |
| ICL3223IAZ   | ICL3223IAZ   | -40 to 85        | -                              | 20 Ld SSOP               | M20.209     |
| ICL3223IAZ-T   | ICL3223IAZ   | -40 to 85        | 1k                             | 20 Ld SSOP               | M20.209     |
| ICL3223IVZ   | ICL3223IVZ   | -40 to 85        | -                              | 20 Ld TSSOP              | M20.173     |
| ICL3223IVZ-T   | ICL3223IVZ   | -40 to 85        | 2.5k                           | 20 Ld TSSOP              | M20.173     |
| ICL3232CAZ (No longer available, recommended replacement: ICL3232ECAZ) | 3232CAZ      | 0 to 70          | -                              | 16 Ld SSOP               | M16.209     |
| ICL3232CBZ (No longer available, recommended replacement: ICL3232ECBZ) | 3232CBZ      | 0 to 70          | -                              | 16 Ld SOIC               | M16.3       |
| ICL3232CBNZ  | 3232CBNZ     | 0 to 70          | -                              | 16 Ld SOIC (N)           | M16.15      |
| ICL3232CBNZ-T  | 3232CBNZ     | 0 to 70          | 2.5k                           | 16 Ld SOIC (N)           | M16.15      |
| ICL3232CPZ   | ICL3232CPZ   | 0 to 70          | -                              | 16 Ld PDIP               | E16.3       |
| ICL3232CVZ   | 3232CVZ      | 0 to 70          | -                              | 16 Ld TSSOP              | M16.173     |
| ICL3232CVZ-T   | 3232CVZ      | 0 to 70          | 2.5k                           | 16 Ld TSSOP              | M16.173     |
| ICL3232IAZ (No longer available, recommended replacement: ICL3232EIAZ) | 3232IAZ      | -40 to 85        | -                              | 16 Ld SSOP               | M16.209     |
| ICL3232IBZ (No longer available, recommended replacement: ICL3232EIBZ) | 3232IBZ      | -40 to 85        | -                              | 16 Ld SOIC               | M16.3       |
| ICL3232IBNZ  | 3232IBNZ     | -40 to 85        | -                              | 16 Ld SOIC (N)           | M16.15      |
| ICL3232IBNZ-T  | 3232IBNZ     | -40 to 85        | 2.5k                           | 16 Ld SOIC (N)           | M16.15      |
| ICL3232IBNZ-T7A  | 3232IBNZ     | -40 to 85        | 250                            | 16 Ld SOIC (N)           | M16.15      |
| ICL3232IVZ   | 3232IVZ      | -40 to 85        | -                              | 16 Ld TSSOP              | M16.173     |
| ICL3232IVZ-T   | 3232IVZ      | -40 to 85        | 2.5k                           | 16 Ld TSSOP              | M16.173     |
| ICL3232IVZ-T7A   | 3232IVZ      | -40 to 85        | 250                            | 16 Ld TSSOP              | M16.173     |
| ICL3241CAZ (No longer available, recommended replacement: ICL3241ECAZ) | ICL3241CAZ   | 0 to 70          | -                              | 28 Ld SSOP               | M28.209     |
| ICL3241CVZ (No longer available, recommended replacement: ICL3241ECVZ) | ICL3241CVZ   | 0 to 70          | -                              | 28 Ld TSSOP              | M28.173     |
| ICL3241IAZ (No longer available, recommended replacement: ICL3241EIAZ) | ICL3241IAZ   | -40 to 85        | -                              | 28 Ld SSOP               | M28.209     |

| Part Number (Notes 2, 3)   | Part Marking | Temp. Range (°C) | Tape and Reel (Units) (Note 1) | Package (RoHS Compliant) | Pkg. Dwg. # |
|--|--------------|------------------|--------------------------------|--------------------------|-------------|
| ICL3243CAZ (No longer available, recommended replacement: ICL3243ECAZ) | ICL3243CAZ   | 0 to 70          | -                              | 28 Ld SSOP               | M28.209     |
| ICL3243CBZ   | ICL3243CBZ   | 0 to 70          | -                              | 28 Ld SOIC               | M28.3       |
| ICL3243CBZ-T   | ICL3243CBZ   | 0 to 70          | 1k                             | 28 Ld SOIC               | M28.3       |
| ICL3243CVZ (No longer available, recommended replacement: ICL3243ECVZ) | ICL3243CVZ   | 0 to 70          | -                              | 28 Ld TSSOP              | M28.173     |
| ICL3243IAZ (No longer available, recommended replacement: ICL3243EIAZ) | ICL3243IAZ   | -40 to 85        | -                              | 28 Ld SSOP               | M28.209     |

Notes:

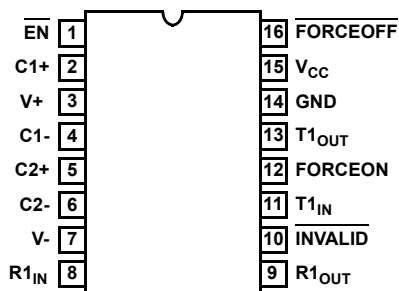
1. See [TB347](#) for details about reel specifications.
2. Pb-free plus anneal products employ special Pb-free material sets; molding compounds/die attach materials and 100% matte tin plate termination finish, which are RoHS compliant and compatible with both SnPb and Pb-free soldering operations. Pb-free products are MSL classified at Pb-free peak reflow temperatures that meet or exceed the Pb-free requirements of IPC/JEDEC J-STD-020.
3. For Moisture Sensitivity Level (MSL), see the [ICL3221](#), [ICL3222](#), [ICL3223](#), [ICL3232](#), [ICL3241](#), and [ICL3243](#) device pages. For more information about MSL, see [TB363](#).

Table 1. Summary of Features

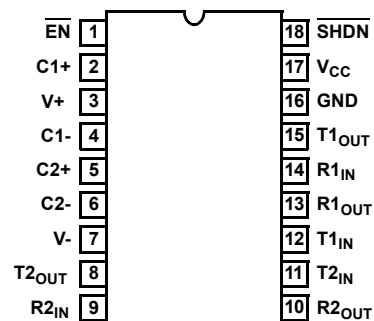
| Part Number | No. of Tx. | No. of Rx. | No. of Monitor Rx. (R <sub>OUTB</sub> ) | Data Rate (kbps) | Rx. Enable Function? | Ready Output? | Manual Power-Down? | Automatic Powerdown Function? |
|-------------|------------|------------|---|------------------|----------------------|---------------|--------------------|-------------------------------|
| ICL3221     | 1          | 1          | 0                                       | 250              | Yes                  | No            | Yes                | Yes                           |
| ICL3222     | 2          | 2          | 0                                       | 250              | Yes                  | No            | Yes                | No                            |
| ICL3223     | 2          | 2          | 0                                       | 250              | Yes                  | No            | Yes                | Yes                           |
| ICL3232     | 2          | 2          | 0                                       | 250              | No                   | No            | No                 | No                            |
| ICL3241     | 3          | 5          | 2                                       | 250              | Yes                  | No            | Yes                | No                            |
| ICL3243     | 3          | 5          | 1                                       | 250              | No                   | No            | Yes                | Yes                           |

### 1.3 Pin Configurations

ICL3221 (SSOP, TSSOP)  
Top View



ICL3222 (SOIC)  
Top View



ICL3222 (SSOP, TSSOP)  
Top View



ICL3223 (SSOP, TSSOP)  
Top View



ICL3232 (PDIP, SOIC, SSOP, TSSOP)  
Top View



ICL3241 (SSOP, TSSOP)  
Top View



ICL3243 (SOIC, SSOP, TSSOP)  
Top View



## 1.4 Pin Descriptions

| Pin                          | Function   |
|------------------------------|--|
| V <sub>CC</sub>              | System power supply input (3.0V to 5.5V).  |
| V+                           | Internally generated positive transmitter supply (+5.5V).  |
| V-                           | Internally generated negative transmitter supply (-5.5V).  |
| GND                          | Ground connection.   |
| C1+                          | External capacitor (voltage doubler) is connected to this lead.  |
| C1-                          | External capacitor (voltage doubler) is connected to this lead.  |
| C2+                          | External capacitor (voltage inverter) is connected to this lead.   |
| C2-                          | External capacitor (voltage inverter) is connected to this lead.   |
| T <sub>IN</sub>              | TTL/CMOS compatible transmitter Inputs.  |
| T <sub>OUT</sub>             | RS-232 level (nominally ±5.5V) transmitter outputs.  |
| R <sub>IN</sub>              | RS-232 compatible receiver inputs.   |
| R <sub>OUT</sub>             | TTL/CMOS level receiver outputs.   |
| R <sub>OUTB</sub>            | TTL/CMOS level, noninverting, always enabled receiver outputs.   |
| INVALID                      | Active low output that indicates if no valid RS-232 levels are present on any receiver input.  |
| $\overline{\text{EN}}$       | Active low receiver enable control; doesn't disable R <sub>OUTB</sub> outputs.   |
| $\overline{\text{SHDN}}$     | Active low input to shut down transmitters and on-board power supply to place device in low power mode.  |
| $\overline{\text{FORCEOFF}}$ | Active low to shut down transmitters and on-chip power supply. This overrides any automatic circuitry and FORCEON (See <a href="#">Table 5 on page 15</a> ). |
| FORCEON                      | Active high input to override automatic powerdown circuitry thereby keeping transmitters active. ( $\overline{\text{FORCEOFF}}$ must be high).               |



## 2. Specifications

### 2.1 Absolute Maximum Ratings

| Parameter                                     | Minimum                                | Maximum              | Unit |
|---|--|----------------------|------|
| V <sub>CC</sub> to Ground                     | -0.3                                   | 6                    | V    |
| V+ to Ground                                  | -0.3                                   | 7                    | V    |
| V- to Ground                                  | +0.3                                   | -7                   | V    |
| V+ to V-                                      |  | 14                   | V    |
| <b>Input Voltages</b>                         |  |                      |      |
| T <sub>IN</sub> , FORCEOFF, FORCEON, EN, SHDN | -0.3                                   | 6                    | V    |
| R <sub>IN</sub>                               |  | ±25                  | V    |
| <b>Output Voltages</b>                        |  |                      |      |
| T <sub>OUT</sub>                              |  | ±13.2                | V    |
| R <sub>OUT</sub> , INVALID                    | -0.3                                   | V <sub>CC</sub> +0.3 | V    |
| <b>Short-Circuit Duration</b>                 |  |                      |      |
| T <sub>OUT</sub>                              |  | Continuous           |      |
| ESD Rating                                    | (See <a href="#">ESD Performance</a> ) |                      |      |

CAUTION: Do not operate at or near the maximum ratings listed for extended periods of time. Exposure to such conditions can adversely impact product reliability and result in failures not covered by warranty.

### 2.2 Thermal Information

| Thermal Resistance (Typical, <a href="#">Note 4</a> ) | $\theta_{JA}$ (°C/W) |
|---|----------------------|
| 16 Ld PDIP Package ( <a href="#">Note 5</a> )         | 90                   |
| 16 Ld Wide SOIC Package                               | 100                  |
| 16 Ld Narrow SOIC Package                             | 115                  |
| 18 Ld SOIC Package                                    | 75                   |
| 28 Ld SOIC Package                                    | 75                   |
| 16 Ld SSOP Package                                    | 135                  |
| 20 Ld SSOP Package                                    | 122                  |
| 16 Ld TSSOP Package                                   | 145                  |
| 20 Ld TSSOP Package                                   | 140                  |
| 28 Ld SSOP and TSSOP Packages                         | 100                  |

Notes:

- $\theta_{JA}$  is measured with the component mounted on a low-effective thermal conductivity test board in free air. See [TB379](#).
- Pb-free PDIPs can be used for through hole wave solder processing only. They are not intended for use in Reflow solder processing applications.

| Parameter                                       | Minimum                   | Maximum | Unit |
|---|---------------------------|---------|------|
| Maximum Junction Temperature (Plastic Package)  |                           | +150    | °C   |
| Maximum Storage Temperature Range               | -65                       | +150    | °C   |
| Pb-Free Reflow Profile (SOIC, SSOP, TSSOP Only) | see <a href="#">TB493</a> |         |      |

## 2.3 Recommended Operating Conditions

| Parameter                | Minimum | Maximum | Unit |
|--------------------------|---------|---------|------|
| <b>Temperature Range</b> |         |         |      |
| ICL32xxCx                | 0       | +70     | °C   |
| ICL32xxIx                | -40     | +85     | °C   |

## 2.4 Electrical Specifications

Test Conditions:  $V_{CC} = 3V$  to  $5.5V$ ,  $C_1 - C_4 = 0.1\mu F$ ; unless otherwise specified. Typicals are at  $T_A = 25^\circ C$

| Parameter   | Test Conditions  | Temp<br>p<br>(°C)                | Min            | Typ            | Max       | Unit    |    |
|---|--|----------------------------------|----------------|----------------|-----------|---------|----|
| <b>DC Characteristics</b>   |  |                                  |                |                |           |         |    |
| Supply Current, Automatic Power-Down  | All $R_{IN}$ open, $\overline{FORCEON} = GND$ , $\overline{FORCEOFF} = V_{CC}$<br>(ICL3221, ICL3223, ICL3243 only) | 25                               | -              | 1.0            | 10        | $\mu A$ |    |
| Supply Current, Powerdown   | $\overline{FORCEOFF} = \overline{SHDN} = GND$ (except ICL3232)   | 25                               | -              | 1.0            | 10        | $\mu A$ |    |
| Supply Current, Automatic Power-Down Disabled   | All outputs unloaded,<br>$\overline{FORCEON} = \overline{FORCEOFF} = \overline{SHDN} = V_{CC}$                     | $V_{CC} = 3.15V$ ,<br>ICL3221-32 | 25             | -              | 0.3       | 1.0     | mA |
|   |  | $V_{CC} = 3.0V$ , ICL3241-43     | 25             | -              | 0.3       | 1.0     | mA |
| <b>Logic and Transmitter Inputs and Receiver Outputs</b>  |  |                                  |                |                |           |         |    |
| Input Logic Threshold Low   | $T_{IN}$ , $\overline{FORCEON}$ , $\overline{FORCEOFF}$ , $\overline{EN}$ , $\overline{SHDN}$                      | Full                             | -              | -              | 0.8       | V       |    |
| Input Logic Threshold High  | $T_{IN}$ , $\overline{FORCEON}$ , $\overline{FORCEOFF}$ ,<br>$\overline{EN}$ , $\overline{SHDN}$                   | $V_{CC} = 3.3V$                  | Full           | 2.0            | -         | -       | V  |
|   |  | $V_{CC} = 5.0V$                  | Full           | 2.4            | -         | -       | V  |
| Input Leakage Current   | $T_{IN}$ , $\overline{FORCEON}$ , $\overline{FORCEOFF}$ , $\overline{EN}$ , $\overline{SHDN}$                      | Full                             | -              | $\pm 0.01$     | $\pm 1.0$ | $\mu A$ |    |
| Output Leakage Current<br>(Except ICL3232)  | $\overline{FORCEOFF} = GND$ or $\overline{EN} = V_{CC}$  | Full                             | -              | $\pm 0.05$     | $\pm 10$  | $\mu A$ |    |
| Output Voltage Low  | $I_{OUT} = 1.6mA$  | Full                             | -              | -              | 0.4       | V       |    |
| Output Voltage High   | $I_{OUT} = -1.0mA$   | Full                             | $V_{CC} - 0.6$ | $V_{CC} - 0.1$ | -         | V       |    |
| <b>Automatic Powerdown</b> (ICL3221, ICL3223, ICL3243 only, $\overline{FORCEON} = GND$ , $\overline{FORCEOFF} = V_{CC}$ ) |  |                                  |                |                |           |         |    |
| Receiver Input Thresholds to Enable Transmitters  | ICL32xx powers up (See <a href="#">Figure 12</a> )   | Full                             | -2.7           | -              | 2.7       | V       |    |
| Receiver Input Thresholds to Disable Transmitters   | ICL32xx powers down (See <a href="#">Figure 12</a> )   | Full                             | -0.3           | -              | 0.3       | V       |    |
| INVALID Output Voltage Low  | $I_{OUT} = 1.6mA$  | Full                             | -              | -              | 0.4       | V       |    |
| INVALID Output Voltage High   | $I_{OUT} = -1.0mA$   | Full                             | $V_{CC} - 0.6$ | -              | -         | V       |    |
| Receiver Threshold to Transmitters Enabled Delay ( $t_{WU}$ )   |  | 25                               | -              | 100            | -         | $\mu s$ |    |
| Receiver Positive or Negative Threshold to INVALID High Delay ( $t_{INVH}$ )  |  | 25                               | -              | 1              | -         | $\mu s$ |    |
| Receiver Positive or Negative Threshold to INVALID Low Delay ( $t_{INVL}$ )   |  | 25                               | -              | 30             | -         | $\mu s$ |    |
| <b>Receiver Inputs</b>  |  |                                  |                |                |           |         |    |
| Input Voltage Range   |  | Full                             | -25            | -              | 25        | V       |    |
| Input Threshold Low   | $V_{CC} = 3.3V$  | 25                               | 0.6            | 1.2            | -         | V       |    |
|   | $V_{CC} = 5.0V$  | 25                               | 0.8            | 1.5            | -         | V       |    |
| Input Threshold High  | $V_{CC} = 3.3V$  | 25                               | -              | 1.5            | 2.4       | V       |    |
|   | $V_{CC} = 5.0V$  | 25                               | -              | 1.8            | 2.4       | V       |    |
| Input Hysteresis  |  | 25                               | -              | 0.3            | -         | V       |    |

Test Conditions:  $V_{CC} = 3V$  to  $5.5V$ ,  $C_1 - C_4 = 0.1\mu F$ ; unless otherwise specified. Typical values are at  $T_A = 25^\circ C$  (Continued)

| Parameter                                     | Test Conditions  | Temp<br>p<br>(°C)         | Min  | Typ  | Max  | Unit |      |
|---|--|---------------------------|------|------|------|------|------|
| Input Resistance                              |  | 25                        | 3    | 5    | 7    | kΩ   |      |
| <b>Transmitter Outputs</b>                    |  |                           |      |      |      |      |      |
| Output Voltage Swing                          | All Transmitter Outputs Loaded with 3kΩ to Ground  | Full                      | ±5.0 | ±5.4 | -    | V    |      |
| Output Resistance                             | $V_{CC} = V_+ = V_- = 0V$ , Transmitter Output = ±2V   | Full                      | 300  | 10M  | -    | Ω    |      |
| Output Short-Circuit Current                  |  | Full                      | -    | ±35  | ±60  | mA   |      |
| Output Leakage Current                        | $V_{OUT} = \pm 12V$ , $V_{CC} = 0V$ or $3V$ to $5.5V$<br>Automatic Powerdown or FORCEOFF = SHDN = GND                                | Full                      | -    | -    | ±25  | μA   |      |
| <b>Mouse Driveability (ICL324X Only)</b>      |  |                           |      |      |      |      |      |
| Transmitter Output Voltage<br>(See Figure 15) | $T1_{IN} = T2_{IN} = GND$ , $T3_{IN} = V_{CC}$ , $T3_{OUT}$ loaded with 3kΩ to GND, $T1_{OUT}$ and $T2_{OUT}$ loaded with 2.5mA each | Full                      | ±5   | -    | -    | V    |      |
| <b>Timing Characteristics</b>                 |  |                           |      |      |      |      |      |
| Maximum Data Rate                             | $R_L = 3k\Omega$ , $C_L = 1000pF$ , one transmitter switching  | Full                      | 250  | 500  | -    | kbps |      |
| Receiver Propagation Delay                    | Receiver input to receiver output,<br>$C_L = 150pF$  | $t_{PHL}$                 | 25   | -    | 0.3  | -    | μs   |
|   |  | $t_{PLH}$                 | 25   | -    | 0.3  | -    | μs   |
| Receiver Output Enable Time                   | Normal operation (except ICL3232)  | 25                        | -    | 200  | -    | ns   |      |
| Receiver Output Disable Time                  | Normal operation (except ICL3232)  | 25                        | -    | 200  | -    | ns   |      |
| Transmitter Skew                              | $t_{PHL} - t_{PLH}$  | Full                      | -    | 200  | 1000 | ns   |      |
| Receiver Skew                                 | $t_{PHL} - t_{PLH}$  | Full                      | -    | 100  | 500  | ns   |      |
| Transition Region Slew Rate                   | $V_{CC} = 3.3V$ ,<br>$R_L = 3k\Omega$ to $7k\Omega$ ,<br>Measured from 3V to -3V or -3V to 3V  | $C_L = 200pF$ to $2500pF$ | 25   | 4    | 8.0  | 30   | V/μs |
|   |  | $C_L = 200pF$ to $1000pF$ | 25   | 6    | -    | 30   | V/μs |
| <b>ESD Performance</b>                        |  |                           |      |      |      |      |      |
| RS-232 Pins ( $T_{OUT}$ , $R_{IN}$ )          | Human Body Model   | ICL3221 - ICL3243         | 25   | -    | ±15  | -    | kV   |
|   | IEC61000-4-2 Contact Discharge   | ICL3221 - ICL3243         | 25   | -    | ±8   | -    | kV   |
|   | IEC61000-4-2 Air Gap Discharge   | ICL3221 - ICL3232         | 25   | -    | ±8   | -    | kV   |
|   |  | ICL3241 - ICL3243         | 25   | -    | ±6   | -    | kV   |
| All Other Pins                                | Human Body Model   | ICL3221 - ICL3243         | 25   | -    | ±2   | -    | kV   |

### 3. Typical Performance Curves

$V_{CC} = 3.3V, T_A = 25^\circ C$



Figure 1. Transmitter Output Voltage vs Load Capacitance

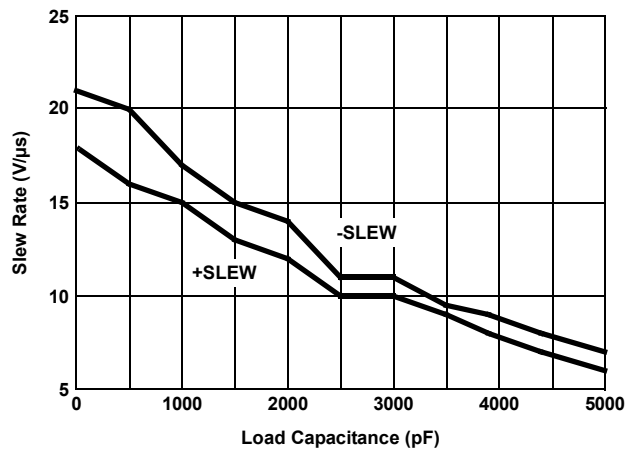


Figure 2. Slew Rate vs Load Capacitance



Figure 3. Supply Current vs Load Capacitance when Transmitting Data



Figure 4. Supply Current vs Load Capacitance when Transmitting Data



Figure 5. Supply Current vs Load Capacitance when Transmitting Data



Figure 6. Supply Current vs Supply Voltage

## 4. Application Information

The ICL32xx interface ICs operate from a single +3V to +5.5V supply, ensure a 250kbps minimum data rate, require only four small external 0.1 $\mu$ F capacitors, feature low-power consumption, and meet all EIA RS-232C and V.28 specifications. The circuit is divided into three sections:

- Charge-pump
- Transmitters
- Receivers

### 4.1 Charge Pump

The ICL32xx family uses regulated on-chip dual charge pumps as voltage doublers, and voltage inverters to generate  $\pm 5.5$ V transmitter supplies from a  $V_{CC}$  supply as low as 3.0V, which allows these devices to maintain RS-232 compliant output levels over the  $\pm 10\%$  tolerance range of 3.3V powered systems. The efficient on-chip power supplies require only four small, external 0.1 $\mu$ F capacitors for the voltage doubler and inverter functions at  $V_{CC} = 3.3$ V. See [Capacitor Selection](#) and [Table 6 on page 19](#) for capacitor recommendations for other operating conditions. The charge pumps operate discontinuously (for example, they turn off as soon as the V+ and V- supplies are pumped up to the nominal values), resulting in significant power savings.

#### 4.1.1 Charge Pump Absolute Maximum Ratings

These 3V to 5V RS-232 transceivers have been fully characterized for 3.0V to 3.6V operation, and at critical points for 4.5V to 5.5V operation. Furthermore, load conditions were favorable using static logic states only.

The specified maximum values for V+ and V- are +7V and -7V, respectively. These limits apply for VCC values set to 3.0V and 3.6V (see [Table 2](#)). For VCC values set to 4.5V and 5.5V, the maximum values for V+ and V- can approach +9V and -7V respectively (see [Table 3](#)). The breakdown characteristics for V+ and V- were measured with  $\pm 13$ V.

**Table 2. V+ and V- Values for  $V_{CC} = 3.0$ V to 3.6V**

| C <sub>1</sub> ( $\mu$ F) | C <sub>2</sub> , C <sub>3</sub> , C <sub>4</sub> ( $\mu$ F) | Load                  | T11N (Logic State) | V+ (V)                 |                        | V- (V)                 |                        |
|---------------------------|---|-----------------------|--------------------|------------------------|------------------------|------------------------|------------------------|
|                           |   |                       |                    | V <sub>CC</sub> = 3.0V | V <sub>CC</sub> = 3.6V | V <sub>CC</sub> = 3.0V | V <sub>CC</sub> = 3.6V |
| 0.1                       | 0.1   | Open                  | H                  | 5.8                    | 6.56                   | -5.6                   | -5.88                  |
|                           |   |                       | L                  | 5.8                    | 6.56                   | -5.6                   | -5.88                  |
|                           |   |                       | 2.4kbps            | 5.8                    | 6.56                   | -5.6                   | -5.88                  |
|                           |   | 3k $\Omega$ // 1000pF | H                  | 5.88                   | 6.6                    | -5.56                  | -5.92                  |
|                           |   |                       | L                  | 5.76                   | 6.36                   | -5.56                  | -5.76                  |
|                           |   |                       | 2.4kbps            | 6                      | 6.64                   | -5.64                  | -5.96                  |
| 0.047                     | 0.33  | Open                  | H                  | 5.68                   | 6                      | -5.6                   | -5.6                   |
|                           |   |                       | L                  | 5.68                   | 6                      | -5.6                   | -5.6                   |
|                           |   |                       | 2.4kbps            | 5.68                   | 6                      | -5.6                   | -5.6                   |
|                           |   | 3k $\Omega$ // 1000pF | H                  | 5.76                   | 6.08                   | -5.64                  | -5.64                  |
|                           |   |                       | L                  | 5.68                   | 6.04                   | -5.6                   | -5.6                   |
|                           |   |                       | 2.4kbps            | 5.84                   | 6.16                   | -5.64                  | -5.72                  |
| 1                         | 1   | Open                  | H                  | 5.88                   | 6.24                   | -5.6                   | -5.6                   |
|                           |   |                       | L                  | 5.88                   | 6.28                   | -5.6                   | -5.64                  |
|                           |   |                       | 2.4kbps            | 5.8                    | 6.2                    | -5.6                   | -5.6                   |
|                           |   | 3k $\Omega$ // 1000pF | H                  | 5.88                   | 6.44                   | -5.64                  | -5.72                  |
|                           |   |                       | L                  | 5.88                   | 6.04                   | -5.64                  | -5.64                  |
|                           |   |                       | 2.4kbps            | 5.92                   | 6.4                    | -5.64                  | -5.64                  |

**Table 3. V+ and V- Values for V<sub>CC</sub> = 4.5V to 5.5V**

| C <sub>1</sub> (μF) | C <sub>2</sub> , C <sub>3</sub> , C <sub>4</sub> (μF) | Load          | T11N (Logic State) | V+ (V)                 |                        | V- (V)                 |                        |
|---------------------|---|---------------|--------------------|------------------------|------------------------|------------------------|------------------------|
|                     |   |               |                    | V <sub>CC</sub> = 4.5V | V <sub>CC</sub> = 5.5V | V <sub>CC</sub> = 4.5V | V <sub>CC</sub> = 5.5V |
| 0.1                 | 0.1   | Open          | H                  | 7.44                   | 8.48                   | -6.16                  | -6.4                   |
|                     |   |               | L                  | 7.44                   | 8.48                   | -6.16                  | -6.44                  |
|                     |   |               | 2.4kbps            | 7.44                   | 8.48                   | -6.17                  | -6.44                  |
|                     |   | 3kΩ // 1000pF | H                  | 7.76                   | 8.88                   | -6.36                  | -6.72                  |
|                     |   |               | L                  | 7.08                   | 8                      | -5.76                  | -5.76                  |
|                     |   |               | 2.4kbps            | 7.76                   | 8.84                   | -6.4                   | -6.64                  |
| 0.047               | 0.33  | Open          | H                  | 6.44                   | 6.88                   | -5.8                   | -5.88                  |
|                     |   |               | L                  | 6.48                   | 6.88                   | -5.84                  | -5.88                  |
|                     |   |               | 2.4kbps            | 6.44                   | 6.88                   | -5.8                   | -5.88                  |
|                     |   | 3kΩ // 1000pF | H                  | 6.64                   | 7.28                   | -5.92                  | -6.04                  |
|                     |   |               | L                  | 6.24                   | 6.6                    | -5.52                  | -5.52                  |
|                     |   |               | 2.4kbps            | 6.72                   | 7.16                   | -5.92                  | -5.96                  |
| 1                   | 1   | Open          | H                  | 6.84                   | 7.6                    | -5.76                  | -5.76                  |
|                     |   |               | L                  | 6.88                   | 7.6                    | -5.76                  | -5.76                  |
|                     |   |               | 2.4kbps            | 6.92                   | 7.56                   | -5.72                  | -5.76                  |
|                     |   | 3kΩ // 1000pF | H                  | 7.28                   | 8.16                   | -5.8                   | -5.92                  |
|                     |   |               | L                  | 6.44                   | 6.84                   | -5.64                  | -6.84                  |
|                     |   |               | 2.4kbps            | 7.08                   | 7.76                   | -5.8                   | -5.8                   |

The resulting new maximum voltages at V+ and V- are listed in [Table 4](#).

**Table 4. New Measured Withstanding Voltages**

|                  |      |
|------------------|------|
| V+, V- to Ground | ±13V |
| V+ to V-         | 20V  |

## 4.2 Transmitters

The transmitters are proprietary, low dropout, inverting drivers that translate TTL/CMOS inputs to EIA/TIA-232 output levels. These transmitters are coupled with the on-chip ± 5.5V supplies and deliver true RS-232 levels across a wide range of single supply system voltages.

Except for the ICL3232, all transmitter outputs disable and assume a high impedance state when the device enters the powerdown mode (See [Table 5 on page 15](#)). These outputs can be driven to ±12V when disabled.

All devices ensure a 250kbps data rate for full load conditions (3kΩ and 1000pF), V<sub>CC</sub> ≥ 3.0V, with one transmitter operating at full speed. Under more typical conditions of V<sub>CC</sub> ≥ 3.3V, R<sub>L</sub> = 3kΩ, and C<sub>L</sub> = 250pF, one transmitter easily operates at 900kbps.

Transmitter inputs float if left unconnected and may cause I<sub>CC</sub> increases. Connect unused inputs to GND for the best performance.

## 4.3 Receivers

All the ICL32xx devices contain standard inverting receivers that three-state (except for the ICL3232) using the  $\overline{\text{EN}}$  or  $\overline{\text{FORCEOFF}}$  control lines. Additionally, the two ICL324X products include noninverting (monitor) receivers (denoted by the R<sub>OUTB</sub> label) that are always active, regardless of the state of any control lines. All the receivers convert RS-232 signals to CMOS output levels and accept inputs up to ±25V while presenting the required 3kΩ to 7kΩ input impedance (see [Figure 7](#)) even if the power is off (V<sub>CC</sub> = 0V). The receivers' Schmitt trigger input stage uses hysteresis to increase noise immunity and decrease errors due to slow input signal transitions.

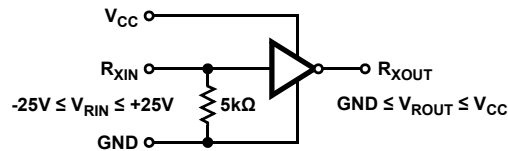


Figure 7. Inverting Receiver Connections

The ICL3221/22/23/41 inverting receivers disable only when  $\overline{EN}$  is driven high. ICL3243 receivers disable during forced (manual) powerdown, but not during automatic powerdown (See [Table 5](#)).

ICL324X monitor receivers remain active even during manual powerdown and forced receiver disable, making them extremely useful for Ring Indicator monitoring. Standard receivers driving powered down peripherals must be disabled to prevent current flow through the peripheral’s protection diodes (See [Figures 8](#) and [9](#)). When disabled, the receivers cannot be used for wake up functions, but the corresponding monitor receiver can be dedicated to this task as shown in [Figure 9 on page 17](#).

#### 4.4 Low Power Operation

The 3V devices require a nominal supply current of 0.3mA, even at  $V_{CC} = 5.5V$ , during normal operation (not in powerdown mode), which is considerably less than the 5mA to 11mA current required by comparable 5V RS-232 devices, allowing you to reduce system power simply by switching to this new family.

#### 4.5 Powerdown Functionality (Except ICL3232)

The already low current requirement drops significantly when the device enters powerdown mode. In power-down, supply current drops to 1µA, because the on-chip charge pump turns off ( $V+$  collapses to  $V_{CC}$ ,  $V-$  collapses to GND), and the transmitter outputs three-state. Inverting receiver outputs may disable in power-down; see [Table 5](#) for details. This micro-power mode makes these devices ideal for battery powered and portable applications.

##### 4.5.1 Software Controlled (Manual) Powerdown

Most devices in the ICL32xx family provide pins that allow you to force the IC into the low power, standby state.

On the ICL3222 and ICL3241, the powerdown control is using a simple shutdown ( $\overline{SHDN}$ ) pin. Driving this pin high enables normal operation, and driving it low forces the IC into its powerdown state. Connect  $\overline{SHDN}$  to  $V_{CC}$  if the powerdown function is not needed. Note that all the receiver outputs remain enabled during shutdown (See [Table 5](#)). For the lowest power consumption during powerdown, the receivers should also be disabled by driving the  $\overline{EN}$  input high (See next section, and [Figures 8](#) and [9](#)).

The ICL3221, ICL3223, and ICL3243 use a two pin approach where the  $\overline{FORCEON}$  and  $\overline{FORCEOFF}$  inputs determine the IC’s mode. For always enabled operation,  $\overline{FORCEON}$  and  $\overline{FORCEOFF}$  are both strapped high. Under logic or software control, only the  $\overline{FORCEOFF}$  input needs to be driven to switch between active and powerdown modes. The  $\overline{FORCEON}$  state is not critical because  $\overline{FORCEOFF}$  overrides  $\overline{FORCEON}$ . However, if strictly manual control over powerdown is needed, you must strap  $\overline{FORCEON}$  high to disable the automatic power-down circuitry. ICL3243 inverting (standard) receiver outputs also disable when the device is in manual powerdown, thereby eliminating the possible current path through a shutdown peripheral’s input protection diode (See [Figures 8](#) and [9](#)).

Table 5. Powerdown and Enable Logic Truth Table

| RS-232 Signal Present at Receiver Input? | $\overline{FORCEOFF}$ or $\overline{SHDN}$ Input | $\overline{FORCEON}$ Input | $\overline{EN}$ Input | Transmitter Outputs | Receiver Outputs | $R_{OUTB}$ Outputs (Note 6) | $\overline{INVALID}$ Output | Mode of Operation                 |
|--|--|----------------------------|-----------------------|---------------------|------------------|-----------------------------|-----------------------------|-----------------------------------|
| ICL3222, ICL3241                         |  |                            |                       |                     |                  |                             |                             |                                   |
| N.A.                                     | L  | N.A.                       | L                     | High-Z              | Active           | Active                      | N.A.                        | Manual Powerdown                  |
| N.A.                                     | L  | N.A.                       | H                     | High-Z              | High-Z           | Active                      | N.A.                        | Manual Powerdown w/Rcvr. Disabled |
| N.A.                                     | H  | N.A.                       | L                     | Active              | Active           | Active                      | N.A.                        | Normal Operation                  |

**Table 5. Powerdown and Enable Logic Truth Table (Continued)**

| RS-232 Signal Present at Receiver Input? | FORCEOFF or SHDN Input | FORCEON Input | $\overline{\text{EN}}$ Input | Transmitter Outputs | Receiver Outputs | R <sub>OUTB</sub> Outputs (Note 6) | $\overline{\text{INVALID}}$ Output | Mode of Operation                          |
|--|------------------------|---------------|------------------------------|---------------------|------------------|------------------------------------|------------------------------------|--|
| <b>ICL3222, ICL3241</b>                  |                        |               |                              |                     |                  |                                    |                                    |  |
| N.A.                                     | H                      | N.A.          | H                            | Active              | High-Z           | Active                             | N.A.                               | Normal Operation w/Rcvr. Disabled          |
| <b>ICL3221, ICL3223</b>                  |                        |               |                              |                     |                  |                                    |                                    |  |
| No                                       | H                      | H             | L                            | Active              | Active           | N.A.                               | L                                  | Normal Operation (Auto Powerdown Disabled) |
| No                                       | H                      | H             | H                            | Active              | High-Z           | N.A.                               | L                                  |  |
| Yes                                      | H                      | L             | L                            | Active              | Active           | N.A.                               | H                                  | Normal Operation (Auto Powerdown Enabled)  |
| Yes                                      | H                      | L             | H                            | Active              | High-Z           | N.A.                               | H                                  |  |
| No                                       | H                      | L             | L                            | High-Z              | Active           | N.A.                               | L                                  | Powerdown Due to Auto Power-Down Logic     |
| No                                       | H                      | L             | H                            | High-Z              | High-Z           | N.A.                               | L                                  |  |
| Yes                                      | L                      | X             | L                            | High-Z              | Active           | N.A.                               | H                                  | Manual Powerdown                           |
| Yes                                      | L                      | X             | H                            | High-Z              | High-Z           | N.A.                               | H                                  | Manual Powerdown w/Rcvr. Disabled          |
| No                                       | L                      | X             | L                            | High-Z              | Active           | N.A.                               | L                                  | Manual Powerdown                           |
| No                                       | L                      | X             | H                            | High-Z              | High-Z           | N.A.                               | L                                  | Manual Powerdown w/Rcvr. Disabled          |
| <b>ICL3243</b>                           |                        |               |                              |                     |                  |                                    |                                    |  |
| No                                       | H                      | H             | N.A.                         | Active              | Active           | Active                             | L                                  | Normal Operation (Auto Powerdown Disabled) |
| Yes                                      | H                      | L             | N.A.                         | Active              | Active           | Active                             | H                                  | Normal Operation (Auto Powerdown Enabled)  |
| No                                       | H                      | L             | N.A.                         | High-Z              | Active           | Active                             | L                                  | Powerdown Due to Auto Power-Down Logic     |
| Yes                                      | L                      | X             | N.A.                         | High-Z              | High-Z           | Active                             | H                                  | Manual Powerdown                           |
| No                                       | L                      | X             | N.A.                         | High-Z              | High-Z           | Active                             | L                                  | Manual Powerdown                           |

Note:

6. Applies only to the ICL3241 and ICL3243.

## 4.5.2 $\overline{\text{INVALID}}$ Output

The  $\overline{\text{INVALID}}$  output always indicates whether a valid RS-232 signal is present at any of the receiver inputs (See [Table 5](#)), giving you a way to determine when the interface block should power down. In the case of a disconnected interface cable where all the receiver inputs are floating (but pulled to GND by the internal receiver pull down resistors), the  $\overline{\text{INVALID}}$  logic detects the invalid levels and drives the output low. The power management logic then uses this indicator to power down the interface block. Reconnecting the cable restores valid levels at the receiver inputs,  $\overline{\text{INVALID}}$  switches high, and the power management logic wakes up the interface block.  $\overline{\text{INVALID}}$  can also be used to indicate the DTR or RING INDICATOR signal as long as the other receiver inputs are floating or driven to GND (as in the case of a powered down driver). Connecting  $\overline{\text{FORCEOFF}}$  and  $\overline{\text{FORCEON}}$  together disables the automatic powerdown feature, enabling them to function as a manual SHUTDOWN input (See [Figure 10](#)).





Figure 8. Power Drain Through Powered Down Peripheral



Figure 9. Disabled Receivers Prevent Power Drain



Figure 10. Connections for Manual Powerdown when No Valid Receiver Signals are Present

With any of the above control schemes, the time required to exit powerdown and resume transmission is only 100µs. A mouse or other application may need more time to wake up from shutdown. If automatic powerdown is being used, the RS-232 device reenters powerdown if valid receiver levels are not re-established within 30µs of the ICL32xx powering up. [Figure 11 on page 18](#) shows a circuit that keeps the ICL32xx from initiating automatic

power-down for 100ms after powering up, which gives the slow-to-wake peripheral circuit time to re-establish valid RS-232 output levels.



Figure 11. Circuit to Prevent Auto Powerdown for 100ms After Forced Power-UP

### 4.5.3 Automatic Powerdown (ICL3221/23/43 Only)

Even greater power savings are available by using the ICL3221, ICL3223, or ICL3243's automatic powerdown function. When no valid RS-232 voltages (See Figure 12) are sensed on any receiver input for 30µs, the charge-pump and transmitters powerdown, thereby reducing supply current to 1µA. Invalid receiver levels occur whenever the driving peripheral's outputs are shut off (powered down) or when the RS-232 interface cable is disconnected. The ICL32xx devices power back up whenever they detect a valid RS-232 voltage level on any receiver input, which provides additional system power savings without changes to the existing operating system.



Figure 12. Definition of Valid RS-232 Receiver Levels

Automatic powerdown operates when the FORCEON input is low, and the FORCEOFF input is high. Tying FORCEON high disables automatic powerdown, but manual powerdown is always available using the overriding FORCEOFF input. Table 5 on page 15 summarizes the automatic powerdown functionality.

Devices with the automatic powerdown feature include an INVALID output signal, which switches low to indicate that invalid levels have persisted on all of the receiver inputs for more than 30µs (See Figure 13). INVALID switches high 1µs after detecting a valid RS-232 level on a receiver input. INVALID operates in all modes (forced or automatic powerdown, or forced on), so it is also useful for systems employing manual powerdown circuitry. When automatic powerdown is used, INVALID = 0 indicates that the ICL32xx is in powerdown mode.



Figure 13. Automatic Powerdown and  $\overline{\text{INVALID}}$  Timing Diagrams

The time to recover from automatic powerdown mode is typically 100 $\mu\text{s}$ .

#### 4.6 Receiver ENABLE Control (ICL3221/22/23/41 Only)

ICL3221, ICL3222, ICL3223, and ICL3241 also feature an  $\overline{\text{EN}}$  input to control the receiver outputs. Driving  $\overline{\text{EN}}$  high disables all the inverting (standard) receiver outputs placing them in a high impedance state, which is useful to eliminate supply current, due to a receiver output forward biasing the protection diode, when driving the input of a powered down ( $V_{\text{CC}} = \text{GND}$ ) peripheral (See [Figure 8 on page 17](#)). The enable input has no effect on transmitter nor monitor ( $R_{\text{OUTB}}$ ) outputs.

#### 4.7 Capacitor Selection

The charge pumps require 0.1 $\mu\text{F}$  capacitors for 3.3V operation. For other supply voltages see [Table 6](#) for capacitor values. Do not use values smaller than those listed in [Table 6](#). Increasing the capacitor values (by a factor of 2) reduces ripple on the transmitter outputs and slightly reduces power consumption.  $C_2$ ,  $C_3$ , and  $C_4$  can be increased without increasing  $C_1$ 's value; however, do not increase  $C_1$  without also increasing  $C_2$ ,  $C_3$ , and  $C_4$  to maintain the proper ratios ( $C_1$  to the other capacitors).

When using minimum required capacitor values, make sure that capacitor values do not degrade excessively with temperature. If in doubt, use capacitors with a larger nominal value. The capacitor's Equivalent Series Resistance (ESR) usually rises at low temperatures and it influences the amount of ripple on  $V_+$  and  $V_-$ .

Table 6. Required Capacitor Values

| $V_{\text{CC}}$ (V) | $C_1$ ( $\mu\text{F}$ ) | $C_2, C_3, C_4$ ( $\mu\text{F}$ ) |
|---------------------|-------------------------|-----------------------------------|
| 3.0 to 3.6          | 0.1                     | 0.1                               |
| 4.5 to 5.5          | 0.047                   | 0.33                              |
| 3.0 to 5.5          | 0.1                     | 0.47                              |

#### 4.8 Power Supply Decoupling

In most circumstances a 0.1 $\mu\text{F}$  bypass capacitor is adequate. In applications that are particularly sensitive to power supply noise, decouple  $V_{\text{CC}}$  to ground with a capacitor of the same value as the charge-pump capacitor  $C_1$ . Connect the bypass capacitor as close as possible to the IC.

#### 4.9 Operation Down to 2.7V

ICL32xx transmitter outputs meet RS-562 levels ( $\pm 3.7\text{V}$ ), at full data rate, with  $V_{\text{CC}}$  as low as 2.7V. RS-562 levels typically ensure interoperability with RS-232 devices.

### 4.10 Transmitter Outputs when Exiting Powerdown

Figure 14 shows the response of two transmitter outputs when exiting powerdown mode. As they activate, the two transmitter outputs properly go to opposite RS-232 levels, with no glitching, ringing, nor undesirable transients. Each transmitter is loaded with 3kΩ in parallel with 2500pF. Note that the transmitters enable only when the magnitude of the supplies exceed approximately 3V.

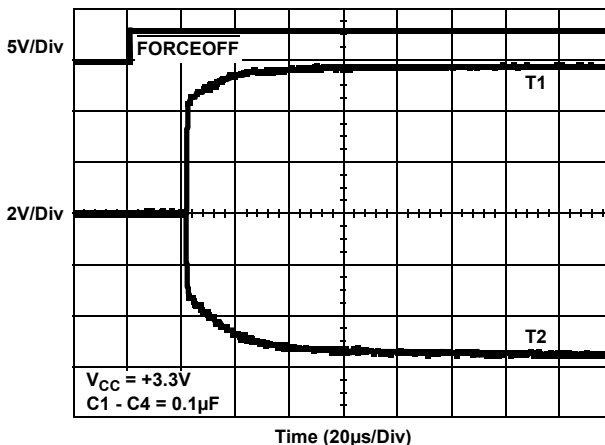


Figure 14. Transmitter Outputs when Exiting Powerdown

### 4.11 Mouse Driveability

The ICL324X have been specifically designed to power a serial mouse while operating from low voltage supplies. Figure 15 shows the transmitter output voltages under increasing load current. The on-chip switching regulator ensures the transmitters will supply at least ±5V during worst case conditions (15mA for paralleled V+ transmitters, 7.3mA for single V- transmitter). The Automatic Powerdown feature does not work with a mouse, so FORCEOFF and FORCEON should be connected to V<sub>CC</sub>.



Figure 15. Transmitter Output Voltage vs Load Current (per Transmitter, Such as, Double Current Axis for Total V<sub>OUT+</sub> Current)

### 4.12 High Data Rates

The ICL32xx maintain the RS-232 ±5V minimum transmitter output voltages even at high data rates. Figure 16 details a transmitter loopback test circuit, and Figure 17 illustrates the loopback test result at 120kbps. For this test, all transmitters were simultaneously driving RS-232 loads in parallel with 1000pF at 120kbps. Figure 18 shows the loopback results for a single transmitter driving 1000pF and an RS-232 load at 250kbps. The static transmitters were also loaded with an RS-232 receiver.

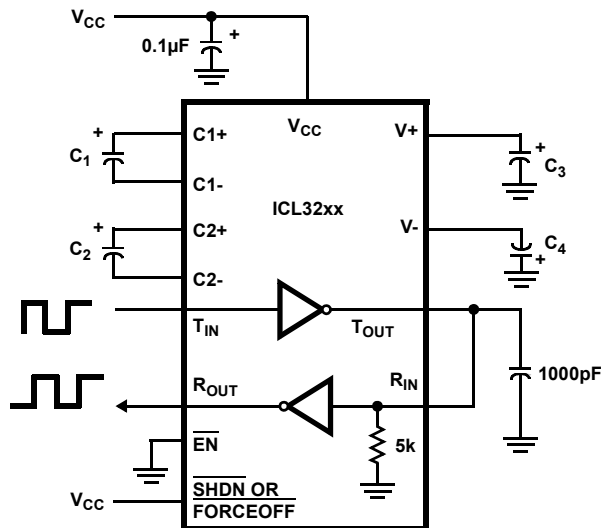


Figure 16. Transmitter Loopback Test Circuit

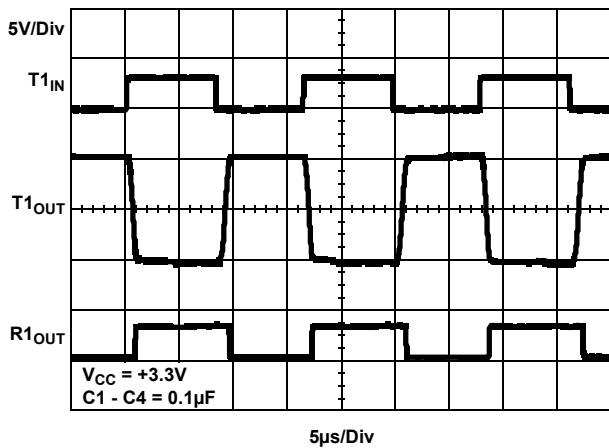


Figure 17. Loopback Test at 120kbps

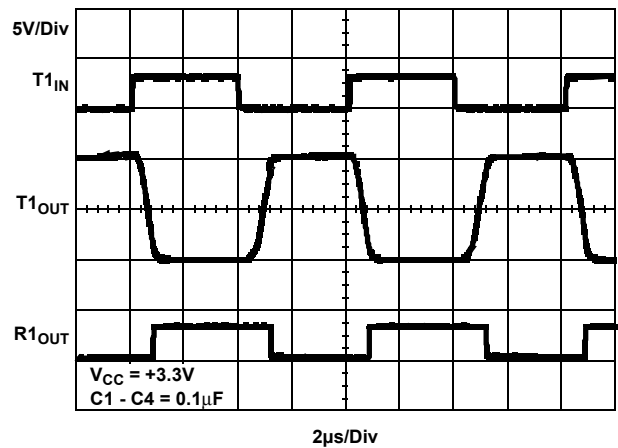


Figure 18. Loopback Test at 250kbps

### 4.13 Interconnection with 3V and 5V Logic

The ICL32xx directly interface with 5V CMOS and TTL logic families. With the ICL32xx at 3.3V, and the logic supply at 5V, AC, HC, and CD4000 outputs can drive ICL32xx inputs, but ICL32xx outputs do not reach the minimum  $V_{IH}$  for these logic families. See [Table 7](#) for more information.

Table 7. Logic Family Compatibility with Various Supply Voltages

| System Power-Supply Voltage (V) | V <sub>CC</sub> Supply Voltage (V) | Compatibility   |
|---------------------------------|------------------------------------|---|
| 3.3                             | 3.3                                | Compatible with all CMOS families.  |
| 5                               | 5                                  | Compatible with all TTL and CMOS logic families.  |
| 5                               | 3.3                                | Compatible with ACT and HCT CMOS, and with TTL. ICL32xx outputs are incompatible with AC, HC, and CD4000 CMOS inputs. |

#### 4.14 Pin Compatible Replacements For 5V Devices

The ICL3221/22/32 are pin compatible with existing 5V RS-232 transceivers (see the [“Features” on page 1](#) for details), which coupled with the low  $I_{CC}$  and wide operating supply range, make the ICL32xx potential lower power, higher performance, drop-in replacements for existing 5V applications. As long as the  $\pm 5V$  RS-232 output swings are acceptable, and transmitter input pull-up resistors are not required, the ICL32xx should work in most 5V applications.

When replacing a device in an existing 5V application, it is acceptable to terminate  $C_3$  to  $V_{CC}$  as shown on the [“Typical Operating Circuits” on page 3](#). Terminate  $C_3$  to GND if possible, as slightly better performance results from this configuration.

## 5. Die Characteristics

|                                  |  |
|----------------------------------|--|
| Substrate Potential (Powered Up) | GND  |
| Transistor Count                 | ICL3221: 286<br>ICL3222: 338<br>ICL3223: 357<br>ICL3232: 296<br>ICL324X: 464 |
| Process                          | Si Gate CMOS   |

## 6. Revision History

| Rev. | Date         | Description   |
|------|--------------|---|
| 23   | Apr 26, 2019 | Updated to latest formatting.<br>Added Related Literature section.<br>Updated Ordering information table by adding active tape and reel information, updated notes, adding note 3, removed retired parts, and stamped EOL parts.<br>Added "Charge Pump Absolute Maximum Ratings" on page 13.<br>Removed About Intersil section.<br>Updated M16.15 to the latest revision changes are as follows:<br>Update graphics to new standard layout, removing the dimension table.<br>Updated disclaimer.  |
| 22   | Sep 1, 2015  | <ul style="list-style-type: none"> <li>- Ordering Information Table on page 2.</li> <li>- Added Revision History.</li> <li>- Added About Intersil Verbiage.</li> <li>- Updated POD M16.173 to latest revision changes are as follow:<br/>                         Convert to new POD format by moving dimensions from table onto drawing and adding land pattern. No dimension changes.</li> <li>- Updated POD M20.173 to most current version changes are as follow:<br/>                         Convert to new POD format by moving dimensions from table onto drawing and adding land pattern. No dimension changes.</li> <li>- Updated POD M28.173 to most current version changes are as follow:<br/>                         Convert to new POD format by moving dimensions from table onto drawing and adding land pattern. No dimension changes.</li> <li>-Updated POD M28.3 to most current version change is as follows:<br/>                         Added land pattern.</li> </ul> |



## 7. Package Outline Drawings

For the most recent package outline drawing, see [E16.3](#).



**Notes:**

- Controlling Dimensions: INCH. In case of conflict between English and Metric dimensions, the inch dimensions control.
- Dimensioning and tolerancing per ANSI Y14.5M-1982.
- Symbols are defined in the "MO Series Symbol List" in Section 2.2 of Publication No. 95.
- Dimensions A, A1 and L are measured with the package seated in JEDEC seating plane gauge GS-3.
- D, D1, and E1 dimensions do not include mold flash or protrusions. Mold flash or protrusions shall not exceed 0.010 inch (0.25mm).
- E and  $e_A$  are measured with the leads constrained to be perpendicular to datum  $-C-$ .
- $e_B$  and  $e_C$  are measured at the lead tips with the leads unconstrained.  $e_C$  must be zero or greater.
- B1 maximum dimensions do not include dambar protrusions. Dambar protrusions shall not exceed 0.010 inch (0.25mm).
- N is the maximum number of terminal positions.
- Corner leads (1, N, N/2 and N/2 + 1) for E8.3, E16.3, E18.3, E28.3, E42.6 will have a B1 dimension of 0.030 - 0.045 inch (0.76 - 1.14mm).

**E16.3 (JEDEC MS-001-BB ISSUE D)  
16 LEAD DUAL-IN-LINE PLASTIC PACKAGE (PDIP)**

| SYMBOL | INCHES    |       | MILLIMETERS |       | NOTES |
|--------|-----------|-------|-------------|-------|-------|
|        | MIN       | MAX   | MIN         | MAX   |       |
| A      | -         | 0.210 | -           | 5.33  | 4     |
| A1     | 0.015     | -     | 0.39        | -     | 4     |
| A2     | 0.115     | 0.195 | 2.93        | 4.95  | -     |
| B      | 0.014     | 0.022 | 0.356       | 0.558 | -     |
| B1     | 0.045     | 0.070 | 1.15        | 1.77  | 8, 10 |
| C      | 0.008     | 0.014 | 0.204       | 0.355 | -     |
| D      | 0.735     | 0.775 | 18.66       | 19.68 | 5     |
| D1     | 0.005     | -     | 0.13        | -     | 5     |
| E      | 0.300     | 0.325 | 7.62        | 8.25  | 6     |
| E1     | 0.240     | 0.280 | 6.10        | 7.11  | 5     |
| e      | 0.100 BSC |       | 2.54 BSC    |       | -     |
| $e_A$  | 0.300 BSC |       | 7.62 BSC    |       | 6     |
| $e_B$  | -         | 0.430 | -           | 10.92 | 7     |
| L      | 0.115     | 0.150 | 2.93        | 3.81  | 4     |
| N      | 16        |       | 16          |       | 9     |

Rev. 0 12/93

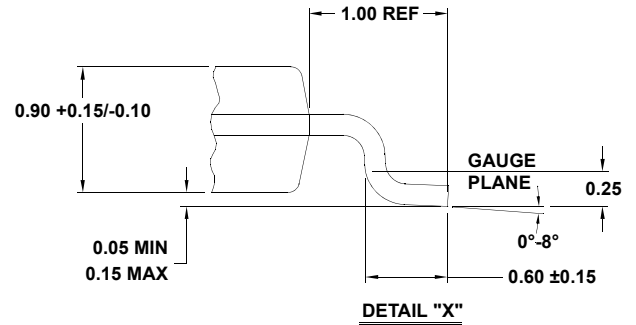
M16.15 (JEDEC MS-012-AC ISSUE C)  
 16 Lead Narrow Body Small Outline Plastic Package  
 Rev 2, 11/17

For the most recent package outline drawing, see [M16.15](#).



M16.173  
 16 Lead Thin Shrink Small Outline Package (TSSOP)  
 Rev 2, 5/10

For the most recent package outline drawing, see [M16.173](#).



**NOTES:**

1. Dimension does not include mold flash, protrusions or gate burrs. Mold flash, protrusions or gate burrs shall not exceed 0.15 per side.
2. Dimension does not include interlead flash or protrusion. Interlead flash or protrusion shall not exceed 0.25 per side.
3. Dimensions are measured at datum plane H.
4. Dimensioning and tolerancing per ASME Y14.5M-1994.
5. Dimension does not include dambar protrusion. Allowable protrusion shall be 0.08mm total in excess of dimension at maximum material condition. Minimum space between protrusion and adjacent lead is 0.07mm.
6. Dimension in ( ) are for reference only.
7. Conforms to JEDEC MO-153.

For the most recent package outline drawing, see [M16.209](#).



**M16.209 (JEDEC MO-150-AC ISSUE B)**  
**16 Lead Shrink Small Outline Plastic Package (SSOP)**

| SYMBOL | INCHES    |       | MILLIMETERS |      | NOTES |
|--------|-----------|-------|-------------|------|-------|
|        | MIN       | MAX   | MIN         | MAX  |       |
| A      | -         | 0.078 | -           | 2.00 | -     |
| A1     | 0.002     | -     | 0.05        | -    | -     |
| A2     | 0.065     | 0.072 | 1.65        | 1.85 | -     |
| B      | 0.009     | 0.014 | 0.22        | 0.38 | 9     |
| C      | 0.004     | 0.009 | 0.09        | 0.25 | -     |
| D      | 0.233     | 0.255 | 5.90        | 6.50 | 3     |
| E      | 0.197     | 0.220 | 5.00        | 5.60 | 4     |
| e      | 0.026 BSC |       | 0.65 BSC    |      | -     |
| H      | 0.292     | 0.322 | 7.40        | 8.20 | -     |
| L      | 0.022     | 0.037 | 0.55        | 0.95 | 6     |
| N      | 16        |       | 16          |      | 7     |
| α      | 0°        | 8°    | 0°          | 8°   | -     |

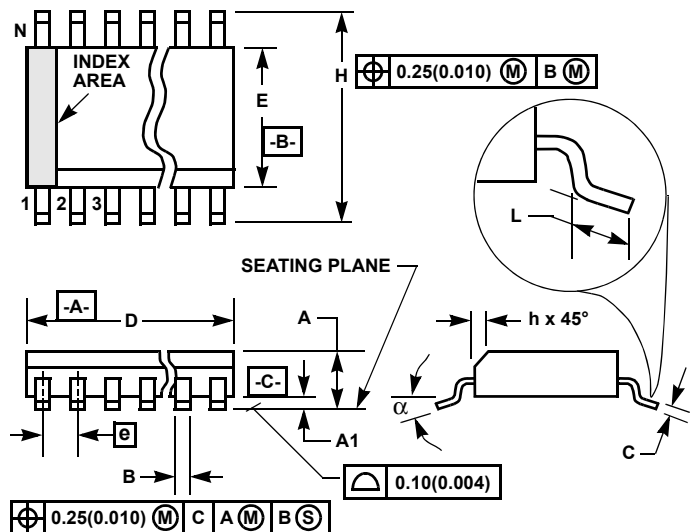
Rev. 3 6/05

Notes:

1. Symbols are defined in the "MO Series Symbol List" in Section 2.2 of Publication Number 95.
2. Dimensioning and tolerancing per ANSI Y14.5M-1982.
3. Dimension "D" does not include mold flash, protrusions or gate burrs. Mold flash, protrusion and gate burrs shall not exceed 0.20mm (0.0078 inch) per side.
4. Dimension "E" does not include interlead flash or protrusions. Interlead flash and protrusions shall not exceed 0.20mm (0.0078 inch) per side.
5. The chamfer on the body is optional. If it is not present, a visual index feature must be located within the crosshatched area.
6. "L" is the length of terminal for soldering to a substrate.
7. "N" is the number of terminal positions.
8. Terminal numbers are shown for reference only.
9. Dimension "B" does not include dambar protrusion. Allowable dambar protrusion shall be 0.13mm (0.005 inch) total in excess of "B" dimension at maximum material condition.
10. Controlling dimension: MILLIMETER. Converted inch dimensions are not necessarily exact.

For the most recent package outline drawing, see [M16.3](#).

**M16.3 (JEDEC MS-013-AA ISSUE C)**  
**16 Lead Wide Body Small Outline Plastic Package (SOIC)**



| SYMBOL | INCHES    |        | MILLIMETERS |       | NOTES |
|--------|-----------|--------|-------------|-------|-------|
|        | MIN       | MAX    | MIN         | MAX   |       |
| A      | 0.0926    | 0.1043 | 2.35        | 2.65  | -     |
| A1     | 0.0040    | 0.0118 | 0.10        | 0.30  | -     |
| B      | 0.013     | 0.0200 | 0.33        | 0.51  | 9     |
| C      | 0.0091    | 0.0125 | 0.23        | 0.32  | -     |
| D      | 0.3977    | 0.4133 | 10.10       | 10.50 | 3     |
| E      | 0.2914    | 0.2992 | 7.40        | 7.60  | 4     |
| e      | 0.050 BSC |        | 1.27 BSC    |       | -     |
| H      | 0.394     | 0.419  | 10.00       | 10.65 | -     |
| h      | 0.010     | 0.029  | 0.25        | 0.75  | 5     |
| L      | 0.016     | 0.050  | 0.40        | 1.27  | 6     |
| N      | 16        |        | 16          |       | 7     |
| alpha  | 0°        | 8°     | 0°          | 8°    | -     |

Rev. 1 6/05

Notes:

1. Symbols are defined in the "MO Series Symbol List" in Section 2.2 of Publication Number 95.
2. Dimensioning and tolerancing per ANSI Y14.5M-1982.
3. Dimension "D" does not include mold flash, protrusions or gate burrs. Mold flash, protrusion and gate burrs shall not exceed 0.15mm (0.006 inch) per side.
4. Dimension "E" does not include interlead flash or protrusions. Interlead flash and protrusions shall not exceed 0.25mm (0.010 inch) per side.
5. The chamfer on the body is optional. If it is not present, a visual index feature must be located within the crosshatched area.
6. "L" is the length of terminal for soldering to a substrate.
7. "N" is the number of terminal positions.
8. Terminal numbers are shown for reference only.
9. The lead width "B", as measured 0.36mm (0.014 inch) or greater above the seating plane, shall not exceed a maximum value of 0.61mm (0.024 inch)
10. Controlling dimension: MILLIMETER. Converted inch dimensions are not necessarily exact.

For the most recent package outline drawing, see [M18.3](#).

**M18.3 (JEDEC MS-013-AB ISSUE C)**  
**18 Lead Wide Body Small Outline Plastic Package (SOIC)**



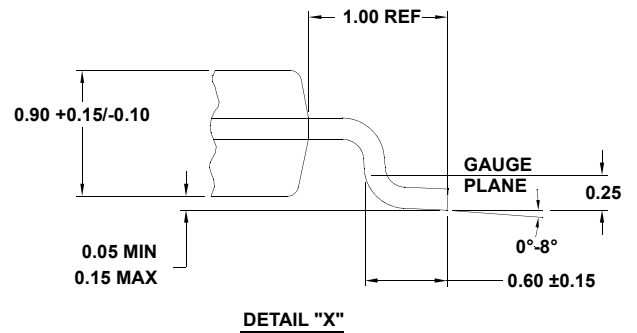
Rev. 1 6/05

Notes:

1. Symbols are defined in the "MO Series Symbol List" in Section 2.2 of Publication Number 95.
2. Dimensioning and tolerancing per ANSI Y14.5M-1982.
3. Dimension "D" does not include mold flash, protrusions or gate burrs. Mold flash, protrusion and gate burrs shall not exceed 0.15mm (0.006 inch) per side.
4. Dimension "E" does not include interlead flash or protrusions. Interlead flash and protrusions shall not exceed 0.25mm (0.010 inch) per side.
5. The chamfer on the body is optional. If it is not present, a visual index feature must be located within the crosshatched area.
6. "L" is the length of terminal for soldering to a substrate.
7. "N" is the number of terminal positions.
8. Terminal numbers are shown for reference only.
9. The lead width "B", as measured 0.36mm (0.014 inch) or greater above the seating plane, shall not exceed a maximum value of 0.61mm (0.024 inch)
10. Controlling dimension: MILLIMETER. Converted inch dimensions are not necessarily exact.

M20.173  
 20 Lead Thin Shrink Small Outline Package (TSSOP)  
 Rev 2, 5/10

For the most recent package outline drawing, see [M20.173](#).



**NOTES:**

1. Dimension does not include mold flash, protrusions or gate burrs. Mold flash, protrusions or gate burrs shall not exceed 0.15 mm per side.
2. Dimension does not include interlead flash or protrusion. Interlead flash or protrusion shall not exceed 0.25 mm per side.
3. Dimensions are measured at datum plane H.
4. Dimensioning and tolerancing per ASME Y14.5M-1994.
5. Dimension does not include dambar protrusion. Allowable protrusion shall be 0.08mm total in excess of dimension at maximum material condition. Minimum space between protrusion and adjacent lead is 0.07mm.
6. Dimension in ( ) are for reference only.
7. Conforms to JEDEC MO-153.

For the most recent package outline drawing, see [M20.209](#).

**M20.209 (JEDEC MO-150-AE ISSUE B)**  
**20 Lead Shrink Small Outline Plastic Package (SSOP)**



| SYMBOL   | INCHES    |        | MILLIMETERS |        | NOTES |
|----------|-----------|--------|-------------|--------|-------|
|          | MIN       | MAX    | MIN         | MAX    |       |
| A        | 0.068     | 0.078  | 1.73        | 1.99   |       |
| A1       | 0.002     | 0.008  | 0.05        | 0.21   |       |
| A2       | 0.066     | 0.070  | 1.68        | 1.78   |       |
| B        | 0.010     | 0.015  | 0.25        | 0.38   | 9     |
| C        | 0.004     | 0.008  | 0.09        | 0.20   |       |
| D        | 0.278     | 0.289  | 7.07        | 7.33   | 3     |
| E        | 0.205     | 0.212  | 5.20        | 5.38   | 4     |
| e        | 0.026 BSC |        | 0.65 BSC    |        |       |
| H        | 0.301     | 0.311  | 7.65        | 7.90   |       |
| L        | 0.025     | 0.037  | 0.63        | 0.95   | 6     |
| N        | 20        |        | 20          |        | 7     |
| $\alpha$ | 0 deg.    | 8 deg. | 0 deg.      | 8 deg. |       |

Rev. 3 11/02

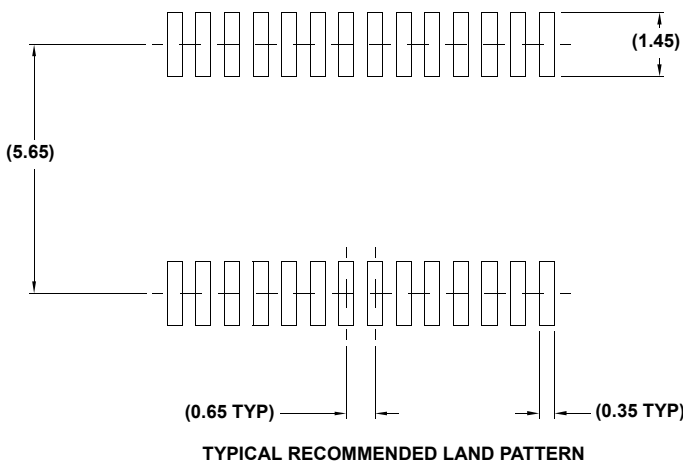
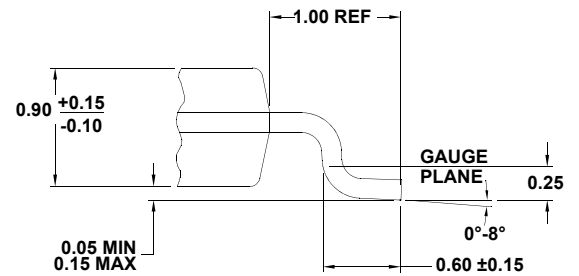
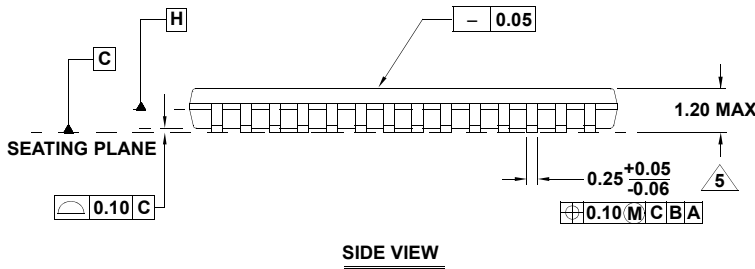
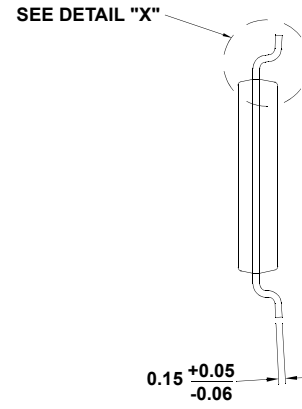
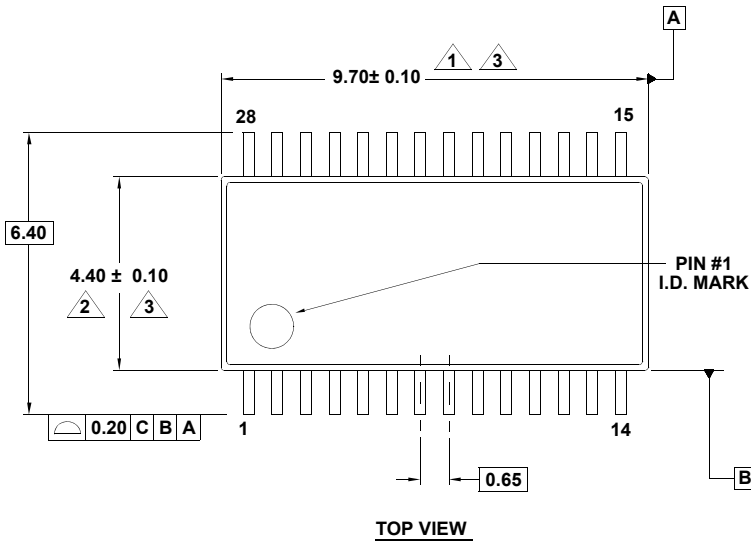
Notes:

1. Symbols are defined in the "MO Series Symbol List" in Section 2.2 of Publication Number 95.
2. Dimensioning and tolerancing per ANSI Y14.5M-1982.
3. Dimension "D" does not include mold flash, protrusions or gate burrs. Mold flash, protrusion and gate burrs shall not exceed 0.20mm (0.0078 inch) per side.
4. Dimension "E" does not include interlead flash or protrusions. Interlead flash and protrusions shall not exceed 0.20mm (0.0078 inch) per side.
5. The chamfer on the body is optional. If it is not present, a visual index feature must be located within the crosshatched area.
6. "L" is the length of terminal for soldering to a substrate.
7. "N" is the number of terminal positions.
8. Terminal numbers are shown for reference only.
9. Dimension "B" does not include dambar protrusion. Allowable dambar protrusion shall be 0.13mm (0.005 inch) total in excess of "B" dimension at maximum material condition.
10. Controlling dimension: MILLIMETER. Converted inch dimensions are not necessarily exact.



M28.173  
 28 Lead Thin Shrink Small Outline Package (TSSOP)  
 Rev 1, 5/10

For the most recent package outline drawing, see [M28.173](#).

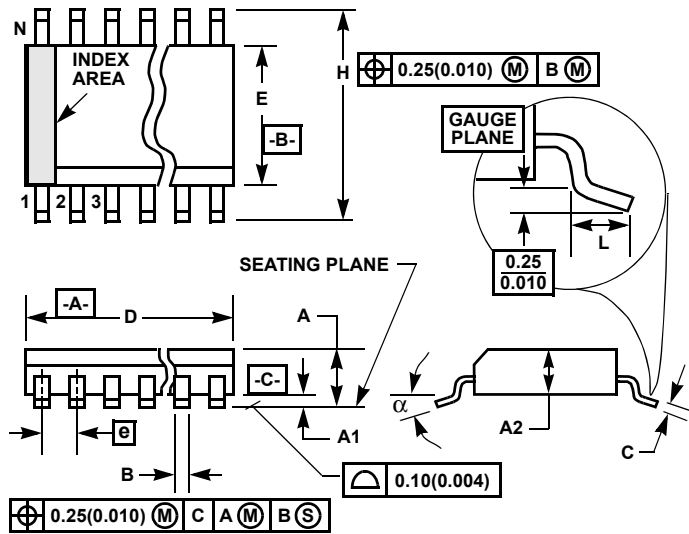


**NOTES:**

1. Dimension does not include mold flash, protrusions or gate burrs. Mold flash, protrusions or gate burrs shall not exceed 0.15 per side.
2. Dimension does not include interlead flash or protrusion. Interlead flash or protrusion shall not exceed 0.25 per side.
3. Dimensions are measured at datum plane H.
4. Dimensioning and tolerancing per ASME Y14.5M-1994.
5. Dimension does not include dambar protrusion. Allowable protrusion shall be 0.08mm total in excess of dimension at maximum material condition. Minimum space between protrusion and adjacent lead is 0.07mm.
6. Dimension in ( ) are for reference only.
7. Conforms to JEDEC MO-153.

For the most recent package outline drawing, see [M28.209](#).

**M28.209 (JEDEC MO-150-AH ISSUE B)**  
**28 Lead Shrink Small Outline Plastic Package (SSOP)**



| SYMBOL | INCHES    |       | MILLIMETERS |       | NOTES |
|--------|-----------|-------|-------------|-------|-------|
|        | MIN       | MAX   | MIN         | MAX   |       |
| A      | -         | 0.078 | -           | 2.00  | -     |
| A1     | 0.002     | -     | 0.05        | -     | -     |
| A2     | 0.065     | 0.072 | 1.65        | 1.85  | -     |
| B      | 0.009     | 0.014 | 0.22        | 0.38  | 9     |
| C      | 0.004     | 0.009 | 0.09        | 0.25  | -     |
| D      | 0.390     | 0.413 | 9.90        | 10.50 | 3     |
| E      | 0.197     | 0.220 | 5.00        | 5.60  | 4     |
| e      | 0.026 BSC |       | 0.65 BSC    |       | -     |
| H      | 0.292     | 0.322 | 7.40        | 8.20  | -     |
| L      | 0.022     | 0.037 | 0.55        | 0.95  | 6     |
| N      | 28        |       | 28          |       | 7     |
| α      | 0°        | 8°    | 0°          | 8°    | -     |

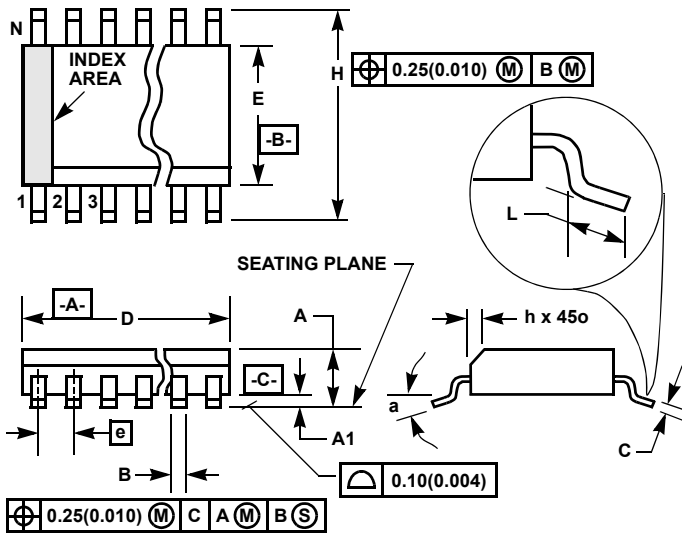
Rev. 2 6/05

Notes:

1. Symbols are defined in the "MO Series Symbol List" in Section 2.2 of Publication Number 95.
2. Dimensioning and tolerancing per ANSI Y14.5M-1982.
3. Dimension "D" does not include mold flash, protrusions or gate burrs. Mold flash, protrusion and gate burrs shall not exceed 0.20mm (0.0078 inch) per side.
4. Dimension "E" does not include interlead flash or protrusions. Interlead flash and protrusions shall not exceed 0.20mm (0.0078 inch) per side.
5. The chamfer on the body is optional. If it is not present, a visual index feature must be located within the crosshatched area.
6. "L" is the length of terminal for soldering to a substrate.
7. "N" is the number of terminal positions.
8. Terminal numbers are shown for reference only.
9. Dimension "B" does not include dambar protrusion. Allowable dambar protrusion shall be 0.13mm (0.005 inch) total in excess of "B" dimension at maximum material condition.
10. Controlling dimension: MILLIMETER. Converted inch dimensions are not necessarily exact.

For the most recent package outline drawing, see [M28.3](#).

**M28.3 (JEDEC MS-013-AE ISSUE C)**  
**28 Lead Wide Body Small Outline Plastic Package (SOIC)**



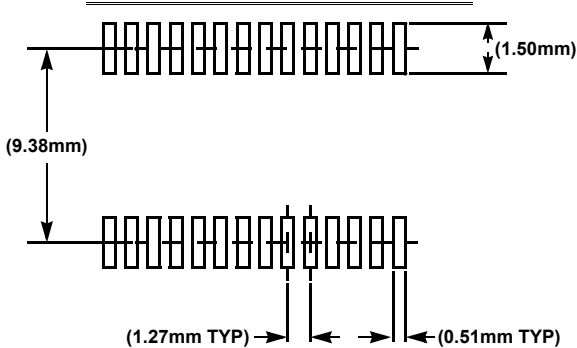
| SYMBOL | INCHES   |        | MILLIMETERS |       | NOTES |
|--------|----------|--------|-------------|-------|-------|
|        | MIN      | MAX    | MIN         | MAX   |       |
| A      | 0.0926   | 0.1043 | 2.35        | 2.65  | -     |
| A1     | 0.0040   | 0.0118 | 0.10        | 0.30  | -     |
| B      | 0.013    | 0.0200 | 0.33        | 0.51  | 9     |
| C      | 0.0091   | 0.0125 | 0.23        | 0.32  | -     |
| D      | 0.6969   | 0.7125 | 17.70       | 18.10 | 3     |
| E      | 0.2914   | 0.2992 | 7.40        | 7.60  | 4     |
| e      | 0.05 BSC |        | 1.27 BSC    |       | -     |
| H      | 0.394    | 0.419  | 10.00       | 10.65 | -     |
| h      | 0.01     | 0.029  | 0.25        | 0.75  | 5     |
| L      | 0.016    | 0.050  | 0.40        | 1.27  | 6     |
| N      | 28       |        | 28          |       | 7     |
| α      | 0°       | 8°     | 0°          | 8°    | -     |

Rev. 1, 1/13

Notes:

1. Symbols are defined in the "MO Series Symbol List" in Section 2.2 of Publication Number 95.
2. Dimensioning and tolerancing per ANSI Y14.5M-1982.
3. Dimension "D" does not include mold flash, protrusions or gate burrs. Mold flash, protrusion and gate burrs shall not exceed 0.15mm (0.006 inch) per side.
4. Dimension "E" does not include interlead flash or protrusions. Interlead flash and protrusions shall not exceed 0.25mm (0.010 inch) per side.
5. The chamfer on the body is optional. If it is not present, a visual index feature must be located within the crosshatched area.
6. "L" is the length of terminal for soldering to a substrate.
7. "N" is the number of terminal positions.
8. Terminal numbers are shown for reference only.
9. The lead width "B", as measured 0.36mm (0.014 inch) or greater above the seating plane, shall not exceed a maximum value of 0.61mm (0.024 inch)
10. Controlling dimension: MILLIMETER. Converted inch dimensions are not necessarily exact.

TYPICAL RECOMMENDED LAND PATTERN



## Notice

1. Descriptions of circuits, software and other related information in this document are provided only to illustrate the operation of semiconductor products and application examples. You are fully responsible for the incorporation or any other use of the circuits, software, and information in the design of your product or system. Renesas Electronics disclaims any and all liability for any losses and damages incurred by you or third parties arising from the use of these circuits, software, or information.
2. Renesas Electronics hereby expressly disclaims any warranties against and liability for infringement or any other claims involving patents, copyrights, or other intellectual property rights of third parties, by or arising from the use of Renesas Electronics products or technical information described in this document, including but not limited to, the product data, drawings, charts, programs, algorithms, and application examples.
3. No license, express, implied or otherwise, is granted hereby under any patents, copyrights or other intellectual property rights of Renesas Electronics or others.
4. You shall not alter, modify, copy, or reverse engineer any Renesas Electronics product, whether in whole or in part. Renesas Electronics disclaims any and all liability for any losses or damages incurred by you or third parties arising from such alteration, modification, copying or reverse engineering.
5. Renesas Electronics products are classified according to the following two quality grades: "Standard" and "High Quality". The intended applications for each Renesas Electronics product depends on the product's quality grade, as indicated below.
  - "Standard": Computers; office equipment; communications equipment; test and measurement equipment; audio and visual equipment; home electronic appliances; machine tools; personal electronic equipment; industrial robots; etc.
  - "High Quality": Transportation equipment (automobiles, trains, ships, etc.); traffic control (traffic lights); large-scale communication equipment; key financial terminal systems; safety control equipment; etc.Unless expressly designated as a high reliability product or a product for harsh environments in a Renesas Electronics data sheet or other Renesas Electronics document, Renesas Electronics products are not intended or authorized for use in products or systems that may pose a direct threat to human life or bodily injury (artificial life support devices or systems; surgical implantations; etc.), or may cause serious property damage (space system; undersea repeaters; nuclear power control systems; aircraft control systems; key plant systems; military equipment; etc.). Renesas Electronics disclaims any and all liability for any damages or losses incurred by you or any third parties arising from the use of any Renesas Electronics product that is inconsistent with any Renesas Electronics data sheet, user's manual or other Renesas Electronics document.
6. When using Renesas Electronics products, refer to the latest product information (data sheets, user's manuals, application notes, "General Notes for Handling and Using Semiconductor Devices" in the reliability handbook, etc.), and ensure that usage conditions are within the ranges specified by Renesas Electronics with respect to maximum ratings, operating power supply voltage range, heat dissipation characteristics, installation, etc. Renesas Electronics disclaims any and all liability for any malfunctions, failure or accident arising out of the use of Renesas Electronics products outside of such specified ranges.
7. Although Renesas Electronics endeavors to improve the quality and reliability of Renesas Electronics products, semiconductor products have specific characteristics, such as the occurrence of failure at a certain rate and malfunctions under certain use conditions. Unless designated as a high reliability product or a product for harsh environments in a Renesas Electronics data sheet or other Renesas Electronics document, Renesas Electronics products are not subject to radiation resistance design. You are responsible for implementing safety measures to guard against the possibility of bodily injury, injury or damage caused by fire, and/or danger to the public in the event of a failure or malfunction of Renesas Electronics products, such as safety design for hardware and software, including but not limited to redundancy, fire control and malfunction prevention, appropriate treatment for aging degradation or any other appropriate measures. Because the evaluation of microcomputer software alone is very difficult and impractical, you are responsible for evaluating the safety of the final products or systems manufactured by you.
8. Please contact a Renesas Electronics sales office for details as to environmental matters such as the environmental compatibility of each Renesas Electronics product. You are responsible for carefully and sufficiently investigating applicable laws and regulations that regulate the inclusion or use of controlled substances, including without limitation, the EU RoHS Directive, and using Renesas Electronics products in compliance with all these applicable laws and regulations. Renesas Electronics disclaims any and all liability for damages or losses occurring as a result of your noncompliance with applicable laws and regulations.
9. Renesas Electronics products and technologies shall not be used for or incorporated into any products or systems whose manufacture, use, or sale is prohibited under any applicable domestic or foreign laws or regulations. You shall comply with any applicable export control laws and regulations promulgated and administered by the governments of any countries asserting jurisdiction over the parties or transactions.
10. It is the responsibility of the buyer or distributor of Renesas Electronics products, or any other party who distributes, disposes of, or otherwise sells or transfers the product to a third party, to notify such third party in advance of the contents and conditions set forth in this document.
11. This document shall not be reprinted, reproduced or duplicated in any form, in whole or in part, without prior written consent of Renesas Electronics.
12. Please contact a Renesas Electronics sales office if you have any questions regarding the information contained in this document or Renesas Electronics products.

(Note1) "Renesas Electronics" as used in this document means Renesas Electronics Corporation and also includes its directly or indirectly controlled subsidiaries.

(Note2) "Renesas Electronics product(s)" means any product developed or manufactured by or for Renesas Electronics.

(Rev.4.0-1 November 2017)

## Corporate Headquarters

TOYOSU FORESIA, 3-2-24 Toyosu,  
Koto-ku, Tokyo 135-0061, Japan  
[www.renesas.com](http://www.renesas.com)

## Contact Information

For further information on a product, technology, the most up-to-date version of a document, or your nearest sales office, please visit:  
[www.renesas.com/contact/](http://www.renesas.com/contact/)

## Trademarks

Renesas and the Renesas logo are trademarks of Renesas Electronics Corporation. All trademarks and registered trademarks are the property of their respective owners.



Компания «ЭлектроПласт» предлагает заключение долгосрочных отношений при поставках импортных электронных компонентов на взаимовыгодных условиях!

Наши преимущества:

- Оперативные поставки широкого спектра электронных компонентов отечественного и импортного производства напрямую от производителей и с крупнейших мировых складов;
- Поставка более 17-ти миллионов наименований электронных компонентов;
- Поставка сложных, дефицитных, либо снятых с производства позиций;
- Оперативные сроки поставки под заказ (от 5 рабочих дней);
- Экспресс доставка в любую точку России;
- Техническая поддержка проекта, помощь в подборе аналогов, поставка прототипов;
- Система менеджмента качества сертифицирована по Международному стандарту ISO 9001;
- Лицензия ФСБ на осуществление работ с использованием сведений, составляющих государственную тайну;
- Поставка специализированных компонентов (Xilinx, Altera, Analog Devices, Intersil, Interpoint, Microsemi, Aeroflex, Peregrine, Syfer, Eurofarad, Texas Instrument, Miteq, Cobham, E2V, MA-COM, Hittite, Mini-Circuits, General Dynamics и др.);

Помимо этого, одним из направлений компании «ЭлектроПласт» является направление «Источники питания». Мы предлагаем Вам помощь Конструкторского отдела:

- Подбор оптимального решения, техническое обоснование при выборе компонента;
- Подбор аналогов;
- Консультации по применению компонента;
- Поставка образцов и прототипов;
- Техническая поддержка проекта;
- Защита от снятия компонента с производства.



#### Как с нами связаться

**Телефон:** 8 (812) 309 58 32 (многоканальный)

**Факс:** 8 (812) 320-02-42

**Электронная почта:** [org@eplast1.ru](mailto:org@eplast1.ru)

**Адрес:** 198099, г. Санкт-Петербург, ул. Калинина, дом 2, корпус 4, литера А.