



## Bidirectional Low Capacitance TVSarray

### DESCRIPTION

This USB50803C(-A) – USB50824C(-A) family of Transient Voltage Suppressor (TVS) arrays comes in an SO-8 package and can provide protection to 2 bidirectional data or interface lines. It is designed for use in applications where very low capacitance protection is required at the board level from voltage transients caused by electrostatic discharge (ESD) as defined in IEC 61000-4-2, electrical fast transients (EFT) per IEC 61000-4-4 and secondary effects of lightning. Using the schematic on the last page, pins 1 & 2 are tied together for the first protected line, and pins 7 & 8 are tied together to ground. The same would occur for a second protected line where pins 3 & 4 tied together and pins 5 & 6 tied together to the ground. These connections may be switched in polarity since the electrical features are the same in each anti-parallel (opposite facing) leg when the pins are tied together in this manner for bidirectional protection. The device with an “-A” suffix is opposite in polarity for each pin-to-pin leg (see [schematics](#)). This provides no functional difference for bidirectional TVS protection with the noted pins tied together as described above. But the difference is significant if each leg is being used separately for unidirectional applications.

These TVS arrays have a peak power rating of 500 watts for an 8/20  $\mu$ sec pulse. This array is suitable for protection of sensitive circuitry such as TTL, CMOS DRAM's, SRAM's, HCMOS, HSIC microprocessors, Universal Serial Bus (USB) and I/O transceivers.

**Important:** For the latest information, visit our website <http://www.microsemi.com>.

### FEATURES

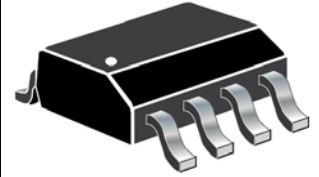
- Provides electrically isolated protection for up to 2 bidirectional lines.
- Surge protection per IEC 61000-4-2 and IEC 61000-4-4.
- UL 94V-0 flammability classification.
- Ultra low capacitance; 3 pF per line pair.
- Ultra low leakage current.
- RoHS compliant versions available.

### APPLICATIONS / BENEFITS

- EIA-RS485 data rates: 5 Mbs
- 10 Base T Ethernet.
- USB data rate: 900 Mbs


### MAXIMUM RATINGS

Parameters/Test Conditions	Symbol	Value	Unit
Junction and Storage Temperature	T <sub>J</sub> and T <sub>STG</sub>	-55 to +150	°C
Peak Pulse Power @ 8/20 $\mu$ s (see <a href="#">figure 1</a> )	P <sub>PP</sub>	500	W
Impulse Repetition Rate	df	< .01	%
Capacitance (f = 1 MHz) @ 0 V	C	3	pF
Solder Temperature @ 10 s	T <sub>SP</sub>	260	°C



### SO-8 Package

Also available:

**Unidirectional version**  
 [USB50803 – USB50824](#)

#### **MSC – Lawrence**

6 Lake Street,  
Lawrence, MA 01841  
Tel: 1-800-446-1158 or  
(978) 620-2600  
Fax: (978) 689-0803

#### **MSC – Ireland**

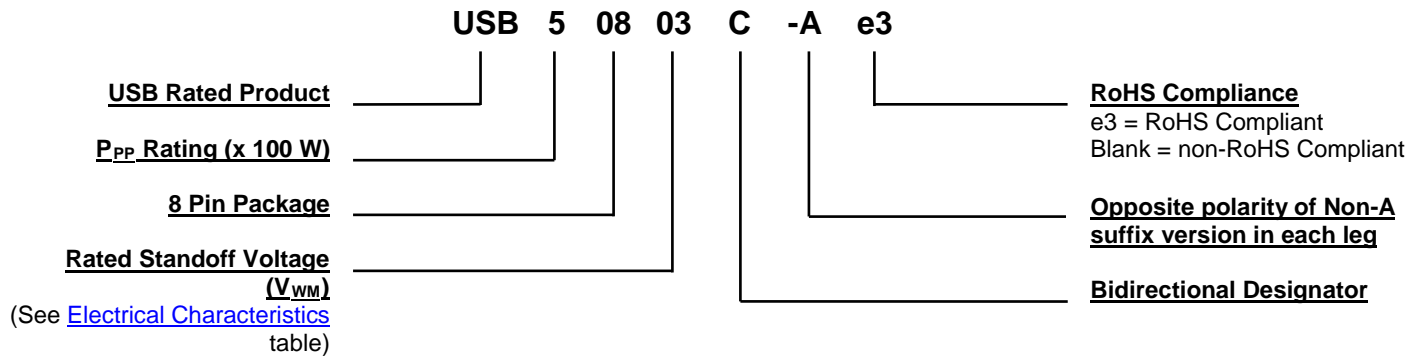
Gort Road Business Park,  
Ennis, Co. Clare, Ireland  
Tel: +353 (0) 65 6840044  
Fax: +353 (0) 65 6822298

**Website:**

[www.microsemi.com](http://www.microsemi.com)

**MECHANICAL and PACKAGING**

- CASE: Molded SO-8 surface mount.
- TERMINALS: Tin-lead or RoHS compliant annealed matte-tin plating.
- MARKING: Logo, device marking code (see electrical characteristics table), date code.
- POLARITY: Pin #1 marked by dot on top of package.
- TAPE & REEL option: Per EIA standard 481. Consult factory for quantities. Carrier tubes with a quantity of 95 pieces are standard.
- WEIGHT: Approximately 0.066 grams.
- See [Package Dimensions](#) on last page.

**PART NOMENCLATURE**

**SYMBOLS & DEFINITIONS**

Symbol	Definition
V <sub>WM</sub>	Stand Off Voltage: Maximum dc voltage that can be applied over the operating temperature range. V <sub>wm</sub> must be selected to be equal or be greater than the operating voltage of the line to be protected.
V <sub>(BR)</sub>	Minimum Breakdown Voltage: The minimum voltage the device will exhibit at a specified current
V <sub>C</sub>	Clamping Voltage: Maximum clamping voltage across the TVS device when subjected to a given current at a pulse time of 20 μs.
I <sub>D</sub>	Standby Current: Leakage current at V <sub>WM</sub> .
C	Capacitance: Capacitance of the TVS as defined @ 0 volts at a frequency of 1 MHz and stated in picofarads.

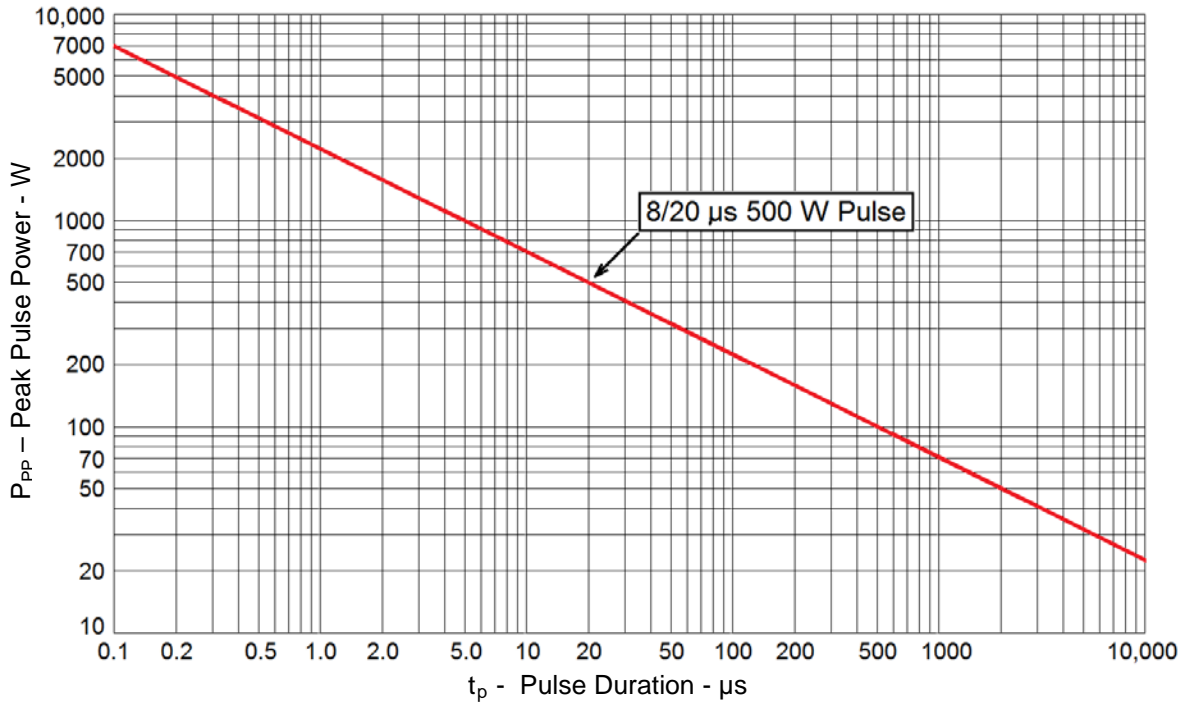
**ELECTRICAL CHARACTERISTICS**

PART NUMBER	DEVICE MARKING*	STAND-OFF VOLTAGE $V_{WM}$	BREAKDOWN VOLTAGE $V_{BR}$ @1 mA	CLAMPING VOLTAGE $V_C$ @ 1 Amp (Figure 2)	CLAMPING VOLTAGE $V_C$ @ 5 Amp (Figure 2)	STANDBY CURRENT $I_D$ @ $V_{WM}$	CAPACITANCE (f = 1 MHz) C @ 0 V	TEMPERATURE COEFFICIENT OF $V_{BR}$ $\alpha_{VBR}$
		Volts	Volts	Volts	Volts	$\mu A$	pF	mV/°C
		MAX	MIN	MAX	MAX	MAX	MAX	MAX
USB50803C	3C	3.3	4	8	11	200	3	-5
USB50803C-A	U3CA							
USB50805C	5C	5.0	6.0	10.8	13	40	3	1
USB50805C-A	U5CA							
USB50812C	12C	12.0	13.3	19	26	1	3	8
USB50812C-A	U12CA							
USB50815C	15C	15.0	16.7	24	32	1	3	11
USB50815C-A	U15CA							
USB50824C	24C	24.0	26.7	43	57	1	3	28
USB50824C-A	U24CA							

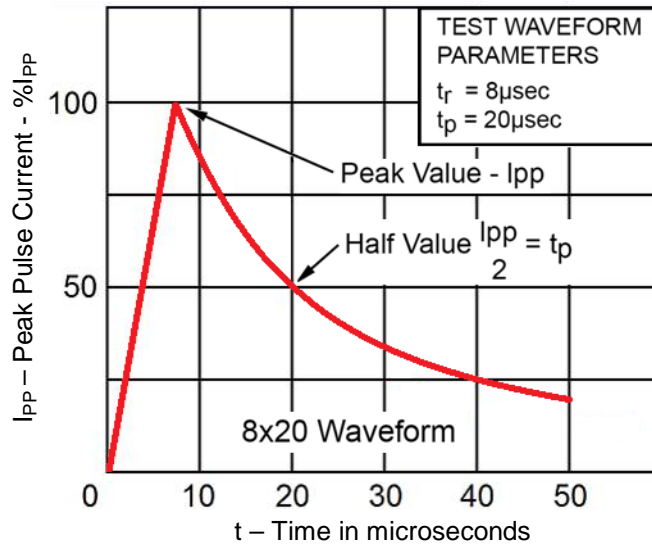
\* Device marking will have an "e3" suffix added for the RoHS compliant option, e.g. U3CAe3, 5Ce3, U12CAe3, 15Ce3, and U24CAe3.

**NOTE:** Transient Voltage Suppressor (TVS) products are normally selected based on their standoff voltage  $V_{wm}$ . The selected voltage should be equal to or greater than the peak operating voltage of the circuit to be protected.

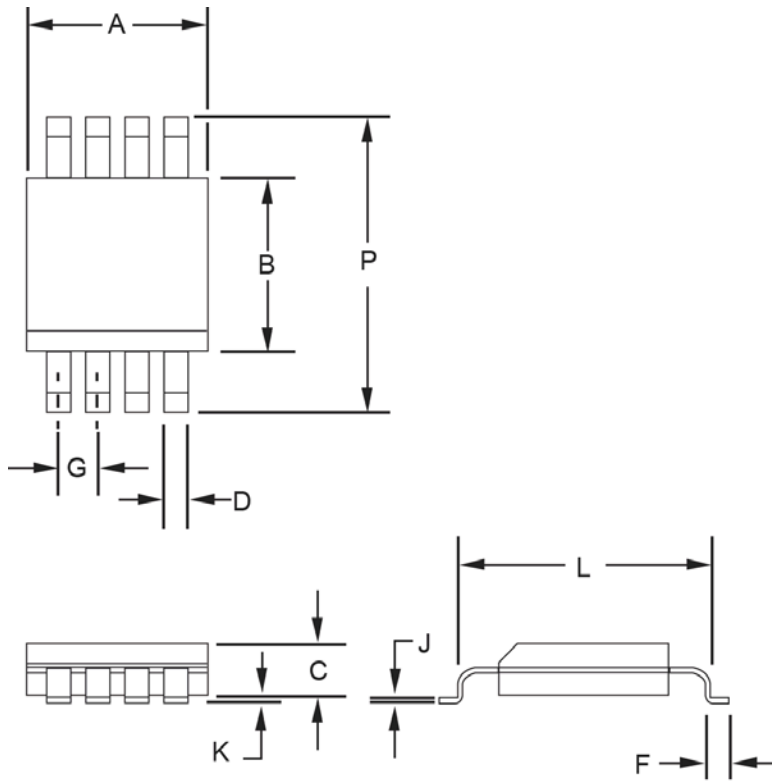
GRAPHS



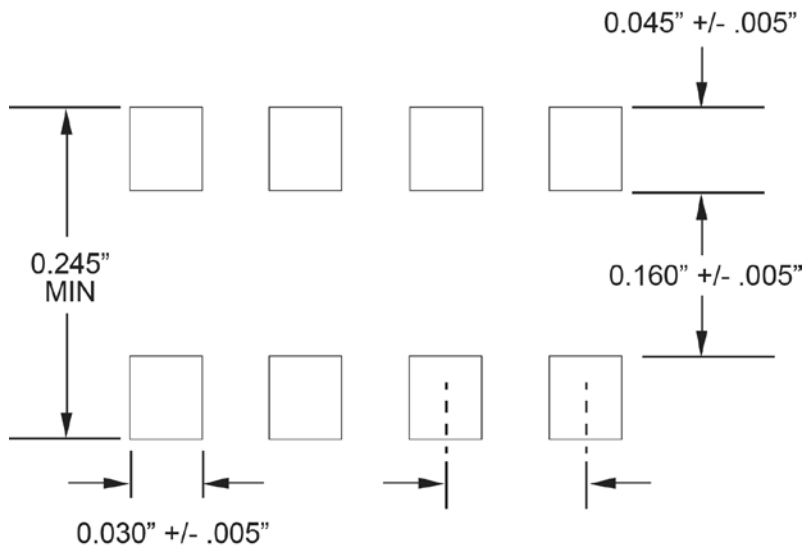
**FIGURE 1**  
Peak Pulse Power vs Pulse Time

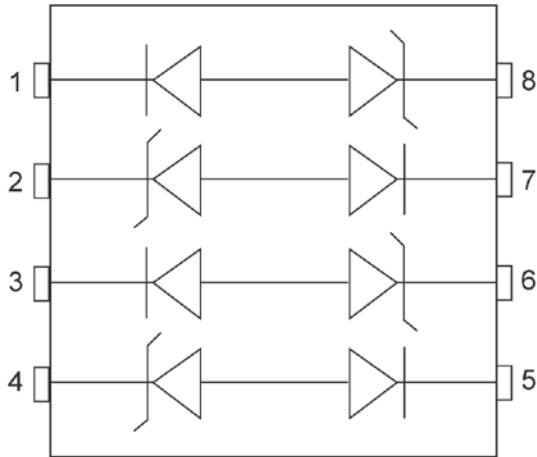


**FIGURE 2**  
Pulse Waveform

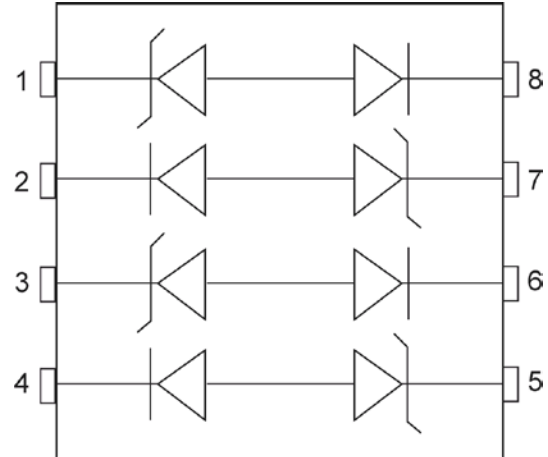
**PACKAGE DIMENSIONS**


Ltr	Dimensions			
	Inch		Millimeters	
	Min	Max	Min	Max
A	0.188	0.197	4.77	5.00
B	0.150	0.158	3.81	4.01
C	0.053	0.069	1.35	1.75
D	0.011	0.021	0.28	0.53
F	0.0160	0.050	.041	1.27
G	0.050 BSC		1.27 BSC	
J	0.006	0.010	0.15	0.25
K	0.004	0.008	0.10	0.20
L	0.189	0.206	4.80	5.23
P	0.228	0.244	5.79	6.19

**PAD LAYOUT**


**SCHEMATICS**

USB50803C thru USB50824C



USB50803C-A thru USB50824C-A

# Mouser Electronics

Authorized Distributor

Click to View Pricing, Inventory, Delivery & Lifecycle Information:

## Microchip:

[USB50805CE3/TR7](#) [USB50805C-Ae3/TR13](#) [USB50803C/TR13](#) [USB50812C-A/TR13](#) [USB50803Ce3/TR13](#)  
[USB50824Ce3/TR7](#) [USB50815/TR13](#) [USB50824C-Ae3/TR13](#) [USB50803C-A/TR7](#) [USB50805e3/TR7](#) [USB50815/TR7](#)  
[USB50812C-Ae3/TR13](#) [USB50824C-Ae3/TR7](#) [USB50805C-Ae3/TR7](#) [USB50805C-A/TR13](#) [USB50803C/TR7](#)  
[USB50824C/TR13](#) [USB50805Ce3/TR13](#) [USB50824Ce3/TR13](#) [USB50815Ce3/TR7](#) [USB50812C-Ae3/TR7](#)  
[USB50803C-A/TR13](#) [USB50803e3/TR7](#) [USB50812Ce3/TR7](#) [USB50803e3/TR13](#) [USB50803/TR7](#) [USB50824C-A/TR7](#)  
[USB50805e3/TR13](#) [USB50805C-A/TR7](#) [USB50812Ce3/TR13](#) [USB50803C-Ae3/TR7](#) [USB50803/TR13](#)  
[USB50815C-Ae3/TR7](#) [USB50815C-A/TR7](#) [USB50812C/TR7](#) [USB50824C/TR7](#) [USB50805C/TR13](#) [USB50815C-](#)  
[Ae3/TR13](#) [USB50812C/TR13](#) [USB50824C-A/TR13](#) [USB50805/TR7](#) [USB50815e3/TR7](#) [USB50815C/TR13](#)  
[USB50815C-A/TR13](#) [USB50824e3/TR13](#) [USB50812/TR7](#) [USB50812e3/TR7](#) [USB50812C-A/TR7](#)  
[USB50815Ce3/TR13](#) [USB50815C/TR7](#) [USB50803C-Ae3/TR13](#) [USB50815e3/TR13](#) [USB50824/TR7](#)  
[USB50824e3/TR7](#) [USB50805/TR13](#) [USB50805C/TR7](#) [USB50803Ce3/TR7](#) [USB50812e3/TR13](#)



Компания «ЭлектроПласт» предлагает заключение долгосрочных отношений при поставках импортных электронных компонентов на взаимовыгодных условиях!

Наши преимущества:

- Оперативные поставки широкого спектра электронных компонентов отечественного и импортного производства напрямую от производителей и с крупнейших мировых складов;
- Поставка более 17-ти миллионов наименований электронных компонентов;
- Поставка сложных, дефицитных, либо снятых с производства позиций;
- Оперативные сроки поставки под заказ (от 5 рабочих дней);
- Экспресс доставка в любую точку России;
- Техническая поддержка проекта, помощь в подборе аналогов, поставка прототипов;
- Система менеджмента качества сертифицирована по Международному стандарту ISO 9001;
- Лицензия ФСБ на осуществление работ с использованием сведений, составляющих государственную тайну;
- Поставка специализированных компонентов (Xilinx, Altera, Analog Devices, Intersil, Interpoint, Microsemi, Aeroflex, Peregrine, Syfer, Eurofarad, Texas Instrument, Miteq, Cobham, E2V, MA-COM, Hittite, Mini-Circuits, General Dynamics и др.);

Помимо этого, одним из направлений компании «ЭлектроПласт» является направление «Источники питания». Мы предлагаем Вам помощь Конструкторского отдела:

- Подбор оптимального решения, техническое обоснование при выборе компонента;
- Подбор аналогов;
- Консультации по применению компонента;
- Поставка образцов и прототипов;
- Техническая поддержка проекта;
- Защита от снятия компонента с производства.



#### Как с нами связаться

**Телефон:** 8 (812) 309 58 32 (многоканальный)

**Факс:** 8 (812) 320-02-42

**Электронная почта:** [org@eplast1.ru](mailto:org@eplast1.ru)

**Адрес:** 198099, г. Санкт-Петербург, ул. Калинина, дом 2, корпус 4, литера А.