

### Main

|                                 |                                     |
|---------------------------------|-------------------------------------|
| Range of product                | Harmony XB6                         |
| Product or component type       | Head for illuminated push-button    |
| Product compatibility           | Integral LED                        |
| Device short name               | ZB6                                 |
| Bezel material                  | Plastic                             |
| Mounting diameter               | 0.63 in (16 mm)                     |
| Sale per indivisible quantity   | 1                                   |
| Shape of signaling unit head    | Rectangular                         |
| Type of operator                | Spring return                       |
| Operator profile                | 6 colors choice projecting unmarked |
| Operator additional information | Set of 6 color caps                 |

### Complementary

|                    |                        |
|--------------------|------------------------|
| CAD overall width  | 0.94 in (24 mm)        |
| CAD overall height | 0.71 in (18 mm)        |
| CAD overall depth  | 1.42 in (36 mm)        |
| Product weight     | 0.04 lb(US) (0.016 kg) |

### Environment

|                                       |  |
|---------------------------------------|--|
| protective treatment                  | TC   |
| ambient air temperature for storage   | -40...158 °F (-40...70 °C)   |
| ambient air temperature for operation | -13...158 °F (-25...70 °C)   |
| electrical shock protection class     | Class II conforming to IEC 61140   |
| IP degree of protection               | IP65 conforming to IEC 60529   |
| NEMA degree of protection             | NEMA 13 conforming to UL 50<br>NEMA 4 conforming to UL 50<br>NEMA 4X conforming to UL 50<br>NEMA 4 conforming to CSA C22.2 No 94<br>NEMA 13 conforming to CSA C22.2 No 94<br>NEMA 4X conforming to CSA C22.2 No 94 |
| standards                             | EN/IEC 60947-1<br>EN/IEC 60947-5-1<br>EN/IEC 60947-5-5<br>JIS C 4520<br>JIS C 852<br>UL 508<br>CSA C22.2 No 14   |
| product certifications                | CCC<br>CSA<br>GOST<br>UL   |
| vibration resistance                  | +/- 3 mm (f = 2...500 Hz) conforming to IEC 60068-2-6<br>5 gn (f = 2...500 Hz) conforming to IEC 60068-2-6   |
| shock resistance                      | 30 gn (duration = 18 ms) half sine wave acceleration conforming to IEC 60068-2-27<br>50 gn (duration = 11 ms) half sine wave acceleration conforming to IEC 60068-2-27   |

### Offer Sustainability

|  |  |
|--|--|
| WARNING: This product can expose you to chemicals including:   | WARNING: This product can expose you to chemicals including:   |
| Nickel compounds, which is known to the State of California to cause cancer, and                                     | Nickel compounds, which is known to the State of California to cause cancer, and                                     |
| Di-isodecyl phthalate (DIDP), which is known to the State of California to cause birth defects or other reproductive | Di-isodecyl phthalate (DIDP), which is known to the State of California to cause birth defects or other reproductive |

harm.

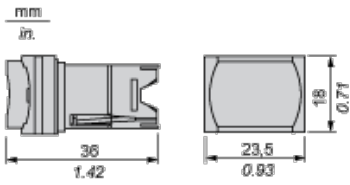
For more information go to [www.p65warnings.ca.gov](http://www.p65warnings.ca.gov) For more information go to [www.p65warnings.ca.gov](http://www.p65warnings.ca.gov)

## Contractual warranty

Warranty period 18 months

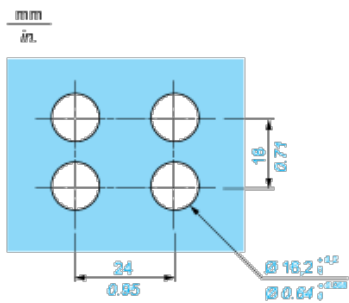
## Rectangular Head for Illuminated or Non Illuminated Pushbutton

### Dimensions



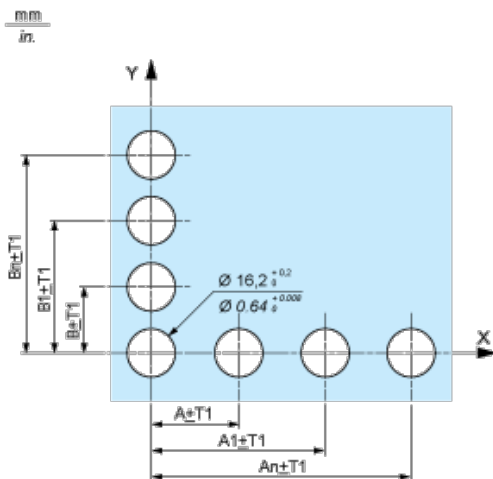
## Panel Cut-out

### For Rectangular Head

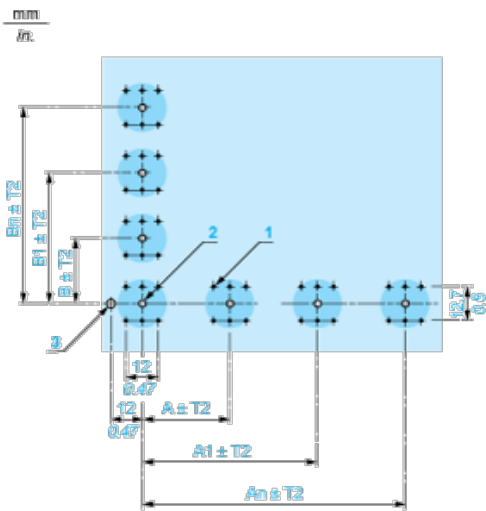


## Pushbuttons, Switches and Pilot Lights for Printed Circuit Board Connection

### Front Panel Cut-out (Viewed from Installer's Side)



### Printed Circuit Board Drillings (Viewed from Electrical Block Side)



- A 24 mm/0.94 in. minimum for rectangular heads, 18 mm/0.71 in. minimum for square or circular heads
- B 18 mm/0.71 in. minimum
- (1) 6 x Ø 1.1 mm / 6 x Ø 0.04 in. holes.
- (2) 1 x Ø 2.6<sup>0</sup><sub>-0.2</sub> mm / 1 x Ø 0.10<sup>0</sup><sub>-0.008</sub> in. hole for locating pin, only when using socket adaptor ZB6Y010.
- (3) 1 x Ø 3.2<sup>0</sup><sub>-0.2</sub> mm / 1 x Ø 0.13<sup>0</sup><sub>-0.008</sub> in. hole for fixing of printed circuit board onto the front panel using body bracket ZB6Y011. This hole must be drilled on the left-hand side, when heads are positioned at the normal angle. Fit a body bracket ZB6Y011 every 72 mm/2.83 in. maximum for cut-outs on 24 mm/0.94 in. centres (rectangular heads) and 54 mm/2.13 in. maximum for cut-outs on 18 mm/0.71 in. centres (square or circular heads).

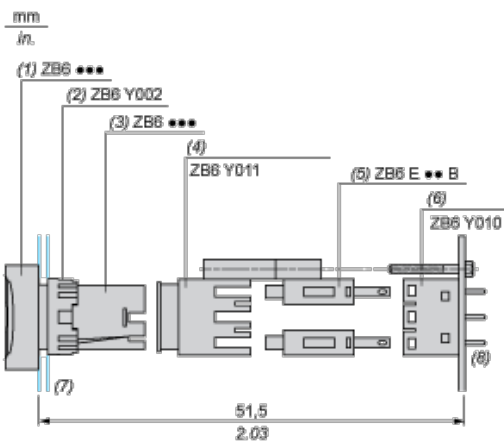
**General tolerances of the panel and printed circuit board: T1, T2: T1 + T2 = 0.3 mm/0.01 in. maximum.**

**Installation precautions:**

Thickness of printed circuit board: 1.6 mm/0.06 in. minimum.

**Mounting with Body Bracket**

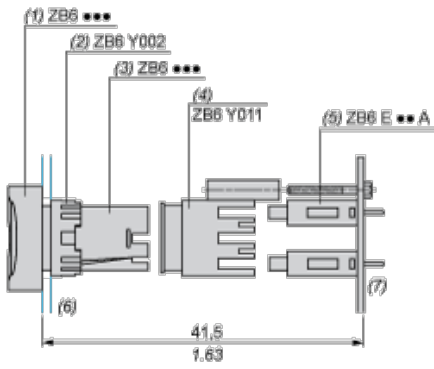
**With socket adaptor ZB6Y010**



- (1) Head
- (2) Nut
- (3) Body
- (4) Body bracket
- (5) Contact block
- (6) Socket adaptor
- (7) Panel
- (8) Printed circuit

**Direct mounting without socket adaptor ZB6Y010**

mm  
in.



- (1) Head
- (2) Nut
- (3) Body
- (4) Body bracket
- (5) Contact block
- (6) Panel
- (7) Printed circuit



Компания «ЭлектроПласт» предлагает заключение долгосрочных отношений при поставках импортных электронных компонентов на взаимовыгодных условиях!

Наши преимущества:

- Оперативные поставки широкого спектра электронных компонентов отечественного и импортного производства напрямую от производителей и с крупнейших мировых складов;
- Поставка более 17-ти миллионов наименований электронных компонентов;
- Поставка сложных, дефицитных, либо снятых с производства позиций;
- Оперативные сроки поставки под заказ (от 5 рабочих дней);
- Экспресс доставка в любую точку России;
- Техническая поддержка проекта, помощь в подборе аналогов, поставка прототипов;
- Система менеджмента качества сертифицирована по Международному стандарту ISO 9001;
- Лицензия ФСБ на осуществление работ с использованием сведений, составляющих государственную тайну;
- Поставка специализированных компонентов (Xilinx, Altera, Analog Devices, Intersil, Interpoint, Microsemi, Aeroflex, Peregrine, Syfer, Eurofarad, Texas Instrument, Miteq, Cobham, E2V, MA-COM, Hittite, Mini-Circuits, General Dynamics и др.);

Помимо этого, одним из направлений компании «ЭлектроПласт» является направление «Источники питания». Мы предлагаем Вам помощь Конструкторского отдела:

- Подбор оптимального решения, техническое обоснование при выборе компонента;
- Подбор аналогов;
- Консультации по применению компонента;
- Поставка образцов и прототипов;
- Техническая поддержка проекта;
- Защита от снятия компонента с производства.



#### Как с нами связаться

**Телефон:** 8 (812) 309 58 32 (многоканальный)

**Факс:** 8 (812) 320-02-42

**Электронная почта:** [org@eplast1.ru](mailto:org@eplast1.ru)

**Адрес:** 198099, г. Санкт-Петербург, ул. Калинина, дом 2, корпус 4, литера А.