

# EC-E...

## Electronic miniature circuit-breaker

### CLIPLINE

Data sheet  
103906\_en\_01

© PHOENIX CONTACT - 09/2009



## 1 Description

The EC-E... electronic miniature circuit-breaker selectively protects all 24 V DC load circuits on power supply units. A combination of active electronic current limitation for short circuits and an overload shutdown function from  $1.1 \times I_N$  upwards ensures that the miniature circuit-breaker can react to overloads faster than the power supply unit. In this case, the residual current is constantly restricted to 1.3 - 1.8 times the nominal current.

This enables capacitive loads of up to 20,000  $\mu\text{F}$  to be switched on; loads are shut down only in the event of an overload or short circuit.

Once an overload or short circuit has been detected in the load circuit, the load output of the EC-E... is blocked. The current flow in the faulty circuit is interrupted. The EC-E... and, therefore, the current circuit can be activated again using the electronic reset input or manually on the device using the slide switch.

Wiring and signaling tasks can be implemented easily using power rails and plug-in bridges.

A multi-color LED and the integrated status output display the operating and fault state.

The miniature circuit-breaker has a design width of 12.5 mm and can be snapped onto NS 35 DIN rails using a modular approach. It is equipped with screw connections.

### 1.1 Properties

- Selective load protection, electronic shutdown characteristic curve
- Active current limitation when switching on capacitive loads of up to 20,000  $\mu\text{F}$  and in the event of an overload/short circuit
- Nominal current can be selected in fixed current strengths from 0.5 A ... 12 A
- Safe overload shutdown from  $1.1 \times I_N$  upwards, even with long load lines or small cable cross-sections
- Manual on/off switch (S1)
- Clear signaling by means of LED, SF status output, or F alarm output (signal contact), (can be combined)
- RE electronic reset input (option)
- Integrated fail-safe element, adapted to nominal current
- Straightforward wiring using LINE+ power rail and 0 V, as well as signal rails and signal bridges



**NOTE:** Make sure that you adapt the cable cross-section of the relevant load circuit to the nominal current of the EC-E... being used.

Take special precautions in the system or machine to eliminate the possibility of system parts restarting (in accordance with the Machinery Directive 2006/42/EC and EN 60204-1). In the event of a fault (short circuit/overload), the EC-E... shuts down the load circuit electronically.



Make sure you always use the latest documentation.  
It can be downloaded at [www.phoenixcontact.net/download](http://www.phoenixcontact.net/download).



This data sheet is valid for all products listed on the following page:

## 2 Ordering data

### Electronic miniature circuit-breakers

| Description   | Nominal current | Type               | Order No. | Pcs./Pkt. |
|---|-----------------|--------------------|-----------|-----------|
| Electronic miniature circuit-breaker with signal contact: 1 N/O contact | 0.5 A           | EC-E1 0.5 A        | 0903022   | 6         |
| Electronic miniature circuit-breaker with signal contact: 1 N/O contact | 1 A             | EC-E1 1.0 A        | 0903023   | 6         |
| Electronic miniature circuit-breaker with signal contact: 1 N/O contact | 2 A             | EC-E1 2.0 A        | 0903024   | 6         |
| Electronic miniature circuit-breaker with signal contact: 1 N/O contact | 3 A             | EC-E1 3.0 A        | 0903025   | 6         |
| Electronic miniature circuit-breaker with signal contact: 1 N/O contact | 4 A             | EC-E1 4.0 A        | 0903026   | 6         |
| Electronic miniature circuit-breaker with signal contact: 1 N/O contact | 6 A             | EC-E1 6.0 A        | 0903028   | 6         |
| Electronic miniature circuit-breaker with signal contact: 1 N/O contact | 8 A             | EC-E1 8.0 A        | 0903029   | 6         |
| Electronic miniature circuit-breaker with signal contact: 1 N/O contact | 10 A            | EC-E1 10 A         | 0903030   | 6         |
| Electronic miniature circuit-breaker with signal contact: 1 N/O contact | 12 A            | EC-E1 12 A         | 0903031   | 6         |
| Electronic miniature circuit-breaker with signal contact: 1 N/C contact | 0.5 A           | EC-E4 0.5 A        | 0903040   | 6         |
| Electronic miniature circuit-breaker with signal contact: 1 N/C contact | 1 A             | EC-E4 1.0 A        | 0903032   | 6         |
| Electronic miniature circuit-breaker with signal contact: 1 N/C contact | 2 A             | EC-E4 2.0 A        | 0903033   | 6         |
| Electronic miniature circuit-breaker with signal contact: 1 N/C contact | 3 A             | EC-E4 3.0 A        | 0903034   | 6         |
| Electronic miniature circuit-breaker with signal contact: 1 N/C contact | 4 A             | EC-E4 4.0 A        | 0903035   | 6         |
| Electronic miniature circuit-breaker with signal contact: 1 N/C contact | 6 A             | EC-E4 6.0 A        | 0903036   | 6         |
| Electronic miniature circuit-breaker with signal contact: 1 N/C contact | 8 A             | EC-E4 8.0 A        | 0903037   | 6         |
| Electronic miniature circuit-breaker with signal contact: 1 N/C contact | 10 A            | EC-E4 10 A         | 0903038   | 6         |
| Electronic miniature circuit-breaker with signal contact: 1 N/C contact | 12 A            | EC-E4 12 A         | 0903039   | 6         |
| Electronic miniature circuit-breaker with reset input and status output | 0.5 A           | EC-E 0.5 A 24 V DC | 0903041   | 6         |
| Electronic miniature circuit-breaker with reset input and status output | 1 A             | EC-E 1.0 A 24 V DC | 0903042   | 6         |
| Electronic miniature circuit-breaker with reset input and status output | 2 A             | EC-E 2.0 A 24 V DC | 0903043   | 6         |
| Electronic miniature circuit-breaker with reset input and status output | 3 A             | EC-E 3.0 A 24 V DC | 0903044   | 6         |
| Electronic miniature circuit-breaker with reset input and status output | 4 A             | EC-E 4.0 A 24 V DC | 0903045   | 6         |
| Electronic miniature circuit-breaker with reset input and status output | 6 A             | EC-E 6.0 A 24 V DC | 0903046   | 6         |
| Electronic miniature circuit-breaker with reset input and status output | 8 A             | EC-E 8.0 A 24 V DC | 0903047   | 6         |
| Electronic miniature circuit-breaker with reset input and status output | 10 A            | EC-E 10 A 24 V DC  | 0903048   | 6         |
| Electronic miniature circuit-breaker with reset input and status output | 12 A            | EC-E 12 A 24 V DC  | 0903049   | 6         |

| Version | Signal input         | Signal output                                 |   |                             |
|---------|----------------------|---|---|-----------------------------|
|         |                      | F alarm output (signal contact)               |   | SF status output            |
|         | RE +24 V reset input | Individual-signal N/O contact (normally open) | Individual-signal N/C contact (normally closed) | SF +24 V status output = OK |
| EC-E1   | -                    | x   | -   | -                           |
| EC-E4   | -                    | -   | x   | -                           |
| EC-E    | x                    | -   | -   | x                           |

### Accessories

| Description   | Type        | Order No.                          | Pcs./Pkt.          |          |
|---|-------------|------------------------------------|--------------------|----------|
| Continuous plug-in bridge for LINE+ and 0 V, insulated with gray material, 500 mm long, can be cut to length<br>Current carrying capacity with one supply: $I_{max} = 50$ A, (recommendation: central input)<br>Current carrying capacity with two supplies: $I_{max} = 63$ A | Gray        | FBST 500 TMC-NGY                   | 0901028            | 10       |
| Continuous plug-in bridge for signal contacts and reset inputs, insulated with gray material, 500 mm long, can be cut to length<br>Current carrying capacity with one supply: $I_{max} = 1$ A<br>With signal contacts connected in series: $I_{max} = 0.5$ A                  | Blue<br>Red | FBST 500-PLC-BU<br>FBST 500-PLC-RD | 2966692<br>2966789 | 20<br>20 |
| Zack marker strip, flat, 10-section   |             | UC-TMF12                           | 0819233            | 10       |
| Screwdriver   |             | SZS 0.6X3.5                        | 1205053            | 10       |

### 3 Technical data



**NOTE:** Data apply where  $T_A = 25^\circ\text{C}$  and  $U_B = 24\text{ V DC}$ .

#### Operating data

|                              |  |
|------------------------------|--|
| Nominal voltage $U_B$        | 24 V DC (18 V DC ... 32 V DC)  |
| Nominal current $I_N$        | Depending on product version selected:<br>Fixed current strengths: 0.5 A, 1 A, 2 A, 3 A, 4 A, 6 A, 8 A, 10 A, 12 A |
| Closed-circuit current $I_0$ | When ON: Typically 20 mA ... 30 mA, depending on signal output   |

#### Shutdown

|                    |   |
|--------------------|---|
| Shutdown times     | Refer to the time/current characteristic curve (see page 8)   |
| Typical behavior   | 3 s where $I_{\text{load}} > 1.1 \times I_N$<br>100 ms ... 3 s where $I_{\text{load}} > 1.8 \times I_N$ (or $1.5 \times I_N/1.3 \times I_N$ ) |
| EC-E4: Pin 11/12   | Individual signaling (N/C contact)  |
| EC-E1: Pin 13/14   | Individual signaling (N/O contact)  |
| EC-E: SF 23, RE 22 | RE reset input, SF status output  |

#### Status indicators

|                           |  |
|---------------------------|--|
| Operating state signaling | <ul style="list-style-type: none"> <li>- Multi-color LED</li> <li>- SF status output (option)</li> <li>- Floating signal contact (F alarm output) (option)</li> <li>- On/off setting for switch S1</li> </ul>  |
| Multi-color LED           | <p><b>Green</b> = Device switched on (S1 = ON) or load circuit/Power MOSFET forced to trip</p> <p><b>Orange</b> = Overload or short circuit leading to electronic shutdown</p> <p><b>Red</b> = Device shut down electronically, load circuit/Power MOSFET switched off, undervoltage (<math>U_B &lt; 8\text{ V}</math>) or after switch-on up to end of switch-on delay time</p> <p><b>OFF:</b> Manually switched off (S1 = OFF) or device voltage is disconnected</p> |

#### Load circuit

|  |  |
|--|--|
| Load output  | Power MOSFET switching output (positive switching)                   |
| Overload shutdown (OL)   | Typically $1.1 \times I_N$ (1.05 ... $1.35 \times I_N$ )             |
| Short-circuit current $I_K$  | Active current limitation (see page 5)                               |
| Temperature shutdown   | Internal temperature monitoring with electronic shutdown             |
| Undervoltage monitoring for load output after each switch-on procedure | With hysteresis, no reset required: Load "OFF" at $U_B < 8\text{ V}$ |
| Switch-on delay $t_{\text{start}}$                                     | Typically 0.5 s after reset and after $U_B$ applied                  |
| Load circuit shutdown  | Electronic shutdown after overload/short circuit                     |
| Free running circuit   | External free-wheeling diode recommended for inductive load          |
| Parallel connection of multiple load outputs                           | Not permitted  |

#### F alarm output, signal contact (for EC-E1 and EC-E4 only)

|                                   |   |
|-----------------------------------|---|
| Electrical data                   | Floating signal contact<br>30 V DC/0.5 A maximum, 10 V/10 mA minimum  |
| Normal state, LED lights up green | $U_B$ is present, switch S1 is set to ON, and no overloads or short circuits occur  |
| OFF state, LED off                | <ul style="list-style-type: none"> <li>- Device switched off (switch S1 set to OFF)</li> <li>- Operating voltage <math>U_B</math> is not present</li> </ul> |

**F alarm output, signal contact (for EC-E1 and EC-E4 only) (continued)**

|                                   |  |
|-----------------------------------|--|
| Fault state, LED lights up orange | Overload condition $> 1.1 \times I_N$ leading to electronic shutdown   |
| Fault state, LED lights up red    | <ul style="list-style-type: none"> <li>– Electronic shutdown after overload or short circuit</li> <li>– Device switched off with control signal (switch S1 set to ON)</li> <li>– EC-E1: Individual signal, N/O contact open, pins 13 and 14</li> <li>– EC-E4: Individual signal, N/C contact closed, pins 11 and 12</li> </ul> |
| Fault description                 | <p>F alarm output (signal contact) is in a fault state if</p> <ul style="list-style-type: none"> <li>– Operating voltage <math>U_B</math> is not present</li> <li>– ON/OFF switch S1 is set to OFF</li> <li>– The LED lights up red (electronic shutdown)</li> </ul>   |

**Status output (for EC-E only)**

|                 |  |
|-----------------|--|
| Electrical data | <p>Positive-switching signal output, switches <math>U_B</math> to pin 23, nominal data: 24 V DC/0.2 A maximum (short-circuit-proof).</p> <p>The status output is terminated internally to 0 V with a 10-kohm resistance.</p>   |
| OUT status      | <p>EC-E... (OUT signal status), where <math>U_B = +24</math> V</p> <p>+24 V = S1 is ON, load output forced to trip</p> <p>0 V = S1 is ON, load output blocked, and/or switch S1 is OFF.</p> <p>LED lights up red</p>   |
| OFF state       | <p>0 V level at status output in all cases where:</p> <ul style="list-style-type: none"> <li>– Switch S1 is set to ON, but the device is still subject to a switch-on delay</li> <li>– Switch S1 is set to OFF or control signal OFF, device is switched off</li> <li>– Operating voltage <math>U_B</math> is not present</li> </ul> |

**Reset input (for EC-E only)**

|                         |  |
|-------------------------|--|
| Electrical data         | <p>Maximum voltage: +32 V DC</p> <p>High <math>&gt; 8</math> V DC <math>\leq 32</math> V DC</p> <p>Low <math>\leq 3</math> V DC <math>&gt; 0</math> V DC</p> <p>Current consumption: Typ. 2.6 mA (+24 V DC)</p> <p>Minimum pulse duration: 10 ms</p>   |
| RE reset signal, pin 22 | <p>When the EC-E is electronically blocked, it can be switched on again remotely on the falling edge of a +24 V DC pulse, using an external button. A common reset signal can also be applied to several devices at the same time. Devices that are switched on remain unaffected by this.</p> |

**Connection terminal blocks**

**LINE+/LOAD+/0 V connection terminal blocks**

|   |  |  |   |
|---|--|--|---|
| Screw connections   | M4   |  |   |
| Connection capacity                                       | <b>Solid</b>                               | <b>Stranded</b>                            | <b>With ferrule</b>                         |
| 1 conductor   | 0.5 mm <sup>2</sup> ... 10 mm <sup>2</sup> | 0.5 mm <sup>2</sup> ... 10 mm <sup>2</sup> | 0.5 mm <sup>2</sup> ... 10 mm <sup>2</sup>  |
| 2 conductors (two conductors with the same cross-section) | 0.5 mm <sup>2</sup> ... 4 mm <sup>2</sup>  | 0.5 mm <sup>2</sup> ... 4 mm <sup>2</sup>  | 0.5 mm <sup>2</sup> ... 2.5 mm <sup>2</sup> |
| 2 stranded conductors with a TWIN ferrule                 |  | 0.5 mm <sup>2</sup> ... 6 mm <sup>2</sup>  |   |
| Stripping length  | 10 mm                                      |  |   |
| Torque (EN 60934)   | 1.5 Nm ... 1.8 Nm                          |  |   |

**Signal connections for connection terminal blocks**

|   |  |
|---|--|
| Screw connections                         | M3   |
| Stranded connection capacity with ferrule | 0.25 mm <sup>2</sup> ... 2.5 mm <sup>2</sup> |
| Stripping length                          | 8 mm   |
| Torque (EN 60934)                         | 0.5 Nm                                       |

**General data**

|   |  |
|---|--|
| Fail-safe element                         | No backup fuse required for EC-E... as a redundant fail-safe element is integrated (fuse element)                    |
| Mounting the housing                      | DIN rail in acc. with EN 50022, NS 35 x 7.5  |
| Ambient temperature (operation)           | 0°C ... +50°C (without condensation, see EN 60204-1)   |
| Ambient temperature (storage)             | -20°C ... +70°C  |
| Humid heat                                | 96 h, 95% relative humidity, 40°C<br>in acc. with IEC 60068-2-78, Test Cab. Climatic class 3K3 according to EN 60721 |
| Degree of protection (housing, terminals) | IP20, DIN 40050  |
| Installation dimensions (W x H x D)       | 12.5 mm x 80 mm x 83 mm  |
| Weight                                    | Approx. 65 g   |

**Tests/approvals**

|  |   |
|--|---|
| Conformance with EMC Directive 2004/108/EC | Noise emission: EN 61000-6-3<br>Noise immunity: EN 61000-6-2  |
| Insulation coordination (IEC 60934)        | 0.5 kV/pollution degree 2, increased insulation in actuation area   |
| Dielectric strength                        | 32 V DC maximum (load circuit)  |
| Insulation resistance ("off" state)        | None, electronic shutdown only  |
| Vibration resistance                       | 3g, tested in acc. with IEC 60068-2-6, test Fc  |
| Approvals                                  | UL 2367, File E317172<br>Solid State Overcurrent Protectors<br>UL 1604, File E324415 (class I, division 2, groups A, B, C, D)<br>CE |

**Voltage drop, current limitation, maximum load current**

| Nominal current $I_N$ | Typical voltage drop $U_{ON}$ at $I_N$ | Active current limitation (typical) | Max. load current at 100% OT, $T_A = 40^\circ\text{C}$ | Max. load current at 100% OT, $T_A = 50^\circ\text{C}$ |
|-----------------------|--|-------------------------------------|--|--|
| 0.5 A                 | 70 mV                                  | $1.8 \times I_N$                    | 0.5 A  | 0.5 A  |
| 1 A                   | 80 mV                                  | $1.8 \times I_N$                    | 1 A  | 1 A  |
| 2 A                   | 130 mV                                 | $1.8 \times I_N$                    | 2 A  | 2 A  |
| 3 A                   | 80 mV                                  | $1.8 \times I_N$                    | 3 A  | 3 A  |
| 4 A                   | 100 mV                                 | $1.8 \times I_N$                    | 4 A  | 4 A  |
| 6 A                   | 130 mV                                 | $1.8 \times I_N$                    | 6 A  | 5 A  |
| 8 A                   | 120 mV                                 | $1.5 \times I_N$                    | 8 A  | 7 A  |
| 10 A                  | 150 mV                                 | $1.5 \times I_N$                    | 10 A   | 9 A  |
| 12 A                  | 180 mV                                 | $1.3 \times I_N$                    | 12 A   | 10.8 A   |



In cases where a row-mounting configuration is being used without convection cooling, the effect of the heat during continuous operation (100% OT) means that the nominal device current may only be run at a maximum of 80% of its strength.

### 3.1 Connection diagrams



The signal contacts are shown in an off state or fault state.



Without signal input, with F alarm output (individual signal, N/O contact)

Normal state: 13 - 14 closed  
Fault state: 13 - 14 open



Without signal input, with F alarm output (individual signal, N/C contact)

Normal state: 11 - 12 open  
Fault state: 11 - 12 closed



With RE reset input (+24 V DC), with SF status output (+24 V = load output ON)

Normal state: SF +24 V = OK  
Fault state: SF 0 V

Figure 1 Signal inputs/outputs

### 3.2 Block diagram (using example of EC-E)

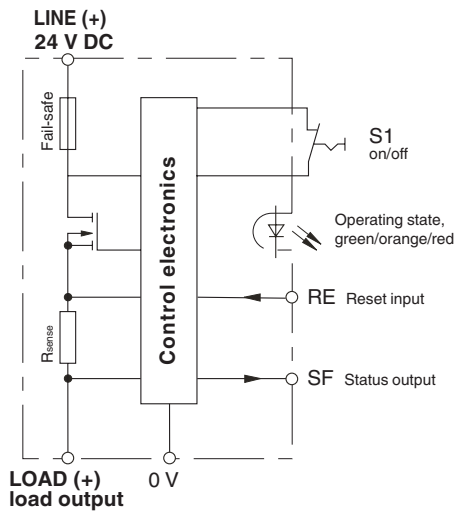


Figure 2 Block diagram (using example of EC-E)

### 3.3 Information on UL approval



File E324415

Operating Temperature Code T5

- This equipment is suitable for use in Class I, Division 2, Groups A, B, C and D or non-hazardous locations only

**WARNING:**

- Exposure to some chemicals may degrade the sealing properties of materials used in the following device:

Relay

Sealant material:

- Generic name: Modified diglycidyl ether of bisphenol A
- Supplier: Fine Polymers Corporation
- Type: Epi Fine 4616L-160PK

Casing material:

- Generic name: Liquid crystal polymer
- Supplier: Sumitomo Chemical
- Type: E4008, E4009, or E6008

**RECOMMENDATION:**

- Periodically inspect the device named above for any degradation of properties and replace if degradation is found

**WARNING – EXPLOSION HAZARD:**

- Do not disconnect equipment unless power has been removed or the area is known to be non-hazardous
- Substitution of any components may impair suitability for Class I, Division 2



Non-hazardous use - UL File E317172

Class 2

Meets requirement for Class 2 current limitation (EC-E...-0.5 A/1 A/2 A/3 A)



Figure 3 UL approval package slip

### 3.4 Dimensions

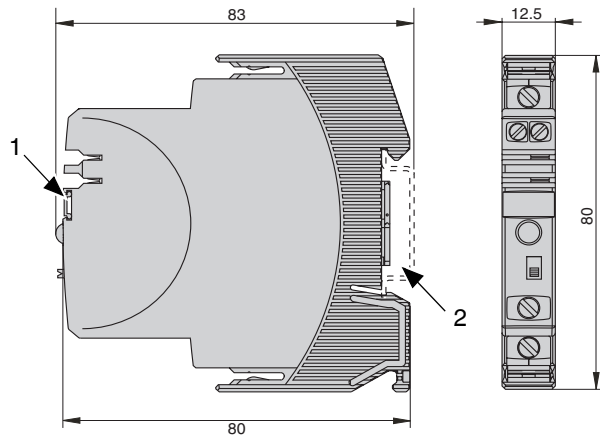


Figure 4 Dimensions in mm

- 1 UC-TMF 12 marking label
- 2 Snap-on socket for DIN rail in acc. with EN 50022, NS 35 x 7.5

### 3.5 Structure



Figure 5 Structure (using example of EC-E1)

- 1 Line+ power rail
- 2 0-V power rail
- 3 Signal rail or signal bridge
- 4 Shock protection slides (molded below the housing and can be easily removed)

### 3.6 Time/current characteristic curve ( $T_A = 25^\circ\text{C}$ )



Figure 6 Time/current characteristic curve

- In the 1.1 ... 1.8 x I<sub>N</sub>\* range, the shutdown time is typically 3 s.
  - The electronic current limitation function is typically used from 1.8 x I<sub>N</sub>\* upwards.  
This means that, typically, 1.8 times the nominal current\* is flowing in the case of all overload conditions that lead to a shutdown (regardless of the power supply and load circuit resistance). The shutdown time ranges from 100 ms to 3 s depending on the multiple of the nominal current, or in the event of a short circuit (I<sub>K</sub>).
  - Without the current limitation function used at, typically, 1.8 x I<sub>N</sub>\*, a considerably higher overcurrent would flow in the event of an overload or a short circuit.
- \* Current limitation typically 1.8 x I<sub>N</sub> where I<sub>N</sub> = 0.5 A ... 6 A  
 Current limitation typically 1.5 x I<sub>N</sub> where I<sub>N</sub> = 8 A or 10 A  
 Current limitation typically 1.3 x I<sub>N</sub> where I<sub>N</sub> = 12 A



### 3.7 Safe shutdown

| Safe shutdown of the EC-E... with different supply line lengths and cable cross-sections                       |  |  |  |   |                   |                    |  |                   |
|--|--|--|--|---|-------------------|--------------------|--|-------------------|
| Specific electrical resistance for electrolytic copper: $\rho_0 = 0.0178 (\Omega \times \text{mm}^2)/\text{m}$ |  |  |  |   |                   |                    |  |                   |
| $U_B = 19.2 \text{ V DC}$ (80% of 24 V DC)   |  |  | The voltage drop on the EC-E... and the tolerance of the shutdown point (typically $1.1 \times I_N = 1.05 \dots 1.35 \times I_N$ ) have already been taken into account. |   |                   |                    |  |                   |
| EC-E... nominal current setting $I_N$ (in A) →   |  |  | <b>3 A</b>   |   | <b>6 A</b>        |                    | → EC-E... typically shuts down after 3 s |                   |
| E.g., shutdown current $I_{\text{shut}} = 1.25 \text{ A} \times I_N$ (in A) →                                  |  |  | 3.75 A   |   | 7.5 A             |                    |  |                   |
| $R_{\text{max}}$ in ohms = $(U_B/I_{\text{shut}}) - 0.050 \Omega^*$ →  |  |  | 5.07 $\Omega$  |   | 2.51 $\Omega$     |                    |  |                   |
| EC-E... trips safely from 0 $\Omega$ up to max. circuit resistance $R_{\text{max}}$                            |  |  |  |   |                   |                    |  |                   |
| Cable cross-section <b>A</b> in $\text{mm}^2$ →  |  | 0.14 $\text{mm}^2$   | 0.25 $\text{mm}^2$   | 0.34 $\text{mm}^2$  | 0.5 $\text{mm}^2$ | 0.75 $\text{mm}^2$ | 1 $\text{mm}^2$                          | 1.5 $\text{mm}^2$ |
| Length <b>L</b> in meters<br>(= single length) ↓   |  | Total cable resistance in ohms = $(R_0 \times 2 \times L)/A$ |  |   |                   |                    |  |                   |
|  |  | ↓  | ↓  | ↓   | ↓                 | ↓                  | ↓  | ↓                 |
| 5 m  |  | 1.27 $\Omega$  | 0.71 $\Omega$  | 0.52 $\Omega$   | 0.36 $\Omega$     | 0.24 $\Omega$      | 0.18 $\Omega$                            | 0.12 $\Omega$     |
| 10 m   |  | 2.54 $\Omega$  | 1.42 $\Omega$  | 1.05 $\Omega$   | 0.71 $\Omega$     | 0.47 $\Omega$      | 0.36 $\Omega$                            | 0.24 $\Omega$     |
| 15 m   |  | 3.81 $\Omega$  | 2.14 $\Omega$  | 1.57 $\Omega$   | 1.07 $\Omega$     | 0.71 $\Omega$      | 0.53 $\Omega$                            | 0.36 $\Omega$     |
| 20 m   |  | 5.09 $\Omega$  | 2.85 $\Omega$  | 2.09 $\Omega$   | 1.42 $\Omega$     | 0.95 $\Omega$      | 0.71 $\Omega$                            | 0.47 $\Omega$     |
| 25 m   |  | 6.36 $\Omega$  | 3.56 $\Omega$  | 2.62 $\Omega$   | 1.78 $\Omega$     | 1.19 $\Omega$      | 0.89 $\Omega$                            | 0.59 $\Omega$     |
| 30 m   |  | 7.63 $\Omega$  | 4.27 $\Omega$  | 3.14 $\Omega$   | 2.14 $\Omega$     | 1.42 $\Omega$      | 1.07 $\Omega$                            | 0.71 $\Omega$     |
| 35 m   |  | 8.90 $\Omega$  | 4.98 $\Omega$  | 3.66 $\Omega$   | 2.49 $\Omega$     | 1.66 $\Omega$      | 1.25 $\Omega$                            | 0.83 $\Omega$     |
| 40 m   |  | 10.17 $\Omega$   | 5.70 $\Omega$  | 4.19 $\Omega$   | 2.85 $\Omega$     | 1.90 $\Omega$      | 1.42 $\Omega$                            | 0.95 $\Omega$     |
| 45 m   |  | 11.44 $\Omega$   | 6.41 $\Omega$  | 4.71 $\Omega$   | 3.20 $\Omega$     | 2.14 $\Omega$      | 1.60 $\Omega$                            | 1.07 $\Omega$     |
| 50 m   |  | 12.71 $\Omega$   | 7.12 $\Omega$  | 5.24 $\Omega$   | 3.56 $\Omega$     | 2.37 $\Omega$      | 1.78 $\Omega$                            | 1.19 $\Omega$     |
| 75 m   |  | 19.07 $\Omega$   | 10.68 $\Omega$   | 7.85 $\Omega$   | 5.34 $\Omega$     | 3.56 $\Omega$      | 2.67 $\Omega$                            | 1.78 $\Omega$     |
| 100 m  |  | 25.34 $\Omega$   | 14.24 $\Omega$   | 10.47 $\Omega$  | 7.12 $\Omega$     | 4.75 $\Omega$      | 3.56 $\Omega$                            | 2.37 $\Omega$     |
| 125 m  |  | 31.79 $\Omega$   | 17.80 $\Omega$   | 13.09 $\Omega$  | 8.90 $\Omega$     | 5.93 $\Omega$      | 4.45 $\Omega$                            | 2.97 $\Omega$     |
| 150 m  |  | 38.14 $\Omega$   | 21.36 $\Omega$   | 15.71 $\Omega$  | 10.68 $\Omega$    | 7.12 $\Omega$      | 5.34 $\Omega$                            | 3.56 $\Omega$     |
| 175 m  |  | 44.50 $\Omega$   | 24.92 $\Omega$   | 18.32 $\Omega$  | 12.46 $\Omega$    | 8.31 $\Omega$      | 6.23 $\Omega$                            | 4.15 $\Omega$     |
| 200 m  |  | 50.86 $\Omega$   | 28.48 $\Omega$   | 20.94 $\Omega$  | 14.24 $\Omega$    | 9.49 $\Omega$      | 7.12 $\Omega$                            | 4.75 $\Omega$     |
| 225 m  |  | 57.21 $\Omega$   | 32.04 $\Omega$   | 23.56 $\Omega$  | 16.02 $\Omega$    | 10.68 $\Omega$     | 8.01 $\Omega$                            | 5.34 $\Omega$     |
| 250 m  |  | 63.57 $\Omega$   | 35.60 $\Omega$   | 26.18 $\Omega$  | 17.80 $\Omega$    | 11.87 $\Omega$     | 8.90 $\Omega$                            | 5.93 $\Omega$     |
| Example 1: Max. permissible length at 1.5 $\text{mm}^2$ and 3 A →  |  |  |  | <b>Approx. 200 m<sup>†</sup></b>  |                   |                    |  |                   |
| Example 2: Max. permissible length at 1.5 $\text{mm}^2$ and 6 A →  |  |  |  | <b>Approx. 100 m</b>  |                   |                    |  |                   |
| Example 3: Mixed wiring:<br>(control cabinet--- sensor/actuator level)   |  |  |  | R1 = 40 m in 1.5 $\text{mm}^2$ and R2 = 5 m in 0.25 $\text{mm}^2$<br>R1 = 0.95 ohms, R2 = 0.71 ohms<br><b>Total (R1 + R2) = 1.66 ohms</b> |                   |                    |  |                   |

\* Internal resistance of miniature circuit-breakers

† Shutdown current  $I_{\text{shut}} = 3 \text{ A} \times 1.25 \text{ A} = 3.75 \text{ A}$   
 Max. current resistance  $R_{\text{max}} = U_B/I_{\text{shut}} - 0.050 \Omega$  (internal resistance of miniature circuit-breakers)  
 $R_{\text{max}} = (19.2 \text{ V}/3.75 \text{ A}) - 0.050 \Omega = 5.07 \Omega$   
 The value calculated, 5.07  $\Omega$ , falls between 200 m and 225 m in the table (4.75  $\Omega$  and 5.34  $\Omega$ ).  
 This means that you can bridge 200 m comfortably.

## 4 Mounting the potential distribution system



Figure 7 Mounting

A potential distribution system is integrated into the EC-E... Various continuous plug-in bridges can be used to create the following wiring configurations:

- LINE +(24 V DC)
- 0 V
- Signal contacts
- Reset inputs



**NOTE:** The EC-E... electronic miniature circuit-breakers require a 0-V connection.

## 5 Application examples



The signal contacts are shown in an off state or fault state.

### 5.1 EC-E1- group signaling (series connection)



Figure 8 EC-E1- group signaling (series connection)

### 5.2 EC-E4 - individual signaling with common supply



Figure 9 EC-E4 - individual signaling with common supply

5.3 EC-E – individual signaling with common reset

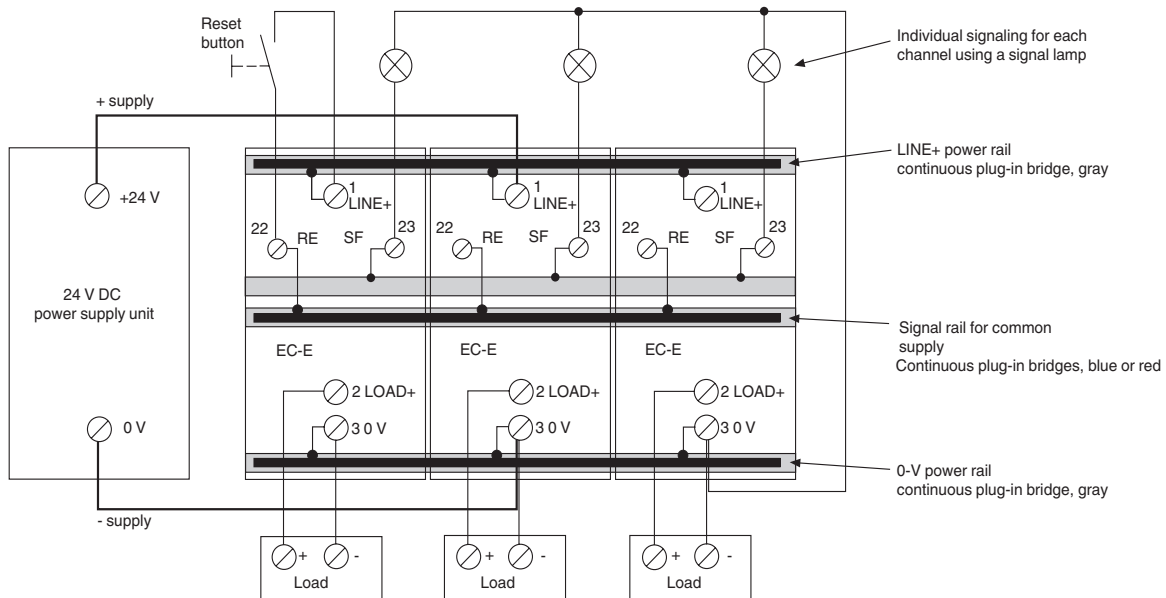


Figure 10 EC-E – individual signaling with common reset



Компания «ЭлектроПласт» предлагает заключение долгосрочных отношений при поставках импортных электронных компонентов на взаимовыгодных условиях!

Наши преимущества:

- Оперативные поставки широкого спектра электронных компонентов отечественного и импортного производства напрямую от производителей и с крупнейших мировых складов;
- Поставка более 17-ти миллионов наименований электронных компонентов;
- Поставка сложных, дефицитных, либо снятых с производства позиций;
- Оперативные сроки поставки под заказ (от 5 рабочих дней);
- Экспресс доставка в любую точку России;
- Техническая поддержка проекта, помощь в подборе аналогов, поставка прототипов;
- Система менеджмента качества сертифицирована по Международному стандарту ISO 9001;
- Лицензия ФСБ на осуществление работ с использованием сведений, составляющих государственную тайну;
- Поставка специализированных компонентов (Xilinx, Altera, Analog Devices, Intersil, Interpoint, Microsemi, Aeroflex, Peregrine, Syfer, Eurofarad, Texas Instrument, Miteq, Cobham, E2V, MA-COM, Hittite, Mini-Circuits, General Dynamics и др.);

Помимо этого, одним из направлений компании «ЭлектроПласт» является направление «Источники питания». Мы предлагаем Вам помощь Конструкторского отдела:

- Подбор оптимального решения, техническое обоснование при выборе компонента;
- Подбор аналогов;
- Консультации по применению компонента;
- Поставка образцов и прототипов;
- Техническая поддержка проекта;
- Защита от снятия компонента с производства.



#### Как с нами связаться

**Телефон:** 8 (812) 309 58 32 (многоканальный)

**Факс:** 8 (812) 320-02-42

**Электронная почта:** [org@eplast1.ru](mailto:org@eplast1.ru)

**Адрес:** 198099, г. Санкт-Петербург, ул. Калинина, дом 2, корпус 4, литера А.