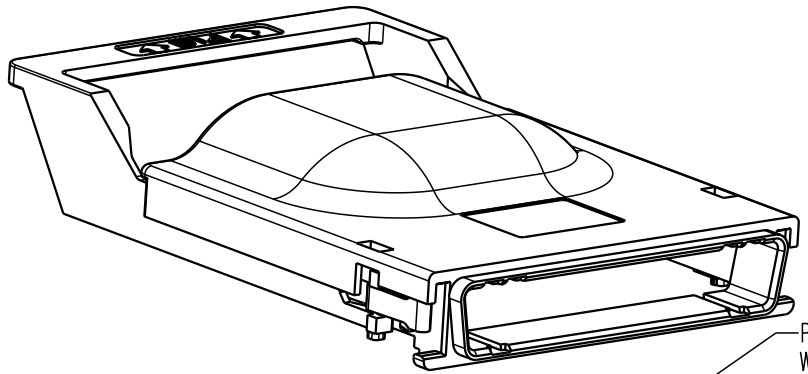
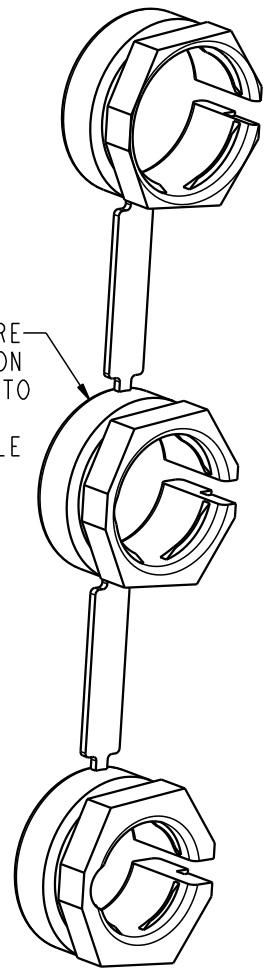


PRODUCT NUMBER
SEE TABLE

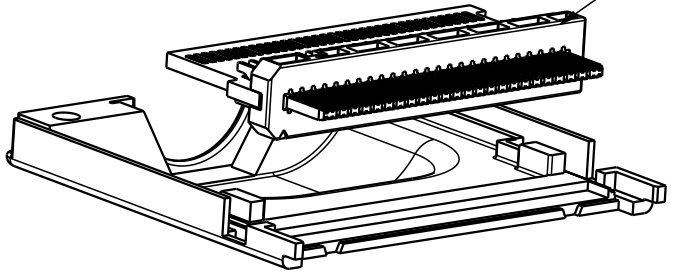
Tous droits strictement réservés. Reproduction ou communication à des tiers interdite sous quelque forme que ce soit sans autorisation écrite du propriétaire. Propriété de FCI. Droits de reproduction FCI.



CABLE COLLAR, 3 SIZES ARE PROVIDED, SEE APPLICATION SPECIFICATION: GS-20-026 TO SELECT THE CORRECT SIZE FOR THE DIAMETER OF CABLE



PLUG ASSEMBLY WITH OR WITHOUT PCB
SEE CHART ON SHEET 5.



M2.5 x 0.45 OVAL HEAD SCREWS



All rights strictly reserved. Reproduction or issue to third parties in any form whatever is not permitted without written authority from the proprietor. Property of FCI. Copyright FCI.

TOLERANCES UNLESS OTHERWISE SPECIFIED			
LINEAR	0.X	±.3	
	0.XX	±.10	
	0.XXX	±.050	
ANGULAR	0°	±2°	

rev	ecn no	dr	date
C	V03-0415	GIP	04/15/03
D	V03-0796	GIP	07/21/03
E	V05-0528	DAI	06/30/05
F	V04-0008	DAI	01/28/04
G	V04-0508	DAI	06/16/04
H	V05-0064	TAB	03/03/05
J	V05-0528	DAI	06/30/05

A FCI		www.fciconnect.com		surface 3.2 ASME Y14.5	tolerance ASME Y14.5	projection ASME Y14.5	MM
Dr	D.FUSSELMAN	3/20/02	Product family	EYEMAX(tm)		size	A4
Eng	S.OLSON	3/20/02	Spec ref			Scale	1:2
Chr	T.BRUNGARD	7/30/02	Material	SEE NOTES		ECN	V05-0528
Appr	D.BRANN	7/30/02					
title						dwg no	Rev.
12X PLUG KIT						58442	J
EYEMAX(TM)						sheet 1 of 5	
catalog no						CUSTOMER	

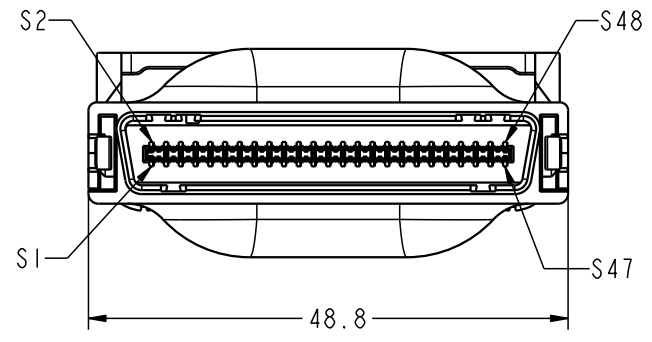
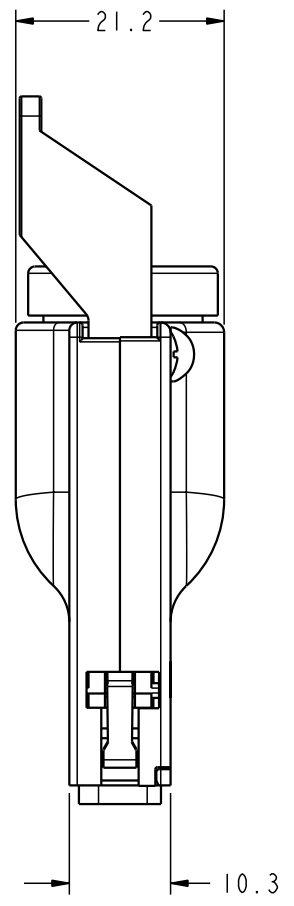
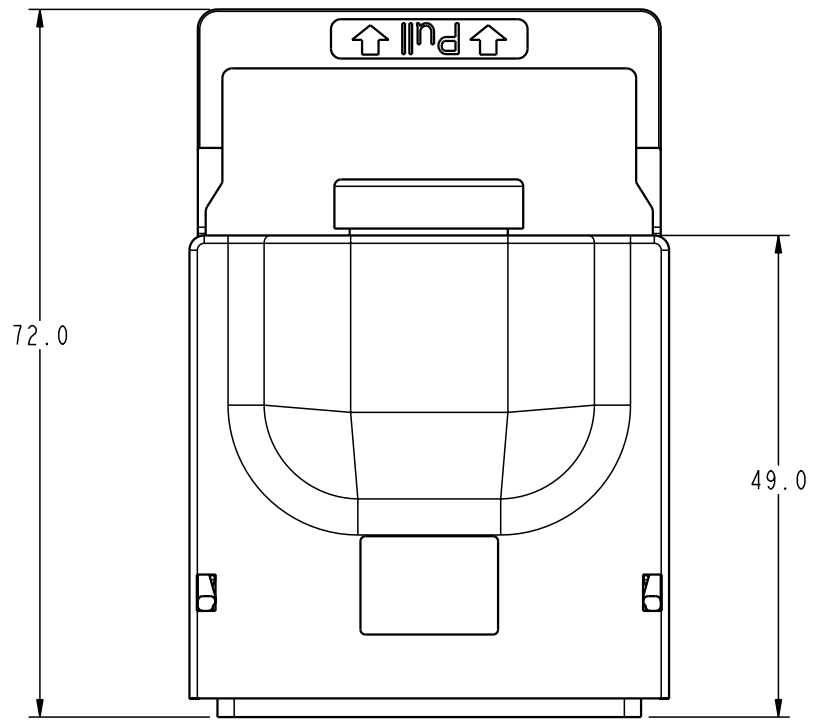
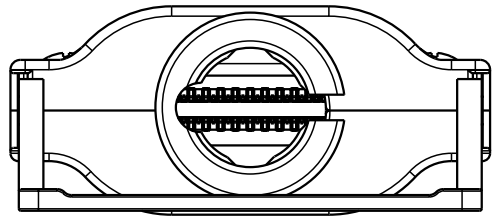
1

2

3

4

PRODUCT NUMBER
SEE TABLE



Tous droits strictement reserves. Reproduction ou communication a des tiers interdite sous quelque forme que ce soit sans autorisation écrite du propriétaire. Propriete de c FCI. Droits de reproduction FCI.



All rights strictly reserved. Reproduction or issue to third parties in any form whatever is not permitted without written authority from the proprietor. Property of FCI. Copyright FCI.

title	12X PLUG KIT		dwg no	58442	Rev.	J
	EYEMAX (TM)			CUSTOMER		sheet 2 of 5
catalog no	-					

3 PDM: Rev:J

STATUS Released

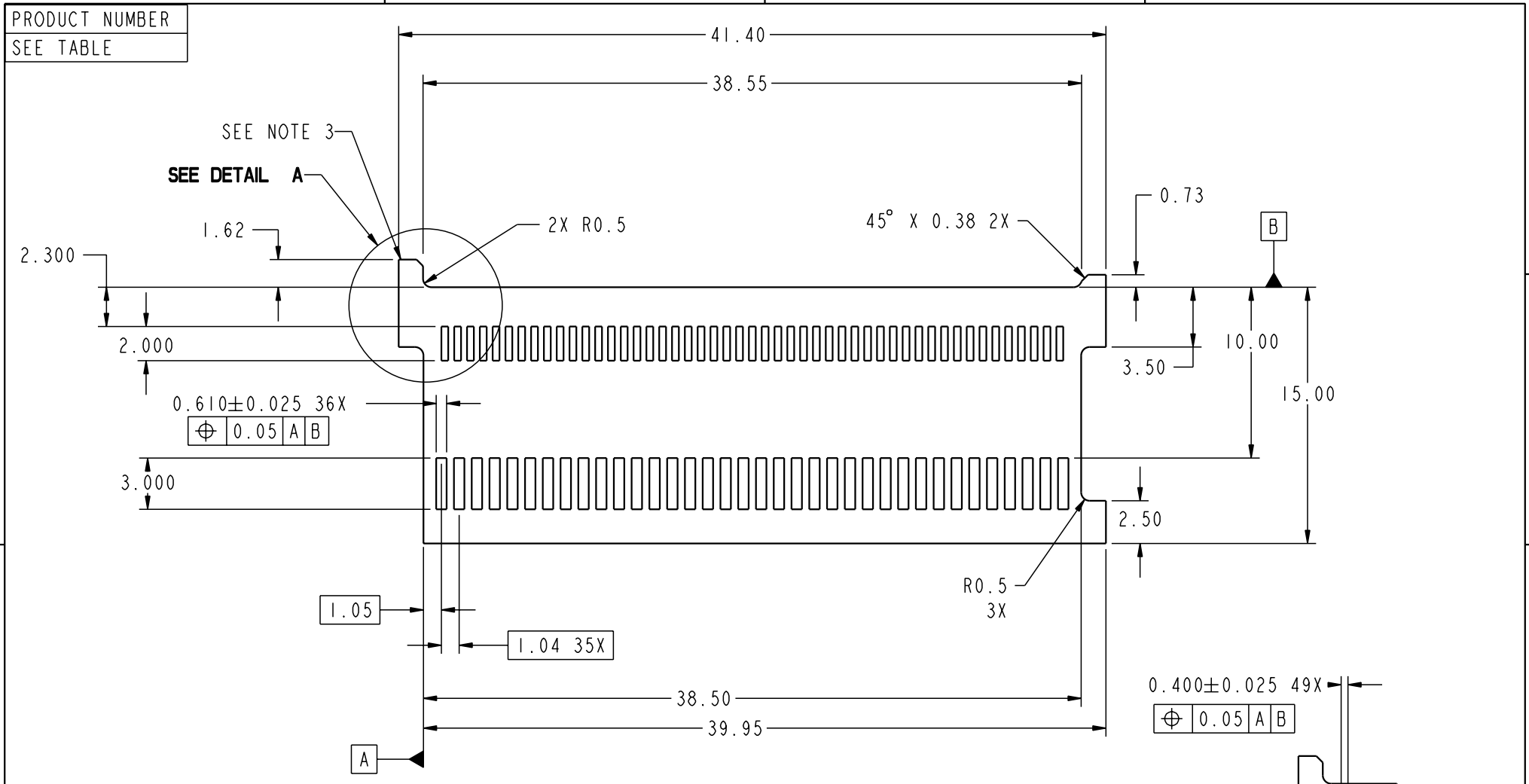
4 Printed: Jul 22, 2010

A
B
C
D

Tous droits strictement réservés. Reproduction ou communication à des tiers interdite sous quelque forme que ce soit sans autorisation écrite du propriétaire. Propriété de FCI. Droits de reproduction FCI.



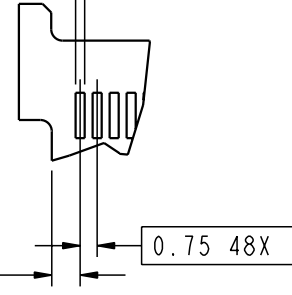
All rights strictly reserved. Reproduction or issue to third parties in any form whatever is not permitted without written authority from the proprietor. Property of FCI. Copyright FCI.



**RECOMMENDED PCB LAYOUT,
FOR UNEQUALIZED PLUG ASSEMBLY**

SCALE 3:1

**DETAIL A
SCALE 3:1**



- PCB NOTES:
- PADS ON BOTH SIDES OF PCB.
 - DIMENSIONS APPLY TO BOTH SIDES OF PCB LOCATED FROM DATUM A & B.
 - (3)** THIS AREA NOT TO BE USED TO LOCATE SOLDER TAILS TO SOLDER PADS. THIS AREA IS TO AID IN ASSEMBLY BY LIMITING THE TOP & BOTTOM MOVEMENT OF THE PADDLE CARD.
 - PCB THICKNESS: 1.57mm (.062").

title	12X PLUG KIT EYEMAX (TM)	dwg no	58442	Rev.	J
catalog no	-	CUSTOMER	sheet 3 of 5		

1

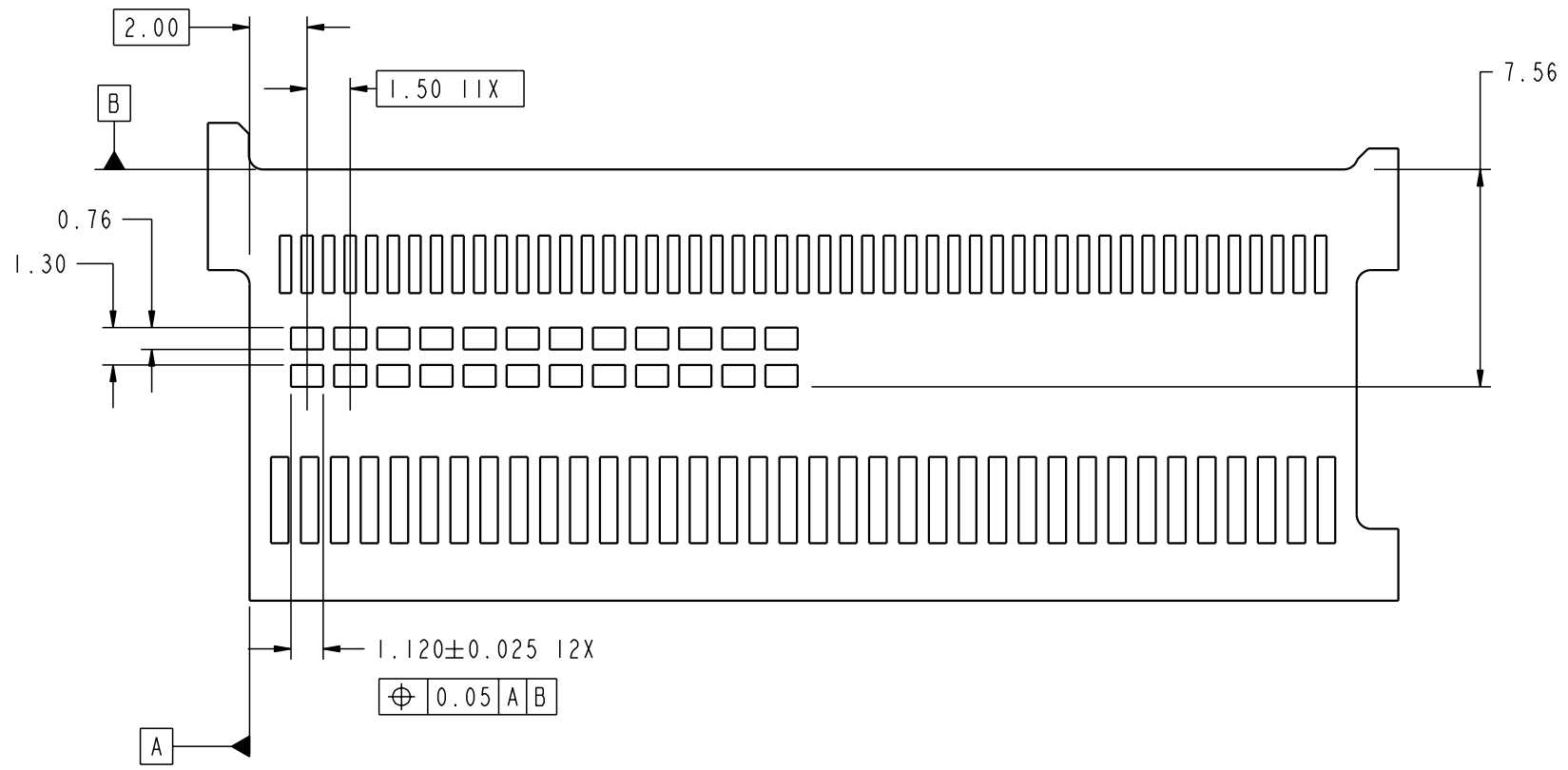
2

3

4

PRODUCT NUMBER
SEE TABLE

Tous droits strictement reserves. Reproduction ou communication a des tiers interdite sous quelque forme que ce soit sans autorisation ecrite du proprietaire. Propriete de c FCI. Droits de reproduction FCI.



RECOMMENDED PCB LAYOUT FOR EQUALIZED PLUG ASSEMBLY*

*COMPONENT PADS ADDED TO EQUALIZED PCB,
ALL OTHER DIMENSIONS THE SAME AS
UNEQUALIZED PCB AS SHOWN ON SHT. 3.
SEE PCB NOTES ON SHEET 3

All rights strictly reserved. Reproduction or issue to third parties in any form whatever is not permitted without written authority from the proprietor. Property of FCI. Copyright FCI.

title	12X PLUG KIT EYEMAX (TM)	dwg no	58442	Rev.	J
catalog no	-	CUSTOMER	sheet 4 of 5		

3 PDM: Rev:J

STATUS Released

4 Printed: Jul 22, 2010

A
B
C
D

Tous droits strictement réservés. Reproduction ou communication à des tiers interdite sous quelque forme que ce soit sans autorisation écrite du propriétaire. Propriété de FCI. Droits de reproduction FCI.

A
FCI

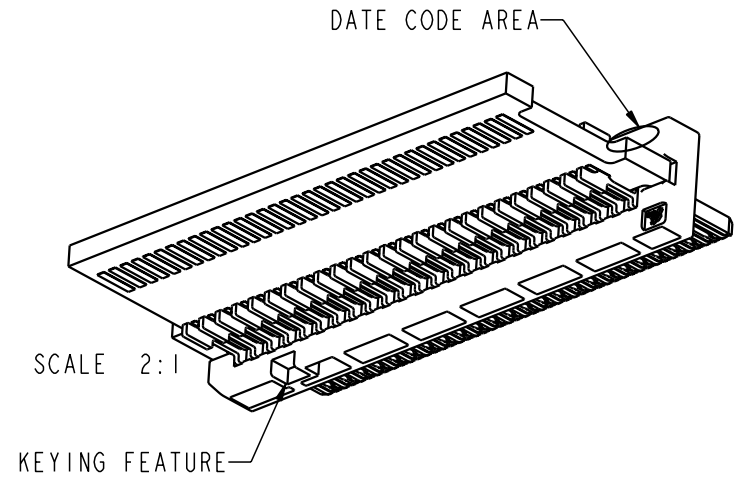
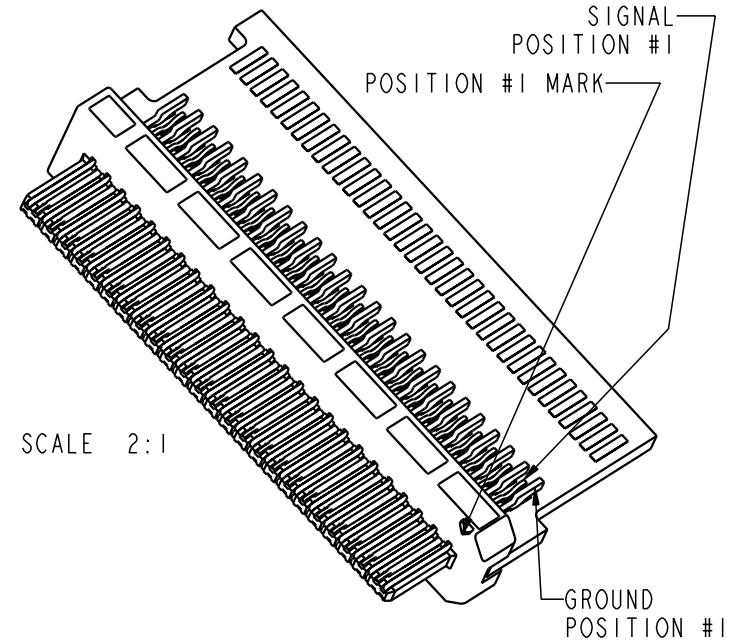
All rights strictly reserved. Reproduction or issue to third parties in any form whatever is not permitted without written authority from the proprietor. Property of FCI. Copyright FCI.

* PRODUCT NUMBER	DESCRIPTION
58442-001	PLUG KIT WITH UNEQUALIZED P1 PCB
58442-002	PLUG KIT WITHOUT PCB
58442-003	PLUG KIT WITH EQUALIZED P1 PCB WITHOUT COMPONENTS
58442-004	PLUG KIT FOR EQUALIZED P1 PCB WITH COMPONENTS
58442-101	PLUG KIT WITH UNEQUALIZED P2 PCB
58442-103	PLUG KIT WITH EQUALIZED P2 PCB WITHOUT COMPONENTS
58442-104	PLUG KIT FOR EQUALIZED P2 PCB WITH COMPONENTS

* ADD LF TO PART NUMBER FOR LEAD FREE SOLDER TAILS
EXAMPLE: 58442-001LF SEE NOTES 1, 4, 7 AND 8

NOTES:

- ① PACKAGING SPECIFICATION GS-14-794
PACKAGING OF LEAD FREE PRODUCTS MEETS LABELING AND PACKAGING SPECIFICATION GS-14-920.
2. APPLICATION SPECIFICATION GS-20-026 FOR PADDLE CARD AND CABLE TERMINATION DETAILS. FOR EASE OF WIRE MANAGEMENT, A P1 ASSEMBLY IS RECOMMENDED ON ONE END OF THE CABLE AND A P2 ASSEMBLY ON THE OTHER END.
3. PRODUCT SPECIFICATION GS-12-209
- ④ MATERIAL:
CONTACTS: COPPER ALLOY WITH GOLD OVER NICKEL PLATING IN THE CONTACT AREA AND TIN/LEAD PLATING ON SOLDER TAILS UNLESS THE PART NUMBER ENDS IN LF
LEAD FREE SOLDER TAIL PLATING 2um (80u") MIN MATTE TIN OVER 1.27um(50u") MIN NICKEL UNDERPLATE.
HOUSING: HIGH TEMPERATURE THERMOPLASTIC, UL 94V-0 RATED SUITABLE FOR REFLOW SOLDERING.
SHELLS: ZINC WITH NICKEL PLATING AND COPPER UNDERPLATING
PULL TAB & CABLE COLLAR: THERMOPLASTIC
LATCH: STAINLESS STEEL
5. MATES WITH RECEPTACLE 58366 OR 58367.
6. PLUG ASSEMBLIES, COVER ASSEMBLY KITS (58477) AND CABLE COLLARS (10007641) CAN BE PURCHASED AS SEPERATE ITEMS. PLUG ASSEMBLY DRAWINGS ARE 58443-NO PCB, 58638-UNEQUALIZED, 10026694-EQUALIZED.
- ⑦ IF LEAD FREE PART NUMBER, THE HOUSING WILL WITHSTAND EXPOSURE TO 260°C PEAK TEMPERATURE FOR 10 SECONDS IN A WAVE SOLDER APPLICATION WITH A 1.60mm MIN THICK CIRCUIT BOARD.
- ⑧ LEAD FREE PRODUCTS MEET EUROPEAN UNION DIRECTIVES AND OTHER COUNTRY REGULATIONS AS DESCRIBED IN GS-22-008.



title	12X PLUG KIT	dwg no	58442	Rev.	J
	EYEMAX (TM)				
catalog no	-	CUSTOMER	sheet 5 of 5		



Компания «ЭлектроПласт» предлагает заключение долгосрочных отношений при поставках импортных электронных компонентов на взаимовыгодных условиях!

Наши преимущества:

- Оперативные поставки широкого спектра электронных компонентов отечественного и импортного производства напрямую от производителей и с крупнейших мировых складов;
- Поставка более 17-ти миллионов наименований электронных компонентов;
- Поставка сложных, дефицитных, либо снятых с производства позиций;
- Оперативные сроки поставки под заказ (от 5 рабочих дней);
- Экспресс доставка в любую точку России;
- Техническая поддержка проекта, помощь в подборе аналогов, поставка прототипов;
- Система менеджмента качества сертифицирована по Международному стандарту ISO 9001;
- Лицензия ФСБ на осуществление работ с использованием сведений, составляющих государственную тайну;
- Поставка специализированных компонентов (Xilinx, Altera, Analog Devices, Intersil, Interpoint, Microsemi, Aeroflex, Peregrine, Syfer, Eurofarad, Texas Instrument, Miteq, Cobham, E2V, MA-COM, Hittite, Mini-Circuits, General Dynamics и др.);

Помимо этого, одним из направлений компании «ЭлектроПласт» является направление «Источники питания». Мы предлагаем Вам помощь Конструкторского отдела:

- Подбор оптимального решения, техническое обоснование при выборе компонента;
- Подбор аналогов;
- Консультации по применению компонента;
- Поставка образцов и прототипов;
- Техническая поддержка проекта;
- Защита от снятия компонента с производства.



Как с нами связаться

Телефон: 8 (812) 309 58 32 (многоканальный)

Факс: 8 (812) 320-02-42

Электронная почта: org@eplast1.ru

Адрес: 198099, г. Санкт-Петербург, ул. Калинина, дом 2, корпус 4, литера А.