

Electro-magnetic door locks are the most convenient and effective way to achieve secure access control. This lock is rated at 1200 pounds holding force, and is supplied with a kit of fixing brackets & armature plate.

Installation

- Select door type from the following pages, use the instructions on each page
- Before you start : check off the contents list to identify the parts you will use
- Also check you have the correct tools to hand



Contents - DSL5501

Item	Qty	Description
1	1	Maglock – 1200 Lbs
2	8	Fixing Screw, No.8 x 1.25" CSK Pozi
3	2	Fixing Screw, No.10 x 0.625"
4	3	Fixing Screw, M5 x 8mm CSK Pozi Replaces fixings on Maglock when L plate is used.
5	2	Anti-tamper pin
6	2	M4 x 6mm CSK Pozi (for anti-tamper pin fixing)
7	1	Armature
8	1	Armature bolt - 35mm long
9	2	Blanking disk for Maglock mounting fixing holes.
10	2	Armature Insert roll pin
11	1	Sleeve nut
12	1	Sleeve nut spacer tube
13	2	Armature bolt spacing washer - steel
14	2	Armature bolt spacing washer - rubber
15	2	Allen Keys – 5mm and 3mm A/F
16	1	Fitting/Drilling Template

Contents - EA340

17	1	"Z" Plate for alternative mounting – 90° Armature Mount
18	1	"Z" Plate for alternative mounting – 90° Angle plate
19	1	"L" Plate for alternative mounting
20	1	Armature bolt - 25mm long
21	4	M5 x 12mm CSK Pozi

This product is supplied with brackets & fixings for most door configurations

DEL1200 Lock

Current Draw **500mA/12V DC, 250mA/24VDC**
Voltage Selection via **jumper**
Holding Force **1200 Lb**

Operational Temp **-20°C to 60°C**
Approvals **UL864**
Packed Size **300 x 190 x 105mm, 6385g**
Lock Size **266 x 72 x 43mm**

Order Codes for AXS Accessories

MAG LOCKS	
DEL600	Door Lock 600 lbs with brackets
DEL1200	Door Lock 1200 lbs with brackets
DEGL1200	Gate Lock 1200 lbs with brackets
PSU	
DEPSU03	Power Supply in Wall Box, 120V, 6A/12V o/p
SWITCHES	
DEEX010	Remote Exit Switch (IR)
DEEM010	Emergency Override Switch with Siren

Select door type on following pages

FOR SINGLE HINGE DOOR ABOVE DOOR
FOR SINGLE HINGE DOOR INSIDE FRAME
FOR SLIDING DOOR

You will also need

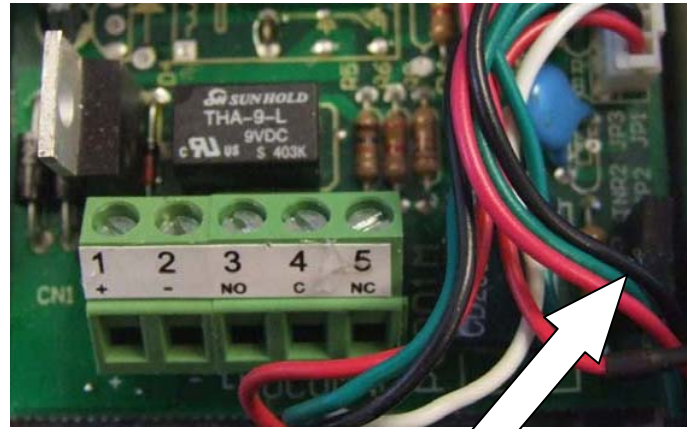
POZI #2 AND #1 SCREWDRIVER , FLAT TERMINAL SCREWDRIVER
5MM HEX BIT DRIVER
THREAD LOCKING COMPOUND



Wiring Connections

12 V Operation

- Remove the cover
- Set the Jumper to 12 V
- Connect +12V to terminal 1
- Connect 0V to terminal 2
- Replace the cover



24 V Operation

- Remove the cover
- Set the Jumper to 24 V
- Connect +24V to terminal 1
- Connect 0V to terminal 2
- Replace the cover

12V DC 0.5A (Min)



24V DC 0.25A (Min)

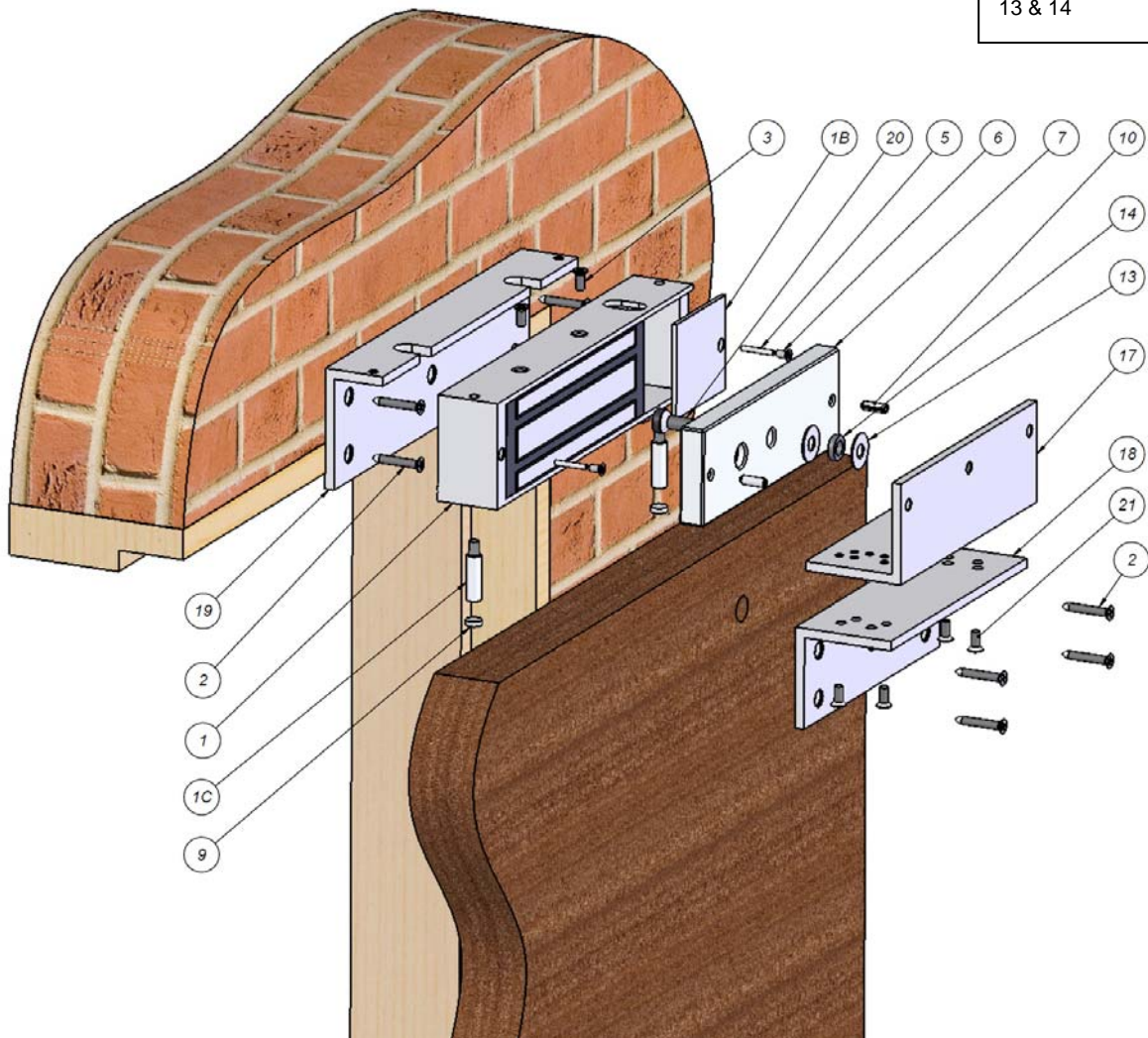
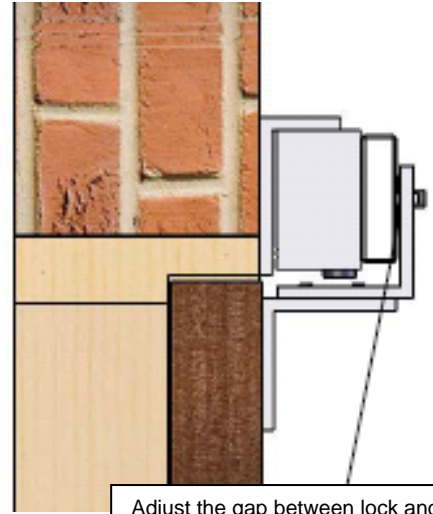


**SELECT CORRECT JUMPER SETTING
FOR VOLTAGE USED**



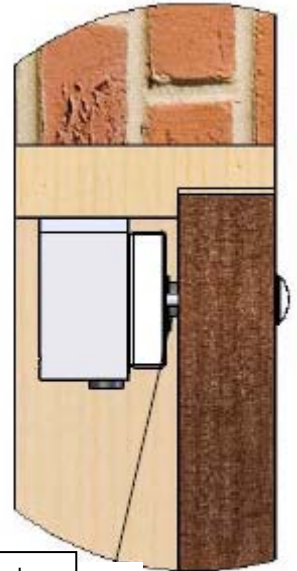
Installation Above Door

1. Check off the contents and ensure you have the tools required.
2. Use the drill template to install the L bracket Item 19 above the door.
3. Check the door still closes.
4. Remove Qty 2 screws and replace with counter sink screws
5. Fit the maglock to the L bracket using 2 Security Screws Item 1C.
6. Assemble (threadlock on 20,21,) both Z plates and the Armature plate as shown.
7. Close the door and use the Z plate to mark the door for drilling.
8. Fit the Armature assembly to the door.
9. Check that the Armature plate and mag lock are aligned.
10. Use rubber spacer washers (or use alternate Z bracket fixing positions) to ensure that the Armature plate and Mag Lock just touch.
11. Set the jumper to correct voltage, connect wiring and test. Replace cover plate.

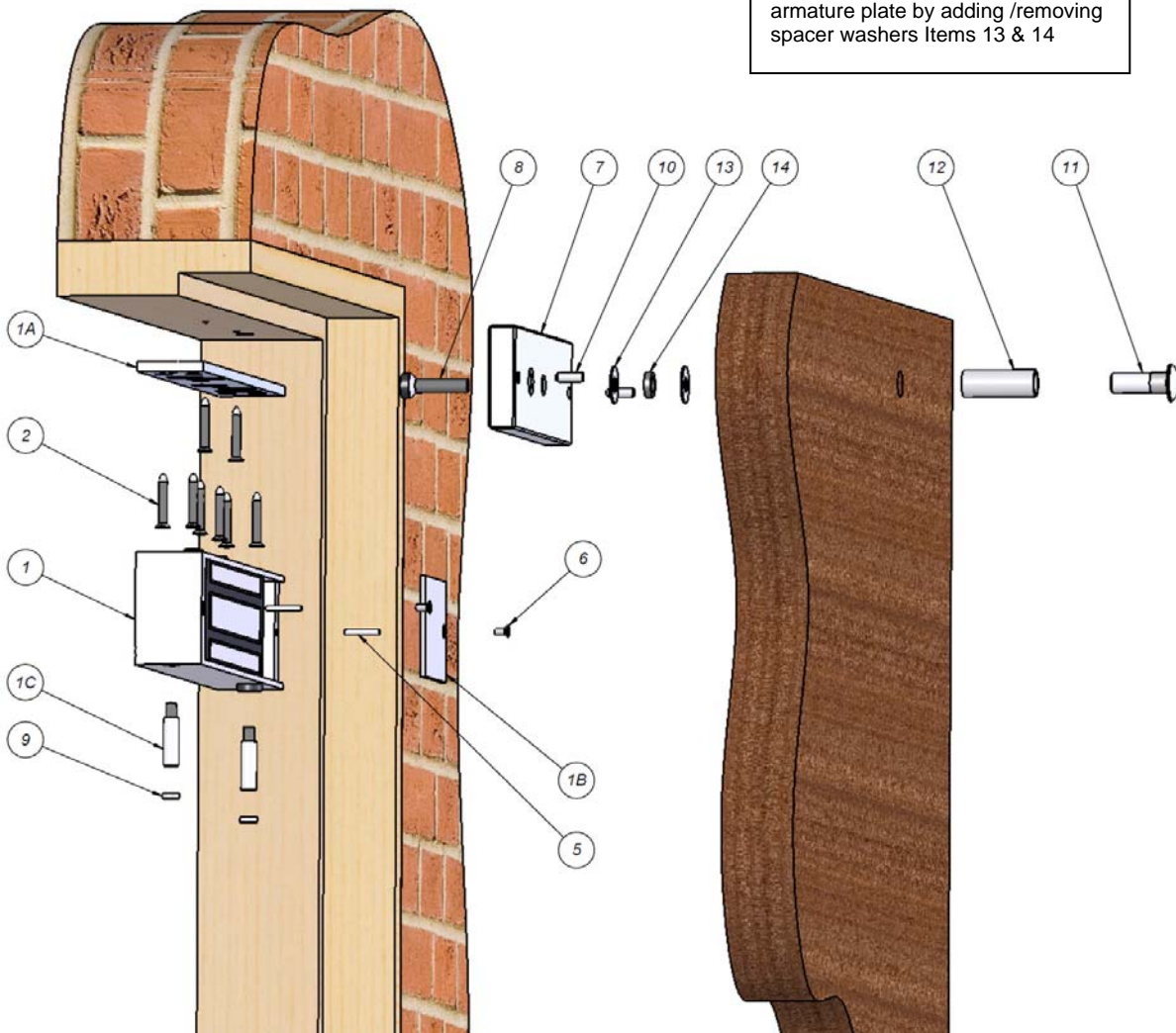


Installation Inside Frame

1. Check off the contents and ensure you have the tools required.
2. Use the drill template to install the mounting bracket Item 1A inside the door frame.
3. Drill frame for cable entry and run cable for maglock.
4. Fit the maglock to the bracket using 2 Security Screws Item 1C.
5. Close the door and use the armature to mark the door for drilling.
6. Fit the Armature (threadlock on 8) to the door.
7. Make sure the Armature and mag lock are aligned.
8. Use spacer washers to get the Armature plate and Mag Lock to just touch.
9. Set the jumper to correct voltage, connect wiring and test.

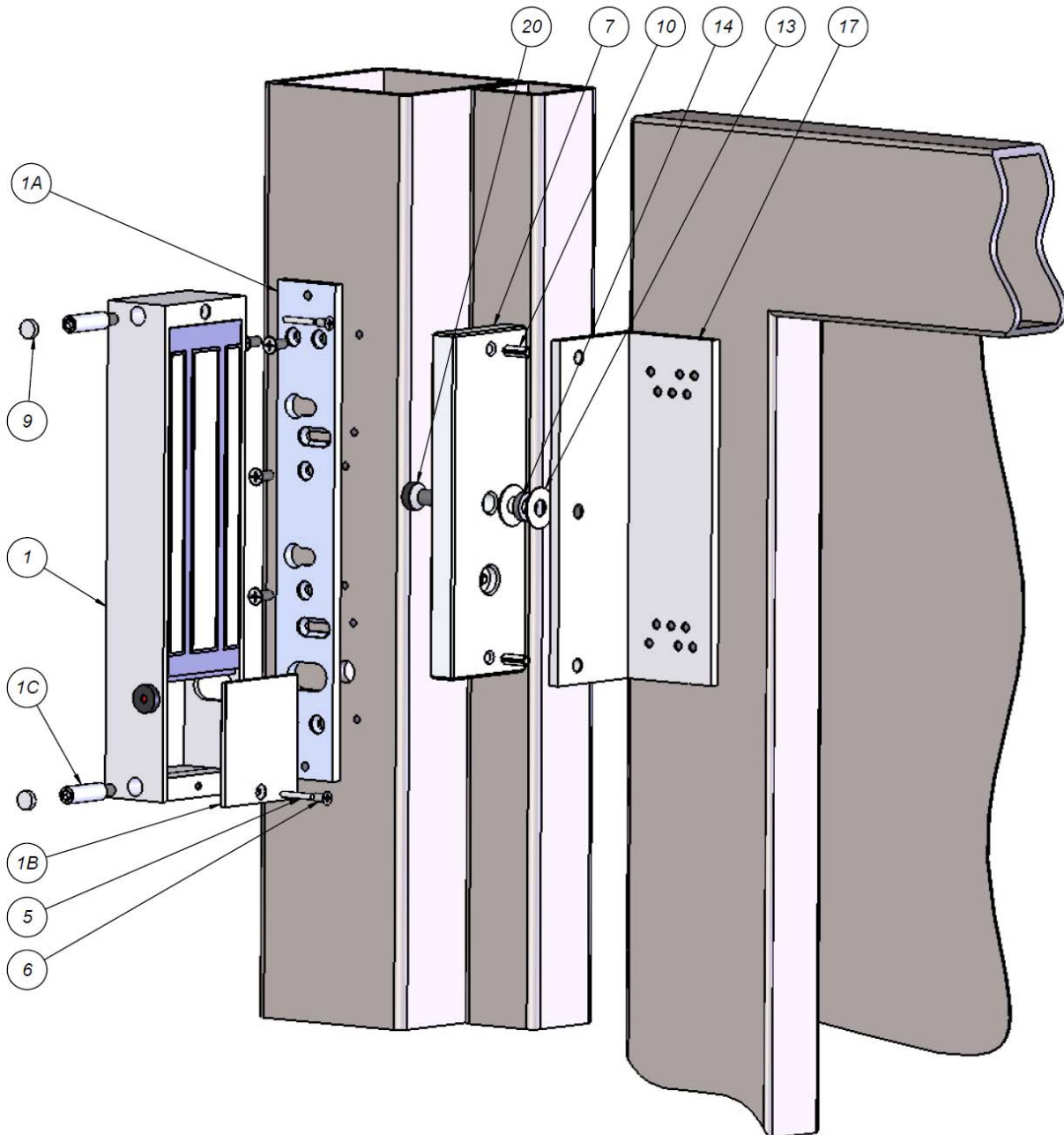
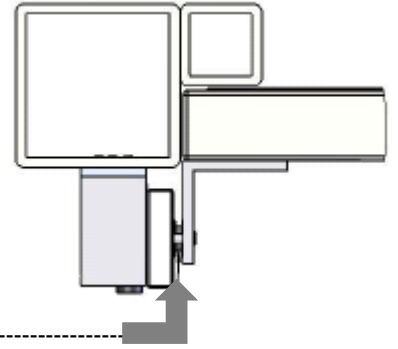


Adjust the gap between lock and armature plate by adding /removing spacer washers Items 13 & 14



Installation for Sliding Door

1. Check off the contents and ensure you have the tools required.
2. Use the drill template to install the mounting bracket Item 1A to the door frame.
3. Fit the maglock to the bracket using 2 Security Screws Item 1C.
4. Close the door and use the Z plate item 17 to mark the door for drilling.
5. Fit the Z plate and Armature (threadlock on 20) to the door.
6. Make sure the Armature and mag lock are aligned.
7. Use spacer washers to get the Armature plate and Mag Lock to just touch -----





Компания «ЭлектроПласт» предлагает заключение долгосрочных отношений при поставках импортных электронных компонентов на взаимовыгодных условиях!

Наши преимущества:

- Оперативные поставки широкого спектра электронных компонентов отечественного и импортного производства напрямую от производителей и с крупнейших мировых складов;
- Поставка более 17-ти миллионов наименований электронных компонентов;
- Поставка сложных, дефицитных, либо снятых с производства позиций;
- Оперативные сроки поставки под заказ (от 5 рабочих дней);
- Экспресс доставка в любую точку России;
- Техническая поддержка проекта, помощь в подборе аналогов, поставка прототипов;
- Система менеджмента качества сертифицирована по Международному стандарту ISO 9001;
- Лицензия ФСБ на осуществление работ с использованием сведений, составляющих государственную тайну;
- Поставка специализированных компонентов (Xilinx, Altera, Analog Devices, Intersil, Interpoint, Microsemi, Aeroflex, Peregrine, Syfer, Eurofarad, Texas Instrument, Miteq, Cobham, E2V, MA-COM, Hittite, Mini-Circuits, General Dynamics и др.);

Помимо этого, одним из направлений компании «ЭлектроПласт» является направление «Источники питания». Мы предлагаем Вам помощь Конструкторского отдела:

- Подбор оптимального решения, техническое обоснование при выборе компонента;
- Подбор аналогов;
- Консультации по применению компонента;
- Поставка образцов и прототипов;
- Техническая поддержка проекта;
- Защита от снятия компонента с производства.



Как с нами связаться

Телефон: 8 (812) 309 58 32 (многоканальный)

Факс: 8 (812) 320-02-42

Электронная почта: org@eplast1.ru

Адрес: 198099, г. Санкт-Петербург, ул. Калинина, дом 2, корпус 4, литера А.