

Features

- On-state RMS current, $I_{T(RMS)}$ 12 A
- Repetitive peak off-state voltage, V_{DRM} and V_{RRM} 600 V, 800 V and 1000 V
- Triggering gate current, I_{GT} 5 mA or 15 mA

Description

The standard 12 A SCR series is suitable to fit all modes of control, found in applications such as overvoltage crowbar protection, motor control circuits in power tools and kitchen aids, inrush current limiting circuits, capacitive discharge ignition and voltage regulation circuits.

Available in through-hole or surface-mount packages, they provide an optimized performance in a limited space.

Table 1. Device summary

| Order code | Voltage V_{DRM} / V_{RRM} (V) | | | I_{GT} (mA) | Package |
|----------------|---------------------------------|-----|------|---------------|--------------------|
| | 600 | 800 | 1000 | | |
| TYN1012RG | | | x | 15 | TO-220AB |
| TYN1012TRG | | | x | 5 | TO-220AB |
| TYN612RG | x | | | 15 | TO-220AB |
| TYN612TRG | x | | | 5 | TO-220AB |
| TYN812RG | | x | | 15 | TO-220AB |
| TYN812TRG | | x | | 5 | TO-220AB |
| TN1215-600B | x | | | 15 | DPAK |
| TN1215-600B-TR | x | | | 15 | DPAK |
| TN1215-600G | x | | | 15 | D ² PAK |
| TN1215-600G-TR | x | | | 15 | D ² PAK |
| TN1215-600H | x | | | 15 | IPAK |
| TN1215-800B-TR | | x | | 15 | DPAK |
| TN1215-800G-TR | | x | | 15 | D ² PAK |
| TN1215-800H | | x | | 15 | IPAK |

1 Characteristics

Table 2. Absolute ratings (limiting values)

| Symbol | Parameter | | | Value | | Unit |
|--------------------|--|-------------------------------------|-------------------------------|---------------------------------------|--|------------------|
| | | | | TN1215-x00B TN1215-x00H (1) (2) | TN1215-x00G ⁽¹⁾⁽²⁾ TYNx12 ⁽²⁾⁽³⁾ TYNx12T ⁽²⁾⁽³⁾ | |
| $I_{T(RMS)}$ | On-state RMS current (180° conduction angle) | TO-220AB ins. D ² PAK | $T_C = 110\text{ °C}$ | 12 | | A |
| $I_{T(AV)}$ | Average on-state current (180° conduction angle) | DPAK IPAK | | 8 | | |
| I_{TSM} | Non repetitive surge peak on-state current | $t_p = 8.3\text{ ms}$ | $T_{jinitial} = 25\text{ °C}$ | 115 | 145 | A |
| | | $t_p = 10\text{ ms}$ | | 110 | 140 | |
| i^2t | i^2t value for fusing | | $T_{jinitial} = 25\text{ °C}$ | 60 | 98 | A ² S |
| di/dt | Critical rate of rise of on- state current $I_G = 2 \times I_{GT}, t_r \leq 100\text{ ns}$ | F = 60 Hz | $T_j = 125\text{ °C}$ | 50 | | A/ μ s |
| I_{GM} | Peak gate current | $t_p = 20\text{ }\mu$ s | $T_j = 125\text{ °C}$ | 4 | | A |
| $P_{G(AV)}$ | Average gate power dissipation | | $T_j = 125\text{ °C}$ | 1 | | W |
| T_{stg} T_j | Storage junction temperature range Operating junction temperature range | | | - 40 to + 150 - 40 to + 125 | | °C |
| V_{RGM} | Maximum peak reverse gate voltage | | | 5 | | V |

1. x00= 600, 800
2. Check [Table 1](#) for devices availability
3. x= 6,8,10

Table 3. Standard electrical characteristics (T_j = 25 °C, unless otherwise specified)

| Symbol | Test conditions | | TN1215-x00 ⁽¹⁾⁽²⁾ | | TYN ⁽²⁾ | | Unit | |
|--------------------------------------|---|-------------------------|------------------------------|------|---------------------|--------------------|------|------|
| | | | -B/-H | -G | x12T ⁽³⁾ | x12 ⁽³⁾ | | |
| I _{GT} | V _D = 12 V, R _L = 33 Ω | | Min. | 2 | | 0.5 | 2 | mA |
| | | | Max. | 15 | | 5 | 15 | |
| V _{GT} | | | Max. | 1.3 | | | V | |
| V _{GD} | V _D = V _{DRM} , R _L = 3.3 kΩ | T _j = 125 °C | Min. | 0.2 | | | V | |
| I _H | I _T = 500 mA, gate open | | Max. | 40 | 30 | 15 | 30 | mA |
| I _L | I _G = 1.2 I _{GT} | | Max. | 80 | 60 | 30 | 60 | mA |
| dV/dt | V _D = 67% V _{DRM} , gate open | T _j = 125 °C | Min. | 200 | | 40 | 200 | V/μs |
| V _{TM} | I _{TM} = 24 A t _p = 380 μs | T _j = 25 °C | Max. | 1.6 | | | V | |
| V _{to} | Threshold voltage | | Max. | 0.85 | | | V | |
| R _d | Dynamic resistance | | Max. | 30 | | | mΩ | |
| I _{DRM} I _{RRM} | V _D = V _R = V _{DRM} = V _{RRM} | | T _j = 25 °C | Max. | | | 5 | μA |
| | | | T _j = 125 °C | | | | 2 | mA |

1. x00= 600, 800
2. Check [Table 1](#) for devices availability
3. x= 6,8,10

Table 4. Thermal resistance

| Symbol | Parameter | | Value | Unit | |
|----------------------|--------------------------|--|--|----------|------|
| R _{th(j-c)} | Junction to case (DC) | | D ² PAK, DPAK, IPAK, TO-220AB | 1.3 °C/W | |
| R _{th(j-a)} | Junction to ambient (DC) | S ⁽¹⁾ = 0.5 cm ² | DPAK | 70 | °C/W |
| | | S ⁽¹⁾ = 1.0 cm ² | D ² PAK | 45 | |
| | | | IPAK | 100 | |
| | | | TO-220AB | 60 | |

1. S = Copper surface under tab

Figure 1. Maximum average power dissipation versus average on-state current

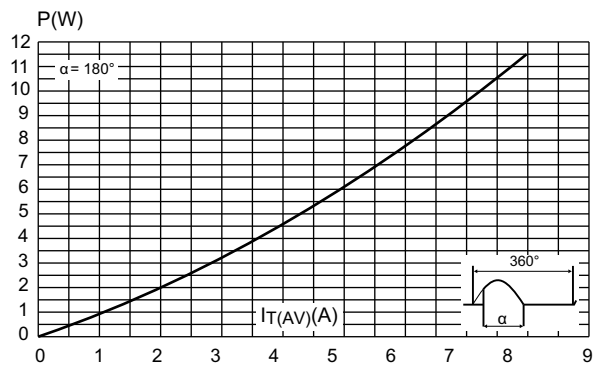


Figure 2. Average and DC on-state current versus case temperature

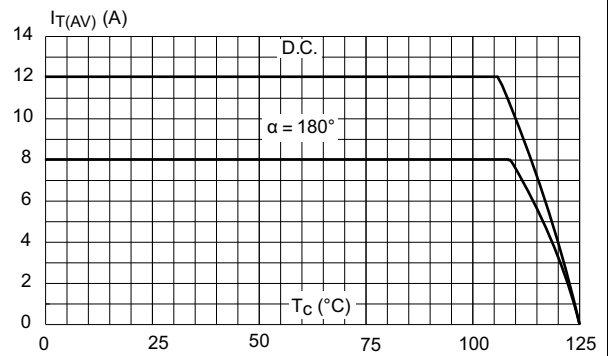


Figure 3. Average and DC on-state current versus ambient temperature (DPAK, D²PAK)

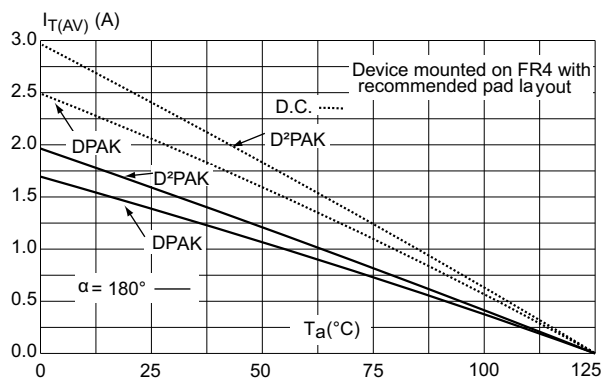


Figure 4. Relative variation of thermal impedance junction to case versus pulse duration

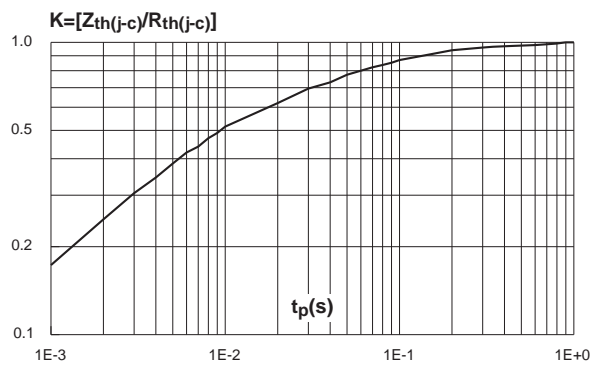


Figure 5. Relative variation of thermal impedance junction to ambient versus pulse duration

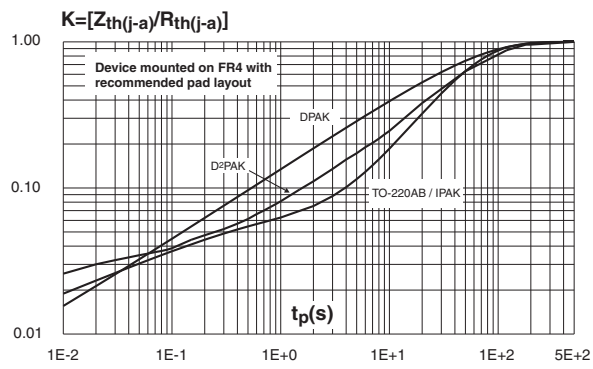


Figure 6. Relative variation of gate trigger, latching and holding current versus junction temperature

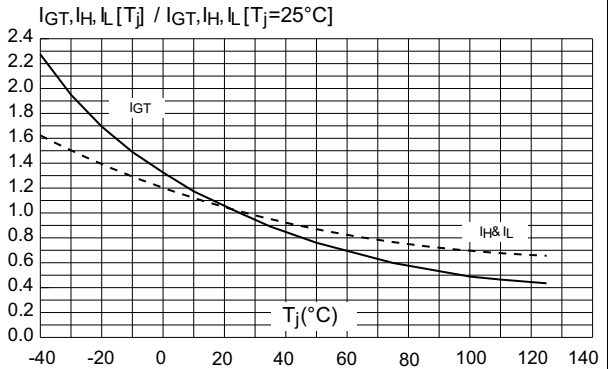


Figure 7. Surge peak on-state current versus number of cycles

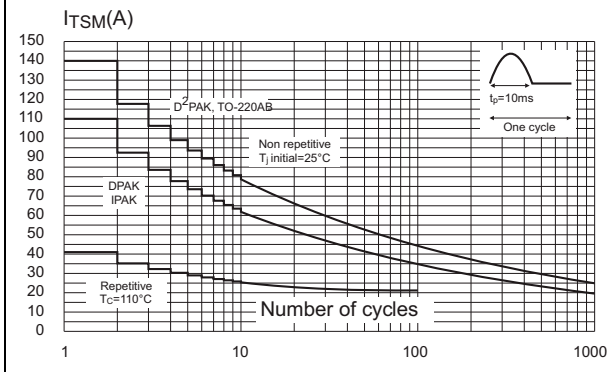


Figure 8. Non repetitive surge peak on-state current for a sinusoidal pulse with width $t_p < 10\text{ ms}$

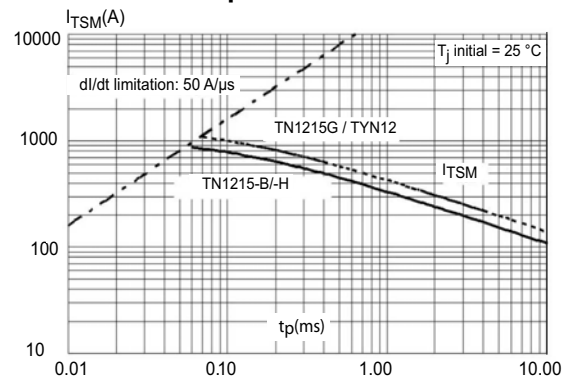


Figure 9. On-state characteristics (maximum values)

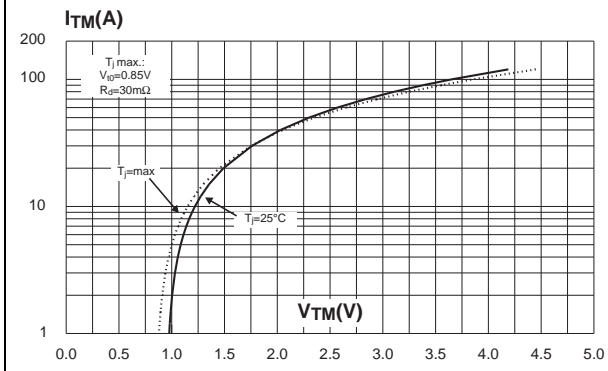
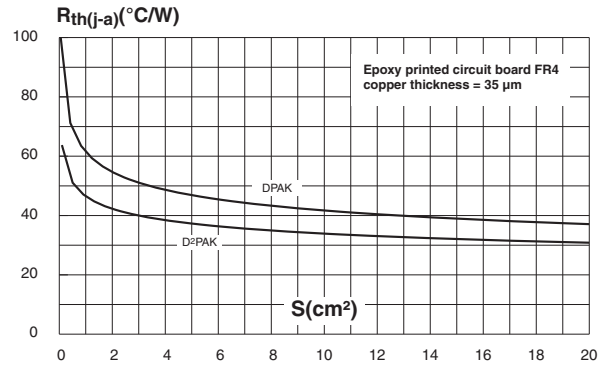


Figure 10. Thermal resistance junction to ambient versus copper surface under tab (DPAK and D²PAK)



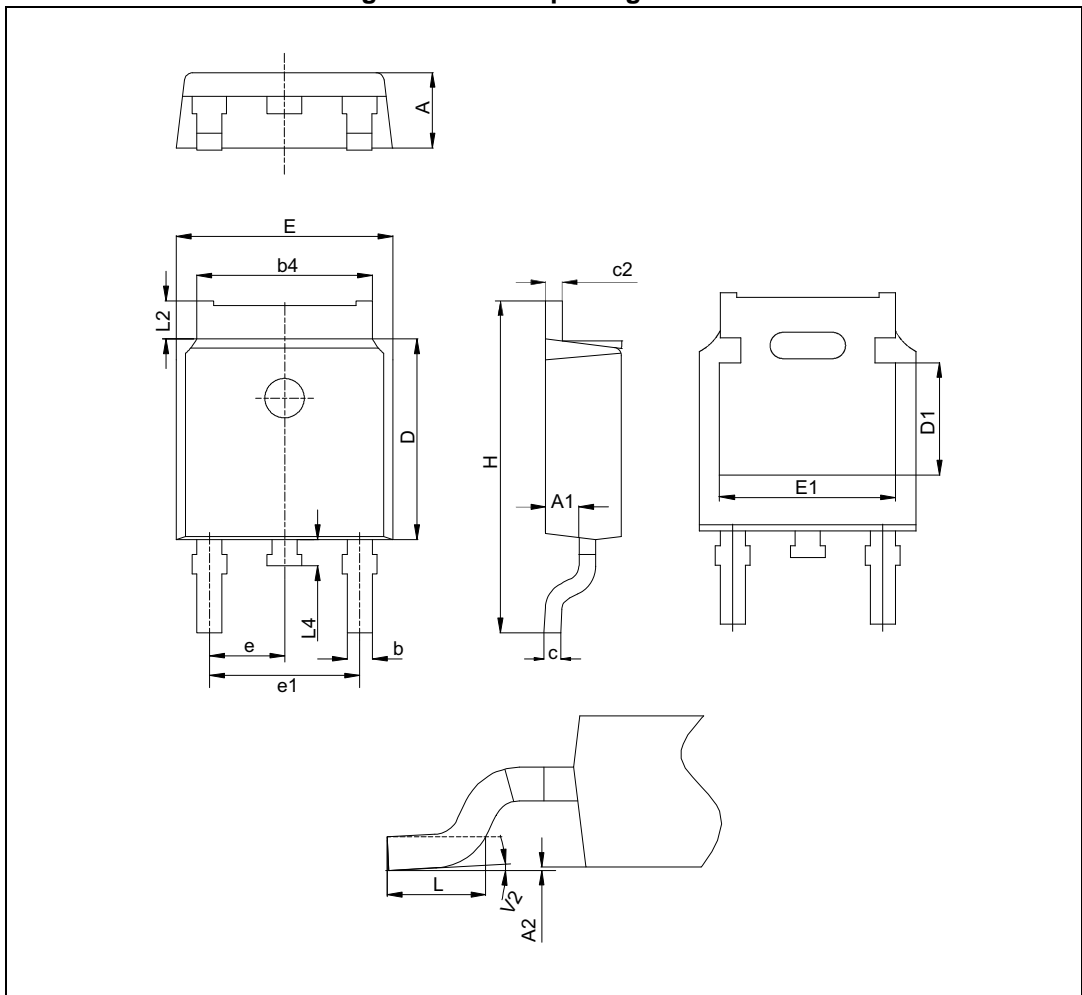
2 Package information

- Halogen free molding resin
- Epoxy meets UL94, V0
- Lead-free packages
- Recommended torque: 0.4 to 0.6 N·m (TO-220AB)

In order to meet environmental requirements, ST offers these devices in different grades of ECOPACK® packages, depending on their level of environmental compliance. ECOPACK® specifications, grade definitions and product status are available at: www.st.com. ECOPACK® is an ST trademark.

2.1 DPAK package information

Figure 11. DPAK package outline



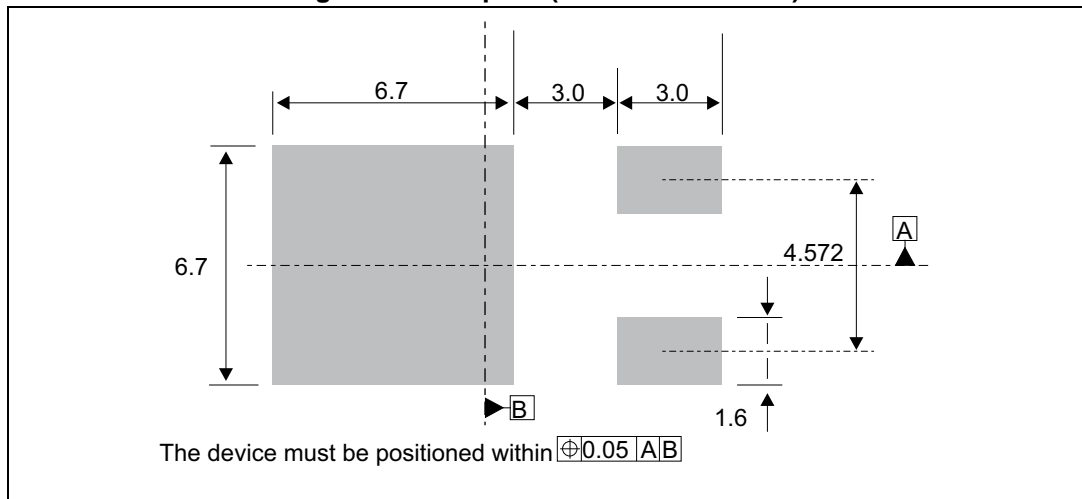
Note: This package drawing may slightly differ from the physical package. However, all the specified dimensions are guaranteed.

Table 5. DPAK package mechanical data

| Ref. | Dimensions | | | | | |
|------|-------------|-------|-------|-----------------------|--------|--------|
| | Millimeters | | | Inches ⁽¹⁾ | | |
| | Min. | Typ. | Max. | Min. | Typ. | Max. |
| A | 2.18 | | 2.40 | 0.0858 | | 0.0945 |
| A1 | 0.9 | | 1.10 | 0.0354 | | 0.0433 |
| A2 | 0.03 | | 0.23 | 0.0012 | | 0.0091 |
| b | 0.64 | | 0.90 | 0.0252 | | 0.0354 |
| b4 | 4.95 | | 5.46 | 0.1949 | | 0.2150 |
| c | 0.46 | | 0.61 | 0.0181 | | 0.0236 |
| c2 | 0.46 | | 0.60 | 0.0181 | | 0.0236 |
| D | 5.97 | | 6.22 | 0.2350 | | 0.2449 |
| D1 | 4.95 | | 5.60 | 0.1949 | | 0.2205 |
| E | 6.35 | | 6.73 | 0.2500 | | 0.2650 |
| E1 | 4.32 | | 5.50 | 0.1701 | | 0.2165 |
| e | | 2.286 | | | 0.0900 | |
| e1 | 4.40 | | 4.70 | 0.1732 | | 0.1850 |
| H | 9.35 | | 10.40 | 0.3681 | | 0.4094 |
| L | 1.0 | | 1.78 | 0.0394 | | 0.0701 |
| L2 | | | 1.27 | | | 0.0500 |
| L4 | 0.6 | | 1.02 | 0.0236 | | 0.0402 |
| V2 | -8° | | +8° | -8° | | +8° |

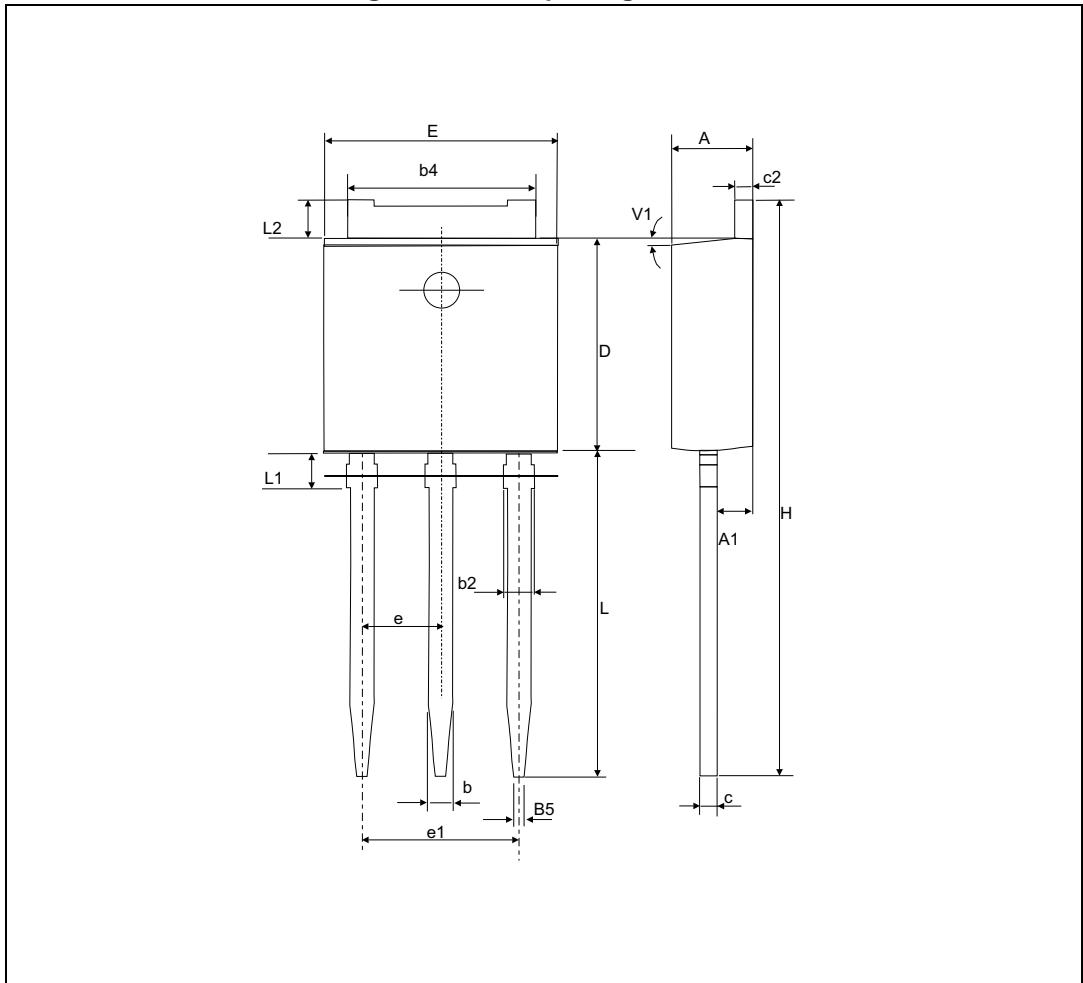
1. Inches only for reference.

Figure 12. Footprint (dimensions in mm)



2.2 IPAK package information

Figure 13. IPAK package outline



Note: This package drawing may slightly differ from the physical package. However, all the specified dimensions are guaranteed.

Table 6. IPAK package mechanical data

| Ref. | Dimensions | | | | | |
|------|-------------|-------|------|-----------------------|--------|--------|
| | Millimeters | | | Inches ⁽¹⁾ | | |
| | Min. | Typ. | Max. | Min. | Typ. | Max. |
| A | 2.20 | | 2.40 | 0.0866 | | 0.0945 |
| A1 | 0.90 | | 1.10 | 0.0354 | | 0.0433 |
| b | 0.64 | | 0.90 | 0.0252 | | 0.0354 |
| b2 | | | 0.95 | | | 0.0374 |
| b4 | 5.20 | | 5.43 | 0.2047 | | 0.2138 |
| B5 | | 0.30 | | | 0.0118 | |
| c | 0.45 | | 0.60 | 0.0177 | | 0.0236 |
| c2 | 0.46 | | 0.60 | 0.0181 | | 0.0236 |
| D | 6.00 | | 6.20 | 0.2362 | | 0.2441 |
| E | 6.40 | | 6.65 | 0.2520 | | 0.2618 |
| e | | 2.28 | | | 0.0898 | |
| e1 | 4.40 | | 4.60 | 0.1732 | | 0.1811 |
| H | | 16.10 | | | 0.6339 | |
| L | 9.00 | | 9.60 | 0.3543 | | 0.3780 |
| L1 | 0.80 | | 1.20 | 0.0315 | | 0.0472 |
| L2 | | 0.80 | 1.25 | | 0.0315 | 0.0492 |
| V1 | | 10° | | | 10° | |

1. Inches dimensions given only for reference.

2.3 TO-220AB package information

Figure 14. TO-220AB package outline

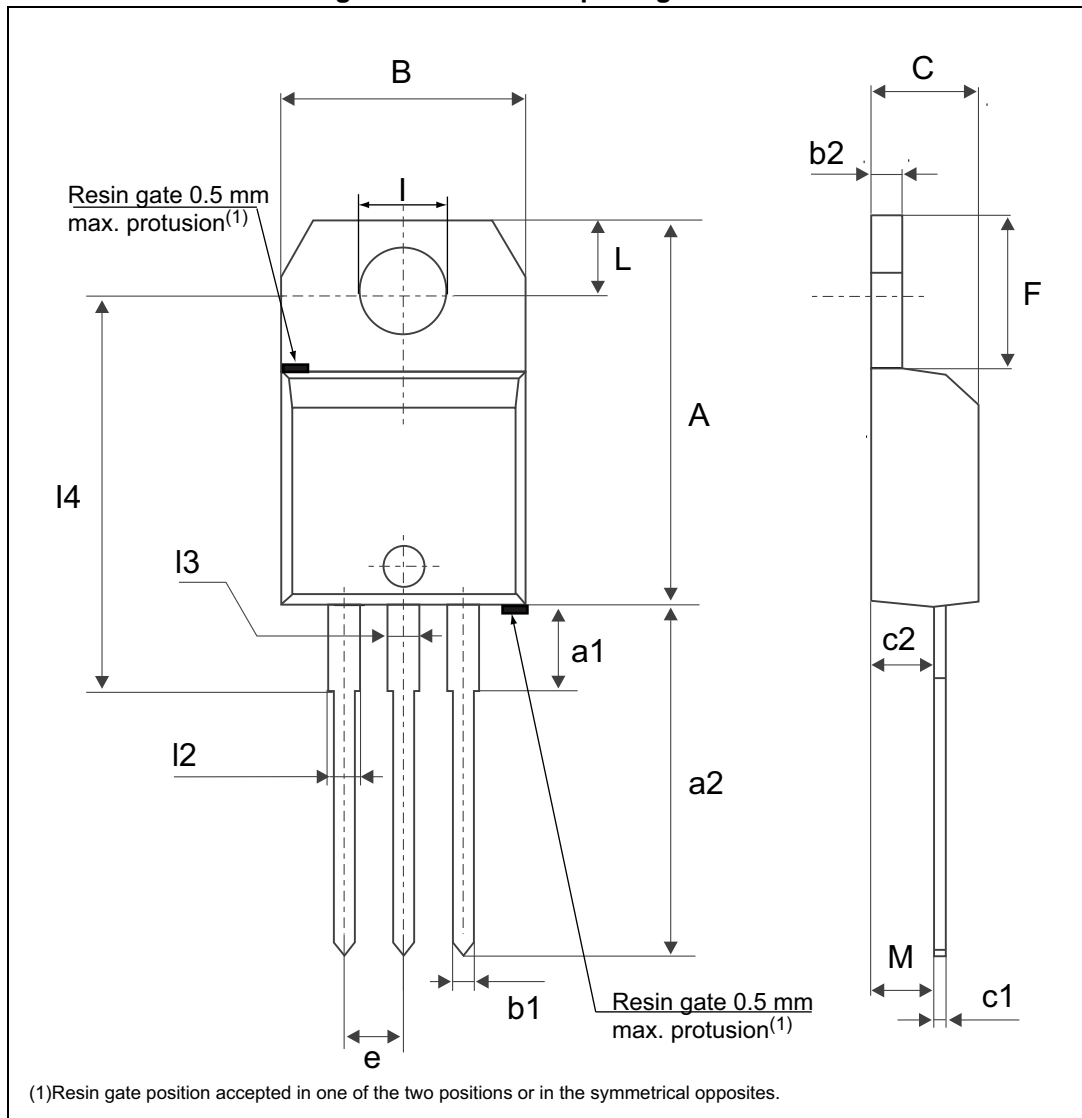


Table 7. TO-220AB package mechanical data

| Ref. | Dimensions | | | | | |
|------|-------------|------|------|-----------------------|--------|--------|
| | Millimeters | | | Inches ⁽¹⁾ | | |
| | Min. | Typ. | Max. | Min. | Typ. | Max. |
| A | 15.2 | | 15.9 | 0.5984 | | 0.6260 |
| a1 | | 3.75 | | | 0.1476 | |
| a2 | 13 | | 14 | 0.5118 | | 0.5512 |
| B | 10 | | 10.4 | 0.3937 | | 0.4094 |
| b1 | 0.61 | | 0.88 | 0.0240 | | 0.0346 |
| b2 | 1.23 | | 1.32 | 0.0484 | | 0.0520 |
| C | 4.4 | | 4.6 | 0.1732 | | 0.1811 |
| c1 | 0.49 | | 0.7 | 0.0193 | | 0.0276 |
| c2 | 2.4 | | 2.72 | 0.0945 | | 0.1071 |
| e | 2.40 | | 2.70 | 0.0945 | | 0.1063 |
| F | 6.2 | | 6.6 | 0.2441 | | 0.2598 |
| I | 3.73 | | 3.88 | 0.1469 | | 0.1528 |
| L | 2.65 | | 2.95 | 0.1043 | | 0.1161 |
| I2 | 1.14 | | 1.7 | 0.0449 | | 0.0669 |
| I3 | 1.14 | | 1.7 | 0.0449 | | 0.0669 |
| I4 | 15.8 | 16.4 | 16.8 | 0.6220 | 0.6457 | 0.6614 |
| M | | 2.6 | | | 0.1024 | |

1. Inches dimensions given only for reference.

2.4 D²PAK package information

Figure 15. D²PAK package outline

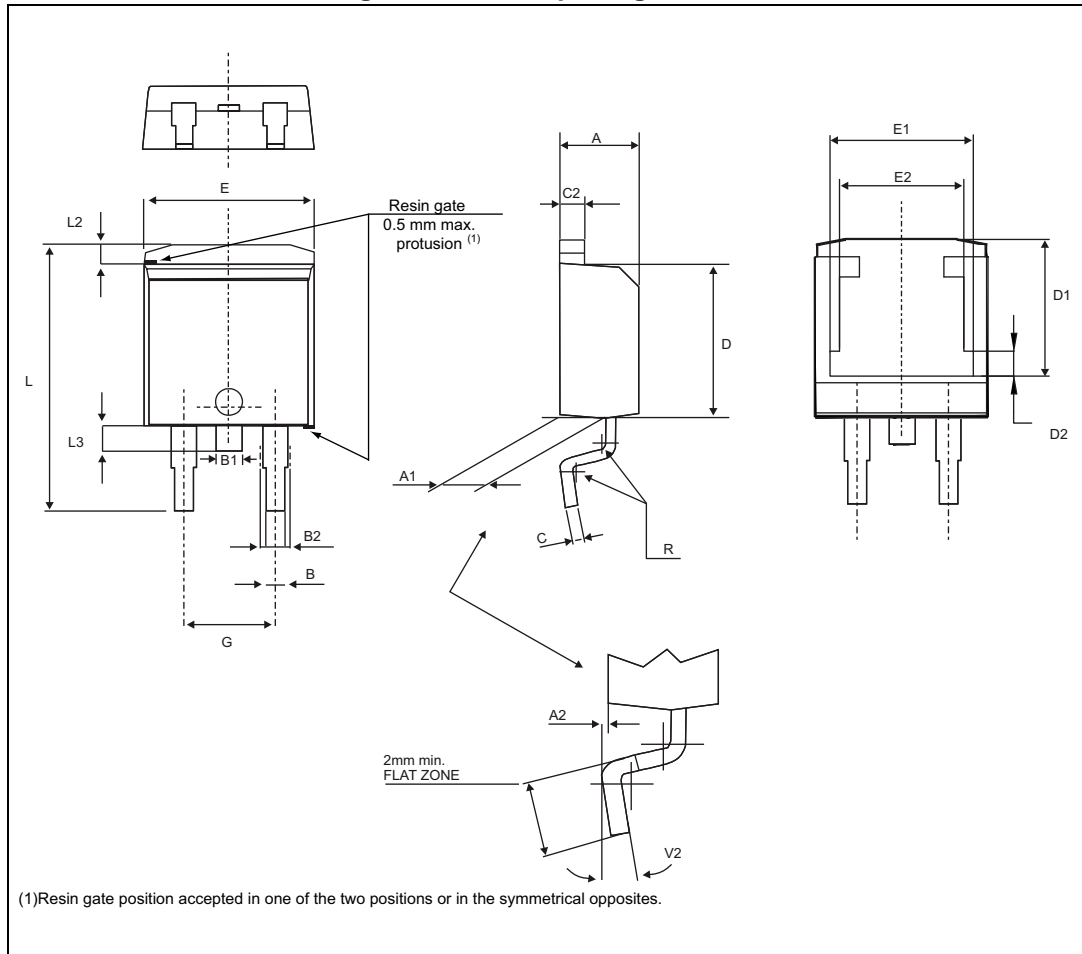
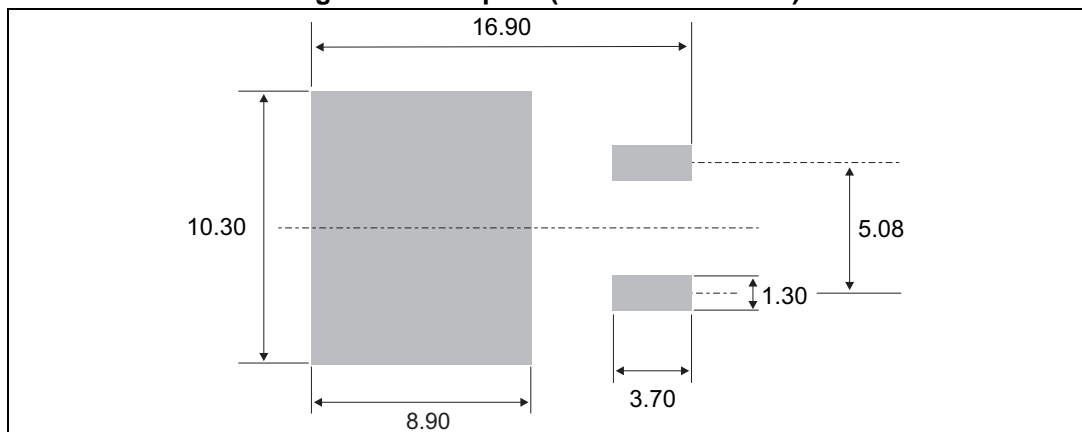


Table 8. D²PAK package mechanical data

| Ref. | Dimensions | | | | | |
|------|-------------|------|-------|-----------------------|--------|--------|
| | Millimeters | | | Inches ⁽¹⁾ | | |
| | Min. | Typ. | Max. | Min. | Typ. | Max. |
| A | 4.30 | | 4.60 | 0.1693 | | 0.1811 |
| A1 | 2.49 | | 2.69 | 0.0980 | | 0.1059 |
| A2 | 0.03 | | 0.23 | 0.0012 | | 0.0091 |
| B | 0.70 | | 0.93 | 0.0276 | | 0.0366 |
| B2 | 1.25 | 1.40 | | 0.0492 | 0.0551 | |
| C | 0.45 | | 0.60 | 0.0177 | | 0.0236 |
| C2 | 1.21 | | 1.36 | 0.0476 | | 0.0535 |
| D | 8.95 | | 9.35 | 0.3524 | | 0.3681 |
| D1 | 7.50 | | 8.0 | 0.2953 | | 0.3150 |
| D2 | 1.3 | | 1.7 | 0.0512 | | 0.0669 |
| E | 10.00 | | 10.28 | 0.3937 | | 0.4047 |
| E1 | 8.3 | | 8.7 | 0.3268 | | 0.3425 |
| E2 | 6.85 | | 7.25 | 0.2697 | | 0.2854 |
| G | 4.88 | | 5.28 | 0.1921 | | 0.2079 |
| L | 15.00 | | 15.85 | 0.5906 | | 0.6240 |
| L2 | 1.27 | | 1.40 | 0.0500 | | 0.0551 |
| L3 | 1.40 | | 1.75 | 0.0551 | | 0.0689 |
| R | 0.40 | | | 0.0157 | | |
| V2 | 0° | | 8° | 0° | | 8° |

1. Inches dimensions given only for reference.

Figure 16. Footprint (dimensions in mm)



3 Ordering information

Figure 17. TN1215 series

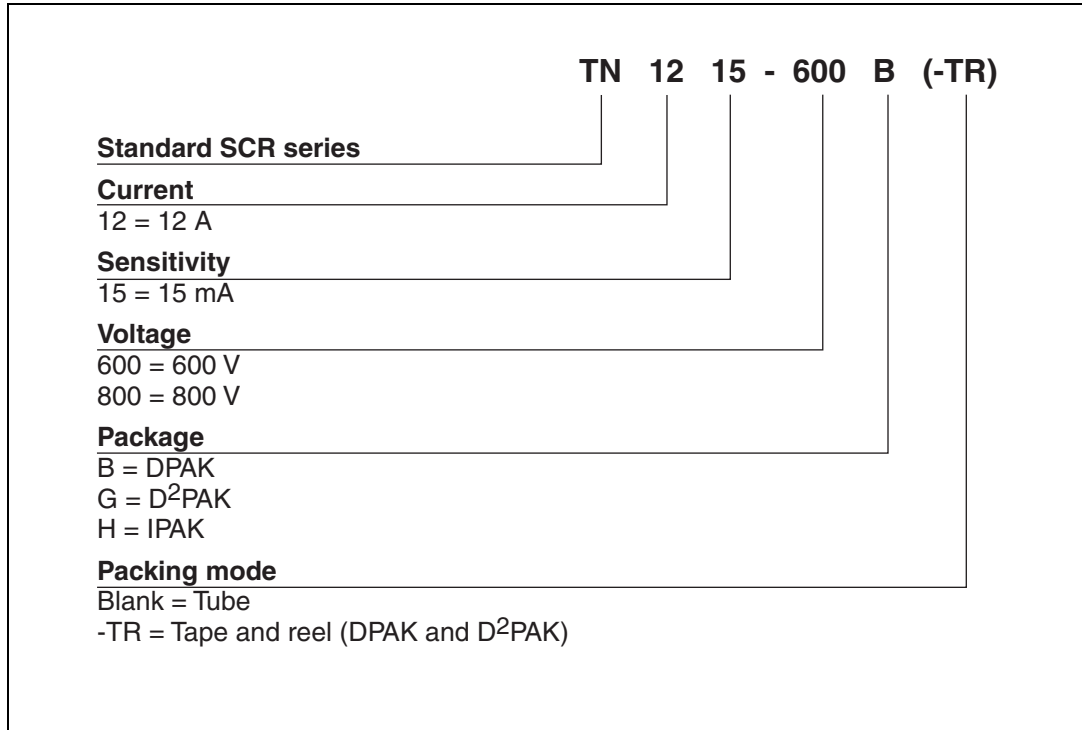


Figure 18. TYNx12 series

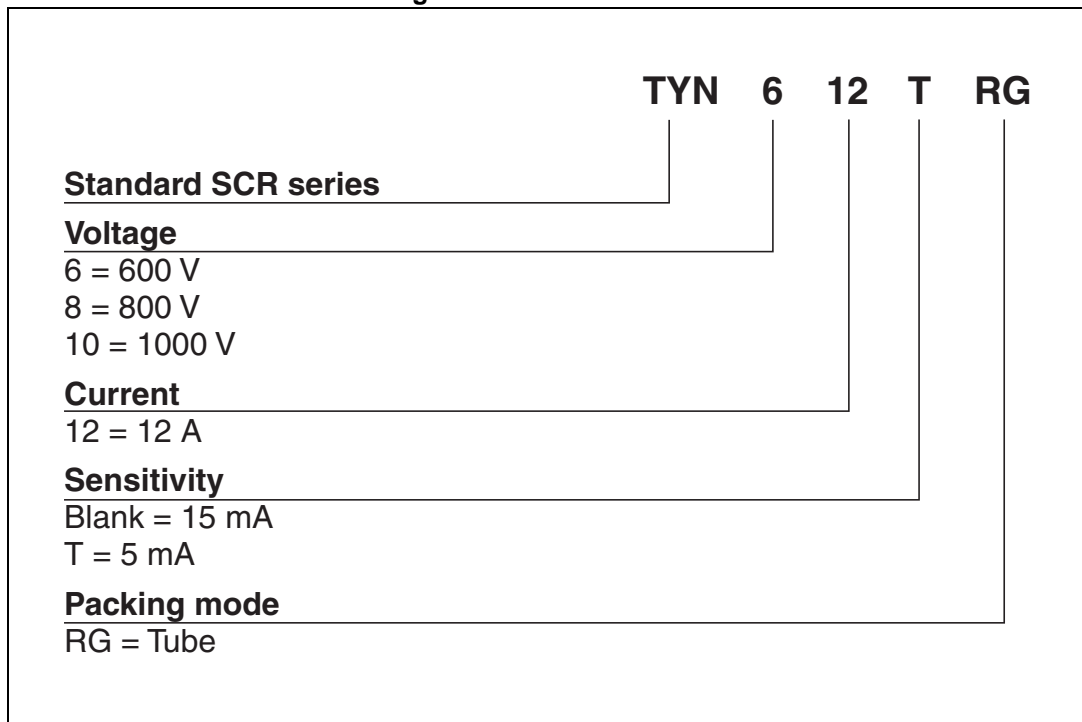


Table 9. Ordering information

| Order code | Voltage V_{DRM} / V_{RRM} (V) | | | I_{GT} (mA) | Package | Weight (g) | Base qty. (pc) | Delivery mode |
|----------------|---------------------------------|-----|------|---------------|--------------------|------------|----------------|---------------|
| | 600 | 800 | 1000 | | | | | |
| TYN1012RG | | | x | 15 | TO-220AB | 2.3 | 50 | Tube |
| TYN1012TRG | | | x | 5 | TO-220AB | 2.3 | 50 | Tube |
| TYN612RG | x | | | 15 | TO-220AB | 2.3 | 50 | Tube |
| TYN612TRG | x | | | 5 | TO-220AB | 2.3 | 50 | Tube |
| TYN812RG | | x | | 15 | TO-220AB | 2.3 | 50 | Tube |
| TYN812TRG | | x | | 5 | TO-220AB | 2.3 | 50 | Tube |
| TN1215-600B | x | | | 15 | DPAK | 0.3 | 75 | Tube |
| TN1215-600B-TR | x | | | 15 | DPAK | 0.3 | 2500 | Tape and reel |
| TN1215-600G | x | | | 15 | D ² PAK | 1.5 | 50 | Tube |
| TN1215-600G-TR | x | | | 15 | D ² PAK | 1.5 | 1000 | Tape and reel |
| TN1215-600H | x | | | 15 | IPAK | 0.3 | 75 | Tube |
| TN1215-800B-TR | | x | | 15 | DPAK | 0.3 | 2500 | Tape and reel |
| TN1215-800G-TR | | x | | 15 | D ² PAK | 1.5 | 1000 | Tape and reel |
| TN1215-800H | | x | | 15 | IPAK | 0.3 | 75 | Tube |

4 Revision history

Table 10. Document revision history

| Date | Revision | Changes |
|-------------|----------|--|
| Sep-2000 | 3 | Last update. |
| 25-Mar-2005 | 4 | TO-220AB delivery mode changed from bulk to tube. |
| 14-Oct-2005 | 5 | Changed sensitivity values in <i>Table 1</i> for TYNx12 (30 to 15 mA) and TYNx12T (15 to 5 mA). Added ECOPACK statement. |
| 08-Mar-2007 | 6 | Reformatted to current standard. <i>Figure 17: TN1215 series product name corrected.</i> <i>Figure 23: TS1220 series product name corrected.</i> |
| 23-Oct-2009 | 7 | Added TS1220-xxxT device. |
| 03-Jun-2014 | 8 | Updated DPAK and IPAK package information and reformatted to current standard. |
| 25-Feb-2015 | 9 | The part number TS1220 series has been moved to a separate document. Removed TO-220AB insulated package information. |
| 29-Jul-2015 | 10 | Updated <i>Figure 11</i> . |
| 05-Oct-2016 | 11 | Updated Section 2: Package information . Minor text changes. |

IMPORTANT NOTICE – PLEASE READ CAREFULLY

STMicroelectronics NV and its subsidiaries (“ST”) reserve the right to make changes, corrections, enhancements, modifications, and improvements to ST products and/or to this document at any time without notice. Purchasers should obtain the latest relevant information on ST products before placing orders. ST products are sold pursuant to ST’s terms and conditions of sale in place at the time of order acknowledgement.

Purchasers are solely responsible for the choice, selection, and use of ST products and ST assumes no liability for application assistance or the design of Purchasers’ products.

No license, express or implied, to any intellectual property right is granted by ST herein.

Resale of ST products with provisions different from the information set forth herein shall void any warranty granted by ST for such product.

ST and the ST logo are trademarks of ST. All other product or service names are the property of their respective owners.

Information in this document supersedes and replaces information previously supplied in any prior versions of this document.

© 2016 STMicroelectronics – All rights reserved





Компания «ЭлектроПласт» предлагает заключение долгосрочных отношений при поставках импортных электронных компонентов на взаимовыгодных условиях!

Наши преимущества:

- Оперативные поставки широкого спектра электронных компонентов отечественного и импортного производства напрямую от производителей и с крупнейших мировых складов;
- Поставка более 17-ти миллионов наименований электронных компонентов;
- Поставка сложных, дефицитных, либо снятых с производства позиций;
- Оперативные сроки поставки под заказ (от 5 рабочих дней);
- Экспресс доставка в любую точку России;
- Техническая поддержка проекта, помощь в подборе аналогов, поставка прототипов;
- Система менеджмента качества сертифицирована по Международному стандарту ISO 9001;
- Лицензия ФСБ на осуществление работ с использованием сведений, составляющих государственную тайну;
- Поставка специализированных компонентов (Xilinx, Altera, Analog Devices, Intersil, Interpoint, Microsemi, Aeroflex, Peregrine, Syfer, Eurofarad, Texas Instrument, Miteq, Cobham, E2V, MA-COM, Hittite, Mini-Circuits, General Dynamics и др.);

Помимо этого, одним из направлений компании «ЭлектроПласт» является направление «Источники питания». Мы предлагаем Вам помощь Конструкторского отдела:

- Подбор оптимального решения, техническое обоснование при выборе компонента;
- Подбор аналогов;
- Консультации по применению компонента;
- Поставка образцов и прототипов;
- Техническая поддержка проекта;
- Защита от снятия компонента с производства.



Как с нами связаться

Телефон: 8 (812) 309 58 32 (многоканальный)

Факс: 8 (812) 320-02-42

Электронная почта: org@eplast1.ru

Адрес: 198099, г. Санкт-Петербург, ул. Калинина, дом 2, корпус 4, литера А.