

DATA SHEET

SKY13274-349LF: PHEMT SP2T Switch

0.5–6.0 GHz

Features

- Positive low voltage control (0/+3 V)
- Low insertion loss (0.8 dB typ. @ 6 GHz)
- High Rx isolation (28 dB @ 6 GHz)
- Tx port termination
- Miniature QFN-8 pin plastic package (2 x 2 mm)
- PHEMT process
- Lead (Pb)-free, RoHS-compliant MSL-1 @ 240 °C per JEDEC J-STD-020

Description

The SKY13274-349LF is a PHEMT AlGaAs single-pole, double-throw switch designed for use as a transmit receive (TR) switch for ultra-wideband (UWB) transceivers. This switch offers excellent insertion loss and isolation over wide bandwidth. It features a terminated transmit input port, which is provided via an external termination resistor for added versatility. The receiver output port is reflective. The switch is controlled with single-polarity control voltage of 3 V and 0 V, and is also compatible with control voltage as high as 7 V.

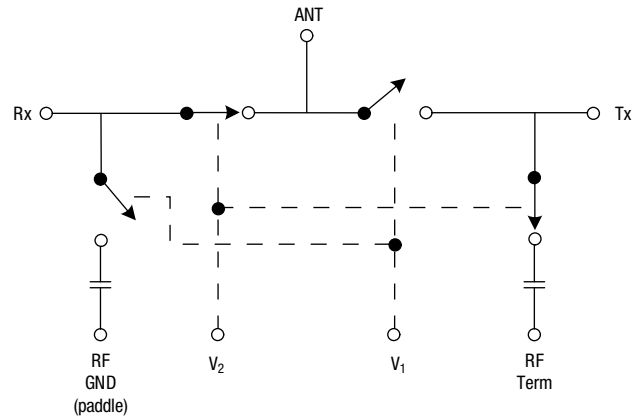
This switch is packaged in the surface mount QFN-8 package, which is lead (Pb)-free and meets all current RoHS requirements.

NEW

Skyworks offers lead (Pb)-free, RoHS (Restriction of Hazardous Substances)-compliant packaging.



Functional Block Diagram



Electrical Specifications at 25 °C

$Z_0 = 50 \Omega$, $V_{CTL} = 0/3 V$, unless otherwise noted

Parameter	Condition	Frequency	Min.	Typ.	Max.	Unit	
Insertion loss	Tx-Ant, Rx-Ant	0.5–3.0 GHz		0.5	0.7	dB	
		3.0–6.0 GHz		0.8	1.0	dB	
Isolation	Tx-Ant	0.5–3.0 GHz	22	25		dB	
		3.0–6.0 GHz	14	17		dB	
	Rx-Ant	0.5–3.0 GHz	27	30		dB	
		3.0–6.0 GHz	23	26		dB	
Return loss	Tx-Ant, Rx-Ant (insertion loss)	0.5–3.0 GHz		20		dB	
		3.0–6.0 GHz		15		dB	
	Tx-Ant (isolation)	0.5–3.0 GHz		20		dB	
		3.0–6.0 GHz		15		dB	
	Rx-Ant (isolation)	0.5–6.0 GHz			Reflective		dB

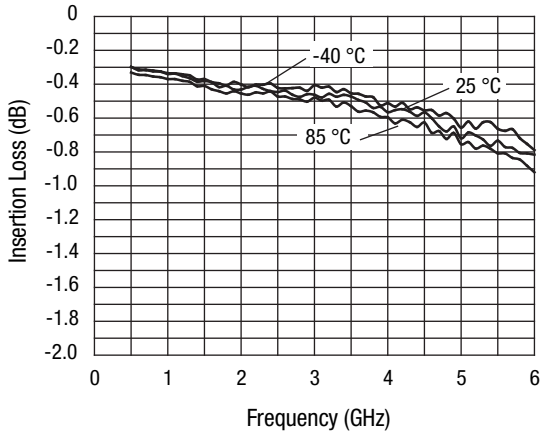
Operating Characteristics at 25 °C

$Z_0 = 50 \Omega$, $V_{CTL} = 0/3 V$, unless otherwise noted

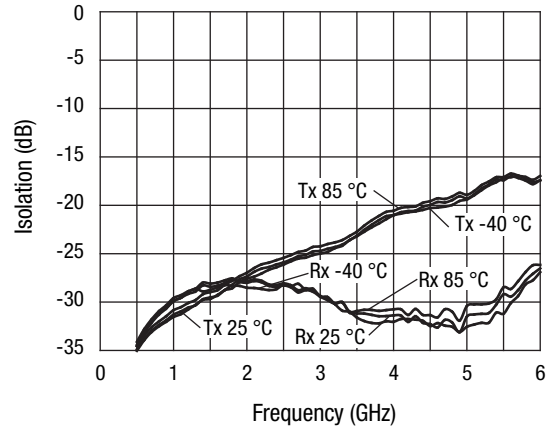
Parameter	Condition	Frequency	Min.	Typ.	Max.	Unit
Switching characteristics						
Rise	10/90% RF			100		ns
Fall	90/10% RF			10		ns
On	50% CTL to 90% RF			100		ns
Off	50% CTL to 10% RF			20		ns
Input power for -0.1 dB compression	$V_{CTL} = 0/3 V$	0.5–3 GHz		25		dBm
Input Intermodulation intercept point (IIP3)	2-tone, $\Delta f = 5 MHz$, $V_{CTL} = 0/3 V$	900 MHz		45		dBm
Control voltages	Low (V_{LOW})		0		0.2	V
	High (V_{HIGH})		2.7		7.0	V
Control Port Current	$V_{CTL} = 3 V$				50	μA
	$V_{CTL} = 0 V$				20	μA

Typical Performance Data

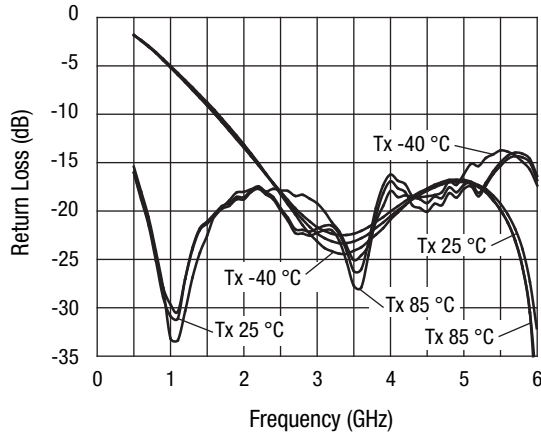
$Z_0 = 50 \Omega$, $V_{CTL} = 0/3 V$, unless otherwise noted



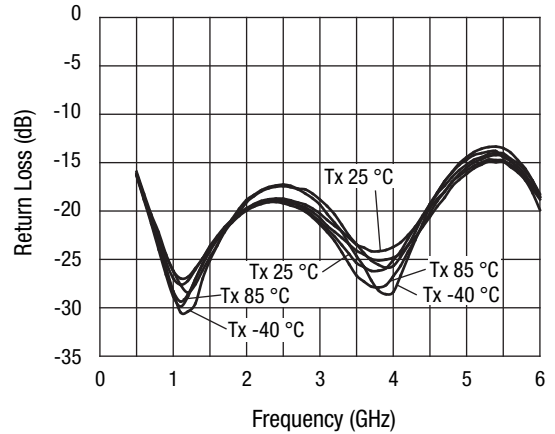
Insertion Loss vs. Frequency



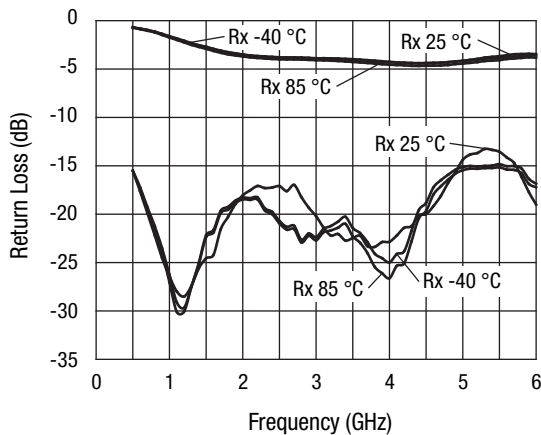
Isolation vs. Frequency



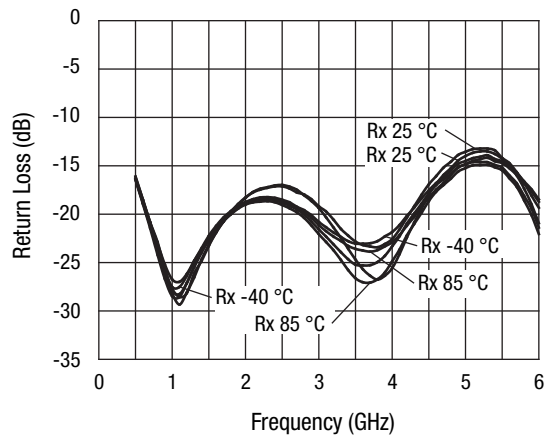
Return Loss Tx Isolation State vs. Frequency



Return Loss Tx Ins. Loss State vs. Frequency



Return Loss Rx Isolation State vs. Frequency



Return Loss Rx Ins. Loss State vs. Frequency

Absolute Maximum Ratings

Characteristic	Value
RF input power	1 W > 500 MHz 0/+7 V control
Control voltage	-0.2 V, +7 V
Operating temperature	-40 °C to +85 °C
Storage temperature	-65 °C to +150 °C
Θ_{JC}	45 °C/W

Performance is guaranteed only under the conditions listed in the specifications table and is not guaranteed under the full range(s) described by the Absolute Maximum specifications. Exceeding any of the absolute maximum/minimum specifications may result in permanent damage to the device and will void the warranty.

CAUTION: Although this device is designed to be as robust as possible, Electrostatic Discharge (ESD) can damage this device. This device must be protected at all times from ESD. Static charges may easily produce potentials of several kilovolts on the human body or equipment, which can discharge without detection. Industry-standard ESD precautions must be employed at all times.

Applications

The SKY13274-349LF is designed for use as an UWB TR switch for signal frequencies up to 6 GHz. When the switch is in its receive state with the voltage at pin 1 (V_1) low and the voltage at pin 4 (V_2) high, the Tx input port is terminated via an external resistor connected between pin 5 (R_1) and ground. A 39 Ω external resistor in this position produces a 50 Ω (nominal) impedance looking into pin 6.

DC blocking capacitors are required at each of the RF ports. The nominal value for these capacitors is 39 pF. This value should be increased for operation with RF at frequencies below 500 MHz.

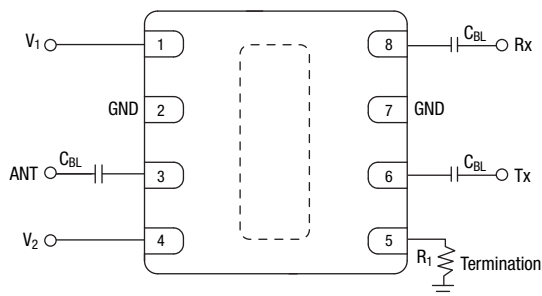
The exposed paddle on the back side of the package must be grounded for proper operation.

Truth Table

V_1	V_2	Rx-Ant	Tx-Ant
Low	High	Ins. Loss	Isolation
High	Low	Isolation	Ins. Loss
Low	Low	Not recommended ⁽¹⁾	
High	High	Not recommended ⁽¹⁾	

Low = 0–0.2 V.
High = 3 V.
1. Switch is in an undefined state.

Pin Out (Top View)



C_{BL} = 39 pF for operation >500 MHz.
 R_1 = 39 Ω .
Exposed paddle on bottom of package needs to be connected to ground.

Pin Descriptions

Pin Number	Pin Name	Description
1	V_1	Control voltage 1 - Control Voltage Input #1. The logic level voltage applied to this pin, along with the level voltage applied to pin 4, determines the states of the RF paths between the Tx, Rx and Ant ports.
2	GND	Equipotential point - Internal circuit common which must be connected to the pcb ground or common via the lowest possible impedance.
3	Ant	RF input/output.
4	V_2	Control voltage 2 - Control Voltage Input #2. The logic level voltage applied to this pin, along with the level voltage applied to pin 1, determines the states of the RF paths between the Tx, Rx and Ant ports.
5	Termination	An external termination resistor must be added to this pin for the Tx port to be matched when Tx-Ant path is in its isolation state.
6	Tx	RF input/output.
7	GND	Equipotential point - Internal circuit common which must be connected to the pcb ground or common via the lowest possible impedance.
8	Rx	RF input/output.

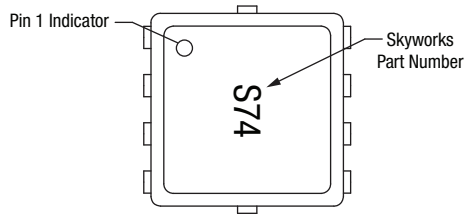
Recommended Solder Reflow Profiles

Refer to the [“Recommended Solder Reflow Profile”](#) Application Note.

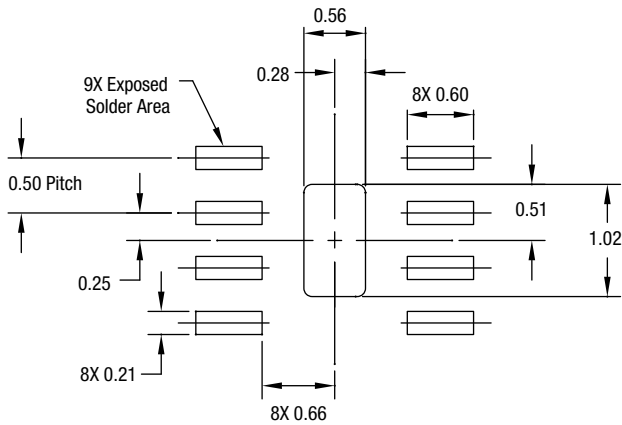
Tape and Reel Information

Refer to the [“Discrete Devices and IC Switch/Attenuators Tape and Reel Package Orientation”](#) Application Note.

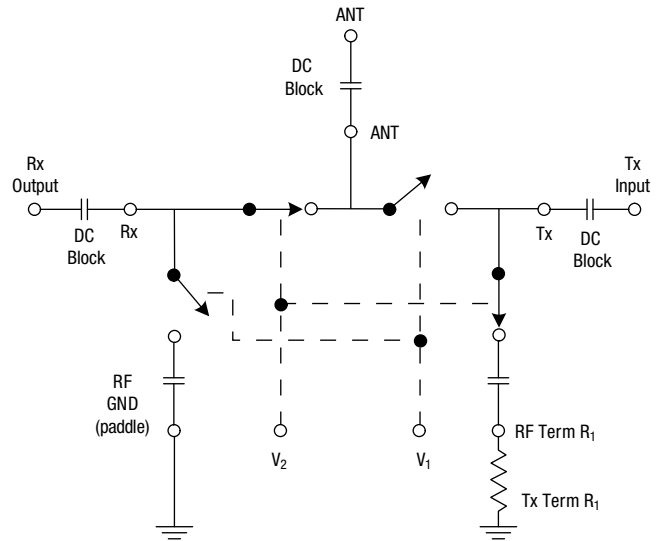
Part Marking (Top View)



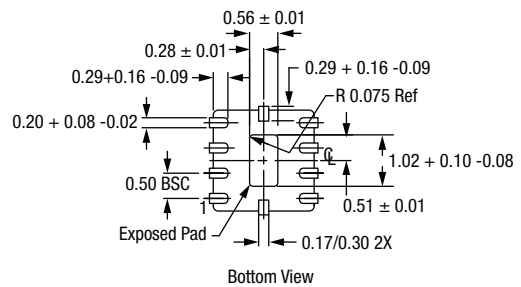
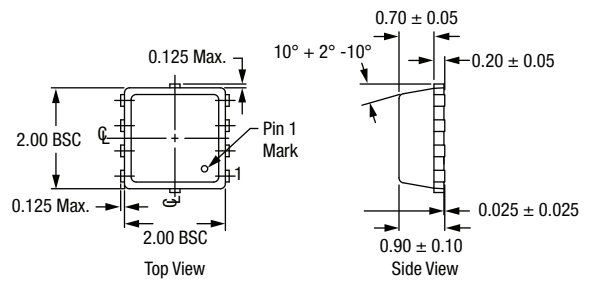
Suggested Land Pattern



TR Switch



QFN-8



All dimensions are in mm.

Copyright © 2002, 2003, 2004, 2005, 2006, 2007, 2008, Skyworks Solutions, Inc. All Rights Reserved.

Information in this document is provided in connection with Skyworks Solutions, Inc. ("Skyworks") products or services. These materials, including the information contained herein, are provided by Skyworks as a service to its customers and may be used for informational purposes only by the customer. Skyworks assumes no responsibility for errors or omissions in these materials or the information contained herein. Skyworks may change its documentation, products, services, specifications or product descriptions at any time, without notice. Skyworks makes no commitment to update the materials or information and shall have no responsibility whatsoever for conflicts, incompatibilities, or other difficulties arising from any future changes.

No license, whether express, implied, by estoppel or otherwise, is granted to any intellectual property rights by this document. Skyworks assumes no liability for any materials, products or information provided hereunder, including the sale, distribution, reproduction or use of Skyworks products, information or materials, except as may be provided in Skyworks Terms and Conditions of Sale.

THE MATERIALS, PRODUCTS AND INFORMATION ARE PROVIDED "AS IS" WITHOUT WARRANTY OF ANY KIND, WHETHER EXPRESS, IMPLIED, STATUTORY, OR OTHERWISE, INCLUDING FITNESS FOR A PARTICULAR PURPOSE OR USE, MERCHANTABILITY, PERFORMANCE, QUALITY OR NON-INFRINGEMENT OF ANY INTELLECTUAL PROPERTY RIGHT; ALL SUCH WARRANTIES ARE HEREBY EXPRESSLY DISCLAIMED. SKYWORKS DOES NOT WARRANT THE ACCURACY OR COMPLETENESS OF THE INFORMATION, TEXT, GRAPHICS OR OTHER ITEMS CONTAINED WITHIN THESE MATERIALS. SKYWORKS SHALL NOT BE LIABLE FOR ANY DAMAGES, INCLUDING BUT NOT LIMITED TO ANY SPECIAL, INDIRECT, INCIDENTAL, STATUTORY, OR CONSEQUENTIAL DAMAGES, INCLUDING WITHOUT LIMITATION, LOST REVENUES OR LOST PROFITS THAT MAY RESULT FROM THE USE OF THE MATERIALS OR INFORMATION, WHETHER OR NOT THE RECIPIENT OF MATERIALS HAS BEEN ADVISED OF THE POSSIBILITY OF SUCH DAMAGE.

Skyworks products are not intended for use in medical, lifesaving or life-sustaining applications, or other equipment in which the failure of the Skyworks products could lead to personal injury, death, physical or environmental damage. Skyworks customers using or selling Skyworks products for use in such applications do so at their own risk and agree to fully indemnify Skyworks for any damages resulting from such improper use or sale.

Customers are responsible for their products and applications using Skyworks products, which may deviate from published specifications as a result of design defects, errors, or operation of products outside of published parameters or design specifications. Customers should include design and operating safeguards to minimize these and other risks. Skyworks assumes no liability for applications assistance, customer product design, or damage to any equipment resulting from the use of Skyworks products outside of stated published specifications or parameters.

Skyworks, the Skyworks symbol, and "Breakthrough Simplicity" are trademarks or registered trademarks of Skyworks Solutions, Inc., in the United States and other countries. Third-party brands and names are for identification purposes only, and are the property of their respective owners. Additional information, including relevant terms and conditions, posted at www.skyworksinc.com, are incorporated by reference.



Компания «ЭлектроПласт» предлагает заключение долгосрочных отношений при поставках импортных электронных компонентов на взаимовыгодных условиях!

Наши преимущества:

- Оперативные поставки широкого спектра электронных компонентов отечественного и импортного производства напрямую от производителей и с крупнейших мировых складов;
- Поставка более 17-ти миллионов наименований электронных компонентов;
- Поставка сложных, дефицитных, либо снятых с производства позиций;
- Оперативные сроки поставки под заказ (от 5 рабочих дней);
- Экспресс доставка в любую точку России;
- Техническая поддержка проекта, помощь в подборе аналогов, поставка прототипов;
- Система менеджмента качества сертифицирована по Международному стандарту ISO 9001;
- Лицензия ФСБ на осуществление работ с использованием сведений, составляющих государственную тайну;
- Поставка специализированных компонентов (Xilinx, Altera, Analog Devices, Intersil, Interpoint, Microsemi, Aeroflex, Peregrine, Syfer, Eurofarad, Texas Instrument, Miteq, Cobham, E2V, MA-COM, Hittite, Mini-Circuits, General Dynamics и др.);

Помимо этого, одним из направлений компании «ЭлектроПласт» является направление «Источники питания». Мы предлагаем Вам помощь Конструкторского отдела:

- Подбор оптимального решения, техническое обоснование при выборе компонента;
- Подбор аналогов;
- Консультации по применению компонента;
- Поставка образцов и прототипов;
- Техническая поддержка проекта;
- Защита от снятия компонента с производства.



Как с нами связаться

Телефон: 8 (812) 309 58 32 (многоканальный)

Факс: 8 (812) 320-02-42

Электронная почта: org@eplast1.ru

Адрес: 198099, г. Санкт-Петербург, ул. Калинина, дом 2, корпус 4, литера А.