

|    |       |       |       |              |               |
|----|-------|-------|-------|--------------|---------------|
| 6  | 33    | 31.05 | 29    | 52808-3029   | 30            |
|    | 32    | 30.05 | 28    | -2929        | 29            |
|    | 31    | 29.05 | 27    | -2829        | 28            |
|    | 30    | 28.05 | 26    | -2729        | 27            |
|    | 28    | 26.05 | 24    | -2529        | 25            |
|    | 27    | 25.05 | 23    | -2429        | 24            |
|    | 26    | 24.05 | 22    | -2329        | 23            |
|    | 25    | 23.05 | 21    | -2229        | 22            |
|    | 24    | 22.05 | 20    | -2129        | 21            |
|    | 23    | 21.05 | 19    | -2029        | 20            |
|    | 22    | 20.05 | 18    | -1929        | 19            |
|    | 21    | 19.05 | 17    | -1829        | 18            |
|    | 20    | 18.05 | 16    | -1729        | 17            |
|    | 19    | 17.05 | 15    | -1629        | 16            |
|    | 18    | 16.05 | 14    | -1529        | 15            |
|    | 17    | 15.05 | 13    | -1429        | 14            |
|    | 16    | 14.05 | 12    | -1329        | 13            |
|    | 15    | 13.05 | 11    | -1229        | 12            |
|    | 14    | 12.05 | 10    | -1129        | 11            |
| 13 | 11.05 | 9     | -1029 | 10           |               |
| 12 | 10.05 | 8     | -0929 | 9            |               |
| 11 | 9.05  | 7     | -0829 | 8            |               |
| 9  | 7.05  | 5     | -0629 | 6            |               |
| 4  | 8     | 6.05  | 4     | -0529        | 5             |
|    | 7     | 5.05  | 3     | 52808-0429   | 4             |
| G  | C     | B     | A     | MATERIAL NO. | 極数<br>CIRCUIT |

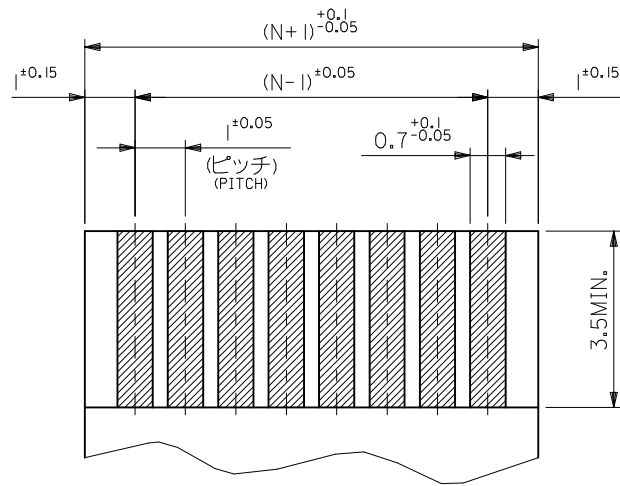
注記 NOTES:  
 1. 使用材料 MATERIAL  
 ハウジング: PPS, UL94V-0      HOUSING :PPS, UL94V-0  
 ターミナル: リン青銅      TERMINAL :PHOSPHOR BRONZE  
 メッキ: ニッケル下地 鍍ビスマスマッキ PLATING :TIN-BISMUTH OVER NICKEL PLATING  
 テープ: ポリイミド (t=50µm)      TAPE :PI (t=50µm)

△基準面 [E] からのソルダーテールの半田付け面のスレ量は、  
 上方向に0.1MAX. 下方向0.15MAX. とする。  
 MISALIGNMENT OF SOLDER TAIL FROM [E]  
 : UPPER DIRECTION 0.1MAX. , LOWER DIRECTION 0.15 MAX.

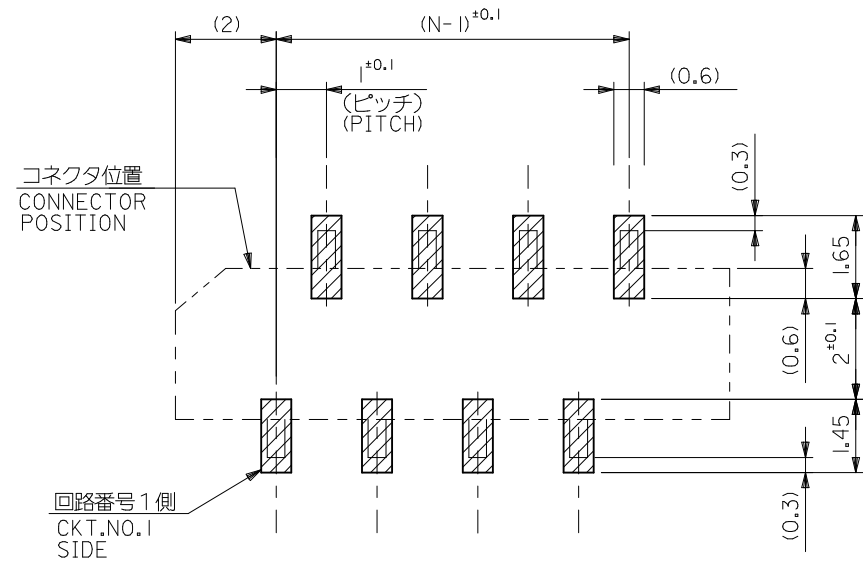
△偶数極に適用。  
 APPLY FOR EVEN CKT.  
 4. 本製品は 52808-\*\*20 の給フリー品である。  
 THIS PRODUCT IS LEAD FREE OF 52808-\*\*20.

FPCについて:  
 打抜き方向は導体側から補強板を推奨致します。  
 補強フィルム材質はポリイミドを推奨致します。  
 接着剤は熱硬化接着剤を推奨致します。  
 ABOUT FPC:  
 RECOMMENDED PUNCHER DIRECTION : FROM CONDUCTOR SIDE TO STIFFENER BOARD SIDE.  
 RECOMMENDED MATERIAL :  
 STIFFENER FILM : POLYIMIDE  
 BONDING AGENT : THERMOSETTING BONDING AGENT

|  |                  |                                       |       |                              |                    |   |                        |  |  |
|--|------------------|---------------------------------------|-------|------------------------------|--------------------|---|------------------------|--|--|
| REVISED<br>EC NO: J2014-0123<br>2013/07/24<br>DRWN:FSATO<br>2013/07/24<br>CHKD:KAKAHASHI<br>2013/08/06<br>APPR:YNOGAWA | DESCRIPTION<br>A | GENERAL TOLERANCES (UNLESS SPECIFIED) |       | DIMENSION STYLE<br>MM ONLY   |                    | SCALE<br>10:1   | DESIGN UNITS<br>METRIC | THIRD ANGLE PROJECTION   |  |
|  |                  | 10 UNDER                              | ± --- | DRAWN BY<br>MNINOMIYA        | DATE<br>2004/02/09 | TITLE<br>1.0 FFC CONN. NON ZIF<br>SMT ST (WITH TAPE)<br>-LEAD FREE- |                        |  |  |
|  |                  | 10 OVER 30 UNDER                      | ± --- | CHECKED BY<br>KTOJO          | DATE<br>2004/02/09 |   |                        |  |  |
|  |                  | 30 OVER                               | ± --- | APPROVED BY                  | DATE               |   |                        |  |  |
| ANGULAR ±--- °   |                  | MATERIAL NO.<br>SEE NOTE              |       | DOCUMENT NO.<br>SD-52808-025 |                    | SHEET NO.<br>1 OF 2   |                        | THIS DRAWING CONTAINS INFORMATION THAT IS PROPRIETARY TO MOLEX<br>INCORPORATED AND SHOULD NOT BE USED WITHOUT WRITTEN PERMISSION |  |



(仕上がり厚さ)  $0.3 \pm 0.03$   
 THICKNESS  
 適合 FPC/FFC 推奨寸法  
 APPLICABLE FPC/FFC  
 RECOMMENDED DIMENSION.

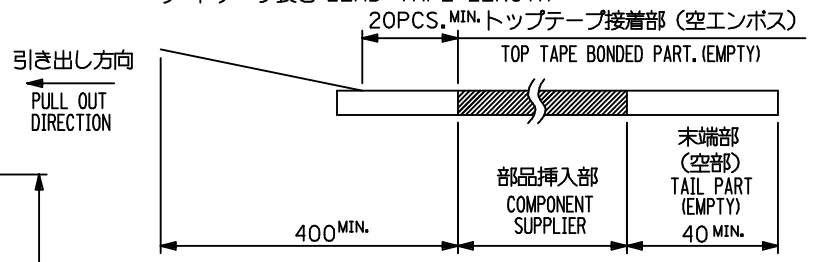


参考基板レイアウト (マウント面)  
 RECOMMENDED P.C.BOARD  
 PATTERN DIMENSION. (REF.)  
 (MOUNTING AREA)

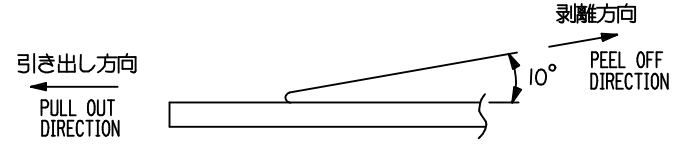
|   |                  |                                       |  |                            |                    |   |                        |                        |  |  |
|---|------------------|---------------------------------------|--|----------------------------|--------------------|---|------------------------|------------------------|--|--|
| REVISED<br>EC NO: J2014-0123<br>DRWN:FSATO 2013/07/24<br>CHKD:KAKAHASHI 2013/07/24<br>APPR:YNOGAWA 2013/08/06 | DESCRIPTION<br>A | GENERAL TOLERANCES (UNLESS SPECIFIED) |  | DIMENSION STYLE<br>MM ONLY |                    | SCALE<br>10:1   | DESIGN UNITS<br>METRIC | THIRD ANGLE PROJECTION |  |  |
|   |                  | 10 UNDER                              | ± ---  | DRAWN BY<br>MNINOMIYA      | DATE<br>2004/02/09 | TITLE<br>1.0 FFC CONN. NON ZIF<br>SMT ST (WITH TAPE)<br>-LEAD FREE- |                        |                        |  |  |
|   |                  | 10 OVER 30 UNDER                      | ± ---  | CHECKED BY<br>KTOJO        | DATE<br>2004/02/09 |   |                        |                        |  |  |
|   |                  | 30 OVER                               | ± ---  | APPROVED BY                | DATE               |   |                        |                        |  |  |
| ANGULAR ± --- °<br>DRAFT WHERE APPLICABLE<br>MUST REMAIN<br>WITHIN DIMENSIONS                                 |                  | SIZE<br>A3                            | THIS DRAWING CONTAINS INFORMATION THAT IS PROPRIETARY TO MOLEX<br>INCORPORATED AND SHOULD NOT BE USED WITHOUT WRITTEN PERMISSION |                            |                    |   |                        |                        |  |  |

NOTES

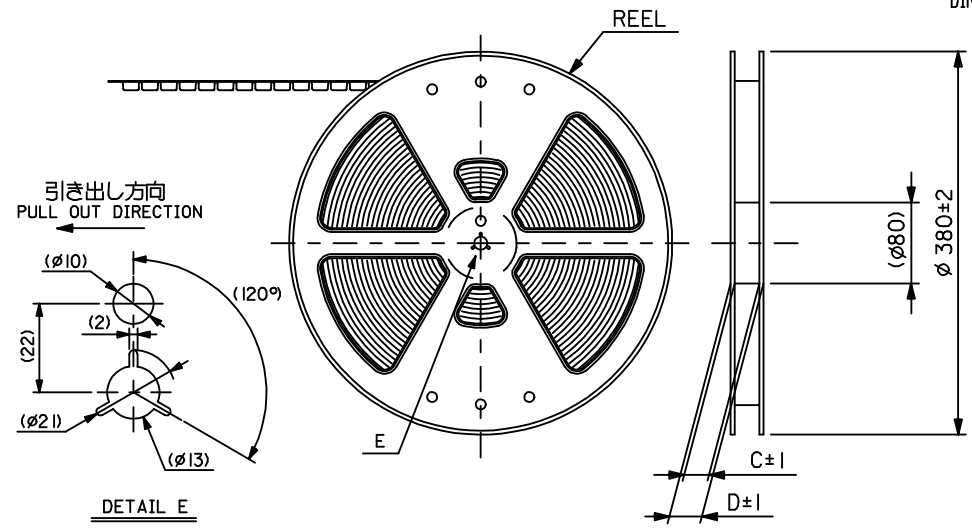
- 製品詳細寸法については図面 SD-52808-025 を参照下さい。  
RE DETAILED DIMENSION, SEE SD-52808-025.
- 梱包数量：1000個/リール  
NUMBER OF CONNECTORS : 1000PCS/REEL
- リードテープ長さ LEAD TAPE LENGTH



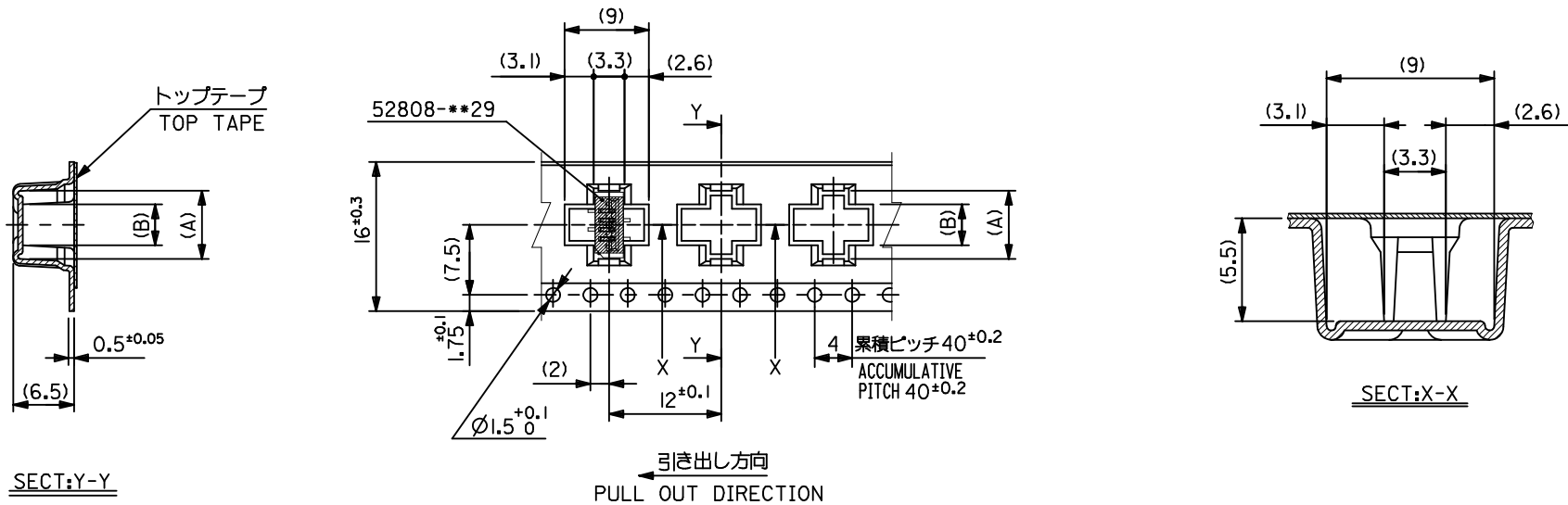
- トップテープの剥離強度：0.1N ~ 1.3N(10gf ~ 130gf)  
(剥離方向は下図参照)  
尚、本規格値は出荷時に適用。(但し、輸送時に剥離が発生しないこと。)  
PEELING OFF FORCE OF TOP TAPE : 0.1N ~ 1.3N(10gf ~ 130gf)  
(PEELING DIRECTION AS SHOWN IN FOLLOWING FIG.)  
THIS REQUIREMENT SHOULD BE APPLIED AT SHIPMENT.  
PEEL OFF SHOULD NOT BE ALLOWED , DURING TRANSPORTATION.



- 材料 (MATERIAL)  
キャリアテープ (CARRIER TAPE) : ポリプロピレン (POLYPROPYLENE)  
トップテープ (TOPTAPE) : PET , PE , PEF  
リール (REEL) : ポリスチレン (PS) <リサイクル材を含む>  
POLYSTYRENE (PS) <RECYCLE MATERIAL CONTAINED>
- MXI 製造製品は紙リールを使用すること。  
ONLY MXI PRODUCT ITEM SHOULD USE CARD BOARD REEL.
- 本製品は 52808-\*\*\*9I の鉛フリー品である。  
THIS PRODUCT IS LEAD FREE OF 52808-\*\*\*9I.



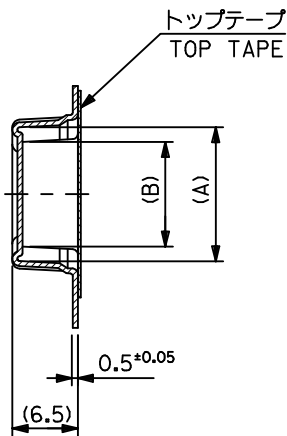
|  |                    |  |  |   |  |                  |  |
|--|--------------------|--|--|---|--|------------------|--|
| REVISED<br>EC NO: J2014-0123<br>DRW:FSATO 2013/07/24<br>CHKD:KAKAHASHI 2013/07/24<br>APPR:YNOGAWA 2013/08/06 | DESCRIPTION<br>REV | GENERAL TOLERANCES (UNLESS SPECIFIED)                |  | MODEL NO.   |  | 52808-***71      |  |
|  |                    | 10 UNDER ± ---                                       |  | DIMENSION STYLE   |  | SCALE            |  |
|  |                    | 10 OVER 30 UNDER ± ---                               |  | MM ONLY   |  | ---              |  |
|  |                    | 30 OVER ± ---  |  | DRAWN BY DATE   |  | DESIGN UNITS     |  |
| ANGULAR ± --- °  |                    | DRAFT WHERE APPLICABLE MUST REMAIN WITHIN DIMENSIONS |  | MATERIAL NO.  |  | DOCUMENT NO.     |  |
|  |                    |  |  | SEE NOTES   |  | SD-52808-026     |  |
|  |                    |  |  | SIZE A3   |  | SHEET NO. 1 OF 6 |  |
|  |                    |  |  | THIS DRAWING CONTAINS INFORMATION THAT IS PROPRIETARY TO MOLEX INCORPORATED AND SHOULD NOT BE USED WITHOUT WRITTEN PERMISSION |  |                  |  |



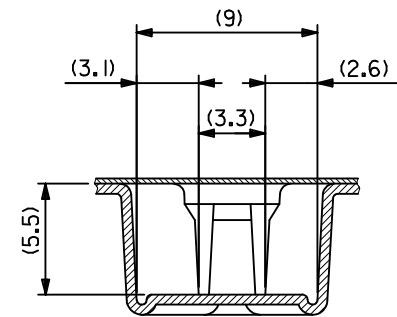
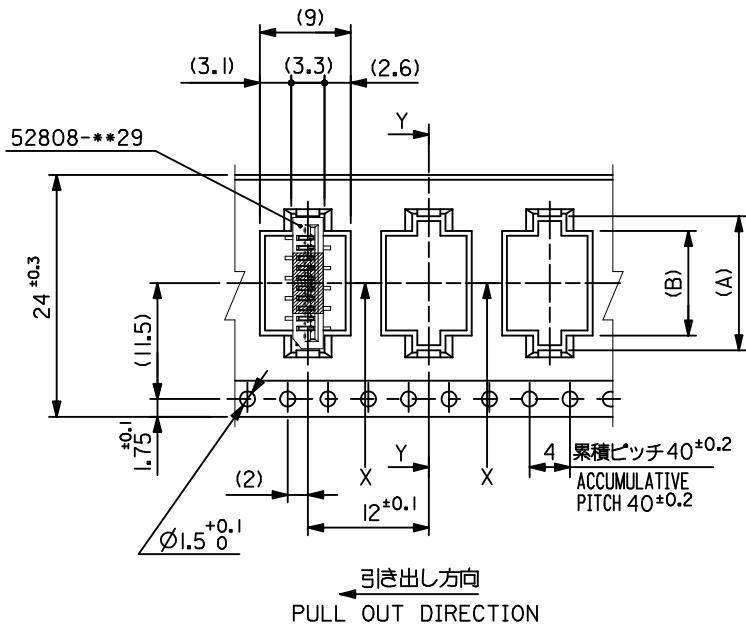
16mm幅キャリアテープ  
16mm WIDTH CARRIER TAPE

|                                |      |      |     |     |              |            |
|--------------------------------|------|------|-----|-----|--------------|------------|
| 16                             | 21.4 | 17.4 | 5.4 | 8.3 | 52808-0571   | 5          |
|                                |      |      | 4.4 | 7.3 | 52808-0471   | 4          |
| キャリアテープ幅<br>CARRIER TAPE WIDTH | D    | C    | (B) | (A) | MATERIAL NO. | 種数<br>CKT. |
| MODEL NO.                      |      |      |     |     | 52808-**-71  |            |

|  |  |                          |                            |   |   |                        |                        |
|--|--|--------------------------|----------------------------|---|---|------------------------|------------------------|
| REVISED<br>EC NO.: J2014-0123<br>DRWN: SATO 2013/07/24<br>CHKD: TAKAHASHI 2013/07/24<br>APPR: YNOGAWA 2013/08/06 | GENERAL TOLERANCES (UNLESS SPECIFIED)                |                          | DIMENSION STYLE<br>MM ONLY |   | SCALE<br>---  | DESIGN UNITS<br>METRIC | THIRD ANGLE PROJECTION |
|  | 10 UNDER   | ± ---                    | DRAWN BY<br>MNINOMIYA      | DATE<br>2004/02/09  | TITLE<br>1.0 FFC CONN NON ZIF SMT<br>ST WITH TAPE EMBSTP PKG<br>-LEAD FREE- |                        |                        |
|  | 10 OVER 30 UNDER                                     | ± ---                    | CHECKED BY<br>KTOJO        | DATE<br>2004/02/09  | <b>molex</b><br>DOCUMENT NO. SD-52808-026<br>SHEET NO. 2 OF 6               |                        |                        |
|  | 30 OVER  | ± ---                    | APPROVED BY                | DATE  |   |                        |                        |
|  | ANGULAR ± --- °                                      | MATERIAL NO.<br>SEE NOTE |                            |   |   |                        |                        |
|  | DRAFT WHERE APPLICABLE MUST REMAIN WITHIN DIMENSIONS | SIZE<br>A3               |                            | THIS DRAWING CONTAINS INFORMATION THAT IS PROPRIETARY TO MOLEX INCORPORATED AND SHOULD NOT BE USED WITHOUT WRITTEN PERMISSION |   |                        |                        |



SECT:Y-Y

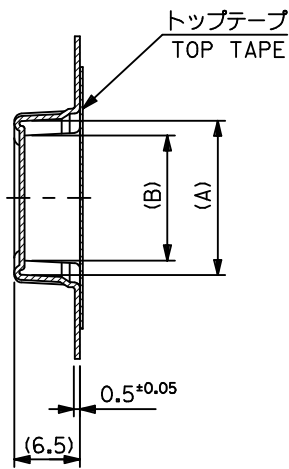


SECT:X-X

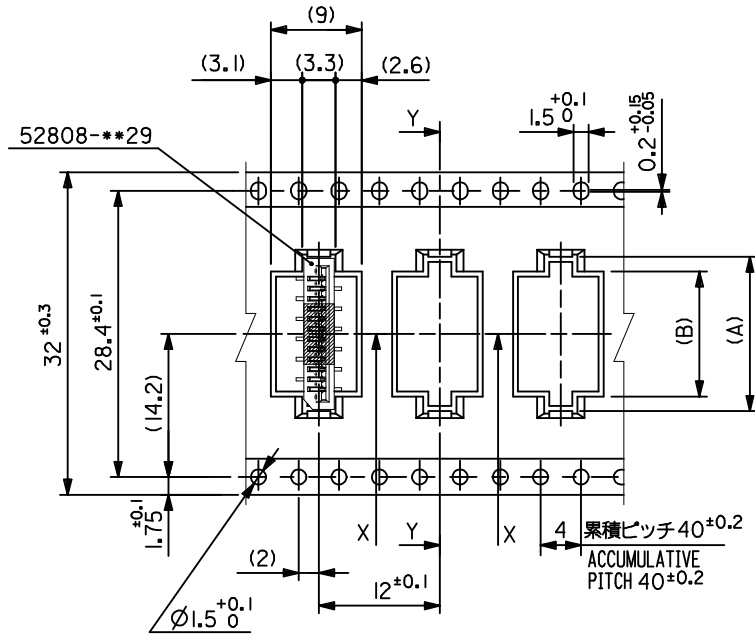
24mm幅キャリアテープ  
24mm WIDTH CARRIER TAPE

|                                |      |      |             |      |              |            |
|--------------------------------|------|------|-------------|------|--------------|------------|
| 24                             | 29.4 | 25.4 | 10.4        | 13.3 | 52808-1071   | 10         |
|                                |      |      | 9.4         | 12.3 | 52808-0971   | 9          |
|                                |      |      | 8.4         | 11.3 | 52808-0871   | 8          |
|                                |      |      | 7.4         | 10.3 | 52808-0771   | 7          |
|                                |      |      | 6.4         | 9.3  | 52808-0671   | 6          |
| キャリアテープ幅<br>CARRIER TAPE WIDTH | D    | C    | (B)         | (A)  | MATERIAL NO. | 種数<br>CKT. |
| MODEL NO.                      |      |      | 52808-**-71 |      |              |            |

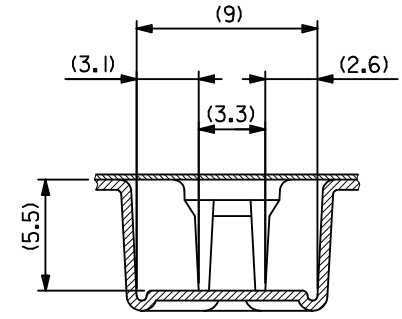
|   |             |  |       |   |                    |   |                        |                        |  |
|---|-------------|--|-------|---|--------------------|---|------------------------|------------------------|--|
| REVISED<br>EC NO.: J2014-0123<br>2013/07/24<br>DRWN:FSATO<br>2013/07/24<br>CHKD:KAKAHASHI<br>2013/08/06<br>APPR:YNOGAWA | DESCRIPTION | GENERAL TOLERANCES (UNLESS SPECIFIED)                |       | DIMENSION STYLE<br>MM ONLY  |                    | SCALE<br>---  | DESIGN UNITS<br>METRIC | THIRD ANGLE PROJECTION |  |
|   |             | 10 UNDER   | ± --- | DRAWN BY<br>MNINOMIYA   | DATE<br>2004/02/09 | TITLE<br>1.0 FFC CONN NON ZIF SMT<br>ST WITH TAPE EMBSTP PKG<br>-LEAD FREE- |                        |                        |  |
|   |             | 10 OVER 30 UNDER                                     | ± --- | CHECKED BY<br>KTOJO   | DATE<br>2004/02/09 |   |                        |                        |  |
|   |             | 30 OVER  | ± --- | APPROVED BY   | DATE               |   |                        |                        |  |
| ANGULAR ± --- °   |             | DRAFT WHERE APPLICABLE MUST REMAIN WITHIN DIMENSIONS |       | THIS DRAWING CONTAINS INFORMATION THAT IS PROPRIETARY TO MOLEX INCORPORATED AND SHOULD NOT BE USED WITHOUT WRITTEN PERMISSION |                    |   |                        |                        |  |



SECT:Y-Y



引き出し方向  
PULL OUT DIRECTION

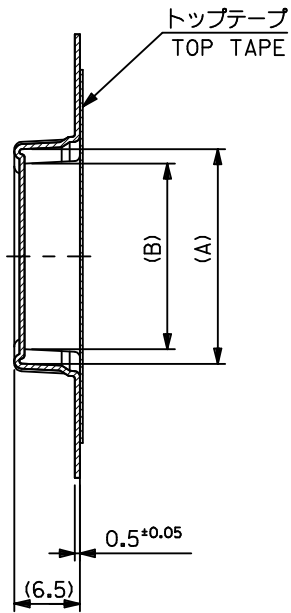


SECT:X-X

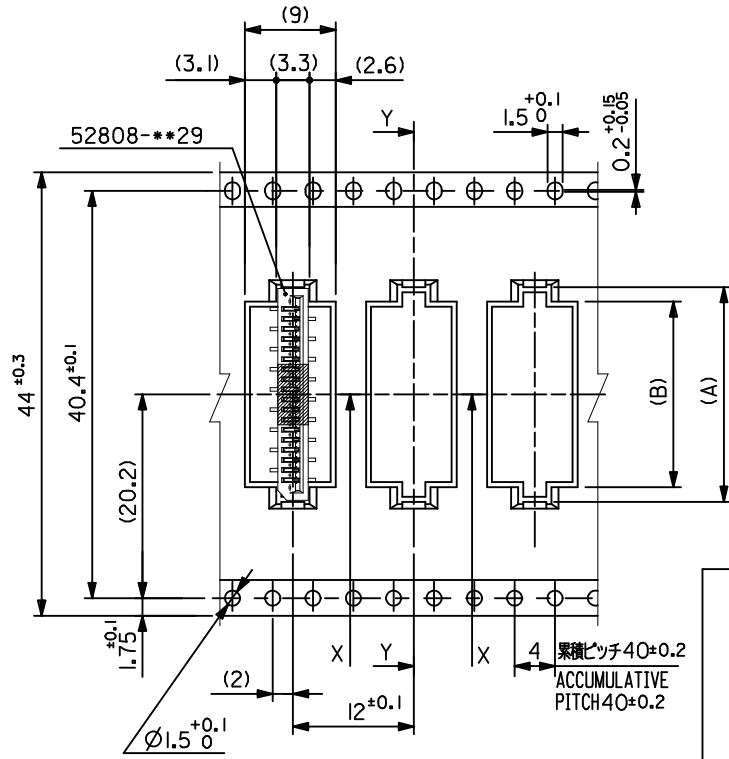
32mm幅キャリアテープ  
32mm WIDTH CARRIER TAPE

|                                |      |      |             |      |              |            |
|--------------------------------|------|------|-------------|------|--------------|------------|
| 32                             | 37.4 | 33.4 | 15.4        | 18.3 | 52808-1571   | 15         |
|                                |      |      | 14.4        | 17.3 | 52808-1471   | 14         |
|                                |      |      | 13.4        | 16.3 | 52808-1371   | 13         |
|                                |      |      | 12.4        | 15.3 | 52808-1271   | 12         |
|                                |      |      | 11.4        | 14.3 | 52808-1171   | 11         |
| キャリアテープ幅<br>CARRIER TAPE WIDTH | D    | C    | (B)         | (A)  | MATERIAL NO. | 種数<br>CKT. |
| MODEL NO.                      |      |      | 52808-***71 |      |              |            |

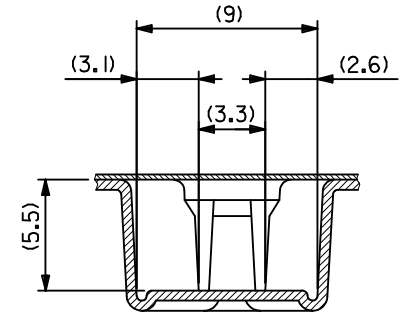
|  |   |  |  |  |  |   |                        |                           |  |  |
|--|---|--|--|--|--|---|------------------------|---------------------------|--|--|
| REVISED<br>EC NO: J2014-0123<br>DRW: FSATO 2013/07/24<br>CHK: K.TAKAHASHI 2013/07/24<br>APPR: YNOGAWA 2013/08/06 | DESCRIPTION<br>10 UNDER ± ---<br>10 OVER 30 UNDER ± ---<br>30 OVER ± ---<br>ANGULAR ± --- °<br>DRAFT WHERE APPLICABLE<br>MUST REMAIN<br>WITHIN DIMENSIONS | GENERAL TOLERANCES<br>(UNLESS SPECIFIED) |  | DIMENSION STYLE<br>MM ONLY   |  | SCALE<br>---  | DESIGN UNITS<br>METRIC | THIRD ANGLE<br>PROJECTION |  |  |
|  |   | DRAWN BY<br>MNINOMIYA                    |  | DATE<br>2004/02/09   |  | TITLE<br>1.0 FFC CONN NON ZIF SMT<br>ST WITH TAPE EMBSTP PKG<br>-LEAD FREE- |                        |                           |  |  |
|  |   | CHECKED BY<br>KTOJO                      |  | DATE<br>2004/02/09   |  | <b>molex</b><br>DOCUMENT NO. SD-52808-026<br>SHEET NO. 4 OF 6               |                        |                           |  |  |
|  |   | APPROVED BY                              |  | DATE   |  |   |                        |                           |  |  |
|  |   | MATERIAL NO.<br>SEE NOTE                 |  | THIS DRAWING CONTAINS INFORMATION THAT IS PROPRIETARY TO MOLEX<br>INCORPORATED AND SHOULD NOT BE USED WITHOUT WRITTEN PERMISSION |  |   |                        |                           |  |  |



SECT:Y-Y



引き出し方向  
PULL OUT DIRECTION

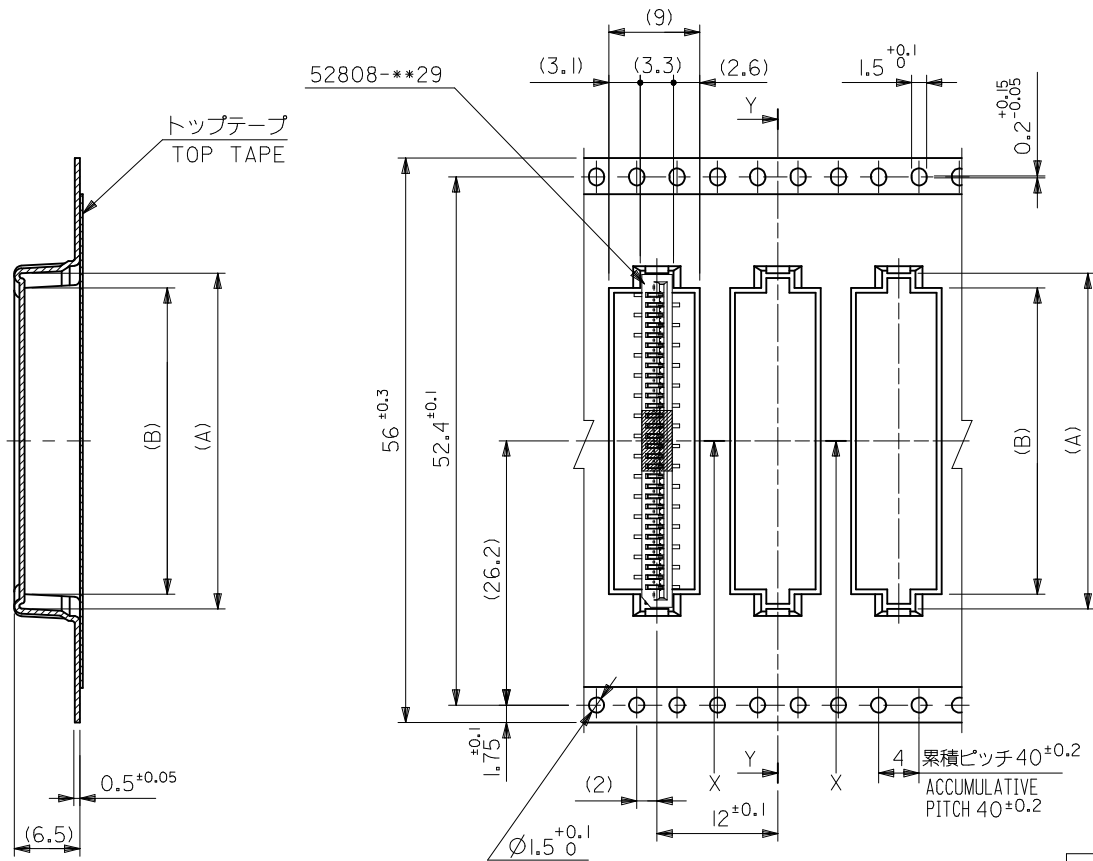


SECT:X-X

44mm幅キャリアテープ  
44mm WIDTH CARRIER TAPE

|                                |      |            |             |      |              |            |
|--------------------------------|------|------------|-------------|------|--------------|------------|
| 44                             | 49.4 | 45.4       | 28.4        | 31.3 | 52808-2871   | 28         |
|                                |      |            | 27.4        | 30.3 | 52808-2771   | 27         |
|                                |      |            | 25.4        | 28.3 | 52808-2571   | 25         |
|                                |      |            | 24.4        | 27.3 | 52808-2471   | 24         |
|                                |      |            | 23.4        | 26.3 | 52808-2371   | 23         |
|                                |      |            | 22.4        | 25.3 | 52808-2271   | 22         |
|                                |      |            | 21.4        | 24.3 | 52808-2171   | 21         |
|                                |      |            | 20.4        | 23.3 | 52808-2071   | 20         |
|                                |      |            | 19.4        | 22.3 | 52808-1971   | 19         |
|                                |      |            | 18.4        | 21.3 | 52808-1871   | 18         |
| 17.4                           | 20.3 | 52808-1771 | 17          |      |              |            |
| 16.4                           | 19.3 | 52808-1671 | 16          |      |              |            |
| キャリアテープ幅<br>CARRIER TAPE WIDTH | D    | C          | (B)         | (A)  | MATERIAL NO. | 種数<br>CKT. |
| MODEL NO.                      |      |            | 52808-***71 |      |              |            |

|   |                    |  |       |                            |                    |   |                        |                        |  |  |
|---|--------------------|--|-------|----------------------------|--------------------|---|------------------------|------------------------|--|--|
| REVISED<br>EC NO.: J2014-0123<br>DRW:FSATO 2013/07/24<br>CHKD:KAKAHASHI 2013/07/24<br>APPR:YNOGAWA 2013/08/06 | DESCRIPTION<br>REV | GENERAL TOLERANCES (UNLESS SPECIFIED)  |       | DIMENSION STYLE<br>MM ONLY |                    | SCALE<br>---  | DESIGN UNITS<br>METRIC | THIRD ANGLE PROJECTION |  |  |
|   |                    | 10 UNDER   | ± --- | DRAWN BY<br>MNINOMIYA      | DATE<br>2004/02/09 | TITLE<br>1.0 FFC CONN NON ZIF SMT<br>ST WITH TAPE EMBSTP PKG<br>-LEAD FREE- |                        |                        |  |  |
|   |                    | 10 OVER 30 UNDER   | ± --- | CHECKED BY<br>KTOJO        | DATE<br>2004/02/09 |   |                        |                        |  |  |
|   |                    | 30 OVER  | ± --- | APPROVED BY                | DATE               |   |                        |                        |  |  |
| ANGULAR ± --- °<br>DRAFT WHERE APPLICABLE<br>MUST REMAIN<br>WITHIN DIMENSIONS                                 |                    | THIS DRAWING CONTAINS INFORMATION THAT IS PROPRIETARY TO MOLEX<br>INCORPORATED AND SHOULD NOT BE USED WITHOUT WRITTEN PERMISSION |       |                            |                    |   |                        |                        |  |  |



SECT:Y-Y

引き出し方向  
PULL OUT DIRECTION

56mm幅キャリアテープ  
56mm WIDTH CARRIER TAPE

|                                |      |              |                        |      |                           |    |
|--------------------------------|------|--------------|------------------------|------|---------------------------|----|
| 56                             | 61.4 | 57.4         | 30.4                   | 33.3 | 52808-3071                | 30 |
| キャリアテープ幅<br>CARRIER TAPE WIDTH | D    | C            | (B)                    | (A)  | 52808-2971                | 29 |
| MODEL NO.                      |      |              |                        |      | 52808-**71                |    |
| DIMENSION STYLE<br>MM ONLY     |      | SCALE<br>--- | DESIGN UNITS<br>METRIC |      | THIRD ANGLE<br>PROJECTION |    |

|   |  |       |
|---|--|-------|
| REVISED<br>EC NO: J2014-0123<br>DRW:FSATO 2013/07/24<br>CHK:D:TAHASHI 2013/07/24<br>APPR:YNOGAWA 2013/08/06 | GENERAL TOLERANCES<br>(UNLESS SPECIFIED)                   |       |
|   | 10 UNDER   | ± --- |
|   | 10 OVER 30 UNDER   | ± --- |
|   | 30 OVER  | ± --- |
| DESCRIPTION   | ANGULAR ± --- °  |       |
| REV   | DRAFT WHERE APPLICABLE<br>MUST REMAIN<br>WITHIN DIMENSIONS |       |

|  |                              |   |
|--|------------------------------|---|
| DRAWN BY<br>MNINOMIYA  | DATE<br>2004/02/09           | TITLE<br>1.0 FFC CONN NON ZIF SMT<br>ST WITH TAPE EMBSTP PKG<br>-LEAD FREE- |
| CHECKED BY<br>KTOJO  | DATE<br>2004/02/09           | <b>molex</b>  |
| APPROVED BY  | DATE                         |   |
| MATERIAL NO.<br>SEE NOTE   | DOCUMENT NO.<br>SD-52808-026 | SHEET NO.<br>6 OF 6   |
| SIZE A3 THIS DRAWING CONTAINS INFORMATION THAT IS PROPRIETARY TO MOLEX<br>INCORPORATED AND SHOULD NOT BE USED WITHOUT WRITTEN PERMISSION |                              |   |





Компания «ЭлектроПласт» предлагает заключение долгосрочных отношений при поставках импортных электронных компонентов на взаимовыгодных условиях!

Наши преимущества:

- Оперативные поставки широкого спектра электронных компонентов отечественного и импортного производства напрямую от производителей и с крупнейших мировых складов;
- Поставка более 17-ти миллионов наименований электронных компонентов;
- Поставка сложных, дефицитных, либо снятых с производства позиций;
- Оперативные сроки поставки под заказ (от 5 рабочих дней);
- Экспресс доставка в любую точку России;
- Техническая поддержка проекта, помощь в подборе аналогов, поставка прототипов;
- Система менеджмента качества сертифицирована по Международному стандарту ISO 9001;
- Лицензия ФСБ на осуществление работ с использованием сведений, составляющих государственную тайну;
- Поставка специализированных компонентов (Xilinx, Altera, Analog Devices, Intersil, Interpoint, Microsemi, Aeroflex, Peregrine, Syfer, Eurofarad, Texas Instrument, Miteq, Cobham, E2V, MA-COM, Hittite, Mini-Circuits, General Dynamics и др.);

Помимо этого, одним из направлений компании «ЭлектроПласт» является направление «Источники питания». Мы предлагаем Вам помощь Конструкторского отдела:

- Подбор оптимального решения, техническое обоснование при выборе компонента;
- Подбор аналогов;
- Консультации по применению компонента;
- Поставка образцов и прототипов;
- Техническая поддержка проекта;
- Защита от снятия компонента с производства.



#### Как с нами связаться

**Телефон:** 8 (812) 309 58 32 (многоканальный)

**Факс:** 8 (812) 320-02-42

**Электронная почта:** [org@eplast1.ru](mailto:org@eplast1.ru)

**Адрес:** 198099, г. Санкт-Петербург, ул. Калинина, дом 2, корпус 4, литера А.