

## Voltage Supervisor

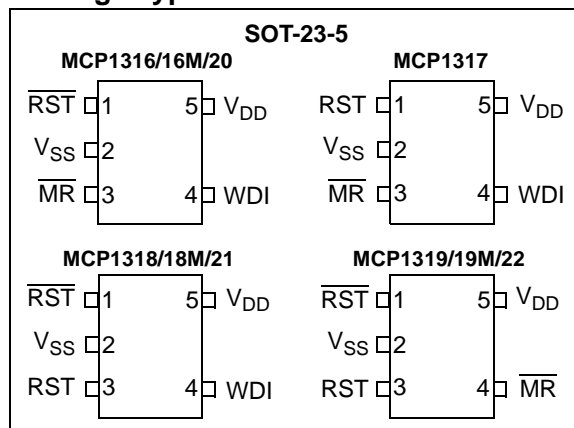
### Features:

- Low Supply Current: 1  $\mu$ A (Typical), 10  $\mu$ A (Max.)
- Precision Monitoring Trip Point Options:
  - 2.9V and 4.6V (Standard Offerings)
  - 2.0V to 4.7V in 100 mV Increments, (Contact the local Microchip Sales Office)
- Resets Microcontroller in a Power-loss Event
- Reset Delay Time-Out Option:
  - 1.4 ms, 30 ms, 200 ms, or 1.6s (Typical)
- Watchdog Timer Input Time-Out Options:
  - 6.3 ms, 102 ms, 1.6s, or 25.6s (Typical)
- Manual Reset ( $\overline{\text{MR}}$ ) Input (Active-low)
- Single and Complementary Reset Output(s)
- Reset Output Options:
  - Push-Pull (Active-high or Active-low)
  - Open-Drain (Internal or External Pull-up)
- Temperature Range:
  - $-40^{\circ}\text{C}$  to  $+85^{\circ}\text{C}$  for Trip Points 2.0 to 2.4V and,
  - $-40^{\circ}\text{C}$  to  $+125^{\circ}\text{C}$  for Trip Points  $> 2.5\text{V}$
- Voltage Range: 1.0V to 5.5V
- Lead Free Packaging

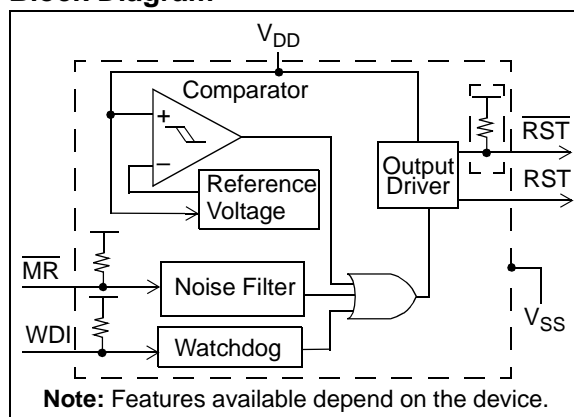
### Description:

The MCP131X/2X are voltage supervisor devices designed to keep a microcontroller in Reset until the system voltage has reached and stabilized at the proper level for reliable system operation. The table below shows the available features for these devices.

### Package Types



### Block Diagram



### Device Features

| Device   | Reset Output A |                  |              | Reset Output B |                  |              | WDI Input | $\overline{\text{MR}}$ Input |
|----------|----------------|------------------|--------------|----------------|------------------|--------------|-----------|------------------------------|
|          | Type           | Pull-up Resistor | Active Level | Type           | Pull-up Resistor | Active Level |           |                              |
| MCP1316  | Push-Pull      | —                | Low          | —              | —                | —            | Yes       | Yes                          |
| MCP1316M | Open-Drain     | Internal         | Low          | —              | —                | —            | Yes       | Yes                          |
| MCP1317  | Push-Pull      | —                | High         | —              | —                | —            | Yes       | Yes                          |
| MCP1318  | Push-Pull      | —                | Low          | Push-Pull      | —                | High         | Yes       | No                           |
| MCP1318M | Open-Drain     | Internal         | Low          | Push-Pull      | —                | High         | Yes       | No                           |
| MCP1319  | Push-Pull      | —                | Low          | Push-Pull      | —                | High         | No        | Yes                          |
| MCP1319M | Open-Drain     | Internal         | Low          | Push-Pull      | —                | High         | No        | Yes                          |
| MCP1320  | Open-Drain     | External         | Low          | —              | —                | —            | Yes       | Yes                          |
| MCP1321  | Open-Drain     | External         | Low          | Push-Pull      | —                | High         | Yes       | No                           |
| MCP1322  | Open-Drain     | External         | Low          | Push-Pull      | —                | High         | No        | Yes                          |

# MCP131X/2X

---

NOTES:

## 1.0 ELECTRICAL CHARACTERISTICS

### Absolute Maximum Ratings†

|  |                              |
|--|------------------------------|
| Supply Voltage ( $V_{DD}$ to $V_{SS}$ )  | 7.0V                         |
| Input current ( $V_{DD}$ )   | 10 mA                        |
| Output current ( $\overline{RST}$ )  | 10 mA                        |
| Voltage on all inputs and outputs, except Open-Drain $\overline{RST}$ (with no internal pull-up resistor), w.r.t. $V_{SS}$ | -0.6V to ( $V_{DD} + 1.0V$ ) |
| Voltage on Open-Drain $\overline{RST}$ (with no internal pull-up resistor) w.r.t. $V_{SS}$                                 | -0.6V to 13.5V               |
| Storage temperature  | -65°C to +150°C              |
| Ambient temp. with power applied   | -40°C to +125°C              |
| Maximum Junction temp. with power applied  | +150°C                       |
| Power Dissipation ( $T_A \leq +70^\circ\text{C}$ ):  |                              |
| 5-Pin SOT-23A  | 240 mW                       |
| ESD protection on all pins   | $\geq 4$ kV                  |

† **Notice:** Stresses above those listed under “Maximum Ratings” may cause permanent damage to the device. This is a stress rating only and functional operation of the device at those or any other conditions above those indicated in the operational listings of this specification is not implied. Exposure to maximum rating conditions for extended periods may affect device reliability.

### DC CHARACTERISTICS

**Electrical Specifications:** Unless otherwise indicated, all limits are specified for  $V_{DD} = 1V$  to  $5.5V$ ,  $R_{PU} = 100$  k $\Omega$  (only **MCP1320**, **MCP1321** and **MCP1322**),  $T_A = -40^\circ\text{C}$  to  $+125^\circ\text{C}$ .

| Parameters                                | Sym      | Min | Typ | Max | Units         | Conditions  |
|---|----------|-----|-----|-----|---------------|---|
| Operating Voltage Range                   | $V_{DD}$ | 1.0 | —   | 5.5 | V             |   |
| Specified $V_{DD}$ Value to $V_{OUT}$ Low | $V_{DD}$ | 1.0 | —   | —   | V             | $I_{\overline{RST}} = 10 \mu\text{A}$ , $V_{\overline{RST}} < 0.3V$ |
| Operating Current:                        | $I_{DD}$ | —   | 5   | 10  | $\mu\text{A}$ | Watchdog Timer Active   |
|   |          | —   | 1   | 2   | $\mu\text{A}$ | Watchdog Timer Inactive   |
|   |          | —   | 1   | 2   | $\mu\text{A}$ | $V_{DD} < V_{TRIP}$   |
|   |          | —   | 5   | 10  | $\mu\text{A}$ | Reset Delay Timer Active  |

- Note 1:** Trip point is  $\pm 1.5\%$  from typical value.  
**2:** Trip point is  $\pm 2.5\%$  from typical value.  
**3:** Hysteresis is minimum = 1%, maximum = 6% at  $+25^\circ\text{C}$ .  
**4:** This specification allows this device to be used in PIC<sup>®</sup> microcontroller applications that require the In-Circuit Serial Programming<sup>™</sup> (ICSP<sup>™</sup>) feature (see device-specific programming specifications for voltage requirements). The total time that the  $\overline{RST}$  pin can be above the maximum device operational voltage (5.5V) is 100s. Current into the  $\overline{RST}$  pin should be limited to 2 mA. It is recommended that the device operational temperature be maintained between  $0^\circ\text{C}$  to  $+70^\circ\text{C}$  ( $+25^\circ\text{C}$  preferred). For additional information, refer to [Figure 2-35](#).  
**5:** This parameter is established by characterization and is not 100% tested.  
**6:** Custom ordered voltage trip point; minimum order volume requirement. Information available upon request.

# MCP131X/2X

## DC CHARACTERISTICS (CONTINUED)

**Electrical Specifications:** Unless otherwise indicated, all limits are specified for  $V_{DD} = 1V$  to  $5.5V$ ,  $R_{PU} = 100\text{ k}\Omega$  (only **MCP1320**, **MCP1321** and **MCP1322**),  $T_A = -40^\circ\text{C}$  to  $+125^\circ\text{C}$ .

| Parameters                 |                        | Sym               | Min   | Typ  | Max   | Units | Conditions                                |
|----------------------------|------------------------|-------------------|-------|------|-------|-------|---|
| V <sub>DD</sub> Trip Point | MCP13XX-20<br>(Note 6) | V <sub>TRIP</sub> | 1.970 | 2.00 | 2.030 | V     | T <sub>A</sub> = +25°C (Note 1)           |
|                            |                        |                   | 1.950 | 2.00 | 2.050 | V     | T <sub>A</sub> = -40°C to +85°C (Note 2)  |
|                            | MCP13XX-21<br>(Note 6) |                   | 2.069 | 2.10 | 2.132 | V     | T <sub>A</sub> = +25°C (Note 1)           |
|                            |                        |                   | 2.048 | 2.10 | 2.153 | V     | T <sub>A</sub> = -40°C to +85°C (Note 2)  |
|                            | MCP13XX-22<br>(Note 6) |                   | 2.167 | 2.20 | 2.233 | V     | T <sub>A</sub> = +25°C (Note 1)           |
|                            |                        |                   | 2.145 | 2.20 | 2.255 | V     | T <sub>A</sub> = -40°C to +85°C (Note 2)  |
|                            | MCP13XX-23<br>(Note 6) |                   | 2.266 | 2.30 | 2.335 | V     | T <sub>A</sub> = +25°C (Note 1)           |
|                            |                        |                   | 2.243 | 2.30 | 2.358 | V     | T <sub>A</sub> = -40°C to +85°C (Note 2)  |
|                            | MCP13XX-24<br>(Note 6) |                   | 2.364 | 2.40 | 2.436 | V     | T <sub>A</sub> = +25°C (Note 1)           |
|                            |                        |                   | 2.340 | 2.40 | 2.460 | V     | T <sub>A</sub> = -40°C to +85°C (Note 2)  |
|                            | MCP13XX-25<br>(Note 6) |                   | 2.463 | 2.50 | 2.538 | V     | T <sub>A</sub> = +25°C (Note 1)           |
|                            |                        |                   | 2.438 | 2.50 | 2.563 | V     | T <sub>A</sub> = -40°C to +125°C (Note 2) |
|                            | MCP13XX-26<br>(Note 6) |                   | 2.561 | 2.60 | 2.639 | V     | T <sub>A</sub> = +25°C (Note 1)           |
|                            |                        |                   | 2.535 | 2.60 | 2.665 | V     | T <sub>A</sub> = -40°C to +125°C (Note 2) |
|                            | MCP13XX-27<br>(Note 6) |                   | 2.660 | 2.70 | 2.741 | V     | T <sub>A</sub> = +25°C (Note 1)           |
|                            |                        |                   | 2.633 | 2.70 | 2.768 | V     | T <sub>A</sub> = -40°C to +125°C (Note 2) |
|                            | MCP13XX-28<br>(Note 6) |                   | 2.758 | 2.80 | 2.842 | V     | T <sub>A</sub> = +25°C (Note 1)           |
|                            |                        |                   | 2.730 | 2.80 | 2.870 | V     | T <sub>A</sub> = -40°C to +125°C (Note 2) |
|                            | MCP13XX-29             |                   | 2.857 | 2.90 | 2.944 | V     | T <sub>A</sub> = +25°C (Note 1)           |
|                            |                        |                   | 2.828 | 2.90 | 2.973 | V     | T <sub>A</sub> = -40°C to +125°C (Note 2) |
|                            | MCP13XX-30<br>(Note 6) |                   | 2.955 | 3.00 | 3.045 | V     | T <sub>A</sub> = +25°C (Note 1)           |
|                            |                        |                   | 2.925 | 3.00 | 3.075 | V     | T <sub>A</sub> = -40°C to +125°C (Note 2) |
|                            | MCP13XX-31<br>(Note 6) |                   | 3.054 | 3.10 | 3.147 | V     | T <sub>A</sub> = +25°C (Note 1)           |
|                            |                        |                   | 3.023 | 3.10 | 3.178 | V     | T <sub>A</sub> = -40°C to +125°C (Note 2) |
|                            | MCP13XX-32<br>(Note 6) |                   | 3.152 | 3.20 | 3.248 | V     | T <sub>A</sub> = +25°C (Note 1)           |
|                            |                        |                   | 3.120 | 3.20 | 3.280 | V     | T <sub>A</sub> = -40°C to +125°C (Note 2) |
|                            | MCP13XX-33<br>(Note 6) |                   | 3.251 | 3.30 | 3.350 | V     | T <sub>A</sub> = +25°C (Note 1)           |
|                            |                        |                   | 3.218 | 3.30 | 3.383 | V     | T <sub>A</sub> = -40°C to +125°C (Note 2) |

**Note 1:** Trip point is  $\pm 1.5\%$  from typical value.

**Note 2:** Trip point is  $\pm 2.5\%$  from typical value.

**Note 3:** Hysteresis is minimum = 1%, maximum = 6% at +25°C.

**Note 4:** This specification allows this device to be used in PIC<sup>®</sup> microcontroller applications that require the In-Circuit Serial Programming™ (ICSP™) feature (see device-specific programming specifications for voltage requirements). The total time that the RST pin can be above the maximum device operational voltage (5.5V) is 100s. Current into the RST pin should be limited to 2 mA. It is recommended that the device operational temperature be maintained between 0°C to +70°C (+25°C preferred). For additional information, refer to [Figure 2-35](#).

**Note 5:** This parameter is established by characterization and is not 100% tested.

**Note 6:** Custom ordered voltage trip point; minimum order volume requirement. Information available upon request.

## DC CHARACTERISTICS (CONTINUED)

**Electrical Specifications:** Unless otherwise indicated, all limits are specified for  $V_{DD} = 1V$  to  $5.5V$ ,  $R_{PU} = 100\text{ k}\Omega$  (only **MCP1320**, **MCP1321** and **MCP1322**),  $T_A = -40^\circ\text{C}$  to  $+125^\circ\text{C}$ .

| Parameters                  | Sym                    | Min        | Typ      | Max   | Units                 | Conditions   |  |
|-----------------------------|------------------------|------------|----------|-------|-----------------------|--|--|
| $V_{DD}$ Trip Point (Con't) | MCP13XX-34<br>(Note 6) | $V_{TRIP}$ | 3.349    | 3.40  | 3.451                 | V  | $T_A = +25^\circ\text{C}$ (Note 1)                         |
|                             |                        |            | 3.315    | 3.40  | 3.385                 | V  | $T_A = -40^\circ\text{C}$ to $+125^\circ\text{C}$ (Note 2) |
|                             | MCP13XX-35<br>(Note 6) |            | 3.448    | 3.50  | 3.553                 | V  | $T_A = +25^\circ\text{C}$ (Note 1)                         |
|                             |                        |            | 3.413    | 3.50  | 3.588                 | V  | $T_A = -40^\circ\text{C}$ to $+125^\circ\text{C}$ (Note 2) |
|                             | MCP13XX-36<br>(Note 6) |            | 3.546    | 3.60  | 3.654                 | V  | $T_A = +25^\circ\text{C}$ (Note 1)                         |
|                             |                        |            | 3.510    | 3.60  | 3.690                 | V  | $T_A = -40^\circ\text{C}$ to $+125^\circ\text{C}$ (Note 2) |
|                             | MCP13XX-37<br>(Note 6) |            | 3.645    | 3.70  | 3.756                 | V  | $T_A = +25^\circ\text{C}$ (Note 1)                         |
|                             |                        |            | 3.608    | 3.70  | 3.793                 | V  | $T_A = -40^\circ\text{C}$ to $+125^\circ\text{C}$ (Note 2) |
|                             | MCP13XX-38<br>(Note 6) |            | 3.743    | 3.80  | 3.857                 | V  | $T_A = +25^\circ\text{C}$ (Note 1)                         |
|                             |                        |            | 3.705    | 3.80  | 3.895                 | V  | $T_A = -40^\circ\text{C}$ to $+125^\circ\text{C}$ (Note 2) |
|                             | MCP13XX-39<br>(Note 6) |            | 3.842    | 3.90  | 3.959                 | V  | $T_A = +25^\circ\text{C}$ (Note 1)                         |
|                             |                        |            | 3.803    | 3.90  | 3.998                 | V  | $T_A = -40^\circ\text{C}$ to $+125^\circ\text{C}$ (Note 2) |
|                             | MCP13XX-40<br>(Note 6) |            | 3.940    | 4.00  | 4.060                 | V  | $T_A = +25^\circ\text{C}$ (Note 1)                         |
|                             |                        |            | 3.900    | 4.00  | 4.100                 | V  | $T_A = -40^\circ\text{C}$ to $+125^\circ\text{C}$ (Note 2) |
|                             | MCP13XX-41<br>(Note 6) |            | 4.039    | 4.10  | 4.162                 | V  | $T_A = +25^\circ\text{C}$ (Note 1)                         |
|                             |                        |            | 3.998    | 4.10  | 4.203                 | V  | $T_A = -40^\circ\text{C}$ to $+125^\circ\text{C}$ (Note 2) |
|                             | MCP13XX-42<br>(Note 6) |            | 4.137    | 4.20  | 4.263                 | V  | $T_A = +25^\circ\text{C}$ (Note 1)                         |
|                             |                        |            | 4.095    | 4.20  | 4.305                 | V  | $T_A = -40^\circ\text{C}$ to $+125^\circ\text{C}$ (Note 2) |
|                             | MCP13XX-43<br>(Note 6) |            | 4.236    | 4.30  | 4.365                 | V  | $T_A = +25^\circ\text{C}$ (Note 1)                         |
|                             |                        |            | 4.193    | 4.30  | 4.408                 | V  | $T_A = -40^\circ\text{C}$ to $+125^\circ\text{C}$ (Note 2) |
|                             | MCP13XX-44<br>(Note 6) |            | 4.334    | 4.40  | 4.466                 | V  | $T_A = +25^\circ\text{C}$ (Note 1)                         |
|                             |                        |            | 4.290    | 4.40  | 4.510                 | V  | $T_A = -40^\circ\text{C}$ to $+125^\circ\text{C}$ (Note 2) |
|                             | MCP13XX-45<br>(Note 6) |            | 4.433    | 4.50  | 4.568                 | V  | $T_A = +25^\circ\text{C}$ (Note 1)                         |
|                             |                        |            | 4.388    | 4.50  | 4.613                 | V  | $T_A = -40^\circ\text{C}$ to $+125^\circ\text{C}$ (Note 2) |
| MCP13XX-46                  |                        | 4.531      | 4.60     | 4.669 | V                     | $T_A = +25^\circ\text{C}$ (Note 1)                         |  |
|                             |                        | 4.485      | 4.60     | 4.715 | V                     | $T_A = -40^\circ\text{C}$ to $+125^\circ\text{C}$ (Note 2) |  |
| MCP13XX-47<br>(Note 6)      |                        | 4.630      | 4.70     | 4.771 | V                     | $T_A = +25^\circ\text{C}$ (Note 1)                         |  |
|                             |                        | 4.583      | 4.70     | 4.818 | V                     | $T_A = -40^\circ\text{C}$ to $+125^\circ\text{C}$ (Note 2) |  |
| $V_{DD}$ Trip Point Tempco  | $T_{TPCO}$             | —          | $\pm 40$ | —     | ppm/ $^\circ\text{C}$ |  |  |

- Note 1:** Trip point is  $\pm 1.5\%$  from typical value.  
**Note 2:** Trip point is  $\pm 2.5\%$  from typical value.  
**Note 3:** Hysteresis is minimum = 1%, maximum = 6% at  $+25^\circ\text{C}$ .  
**Note 4:** This specification allows this device to be used in PIC<sup>®</sup> microcontroller applications that require the In-Circuit Serial Programming<sup>™</sup> (ICSP<sup>™</sup>) feature (see device-specific programming specifications for voltage requirements). The total time that the RST pin can be above the maximum device operational voltage (5.5V) is 100s. Current into the RST pin should be limited to 2 mA. It is recommended that the device operational temperature be maintained between  $0^\circ\text{C}$  to  $+70^\circ\text{C}$  ( $+25^\circ\text{C}$  preferred). For additional information, refer to [Figure 2-35](#).  
**Note 5:** This parameter is established by characterization and is not 100% tested.  
**Note 6:** Custom ordered voltage trip point; minimum order volume requirement. Information available upon request.

# MCP131X/2X

## DC CHARACTERISTICS (CONTINUED)

**Electrical Specifications:** Unless otherwise indicated, all limits are specified for  $V_{DD} = 1V$  to  $5.5V$ ,  $R_{PU} = 100\text{ k}\Omega$  (only **MCP1320**, **MCP1321** and **MCP1322**),  $T_A = -40^\circ\text{C}$  to  $+125^\circ\text{C}$ .

| Parameters                       |                        | Sym       | Min      | Typ   | Max   | Units   | Conditions                         |
|----------------------------------|------------------------|-----------|----------|-------|---|---|------------------------------------|
| Threshold Hysteresis<br>(Note 3) | MCP13XX-20<br>(Note 6) | $V_{HYS}$ | 0.020    | —     | 0.120   | V   | $T_A = +25^\circ\text{C}$ (Note 3) |
|                                  |                        |           | (Note 6) |       | V   | $T_A = -40^\circ\text{C}$ to $+85^\circ\text{C}$  |                                    |
|                                  | MCP13XX-21<br>(Note 6) | $V_{HYS}$ | 0.021    | —     | 0.126   | V   | $T_A = +25^\circ\text{C}$ (Note 3) |
|                                  |                        |           | (Note 6) |       | V   | $T_A = -40^\circ\text{C}$ to $+85^\circ\text{C}$  |                                    |
|                                  | MCP13XX-22<br>(Note 6) | $V_{HYS}$ | 0.022    | —     | 0.132   | V   | $T_A = +25^\circ\text{C}$ (Note 3) |
|                                  |                        |           | (Note 6) |       | V   | $T_A = -40^\circ\text{C}$ to $+85^\circ\text{C}$  |                                    |
|                                  | MCP13XX-23<br>(Note 6) | $V_{HYS}$ | 0.023    | —     | 0.138   | V   | $T_A = +25^\circ\text{C}$ (Note 3) |
|                                  |                        |           | (Note 6) |       | V   | $T_A = -40^\circ\text{C}$ to $+85^\circ\text{C}$  |                                    |
|                                  | MCP13XX-24<br>(Note 6) | $V_{HYS}$ | 0.024    | —     | 0.144   | V   | $T_A = +25^\circ\text{C}$ (Note 3) |
|                                  |                        |           | (Note 6) |       | V   | $T_A = -40^\circ\text{C}$ to $+85^\circ\text{C}$  |                                    |
|                                  | MCP13XX-25<br>(Note 6) | $V_{HYS}$ | 0.025    | —     | 0.150   | V   | $T_A = +25^\circ\text{C}$ (Note 3) |
|                                  |                        |           | (Note 6) |       | V   | $T_A = -40^\circ\text{C}$ to $+125^\circ\text{C}$ |                                    |
|                                  | MCP13XX-26<br>(Note 6) | $V_{HYS}$ | 0.026    | —     | 0.156   | V   | $T_A = +25^\circ\text{C}$ (Note 3) |
|                                  |                        |           | (Note 6) |       | V   | $T_A = -40^\circ\text{C}$ to $+125^\circ\text{C}$ |                                    |
|                                  | MCP13XX-27<br>(Note 6) | $V_{HYS}$ | 0.027    | —     | 0.162   | V   | $T_A = +25^\circ\text{C}$ (Note 3) |
|                                  |                        |           | (Note 6) |       | V   | $T_A = -40^\circ\text{C}$ to $+125^\circ\text{C}$ |                                    |
|                                  | MCP13XX-28<br>(Note 6) | $V_{HYS}$ | 0.028    | —     | 0.168   | V   | $T_A = +25^\circ\text{C}$ (Note 3) |
|                                  |                        |           | (Note 6) |       | V   | $T_A = -40^\circ\text{C}$ to $+125^\circ\text{C}$ |                                    |
|                                  | MCP13XX-29             | $V_{HYS}$ | 0.029    | —     | 0.174   | V   | $T_A = +25^\circ\text{C}$ (Note 3) |
|                                  |                        |           | (Note 6) |       | V   | $T_A = -40^\circ\text{C}$ to $+125^\circ\text{C}$ |                                    |
| MCP13XX-30<br>(Note 6)           | $V_{HYS}$              | 0.030     | —        | 0.180 | V   | $T_A = +25^\circ\text{C}$ (Note 3)                |                                    |
|                                  |                        | (Note 6)  |          | V     | $T_A = -40^\circ\text{C}$ to $+125^\circ\text{C}$ |   |                                    |
| MCP13XX-31<br>(Note 6)           | $V_{HYS}$              | 0.031     | —        | 0.186 | V   | $T_A = +25^\circ\text{C}$ (Note 3)                |                                    |
|                                  |                        | (Note 6)  |          | V     | $T_A = -40^\circ\text{C}$ to $+125^\circ\text{C}$ |   |                                    |
| MCP13XX-32<br>(Note 6)           | $V_{HYS}$              | 0.032     | —        | 0.192 | V   | $T_A = +25^\circ\text{C}$ (Note 3)                |                                    |
|                                  |                        | (Note 6)  |          | V     | $T_A = -40^\circ\text{C}$ to $+125^\circ\text{C}$ |   |                                    |
| MCP13XX-33<br>(Note 6)           | $V_{HYS}$              | 0.033     | —        | 0.198 | V   | $T_A = +25^\circ\text{C}$ (Note 3)                |                                    |
|                                  |                        | (Note 6)  |          | V     | $T_A = -40^\circ\text{C}$ to $+125^\circ\text{C}$ |   |                                    |

- Note 1:** Trip point is  $\pm 1.5\%$  from typical value.  
**Note 2:** Trip point is  $\pm 2.5\%$  from typical value.  
**Note 3:** Hysteresis is minimum = 1%, maximum = 6% at  $+25^\circ\text{C}$ .  
**Note 4:** This specification allows this device to be used in PIC<sup>®</sup> microcontroller applications that require the In-Circuit Serial Programming<sup>™</sup> (ICSP<sup>™</sup>) feature (see device-specific programming specifications for voltage requirements). The total time that the RST pin can be above the maximum device operational voltage (5.5V) is 100s. Current into the RST pin should be limited to 2 mA. It is recommended that the device operational temperature be maintained between  $0^\circ\text{C}$  to  $+70^\circ\text{C}$  ( $+25^\circ\text{C}$  preferred). For additional information, refer to [Figure 2-35](#).  
**Note 5:** This parameter is established by characterization and is not 100% tested.  
**Note 6:** Custom ordered voltage trip point; minimum order volume requirement. Information available upon request.

## DC CHARACTERISTICS (CONTINUED)

**Electrical Specifications:** Unless otherwise indicated, all limits are specified for  $V_{DD} = 1V$  to  $5.5V$ ,  $R_{PU} = 100\text{ k}\Omega$  (only **MCP1320**, **MCP1321** and **MCP1322**),  $T_A = -40^\circ\text{C}$  to  $+125^\circ\text{C}$ .

| Parameters                                   | Sym                    | Min                    | Typ   | Max   | Units | Conditions                         |
|--|------------------------|------------------------|-------|-------|-------|------------------------------------|
| Threshold Hysteresis<br>(Continued) (Note 3) | MCP13XX-34<br>(Note 6) | 0.034                  | —     | 0.204 | V     | $T_A = +25^\circ\text{C}$ (Note 3) |
|  | MCP13XX-35<br>(Note 6) |                        |       |       |       | (Note 6)                           |
|  |                        | MCP13XX-36<br>(Note 6) | 0.035 | —     | 0.210 | V                                  |
|  | MCP13XX-37<br>(Note 6) |                        |       |       |       |                                    |
|  |                        | MCP13XX-38<br>(Note 6) | 0.036 | —     | 0.216 | V                                  |
|  | MCP13XX-39<br>(Note 6) |                        |       |       |       |                                    |
|  |                        | MCP13XX-40<br>(Note 6) | 0.037 | —     | 0.222 | V                                  |
|  | MCP13XX-41<br>(Note 6) |                        |       |       |       |                                    |
|  |                        | MCP13XX-42<br>(Note 6) | 0.038 | —     | 0.228 | V                                  |
|  | MCP13XX-43<br>(Note 6) |                        |       |       |       |                                    |
|  |                        | MCP13XX-44<br>(Note 6) | 0.039 | —     | 0.234 | V                                  |
|  | MCP13XX-45<br>(Note 6) |                        |       |       |       |                                    |
|  |                        | MCP13XX-46<br>(Note 6) | 0.040 | —     | 0.240 | V                                  |
|  | MCP13XX-47<br>(Note 6) |                        |       |       |       |                                    |
|  |                        | MCP13XX-48<br>(Note 6) | 0.041 | —     | 0.246 | V                                  |
|  | MCP13XX-49<br>(Note 6) |                        |       |       |       |                                    |
|  |                        | MCP13XX-50<br>(Note 6) | 0.042 | —     | 0.252 | V                                  |
|  | MCP13XX-51<br>(Note 6) |                        |       |       |       |                                    |
|  |                        | MCP13XX-52<br>(Note 6) | 0.043 | —     | 0.258 | V                                  |
|  | MCP13XX-53<br>(Note 6) |                        |       |       |       |                                    |
| MCP13XX-54<br>(Note 6)                       |                        | 0.044                  | —     | 0.264 | V     | $T_A = +25^\circ\text{C}$ (Note 3) |
|  | MCP13XX-55<br>(Note 6) |                        |       |       |       | (Note 6)                           |
| MCP13XX-56<br>(Note 6)                       |                        | 0.045                  | —     | 0.270 | V     | $T_A = +25^\circ\text{C}$ (Note 3) |
|  | MCP13XX-57<br>(Note 6) |                        |       |       |       | (Note 6)                           |
| MCP13XX-58<br>(Note 6)                       |                        | 0.046                  | —     | 0.276 | V     | $T_A = +25^\circ\text{C}$ (Note 3) |
|  | MCP13XX-59<br>(Note 6) |                        |       |       |       | (Note 6)                           |
| MCP13XX-60<br>(Note 6)                       |                        | 0.047                  | —     | 0.282 | V     | $T_A = +25^\circ\text{C}$ (Note 3) |
|  | MCP13XX-61<br>(Note 6) |                        |       |       |       | (Note 6)                           |

**Note 1:** Trip point is  $\pm 1.5\%$  from typical value.

**Note 2:** Trip point is  $\pm 2.5\%$  from typical value.

**Note 3:** Hysteresis is minimum = 1%, maximum = 6% at  $+25^\circ\text{C}$ .

**Note 4:** This specification allows this device to be used in PIC<sup>®</sup> microcontroller applications that require the In-Circuit Serial Programming<sup>™</sup> (ICSP<sup>™</sup>) feature (see device-specific programming specifications for voltage requirements). The total time that the RST pin can be above the maximum device operational voltage (5.5V) is 100s. Current into the RST pin should be limited to 2 mA. It is recommended that the device operational temperature be maintained between  $0^\circ\text{C}$  to  $+70^\circ\text{C}$  ( $+25^\circ\text{C}$  preferred). For additional information, refer to [Figure 2-35](#).

**Note 5:** This parameter is established by characterization and is not 100% tested.

**Note 6:** Custom ordered voltage trip point; minimum order volume requirement. Information available upon request.

# MCP131X/2X

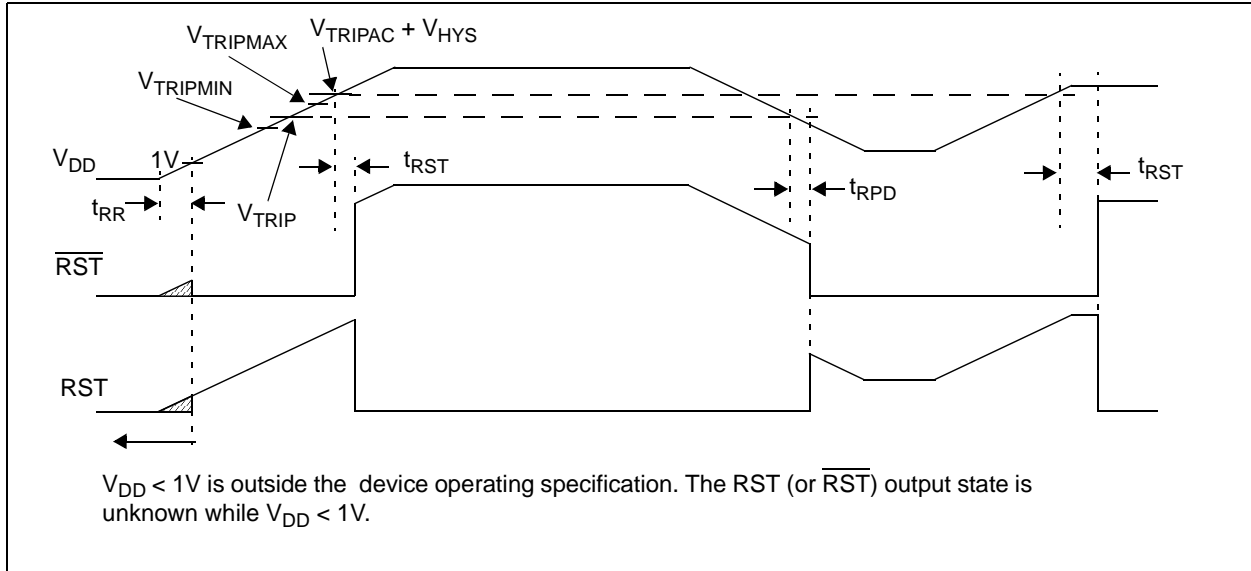
## DC CHARACTERISTICS (CONTINUED)

**Electrical Specifications:** Unless otherwise indicated, all limits are specified for  $V_{DD} = 1V$  to  $5.5V$ ,  $R_{PU} = 100\text{ k}\Omega$  (only **MCP1320**, **MCP1321** and **MCP1322**),  $T_A = -40^\circ\text{C}$  to  $+125^\circ\text{C}$ .

| Parameters  | Sym                         | Min            | Typ   | Max          | Units         | Conditions  |  |
|---|-----------------------------|----------------|-------|--------------|---------------|---|--|
| RST/ $\overline{\text{RST}}$ Low-Level Output Voltage   | $V_{OL}$                    | —              | —     | 0.3          | V             | $I_{OL} = 50\ \mu\text{A}$ , $1.0V \leq V_{DD} \leq 1.5V$   |  |
|   |                             | —              | —     | 0.3          | V             | $I_{OL} = 100\ \mu\text{A}$ , $1.5V < V_{DD} \leq 2.5V$   |  |
|   |                             | —              | —     | 0.3          | V             | $I_{OL} = 2\ \text{mA}$ , $2.5V < V_{DD} \leq 4.5V$   |  |
|   |                             | —              | —     | 0.3          | V             | $I_{OL} = 4\ \text{mA}$ , $V_{DD} > 4.5V$   |  |
| RST/ $\overline{\text{RST}}$ High-Level Output Voltage<br>(Push-Pull Outputs only)  | $V_{OH}$                    | $V_{DD} - 0.7$ | —     | —            | V             | $I_{OH} = 2.5\ \text{mA}$ , $V_{DD} \geq 2.5V$  |  |
|   |                             | $V_{DD} - 0.7$ | —     | —            | V             | $I_{OH} = 500\ \mu\text{A}$ , $V_{DD} \geq 1.5V$  |  |
| Input Low Voltage ( $\overline{\text{MR}}$ and WDI pins)  | $V_{IL}$                    | $V_{SS}$       | —     | $0.3V_{DD}$  | V             |   |  |
| Input High Voltage ( $\overline{\text{MR}}$ and WDI pins)   | $V_{IH}$                    | $0.7V_{DD}$    | —     | $V_{DD}$     | V             |   |  |
| Open-Drain High Voltage on Output<br>( <b>Note 4</b> )  | $V_{ODH}$                   | —              | —     | $13.5^{(4)}$ | V             | Open-Drain Output pin only, $V_{DD} = 3.0V$ , Time voltage $> 5.5V$ applied $\leq 100\ \text{s}$ , current into pin limited to $2\ \text{mA}$ , $+25^\circ\text{C}$ operation recommended ( <b>Note 4</b> , <b>Note 5</b> ) |  |
| Input Leakage Current ( $\overline{\text{MR}}$ and WDI)   | $I_{IL}$                    | —              | —     | $\pm 1$      | $\mu\text{A}$ | $V_{SS} \leq V_{PIN} \leq V_{DD}$   |  |
| Open-Drain Output Leakage Current<br>( <b>MCP1316M</b> , <b>MCP1318M</b> , <b>MCP1319M</b> , <b>MCP1320</b> , <b>MCP1321</b> , and <b>MCP1322</b> only) | $I_{OD}$                    | —              | 0.003 | 1.0          | $\mu\text{A}$ |   |  |
| Pull-up Resistance  | $\overline{\text{MR}}$ pin  | $R_{PU}$       | —     | 52           | —             | $\text{k}\Omega$  | $V_{DD} = 5.5V$                                |
|   | WDI pin                     |                | —     | 52           | —             | $\text{k}\Omega$  | $V_{DD} = 5.5V$                                |
|   | $\overline{\text{RST}}$ pin |                | —     | 4.7          | —             | $\text{k}\Omega$  | $V_{DD} = 5.5V$ , <b>MCP131XM</b> devices only |
| Input Pin Capacitance ( $\overline{\text{MR}}$ and WDI)   | $C_I$                       | —              | 100   | —            | pF            |   |  |
| Output Pin Capacitive Loading<br>(RST and $\overline{\text{RST}}$ )   | $C_O$                       | —              | —     | 50           | pF            | This is the tester loading to meet the AC timing specifications.  |  |

- Note 1:** Trip point is  $\pm 1.5\%$  from typical value.  
**Note 2:** Trip point is  $\pm 2.5\%$  from typical value.  
**Note 3:** Hysteresis is minimum =  $1\%$ , maximum =  $6\%$  at  $+25^\circ\text{C}$ .  
**Note 4:** This specification allows this device to be used in PIC<sup>®</sup> microcontroller applications that require the In-Circuit Serial Programming<sup>™</sup> (ICSP<sup>™</sup>) feature (see device-specific programming specifications for voltage requirements). The total time that the  $\overline{\text{RST}}$  pin can be above the maximum device operational voltage ( $5.5V$ ) is  $100\text{s}$ . Current into the  $\overline{\text{RST}}$  pin should be limited to  $2\ \text{mA}$ . It is recommended that the device operational temperature be maintained between  $0^\circ\text{C}$  to  $+70^\circ\text{C}$  ( $+25^\circ\text{C}$  preferred). For additional information, refer to [Figure 2-35](#).  
**Note 5:** This parameter is established by characterization and is not  $100\%$  tested.  
**Note 6:** Custom ordered voltage trip point; minimum order volume requirement. Information available upon request.





**FIGURE 1-1:** Device Voltage and Reset Pin Waveforms.

**TABLE 1-1: DEVICE VOLTAGE AND RESET PIN TIMINGS**

**Electrical Specifications:** Unless otherwise indicated, all limits are specified for  $V_{DD} = 1V$  to  $5.5V$ ,  $R_{PU} = 100\text{ k}\Omega$  (only **MCP1320**, **MCP1321**, and **MCP1322**),  $T_A = -40^\circ\text{C}$  to  $+125^\circ\text{C}$ .

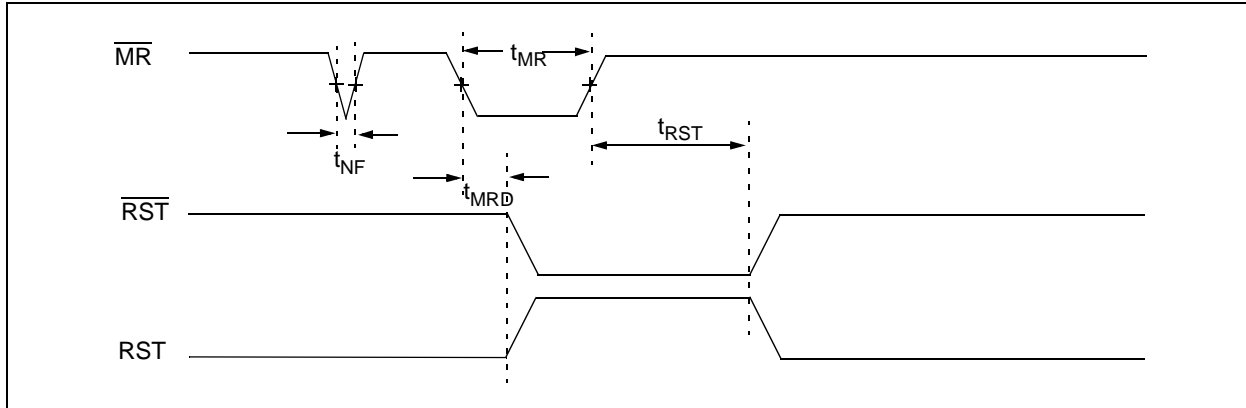
| Parameters  | Sym       | Min           | Typ  | Max  | Units         | Conditions   |
|---|-----------|---------------|------|------|---------------|--|
| Falling $V_{DD}$ Trip Point Detected to RST or RST Active                                 | $t_{RPD}$ | —             | 650  | —    | $\mu\text{s}$ | $V_{DD}$ ramped from $V_{TRIPMAX} + 250\text{ mV}$ down to $V_{TRIPMIN} - 200\text{ mV}$ , $V_{DD}$ falling @ $5\text{ mV}/\mu\text{s}$ , $C_L = 50\text{ pF}$ ( <b>Note 1</b> ) |
| $V_{DD}$ Rise Rate  | $t_{RR}$  | <b>Note 3</b> |      |      |               |  |
| Reset active time (MR Rising Edge, POR/BOR Inactive, or WDT time out) to RST/RST Inactive | $t_{RST}$ | 1.0           | 1.4  | 2.0  | ms            | <b>Note 2</b>  |
|   |           | 20            | 30   | 40   | ms            | <b>Note 2</b>  |
|   |           | 140           | 200  | 280  | ms            | Standard Time Out  |
|   |           | 1120          | 1600 | 2240 | ms            | <b>Note 2</b>  |
| RST Rise Time after RST Active ( <b>Push-Pull Outputs only</b> )                          | $t_{RT}$  | —             | 5    | —    | $\mu\text{s}$ | For RST 10% to 90% of $V_{DD}$ , $C_L = 50\text{ pF}$ ( <b>Note 1</b> )  |
| RST Rise Time after RST Inactive ( <b>Push-Pull Outputs only</b> )                        |           | —             | 5    | —    | $\mu\text{s}$ | For RST 10% to 90% of $V_{DD}$ , $C_L = 50\text{ pF}$ ( <b>Note 1</b> )  |
| RST Fall Time after RST Inactive  | $t_{FT}$  | —             | 5    | —    | $\mu\text{s}$ | For RST 90% to 10% of $V_{DD}$ , $C_L = 50\text{ pF}$ ( <b>Note 1</b> )  |
| RST Fall Time after RST Active  |           | —             | 5    | —    | $\mu\text{s}$ | For RST 90% to 10% of $V_{DD}$ , $C_L = 50\text{ pF}$ ( <b>Note 1</b> )  |

**Note 1:** These parameters are for design guidance only and are not 100% tested.

**2:** Custom ordered Reset active time; minimum order volume requirement.

**3:** Designed to be independent of  $V_{DD}$  rise rate. Device characterization was done with a rise rate as slow as  $0.1\text{ V/s}$  (@  $+25^\circ\text{C}$ ).

# MCP131X/2X



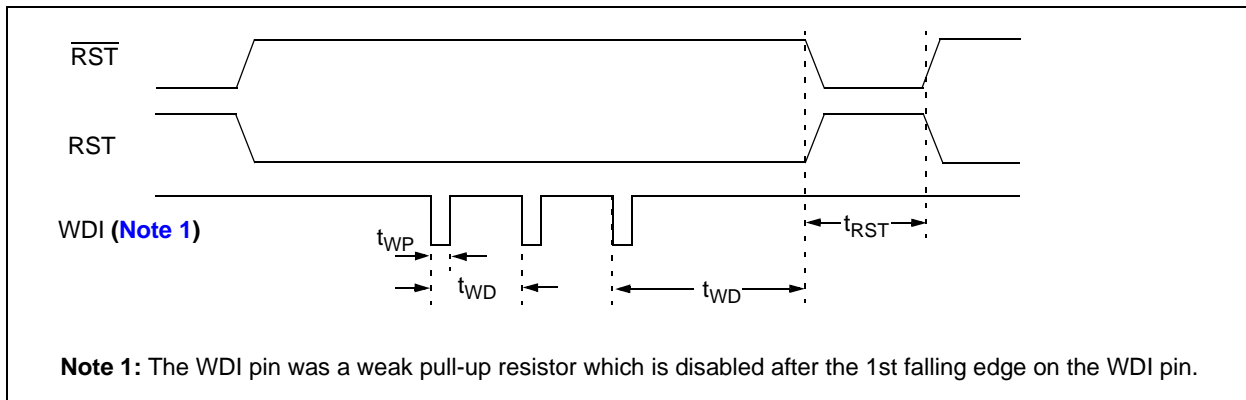
**FIGURE 1-2:**  $\overline{MR}$  and Reset Pin Waveforms.

**TABLE 1-2:**  $\overline{MR}$  AND RESET PIN TIMINGS

**Electrical Specifications:** Unless otherwise indicated, all limits are specified for  $V_{DD} = 1V$  to  $5.5V$ ,  $R_{PU} = 100\text{ k}\Omega$  (only **MCP1320**, **MCP1321**, and **MCP1322**),  $T_A = -40^\circ\text{C}$  to  $+125^\circ\text{C}$ .

| Parameters   | Sym       | Min | Typ | Max | Units         | Conditions      |
|--|-----------|-----|-----|-----|---------------|-----------------|
| MR Pulse Width   | $t_{MR}$  | 1   | —   | —   | $\mu\text{s}$ |                 |
| $\overline{MR}$ Active to RST/ $\overline{RST}$ Active | $t_{MRD}$ | —   | 235 | —   | ns            | $V_{DD} = 5.0V$ |
| $\overline{MR}$ Input Noise filter                     | $t_{NF}$  | —   | 150 | —   | ns            | $V_{DD} = 5.0V$ |

**Note 1:** These parameters are for design guidance only and are not 100% tested.



**Note 1:** The WDI pin was a weak pull-up resistor which is disabled after the 1st falling edge on the WDI pin.

**FIGURE 1-3:** WDI and Reset Pin Waveforms.

**TABLE 1-3:** WDI AND RESET PIN TIMINGS

**Electrical Specifications:** Unless otherwise indicated, all limits are specified for  $V_{DD} = 1V$  to  $5.5V$ ,  $R_{PU} = 100\text{ k}\Omega$  (only **MCP1320**, **MCP1321**, and **MCP1322**),  $T_A = -40^\circ\text{C}$  to  $+125^\circ\text{C}$ .

| Parameters               | Sym      | Min  | Typ  | Max  | Units | Conditions        |
|--------------------------|----------|------|------|------|-------|-------------------|
| WDI Pulse Width          | $t_{WP}$ | 50   | —    | —    | ns    |                   |
| Watchdog Time-Out Period | $t_{WD}$ | 4.3  | 6.3  | 9.3  | ms    | <b>Note 1</b>     |
|                          |          | 71   | 102  | 153  | ms    | <b>Note 1</b>     |
|                          |          | 1.12 | 1.6  | 2.4  | sec   | Standard Time Out |
|                          |          | 17.9 | 25.6 | 38.4 | sec   | <b>Note 1</b>     |

**Note 1:** Custom ordered WatchDog Timer time out; minimum order volume requirement.

## TEMPERATURE CHARACTERISTICS

**Electrical Specifications:** Unless otherwise noted, all limits are specified for  $V_{DD} = 1V$  to  $5.5V$ ,  $R_{PU} = 100\text{ k}\Omega$  (only **MCP1316**),  $T_A = -40^\circ\text{C}$  to  $+125^\circ\text{C}$ .

| Parameters                         | Sym           | Min | Typ   | Max  | Units                     | Conditions                          |
|------------------------------------|---------------|-----|-------|------|---------------------------|-------------------------------------|
| <b>Temperature Ranges</b>          |               |     |       |      |                           |                                     |
| Specified Temperature Range        | $T_A$         | -40 | —     | +85  | $^\circ\text{C}$          | <b>MCP13XX-25</b> (or below)        |
| Specified Temperature Range        | $T_A$         | -40 | —     | +125 | $^\circ\text{C}$          | Except <b>MCP13XX-25</b> (or below) |
| Maximum Junction Temperature       | $T_J$         | —   | —     | +150 | $^\circ\text{C}$          |                                     |
| Storage Temperature Range          | $T_A$         | -65 | —     | +150 | $^\circ\text{C}$          |                                     |
| <b>Package Thermal Resistances</b> |               |     |       |      |                           |                                     |
| Thermal Resistance, 5L-SOT-23      | $\theta_{JA}$ | —   | 220.7 | —    | $^\circ\text{C}/\text{W}$ |                                     |

# MCP131X/2X

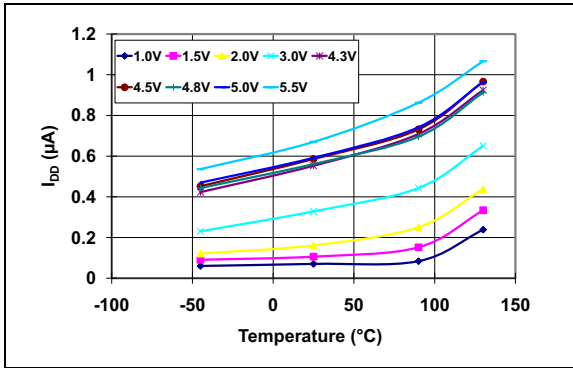
---

NOTES:

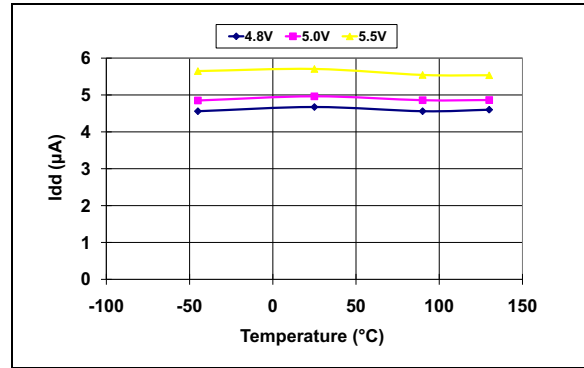
## 2.0 TYPICAL PERFORMANCE CURVES

**Note:** The graphs and tables provided following this note are a statistical summary based on a limited number of samples and are provided for informational purposes only. The performance characteristics listed herein are not tested or guaranteed. In some graphs or tables, the data presented may be outside the specified operating range (e.g., outside specified power supply range) and therefore outside the warranted range.

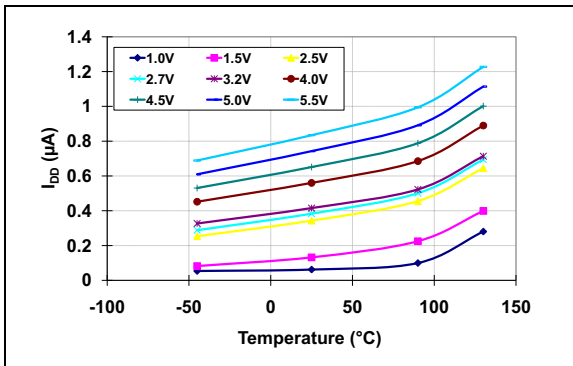
**Note:** Unless otherwise indicated, all limits are specified for  $V_{DD} = 1V$  to  $5.5V$ ,  $R_{PU} = 100\text{ k}\Omega$  (only **MCP1316**; see **Figure 4-1**),  $T_A = -40^\circ\text{C}$  to  $+125^\circ\text{C}$ .



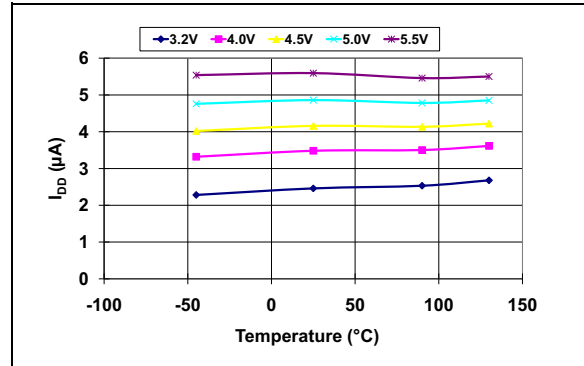
**FIGURE 2-1:**  $I_{DD}$  vs. Temperature (Reset Power-up Timer Inactive and Watchdog Timer Inactive) (MCP1318M-4.6).



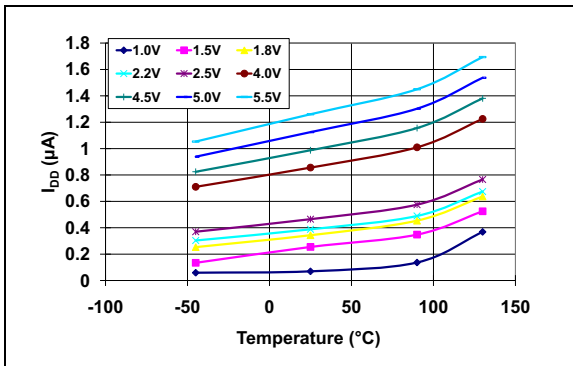
**FIGURE 2-4:**  $I_{DD}$  vs. Temperature (Reset Power-up Timer Active) (MCP1318M-4.6).



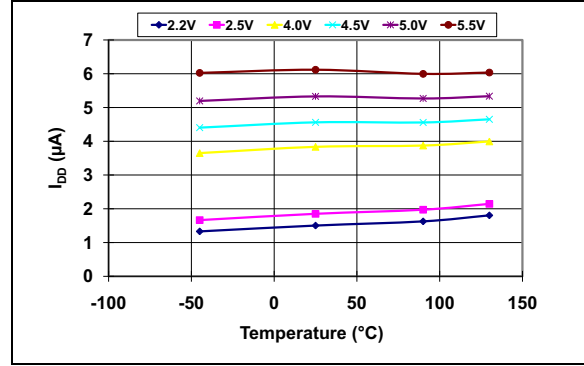
**FIGURE 2-2:**  $I_{DD}$  vs. Temperature (Reset Power-up Timer Inactive and Watchdog Timer Inactive) (MCP1319-2.9).



**FIGURE 2-5:**  $I_{DD}$  vs. Temperature (Reset Power-up Timer Active) (MCP1319-2.9).



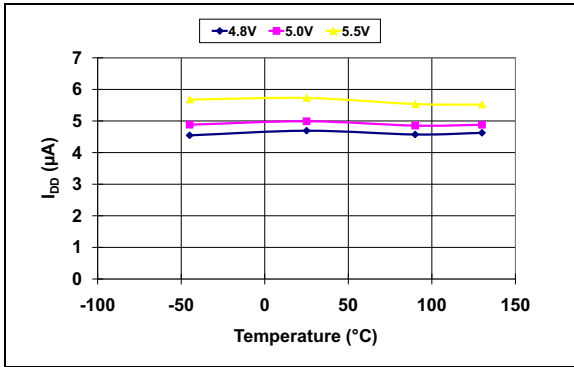
**FIGURE 2-3:**  $I_{DD}$  vs. Temperature (Reset Power-up Timer Inactive and Watchdog Timer Inactive) (MCP1316-2.0).



**FIGURE 2-6:**  $I_{DD}$  vs. Temperature (Reset Power-up Timer Active) (MCP1316-2.0).

# MCP131X/2X

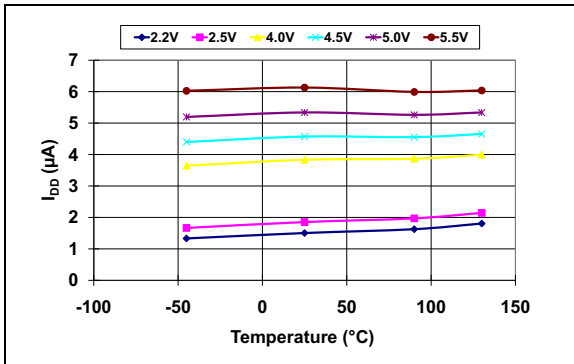
**Note:** Unless otherwise indicated, all limits are specified for  $V_{DD} = 1V$  to  $5.5V$ ,  $R_{PU} = 100\text{ k}\Omega$  (only **MCP1316**; see **Figure 4-1**),  $T_A = -40^\circ\text{C}$  to  $+125^\circ\text{C}$ .



**FIGURE 2-7:**  $I_{DD}$  vs. Temperature (Watchdog Timer Active) (**MCP1318M-4.6**).

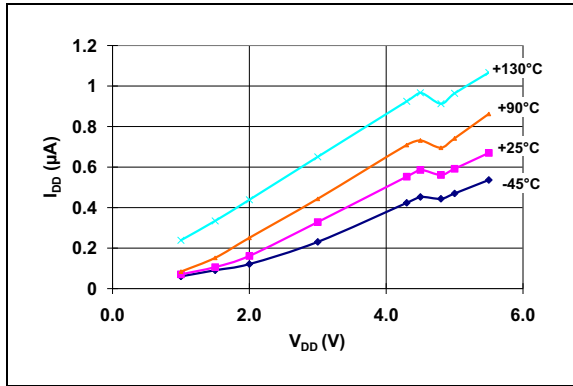
**MCP1319 does not have a Watchdog Timer**

**FIGURE 2-8:**  $I_{DD}$  vs. Temperature (Watchdog Timer Active) (**MCP1319-2.9**).

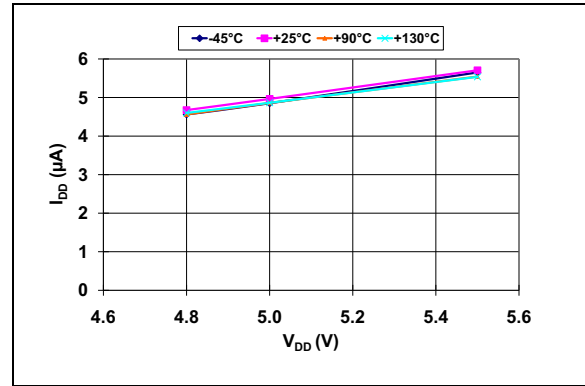


**FIGURE 2-9:**  $I_{DD}$  vs. Temperature (Watchdog Timer Active) (**MCP1316-2.0**).

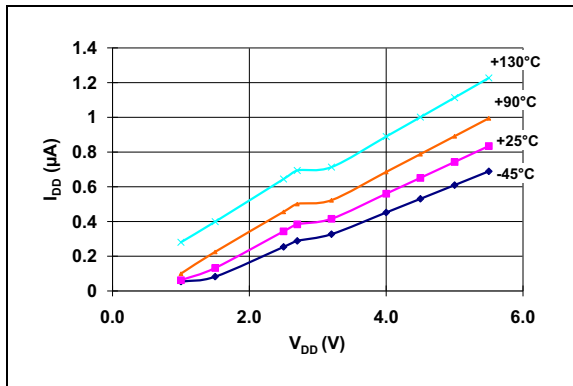
**Note:** Unless otherwise indicated, all limits are specified for  $V_{DD} = 1V$  to  $5.5V$ ,  $R_{PU} = 100\text{ k}\Omega$  (only **MCP1316**; see [Figure 4-1](#)),  $T_A = -40^\circ\text{C}$  to  $+125^\circ\text{C}$ .



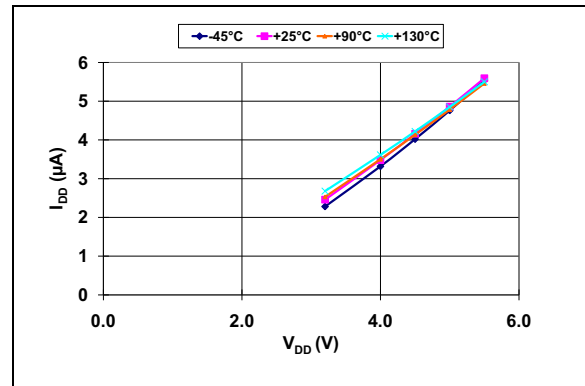
**FIGURE 2-10:**  $I_{DD}$  vs.  $V_{DD}$  (Reset Power-up Timer Inactive and Watchdog Timer Inactive) (**MCP1318M-4.6**).



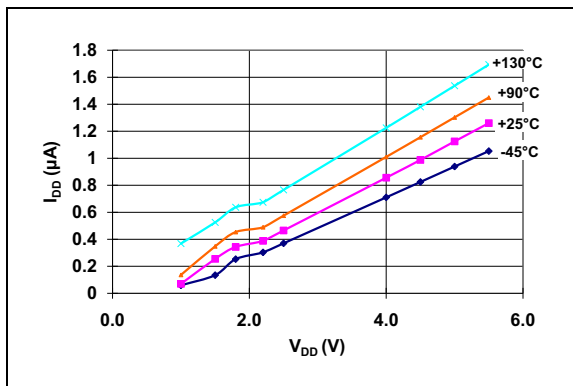
**FIGURE 2-13:**  $I_{DD}$  vs.  $V_{DD}$  (Reset Power-up Timer Active or Watchdog Timer Active) (**MCP1318M-4.6**).



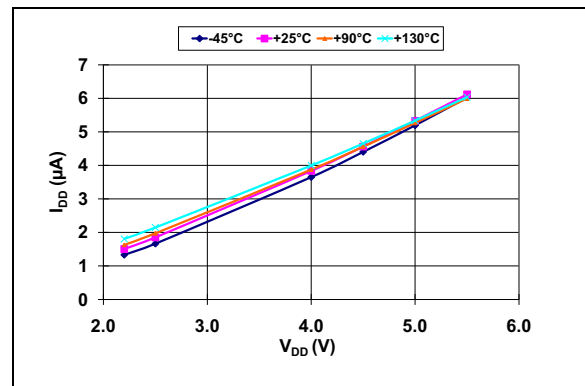
**FIGURE 2-11:**  $I_{DD}$  vs.  $V_{DD}$  (Reset Power-up Timer Inactive and Watchdog Timer Inactive) (**MCP1319-2.9**).



**FIGURE 2-14:**  $I_{DD}$  vs.  $V_{DD}$  (Reset Power-up Timer Active or Watchdog Timer Active) (**MCP1319-2.9**).



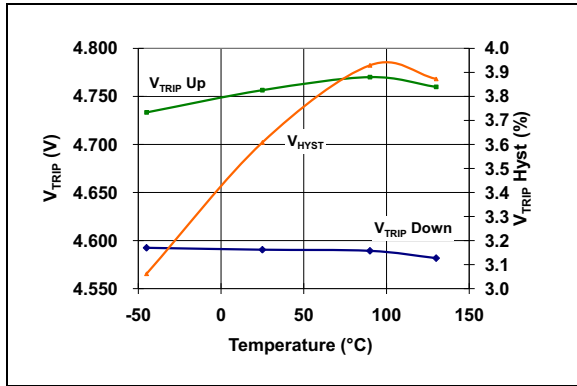
**FIGURE 2-12:**  $I_{DD}$  vs.  $V_{DD}$  (Reset Power-up Timer Inactive and Watchdog Timer Inactive) (**MCP1316-2.0**).



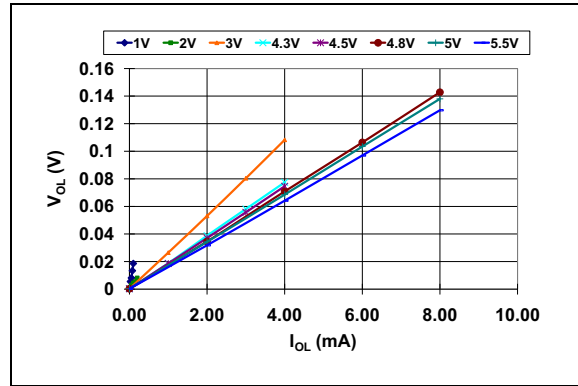
**FIGURE 2-15:**  $I_{DD}$  vs.  $V_{DD}$  (Reset Power-up Timer Active or Watchdog Timer Active) (**MCP1316-2.0**).

# MCP131X/2X

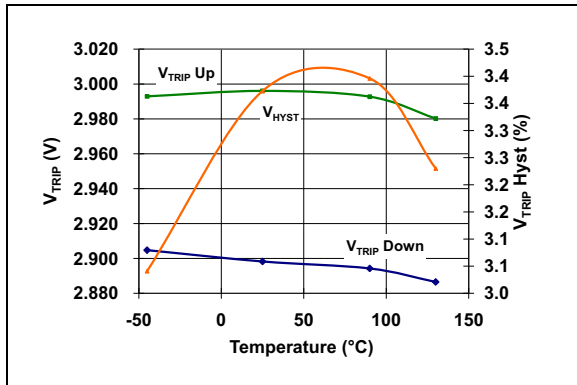
**Note:** Unless otherwise indicated, all limits are specified for  $V_{DD} = 1V$  to  $5.5V$ ,  $R_{PU} = 100\text{ k}\Omega$  (only MCP1316; see Figure 4-1),  $T_A = -40^\circ\text{C}$  to  $+125^\circ\text{C}$ .



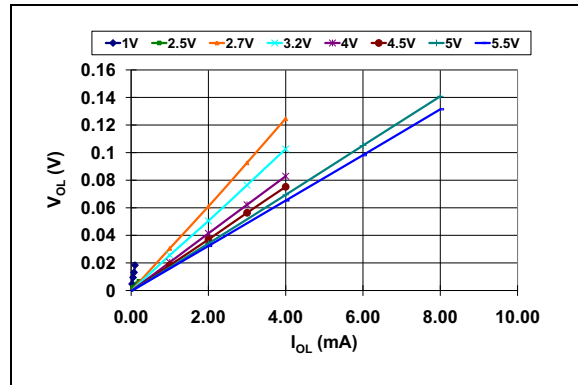
**FIGURE 2-16:**  $V_{TRIP}$  and  $V_{HYST}$  vs. Temperature (MCP1318M-4.6).



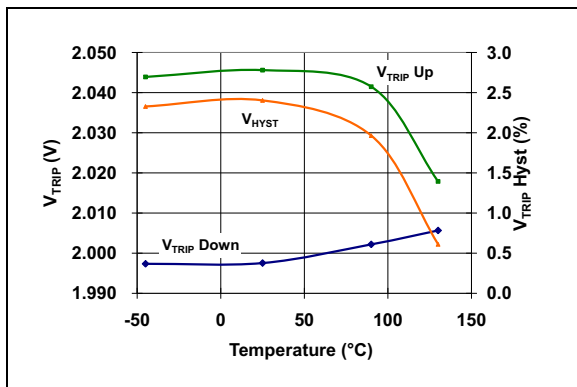
**FIGURE 2-19:**  $V_{OL}$  vs.  $I_{OL}$  (MCP1318M-4.6).



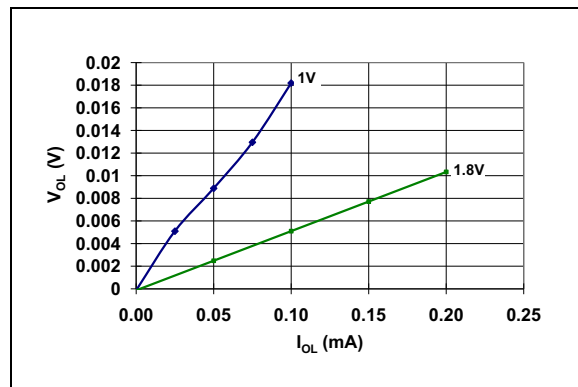
**FIGURE 2-17:**  $V_{TRIP}$  and  $V_{HYST}$  vs. Temperature (MCP1319-2.9).



**FIGURE 2-20:**  $V_{OL}$  vs.  $I_{OL}$  (MCP1319-2.9).



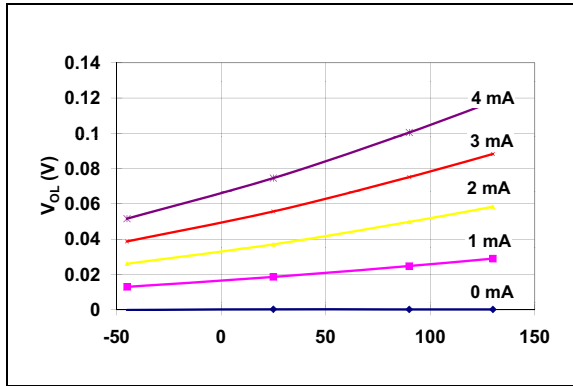
**FIGURE 2-18:**  $V_{TRIP}$  and  $V_{HYST}$  vs. Temperature (MCP1316-2.0).



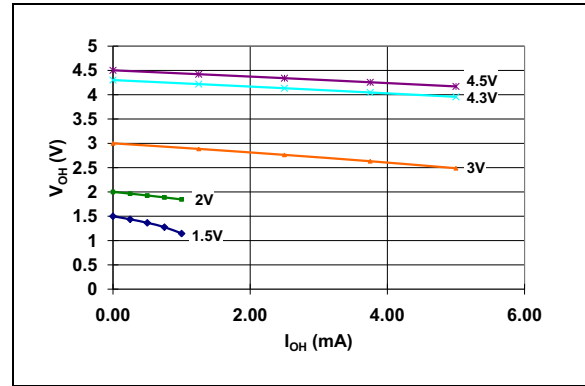
**FIGURE 2-21:**  $V_{OL}$  vs.  $I_{OL}$  (MCP1316-2.0).



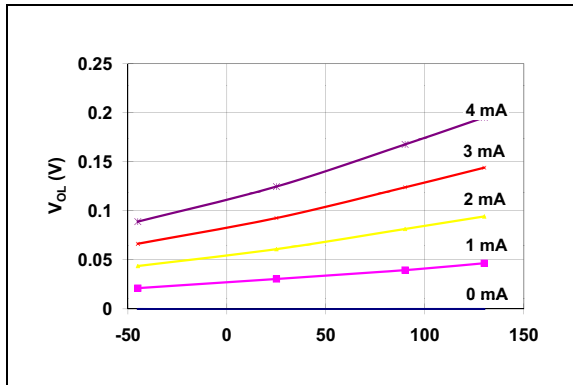
**Note:** Unless otherwise indicated, all limits are specified for  $V_{DD} = 1V$  to  $5.5V$ ,  $R_{PU} = 100\text{ k}\Omega$  (only MCP1316; see [Figure 4-1](#)),  $T_A = -40^\circ\text{C}$  to  $+125^\circ\text{C}$ .



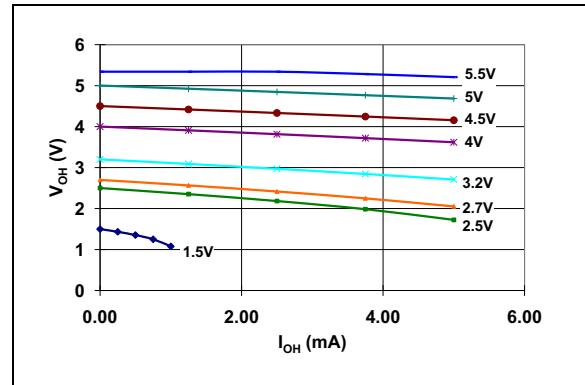
**FIGURE 2-22:**  $V_{OL}$  vs. Temperature (MCP1318M-4.6 @  $V_{DD} = 4.5V$ ).



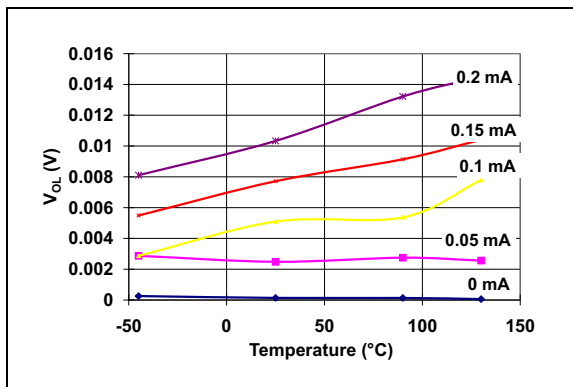
**FIGURE 2-25:**  $V_{OH}$  vs.  $I_{OH}$  (MCP1318M-4.6 @  $+25^\circ\text{C}$ ).



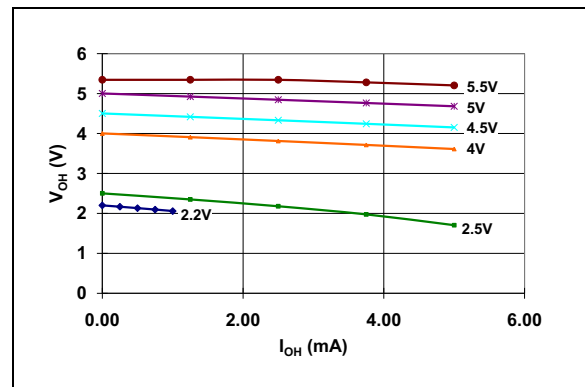
**FIGURE 2-23:**  $V_{OL}$  vs. Temperature (MCP1319-2.9 @  $V_{DD} = 2.7V$ ).



**FIGURE 2-26:**  $V_{OH}$  vs.  $I_{OH}$  (MCP1319-2.9 @  $+25^\circ\text{C}$ ).



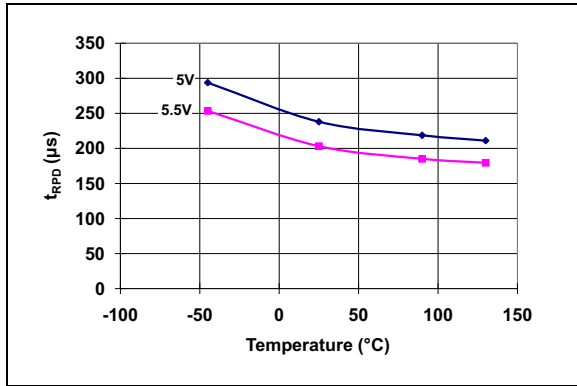
**FIGURE 2-24:**  $V_{OL}$  vs. Temperature (MCP1316-2-0 @  $V_{DD} = 1.8V$ ).



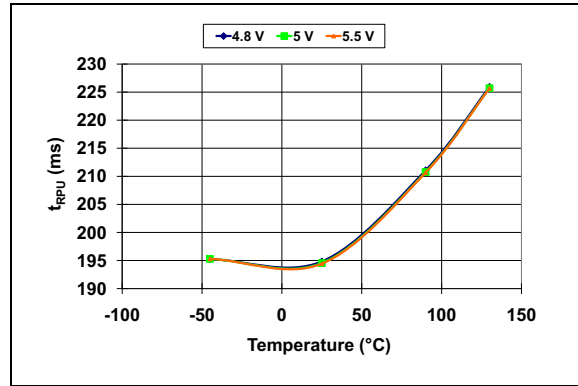
**FIGURE 2-27:**  $V_{OH}$  vs.  $I_{OH}$  (MCP1316-2.0 @  $+25^\circ\text{C}$ ).

# MCP131X/2X

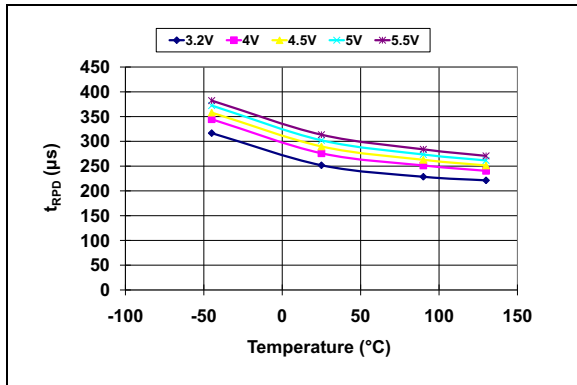
**Note:** Unless otherwise indicated, all limits are specified for  $V_{DD} = 1V$  to  $5.5V$ ,  $R_{PU} = 100\text{ k}\Omega$  (only MCP1316; see Figure 4-1),  $T_A = -40^\circ\text{C}$  to  $+125^\circ\text{C}$ .



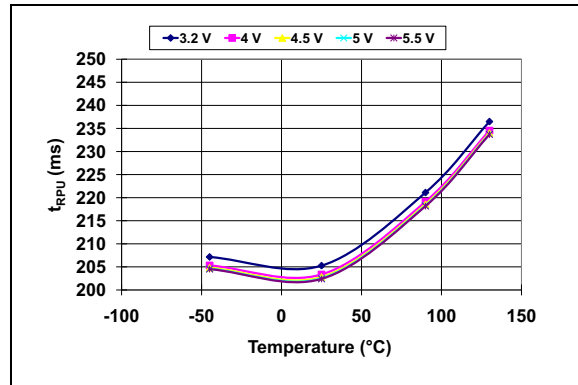
**FIGURE 2-28:**  $t_{RPD}$  vs. Temperature (MCP1318M-4.6).



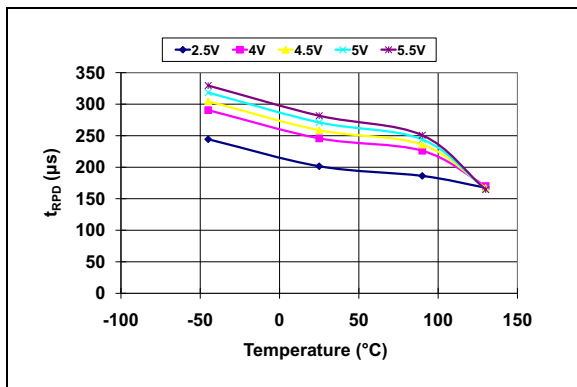
**FIGURE 2-31:**  $t_{RPU}$  vs. Temperature (MCP1318M-4.6).



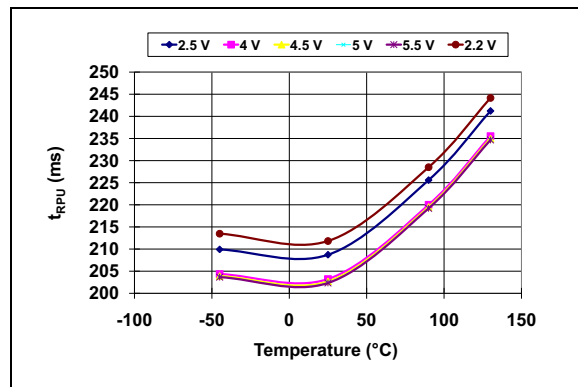
**FIGURE 2-29:**  $t_{RPD}$  vs. Temperature (MCP1319-2.9).



**FIGURE 2-32:**  $t_{RPU}$  vs. Temperature (MCP1319-2.9).

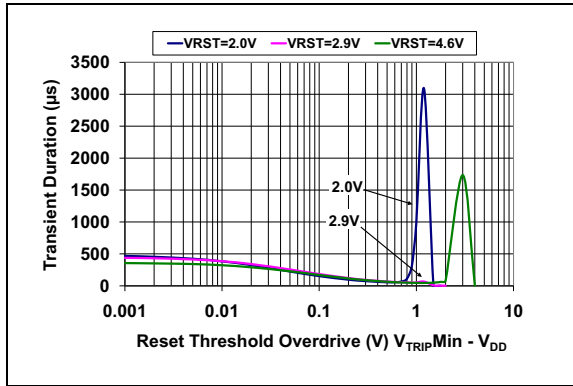


**FIGURE 2-30:**  $t_{RPD}$  vs. Temperature (MCP1316-2.0).

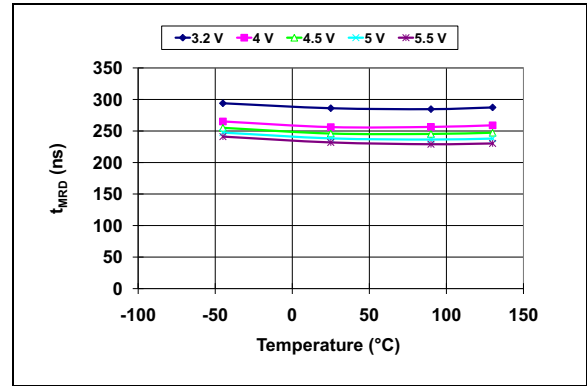


**FIGURE 2-33:**  $t_{RPU}$  vs. Temperature (MCP1316-2.0).

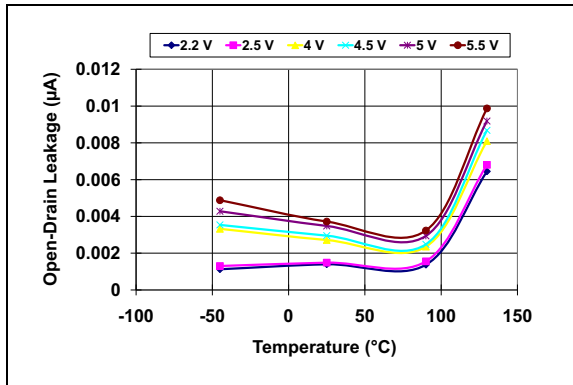
**Note:** Unless otherwise indicated, all limits are specified for  $V_{DD} = 1V$  to  $5.5V$ ,  $R_{PU} = 100\text{ k}\Omega$  (only MCP1316; see Figure 4-1),  $T_A = -40^\circ\text{C}$  to  $+125^\circ\text{C}$ .



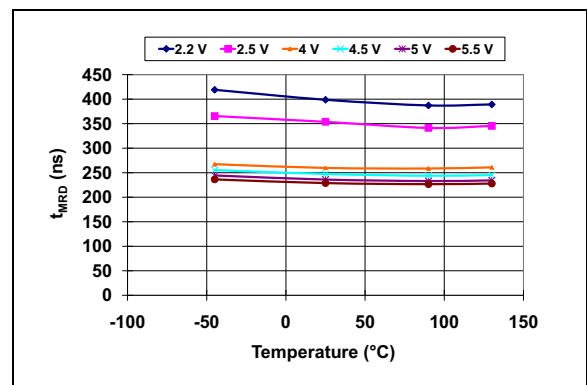
**FIGURE 2-34:** Transient Duration vs.  $V_{TRIP}(\min) - V_{DD}$ .



**FIGURE 2-37:**  $\overline{MR}$  Low to Reset Propagation Delay (MCP1319-2.9).



**FIGURE 2-35:** Open-Drain Leakage Current vs. Temperature (MCP1320-2.0).



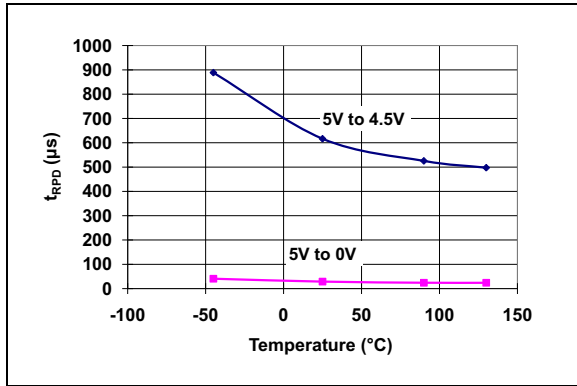
**FIGURE 2-38:**  $\overline{MR}$  Low to Reset Propagation Delay (MCP1316-2.0).

**MCP1318M does not have an  $\overline{MR}$  pin**

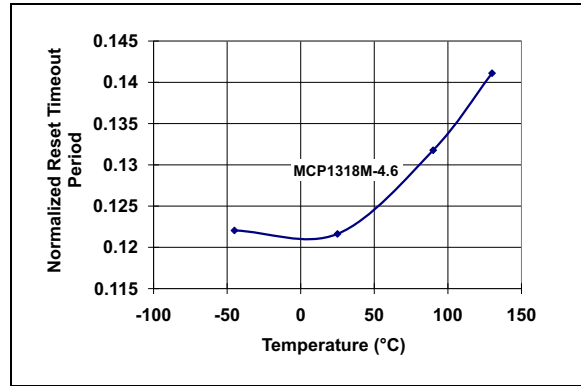
**FIGURE 2-36:**  $\overline{MR}$  Low to Reset Propagation Delay (MCP1318M-4.6).

# MCP131X/2X

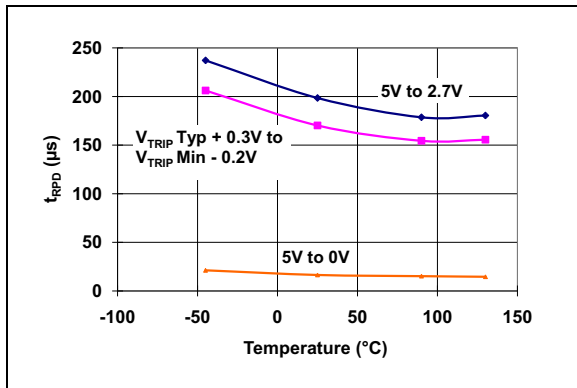
**Note:** Unless otherwise indicated, all limits are specified for  $V_{DD} = 1V$  to  $5.5V$ ,  $R_{PU} = 100\text{ k}\Omega$  (only MCP1316; see Figure 4-1),  $T_A = -40^\circ\text{C}$  to  $+125^\circ\text{C}$ .



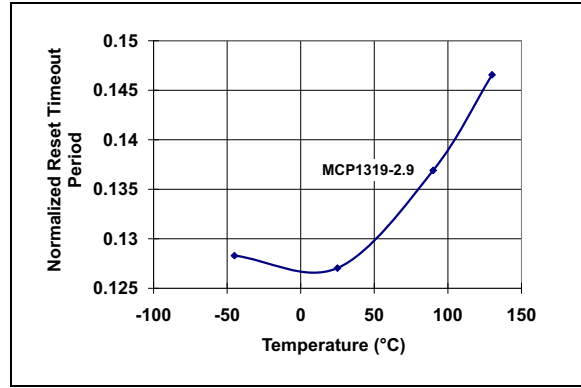
**FIGURE 2-39:**  $V_{DD}$  Falling to Reset Propagation Delay vs. Temperature (MCP1318M-4.6).



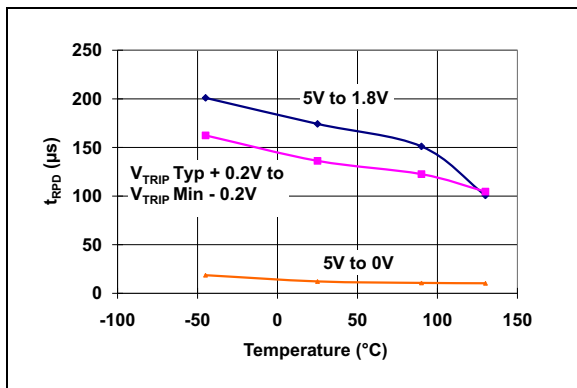
**FIGURE 2-42:** Normalized Reset Time-Out Period vs. Temperature (MCP1318M-4.6).



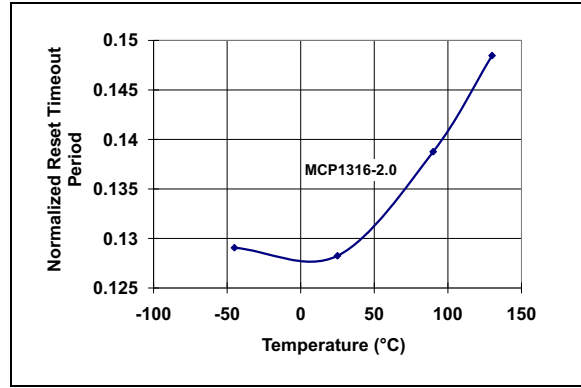
**FIGURE 2-40:**  $V_{DD}$  Falling to Reset Propagation Delay vs. Temperature (MCP1319-2.9).



**FIGURE 2-43:** Normalized Reset Time-Out Period vs. Temperature (MCP1319-2.9).

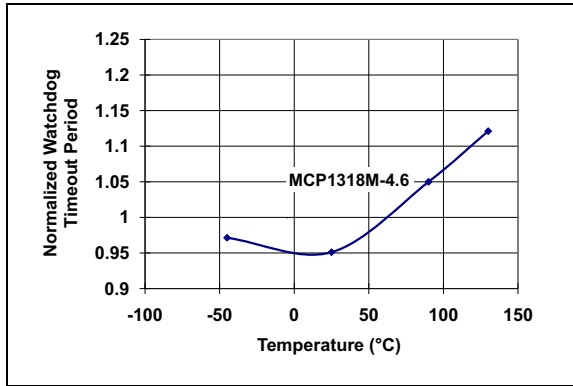


**FIGURE 2-41:**  $V_{DD}$  Falling to Reset Propagation Delay vs. Temperature (MCP1316-2.0).

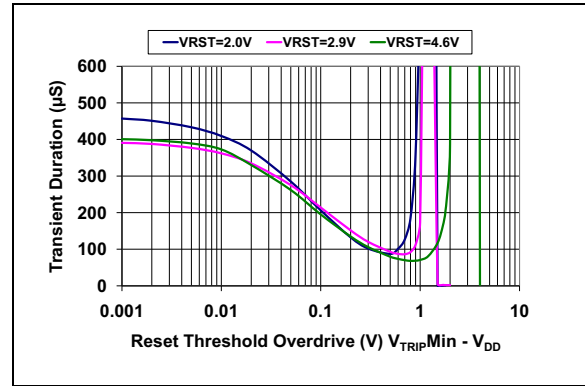


**FIGURE 2-44:** Normalized Reset Time-Out Period vs. Temperature (MCP1316-2.0).

**Note:** Unless otherwise indicated, all limits are specified for  $V_{DD} = 1V$  to  $5.5V$ ,  $R_{PU} = 100\text{ k}\Omega$  (only MCP1316; see [Figure 4-1](#)),  $T_A = -40^\circ\text{C}$  to  $+125^\circ\text{C}$ .



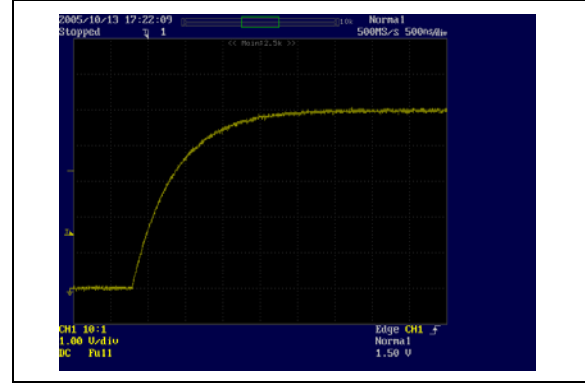
**FIGURE 2-45:** Normalized Watchdog Time-Out Period vs. Temperature (MCP1318M-4.6).



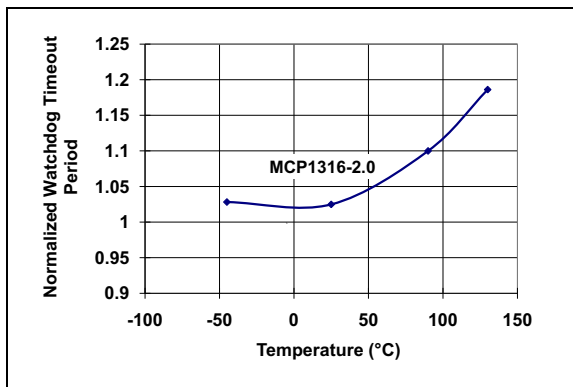
**FIGURE 2-48:** Max  $V_{DD}$  Transient Duration vs. Reset Threshold Overdrive.

**MCP1319 does not  
have a Watchdog Timer**

**FIGURE 2-46:** Normalized Watchdog Time-Out Period vs. Temperature (MCP1319-2.9).



**FIGURE 2-49:** "M" Part Number Pull-up Characteristics (MCP1318M-4.6).



**FIGURE 2-47:** Normalized Watchdog Time-Out Period vs. Temperature (MCP1316-2.0).

# MCP131X/2X

---

NOTES:

## 3.0 PIN DESCRIPTION

The descriptions of the pins are listed in [Table 3-1](#).

**TABLE 3-1: PIN FUNCTION TABLE**

| Pin No. | Device   | Symbol                  | Pin Type | Buffer/Driver Type | Function   |
|---------|--|-------------------------|----------|--------------------|--|
| 1       | MCP1316M <sup>(1)</sup> ,<br>MCP1318M <sup>(1)</sup> ,<br>MCP1319M <sup>(1)</sup> ,<br>MCP1320,<br>MCP1321,<br>MCP1322 | $\overline{\text{RST}}$ | O        | Open-Drain         | Reset Output (active-low)<br>Goes active (Low) if one of these conditions occurs: <ol style="list-style-type: none"> <li>1. If <math>V_{DD}</math> falls below the selected Reset voltage threshold.</li> <li>2. If the <math>\overline{\text{MR}}</math> pin is forced low.</li> <li>3. If the WDI pin does not detect an edge transition within the minimum selected time-out period.</li> <li>4. During power-up.</li> </ol><br><b><math>V_{DD}</math> Falling:</b><br>Open-Drain = $V_{DD} > V_{TRIP}$<br>L = $V_{DD} < V_{TRIP}$<br><b><math>V_{DD}</math> Rising:</b><br>Open-Drain = $V_{DD} > V_{TRIP} + V_{HYS}$<br>L = $V_{DD} < V_{TRIP} + V_{HYS}$ |
|         | MCP1316,<br>MCP1318,<br>MCP1319  |                         | O        | Push-Pull          | <b><math>V_{DD}</math> Falling:</b><br>H = $V_{DD} > V_{TRIP}$<br>L = $V_{DD} < V_{TRIP}$<br><b><math>V_{DD}</math> Rising:</b><br>H = $V_{DD} > V_{TRIP} + V_{HYS}$<br>L = $V_{DD} < V_{TRIP} + V_{HYS}$  |
|         | MCP1317  | RST                     | O        | Push-Pull          | Reset Output (active-high)<br>Goes active (High) if one of these conditions occurs: <ol style="list-style-type: none"> <li>1. If <math>V_{DD}</math> falls below the selected Reset voltage threshold.</li> <li>2. If the <math>\overline{\text{MR}}</math> pin is forced low.</li> <li>3. If the WDI pin does not detect an edge transition within the minimum selected time-out period.</li> <li>4. During power-up.</li> </ol><br><b><math>V_{DD}</math> Falling:</b><br>H = $V_{DD} < V_{TRIP}$<br>L = $V_{DD} > V_{TRIP}$<br><b><math>V_{DD}</math> Rising:</b><br>H = $V_{DD} < V_{TRIP} + V_{HYS}$<br>L = $V_{DD} > V_{TRIP} + V_{HYS}$                 |
| 2       | All  | $V_{SS}$                | —        | P                  | The ground reference for the device.   |

**Note 1:** Open-Drain output with internal pull-up resistor.

# MCP131X/2X

TABLE 3-1: PIN FUNCTION TABLE (CONTINUED)

| Pin No. | Device  | Symbol                 | Pin Type | Buffer/Driver Type | Function   |
|---------|---|------------------------|----------|--------------------|--|
| SOT23-5 |   |                        |          |                    |  |
| 3       | MCP1316,<br>MCP1316M,<br>MCP1317,<br>MCP1320                                      | $\overline{\text{MR}}$ | I        | ST                 | Manual Reset input for a Reset switch.<br>This input allows a push button switch to be directly connected to the MCP131X/2X $\overline{\text{MR}}$ pin, which can then be used to force a system Reset. This input filters (ignores) noise pulses that occur on the $\overline{\text{MR}}$ pin.<br>L = Switch is depressed (shorted to ground). This forces the RST/RST pins Active.<br>H = Switch is open (internal pull-up resistor pulls signal high). State of the RST/RST pins determined by other system conditions.   |
|         | MCP1318,<br>MCP1318M,<br>MCP1319,<br>MCP1319M,<br>MCP1321,<br>MCP1322             | RST                    | O        | Push-Pull          | Reset Output (active-high)<br>Goes active (High) if one of these conditions occurs:<br>1. If $V_{\text{DD}}$ falls below the selected Reset voltage threshold.<br>2. If the $\overline{\text{MR}}$ pin is forced low.<br>3. If the WDI pin does not detect an edge transition within the minimum selected time-out period.<br>4. During power-up.<br><br><b><math>V_{\text{DD}}</math> Falling:</b><br>H = $V_{\text{DD}} < V_{\text{TRIP}}$<br>L = $V_{\text{DD}} > V_{\text{TRIP}}$<br><br><b><math>V_{\text{DD}}</math> Rising:</b><br>H = $V_{\text{DD}} < V_{\text{TRIP}} + V_{\text{HYS}}$<br>L = $V_{\text{DD}} > V_{\text{TRIP}} + V_{\text{HYS}}$ |
| 4       | MCP1316,<br>MCP1316M,<br>MCP1317,<br>MCP1318,<br>MCP1318M,<br>MCP1320,<br>MCP1321 | WDI                    | I        | ST                 | Watchdog Timer Input<br>The WDT period is specified at the time of device order. The Standard WDT period is 1.6s typical.<br>An edge transition on the WDI pin resets the Watchdog Timer counter (no time out). A Falling Edge is required to start the WDT Timer.   |
|         | MCP1319,<br>MCP1319M,<br>MCP1322  | $\overline{\text{MR}}$ | I        | ST                 | Manual Reset input for a Reset switch.<br>This input allows a push button switch to be directly connected to the MCP131X/2X $\overline{\text{MR}}$ pin, which can then be used to force a system Reset. This input filters (ignores) noise pulses that occur on the $\overline{\text{MR}}$ pin.<br>L = Switch is depressed (shorted to ground). This forces the RST/RST pins Active.<br>H = Switch is open (internal pull-up resistor pulls signal high). State of the RST/RST pins determined by other system conditions.   |
| 5       | All   | $V_{\text{DD}}$        | —        | P                  | The positive supply for the device.  |

**Note 1:** Open-Drain output with internal pull-up resistor.



## 3.1 Ground Terminal ( $V_{SS}$ )

$V_{SS}$  provides the negative reference for the analog input voltage. Typically, the circuit ground is used.

## 3.2 Supply Voltage ( $V_{DD}$ )

$V_{DD}$  can be used for power supply monitoring or a voltage level that requires monitoring.

## 3.3 Reset Output (RST and $\overline{\text{RST}}$ )

There are four types of Reset output pins. These are:

1. Open-Drain active-low Reset, External pull-up resistor required
2. Open-Drain active-low Reset, Internal pull-up resistor
3. Push-Pull active-low Reset
4. Push-Pull active-high Reset

Some devices have both an active-low and active-high Reset output.

### 3.3.1 ACTIVE-LOW ( $\overline{\text{RST}}$ ) – OPEN-DRAIN, EXTERNAL PULL-UP RESISTOR

The  $\overline{\text{RST}}$  open-drain output remains low while  $V_{DD}$  is below the Reset voltage threshold ( $V_{\text{TRIP}}$ ). Once the device voltage ( $V_{DD}$ ) returns to a high level ( $V_{\text{TRIP}} + V_{\text{HYS}}$ ), the device will remain in Reset for the Reset delay timer ( $T_{\text{RST}}$ ). After that time expires, the  $\overline{\text{RST}}$  pin will float, and an external pull-up resistor is required to bring the output to the high state.

### 3.3.2 ACTIVE-LOW ( $\overline{\text{RST}}$ ) – OPEN-DRAIN, INTERNAL PULL-UP RESISTOR

The  $\overline{\text{RST}}$  open-drain output remains low while  $V_{DD}$  is below the Reset voltage threshold ( $V_{\text{TRIP}}$ ). Once the device voltage ( $V_{DD}$ ) returns to a high level ( $V_{\text{TRIP}} + V_{\text{HYS}}$ ), the device will remain in Reset for the Reset delay timer ( $T_{\text{RST}}$ ). After that time expires, the  $\overline{\text{RST}}$  pin will be pulled high by an internal pull-up resistor (typically 4.7 k $\Omega$ ).

### 3.3.3 ACTIVE-LOW ( $\overline{\text{RST}}$ ) – PUSH-PULL

The  $\overline{\text{RST}}$  push-pull output remains low while  $V_{DD}$  is below the Reset voltage threshold ( $V_{\text{TRIP}}$ ). Once the device voltage ( $V_{DD}$ ) returns to a high level ( $V_{\text{TRIP}} + V_{\text{HYS}}$ ), the device will remain in Reset for the Reset delay timer ( $T_{\text{RST}}$ ). After that time expires, the  $\overline{\text{RST}}$  pin will be driven to the high state.

### 3.3.4 ACTIVE-HIGH (RST) – PUSH-PULL

The RST push-pull output remains high while  $V_{DD}$  is below the Reset voltage threshold ( $V_{\text{TRIP}}$ ). Once the device voltage ( $V_{DD}$ ) returns to a high level ( $V_{\text{TRIP}} + V_{\text{HYS}}$ ), the device will remain in Reset for the Reset delay timer ( $T_{\text{RST}}$ ). After that time expires, the RST pin will be driven to the low state.

## 3.4 Manual Reset Input ( $\overline{\text{MR}}$ )

The Manual Reset ( $\overline{\text{MR}}$ ) input pin allows a push button switch to easily be connected to the system. When the push button is depressed, it forces a system Reset. This pin has circuitry that filters noise that may be present on the  $\overline{\text{MR}}$  signal.

The  $\overline{\text{MR}}$  pin is active-low and has an internal pull-up resistor.

## 3.5 Watchdog Input

In some systems, it is desirable to have an external Watchdog Timer to monitor the operation of the system. This is done by requiring the embedded controller to “pet” the Watchdog Timer within a predetermined time frame ( $T_{\text{WD}}$ ). If the MCP131X/2X is not “petted” within this time frame, the MCP131X/2X will force the Reset pin(s) active.

The embedded controller “pets” the MCP131X/2X by forcing an edge transition on the WDI pin. The WDT Timer is activated by the first falling edge on the WDI pin.

The standard offering devices have a typical Watchdog Timer period ( $T_{\text{WD}}$ ) of 1.6 s. [Table 1-3](#) shows the available Watchdog Timer periods.

# MCP131X/2X

---

NOTES:

## 4.0 OPERATIONAL DESCRIPTION

For many of today's microcontroller applications, care must be taken to prevent low-power conditions that can cause many different system problems. The most common causes are brown-out conditions, where the system supply drops below the operating level momentarily. The second most common cause is when a slowly decaying power supply causes the microcontroller to begin executing instructions without sufficient voltage to sustain volatile memory (RAM), thus producing indeterminate results. Figure 4-1 shows a typical application circuit.

The MCP131X/2X family of voltage supervisor devices are designed to keep a microcontroller in Reset, until the system voltage has reached and stabilized at the proper level for reliable system operation. These devices also operate as protection from brown-out conditions when the system supply voltage drops below a safe operating level.

Some MCP131X/2X family members include a Watchdog Timer feature that after being enabled (by a falling edge on the WDI pin), monitors the WDI pin for falling or rising edges. If an edge transition is not detected within the expected time frame, the MCP131X/2X devices will force the Reset pin active. This is useful to ensure that the embedded system's Host Controller program is operating as expected.

Some MCP131X/2X family members include a Manual Reset feature that allow a push button switch to be directly connected to the MCP131X/2X devices (on the MR pin). This allows the system to easily be reset from the external control of the push button switch.

A superset block diagram is shown in Figure 4-2, with device specific block diagrams shown in Figure 4-3 through Figure 4-12.

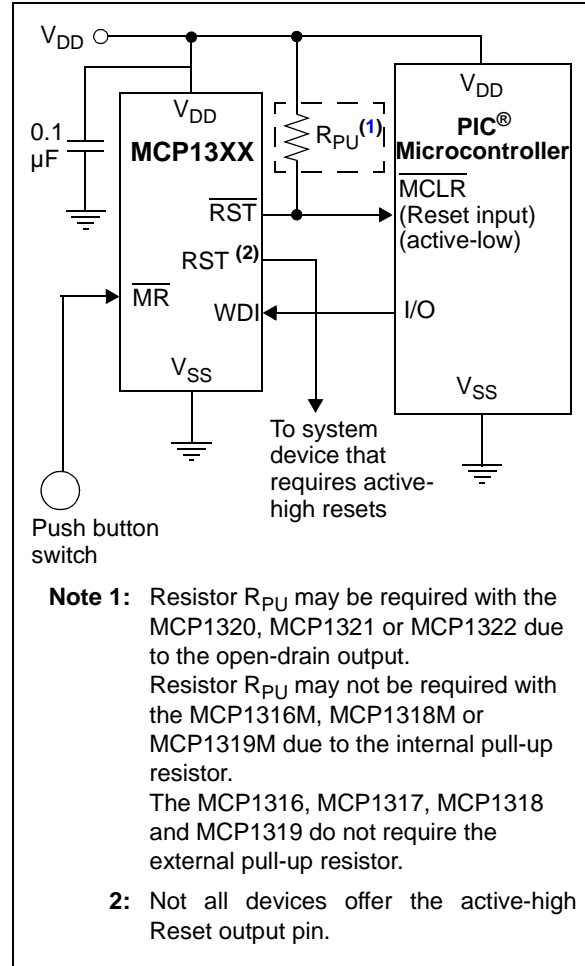


FIGURE 4-1: Typical Application Circuit.

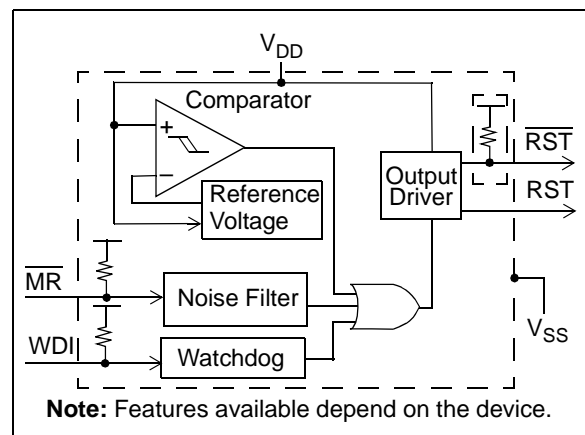
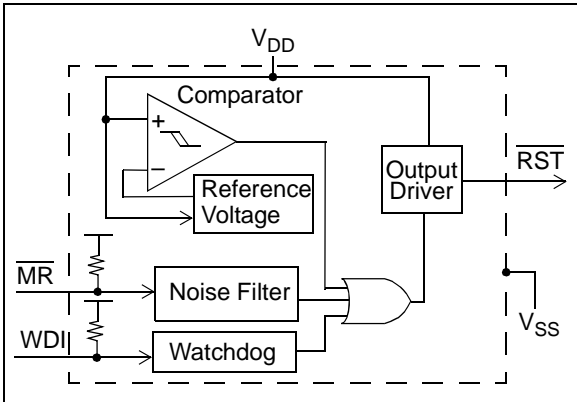


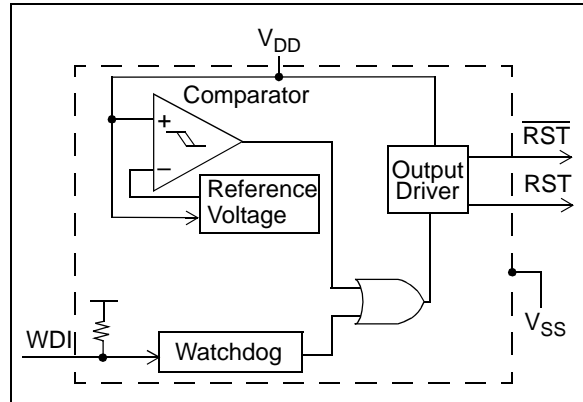
FIGURE 4-2: Family Block Diagram.

# MCP131X/2X

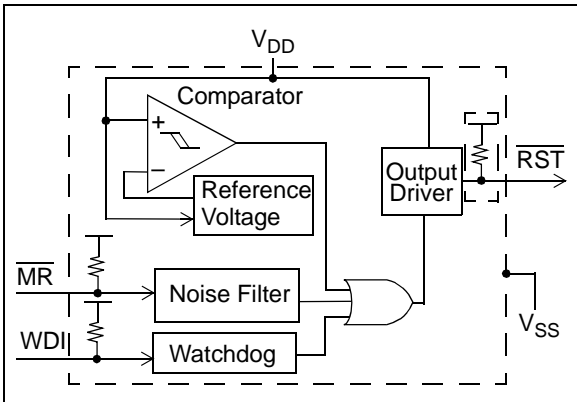
## 4.0.1 DEVICE SPECIFIC BLOCK DIAGRAMS



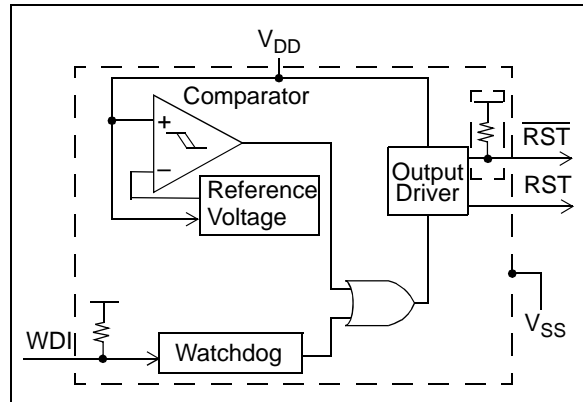
**FIGURE 4-3:** MCP1316 Block Diagram.



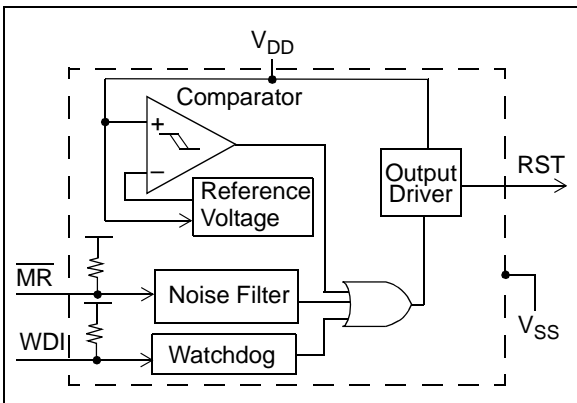
**FIGURE 4-6:** MCP1318 Block Diagram.



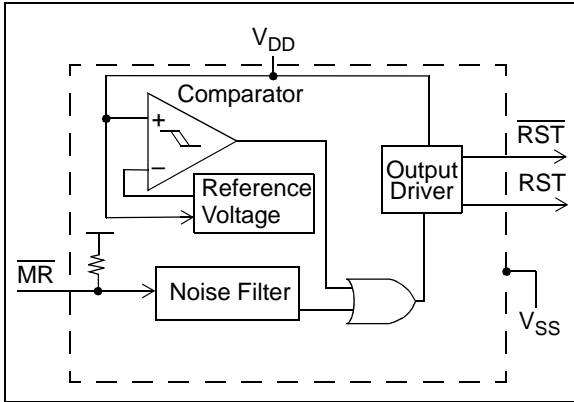
**FIGURE 4-4:** MCP1316M Block Diagram.



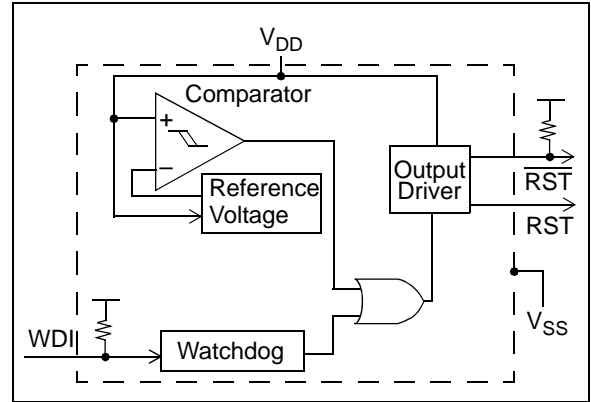
**FIGURE 4-7:** MCP1318M Block Diagram.



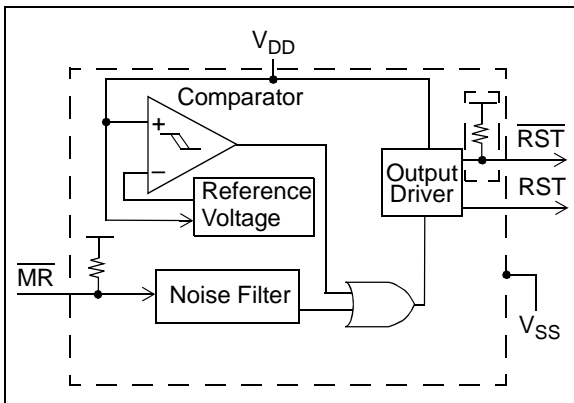
**FIGURE 4-5:** MCP1317 Block Diagram.



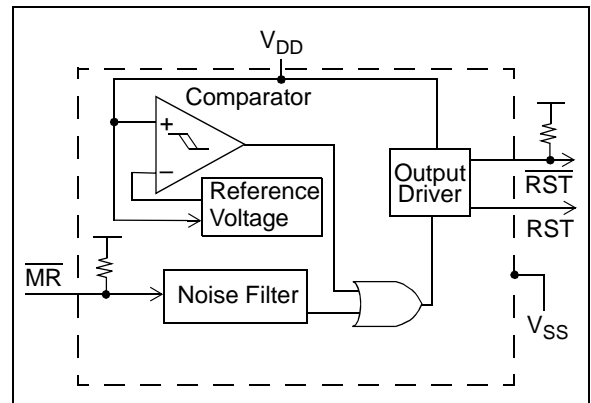
**FIGURE 4-8:** MCP1319 Block Diagram.



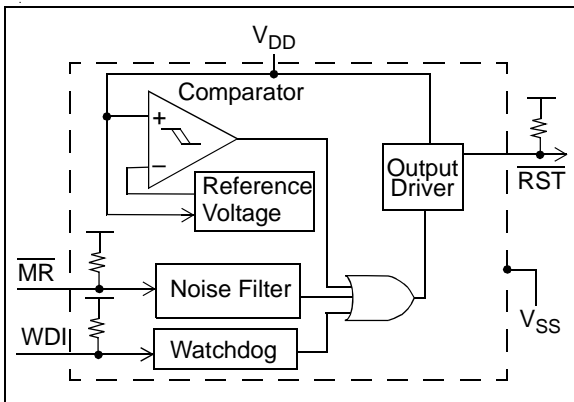
**FIGURE 4-11:** MCP1321 Block Diagram.



**FIGURE 4-9:** MCP1319M Block Diagram.



**FIGURE 4-12:** MCP1322 Block Diagram.



**FIGURE 4-10:** MCP1320 Block Diagram.

# MCP131X/2X

## 4.1 Reset Voltage Trip Point ( $V_{TRIP}$ ) Operation

The device's Reset voltage trip point ( $V_{TRIP}$ ) is selected when the device is ordered. As the voltage on the device's  $V_{DD}$  pin is above or below this selected trip point, the output of the Reset pin ( $RST/\overline{RST}$ ) will be forced to either the inactive or active state.

For the voltage trip point, there is a minimum trip voltage ( $V_{TRIPMIN}$ ) and a maximum trip voltage ( $V_{TRIPMAX}$ ). The voltage that the device "actually" trips at will be referred to as  $V_{TRIP}$ . The trip voltage is specified for the falling of the device  $V_{DD}$ .

There is also a hysteresis ( $V_{HYS}$ ) on the trip point. This is so that noise on the device voltage ( $V_{DD}$ ) does not cause the Reset pin ( $RST/\overline{RST}$ ) to "jitter" (change between driving an active and inactive state).

The Reset pin ( $RST$  or  $\overline{RST}$ ) will be forced active if any of the following occur:

- The Manual Reset input ( $\overline{MR}$ ) goes low
- The Watchdog Timer times out
- $V_{DD}$  goes below the threshold
- During device power-up

After the device exits the Reset condition, the delay circuitry will hold the  $RST$  and  $\overline{RST}$  pins active until the appropriate Reset delay time ( $t_{RST}$ ) has elapsed.

TABLE 4-1: RESET PIN STATES

| Device   | State of $\overline{RST}$ Pin when: |                               | State of $RST$ <sup>(3)</sup> Pin when: |                               | Output Driver             |
|----------|-------------------------------------|-------------------------------|---|-------------------------------|---------------------------|
|          | $V_{DD} < V_{TRIP}$                 | $V_{DD} > V_{TRIP} + V_{HYS}$ | $V_{DD} < V_{TRIP}$                     | $V_{DD} > V_{TRIP} + V_{HYS}$ |                           |
| MCP1316  | L                                   | H                             | —                                       | —                             | Push-pull                 |
| MCP1316M | L                                   | H <sup>(2)</sup>              | —                                       | —                             | Open-drain <sup>(2)</sup> |
| MCP1317  | —                                   | —                             | H                                       | L                             | Push-pull                 |
| MCP1318  | L                                   | H                             | H                                       | L                             | Push-pull                 |
| MCP1318M | L                                   | H <sup>(2)</sup>              | H                                       | L                             | Open-drain <sup>(2)</sup> |
| MCP1319  | L                                   | H                             | H                                       | L                             | Push-pull                 |
| MCP1319M | L                                   | H <sup>(2)</sup>              | H                                       | L                             | Open-drain <sup>(2)</sup> |
| MCP1320  | L                                   | H <sup>(1)</sup>              | —                                       | —                             | Open-drain <sup>(1)</sup> |
| MCP1321  | L                                   | H <sup>(1)</sup>              | H                                       | L                             | Open-drain <sup>(1)</sup> |
| MCP1322  | L                                   | H <sup>(1)</sup>              | H                                       | L                             | Open-drain <sup>(1)</sup> |

**Note 1:** Requires External Pull-up resistor.

**2:** Has Internal Pull-up resistor.

**3:** The  $RST$  pin output is always push-pull.

## 4.1.1 POWER-UP/RISING $V_{DD}$

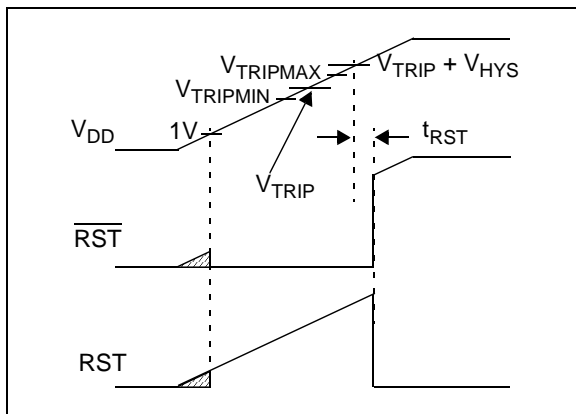
As the device  $V_{DD}$  rises, the device's Reset circuit will remain active until the voltage rises above the "actual" trip point ( $V_{TRIP}$ ) plus the hysteresis ( $V_{HYS}$ ).

Figure 4-13 shows a power-up sequence and the waveform of the  $\overline{RST}$  and  $RST$  pins.

As the device powers up, the voltage will start below the valid operating voltage of the device. At this voltage, the Reset output value is not valid. Once the voltage is above the minimum operating voltage (1V) and below the selected  $V_{TRIP}$ , the Reset output will be active.

Once the device voltage rises above the "actual" trip point ( $V_{TRIP}$ ) plus the hysteresis ( $V_{HYS}$ ), the Reset delay timer ( $t_{RST}$ ) starts. When the Reset delay timer times out, the Reset output ( $RST/\overline{RST}$ ) is driven inactive.

**Note:** While the Reset delay timer ( $t_{RST}$ ) is active, additional system current is consumed.



**FIGURE 4-13:** Reset Pin Operation on a Power-up.

## 4.1.2 POWER-DOWN/BROWN-OUTS

As the device powers-down/brown-outs, the voltage ( $V_{DD}$ ) falls from a voltage above the device's trip point ( $V_{TRIP}$ ). The device's "actual" trip point voltage ( $V_{TRIP}$ ) will be between the minimum trip point ( $V_{TRIPMIN}$ ) and the maximum trip point ( $V_{TRIPMAX}$ ). Once the device voltage ( $V_{DD}$ ) goes below this voltage, the Reset pin(s) will be forced to the active state. There is a hysteresis on this trip point. This is so noise on the device voltage ( $V_{DD}$ ) does not cause the Reset pin ( $RST/\overline{RST}$ ) to "jitter" (change between driving an active and inactive).

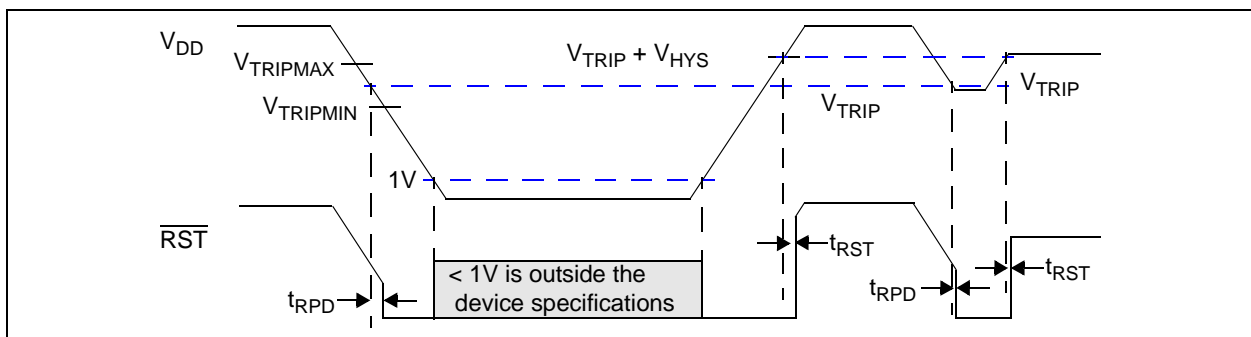
Figure 4-14 shows the waveform of the  $\overline{RST}$  pin as determined by the  $V_{DD}$  voltage, while Table 4-1 shows the state of the  $\overline{RST}$  pin.

### 4.1.2.1 Operation of $\overline{RST}$ pin with Internal Pull-Up Resistor

**Note:** Only the MCP1316M, MCP1318M and MCP1319M devices have an open-drain  $\overline{RST}$  output pin with an internal pull-up resistor.

The internal pull-up resistor has a typical value of 4.7 k $\Omega$ . The internal pull-up eliminates the need for an external resistor.

To reduce the current consumption of the device, when the  $\overline{RST}$  pin is driving low, the resistor is disconnected.



**FIGURE 4-14:**  $\overline{RST}$  Operation as Determined by the  $V_{TRIP}$  and  $V_{HYS}$ .

# MCP131X/2X

## 4.2 Reset Delay Timer ( $t_{RST}$ )

The Reset delay timer ensures that the MCP131X/2X device will “hold” the embedded system in Reset until the system voltage has stabilized. There are several time-out options to better meet the requirements of different applications. These Reset delay timer time-outs are shown in Table 4-2. The Standard offering time-out is typically 200 ms.

The Reset delay timer ( $t_{RST}$ ) starts after the device voltage rises above the “actual” trip point ( $V_{TRIP}$ ) plus the hysteresis ( $V_{HYS}$ ). When the Reset delay timer times-out, the Reset output pin ( $RST/\overline{RST}$ ) is driven inactive.

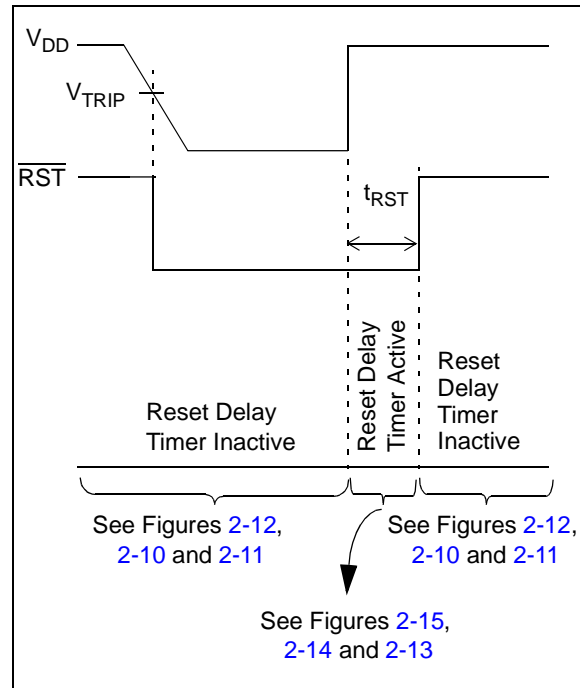
**Note:** While the Reset delay timer ( $t_{RST}$ ) is active, additional system current is consumed.

**TABLE 4-2: RESET DELAY TIMER TIME OUTS (1)**

| $t_{RST}$  |     |  | Units |
|--|-----|--|-------|
| Min  | Typ | Max  |       |
| 1.0  | 1.4 | 2.0  | ms    |
| 20   | 30  | 40   | ms    |
| 140  | 200 | 280  | ms    |
| 1120   | 1.6 | 2.24   | sec   |
| ↑  |     | ↑  |       |
| This is the minimum time that the Reset delay timer will “hold” the Reset pin active after $V_{DD}$ rises above $V_{TRIP} + V_{HYS}$ |     | This is the maximum time that the Reset delay timer will “hold” the Reset pin active after $V_{DD}$ rises above $V_{TRIP} + V_{HYS}$ |       |

**Note 1:** Shaded rows are custom ordered time outs.

Figure 4-15 illustrates when the Reset delay timer ( $t_{RST}$ ) is active or inactive.



**FIGURE 4-15:** Reset Power-up Timer Waveform.

### 4.2.1 EFFECT OF TEMPERATURE ON RESET POWER-UP TIMER ( $T_{RPU}$ )

The Reset delay timer time-out period ( $t_{RST}$ ) determines how long the device remains in the Reset condition. This time-out is affected by both the device  $V_{DD}$  and temperature. Typical responses for different  $V_{DD}$  values and temperatures are shown in Figures 2-33, 2-32 and 2-31.



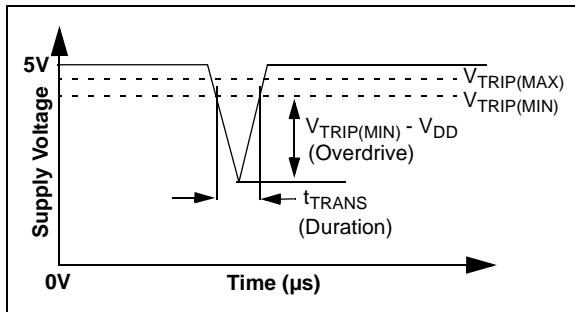
## 4.3 Negative Going $V_{DD}$ Transients

The minimum pulse width (time) required to cause a Reset may be an important criteria in the implementation of a Power-on Reset (POR) circuit. This time is referred to as transient duration. The MCP131X/2X devices are designed to reject a level of negative-going transients (glitches) on the power supply line.

Transient duration is the amount of time needed for these supervisory devices to respond to a drop in  $V_{DD}$ . The transient duration time ( $t_{TRAN}$ ) is dependant on the magnitude of  $V_{TRIP} - V_{DD}$  (overdrive). Any combination of duration and overdrive that lies under the duration/overdrive curve will not generate a Reset signal. Generally speaking, the transient duration time decreases with, and increases in, the  $V_{TRIP} - V_{DD}$  voltage. Combinations of duration and overdrive that lie above the duration/overdrive curve are detected as a brown-out or power-down condition.

Figure 4-16 shows a typical transient duration versus Reset comparator overdrive, for which the MCP131X/2X will not generate a Reset pulse. It shows that the farther below the trip point the transient pulse goes, the duration of the pulse required to cause a Reset gets shorter. Figure 4-16 shows the transient response characteristics for the MCP131X/2X.

Transient immunity can be improved by adding a bypass capacitor (typically 0.1  $\mu\text{F}$ ) as close as possible to the  $V_{DD}$  pin of the MCP131X/2X device.



**FIGURE 4-16:** Example of Typical Transient Duration Waveform.

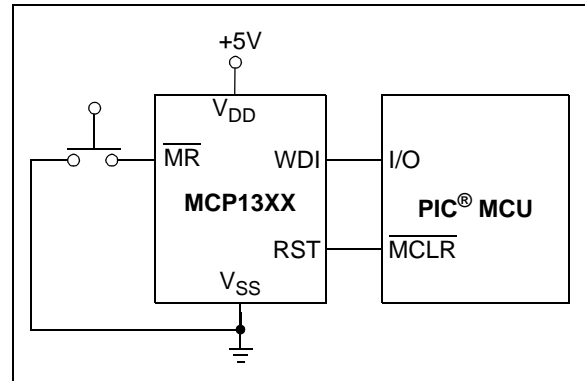
## 4.4 Manual Reset Input

The Manual Reset input pin ( $\overline{\text{MR}}$ ) allows the Reset pins ( $\text{RST}/\overline{\text{RST}}$ ) to be manually forced to their active states. The  $\overline{\text{MR}}$  pin has circuitry to filter noise pulses that may be present on the pin. Figure 4-17 shows a block diagram for using the MCP131X/2X with a push-button switch. To minimize the required external components, the  $\overline{\text{MR}}$  input has an internal pull-up resistor.

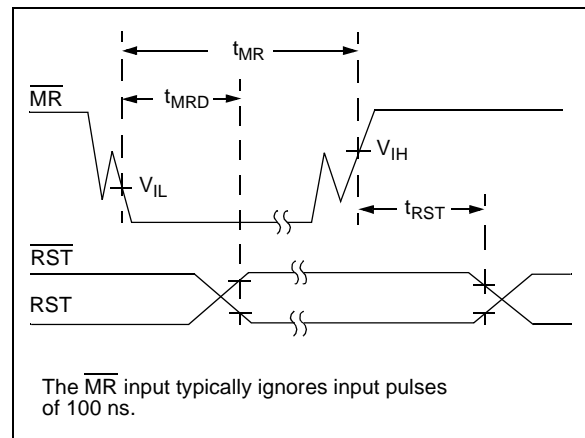
A mechanical push button or active logic signal can drive the  $\overline{\text{MR}}$  input.

Once  $\overline{\text{MR}}$  has been low for a time,  $t_{MRD}$  (the Manual Reset delay time), the Reset output pins are forced active. The Reset output pins will remain in their active states for the Reset delay timer time-out period ( $t_{RST}$ ).

Figure 4-18 shows a waveform for the Manual Reset switch input and the Reset pins output.



**FIGURE 4-17:** Push Button Reset and Watchdog Timer.



**FIGURE 4-18:**  $\overline{\text{MR}}$  Input – Push Button.

### 4.4.1 NOISE FILTER

The noise filter filters out noise spikes (glitches) on the Manual Reset pin ( $\overline{\text{MR}}$ ). Noise spikes less than 100 ns (typical) are filtered.

# MCP131X/2X

## 4.5 Watchdog Timer

The purpose of the Watchdog Timer (WDT) is to increase system reliability. The Watchdog Timer feature can be used to detect when the Host Controller's program flow is not as expected. The Watchdog Timer monitors for activity on the Watchdog Input pin (WDI). The WDI pin is expected to be strobed within a given time frame. When this time frame is exceeded, without an edge transition on the WDI pin, the Reset pin is driven active to reset the system. This stops the Host Controller from continuing its erratic behavior ("run-away" code execution).

The Watchdog Timer is external to the main portion of the control system and monitors the operation of the system. This feature is enabled by a falling edge on the WDI pin (after device POR). Monitoring is then done by requiring the embedded controller to force an edge transition (falling or rising) on the WDI pin ("pet the Watchdog") within a predetermined time frame ( $T_{WDT}$ ). If the MCP131X/2X does not detect an edge on the WDI pin within the expected time frame, the MCP131X/2X device will force the Reset pin active.

The Watchdog Timer is in the disabled state when:

- The Device Powers up
- A POR event occurred
- A WDT event occurred
- A Manual Reset ( $\overline{MR}$ ) event occurred

When the Watchdog Timer is in the disabled state, the WDI pin has an internal smart pull-up resistor enabled. This pull-up resistor has a typical value of 52 k $\Omega$ . This pull-up resistor holds the WDI signal in the high state, until it is forced to another state.

After the embedded controller has initialized, if the Watchdog Timer feature is to be used, then the embedded controller can force the WDI pin low ( $V_{IL}$ ). This also enables the Watchdog Timer feature and disables the WDI pull-up resistor. Disabling the pull-up resistor reduces the device's current consumption. The pull-up resistor will remain disconnected until the device has a power-on, a Reset event occurs, or after the WDT time out.

Once the Watchdog Timer has been enabled, the Host Controller must force an edge transition (falling or rising) on the WDI pin before the minimum Watchdog Timer time out to ensure that the Watchdog Timer does not force the Reset pins ( $RST/\overline{RST}$ ) to the active state.

If an edge transition does not occur before the maximum time out occurs, then the MCP131X/2X will force the Reset pins to their active state.

The MCP131X/2X supports four time outs. The standard offering devices have a typical Watchdog Timer period ( $T_{WDT}$ ) of 1.6 s. Table 4-3 shows the available Watchdog Timer periods. The  $t_{WDT}$  time-out is a function of the device voltage and temperature.

Figure 4-19 shows a block diagram for using the MCP131X/2X with a PIC<sup>®</sup> microcontroller (MCU) and the Watchdog input.

**TABLE 4-3: WATCHDOG TIMER PERIODS (1)**

| $t_{WDT}$ |      |      | Units |
|-----------|------|------|-------|
| Min       | Typ  | Max  |       |
| 4.3       | 6.3  | 9.3  | ms    |
| 71        | 102  | 153  | ms    |
| 1.12      | 1.6  | 2.4  | sec   |
| 17.9      | 25.6 | 38.4 | sec   |

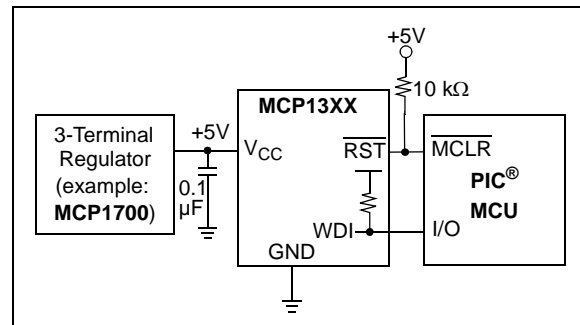
↑

If the time between WDI edges is less than this, it ensures that the MCP131X/2X **never** forces a Reset

↑

If the time between WDI edges is greater than this, it ensures that the MCP131X/2X **always** forces a Reset

**Note 1:** Shaded rows are custom ordered Watchdog Timer Periods ( $t_{WDT}$ ) time outs. For information on ordering devices with these  $t_{WDT}$  time outs, please contact your local Microchip sales office. Minimum purchase volumes are required.



**FIGURE 4-19: Watchdog Timer.**

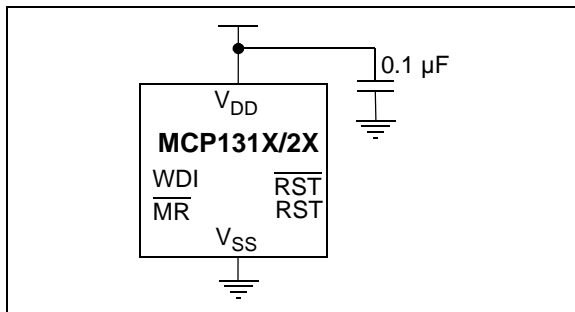
The software routine that strobes WDI is critical. The code must be in a section of software that is executed frequently enough so the time between edge transitions is less than the Watchdog time-out period. One common technique controls the Host Controllers I/O line from two sections of the program. The software might set the I/O line high while operating in the Foreground mode and set it low while in the Background or Interrupt modes. If both modes do not execute correctly, the Watchdog Timer issues Reset pulses.

## 5.0 APPLICATION INFORMATION

This section shows application-related information that may be useful for your particular design requirements.

### 5.1 Supply Monitor Noise Sensitivity

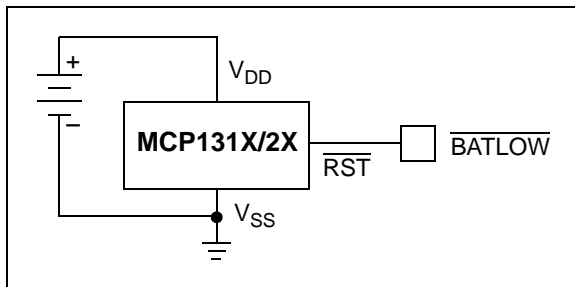
The MCP131X/2X devices are optimized for fast response to negative-going changes in  $V_{DD}$ . Systems with an inordinate amount of electrical noise on  $V_{DD}$  (such as systems using relays) may require a  $0.01\ \mu\text{F}$  or  $0.1\ \mu\text{F}$  bypass capacitor to reduce detection sensitivity. This capacitor should be installed as close to the MCP131X/2X as possible to keep the capacitor lead length short.



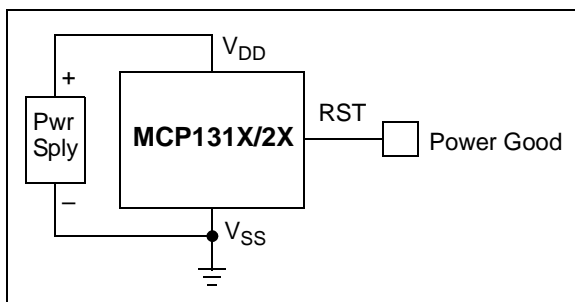
**FIGURE 5-1:** Typical Application Circuit with Bypass Capacitor.

### 5.2 Conventional Voltage Monitoring

Figure 5-2 and Figure 5-3 show the MCP131X/2X in conventional voltage monitoring applications.



**FIGURE 5-2:** Battery Voltage Monitor.



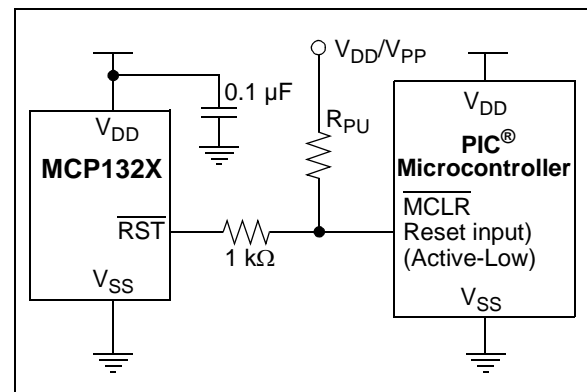
**FIGURE 5-3:** Power Good Monitor.

### 5.3 Using in PIC<sup>®</sup> Microcontroller, ICSP<sup>™</sup> Applications

**Note:** This operation can only be done using the device with the Open-Drain  $\overline{\text{RST}}$  pin (MCP1320, MCP1321, and MCP1322). Devices that have the internal pull-up resistor are not recommended due to the current path of the internal pull-up resistor.

Figure 5-4 shows the typical application circuit for using the MCP132X for a voltage supervisory function when the PIC<sup>®</sup> microcontroller will be programmed via the In-Circuit Serial Programming<sup>™</sup> (ICSP<sup>™</sup>) feature. Additional information is available in TB087, "Using Voltage Supervisors with PIC<sup>®</sup> Microcontroller Systems which Implement In-Circuit Serial Programming<sup>™</sup>" (DS91087).

**Note:** It is recommended that the current into the  $\overline{\text{RST}}$  pin be current limited by a  $1\ \text{k}\Omega$  resistor.



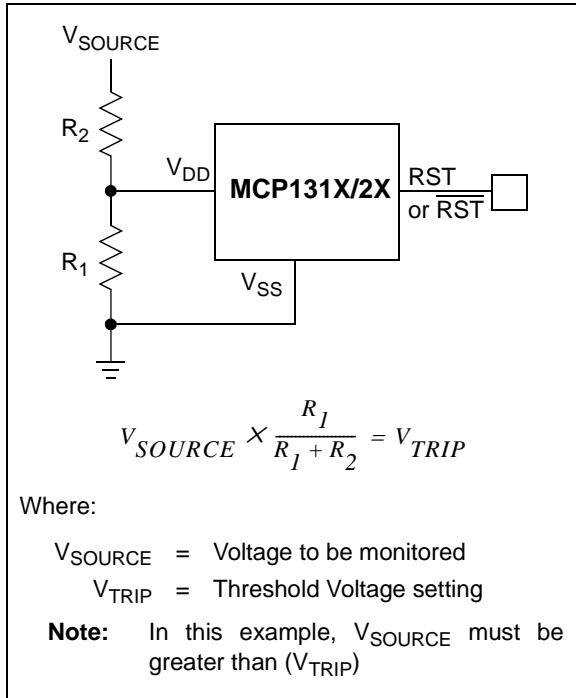
**FIGURE 5-4:** Typical Application Circuit for PIC<sup>®</sup> Microcontroller with the ICSP<sup>™</sup> Feature.

# MCP131X/2X

## 5.4 Modifying The Trip Point, $V_{TRIP}$

Although the MCP131X/2X device has a fixed voltage trip point ( $V_{TRIP}$ ), it is sometimes necessary to make custom adjustments. This can be accomplished by connecting an external resistor divider to the MCP131X/2X  $V_{DD}$  pin. This causes the  $V_{SOURCE}$  voltage to be at a higher voltage than when the MCP131X/2X input equals its  $V_{TRIP}$  voltage (Figure 5-5).

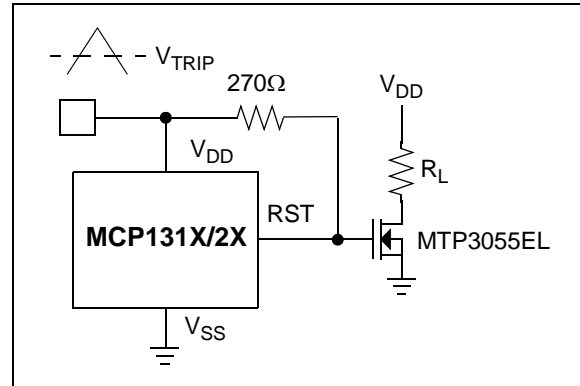
To maintain detector accuracy, the bleeder current through the divider should be significantly higher than the 10  $\mu$ A maximum operating current required by the MCP131X/2X. A reasonable value for this bleeder current is 1 mA (100 times the 10  $\mu$ A required by the MCP131X/2X). For example, if  $V_{TRIP} = 2V$  and the desired trip point is 2.5V, the value of  $R_1 + R_2$  is 2.5 k $\Omega$  (2.5V/1 mA). The value of  $R_1 + R_2$  can be rounded to the nearest standard value and plugged into the equation of Figure 5-5 to calculate values for  $R_1$  and  $R_2$ . 1% tolerance resistors are recommended.



**FIGURE 5-5:** Modify Trip-Point using External Resistor Divider.

## 5.5 MOSFET Low-Drive Protection

Low operating power and small physical size make the MCP131X/2X series ideal for many voltage detector applications. Figure 5-6 shows a low-voltage gate drive protection circuit that prevents overheating of the logic-level MOSFET due to insufficient gate voltage. When the input signal is below the threshold of the MCP131X/2X, its output grounds the gate of the MOSFET.



**FIGURE 5-6:** MOSFET Low-Drive Protection.

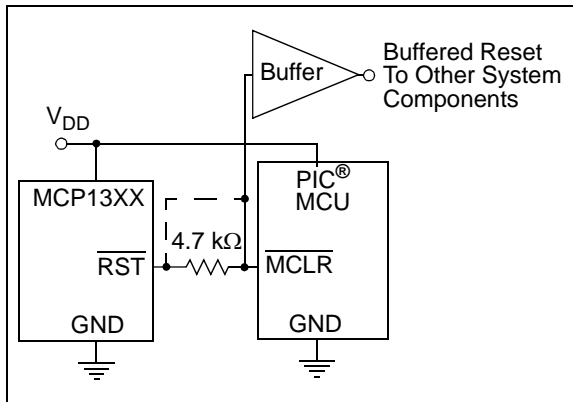
## 5.6 Low-Power Applications

In some low-power applications, the longer the microcontroller (such as a PIC<sup>®</sup> MCU) can be in the “Sleep mode”, the lower the average system current consumption will be.

The WDT feature can be used to “wake-up” the PIC MCU at a regular interval to service the required tasks before returning to sleep. This “wake-up” occurs after the PIC MCU detects a  $\overline{MCLR}$  reset during Sleep mode (for mid-range family;  $\overline{POR} = 1$ ,  $\overline{BOR} = 1$ ,  $\overline{TO} = 1$ , and  $\overline{PD} = 1$ ).

## 5.7 Controllers and Processors With Bidirectional I/O Pins

Some microcontrollers have bidirectional Reset pins. Depending on the current drive capability of the controller pin, an indeterminate logic level may result if there is a logic conflict. This can be avoided by adding a 4.7 kΩ resistor in series with the output of the MCP131X/2X (Figure 5-7). If there are other components in the system that require a Reset signal, they should be buffered so as not to load the Reset line. If the other components are required to follow the Reset I/O of the microcontroller, the buffer should be connected as shown with the solid line.



**FIGURE 5-7:** Interfacing the MCP131X/2X Push-Pull Outputs to a Bidirectional Reset I/O.

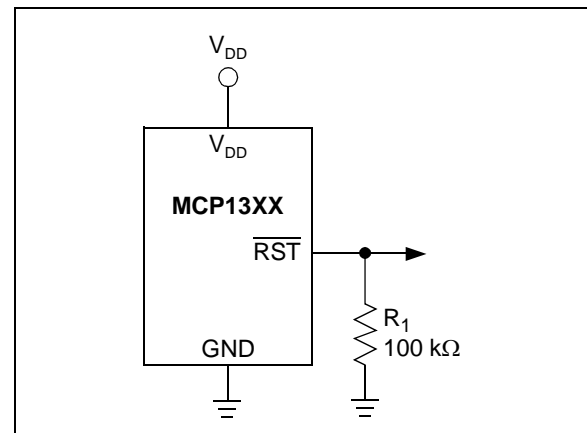
## 5.8 RESET Signal Integrity During Power-Down

The MCP131X/2X Reset output is valid to  $V_{DD} = 1.0V$ . Below this 1.0V, the output becomes an "open circuit" and does not sink or source current. This means CMOS logic inputs to the microcontroller will be floating at an undetermined voltage. Most digital systems are completely shut down well above this voltage. However, in situations where the Reset signal must be maintained valid to  $V_{DD} = 0V$ , external circuitry is required.

For devices where the Reset signal is active-low, a pull-down resistor must be connected from the MCP131X/2X Reset pin(s) to ground to discharge stray capacitances and hold the output low (Figure 5-8).

Similarly, for devices where the Reset signal is active-high, a pull-up resistor to  $V_{DD}$  is required to ensure a valid high Reset signal for  $V_{DD}$  below 1.0V.

This resistor value, though not critical, should be chosen such that it does not appreciably load the Reset pin(s) under normal operation (100 kΩ will be suitable for most applications).



**FIGURE 5-8:** Ensuring a Valid Active-low Reset Pin Output State as  $V_{DD}$  Approaches 0V.

# MCP131X/2X

---

NOTES:

## 6.0 STANDARD DEVICE OFFERINGS

Table 6-1 shows the standard devices that are available and their respective configuration. The configuration includes:

- Voltage Trip Point ( $V_{TRIP}$ )
- Reset Time Out ( $t_{RST}$ )
- Watchdog Time Out ( $t_{WDT}$ )

Table 6-1 also shows the order number for that given device configuration.

**TABLE 6-1: STANDARD VERSIONS**

| Device   | Reset Threshold (V) | Reset Time Out (ms) |         | Watchdog Time Out (s) |         | Order Number      |
|----------|---------------------|---------------------|---------|-----------------------|---------|-------------------|
|          |                     | Minimum             | Typical | Minimum               | Typical |                   |
| MCP1316  | 2.90                | 140                 | 200     | 1.12                  | 1.6     | MCP1316T-29LE/OT  |
| MCP1316  | 4.60                | 140                 | 200     | 1.12                  | 1.6     | MCP1316T-46LE/OT  |
| MCP1316M | 2.90                | 140                 | 200     | 1.12                  | 1.6     | MCP1316MT-29LE/OT |
| MCP1316M | 4.60                | 140                 | 200     | 1.12                  | 1.6     | MCP1316MT-46LE/OT |
| MCP1317  | 2.90                | 140                 | 200     | 1.12                  | 1.6     | MCP1317T-29LE/OT  |
| MCP1317  | 4.60                | 140                 | 200     | 1.12                  | 1.6     | MCP1317T-46LE/OT  |
| MCP1318  | 2.90                | 140                 | 200     | 1.12                  | 1.6     | MCP1318T-29LE/OT  |
| MCP1318  | 4.60                | 140                 | 200     | 1.12                  | 1.6     | MCP1318T-46LE/OT  |
| MCP1318M | 2.90                | 140                 | 200     | 1.12                  | 1.6     | MCP1318MT-29LE/OT |
| MCP1318M | 4.60                | 140                 | 200     | 1.12                  | 1.6     | MCP1318MT-46LE/OT |
| MCP1319  | 2.90                | 140                 | 200     | —                     | —       | MCP1319T-29LE/OT  |
| MCP1319  | 4.60                | 140                 | 200     | —                     | —       | MCP1319T-46LE/OT  |
| MCP1319M | 2.90                | 140                 | 200     | —                     | —       | MCP1319MT-29LE/OT |
| MCP1319M | 4.60                | 140                 | 200     | —                     | —       | MCP1319MT-46LE/OT |
| MCP1320  | 2.90                | 140                 | 200     | 1.12                  | 1.6     | MCP1320T-29LE/OT  |
| MCP1320  | 4.60                | 140                 | 200     | 1.12                  | 1.6     | MCP1320T-46LE/OT  |
| MCP1321  | 2.90                | 140                 | 200     | 1.12                  | 1.6     | MCP1321T-29LE/OT  |
| MCP1321  | 4.60                | 140                 | 200     | 1.12                  | 1.6     | MCP1321T-46LE/OT  |
| MCP1322  | 2.90                | 140                 | 200     | —                     | —       | MCP1322T-29LE/OT  |
| MCP1322  | 4.60                | 140                 | 200     | —                     | —       | MCP1322T-46LE/OT  |

## 6.1 Custom Configurations

Table 6-2 shows the codes that specify the desired Reset time out ( $t_{RST}$ ) and Watchdog Timer time-out ( $t_{WDT}$ ) for custom devices.

The voltage trip point ( $V_{TRIP}$ ) is specified by the two digits of the desired typical trip point voltage. As an example, if the desired  $V_{TRIP}$  selection has a typical  $V_{TRIP}$  of 2.7V, the code is 27.

**TABLE 6-2: DELAY TIME-OUT ORDERING CODES**

| Code | Typical Delay Time (ms) |         | Comment | Code | Typical Delay Time (ms) |         | Comment                                     |
|------|-------------------------|---------|---------|------|-------------------------|---------|---|
|      | Reset                   | WDT     |         |      | Reset                   | WDT     |   |
| A    | 1.6                     | 6.3     | Note 1  | J    | 200.0                   | 6.3     | Note 1                                      |
| B    | 1.6                     | 102.0   | Note 1  | K    | 200.0                   | 102.0   | Note 1                                      |
| C    | 1.6                     | 1600.0  | Note 1  | L    | 200.0                   | 1600.0  | Delay timings for standard device offerings |
| D    | 1.6                     | 25600.0 | Note 1  | M    | 200.0                   | 25600.0 | Note 1                                      |
| E    | 30.0                    | 6.3     | Note 1  | N    | 1600.0                  | 6.3     | Note 1                                      |
| F    | 30.0                    | 102.0   | Note 1  | P    | 1600.0                  | 102.0   | Note 1                                      |
| G    | 30.0                    | 1600.0  | Note 1  | Q    | 1600.0                  | 1600.0  | Note 1                                      |
| H    | 30.0                    | 25600.0 | Note 1  | R    | 1600.0                  | 25600.0 | Note 1                                      |

**Note 1:** This delay timing combination is not the standard offering. For information on ordering devices with these delay times, contact your local Microchip sales office. Minimum purchase volumes are required.

# MCP131X/2X

---

NOTES:



## 7.0 DEVELOPMENT TOOLS

### 7.1 Evaluation/Demonstration Boards

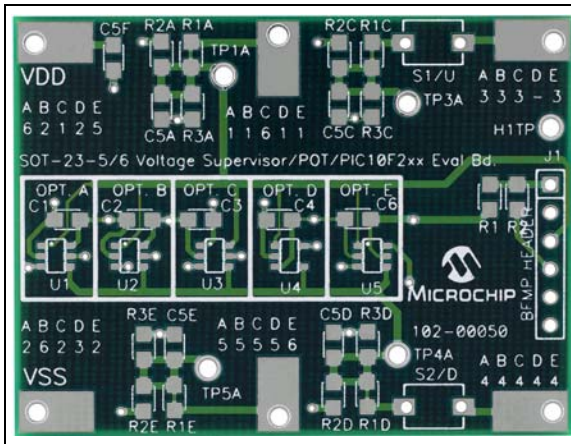
The SOT-23-5/6 Evaluation Board (VSUPEV2) can be used to evaluate the characteristics of the MCP131X/2X devices.

This blank PCB has footprints for:

- Pull-up Resistor
- Pull-down Resistor
- Loading Capacitor
- In-line Resistor

There is also a power supply filtering capacitor.

For evaluating the MCP131X/2X devices, the selected device should be installed into the Option A footprint.



**FIGURE 1:** SOT-23-5/6 Voltage Supervisor Evaluation Board (VSUPEV2).

This board may be purchased directly from the Microchip web site at [www.microchip.com](http://www.microchip.com).

# MCP131X/2X

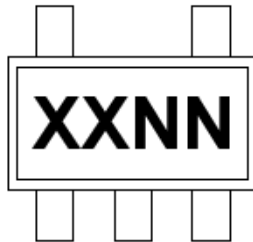
---

NOTES:

## 8.0 PACKAGING INFORMATION

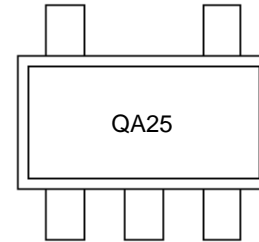
### 8.1 Package Marking Information

5-Pin SOT-23



| Part Number       | SOT-23 |
|-------------------|--------|
| MCP1316T-29LE/OT  | QANN   |
| MCP1316MT-29LE/OT | QBNN   |
| MCP1317T-29LE/OT  | QCNN   |
| MCP1318T-29LE/OT  | QDNN   |
| MCP1318MT-29LE/OT | QENN   |
| MCP1319T-29LE/OT  | QFNN   |
| MCP1319MT-29LE/OT | QGNN   |
| MCP1320T-29LE/OT  | QHNN   |
| MCP1321T-29LE/OT  | QJNN   |
| MCP1322T-29LE/OT  | QKNN   |
| MCP1316T-46LE/OT  | QLNN   |
| MCP1316MT-46LE/OT | QMNN   |
| MCP1317T-46LE/OT  | QPNN   |
| MCP1318T-46LE/OT  | QQNN   |
| MCP1318MT-46LE/OT | QRNN   |
| MCP1319T-46LE/OT  | QSNN   |
| MCP1319MT-46LE/OT | QTNN   |
| MCP1320T-46LE/OT  | QUNN   |
| MCP1321T-46LE/OT  | QVNN   |
| MCP1322T-46LE/OT  | QWNN   |

Example:



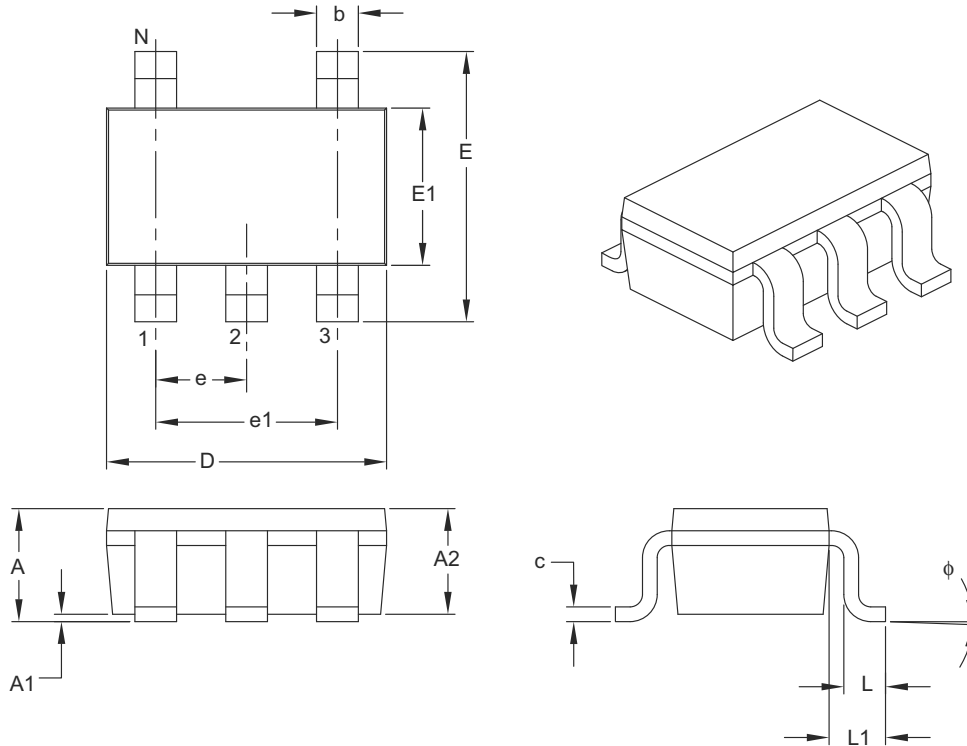
**Legend:** XX...X Customer-specific information  
 Y Year code (last digit of calendar year)  
 YY Year code (last 2 digits of calendar year)  
 WW Week code (week of January 1 is week '01')  
 NNN Alphanumeric traceability code  
 Ⓜ Pb-free JEDEC designator for Matte Tin (Sn)  
 \* This package is Pb-free. The Pb-free JEDEC designator Ⓜ can be found on the outer packaging for this package.

**Note:** In the event the full Microchip part number cannot be marked on one line, it will be carried over to the next line, thus limiting the number of available characters for customer-specific information.

# MCP131X/2X

## 5-Lead Plastic Small Outline Transistor (OT) [SOT-23]

**Note:** For the most current package drawings, please see the Microchip Packaging Specification located at <http://www.microchip.com/packaging>



| Dimension Limits         | Units  | MILLIMETERS |     |      |
|--------------------------|--------|-------------|-----|------|
|                          |        | MIN         | NOM | MAX  |
| Number of Pins           | N      | 5           |     |      |
| Lead Pitch               | e      | 0.95 BSC    |     |      |
| Outside Lead Pitch       | e1     | 1.90 BSC    |     |      |
| Overall Height           | A      | 0.90        | –   | 1.45 |
| Molded Package Thickness | A2     | 0.89        | –   | 1.30 |
| Standoff                 | A1     | 0.00        | –   | 0.15 |
| Overall Width            | E      | 2.20        | –   | 3.20 |
| Molded Package Width     | E1     | 1.30        | –   | 1.80 |
| Overall Length           | D      | 2.70        | –   | 3.10 |
| Foot Length              | L      | 0.10        | –   | 0.60 |
| Footprint                | L1     | 0.35        | –   | 0.80 |
| Foot Angle               | $\phi$ | 0°          | –   | 30°  |
| Lead Thickness           | c      | 0.08        | –   | 0.26 |
| Lead Width               | b      | 0.20        | –   | 0.51 |

**Notes:**

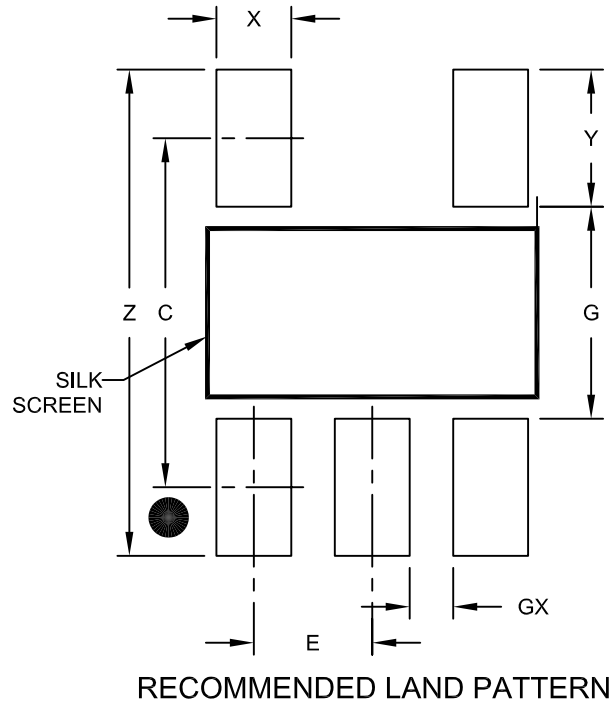
- Dimensions D and E1 do not include mold flash or protrusions. Mold flash or protrusions shall not exceed 0.127 mm per side.
- Dimensioning and tolerancing per ASME Y14.5M.

BSC: Basic Dimension. Theoretically exact value shown without tolerances.

Microchip Technology Drawing C04-091B

## 5-Lead Plastic Small Outline Transistor (OT) [SOT-23]

**Note:** For the most current package drawings, please see the Microchip Packaging Specification located at <http://www.microchip.com/packaging>



| Dimension Limits        | Units | MILLIMETERS |          |      |
|-------------------------|-------|-------------|----------|------|
|                         |       | MIN         | NOM      | MAX  |
| Contact Pitch           | E     |             | 0.95 BSC |      |
| Contact Pad Spacing     | C     |             | 2.80     |      |
| Contact Pad Width (X5)  | X     |             |          | 0.60 |
| Contact Pad Length (X5) | Y     |             |          | 1.10 |
| Distance Between Pads   | G     | 1.70        |          |      |
| Distance Between Pads   | GX    | 0.35        |          |      |
| Overall Width           | Z     |             |          | 3.90 |

**Notes:**

1. Dimensioning and tolerancing per ASME Y14.5M

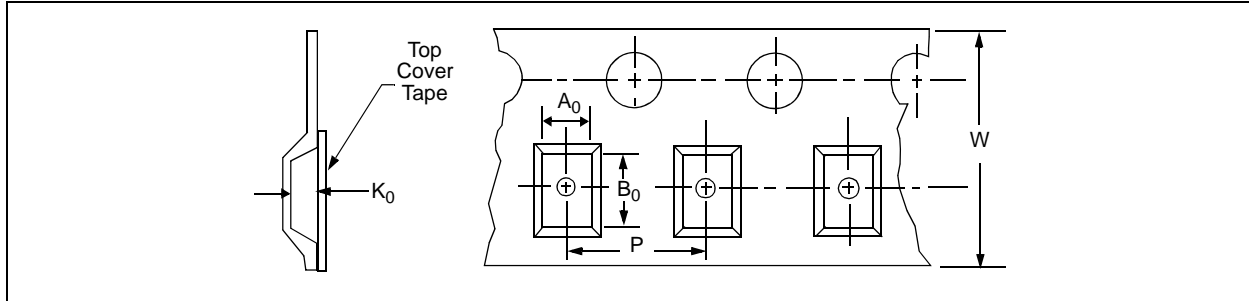
BSC: Basic Dimension. Theoretically exact value shown without tolerances.

Microchip Technology Drawing No. C04-2091A

# MCP131X/2X

## 8.2 Product Tape and Reel Specifications

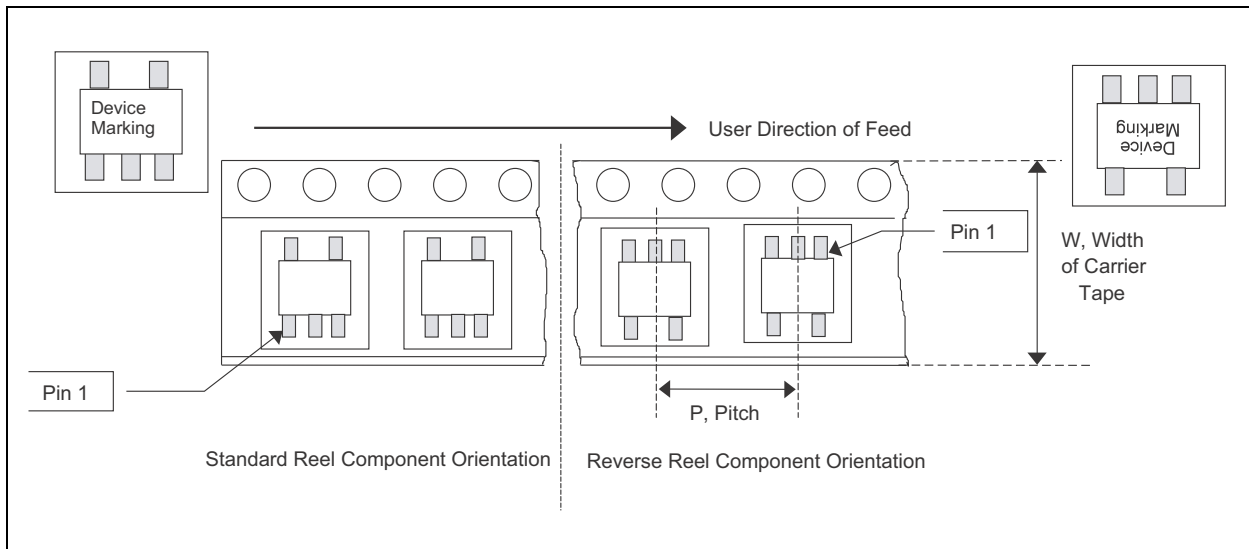
**FIGURE 8-1: EMBOSSED CARRIER DIMENSIONS (8 MM TAPE ONLY)**



**TABLE 8-1: CARRIER TAPE/CAVITY DIMENSIONS**

| Case Outline | Package Type |    | Carrier Dimensions |      | Cavity Dimensions |       |       | Output Quantity Units | Reel Diameter in mm |
|--------------|--------------|----|--------------------|------|-------------------|-------|-------|-----------------------|---------------------|
|              |              |    | W mm               | P mm | A0 mm             | B0 mm | K0 mm |                       |                     |
| OT           | SOT-23       | 3L | 8                  | 4    | 3.23              | 3.17  | 1.37  | 3000                  | 180                 |

**FIGURE 8-2: 5-LEAD SOT-23 DEVICE TAPE AND REEL SPECIFICATIONS**



## APPENDIX A: REVISION HISTORY

### Revision D (August 2012)

The following is the list of modifications:

1. Updated [Figure 2-22](#) and [Figure 2-23](#).

### Revision C (February 2012)

The following is the list of modifications:

1. Updated package temperature in the [Temperature Characteristics](#) table.
2. Corrected text in [Section 4.0, Operational Description](#).
3. Updated package specification in [Section 8.0, Packaging Information](#) to show all drawings available.
4. Other minor typographical corrections.

### Revision B (October 2007)

The following is the list of modifications:

1. Clarified that devices with a Voltage Trip Point  $\leq 2.4V$  are tested from  $-40^{\circ}C$  to  $+85^{\circ}C$ . Devices with a Voltage Trip Point  $\geq 2.5V$  are tested from  $-40^{\circ}C$  to  $+125^{\circ}C$ .

### Revision A (November 2005)

- Original Release of this Document.

# MCP131X/2X

---

NOTES:



## PRODUCT IDENTIFICATION SYSTEM

To order or obtain information, e.g., on pricing or delivery, refer to the factory or the listed sales office.

| <u>PART NO.</u>                              | X   | XX                        | X  | X   | / | XX                  |   |
|--|---|---------------------------|--|---|---|---------------------|---|
| Device                                       | Tape/Reel Option  | V <sub>TRIP</sub> Options | Time-Out Options   | Temperature Range   |   | Package             |   |
| <b>Device:</b>                               |   |                           |  |   |   |                     |   |
| MCP1316T:                                    |   |                           |  |   |   |                     | MicroPower Voltage Detector (Tape and Reel) |
| MCP1316MT:                                   |   |                           |  |   |   |                     | MicroPower Voltage Detector (Tape and Reel) |
| MCP1317T:                                    |   |                           |  |   |   |                     | MicroPower Voltage Detector (Tape and Reel) |
| MCP1318T:                                    |   |                           |  |   |   |                     | MicroPower Voltage Detector (Tape and Reel) |
| MCP1318MT:                                   |   |                           |  |   |   |                     | MicroPower Voltage Detector (Tape and Reel) |
| MCP1319T:                                    |   |                           |  |   |   |                     | MicroPower Voltage Detector (Tape and Reel) |
| MCP1319MT:                                   |   |                           |  |   |   |                     | MicroPower Voltage Detector (Tape and Reel) |
| MCP1320T:                                    |   |                           |  |   |   |                     | MicroPower Voltage Detector (Tape and Reel) |
| MCP1321T:                                    |   |                           |  |   |   |                     | MicroPower Voltage Detector (Tape and Reel) |
| MCP1322T:                                    |   |                           |  |   |   |                     | MicroPower Voltage Detector (Tape and Reel) |
| <b>V<sub>TRIP</sub> Options:</b><br>(Note 1) |   | 29 = 2.90V<br>46 = 4.60V  |  |   |   |                     |   |
| <b>Time-Out Options:</b><br>(Note 1)         |   |                           | L = t <sub>RST</sub> = 200 ms (typ.),<br>t <sub>WDT</sub> = 1.6 s (typ.) |   |   |                     |   |
| <b>Temperature Range:</b>                    |   |                           |  | I = -40°C to +85°C<br>(Only for trip points 2.0V to 2.4V)<br>E = -40°C to +125°C<br>(For trip point ≥ 2.5V) |   |                     |   |
| <b>Package:</b>                              |   |                           |  |   |   | OT = SOT-23, 5-lead |   |
| <b>Note 1:</b>                               | Custom ordered voltage trip points and time outs available. Please contact your local Microchip sales office for additional information. Minimum purchase volumes are required. |                           |  |   |   |                     |   |

### Examples:

- a) MCP1316T-29LE/OT: 5-Lead SOT-23-5
- b) MCP1316T-46LE/OT: 5-Lead SOT-23-5
- c) MCP1316MT-29LE/OT: 5-Lead SOT-23-5
- d) MCP1316MT-46LE/OT: 5-Lead SOT-23-5
  
- a) MCP1317T-29LE/OT: 5-Lead SOT-23-5
- b) MCP1317T-46LE/OT: 5-Lead SOT-23-5
  
- a) MCP1318T-29LE/OT: 5-Lead SOT-23-5
- b) MCP1318MT-29LE/OT: 5-Lead SOT-23-5
- c) MCP1318T-46LE/OT: 5-Lead SOT-23-5
- d) MCP1318MT-46LE/OT: 5-Lead SOT-23-5
  
- a) MCP1319T-29LE/OT: 5-Lead SOT-23-5
- b) MCP1318MT-29LE/OT: 5-Lead SOT-23-5
- c) MCP1319T-46LE/OT: 5-Lead SOT-23-5
- d) MCP1318MT-46LE/OT: 5-Lead SOT-23-5
  
- a) MCP1320T-29LE/OT: 5-Lead SOT-23-5
- b) MCP1320T-46LE/OT: 5-Lead SOT-23-5
  
- a) MCP1321T-29LE/OT: 5-Lead SOT-23-5
- b) MCP1321T-46LE/OT: 5-Lead SOT-23-5
  
- a) MCP1322T-29LE/OT: 5-Lead SOT-23-5
- b) MCP1322T-46LE/OT: 5-Lead SOT-23-5

# MCP131X/2X

---

NOTES:

---

**Note the following details of the code protection feature on Microchip devices:**

- Microchip products meet the specification contained in their particular Microchip Data Sheet.
- Microchip believes that its family of products is one of the most secure families of its kind on the market today, when used in the intended manner and under normal conditions.
- There are dishonest and possibly illegal methods used to breach the code protection feature. All of these methods, to our knowledge, require using the Microchip products in a manner outside the operating specifications contained in Microchip's Data Sheets. Most likely, the person doing so is engaged in theft of intellectual property.
- Microchip is willing to work with the customer who is concerned about the integrity of their code.
- Neither Microchip nor any other semiconductor manufacturer can guarantee the security of their code. Code protection does not mean that we are guaranteeing the product as “unbreakable.”

Code protection is constantly evolving. We at Microchip are committed to continuously improving the code protection features of our products. Attempts to break Microchip's code protection feature may be a violation of the Digital Millennium Copyright Act. If such acts allow unauthorized access to your software or other copyrighted work, you may have a right to sue for relief under that Act.

---

Information contained in this publication regarding device applications and the like is provided only for your convenience and may be superseded by updates. It is your responsibility to ensure that your application meets with your specifications. MICROCHIP MAKES NO REPRESENTATIONS OR WARRANTIES OF ANY KIND WHETHER EXPRESS OR IMPLIED, WRITTEN OR ORAL, STATUTORY OR OTHERWISE, RELATED TO THE INFORMATION, INCLUDING BUT NOT LIMITED TO ITS CONDITION, QUALITY, PERFORMANCE, MERCHANTABILITY OR FITNESS FOR PURPOSE. Microchip disclaims all liability arising from this information and its use. Use of Microchip devices in life support and/or safety applications is entirely at the buyer's risk, and the buyer agrees to defend, indemnify and hold harmless Microchip from any and all damages, claims, suits, or expenses resulting from such use. No licenses are conveyed, implicitly or otherwise, under any Microchip intellectual property rights.

**Trademarks**

The Microchip name and logo, the Microchip logo, dsPIC, KEELOQ, KEELOQ logo, MPLAB, PIC, PICmicro, PICSTART, PIC<sup>32</sup> logo, rPIC and UNI/O are registered trademarks of Microchip Technology Incorporated in the U.S.A. and other countries.

FilterLab, Hampshire, HI-TECH C, Linear Active Thermistor, MXDEV, MXLAB, SEEVAL and The Embedded Control Solutions Company are registered trademarks of Microchip Technology Incorporated in the U.S.A.

Analog-for-the-Digital Age, Application Maestro, BodyCom, chipKIT, chipKIT logo, CodeGuard, dsPICDEM, dsPICDEM.net, dsPICworks, dsSPEAK, ECAN, ECONOMONITOR, FanSense, HI-TIDE, In-Circuit Serial Programming, ICSP, Mindi, MiWi, MPASM, MPLAB Certified logo, MPLIB, MPLINK, mTouch, Omniscient Code Generation, PICC, PICC-18, PICDEM, PICDEM.net, PICKit, PICTail, REAL ICE, rLAB, Select Mode, Total Endurance, TSHARC, UniWinDriver, WiperLock and ZENA are trademarks of Microchip Technology Incorporated in the U.S.A. and other countries.

SQTP is a service mark of Microchip Technology Incorporated in the U.S.A.

All other trademarks mentioned herein are property of their respective companies.

© 2012, Microchip Technology Incorporated, Printed in the U.S.A., All Rights Reserved.

 Printed on recycled paper.

ISBN: 978-1-62076-513-5

**QUALITY MANAGEMENT SYSTEM**  
**CERTIFIED BY DNV**  
**== ISO/TS 16949 ==**

*Microchip received ISO/TS-16949:2009 certification for its worldwide headquarters, design and wafer fabrication facilities in Chandler and Tempe, Arizona; Gresham, Oregon and design centers in California and India. The Company's quality system processes and procedures are for its PIC<sup>®</sup> MCUs and dsPIC<sup>®</sup> DSCs, KEELOQ<sup>®</sup> code hopping devices, Serial EEPROMs, microperipherals, nonvolatile memory and analog products. In addition, Microchip's quality system for the design and manufacture of development systems is ISO 9001:2000 certified.*



# MICROCHIP

## Worldwide Sales and Service

### AMERICAS

**Corporate Office**  
2355 West Chandler Blvd.  
Chandler, AZ 85224-6199  
Tel: 480-792-7200  
Fax: 480-792-7277  
Technical Support:  
<http://www.microchip.com/support>  
Web Address:  
[www.microchip.com](http://www.microchip.com)

**Atlanta**  
Duluth, GA  
Tel: 678-957-9614  
Fax: 678-957-1455

**Boston**  
Westborough, MA  
Tel: 774-760-0087  
Fax: 774-760-0088

**Chicago**  
Itasca, IL  
Tel: 630-285-0071  
Fax: 630-285-0075

**Cleveland**  
Independence, OH  
Tel: 216-447-0464  
Fax: 216-447-0643

**Dallas**  
Addison, TX  
Tel: 972-818-7423  
Fax: 972-818-2924

**Detroit**  
Farmington Hills, MI  
Tel: 248-538-2250  
Fax: 248-538-2260

**Indianapolis**  
Noblesville, IN  
Tel: 317-773-8323  
Fax: 317-773-5453

**Los Angeles**  
Mission Viejo, CA  
Tel: 949-462-9523  
Fax: 949-462-9608

**Santa Clara**  
Santa Clara, CA  
Tel: 408-961-6444  
Fax: 408-961-6445

**Toronto**  
Mississauga, Ontario,  
Canada  
Tel: 905-673-0699  
Fax: 905-673-6509

### ASIA/PACIFIC

**Asia Pacific Office**  
Suites 3707-14, 37th Floor  
Tower 6, The Gateway  
Harbour City, Kowloon  
Hong Kong  
Tel: 852-2401-1200  
Fax: 852-2401-3431

**Australia - Sydney**  
Tel: 61-2-9868-6733  
Fax: 61-2-9868-6755

**China - Beijing**  
Tel: 86-10-8569-7000  
Fax: 86-10-8528-2104

**China - Chengdu**  
Tel: 86-28-8665-5511  
Fax: 86-28-8665-7889

**China - Chongqing**  
Tel: 86-23-8980-9588  
Fax: 86-23-8980-9500

**China - Hangzhou**  
Tel: 86-571-2819-3187  
Fax: 86-571-2819-3189

**China - Hong Kong SAR**  
Tel: 852-2401-1200  
Fax: 852-2401-3431

**China - Nanjing**  
Tel: 86-25-8473-2460  
Fax: 86-25-8473-2470

**China - Qingdao**  
Tel: 86-532-8502-7355  
Fax: 86-532-8502-7205

**China - Shanghai**  
Tel: 86-21-5407-5533  
Fax: 86-21-5407-5066

**China - Shenyang**  
Tel: 86-24-2334-2829  
Fax: 86-24-2334-2393

**China - Shenzhen**  
Tel: 86-755-8203-2660  
Fax: 86-755-8203-1760

**China - Wuhan**  
Tel: 86-27-5980-5300  
Fax: 86-27-5980-5118

**China - Xian**  
Tel: 86-29-8833-7252  
Fax: 86-29-8833-7256

**China - Xiamen**  
Tel: 86-592-2388138  
Fax: 86-592-2388130

**China - Zhuhai**  
Tel: 86-756-3210040  
Fax: 86-756-3210049

### ASIA/PACIFIC

**India - Bangalore**  
Tel: 91-80-3090-4444  
Fax: 91-80-3090-4123

**India - New Delhi**  
Tel: 91-11-4160-8631  
Fax: 91-11-4160-8632

**India - Pune**  
Tel: 91-20-2566-1512  
Fax: 91-20-2566-1513

**Japan - Osaka**  
Tel: 81-66-152-7160  
Fax: 81-66-152-9310

**Japan - Yokohama**  
Tel: 81-45-471-6166  
Fax: 81-45-471-6122

**Korea - Daegu**  
Tel: 82-53-744-4301  
Fax: 82-53-744-4302

**Korea - Seoul**  
Tel: 82-2-554-7200  
Fax: 82-2-558-5932 or  
82-2-558-5934

**Malaysia - Kuala Lumpur**  
Tel: 60-3-6201-9857  
Fax: 60-3-6201-9859

**Malaysia - Penang**  
Tel: 60-4-227-8870  
Fax: 60-4-227-4068

**Philippines - Manila**  
Tel: 63-2-634-9065  
Fax: 63-2-634-9069

**Singapore**  
Tel: 65-6334-8870  
Fax: 65-6334-8850

**Taiwan - Hsin Chu**  
Tel: 886-3-5778-366  
Fax: 886-3-5770-955

**Taiwan - Kaohsiung**  
Tel: 886-7-536-4818  
Fax: 886-7-330-9305

**Taiwan - Taipei**  
Tel: 886-2-2500-6610  
Fax: 886-2-2508-0102

**Thailand - Bangkok**  
Tel: 66-2-694-1351  
Fax: 66-2-694-1350

### EUROPE

**Austria - Wels**  
Tel: 43-7242-2244-39  
Fax: 43-7242-2244-393

**Denmark - Copenhagen**  
Tel: 45-4450-2828  
Fax: 45-4485-2829

**France - Paris**  
Tel: 33-1-69-53-63-20  
Fax: 33-1-69-30-90-79

**Germany - Munich**  
Tel: 49-89-627-144-0  
Fax: 49-89-627-144-44

**Italy - Milan**  
Tel: 39-0331-742611  
Fax: 39-0331-466781

**Netherlands - Drunen**  
Tel: 31-416-690399  
Fax: 31-416-690340

**Spain - Madrid**  
Tel: 34-91-708-08-90  
Fax: 34-91-708-08-91

**UK - Wokingham**  
Tel: 44-118-921-5869  
Fax: 44-118-921-5820

11/29/11



Компания «ЭлектроПласт» предлагает заключение долгосрочных отношений при поставках импортных электронных компонентов на взаимовыгодных условиях!

Наши преимущества:

- Оперативные поставки широкого спектра электронных компонентов отечественного и импортного производства напрямую от производителей и с крупнейших мировых складов;
- Поставка более 17-ти миллионов наименований электронных компонентов;
- Поставка сложных, дефицитных, либо снятых с производства позиций;
- Оперативные сроки поставки под заказ (от 5 рабочих дней);
- Экспресс доставка в любую точку России;
- Техническая поддержка проекта, помощь в подборе аналогов, поставка прототипов;
- Система менеджмента качества сертифицирована по Международному стандарту ISO 9001;
- Лицензия ФСБ на осуществление работ с использованием сведений, составляющих государственную тайну;
- Поставка специализированных компонентов (Xilinx, Altera, Analog Devices, Intersil, Interpoint, Microsemi, Aeroflex, Peregrine, Syfer, Eurofarad, Texas Instrument, Miteq, Cobham, E2V, MA-COM, Hittite, Mini-Circuits, General Dynamics и др.);

Помимо этого, одним из направлений компании «ЭлектроПласт» является направление «Источники питания». Мы предлагаем Вам помощь Конструкторского отдела:

- Подбор оптимального решения, техническое обоснование при выборе компонента;
- Подбор аналогов;
- Консультации по применению компонента;
- Поставка образцов и прототипов;
- Техническая поддержка проекта;
- Защита от снятия компонента с производства.



#### Как с нами связаться

**Телефон:** 8 (812) 309 58 32 (многоканальный)

**Факс:** 8 (812) 320-02-42

**Электронная почта:** [org@eplast1.ru](mailto:org@eplast1.ru)

**Адрес:** 198099, г. Санкт-Петербург, ул. Калинина, дом 2, корпус 4, литера А.