

Ordering a market-ready enclosure® is made fast and affordable with our complete in-house capabilities. New Age provides machined openings to fit your PCB, pad printing for your graphics, custom enclosures, custom colors, final assembly, testing and fulfillment services to save you additional time and money. Ask your representative for a free quote today 805-595-1310.

Fast and Affordable Customization

**CNC Modifications
Pad Printing
Colored Resins
EMI/RF Shielding
Custom Enclosure
Assembly & Testing**



ISO quality
off-the-shelf
to market-ready®

NEW AGE ENCLOSURES

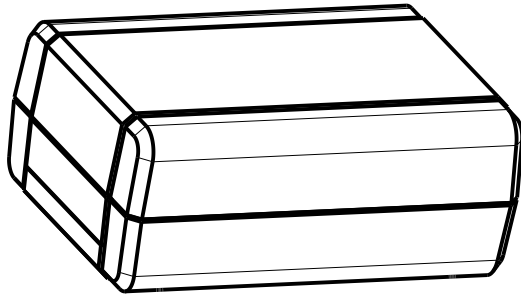
www.NewAgeEnclosures.com

4330 Santa Fe Road • San Luis Obispo, CA 93401 • T 805.595.1310 • F 805.595.1024

NOTES: UNLESS OTHERWISE SPECIFIED

- CORNERS DRAWN SHARP TO BE R.005 MAXIMUM.
- EXTERIOR SURFACE TEXTURE TO BE LIGHT EDM FINISH. EQUIVALENT TO MT-11010.
- INTERIOR SURFACE TEXTURE TO BE: NONE.
- ALL INSIDE RADII .010R. ALL OUTSIDE RADII .020R MAX, UNLESS OTHERWISE SPECIFIED.
- ALL EXTERNAL DIMENSIONS AFFECTED BY THE DRAFT APPLY AT THE LARGE END OF THE FEATURE, AND ALL INTERNAL FEATURES AFFECTED BY THE DRAFT APPLY AT THE SMALL END OF THE FEATURE UNLESS OTHERWISE SPECIFIED.
- 1 DEGREE DRAFT IN THE DIRECTION OF PULL IS PERMISSIBLE UNLESS OTHERWISE SPECIFIED.
- ASSEMBLY SCREWS FOR THE ENCLOSURE INCLUDED.
- MATERIAL / COLOR: ABS PLASTIC IS STANDARD IN BLACK OR WHITE. CUSTOM MATERIALS AND COLORS ARE AVAILABLE UPON REQUEST FOR QUOTE.
- PCB SIZES ARE RECOMMENDATIONS ONLY. FINAL SIZES AND VERIFICATION OF ITS FIT ARE THE SOLE RESPONSIBILITY OF EACH CUSTOMER.

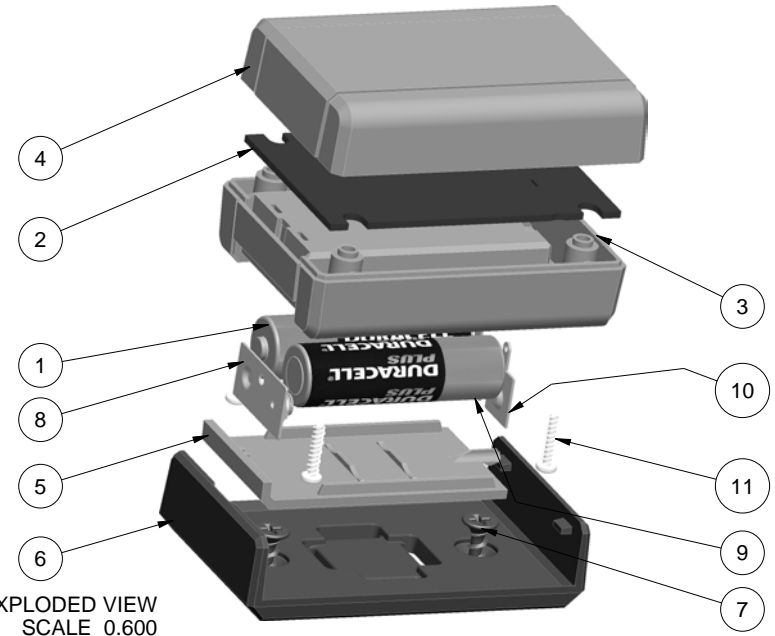
S302112(x) CONFIGURATIONS					
	-Blank	-T	-K	-TK	-WP
302112 COVER	1		1		
302112T COVER		1		1	
302112 BASE	1	1			
302112 MACHINED BASE			1	1	
302112 HATCH	1	1	1	1	
302112 WALL CRADLE			1	1	1
#4 HiLo SCREW .500"	4	4	4	4	



302112 STANDARD SCALE 0.750

R E V I S I O N

REV.	DRAWN BY	ECO No	DESCRIPTION	DATE	APPROVED
A	M BOYER		PRELIMINARY RELEASE	21-Nov-09	D.C.
H	M BOYER		ADD RIBS AFTER REVIEW 7-12-10	13-Jul-10	D.C.
1.0	M BOYER		RELEASED BY CUSTOMER	21-Jul-10	D.C.
2.0	M BOYER	3810	ADJUST PCB INFO AND PCB POSTS	28-Sep-10	D.C.
2.1	M BOYER	3810	UNAPPROVED REV 2.0, UPDATE FORMAT	30-Sep-10	D.C.
3.0	R CRUZ	7613	ADD "TALL" CONFIGURATION	18-Oct-13	D.C.
4.0	M BOYER	8613	INCLUDE WALL CRADLE OPTION	16-Dec-13	D.C.
5.0	R CRUZ	2214	UPDATE CONFIGURATION TABLE	19-May-14	D.C.
5.1	R CRUZ	5014	REMOVE SCREW HOLE ON CRADLE, "TALL" CONFIGURATION	26-Nov-14	D.C.
6.0	M BOYER	00615	INCLUDE KEEP OUT ZONE AND ADD NOTCHES TO PCB	23-Jan-15	



EXPLODED VIEW SCALE 0.600

ITEM	FILE NAME	DESCRIPTION	MATERIAL	COLOR	QTY.
11	SCREW_HILO-N04X500	#4 HiLo x .500" SCREW	STEEL	ZINK PLATED	4
10	AA-SINGL-CONTACT-POS	ACC-AAPOS-5223	SPRING STEEL	SOLD SEPERATELY	1
9	AA-SINGL-CONTACT-NEG	ACC-AANEG-5201	SPRING STEEL	SOLD SEPERATELY	1
8	AA-DBL-CONTACT	ACC-AADBL-5212	SPRING STEEL	SOLD SEPERATELY	1
7	SCREW-DRYWALLX750	DRYWALL SCREW - REFERENCE	CUSTOMER SUPPLIED	DRYWALL SCREW	2
6	302112_WALL-CRADLE	302112 WALL CRADLE - STANDARD	ABS	BLACK or WHITE	1
5	302112_HATCH	302112 HATCH - STANDARD	ABS	BLACK or WHITE	1
4	302112_COVER	302112 COVER - STANDARD	ABS	BLACK or WHITE	1
3	302112_BASE	302112 BASE - STANDARD	ABS	BLACK or WHITE	1
2	302112_PCB	302112 PCB - REFERENCE	CUSTOMER SUPPLIED	.062" THICK	1
1	AA-BATTERY	AA BATTERY - REFERENCE	CUSTOMER SUPPLIED	"AA" SIZE	2

BILL OF MATERIALS

THIRD ANGLE PROJECTION
DO NOT SCALE DRAWING

TOLERANCES: UNLESS OTHERWISE SPECIFIED DIMENSIONS ARE IN U.S. INCHES.
X.XX = .015 X.XXXX = .001
X.XXX = .010 X.X" = 1°

NEW AGE ENCLOSURES

Customer's Part No: 302112

APPROVAL	BY	DATE
CHECK		
ENG.		
SCALE	AS NOTED	

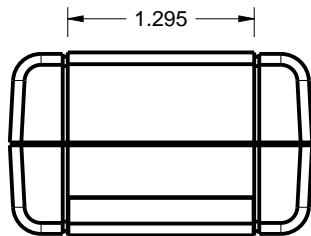
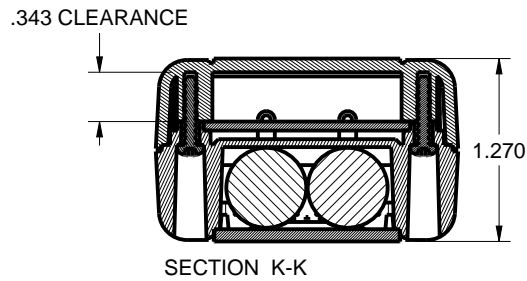
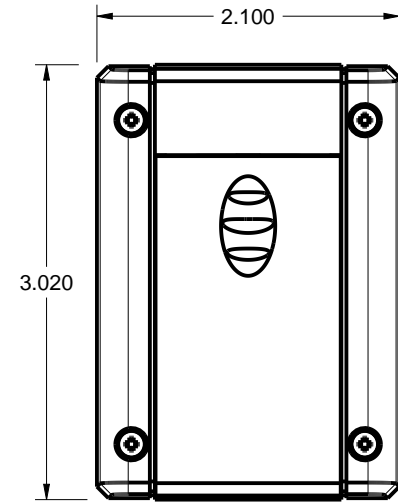
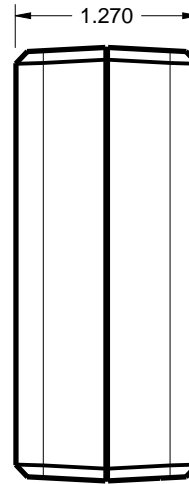
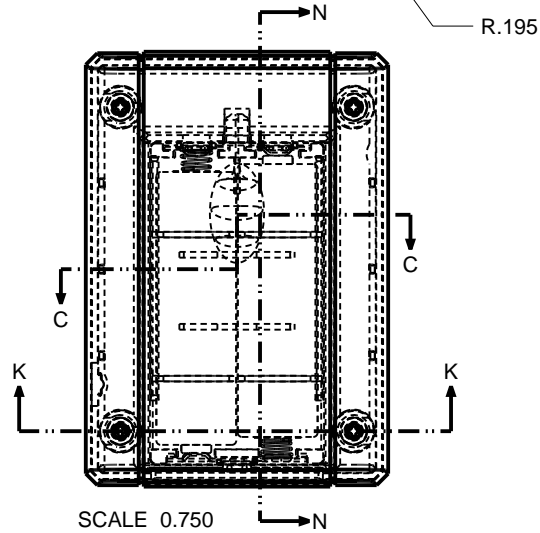
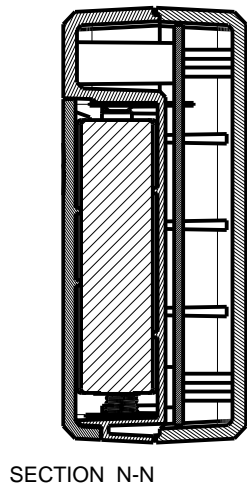
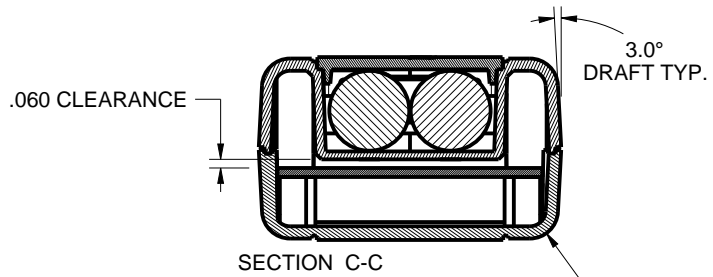
DRAWN BY
M BOYER

21-Nov-09

NEW AGE ENCLOSURES
4330 Santa Fe Road San Luis Obispo, CA. 93401
ph. (805) 595-1310 fax (805) 595-1024
www.newageenclosures.com

STANDARD - MINI AA
SXX-302112X-XXX

SIZE	DRAWING NAME	SHEET	REV.DOC
A	302112_R6_0	1 OF 9	6.0



TOLERANCES: UNLESS OTHERWISE SPECIFIED
DIMENSIONS ARE IN U.S. INCHES.
X.XX = .015 X.XXXX = .001
X.XXX = .010 X.X° = 1°

NEW AGE ENCLOSURES

Customer's Part No: 302112

APPROVAL BY DATE

CHECK

ENG.

SCALE AS NOTED

DRAWN BY M BOYER 21-Nov-09

NEW AGE ENCLOSURES

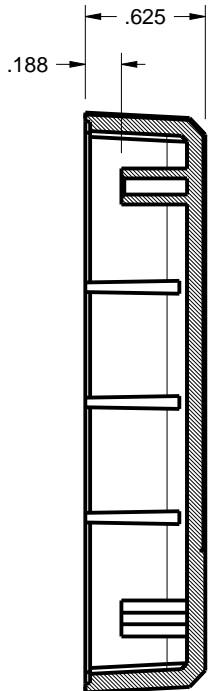
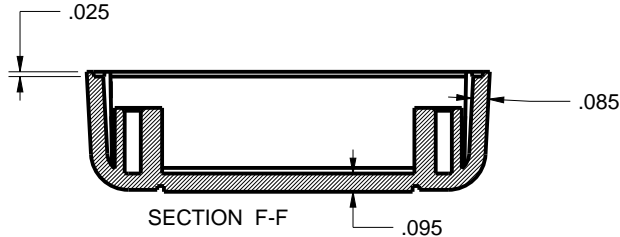
4330 Santa Fe Road San Luis Obispo, CA. 93401
ph. (805) 595-1310 fax (805) 595-1024
www.newageenclosures.com

STANDARD - MINI AA
SXX-302112X-XXX

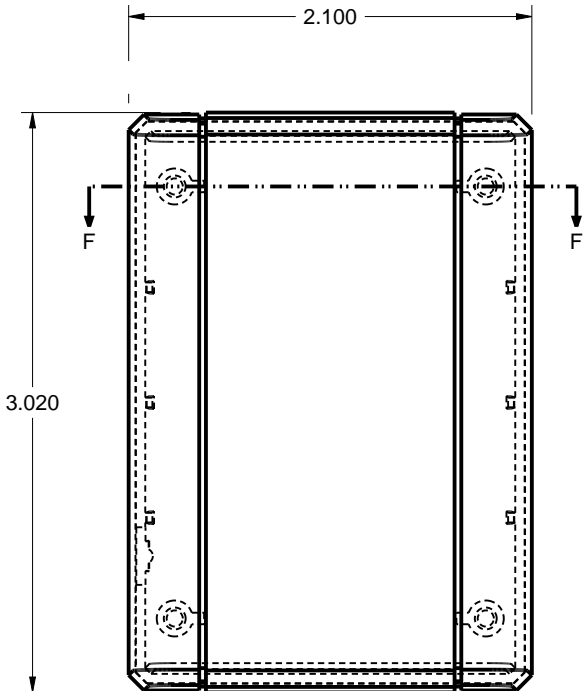
SIZE A DRAWING NAME 302112_R6_0

SHEET 2 OF 9 REV.DOC 6.0

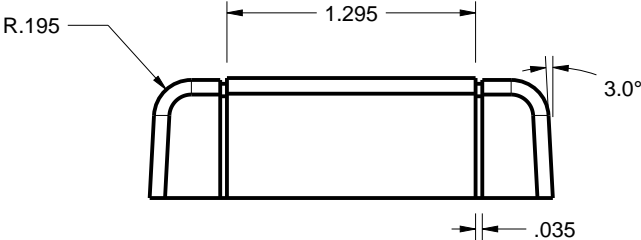
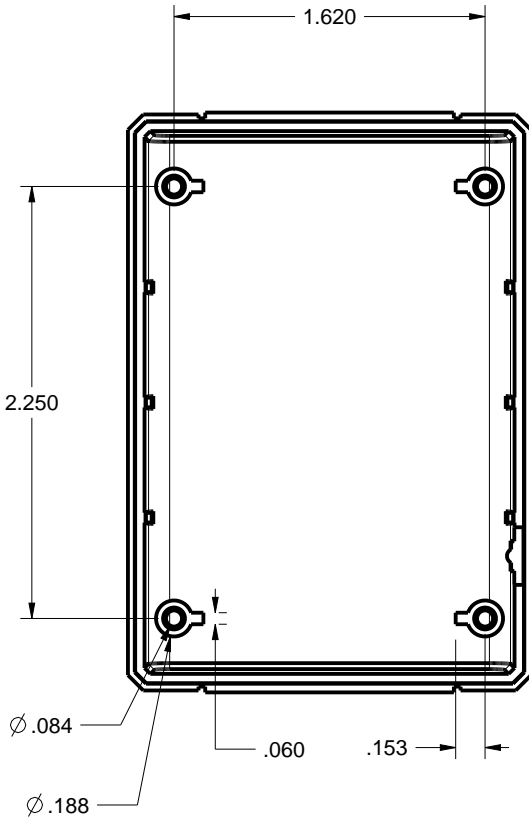
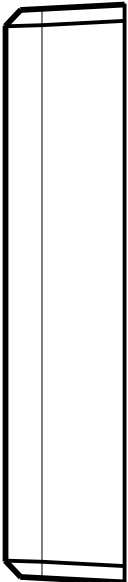
302112 - COVER



302112 STANDARD SECTION D-D



SCALE 1.000



TOLERANCES: UNLESS OTHERWISE SPECIFIED DIMENSIONS ARE IN U.S. INCHES.
 X.XX = .015 X.XXXX = .001
 X.XXX = .010 X.X° = 1°

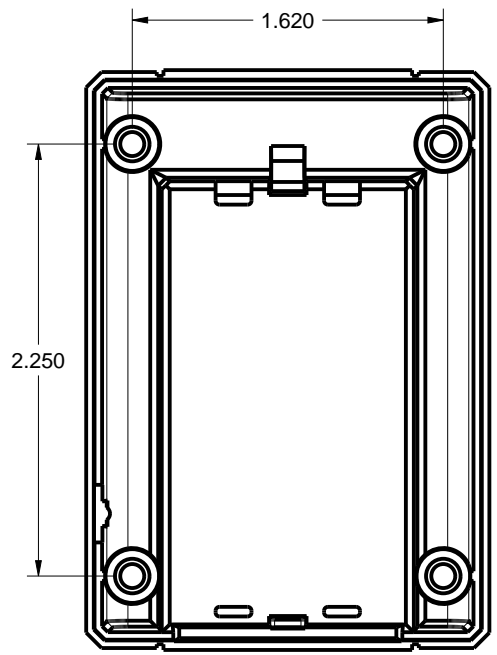
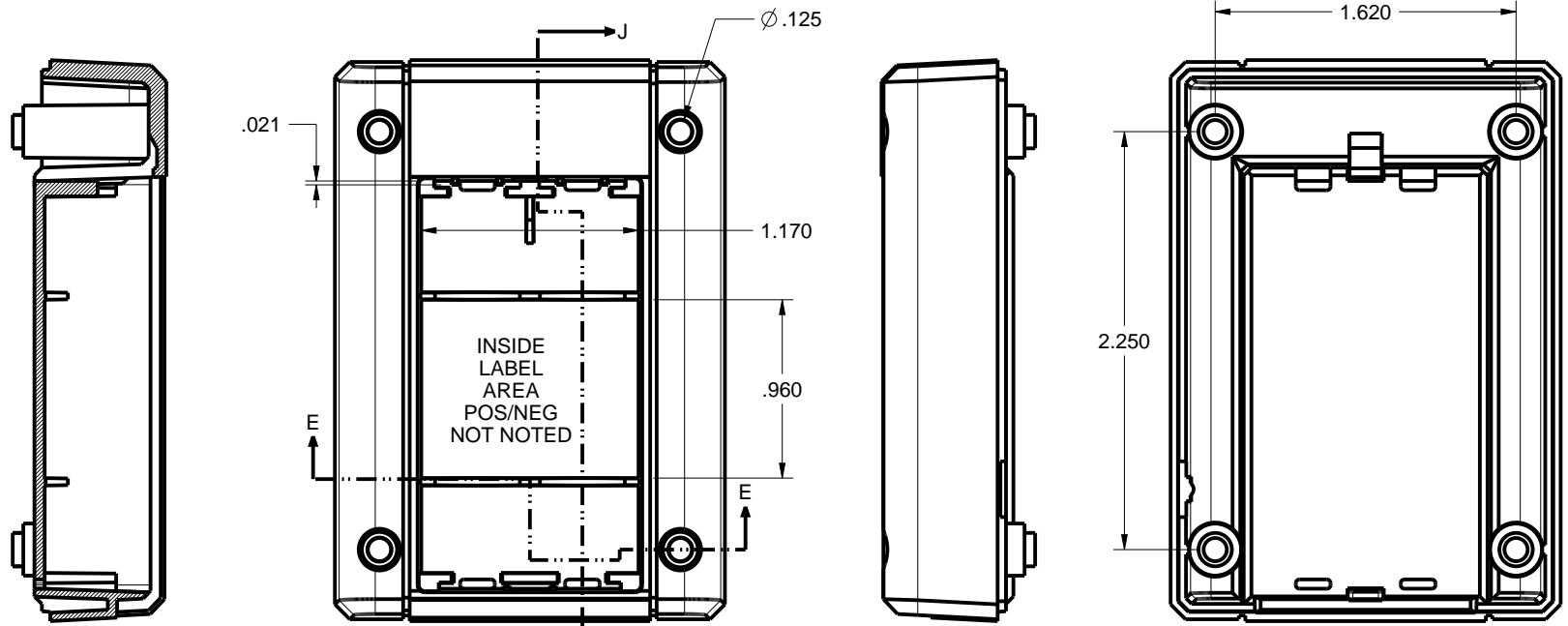
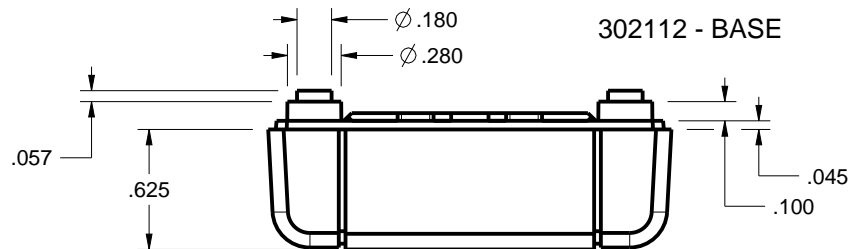
NEW AGE ENCLOSURES
 Customer's Part No: 302112

APPROVAL	BY	DATE
CHECK		
ENG.		
SCALE	AS NOTED	
DRAWN BY	M BOYER	
	21-Nov-09	

NEW AGE ENCLOSURES
 4330 Santa Fe Road San Luis Obispo, CA. 93401
 ph. (805) 595-1310 fax (805) 595-1024
www.newageenclosures.com

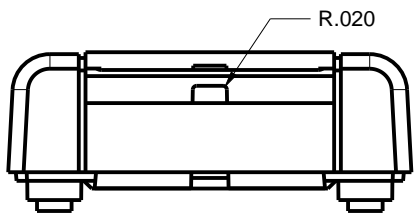
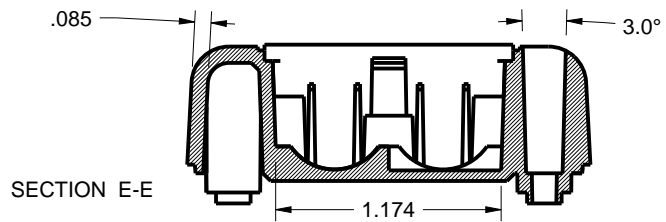
STANDARD - MINI AA
 SXX-302112X-XXX

SIZE	DRAWING NAME	SHEET	REV.DOC
A	302112_R6_0	3 OF 9	6.0



SECTION J-J

SCALE 1.000



TOLERANCES: UNLESS OTHERWISE SPECIFIED
DIMENSIONS ARE IN U.S. INCHES.

X.XX = .015 X.XXXX = .001
X.XXX = .010 X.X° = 1°

NEW AGE ENCLOSURES
Customer's Part No: 302112

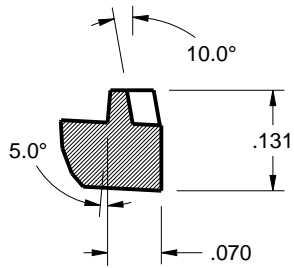
APPROVAL	BY	DATE
CHECK		
ENG.		
SCALE	AS NOTED	
DRAWN BY	M BOYER	
	21-Nov-09	

NEW AGE ENCLOSURES
4330 Santa Fe Road San Luis Obispo, CA. 93401
ph. (805) 595-1310 fax (805) 595-1024
www.newageenclosures.com

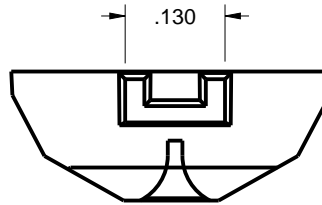
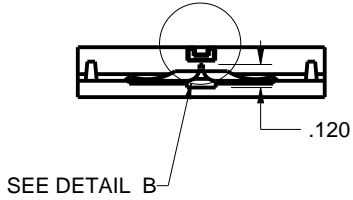
STANDARD - MINI AA
SXX-302112X-XXX

SIZE	DRAWING NAME	SHEET	REV.DOC
A	302112_R6_0	4 OF 9	6.0

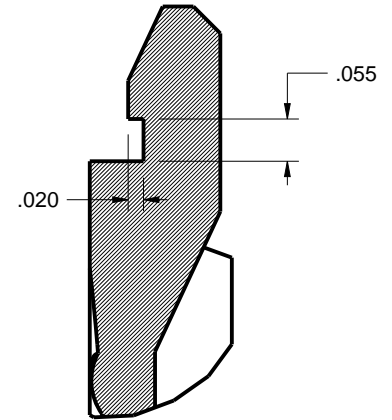
302112 - HATCH



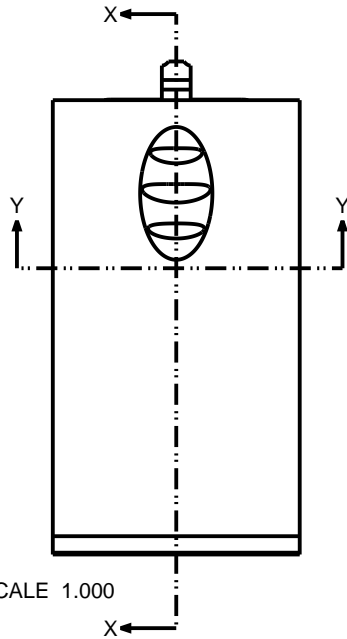
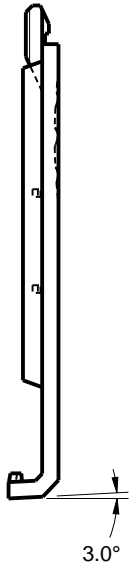
DETAIL C
SCALE 4.000



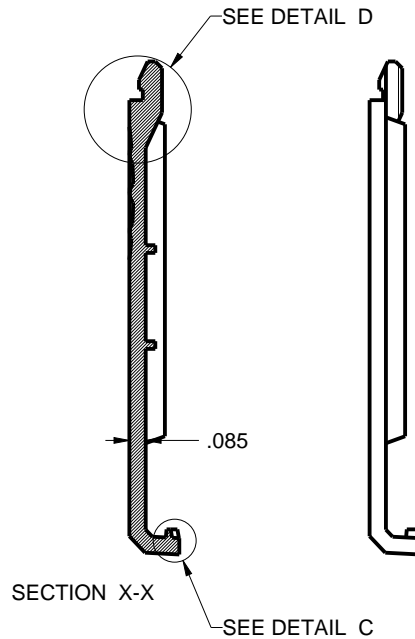
DETAIL B
SCALE 4.000



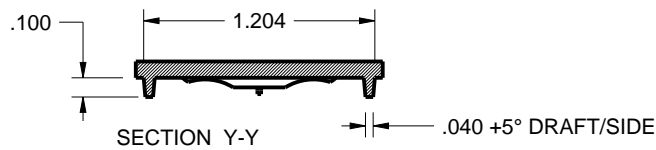
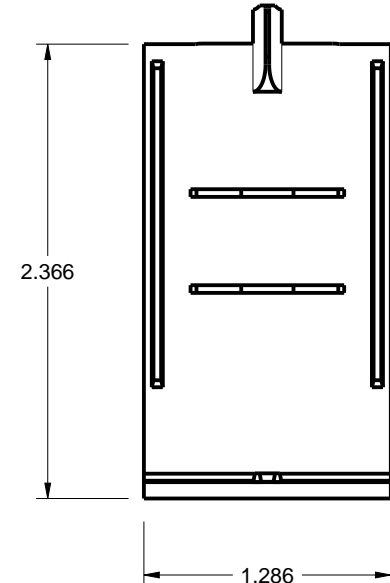
DETAIL D
SCALE 4.000



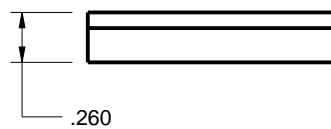
SCALE 1.000



SECTION X-X



SECTION Y-Y

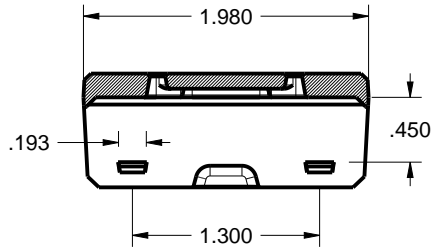


TOLERANCES: UNLESS OTHERWISE SPECIFIED DIMENSIONS ARE IN U.S. INCHES.	
X.XX = .015 X.XXXX = .001	
X.XXX = .010 X.X° = 1°	
NEW AGE ENCLOSURES	
Customer's Part No: 302112	
APPROVAL	BY DATE
CHECK	
ENG.	
SCALE	AS NOTED
DRAWN BY	SIZE
M BOYER	A
21-Nov-09	DRAWING NAME
	302112_R6_0
SHEET	REV.DOC
5 OF 9	6.0

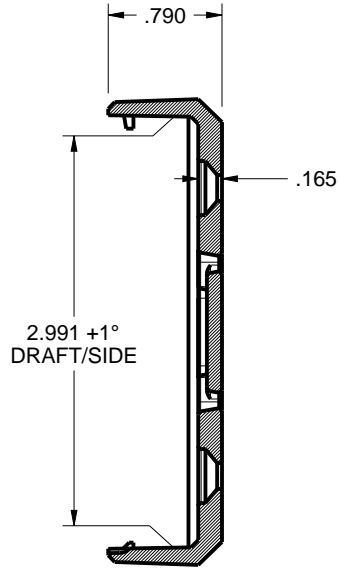
NEW AGE ENCLOSURES
 4330 Santa Fe Road San Luis Obispo, CA. 93401
 ph. (805) 595-1310 fax (805) 595-1024
www.newageenclosures.com

STANDARD - MINI AA
SXX-302112X-XXX

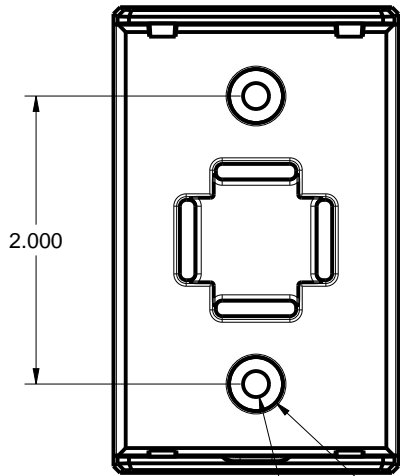
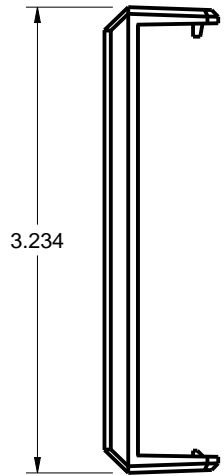
302112 - WALL CRADLE



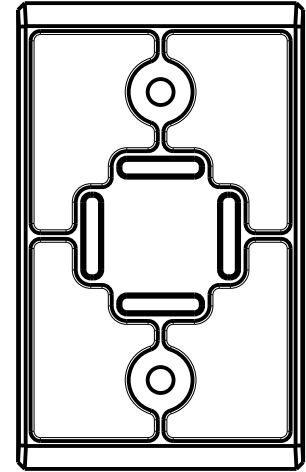
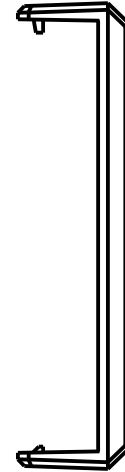
SECTION Y-Y



SECTION X-X

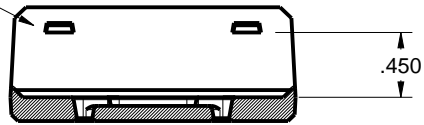


$\phi .180$ $\phi .374$

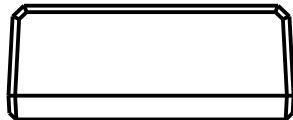


SCALE 0.750

2nd OPERATION REQUIRED
ON 302112 BASE
TO ACCEPT CRADLE TABS



SECTION Y-Y



TOLERANCES: UNLESS OTHERWISE SPECIFIED
DIMENSIONS ARE IN U.S. INCHES.
X.XX = .015 X.XXXX = .001
X.XXX = .010 X.X° = 1°

NEW AGE ENCLOSURES
4330 Santa Fe Road San Luis Obispo, CA. 93401
ph. (805) 595-1310 fax (805) 595-1024

Customer's Part No: 302112

www.newageenclosures.com

APPROVAL	BY	DATE
CHECK		
ENG.		
SCALE	AS NOTED	

STANDARD - MINI AA
SXX-302112X-XXX

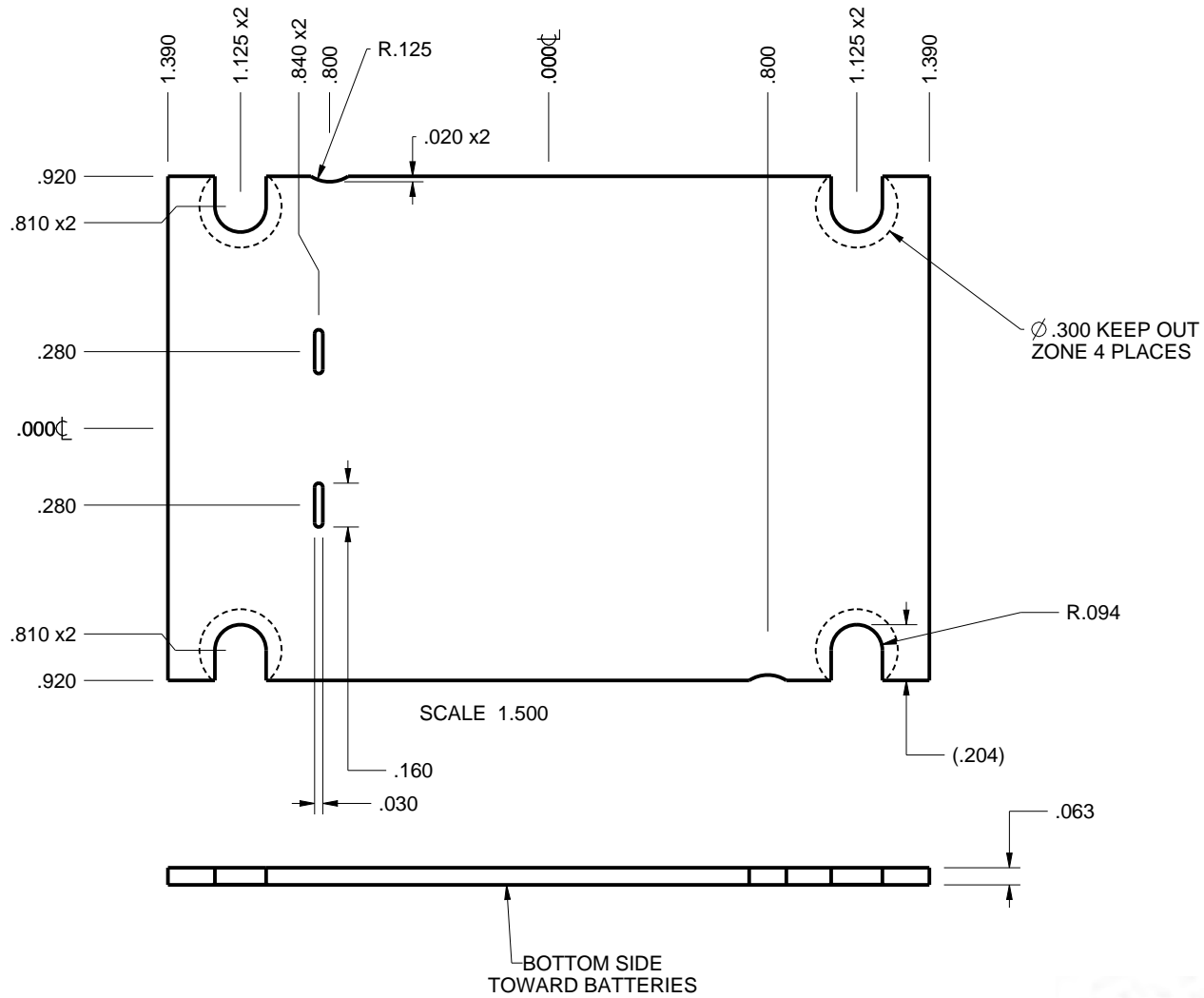
DRAWN BY
M BOYER 21-Nov-09

SIZE A DRAWING NAME
302112_R6_0

SHEET 6 OF 9 REV.DOC 6.0

302112 - PCB

PCB SIZES ARE RECOMMENDATIONS ONLY. FINAL SIZES AND VERIFICATION OF ITS FIT ARE THE SOLE RESPONSIBILITY OF THE OEM.



TOLERANCES: UNLESS OTHERWISE SPECIFIED DIMENSIONS ARE IN U.S. INCHES.
 X.XX = .015 X.XXXX = .001
 X.XXX = .010 X.X° = 1°

NEW AGE ENCLOSURES
 Customer's Part No: 302112

APPROVAL	BY	DATE
CHECK		
ENG.		
SCALE	AS NOTED	

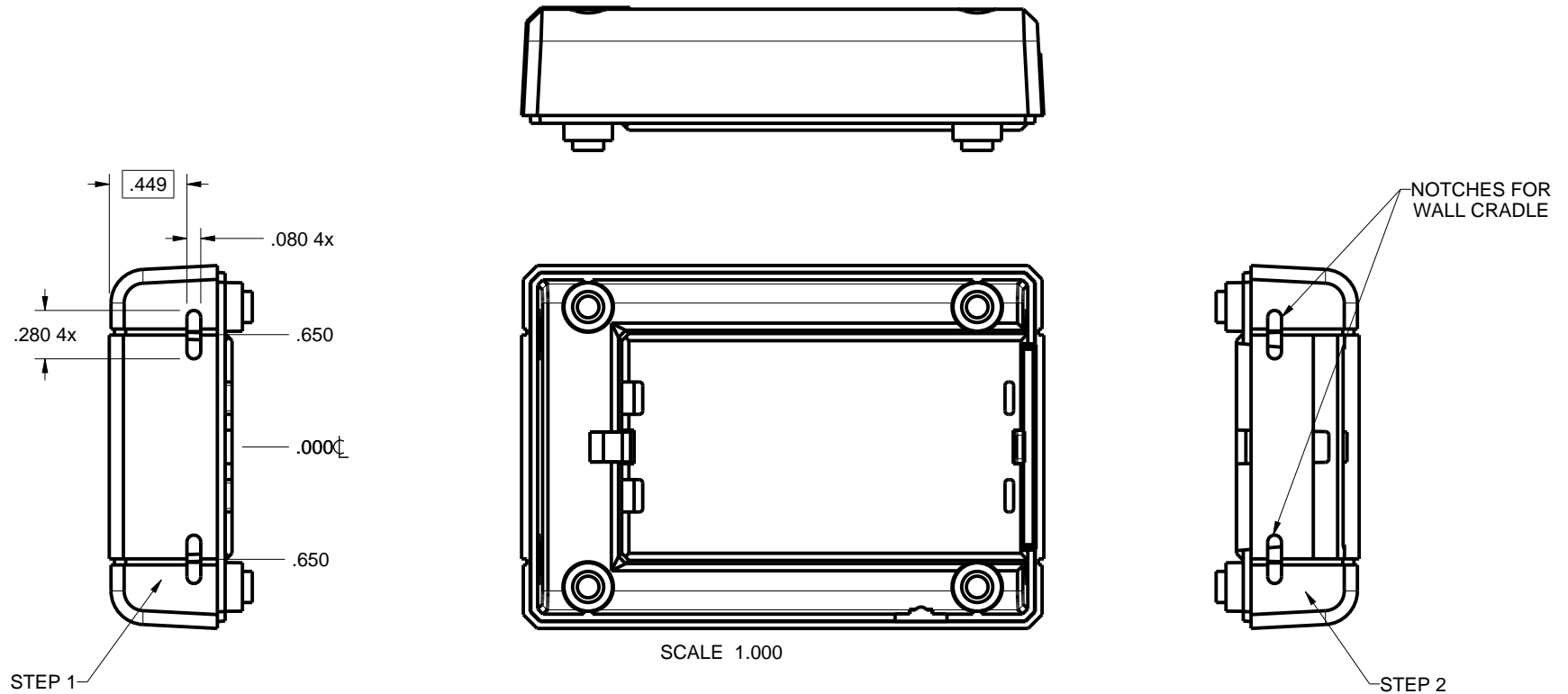
DRAWN BY	21-Nov-09
M BOYER	

NEW AGE ENCLOSURES
 4330 Santa Fe Road San Luis Obispo, CA. 93401
 ph. (805) 595-1310 fax (805) 595-1024
www.newageenclosures.com

STANDARD - MINI AA
 SXX-302112X-XXX

SIZE	DRAWING NAME	SHEET	REV.DOC
A	302112_R6_0	7 OF 9	6.0

2nd OPERATION DETAILS - Page 1 of 2
 NEW AGE ENCLOSURES DELIVERS YOUR ENCLOSURE MARKET-READY WITH IN-HOUSE
 CNC MACHINING, PAD PRINTING, ASSEMBLY, AND FULFILLMENT.
 ALL SURFACES AND AREAS ARE AVAILABLE FOR CNC ALTERATION BY NEW AGE ENCLOSURES
 CALL (805) 595-1310 FOR PRICING AND SCHEDULE.
 THE INSIDE RADIUS OF ANY MACHINED FEATURES SHOULD BE NO SMALLER THAN .031"



TOLERANCES: UNLESS OTHERWISE SPECIFIED
 DIMENSIONS ARE IN U.S. INCHES.
 X.XX = .015 X.XXXX = .001
 X.XXX = .010 X.X° = 1°

NEW AGE ENCLOSURES
 4330 Santa Fe Road San Luis Obispo, CA. 93401
 ph. (805) 595-1310 fax (805) 595-1024

Customer's Part No: 302112

www.newageenclosures.com

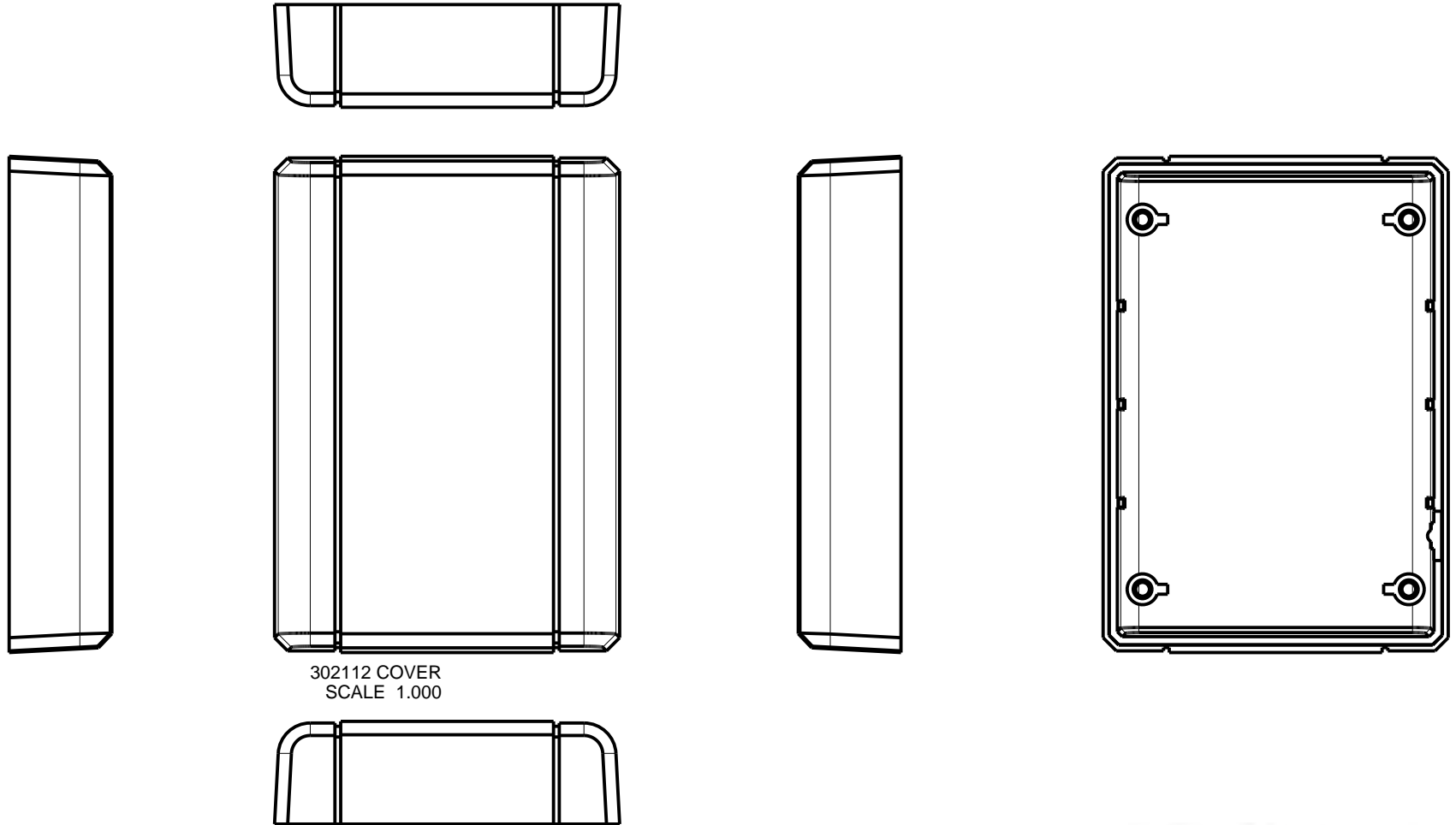
SXX-302112X-XXX BASE - ABS, BLACK					
STEP NO	DESCRIPTION	CUTTER	FIXTURE	ORIENTATION	PROGRAM
1-C-C1	CRADLE NOTCHES	T2 = .062" EM	193	SINGLE	-
2-C-C2	CRADLE NOTCHES	T2 = .062" EM	193	SINGLE	-

APPROVAL	BY	DATE
CHECK		
ENG.		
SCALE	AS NOTED	
DRAWN BY	21-Nov-09	
M BOYER		

STANDARD - MINI AA		SHEET	REV.DOC
SXX-302112X-XXX		8 OF 9	6.0
SIZE	DRAWING NAME		
A	302112_R6_0		

2nd OPERATION DETAILS - Page 2 of 2

NEW AGE ENCLOSURES DELIVERS YOUR ENCLOSURE MARKET-READY WITH IN-HOUSE
 CNC MACHINING, PAD PRINTING, ASSEMBLY, AND FULFILLEMENT.
 ALL SURFACES AND AREAS ARE AVAILABLE FOR CNC ALTERATION BY NEW AGE ENCLOSURES
 CALL (805) 595-1310 FOR PRICING AND SCHEDULE.
 THE INSIDE RADIUS OF ANY MACHINED FEATURES SHOULD BE NO SMALLER THAN .031"



302112 COVER
 SCALE 1.000

TOLERANCES: UNLESS OTHERWISE SPECIFIED
 DIMENSIONS ARE IN U.S. INCHES.
 X.XX = .015 X.XXXX = .001
 X.XXX = .010 X.X° = 1°

NEW AGE ENCLOSURES

4330 Santa Fe Road San Luis Obispo, CA. 93401
 ph. (805) 595-1310 fax (805) 595-1024

www.newageenclosures.com

Customer's Part No: 302112

APPROVAL BY DATE

CHECK

ENG.

SCALE AS NOTED

DRAWN BY M BOYER 21-Nov-09

STANDARD - MINI AA
 SXX-302112X-XXX

SIZE A DRAWING NAME 302112_R6_0

SHEET 9 OF 9 REV.DOC 6.0

SXX-302112X-XXX COVER - ABS, BLACK

STEP NO	DESCRIPTION	CUTTER	FIXTURE	ORIENTATION	PROGRAM
1-C-C1	-	T2 = .062" EM	193	SINGLE	
2-C-C2	-	T2 = .062" EM	193	-	
3-C-C3	-	T2 = .062" EM	193	-	

Mouser Electronics

Authorized Distributor

Click to View Pricing, Inventory, Delivery & Lifecycle Information:

[New Age Enclosures:](#)

[S1A-302112](#) [S3A-302112](#) [S1A-302112-K](#) [S3A-302112-K](#)



Компания «ЭлектроПласт» предлагает заключение долгосрочных отношений при поставках импортных электронных компонентов на взаимовыгодных условиях!

Наши преимущества:

- Оперативные поставки широкого спектра электронных компонентов отечественного и импортного производства напрямую от производителей и с крупнейших мировых складов;
- Поставка более 17-ти миллионов наименований электронных компонентов;
- Поставка сложных, дефицитных, либо снятых с производства позиций;
- Оперативные сроки поставки под заказ (от 5 рабочих дней);
- Экспресс доставка в любую точку России;
- Техническая поддержка проекта, помощь в подборе аналогов, поставка прототипов;
- Система менеджмента качества сертифицирована по Международному стандарту ISO 9001;
- Лицензия ФСБ на осуществление работ с использованием сведений, составляющих государственную тайну;
- Поставка специализированных компонентов (Xilinx, Altera, Analog Devices, Intersil, Interpoint, Microsemi, Aeroflex, Peregrine, Syfer, Eurofarad, Texas Instrument, Miteq, Cobham, E2V, MA-COM, Hittite, Mini-Circuits, General Dynamics и др.);

Помимо этого, одним из направлений компании «ЭлектроПласт» является направление «Источники питания». Мы предлагаем Вам помощь Конструкторского отдела:

- Подбор оптимального решения, техническое обоснование при выборе компонента;
- Подбор аналогов;
- Консультации по применению компонента;
- Поставка образцов и прототипов;
- Техническая поддержка проекта;
- Защита от снятия компонента с производства.



Как с нами связаться

Телефон: 8 (812) 309 58 32 (многоканальный)

Факс: 8 (812) 320-02-42

Электронная почта: org@eplast1.ru

Адрес: 198099, г. Санкт-Петербург, ул. Калинина, дом 2, корпус 4, литера А.