

## GKE Series

### Dual Entry Safety Interlock Switches



#### DESCRIPTION

The GKE Series safety key-operated switch provides enhanced reliability for safety hard guarding applications in a compact, cost-effective package.

#### FEATURES

- Positive opening safety contacts
- Multiple contact configurations
- Rotating head allows actuator engagement from five orientations
- Double insulation per IEC 60947-5-1
- Choice of two standard actuators
- Small size
- Most global approvals: cULus, CE, (CCC applied for)

#### BENEFITS

- Designed to minimize intentional tampering or defeat
- Designed to meet application-specific needs
- Small-size provides a valuable solution where space is at a premium
- Designed for global acceptance

#### POTENTIAL APPLICATIONS

- Plastic molding equipment
- Packaging machinery
- Semiconductor manufacturing equipment
- Woodworking machinery
- Metal converting equipment
- Printing/paper finishing equipment

# GKE Series

## SPECIFICATIONS

Designation and Utilization Category		Rated Operational Current I <sub>e</sub> (A) at Rated Operational Voltage U <sub>e</sub> (V)						
		24 V	120 V	240 V	380 V	480 V	500 V	600 V
AC15	A500	—	6 A	3 A	1,9 A	1,5 A	1,4 A	—
AC15	A600	—	6 A	3 A	1,9 A	1,5 A	1,4 A	1,2 A
DC13	Q300	2,8 A	0,55 A	0,27 A	—	—	—	—

Rated thermal current (I <sub>th</sub> )	10 A	Sealing	IP66; NEMA 1, 12, 13
Rated impulse withstand (U <sub>imp</sub> )	2500 V	Pollution degree	3
Rated insulation voltage (U <sub>i</sub> )	500 V, 600 V	Operating temperature range	-25 °C to 85 °C [-13 °F to 185 °F]
Short-circuit protective device (type/max. rating)	Class J fuse (10 A/600 V)	Mechanical life	1,000,000 operations
Conditional short-circuit current	1000 A	—	—

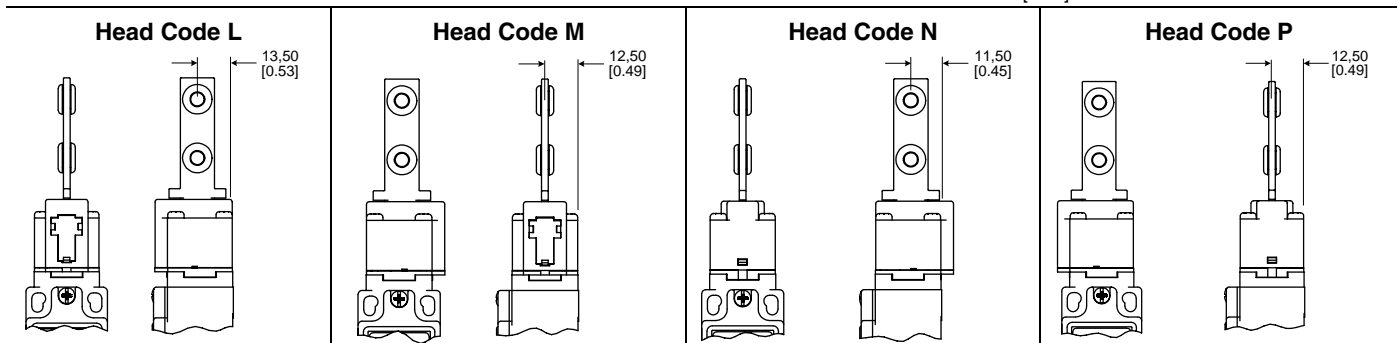
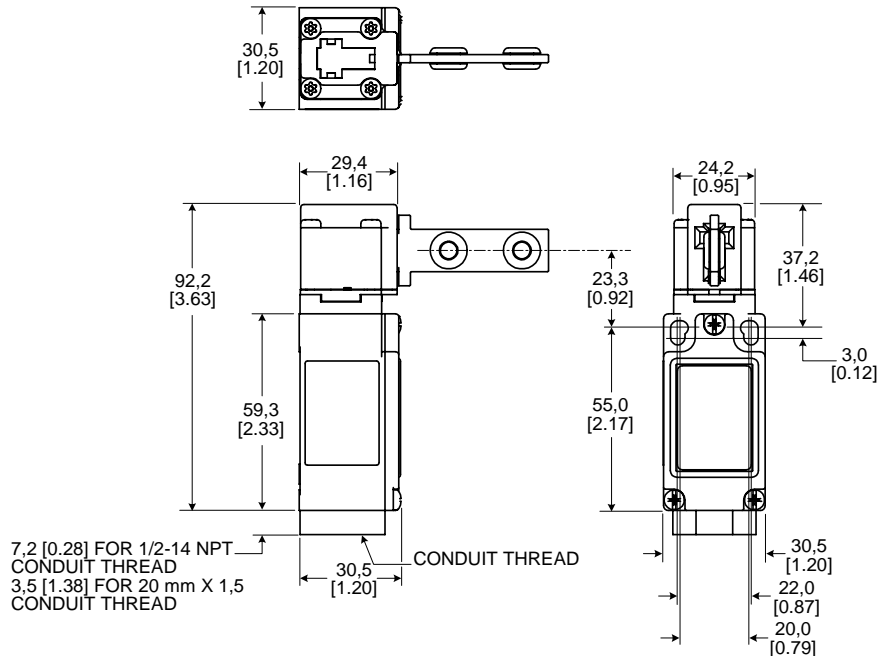
Complies with:

Low Voltage Directive 73/23/EEC, as amended by directive 93/68/EEC.

Machinery Directive 98/37/EEC only as the directives relate to the components being used in a safety function.

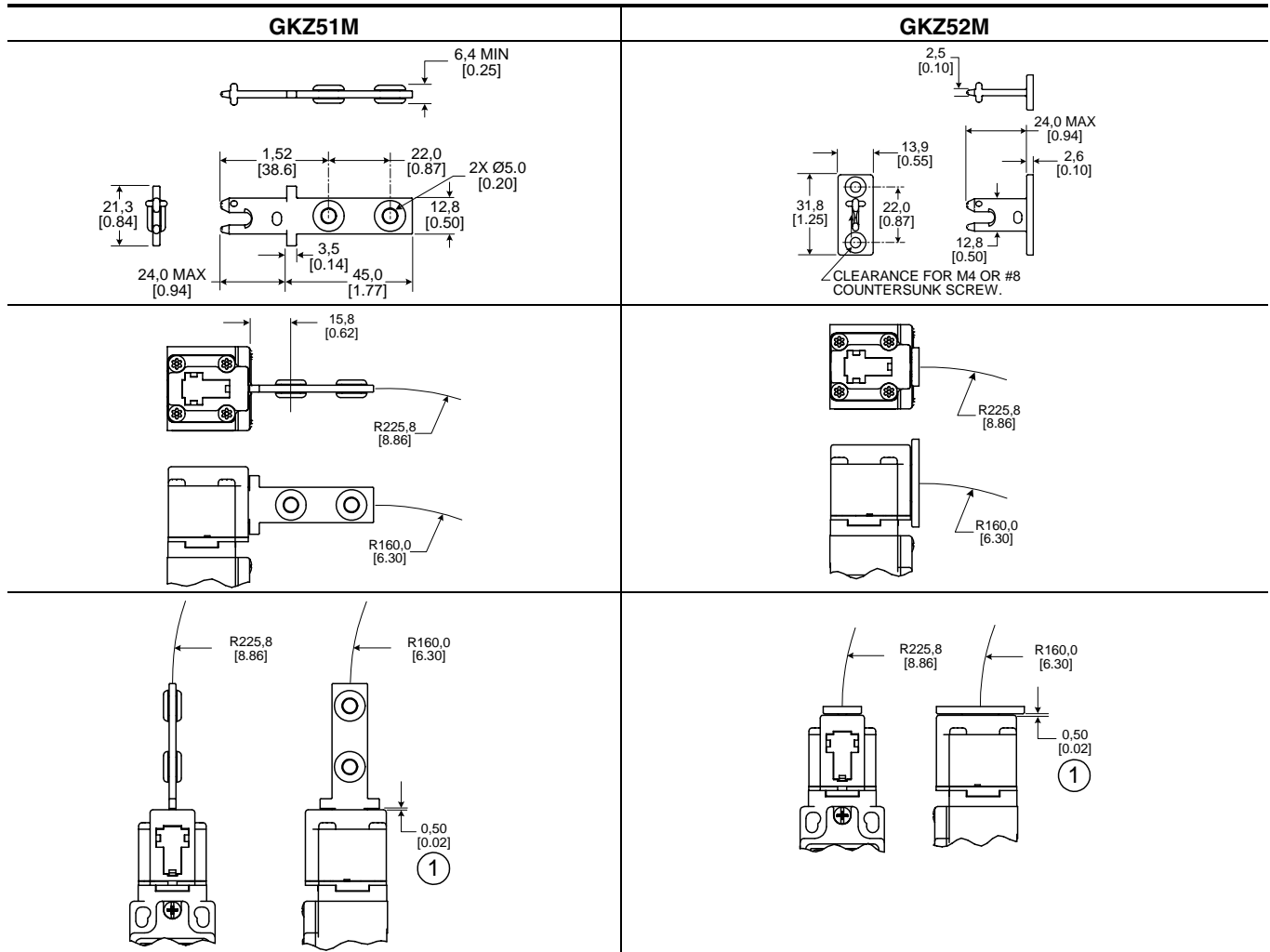
IEC/EN60947-5-1.

## MOUNTING DIMENSIONS (For reference only mm [in])



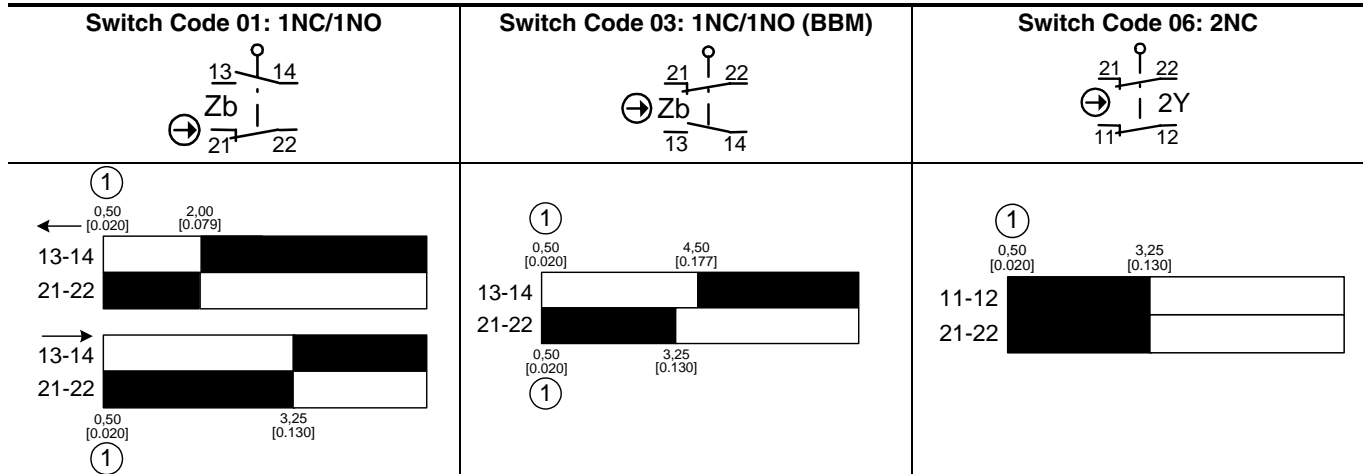
# Safety Door Interlock Switches

## KEY MOUNTING DIMENSIONS



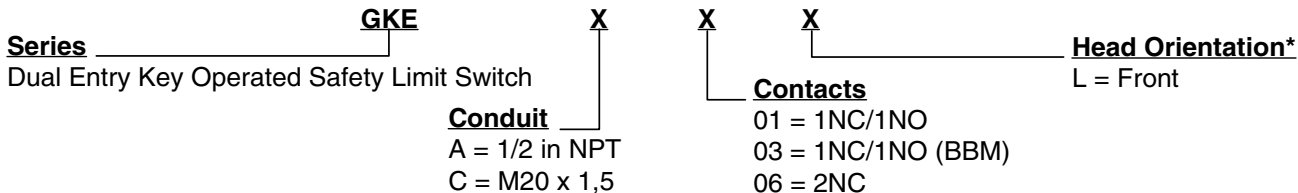
1. Recommended key position.

## CIRCUIT AND TRAVEL DIAGRAMS



1. Recommended key position.

**SWITCH ORDER GUIDE (Not all combinations are active listings.)**



\*Head orientation facing the right, left or back of the switch is available upon request. Minimum order quantities apply.

**SWITCH ORDER GUIDE (active listings)**

Catalog Listing	Description
GKEA01L	Dual Entry Key Operated Safety Limit Switch, 1/2 in NPT conduit, 1NC/1NO contacts, front head orientation
GKEA03L	Dual Entry Key Operated Safety Limit Switch, 1/2 in NPT conduit, 1NC/1NO (BBM) contacts, front head orientation
GKEA06L	Dual Entry Key Operated Safety Limit Switch, 1/2 in NPT conduit, 2NC contacts, front head orientation
GKEC01L	Dual Entry Key Operated Safety Limit Switch, M20 x 1,5 conduit, 1NC/1NO contacts, front head orientation
GKEC03L	Dual Entry Key Operated Safety Limit Switch, M20 x 1,5 conduit, 1NC/1NO (BBM) contacts, front head orientation
GKEC06L	Dual Entry Key Operated Safety Limit Switch, M20 x 1,5 conduit, 2NC contacts, front head orientation

**KEY ORDER GUIDE**

Catalog Listing	Description
GKZ51M	Straight Key
GKZ52M	90 Degree Key

**⚠ WARNING**  
**IMPROPER INSTALLATION**

- Consult with local safety agencies and their requirements when designing a machine-control link, interface and all control elements that affect safety.
- Strictly adhere to all installation instructions.

**Failure to comply with these instructions could result in death or serious injury.**

**WARRANTY/REMEDY**

Honeywell warrants goods of its manufacture as being free of defective materials and faulty workmanship. Honeywell's standard product warranty applies unless agreed to otherwise by Honeywell in writing; please refer to your order acknowledgement or consult your local sales office for specific warranty details. If warranted goods are returned to Honeywell during the period of coverage, Honeywell will repair or replace, at its option, without charge those items it finds defective. **The foregoing is buyer's sole remedy and is in lieu of all other warranties, expressed or implied, including those of merchantability and fitness for a particular purpose. In no event shall Honeywell be liable for consequential, special, or indirect damages.**

While we provide application assistance personally, through our literature and the Honeywell web site, it is up to the customer to determine the suitability of the product in the application.

Specifications may change without notice. The information we supply is believed to be accurate and reliable as of this printing. However, we assume no responsibility for its use.

**⚠ WARNING**  
**MISUSE OF DOCUMENTATION**

- The information presented in this product sheet is for reference only. Do not use this document as a product installation guide.
- Complete installation, operation, and maintenance information is provided in the instructions supplied with each product.

**Failure to comply with these instructions could result in death or serious injury.**

**SALES AND SERVICE**

Honeywell serves its customers through a worldwide network of sales offices, representatives and distributors. For application assistance, current specifications, pricing or name of the nearest Authorized Distributor, contact your local sales office or:

**E-mail:** info.sc@honeywell.com

**Internet:** www.honeywell.com/sensing

**Phone and Fax:**

- Asia Pacific +65 6355-2828  
+65 6445-3033 Fax
- Europe +44 (0) 1698 481481  
+44 (0) 1698 481676 Fax
- Latin America +1-305-805-8188  
+1-305-883-8257 Fax
- USA/Canada +1-800-537-6945  
+1-815-235-6847  
+1-815-235-6545 Fax

**Automation and Control Solutions**

Sensing and Control

Honeywell

1985 Douglas Drive North

Golden Valley, MN 55422

www.honeywell.com/sensing





Компания «ЭлектроПласт» предлагает заключение долгосрочных отношений при поставках импортных электронных компонентов на взаимовыгодных условиях!

Наши преимущества:

- Оперативные поставки широкого спектра электронных компонентов отечественного и импортного производства напрямую от производителей и с крупнейших мировых складов;
- Поставка более 17-ти миллионов наименований электронных компонентов;
- Поставка сложных, дефицитных, либо снятых с производства позиций;
- Оперативные сроки поставки под заказ (от 5 рабочих дней);
- Экспресс доставка в любую точку России;
- Техническая поддержка проекта, помощь в подборе аналогов, поставка прототипов;
- Система менеджмента качества сертифицирована по Международному стандарту ISO 9001;
- Лицензия ФСБ на осуществление работ с использованием сведений, составляющих государственную тайну;
- Поставка специализированных компонентов (Xilinx, Altera, Analog Devices, Intersil, Interpoint, Microsemi, Aeroflex, Peregrine, Syfer, Eurofarad, Texas Instrument, Miteq, Cobham, E2V, MA-COM, Hittite, Mini-Circuits, General Dynamics и др.);

Помимо этого, одним из направлений компании «ЭлектроПласт» является направление «Источники питания». Мы предлагаем Вам помощь Конструкторского отдела:

- Подбор оптимального решения, техническое обоснование при выборе компонента;
- Подбор аналогов;
- Консультации по применению компонента;
- Поставка образцов и прототипов;
- Техническая поддержка проекта;
- Защита от снятия компонента с производства.



#### Как с нами связаться

**Телефон:** 8 (812) 309 58 32 (многоканальный)

**Факс:** 8 (812) 320-02-42

**Электронная почта:** [org@eplast1.ru](mailto:org@eplast1.ru)

**Адрес:** 198099, г. Санкт-Петербург, ул. Калинина, дом 2, корпус 4, литера А.