

2017/08/25 23:36:15 (JST) Hayley North

DRAWING FOR REFERENCE: This is subject to change without notice

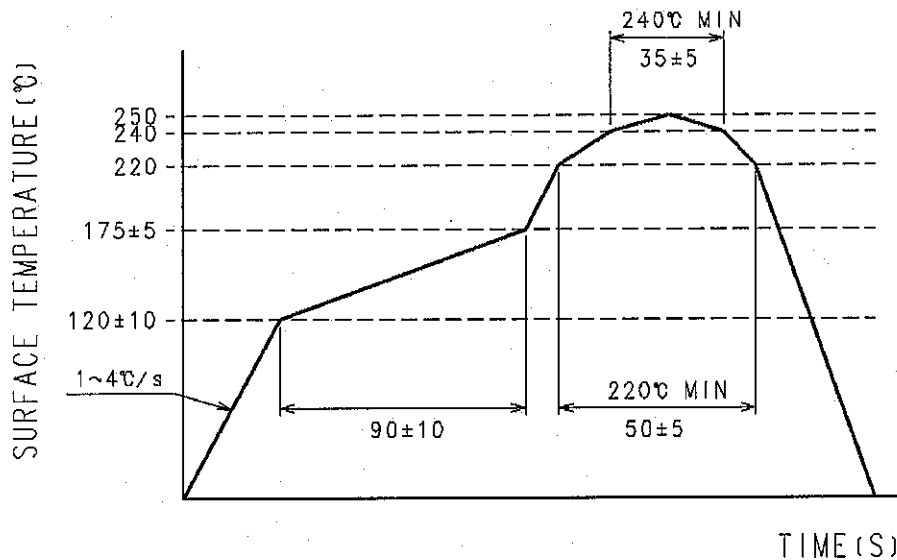
COUNT	DESCRIPTION OF REVISIONS	BY	CHKD	DATE	COUNT	DESCRIPTION OF REVISIONS	BY	CHKD	DATE
APPLICABLE STANDARD		EIAJ RC-5238							
RATING	OPERATING TEMPERATURE, HUMIDITY RANGE	-25°C TO +70°C (RELATIVE HUMIDITY 85% MAX)			STORAGE TEMPERATURE, HUMIDITY RANGE	-40°C TO +85°C (RELATIVE HUMIDITY 85% MAX)			
	WETHER-RESISTANT CATEGORY	40/085/04			VOLTAGE	AC,DC 30 V			
	CURRENT	NO.1,4,5,6,10	1 A			POWER	COAXIAL	2W	
NO.2,3,7,8,9		0.5A							
<b>SPECIFICATIONS</b>									
ITEM		TEST METHOD			REQUIREMENTS			QT	AT
<b>CONSTRUCTION</b>									
GENERAL EXAMINATION		VISUALLY AND BY MEASURING INSTRUMENT.			ACCORDING TO DRAWING.			×	×
MARKING		CONFIRMED VISUALLY.						×	×
<b>ELECTRIC CHARACTERISTICS</b>									
CONTACT RESISTANCE	SIGNAL	10 mA (DC OR 1000 Hz).			50 mΩ MAX.			×	×
INSULATION RESISTANCE	SIGNAL	250±25 V DC FOR 60±5 sec.			1000 MΩ MIN.			×	×
	COAXIAL	100±10 V DC FOR 60±5 sec.							
VOLTAGE PROOF	SIGNAL	300 V AC FOR 60±5 sec. (CURRENT LEAKAGE 2 mA)			NO FLASHOVER OR BREAKDOWN.			×	×
	COAXIAL	100 V AC FOR 60±5 sec. (CURRENT LEAKAGE 2 mA)							
CAPACITANCE		MEASURE BETWEEN 2 ADJACENT CONTACTS BY 1000 ± 200 Hz OF VOLTS ALTERNATING CURRENT.			2 pF MAX			×	×
VSWR	COAXIAL	FREQUENCY 1.92 TO 2.17 GHz			1.5 MAX.			×	—
INSERTION LOSS	COAXIAL	FREQUENCY 1.92 TO 2.17 GHz			0.5 dB MAX.			×	—
<b>MECHANICAL CHARACTERISTICS</b>									
INSERTION AND WITHDRAWAL FORCES		MEASURED BY APPLICABLE CONNECTOR. (NOT INCLUDE LATCH)			INSERTION FORCE 25 N MAX. WITHDRAWAL FORCE 2.5 N MIN.			×	—
LATCH STRENGTH		PULL THE PLUG TO MATING AXIAL DIRECTION.			30 N MIN.			×	—
MECHANICAL OPERATION		10000 TIMES INSERTIONS AND EXTRACTATIONS AT THE SPEED OF LESS THAN 500 TIMES PER HOUR.			① CONTACT RESISTANCE : UPRISE FROM INITIAL TO BE LESS THAN 25 mΩ. ② NO DAMAGE, CRACK AND LOOSENESS, OF PARTS.			×	—
VIBRATION		FREQUENCY 10 TO 55 Hz, SINGLE AMPLITUDE 0.75 mm, AT 2 h, FOR 3 DIRECTIONS, TOTAL 6 h.			① NO ELECTRICAL DISCONTINUITY OF 1 μs. ② NO DAMAGE, CRACK AND LOOSENESS, OF PARTS.			×	—
SHOCK		490 m/s <sup>2</sup> DIRECTIONS OF PULSE 11 ms AT 3 TIMES FOR 6 DIRECTIONS, TOTAL 18 TIMES.			LOOSENESS, OF PARTS.			×	—
REMARKS									
				DRAWN	DESIGNED	CHECKED	APPROVED	RELEASED	
				<i>K. Nagamura</i>	<i>K. Nagamura</i>	<i>H. Mizutani</i>	<i>[Signature]</i>		
				'06.05.18	'06.05.18	'06.05.19	'06.05.19		
Unless otherwise specified, refer to JIS C 5402.				Note QT:Qualification Test AT:Assurance Test X:Applicable Test					
<b>HRS</b> HIROSE ELECTRIC CO., LTD.				SPECIFICATION SHEET			PART NO. MQ/S198A -10P		
CODE NO.(OLD)		DRAWING NO.			CODE NO.			1/2	
CL		ELC4-125738			CL206-2523-4				



# SPECIFICATIONS

ITEM	TEST METHOD	REQUIREMENTS	QT	AT
<b>ENVIRONMENTAL CHARACTERISTICS</b>				
DAMP HEAT (STEADY STATE)	EXPOSED AT 40±2 °C, 90~95 %, 96±4 h (FOR 4 DAYS).	① CONTACT RESISTANCE : UPRISE FROM INITIAL TO BE LESS THAN 25 mΩ. ② INSULATION RESISTANCE: 10 MΩ MIN. ③ VOLTAGE PROOF: NO FLASHOVER OR BREAKDOWN. ④ NO DAMAGE, CRACK AND LOOSENESS, OF PARTS.	×	—
RAPID CHANGE OF TEMPERATURE	TEMPERATURE -40 → 25 → 85 → 25 °C TIME 30→2 TO 3 →30 →2 TO 3 min UNDER 5 CYCLES.		×	—
DRY HEAT	EXPOSED AT +85±2 °C, 96±4 h.		×	—
COLD	EXPOSED AT -40±3 °C, 96±4 h.		×	—
CORROSION SALT MIST	EXPOSED IN 5±1 % SALT WATER, 35±2 °C FOR 48 ±4 h.	① NO DAMAGE, CRACK AND LOOSENESS, OF PARTS. ② NO HEAVY CORROSION INCLUDING DAMAGE OF CONNECTOR FUNCTION.	×	—
SOLDERBILITY	SOLERRING POINT OF CONTACTS IMMERSION IN SOLDER BATH OF 230±5°C, 5±0.5 sec.	SOLDERING POINT OF CONTACTS IMMERSION IN SOLDER, 90% MIN.	×	—
RESISTANCE TO SOLDERING HEAT	MANUAL SOLDERING	TEMPERATURE : 350 ± 5 °C TIME : 5 ± 1 sec.	×	—
	REFLOW	REFLOW TO THE RECOMMENDED REFLOW TEMPERATURE PROFILE IN FIG-1 FOR 2 TIMES.	×	—

FIG-1 RECOMMENDED REFLOW TEMPERATURE PROFILE



NOTE : THIS IT MAY BE CHANGE DEPENDING ON THE MOUNTING DEVICE, QUANTITY AND TYPE OF CREAM SOLDER.

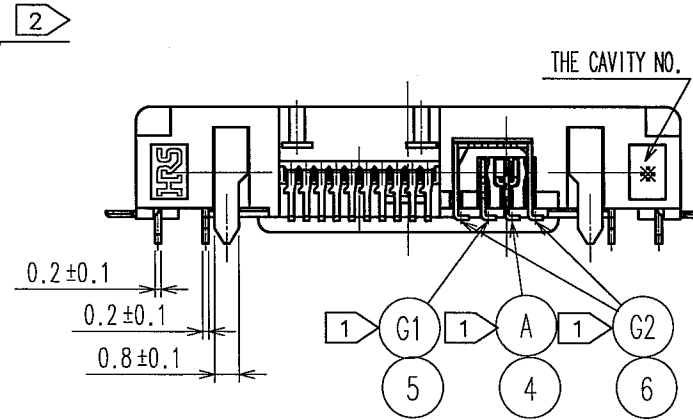
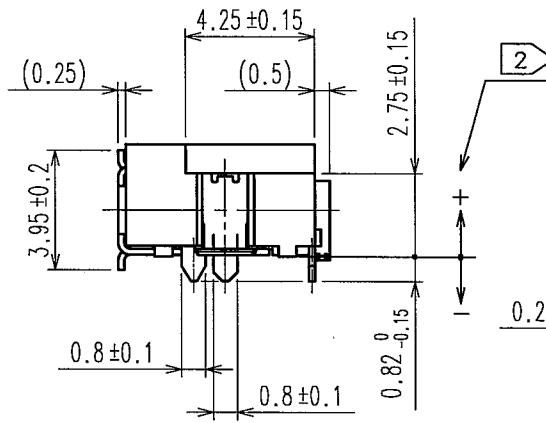
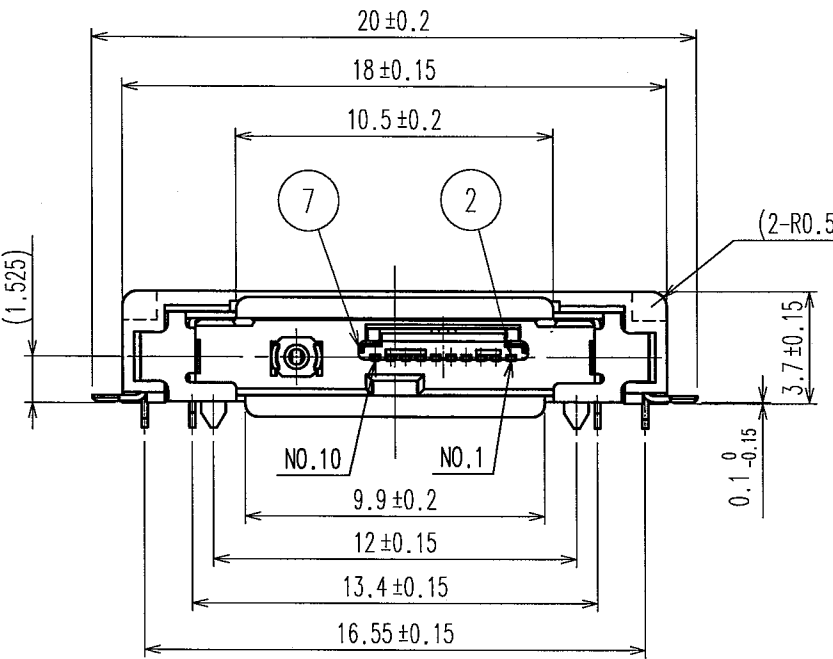
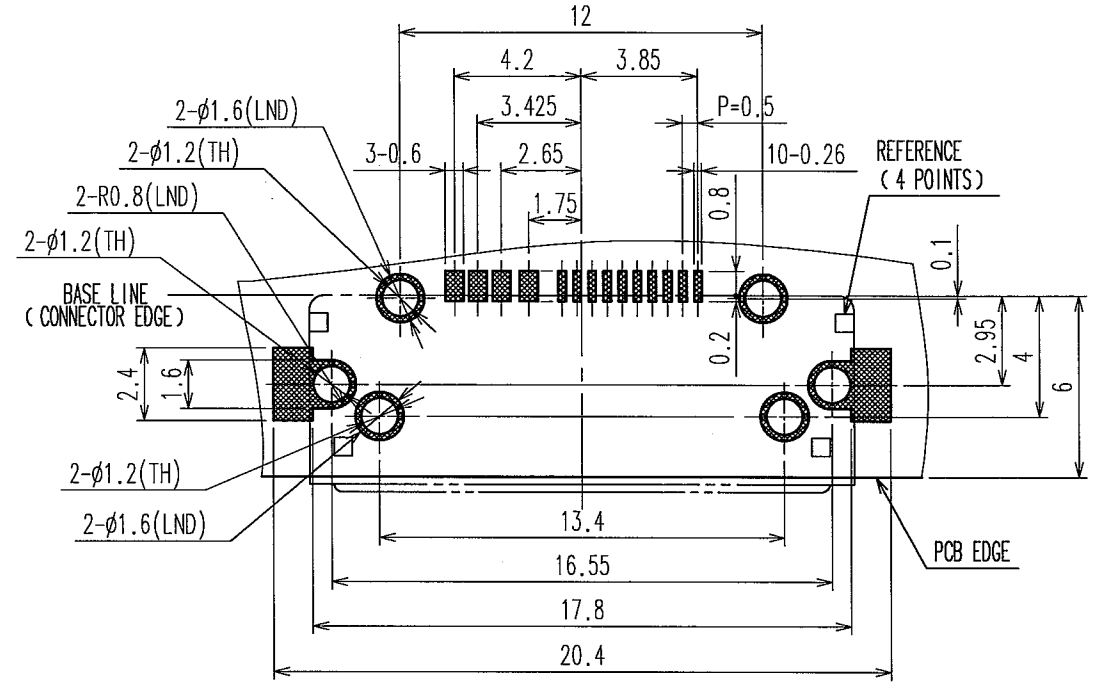
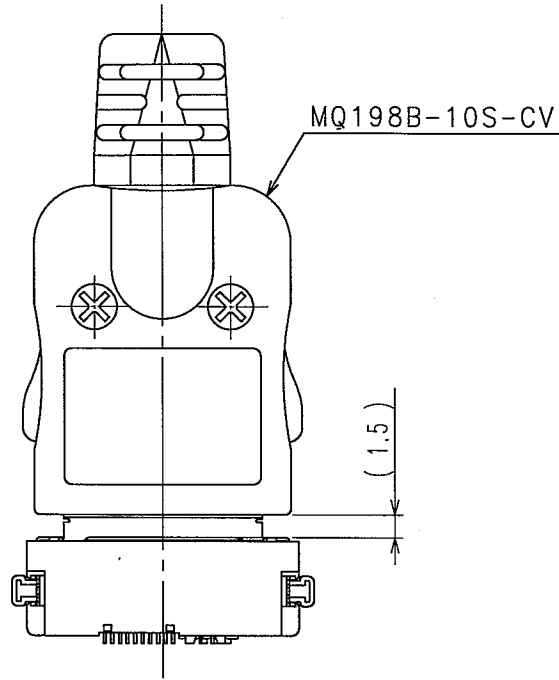
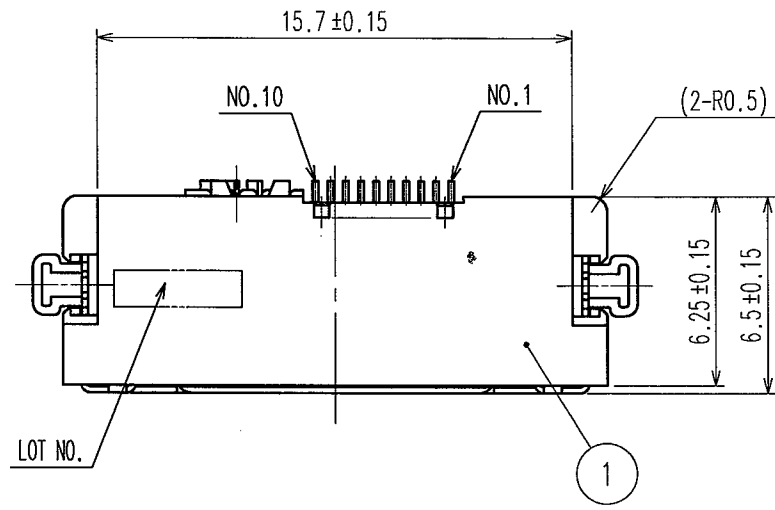
REMARKS	DRAWN	DESIGNED	CHECKED	APPROVED	RELEASED
Unless otherwise specified, refer to JIS C 5402.	<i>K. Nagamura</i> '16.05.18	<i>K. Nagamura</i> '06.05.18	<i>N. Miyazaki</i> '06.05.19	<i>[Signature]</i> '06.05.19	

Note QT:Qualification Test AT:Assurance Test ×:Applicable Test			
<b>HRS</b> HIROSE ELECTRIC CO., LTD.	SPECIFICATION SHEET	PART NO. MQ/S198A -10P	
CODE NO.(OLD) CL	DRAWING NO. ELC4-125738	CODE NO. CL206-2523-4	2/2

COUNT	DESCRIPTION OF REVISIONS	BY	CHKD	DATE	COUNT	DESCRIPTION OF REVISIONS	BY	CHKD	DATE
△					△				
△					△				
△					△				

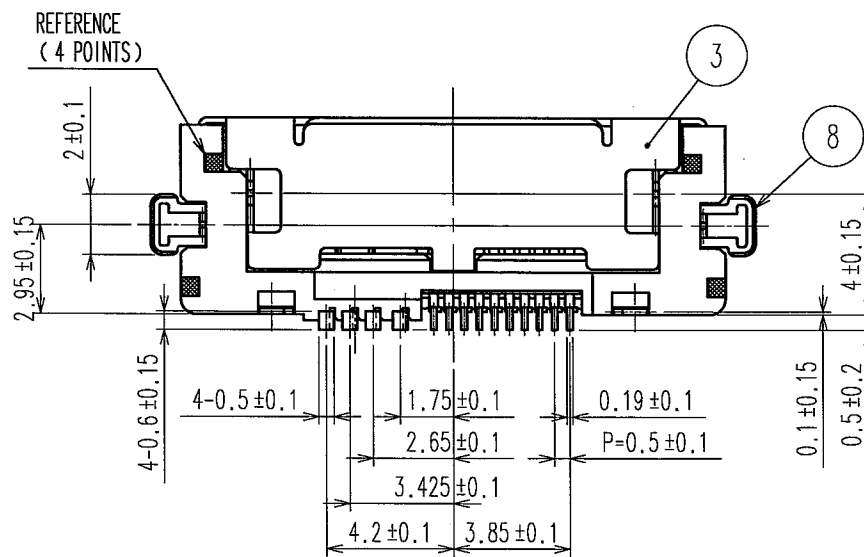
MATED (2:1)

RECOMMEND PCB LAYOUT (CONNECTOR MOUNTING SURFACE)



NOTES

- 1. A CIRCUIT OF COAXIAL CONNECTOR IS AS PER BELOW.  
DISCONNECTED  
CONNECTED  
PLUG CIRCUIT RECEPTACLE CIRCUIT
- 2. COAXIAL AND CONTACT COPLANARITIES ARE 0.1 MAX.  
DIMENSION OF CONTACT LEAD POSITION IS -0.15 TO 0.
- 3. THIS PRODUCT CUTS OFF EMBOSING OF 32mm WIDTH BY QUANTITY.



4	COPPER ALLOY	CONTACT PORTION : GOLD PLATING 0.3μm MIN. SOLDERING PORTION : GOLD PLATING 0.03μm MIN.	8	STAINLESS STEEL	TIN PLATING 1μm MIN.
3	STAINLESS STEEL	TIN REFLOW PLATING 1μm MIN.	7	STAINLESS STEEL	
2	COPPER ALLOY	CONTACT PORTION : GOLD PLATING 0.3μm MIN. SOLDERING PORTION : GOLD PLATING 0.03μm MIN.	6	COPPER ALLOY	CONTACT PORTION : GOLD PLATING 0.3μm MIN. SOLDERING PORTION : GOLD PLATING 0.03μm MIN.
1	POLYAMIDE(9T)	(BLACK) UL94V-0	5	COPPER ALLOY	CONTACT PORTION : GOLD PLATING 0.3μm MIN. SOLDERING PORTION : GOLD PLATING 0.03μm MIN.
NO.	MATERIAL	FINISH, REMARKS	NO.	MATERIAL	FINISH, REMARKS

CODE NO. (OLD)		DRAWN	DESIGNED	CHECKED	APPROVED	RELEASED
		<i>K. Nagamura</i>	<i>K. Nagamura</i>	<i>M. Miyazaki</i>	<i>Shigehiko</i>	
		'06.05.19	'06.05.19	'06.05.19	'06.05.19	
DRAWING NO.		PART NO.				
EDC3-125738		MQ/S198A-10P				
SCALE		CODE NO.				
4 : 1		CL206-2523-4				
UNITS		HIROSE ELECTRIC CO., LTD				
mm						

TO



Компания «ЭлектроПласт» предлагает заключение долгосрочных отношений при поставках импортных электронных компонентов на взаимовыгодных условиях!

Наши преимущества:

- Оперативные поставки широкого спектра электронных компонентов отечественного и импортного производства напрямую от производителей и с крупнейших мировых складов;
- Поставка более 17-ти миллионов наименований электронных компонентов;
- Поставка сложных, дефицитных, либо снятых с производства позиций;
- Оперативные сроки поставки под заказ (от 5 рабочих дней);
- Экспресс доставка в любую точку России;
- Техническая поддержка проекта, помощь в подборе аналогов, поставка прототипов;
- Система менеджмента качества сертифицирована по Международному стандарту ISO 9001;
- Лицензия ФСБ на осуществление работ с использованием сведений, составляющих государственную тайну;
- Поставка специализированных компонентов (Xilinx, Altera, Analog Devices, Intersil, Interpoint, Microsemi, Aeroflex, Peregrine, Syfer, Eurofarad, Texas Instrument, Miteq, Cobham, E2V, MA-COM, Hittite, Mini-Circuits, General Dynamics и др.);

Помимо этого, одним из направлений компании «ЭлектроПласт» является направление «Источники питания». Мы предлагаем Вам помощь Конструкторского отдела:

- Подбор оптимального решения, техническое обоснование при выборе компонента;
- Подбор аналогов;
- Консультации по применению компонента;
- Поставка образцов и прототипов;
- Техническая поддержка проекта;
- Защита от снятия компонента с производства.



#### Как с нами связаться

**Телефон:** 8 (812) 309 58 32 (многоканальный)

**Факс:** 8 (812) 320-02-42

**Электронная почта:** [org@eplast1.ru](mailto:org@eplast1.ru)

**Адрес:** 198099, г. Санкт-Петербург, ул. Калинина, дом 2, корпус 4, литера А.