

Micropower Voltage Detector

Features

- Ultra-low supply current: 1.75 μA (max.)
- Precision monitoring options of:
 - 1.90V, 2.32V, 2.63V, 2.90V, 2.93V, 3.08V, 4.38V and 4.63V
- Resets microcontroller in a power-loss event
- Active-low V_{OUT} pin:
 - **MCP111** active-low, open-drain
 - **MCP112** active-low, push-pull
- Available in SOT23-3, TO-92, SC-70 and SOT-89-3 packages
- Temperature Range:
 - Extended: -40°C to $+125^{\circ}\text{C}$ (except **MCP1XX-195**)
 - Industrial: -40°C to $+85^{\circ}\text{C}$ (**MCP1XX-195 only**)
- Pb-free devices

Applications

- Critical Microcontroller and Microprocessor Power-Monitoring Applications
- Computers
- Intelligent Instruments
- Portable Battery-Powered Equipment

Description

The MCP111/112 are voltage-detecting devices designed to keep a microcontroller in reset until the system voltage has stabilized at the appropriate level for reliable system operation. These devices also operate as protection from brown-out conditions when the system supply voltage drops below the specified threshold voltage level. Eight different trip voltages are available.

Package Types



Block Diagram



TABLE 1: DEVICE FEATURES

| Device | Output | | Reset Delay (typ) | Package Pin Out (Pin # 1, 2, 3) | Comment |
|---------------|------------|----------------------------------|-------------------|---|--|
| | Type | Pull-up Resistor | | | |
| MCP111 | Open-drain | External | No | $V_{\text{OUT}}, V_{\text{SS}}, V_{\text{DD}}$ | |
| MCP112 | Push-pull | No | No | $V_{\text{OUT}}, V_{\text{SS}}, V_{\text{DD}}$ | |
| MCP102 | Push-pull | No | 120 ms | $\overline{\text{RST}}, V_{\text{DD}}, V_{\text{SS}}$ | See MCP102/103/121/131 Data Sheet (DS21906) |
| MCP103 | Push-pull | No | 120 ms | $V_{\text{SS}}, \overline{\text{RST}}, V_{\text{DD}}$ | See MCP102/103/121/131 Data Sheet (DS21906) |
| MCP121 | Open-drain | External | 120 ms | $\overline{\text{RST}}, V_{\text{DD}}, V_{\text{SS}}$ | See MCP102/103/121/131 Data Sheet (DS21906) |
| MCP131 | Open-Drain | Internal (~95 $\text{k}\Omega$) | 120 ms | $\overline{\text{RST}}, V_{\text{DD}}, V_{\text{SS}}$ | See MCP102/103/121/131 Data Sheet (DS21906) |

MCP111/112

1.0 ELECTRICAL CHARACTERISTICS

Absolute Maximum Ratings†

| | |
|---|------------------------------|
| V_{DD} | 7.0V |
| Input current (V_{DD}) | 10 mA |
| Output current (\overline{RST}) | 10 mA |
| Rated Rise Time of V_{DD} | 100V/ μ s |
| All inputs and outputs (except \overline{RST}) w.r.t. V_{SS} | -0.6V to ($V_{DD} + 1.0V$) |
| \overline{RST} output w.r.t. V_{SS} | -0.6V to 13.5V |
| Storage temperature | -65°C to +150°C |
| Ambient temp. with power applied | -40°C to +125°C |
| Maximum Junction temp. with power applied | 150°C |
| ESD protection on all pins | ≥ 2 kV |

† **Notice:** Stresses above those listed under "Maximum Ratings" may cause permanent damage to the device. This is a stress rating only and functional operation of the device at those or any other conditions above those indicated in the operational listings of this specification is not implied. Exposure to maximum rating conditions for extended periods may affect device reliability.

DC CHARACTERISTICS

| Electrical Specifications: Unless otherwise indicated, all limits are specified for $V_{DD} = 1V$ to 5.5V, $R_{PU} = 100$ k Ω (only MCP111), $T_A = -40^\circ\text{C}$ to $+125^\circ\text{C}$. | | | | | | | |
|---|--|------------|-----------|------------------------------------|-----------------------|--|---|
| Parameters | Sym | Min | Typ | Max | Units | Conditions | |
| Operating Voltage Range | V_{DD} | 1.0 | — | 5.5 | V | | |
| Specified V_{DD} Value to V_{OUT} low | V_{DD} | 1.0 | — | | V | $I_{\overline{RST}} = 10 \mu\text{A}$, $V_{\overline{RST}} < 0.2\text{V}$ | |
| Operating Current | I_{DD} | — | < 1 | 1.75 | μA | | |
| V_{DD} Trip Point | MCP1XX-195 MCP1XX-240 MCP1XX-270 MCP1XX-290 MCP1XX-300 MCP1XX-315 MCP1XX-450 MCP1XX-475 | V_{TRIP} | 1.872 | 1.900 | 1.929 | V | $T_A = +25^\circ\text{C}$ (Note 1) |
| | | | 1.853 | 1.900 | 1.948 | V | $T_A = -40^\circ\text{C}$ to $+85^\circ\text{C}$ (Note 2) |
| | | | 2.285 | 2.320 | 2.355 | V | $T_A = +25^\circ\text{C}$ (Note 1) |
| | | | 2.262 | 2.320 | 2.378 | V | Note 2 |
| | | | 2.591 | 2.630 | 2.670 | V | $T_A = +25^\circ\text{C}$ (Note 1) |
| | | | 2.564 | 2.630 | 2.696 | V | Note 2 |
| | | | 2.857 | 2.900 | 2.944 | V | $T_A = +25^\circ\text{C}$ (Note 1) |
| | | | 2.828 | 2.900 | 2.973 | V | Note 2 |
| | | | 2.886 | 2.930 | 2.974 | V | $T_A = +25^\circ\text{C}$ (Note 1) |
| | | | 2.857 | 2.930 | 3.003 | V | Note 2 |
| | | | 3.034 | 3.080 | 3.126 | V | $T_A = +25^\circ\text{C}$ (Note 1) |
| | | | 3.003 | 3.080 | 3.157 | V | Note 2 |
| | | | 4.314 | 4.380 | 4.446 | V | $T_A = +25^\circ\text{C}$ (Note 1) |
| | | | 4.271 | 4.380 | 4.490 | V | Note 2 |
| 4.561 | 4.630 | 4.700 | V | $T_A = +25^\circ\text{C}$ (Note 1) | | | |
| 4.514 | 4.630 | 4.746 | V | Note 2 | | | |
| V_{DD} Trip Point Tempco | T_{TPCO} | — | ± 100 | — | ppm/ $^\circ\text{C}$ | | |

- Note 1:** Trip point is $\pm 1.5\%$ from typical value.
- Note 2:** Trip point is $\pm 2.5\%$ from typical value.
- 3:** This specification allows this device to be used in PIC[®] microcontroller applications that require the In-Circuit Serial Programming™ (ICSP™) feature (see device-specific programming specifications for voltage requirements). This specification DOES NOT allow a continuous high voltage to be present on the open-drain output pin (V_{OUT}). The total time that the V_{OUT} pin can be above the maximum device operational voltage (5.5V) is 100 sec. Current into the V_{OUT} pin should be limited to 2 mA. It is recommended that the device operational temperature be maintained between 0°C to 70°C (+25°C preferred). For additional information, please refer to Figure 2-28.
- 4:** This parameter is established by characterization and is not 100% tested.

DC CHARACTERISTICS (CONTINUED)

| Electrical Specifications: Unless otherwise indicated, all limits are specified for $V_{DD} = 1V$ to $5.5V$, $R_{PU} = 100\text{ k}\Omega$ (only MCP111), $T_A = -40^\circ\text{C}$ to $+125^\circ\text{C}$. | | | | | | | |
|--|-------------------|----------------|-------|---------------------|---------------|---|---------------------------|
| Parameters | Sym | Min | Typ | Max | Units | Conditions | |
| Threshold Hysteresis (min. = 1%, max = 6%) | MCP1XX-195 | V_{HYS} | 0.019 | — | 0.114 | V | $T_A = +25^\circ\text{C}$ |
| | MCP1XX-240 | | 0.023 | — | 0.139 | V | |
| | MCP1XX-270 | | 0.026 | — | 0.158 | V | |
| | MCP1XX-290 | | 0.029 | — | 0.174 | V | |
| | MCP1XX-300 | | 0.029 | — | 0.176 | V | |
| | MCP1XX-315 | | 0.031 | — | 0.185 | V | |
| | MCP1XX-450 | | 0.044 | — | 0.263 | V | |
| | MCP1XX-475 | | 0.046 | — | 0.278 | V | |
| V_{OUT} Low-level Output Voltage | V_{OL} | — | — | 0.4 | V | $I_{OL} = 500\text{ }\mu\text{A}$, $V_{DD} = V_{TRIP(MIN)}$ | |
| V_{OUT} High-level Output Voltage | V_{OH} | $V_{DD} - 0.6$ | — | — | V | $I_{OH} = 1\text{ mA}$, For only MCP112 (push-pull output) | |
| Open-drain High Voltage on Output | V_{ODH} | — | — | 13.5 ⁽³⁾ | V | MCP111 only, $V_{DD} = 3.0V$, Time voltage > 5.5V applied $\leq 100s$, current into pin limited to 2 mA, $+25^\circ\text{C}$ operation recommended Note 3, Note 4 | |
| Open-drain Output Leakage Current (MCP111 only) | I_{OD} | — | 0.1 | — | μA | | |

Note 1: Trip point is $\pm 1.5\%$ from typical value.

Note 2: Trip point is $\pm 2.5\%$ from typical value.

Note 3: This specification allows this device to be used in PIC[®] microcontroller applications that require the In-Circuit Serial Programming[™] (ICSP[™]) feature (see device-specific programming specifications for voltage requirements). This specification DOES NOT allow a continuous high voltage to be present on the open-drain output pin (V_{OUT}). The total time that the V_{OUT} pin can be above the maximum device operational voltage (5.5V) is 100 sec. Current into the V_{OUT} pin should be limited to 2 mA. It is recommended that the device operational temperature be maintained between 0°C to 70°C ($+25^\circ\text{C}$ preferred). For additional information, please refer to Figure 2-28.

Note 4: This parameter is established by characterization and is not 100% tested.

MCP111/112

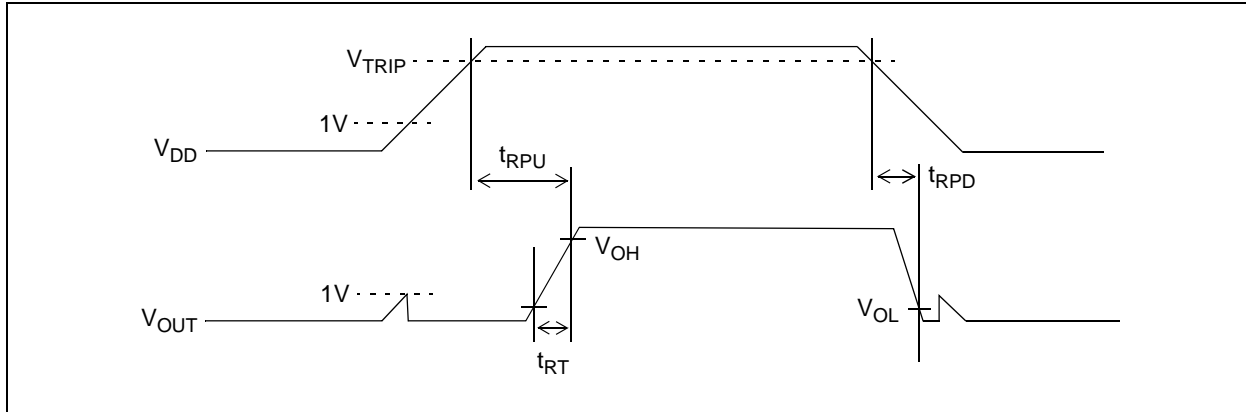


FIGURE 1-1: Timing Diagram.

AC CHARACTERISTICS

Electrical Specifications: Unless otherwise indicated, all limits are specified for $V_{DD} = 1V$ to $5.5V$, $R_{PU} = 100\text{ k}\Omega$ (only **MCP111**), $T_A = -40^\circ\text{C}$ to $+125^\circ\text{C}$.

| Parameters | Sym | Min | Typ | Max | Units | Conditions |
|--|-----------|-----|-----|-----|---------------|--|
| V_{DD} Detect to V_{OUT} Inactive | t_{RPU} | — | 90 | — | μs | Figure 1-1 and $C_L = 50\text{ pF}$ (Note 1) |
| V_{DD} Detect to V_{OUT} Active | t_{RPD} | — | 130 | — | μs | V_{DD} ramped from $V_{TRIP(MAX)} + 250\text{ mV}$ down to $V_{TRIP(MIN)} - 250\text{ mV}$, per Figure 1-1, $C_L = 50\text{ pF}$ (Note 1) |
| V_{OUT} Rise Time After V_{OUT} Active | t_{RT} | — | 5 | — | μs | For V_{OUT} 10% to 90% of final value per Figure 1-1, $C_L = 50\text{ pF}$ (Note 1) |

Note 1: These parameters are for design guidance only and are not 100% tested.

TEMPERATURE CHARACTERISTICS

Electrical Specifications: Unless otherwise noted, all limits are specified for $V_{DD} = 1V$ to $5.5V$, $R_{PU} = 100\text{ k}\Omega$ (only **MCP111**), $T_A = -40^\circ\text{C}$ to $+125^\circ\text{C}$.

| Parameters | Sym | Min | Typ | Max | Units | Conditions |
|------------------------------------|---------------|-----|-------|------|---------------------------|--------------------------|
| Temperature Ranges | | | | | | |
| Specified Temperature Range | T_A | -40 | — | +85 | $^\circ\text{C}$ | MCP1XX-195 |
| Specified Temperature Range | T_A | -40 | — | +125 | $^\circ\text{C}$ | Except MCP1XX-195 |
| Maximum Junction Temperature | T_J | — | — | +150 | $^\circ\text{C}$ | |
| Storage Temperature Range | T_A | -65 | — | +150 | $^\circ\text{C}$ | |
| Package Thermal Resistances | | | | | | |
| Thermal Resistance, 3L-SOT23 | θ_{JA} | — | 336 | — | $^\circ\text{C}/\text{W}$ | |
| Thermal Resistance, 3L-SC-70 | θ_{JA} | — | 340 | — | $^\circ\text{C}/\text{W}$ | |
| Thermal Resistance, 3L-TO-92 | θ_{JA} | — | 131.9 | — | $^\circ\text{C}/\text{W}$ | |
| Thermal Resistance, 3L-SOT-89 | θ_{JA} | — | 110 | — | $^\circ\text{C}/\text{W}$ | |

2.0 TYPICAL PERFORMANCE CURVES

Note: The graphs and tables provided following this note are a statistical summary based on a limited number of samples and are provided for informational purposes only. The performance characteristics listed herein are not tested or guaranteed. In some graphs or tables, the data presented may be outside the specified operating range (e.g., outside specified power supply range) and therefore outside the warranted range.

Note: Unless otherwise indicated, all limits are specified for $V_{DD} = 1V$ to $5.5V$, $R_{PU} = 100\text{ k}\Omega$ (only **MCP111**; see **Figure 4-1**), $T_A = -40^\circ\text{C}$ to $+125^\circ\text{C}$.

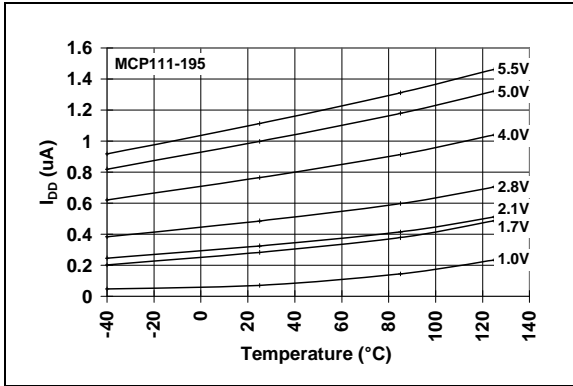


FIGURE 2-1: I_{DD} vs. Temperature (MCP111-195).

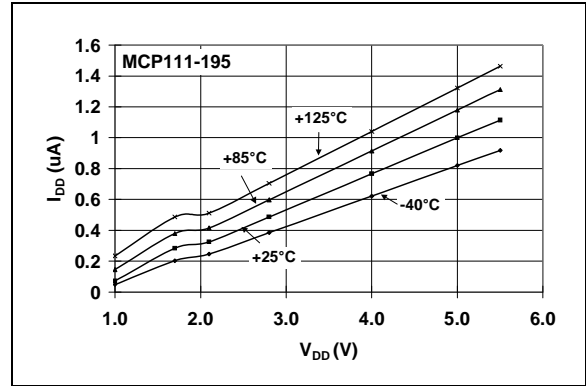


FIGURE 2-4: I_{DD} vs. V_{DD} (MCP111-195).

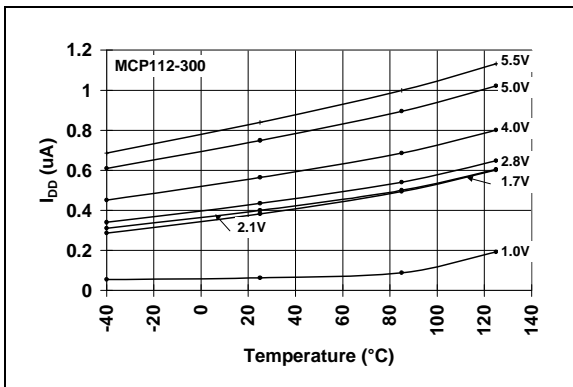


FIGURE 2-2: I_{DD} vs. Temperature (MCP112-300).

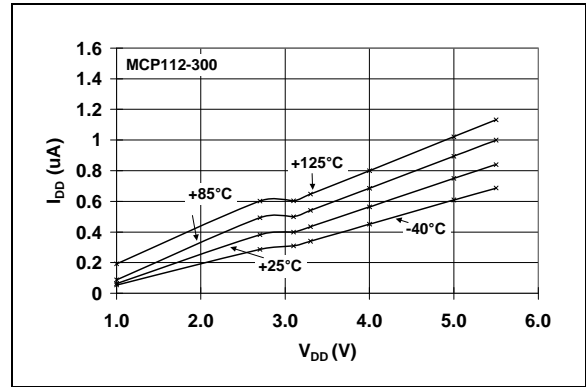


FIGURE 2-5: I_{DD} vs. V_{DD} (MCP112-300).

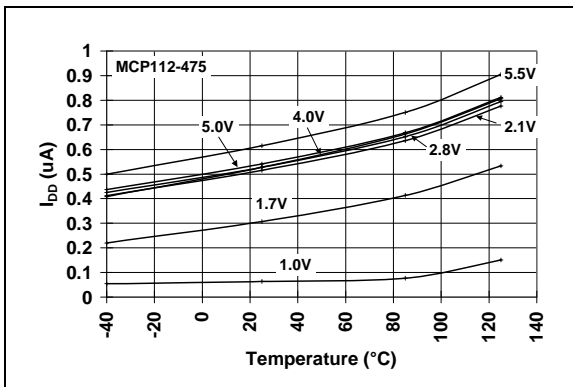


FIGURE 2-3: I_{DD} vs. Temperature (MCP112-475).

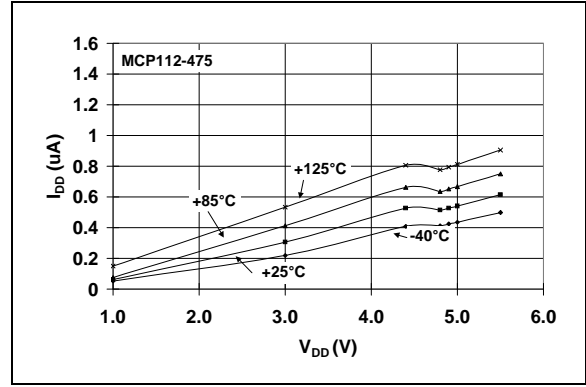


FIGURE 2-6: I_{DD} vs. V_{DD} (MCP112-475).

MCP111/112

Note: Unless otherwise indicated, all limits are specified for $V_{DD} = 1V$ to $5.5V$, $R_{PU} = 100\text{ k}\Omega$ (only **MCP111**; see **Figure 4-1**), $T_A = -40^\circ\text{C}$ to $+125^\circ\text{C}$.



FIGURE 2-7: V_{TRIP} and V_{HYST} vs. Temperature (**MCP111-195**).

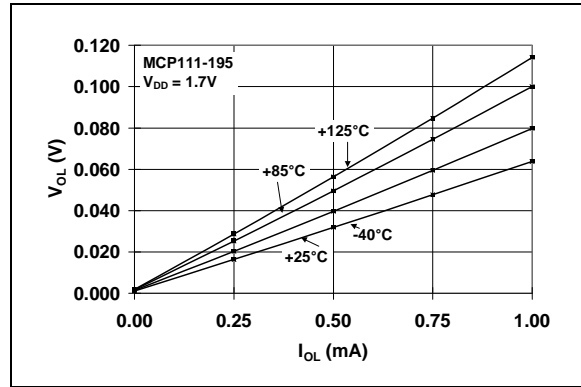


FIGURE 2-10: V_{OL} vs. I_{OL} (**MCP111-195** @ $V_{DD} = 1.7V$).



FIGURE 2-8: V_{TRIP} and V_{HYST} vs. Temperature (**MCP112-300**).

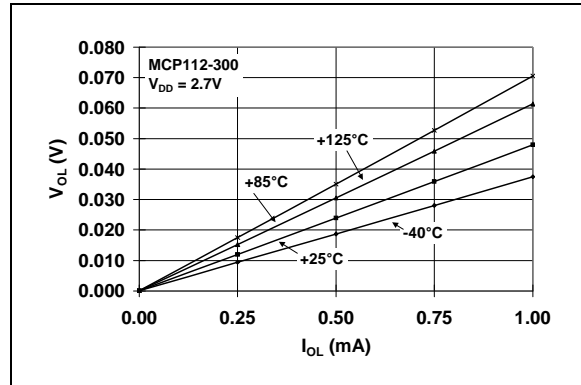


FIGURE 2-11: V_{OL} vs. I_{OL} (**MCP112-300** @ $V_{DD} = 2.7V$).



FIGURE 2-9: V_{TRIP} and V_{HYST} vs. Temperature (**MCP112-475**).

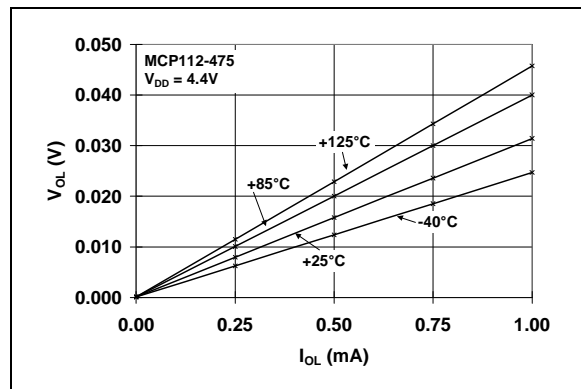


FIGURE 2-12: V_{OL} vs. I_{OL} (**MCP112-475** @ $V_{DD} = 4.4V$).

Note: Unless otherwise indicated, all limits are specified for $V_{DD} = 1V$ to $5.5V$, $R_{PU} = 100\text{ k}\Omega$ (only MCP111; see Figure 4-1), $T_A = -40^\circ\text{C}$ to $+125^\circ\text{C}$.

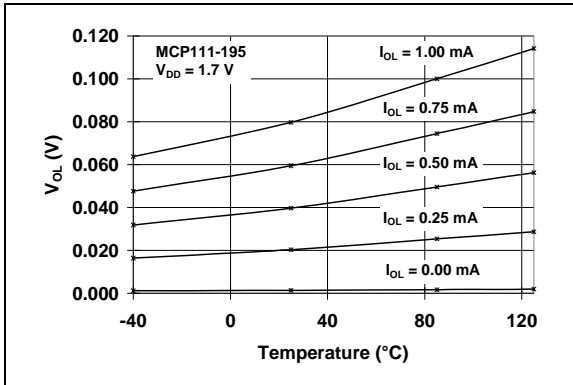


FIGURE 2-13: V_{OL} vs. Temperature (MCP111-195 @ $V_{DD} = 1.7V$).



FIGURE 2-16: V_{OH} vs. I_{OH} (MCP112-300 @ $V_{DD} = 3.1V$).

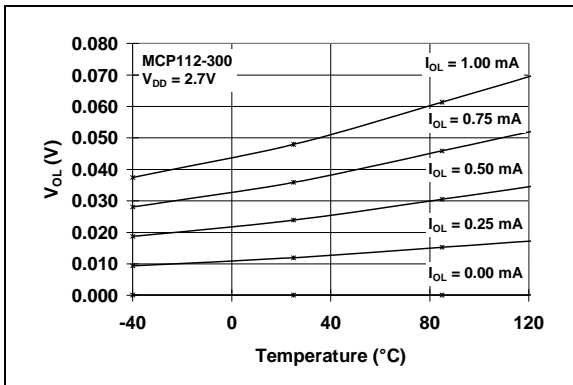


FIGURE 2-14: V_{OL} vs. Temperature (MCP112-300 @ $V_{DD} = 2.7V$).



FIGURE 2-17: V_{OH} vs. I_{OH} (MCP112-475 @ $V_{DD} = 4.8V$).

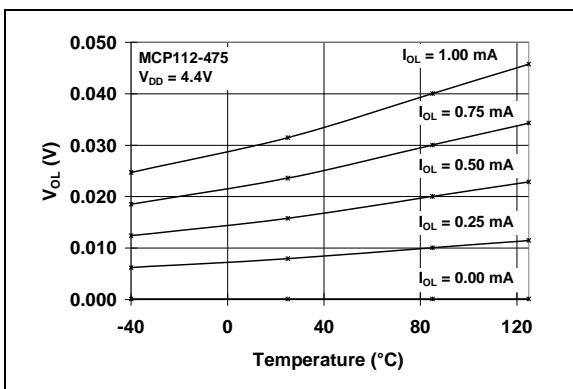


FIGURE 2-15: V_{OL} vs. Temperature (MCP112-475 @ $V_{DD} = 4.4V$).



FIGURE 2-18: Typical Transient Response (25°C).

MCP111/112

Note: Unless otherwise indicated, all limits are specified for $V_{DD} = 1V$ to $5.5V$, $R_{PU} = 100\text{ k}\Omega$ (only MCP111; see Figure 4-1), $T_A = -40^\circ\text{C}$ to $+125^\circ\text{C}$.



FIGURE 2-19: t_{RPD} vs. Temperature (MCP111-195).



FIGURE 2-22: t_{RPU} vs. Temperature (MCP111-195).



FIGURE 2-20: t_{RPD} vs. Temperature (MCP112-300).



FIGURE 2-23: t_{RPU} vs. Temperature (MCP112-300).



FIGURE 2-21: t_{RPD} vs. Temperature (MCP112-475).



FIGURE 2-24: t_{RPU} vs. Temperature (MCP112-475).

Note: Unless otherwise indicated, all limits are specified for $V_{DD} = 1V$ to $5.5V$, $R_{PU} = 100\text{ k}\Omega$ (only MCP111; see Figure 4-1), $T_A = -40^\circ\text{C}$ to $+125^\circ\text{C}$.



FIGURE 2-25: t_{RT} vs. Temperature (MCP111-195).



FIGURE 2-27: t_{RT} vs. Temperature (MCP112-475).



FIGURE 2-26: t_{RT} vs. Temperature (MCP112-300).



FIGURE 2-28: Open-Drain Leakage Current vs. Voltage Applied to V_{OUT} Pin (MCP111-195).

MCP111/112

3.0 PIN DESCRIPTION

The descriptions of the pins are listed in Table 3-1.

TABLE 3-1: PIN FUNCTION TABLE

| Pin No. | | | Symbol | Function |
|-------------------|----------|-------|-----------|--|
| SOT-23-3 SC-70 | SOT-89-3 | T0-92 | | |
| 1 | 1 | 1 | V_{OUT} | Output State V_{DD} Falling: $H = V_{DD} > V_{TRIP}$ $L = V_{DD} < V_{TRIP}$ V_{DD} Rising: $H = V_{DD} > V_{TRIP} + V_{HYS}$ $L = V_{DD} < V_{TRIP} + V_{HYS}$ |
| 2 | 2 | 3 | V_{SS} | Ground reference |
| 3 | 3 | 2 | V_{DD} | Positive power supply |
| — | 4 | — | V_{DD} | Positive power supply |

4.0 APPLICATION INFORMATION

For many of today's microcontroller applications, care must be taken to prevent low-power conditions that can cause many different system-power problems. The most common causes are brown-out conditions, where the system supply drops below the operating level momentarily. The second most common cause is when a slowly decaying power supply causes the microcontroller to begin executing instructions without sufficient voltage to sustain SRAM, thus producing indeterminate results. Figure 4-1 shows a typical application circuit.



FIGURE 4-1: Typical Application Circuit.

4.1 V_{TRIP} Operation

The voltage trip point (V_{TRIP}) is determined on the falling edge of V_{DD} . The actual voltage trip point (V_{TRIPAC}) will be between the minimum trip point ($V_{TRIPMIN}$) and the maximum trip point ($V_{TRIPMAX}$). There is a hysteresis on this trip point to remove any "jitter" that would occur on the V_{OUT} pin when the device V_{DD} is at the trip point.

Figure 4-2 shows the state of the V_{OUT} pin as determined by the V_{DD} voltage. The V_{TRIP} specification is for falling V_{DD} voltages. When the V_{DD} voltage is rising, the V_{OUT} pin will not be driven high until V_{DD} is at $V_{TRIP} + V_{HYS}$.



FIGURE 4-2: V_{OUT} Operation as Determined by the V_{TRIP} and V_{HYS} .

MCP111/112

4.2 Negative Going V_{DD} Transients

The minimum pulse width (time) required to cause a reset may be an important criteria in the implementation of a Power-on Reset (POR) circuit. This time is referred to as transient duration, defined as the amount of time needed for these supervisory devices to respond to a drop in V_{DD} . The transient duration time is dependant on the magnitude of $V_{TRIP} - V_{DD}$. Generally speaking, the transient duration decreases with increases in $V_{TRIP} - V_{DD}$.

Figure 4-3 shows a typical transient duration vs. reset comparator overdrive for which the MCP111/112 will not generate a reset pulse. It shows that the farther below the trip point the transient pulse goes, the duration of the pulse required to cause a reset gets shorter. Figure 2-18 shows the transient response characteristics for the MCP111/112.

A 0.1 μF bypass capacitor, mounted as close as possible to the V_{DD} pin, provides additional transient immunity (refer to Figure 4-1).



FIGURE 4-3: Example of Typical Transient Duration Waveform.

4.3 Effect of Temperature on Time-out Period (t_{RPU})

The time-out period (t_{RPU}) determines how long the device remains in the reset condition. This is affected by both V_{DD} and temperature. The graph shown in Figures 2-22, 2-23 and 2-24 show the typical response for different V_{DD} values and temperatures.

4.4 Using in PIC[®] Microcontroller ICSP[™] Applications (MCP111 only)

Figure 4-4 shows the typical application circuit for using the MCP111 for voltage supervisory function when the PIC microcontroller will be programmed via the In-Circuit Serial Programming[™] (ICSP) feature. Additional information is available in TB087, "Using Voltage Supervisors with PIC[®] Microcontroller Systems which Implement In-Circuit Serial Programming[™]", DS91087.

Note: It is recommended that the current into the $\overline{\text{RST}}$ pin be current limited by a 1 k Ω resistor.

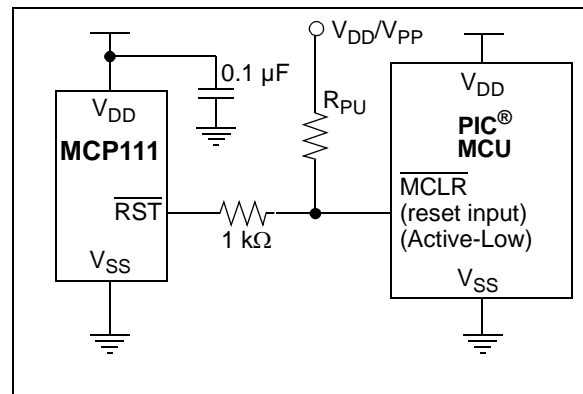


FIGURE 4-4: Typical Application Circuit for PIC[®] Microcontroller with the ICSP[™] feature.

5.0 PACKAGING INFORMATION

5.1 Package Marking Information

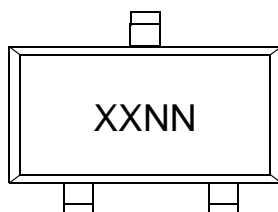
3-Lead TO-92



Example:



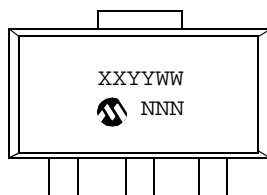
3-Pin SOT-23



Example:

| Part Number | SOT-23 | Part Number | SOT-23 |
|-----------------|--------|-----------------|--------|
| MCP111T-195I/TT | MPNN | MCP112T-195I/TT | MRNN |
| MCP111T-240ETT | MQNN | MCP112T-240ETT | MSNN |
| MCP111T-270E/TT | MGNN | MCP112T-270E/TT | MANN |
| MCP111T-290E/TT | NHNN | MCP112T-290E/TT | MBNN |
| MCP111T-300E/TT | MJNN | MCP112T-300E/TT | MCNN |
| MCP111T-315E/TT | MKNN | MCP112T-315E/TT | MDNN |
| MCP111T-450E/TT | MLNN | MCP112T-450E/TT | MENN |
| MCP111T-475E/TT | MMNN | MCP112T-475E/TT | MFNN |

3-Pin SOT-89



Example:

| Part Number | SOT-89 | Part Number | SOT-89 |
|-----------------|--------|-----------------|--------|
| MCP111T-195I/MB | MP | MCP112T-195I/MB | MR |
| MCP111T-240EMB | MQ | MCP112T-240EMB | MS |
| MCP111T-270E/MB | MG | MCP112T-270E/MB | MA |
| MCP111T-290E/MB | NH | MCP112T-290E/MB | MB |
| MCP111T-300E/MB | MJ | MCP112T-300E/MB | MC |
| MCP111T-315E/MB | MK | MCP112T-315E/MB | MD |
| MCP111T-450E/MB | ML | MCP112T-450E/MB | ME |
| MCP111T-475E/MB | MM | MCP112T-475E/MB | MF |

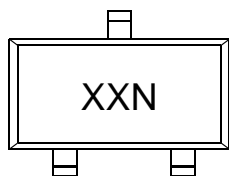
Legend: XX...X Customer-specific information
 Y Year code (last digit of calendar year)
 WW Week code (week of January 1 is week '01')
 NNN Alphanumeric traceability code
 (e3) Pb-free JEDEC designator for Matte Tin (Sn)
 * This package is Pb-free. The Pb-free JEDEC designator (e3) can be found on the outer packaging for this package.

Note: In the event the full Microchip part number cannot be marked on one line, it will be carried over to the next line, thus limiting the number of available characters for customer-specific information.

MCP111/112

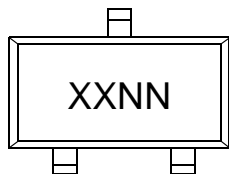
Package Marking Information (Continued)

3-Pin SC-70



Top Side

OR



Top Side

Example:

| Part Number | SC-70 | Part Number | SC-70 |
|-----------------|-------|-----------------|-------|
| MCP111T-195I/LB | EPN | MCP112T-195I/LB | ERN |
| MCP111T-240E/LB | EQN | MCP112T-240E/LB | ESN |
| MCP111T-270E/LB | EGN | MCP112T-270E/LB | EAN |
| MCP111T-290E/LB | EHN | MCP112T-290E/LB | EBN |
| MCP111T-300E/LB | EJN | MCP112T-300E/LB | ECN |
| MCP111T-315E/LB | EKN | MCP112T-315E/LB | EDN |
| MCP111T-450E/LB | ELN | MCP112T-450E/LB | EEN |
| MCP111T-475E/LB | EMN | MCP112T-475E/LB | EFN |

Example:

| Part Number | SC-70 | Part Number | SC-70 |
|-----------------|-------|-----------------|-------|
| MCP111T-195I/LB | EPNN | MCP112T-195I/LB | ERNN |
| MCP111T-240E/LB | EQNN | MCP112T-240E/LB | ESNN |
| MCP111T-270E/LB | EGNN | MCP112T-270E/LB | EANN |
| MCP111T-290E/LB | EHNN | MCP112T-290E/LB | EBNN |
| MCP111T-300E/LB | EJNN | MCP112T-300E/LB | ECNN |
| MCP111T-315E/LB | EKNN | MCP112T-315E/LB | EDNN |
| MCP111T-450E/LB | ELNN | MCP112T-450E/LB | EENN |
| MCP111T-475E/LB | EMNN | MCP112T-475E/LB | EFNN |

3-Lead Plastic Small Outline Transistor (MB) (SOT89)

Note: For the most current package drawings, please see the Microchip Packaging Specification located at <http://www.microchip.com/packaging>



| Dimension Limits | Units | INCHES | | MILLIMETERS* | |
|------------------------------|-------|----------|------|--------------|------|
| | | MIN | MAX | MIN | MAX |
| Pitch | p | .059 BSC | | 1.50 BSC | |
| Outside lead pitch (basic) | p1 | .118 BSC | | 3.00 BSC | |
| Overall Height | A | .055 | .063 | 1.40 | 1.60 |
| Overall Width | H | .155 | .167 | 3.94 | 4.25 |
| Molded Package Width at Base | E | .090 | .102 | 2.29 | 2.60 |
| Molded Package Width at Top | E1 | .084 | .090 | 2.13 | 2.29 |
| Overall Length | D | .173 | .181 | 4.40 | 4.60 |
| Tab Length | D1 | .064 | .072 | 1.62 | 1.83 |
| Tab Corner Radii | R | .010 | | 0.254 | |
| Foot Length | L | .035 | .047 | 0.89 | 1.20 |
| Lead Thickness | c | .014 | .017 | 0.35 | 0.44 |
| Lead 2 Width | B | .017 | .022 | 0.43 | 0.56 |
| Leads 1 & 3 Width | B1 | .014 | .019 | 0.36 | 0.48 |

*Controlling Parameter

Notes:

Dimensions D and E1 do not include mold or flash protrusions. Mold flash or protrusions shall not exceed .005" (0.127mm) per side.

JEDEC Equivalent: TO-243

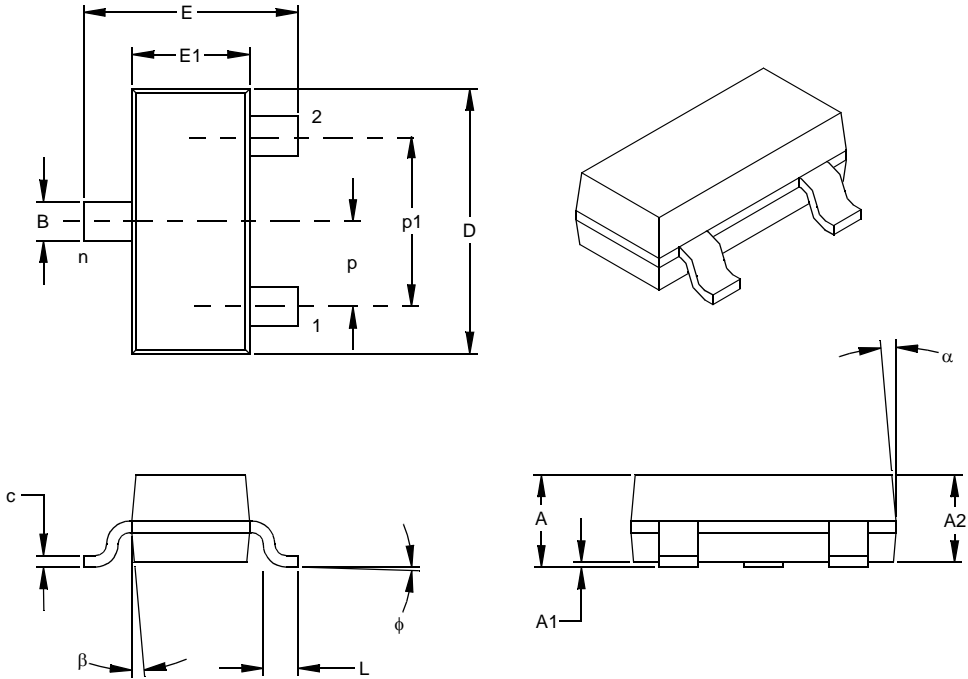
Drawing No. C04-29

Revised 07-24-03

MCP111/112

3-Lead Plastic Small Outline Transistor (TT) (SOT-23)

Note: For the most current package drawings, please see the Microchip Packaging Specification located at <http://www.microchip.com/packaging>



| Dimension Limits | Units | INCHES* | | | MILLIMETERS | | |
|----------------------------|-------|---------|------|------|-------------|------|------|
| | | MIN | NOM | MAX | MIN | NOM | MAX |
| Number of Pins | n | | 3 | | | 3 | |
| Pitch | p | | .038 | | | 0.96 | |
| Outside lead pitch (basic) | p1 | | .076 | | | 1.92 | |
| Overall Height | A | .035 | .040 | .044 | 0.89 | 1.01 | 1.12 |
| Molded Package Thickness | A2 | .035 | .037 | .040 | 0.88 | 0.95 | 1.02 |
| Standoff § | A1 | .000 | .002 | .004 | 0.01 | 0.06 | 0.10 |
| Overall Width | E | .083 | .093 | .104 | 2.10 | 2.37 | 2.64 |
| Molded Package Width | E1 | .047 | .051 | .055 | 1.20 | 1.30 | 1.40 |
| Overall Length | D | .110 | .115 | .120 | 2.80 | 2.92 | 3.04 |
| Foot Length | L | .014 | .018 | .022 | 0.35 | 0.45 | 0.55 |
| Foot Angle | φ | 0 | 5 | 10 | 0 | 5 | 10 |
| Lead Thickness | c | .004 | .006 | .007 | 0.09 | 0.14 | 0.18 |
| Lead Width | B | .015 | .017 | .020 | 0.37 | 0.44 | 0.51 |
| Mold Draft Angle Top | α | 0 | 5 | 10 | 0 | 5 | 10 |
| Mold Draft Angle Bottom | β | 0 | 5 | 10 | 0 | 5 | 10 |

* Controlling Parameter

§ Significant Characteristic

Notes:

Dimensions D and E1 do not include mold flash or protrusions. Mold flash or protrusions shall not exceed .010" (0.254mm) per side.

JEDEC Equivalent: TO-236

Drawing No. C04-104

3-Lead Plastic Small Outline Transistor (LB) (SC-70)

Note: For the most current package drawings, please see the Microchip Packaging Specification located at <http://www.microchip.com/packaging>



| Dimension Limits | Units | INCHES | | MILLIMETERS* | |
|----------------------------|-------|-----------|-------|--------------|------|
| | | MIN | MAX | MIN | MAX |
| Number of Pins | | 3 | | 3 | |
| Pitch | P | .026 BSC. | | 0.65 BSC. | |
| Outside lead pitch (basic) | p1 | .051 BSC. | | 1.30 BSC. | |
| Overall Height | A | .031 | .043 | 0.80 | 1.10 |
| Molded Package Thickness | A2 | .031 | .039 | 0.80 | 1.00 |
| Standoff | A1 | .000 | .0004 | 0.00 | .010 |
| Overall Width | E | .071 | .094 | 1.80 | 2.40 |
| Molded Package Width | E1 | .045 | .053 | 1.15 | 1.35 |
| Overall Length | D | .071 | .089 | 1.80 | 2.25 |
| Foot Length | L | .004 | .016 | 0.10 | 0.41 |
| Lead Thickness | c | .003 | .010 | 0.08 | 0.25 |
| Lead Width | B | .006 | .016 | 0.15 | 0.40 |
| Mold Draft Angle Top | a | 8° | 12° | 8° | 12° |
| Mold Draft Angle Bottom | b | 8° | 12° | 8° | 12° |

*Controlling Parameter

Notes:

Dimensions D and E1 do not include mold flash or protrusions. Mold flash or protrusions shall not exceed .005" (0.127mm) per side.

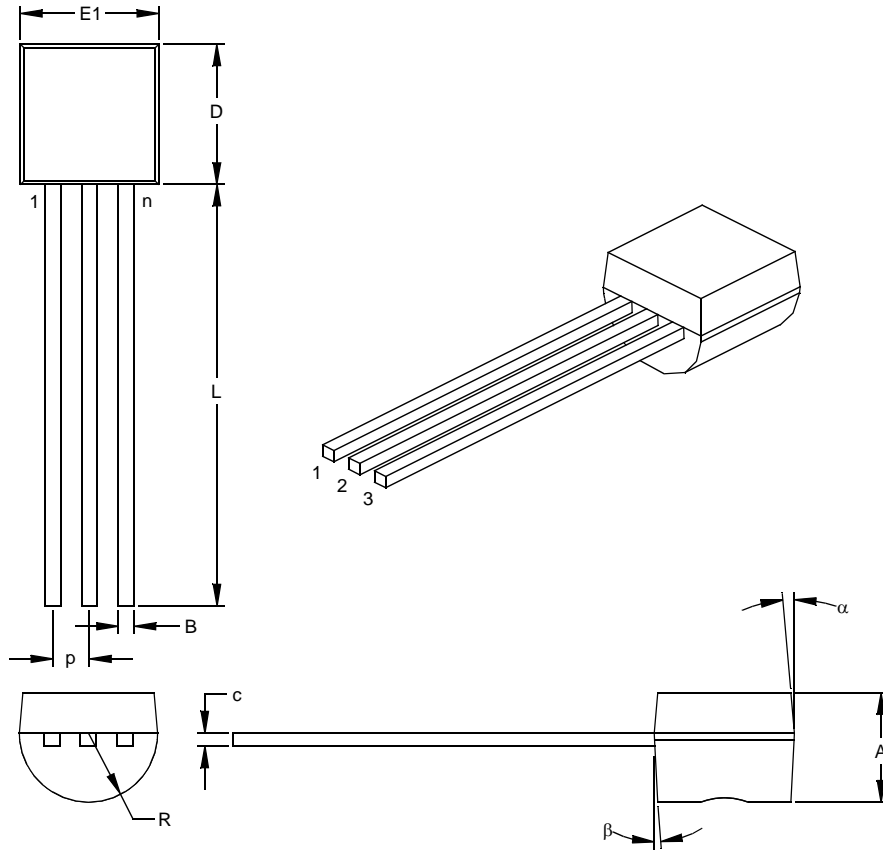
JEITA (EIAJ) Equivalent: SC70

Drawing No. C04-104

MCP111/112

3-Lead Plastic Transistor Outline (TO) (TO-92)

Note: For the most current package drawings, please see the Microchip Packaging Specification located at <http://www.microchip.com/packaging>



| Dimension Limits | Units | INCHES* | | | MILLIMETERS | | |
|-------------------------|----------|---------|------|------|-------------|-------|-------|
| | | MIN | NOM | MAX | MIN | NOM | MAX |
| Number of Pins | n | | 3 | | | 3 | |
| Pitch | p | | .050 | | | 1.27 | |
| Bottom to Package Flat | A | .130 | .143 | .155 | 3.30 | 3.62 | 3.94 |
| Overall Width | E1 | .175 | .186 | .195 | 4.45 | 4.71 | 4.95 |
| Overall Length | D | .170 | .183 | .195 | 4.32 | 4.64 | 4.95 |
| Molded Package Radius | R | .085 | .090 | .095 | 2.16 | 2.29 | 2.41 |
| Tip to Seating Plane | L | .500 | .555 | .610 | 12.70 | 14.10 | 15.49 |
| Lead Thickness | c | .014 | .017 | .020 | 0.36 | 0.43 | 0.51 |
| Lead Width | B | .016 | .019 | .022 | 0.41 | 0.48 | 0.56 |
| Mold Draft Angle Top | α | 4 | 5 | 6 | 4 | 5 | 6 |
| Mold Draft Angle Bottom | β | 2 | 3 | 4 | 2 | 3 | 4 |

*Controlling Parameter

Notes:

Dimensions D and E1 do not include mold flash or protrusions. Mold flash or protrusions shall not exceed .010" (0.254mm) per side.

JEDEC Equivalent: TO-92

Drawing No. C04-101

5.2 Product Tape and Reel Specifications

FIGURE 5-1: EMBOSSED CARRIER DIMENSIONS (8, 12, 16 AND 24 MM TAPE ONLY)

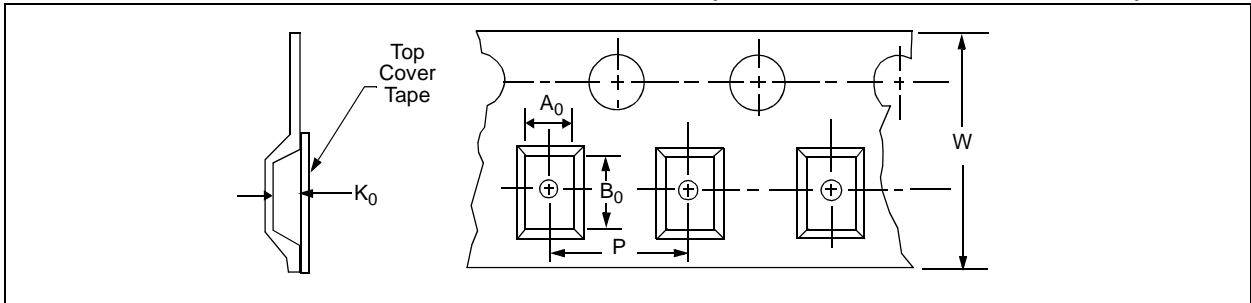
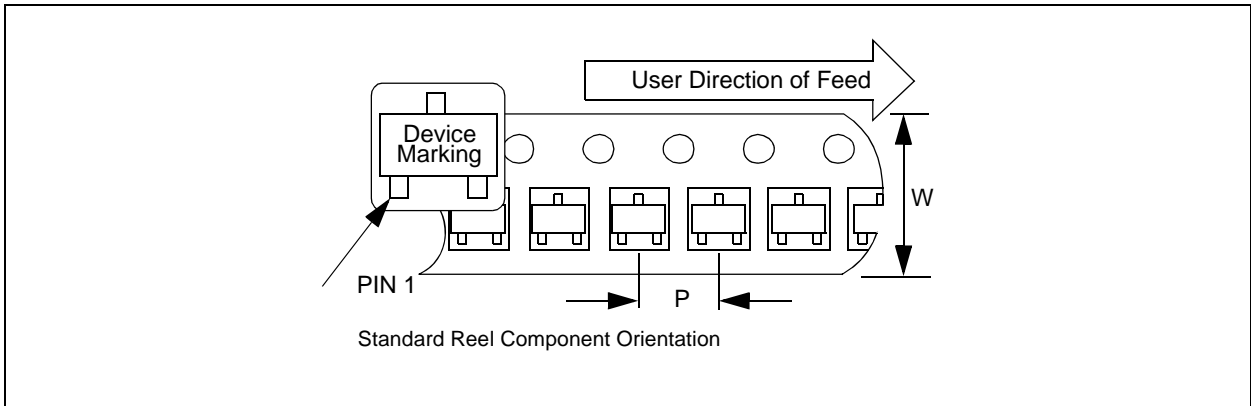


TABLE 1: CARRIER TAPE/CAVITY DIMENSIONS

| Case Outline | Package Type | | Carrier Dimensions | | Cavity Dimensions | | | Output Quantity Units | Reel Diameter in mm |
|--------------|--------------|----|--------------------|------|-------------------|-------|-------|-----------------------|---------------------|
| | | | W mm | P mm | A0 mm | B0 mm | K0 mm | | |
| TT | SOT-23B | 3L | 8 | 4 | 3.15 | 2.77 | 1.22 | 3000 | 180 |
| LB | SC-70 | 3L | 8 | 4 | 2.4 | 2.4 | 1.19 | 3000 | 180 |

FIGURE 5-2: 3-LEAD SOT-23/SC70 DEVICE TAPE AND REEL SPECIFICATIONS

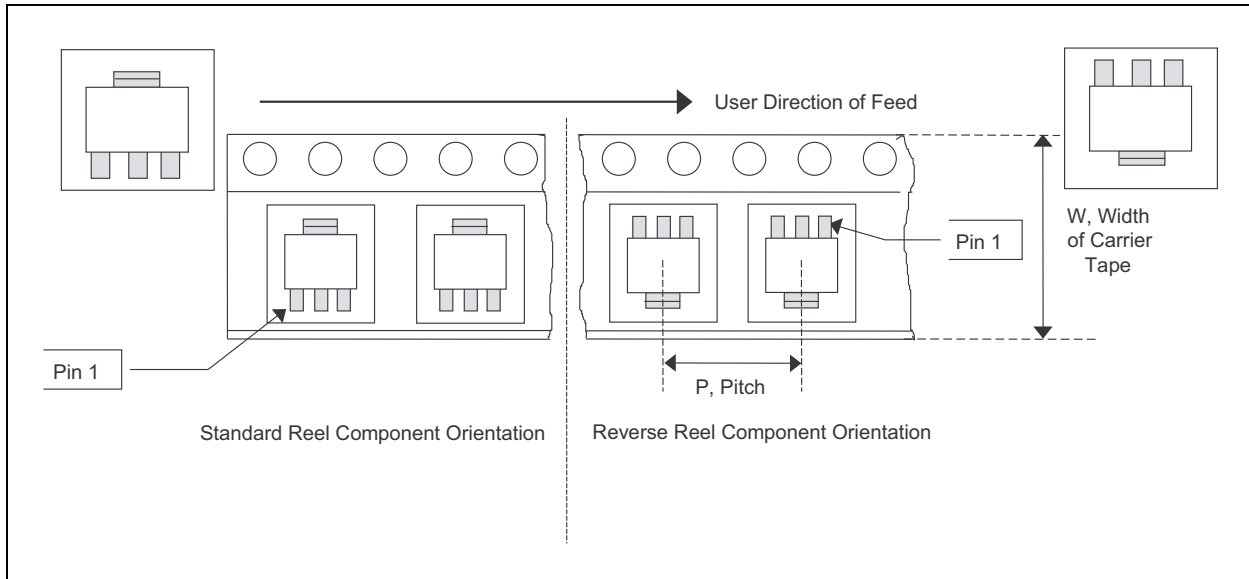


MCP111/112

FIGURE 5-3: TO-92 DEVICES



FIGURE 5-4: SOT-89 DEVICES



APPENDIX A: REVISION HISTORY

Revision E (January 2013)

- Added a note to each package outline drawing.

Revision D (June 2005)

1. Added SOT-89-3 package information throughout.

Revision C (March 2005)

The following is the list of modifications:

1. Added **Section 4.4 “Using in PIC® Microcontroller ICSP™ Applications (MCP111 only)”** on using the MCP111 in PIC microcontroller ICSP applications.
2. Added V_{ODH} specifications in **Section 1.0 “Electrical Characteristics”** (for ICSP applications).
3. Added Figure 2-28.
4. Added devices features table to page 1.
5. Updated SC-70 package markings and added Pb-free marking information to **Section 5.0 “Packaging information”**.
6. Added **Appendix A: “Revision History”**.

Revision B (August 2004)

1. Corrected package marking information in **Section 5.0 “Packaging information”**

Revision A (May 2004)

- Original Release of this Document.

MCP111/112

NOTES:

PRODUCT IDENTIFICATION SYSTEM

To order or obtain information, e.g., on pricing or delivery, refer to the factory or the listed sales office.

| <u>PART NO.</u> | <u>X</u> | <u>XXX</u> | <u>X</u> | <u>XX</u> |
|---------------------|------------------|---|--|----------------------|
| Device | Tape/Reel Option | Monitoring Options | Temperature Range | Package |
| Device: | | | | |
| | | MCP111: MicroPower Voltage Detector, open-drain | | |
| | | MCP111T: MicroPower Voltage Detector, open-drain (Tape and Reel) | | |
| | | MCP112: MicroPower Voltage Detector, push-pull | | |
| | | MCP112T: MicroPower Voltage Detector, push-pull (Tape and Reel) | | |
| Monitoring Options: | | 195 = 1.90V | | |
| | | 240 = 2.32V | | |
| | | 270 = 2.63V | | |
| | | 290 = 2.90V | | |
| | | 300 = 2.93V | | |
| | | 315 = 3.08V | | |
| | | 450 = 4.38V | | |
| | | 475 = 4.63V | | |
| Temperature Range: | | | I = -40°C to +85°C (MCP11X-195 only) | |
| | | | E = -40°C to +125°C (Except MCP11X-195 only) | |
| Package: | | | | LB = SC-70, 3-lead |
| | | | | MB = SOT-89, 3-lead |
| | | | | TO = TO-92, 3-lead |
| | | | | TT = SOT-23B, 3-lead |
| Examples: | | | | |
| a) | MCP111T-195I/TT: | Tape and Reel, 1.95V option, open-drain, -40°C to +85°C, SOT-23B package. | | |
| b) | MCP111T-315E/LB: | Tape and Reel, 3.15V option, open-drain, -40°C to +125°C, SC-70-3 package. | | |
| c) | MCP111-300E/TO: | 3.00V option, open-drain, -40°C to +125°C, TO-92-3 package. | | |
| d) | MCP111-315E/MB: | 3.15V option, open-drain, -40°C to +125°C, SOT-89-3 package. | | |
| a) | MCP112T-290E/TT: | Tape and Reel, 2.90V option, push-pull, -40°C to +125°C, SOT-23B-3 package. | | |
| b) | MCP112T-475E/LB: | Tape and Reel, 4.75V option, push-pull, -40°C to +125°C, SC-70-3 package. | | |
| c) | MCP112-450E/TO: | 4.5V option, push-pull, -40°C to +125°C, TO-92-3 package. | | |
| d) | MCP112-315E/MB: | 3.15V option, push-pull, -40°C to +125°C, SOT-89-3 package. | | |

MCP111/112

NOTES:

Note the following details of the code protection feature on Microchip devices:

- Microchip products meet the specification contained in their particular Microchip Data Sheet.
- Microchip believes that its family of products is one of the most secure families of its kind on the market today, when used in the intended manner and under normal conditions.
- There are dishonest and possibly illegal methods used to breach the code protection feature. All of these methods, to our knowledge, require using the Microchip products in a manner outside the operating specifications contained in Microchip's Data Sheets. Most likely, the person doing so is engaged in theft of intellectual property.
- Microchip is willing to work with the customer who is concerned about the integrity of their code.
- Neither Microchip nor any other semiconductor manufacturer can guarantee the security of their code. Code protection does not mean that we are guaranteeing the product as “unbreakable.”

Code protection is constantly evolving. We at Microchip are committed to continuously improving the code protection features of our products. Attempts to break Microchip's code protection feature may be a violation of the Digital Millennium Copyright Act. If such acts allow unauthorized access to your software or other copyrighted work, you may have a right to sue for relief under that Act.

Information contained in this publication regarding device applications and the like is provided only for your convenience and may be superseded by updates. It is your responsibility to ensure that your application meets with your specifications. MICROCHIP MAKES NO REPRESENTATIONS OR WARRANTIES OF ANY KIND WHETHER EXPRESS OR IMPLIED, WRITTEN OR ORAL, STATUTORY OR OTHERWISE, RELATED TO THE INFORMATION, INCLUDING BUT NOT LIMITED TO ITS CONDITION, QUALITY, PERFORMANCE, MERCHANTABILITY OR FITNESS FOR PURPOSE. Microchip disclaims all liability arising from this information and its use. Use of Microchip devices in life support and/or safety applications is entirely at the buyer's risk, and the buyer agrees to defend, indemnify and hold harmless Microchip from any and all damages, claims, suits, or expenses resulting from such use. No licenses are conveyed, implicitly or otherwise, under any Microchip intellectual property rights.

Trademarks

The Microchip name and logo, the Microchip logo, dsPIC, FlashFlex, KEELOQ, KEELOQ logo, MPLAB, PIC, PICmicro, PICSTART, PIC³² logo, rPIC, SST, SST Logo, SuperFlash and UNI/O are registered trademarks of Microchip Technology Incorporated in the U.S.A. and other countries.

FilterLab, Hampshire, HI-TECH C, Linear Active Thermistor, MTP, SEEVAL and The Embedded Control Solutions Company are registered trademarks of Microchip Technology Incorporated in the U.S.A.

Silicon Storage Technology is a registered trademark of Microchip Technology Inc. in other countries.

Analog-for-the-Digital Age, Application Maestro, BodyCom, chipKIT, chipKIT logo, CodeGuard, dsPICDEM, dsPICDEM.net, dsPICworks, dsSPEAK, ECAN, ECONOMONITOR, FanSense, HI-TIDE, In-Circuit Serial Programming, ICSP, Mindi, MiWi, MPASM, MPF, MPLAB Certified logo, MPLIB, MPLINK, mTouch, Omniclient Code Generation, PICC, PICC-18, PICDEM, PICDEM.net, PICkit, PICtail, REAL ICE, rLAB, Select Mode, SQI, Serial Quad I/O, Total Endurance, TSHARC, UniWinDriver, WiperLock, ZENA and Z-Scale are trademarks of Microchip Technology Incorporated in the U.S.A. and other countries.

SQTP is a service mark of Microchip Technology Incorporated in the U.S.A.

GestIC and ULPP are registered trademarks of Microchip Technology Germany II GmbH & Co. & KG, a subsidiary of Microchip Technology Inc., in other countries.

All other trademarks mentioned herein are property of their respective companies.

© 2004-2013, Microchip Technology Incorporated, Printed in the U.S.A., All Rights Reserved.

 Printed on recycled paper.

ISBN: 9781620769133

Microchip received ISO/TS-16949:2009 certification for its worldwide headquarters, design and wafer fabrication facilities in Chandler and Tempe, Arizona; Gresham, Oregon and design centers in California and India. The Company's quality system processes and procedures are for its PIC[®] MCUs and dsPIC[®] DSCs, KEELOQ[®] code hopping devices, Serial EEPROMs, microperipherals, nonvolatile memory and analog products. In addition, Microchip's quality system for the design and manufacture of development systems is ISO 9001:2000 certified.

**QUALITY MANAGEMENT SYSTEM
CERTIFIED BY DNV
= ISO/TS 16949 =**



MICROCHIP

Worldwide Sales and Service

AMERICAS

Corporate Office
2355 West Chandler Blvd.
Chandler, AZ 85224-6199
Tel: 480-792-7200
Fax: 480-792-7277
Technical Support:
<http://www.microchip.com/support>
Web Address:
www.microchip.com

Atlanta
Duluth, GA
Tel: 678-957-9614
Fax: 678-957-1455

Boston
Westborough, MA
Tel: 774-760-0087
Fax: 774-760-0088

Chicago
Itasca, IL
Tel: 630-285-0071
Fax: 630-285-0075

Cleveland
Independence, OH
Tel: 216-447-0464
Fax: 216-447-0643

Dallas
Addison, TX
Tel: 972-818-7423
Fax: 972-818-2924

Detroit
Farmington Hills, MI
Tel: 248-538-2250
Fax: 248-538-2260

Indianapolis
Noblesville, IN
Tel: 317-773-8323
Fax: 317-773-5453

Los Angeles
Mission Viejo, CA
Tel: 949-462-9523
Fax: 949-462-9608

Santa Clara
Santa Clara, CA
Tel: 408-961-6444
Fax: 408-961-6445

Toronto
Mississauga, Ontario,
Canada
Tel: 905-673-0699
Fax: 905-673-6509

ASIA/PACIFIC

Asia Pacific Office
Suites 3707-14, 37th Floor
Tower 6, The Gateway
Harbour City, Kowloon
Hong Kong
Tel: 852-2401-1200
Fax: 852-2401-3431

Australia - Sydney
Tel: 61-2-9868-6733
Fax: 61-2-9868-6755

China - Beijing
Tel: 86-10-8569-7000
Fax: 86-10-8528-2104

China - Chengdu
Tel: 86-28-8665-5511
Fax: 86-28-8665-7889

China - Chongqing
Tel: 86-23-8980-9588
Fax: 86-23-8980-9500

China - Hangzhou
Tel: 86-571-2819-3187
Fax: 86-571-2819-3189

China - Hong Kong SAR
Tel: 852-2943-5100
Fax: 852-2401-3431

China - Nanjing
Tel: 86-25-8473-2460
Fax: 86-25-8473-2470

China - Qingdao
Tel: 86-532-8502-7355
Fax: 86-532-8502-7205

China - Shanghai
Tel: 86-21-5407-5533
Fax: 86-21-5407-5066

China - Shenyang
Tel: 86-24-2334-2829
Fax: 86-24-2334-2393

China - Shenzhen
Tel: 86-755-8864-2200
Fax: 86-755-8203-1760

China - Wuhan
Tel: 86-27-5980-5300
Fax: 86-27-5980-5118

China - Xian
Tel: 86-29-8833-7252
Fax: 86-29-8833-7256

China - Xiamen
Tel: 86-592-2388138
Fax: 86-592-2388130

China - Zhuhai
Tel: 86-756-3210040
Fax: 86-756-3210049

ASIA/PACIFIC

India - Bangalore
Tel: 91-80-3090-4444
Fax: 91-80-3090-4123

India - New Delhi
Tel: 91-11-4160-8631
Fax: 91-11-4160-8632

India - Pune
Tel: 91-20-2566-1512
Fax: 91-20-2566-1513

Japan - Osaka
Tel: 81-6-6152-7160
Fax: 81-6-6152-9310

Japan - Tokyo
Tel: 81-3-6880-3770
Fax: 81-3-6880-3771

Korea - Daegu
Tel: 82-53-744-4301
Fax: 82-53-744-4302

Korea - Seoul
Tel: 82-2-554-7200
Fax: 82-2-558-5932 or
82-2-558-5934

Malaysia - Kuala Lumpur
Tel: 60-3-6201-9857
Fax: 60-3-6201-9859

Malaysia - Penang
Tel: 60-4-227-8870
Fax: 60-4-227-4068

Philippines - Manila
Tel: 63-2-634-9065
Fax: 63-2-634-9069

Singapore
Tel: 65-6334-8870
Fax: 65-6334-8850

Taiwan - Hsin Chu
Tel: 886-3-5778-366
Fax: 886-3-5770-955

Taiwan - Kaohsiung
Tel: 886-7-213-7828
Fax: 886-7-330-9305

Taiwan - Taipei
Tel: 886-2-2508-8600
Fax: 886-2-2508-0102

Thailand - Bangkok
Tel: 66-2-694-1351
Fax: 66-2-694-1350

EUROPE

Austria - Wels
Tel: 43-7242-2244-39
Fax: 43-7242-2244-393

Denmark - Copenhagen
Tel: 45-4450-2828
Fax: 45-4485-2829

France - Paris
Tel: 33-1-69-53-63-20
Fax: 33-1-69-30-90-79

Germany - Munich
Tel: 49-89-627-144-0
Fax: 49-89-627-144-44

Italy - Milan
Tel: 39-0331-742611
Fax: 39-0331-466781

Netherlands - Drunen
Tel: 31-416-690399
Fax: 31-416-690340

Spain - Madrid
Tel: 34-91-708-08-90
Fax: 34-91-708-08-91

UK - Wokingham
Tel: 44-118-921-5869
Fax: 44-118-921-5820

11/29/12



Компания «ЭлектроПласт» предлагает заключение долгосрочных отношений при поставках импортных электронных компонентов на взаимовыгодных условиях!

Наши преимущества:

- Оперативные поставки широкого спектра электронных компонентов отечественного и импортного производства напрямую от производителей и с крупнейших мировых складов;
- Поставка более 17-ти миллионов наименований электронных компонентов;
- Поставка сложных, дефицитных, либо снятых с производства позиций;
- Оперативные сроки поставки под заказ (от 5 рабочих дней);
- Экспресс доставка в любую точку России;
- Техническая поддержка проекта, помощь в подборе аналогов, поставка прототипов;
- Система менеджмента качества сертифицирована по Международному стандарту ISO 9001;
- Лицензия ФСБ на осуществление работ с использованием сведений, составляющих государственную тайну;
- Поставка специализированных компонентов (Xilinx, Altera, Analog Devices, Intersil, Interpoint, Microsemi, Aeroflex, Peregrine, Syfer, Eurofarad, Texas Instrument, Miteq, Cobham, E2V, MA-COM, Hittite, Mini-Circuits, General Dynamics и др.);

Помимо этого, одним из направлений компании «ЭлектроПласт» является направление «Источники питания». Мы предлагаем Вам помощь Конструкторского отдела:

- Подбор оптимального решения, техническое обоснование при выборе компонента;
- Подбор аналогов;
- Консультации по применению компонента;
- Поставка образцов и прототипов;
- Техническая поддержка проекта;
- Защита от снятия компонента с производства.



Как с нами связаться

Телефон: 8 (812) 309 58 32 (многоканальный)

Факс: 8 (812) 320-02-42

Электронная почта: org@eplast1.ru

Адрес: 198099, г. Санкт-Петербург, ул. Калинина, дом 2, корпус 4, литера А.