

# FOR BOARD-TO-BOARD CONNECTION

## 230 SERIES

### ■ FEATURES

- 1.27 mm (0.050 in.) pitch contact arrangement in two rows enables high-density mounting.
- Connectors with 34 to 96 contacts are available for various purposes.
- Connectors with 68 contacts comply with SCSI III interface.
- Connectors with 96 contacts comply with S-bus interface.
- Each of the contacts on the female connector are alternately inset for two-step coupling, significantly reducing insertion force.
- Terminals are spaced in a four-row staggered arrangement (2.54 mm × 1.905 mm) (0.100 in. × 0.075 in.) for easy PC board design.
- Insulation is UL-approved (94V-0).



### ■ SPECIFICATIONS

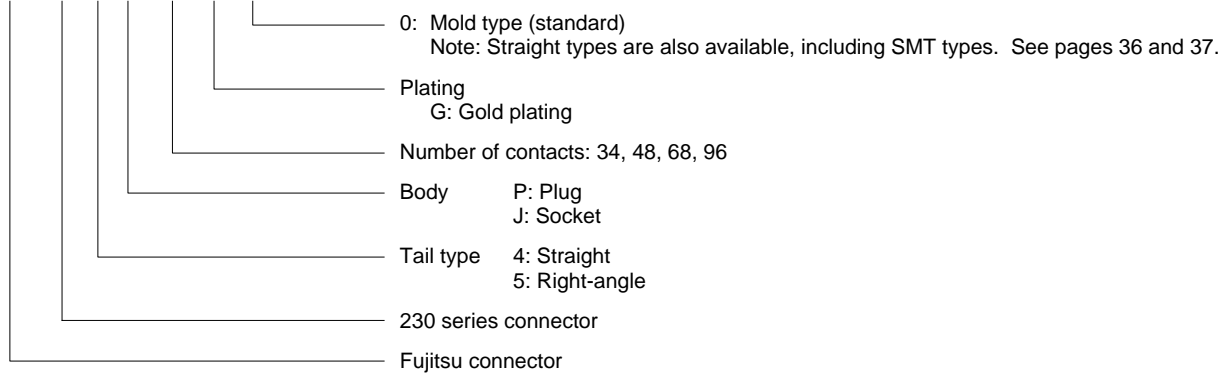
Item	Specifications				
Operating temperature range	-55°C to +105°C				
Current rating	DC 1A				
Voltage rating	AC 240 V				
Contact resistance	30 mΩ max. (DC 6 V, 0.1 A)				
Insulation resistance	1000 MΩ min. (DC 500 V)				
Dielectric withstand voltage	AC 750 V for 1 minute				
Insertion force [kg max.]	Number of contacts	34	48	68	96
	Force	3.0	4.0	5.5	7.0
Withdrawal force [kg min.]	Number of contacts	34	48	68	96
	Force	0.68	0.96	1.36	1.92
Applicable PC board (standard)	1.6 mm (0.063 in.)				

### ■ MATERIALS

Item	Materials	
Insulator	Polyester (UL94V-0)	
Conductor	Copper alloy	
Plating	Contact	Gold plating
	Terminal	Palladium plating

## ORDERING CODE

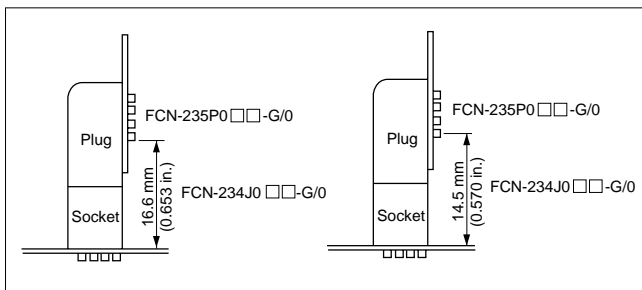
FCN-23 4 P 068-G / 0



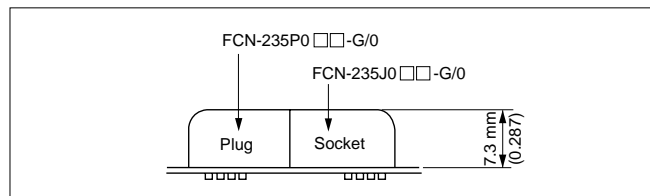
## APPLICATIONS

### Board-to-board connection

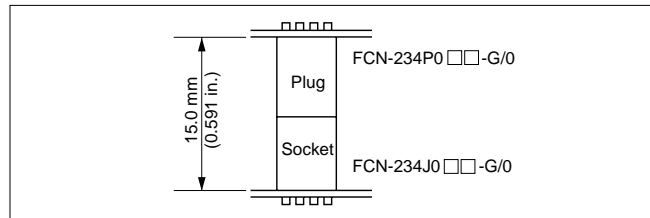
#### Vertical PCB connection



#### Horizontal PCB connection



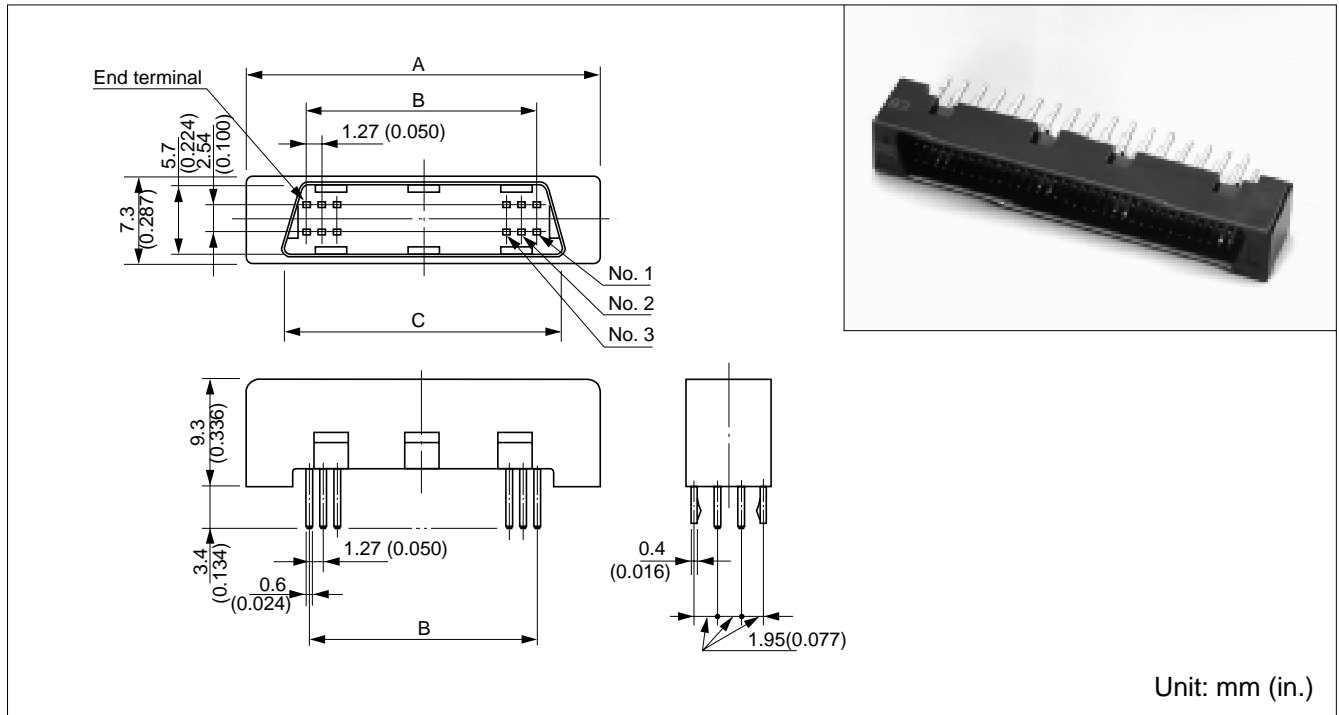
#### Parallel PCB connection



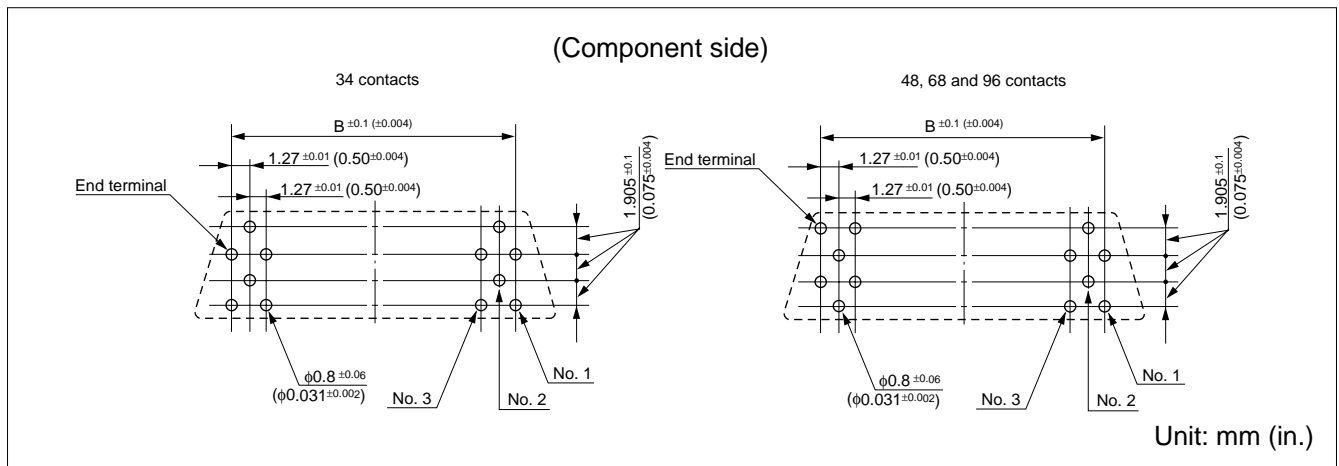
#### Parallel board connection (for a connector with 96 contacts)

Board interval (mm (in.))		15.0	18.75	39.10
Mounting dimension				
Part number	Plug	FCN-234P0XX-G/0	FCN-234P096-G/0 FCN-234P096-G/Y FCN-234P096-G/ZA	FCN-234P096-G/0 FCN-234P096-G/Y FCN-234P096-G/ZA
	Socket	FCN-234J0XX-G/0	FCN-234J096-G/UA FCN-234J096-G/VA FCN-234J096-G/Y	FCN-234J096-G/U1

## STRAIGHT PLUG ■ DIMENSIONS



## ■ MOUNTING HOLE LAYOUT

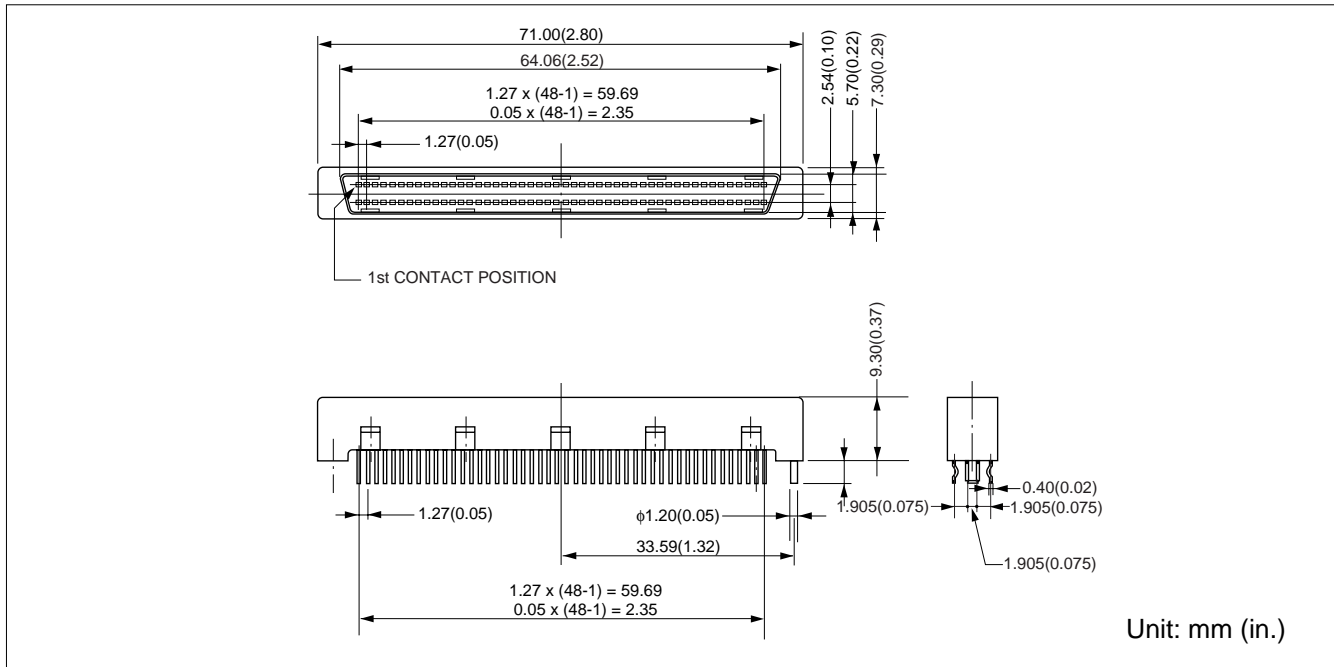


## ■ PART NUMBERS AND DIMENSIONS

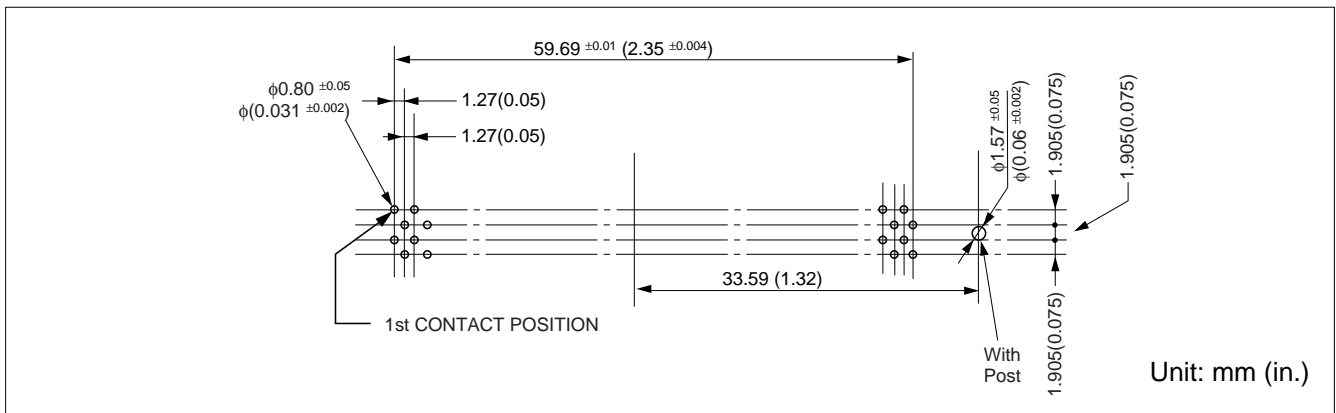
Number of contacts	Part number	Dimensions: mm (in.)		
		A	B	C
34	FCN-234P034-G/0	31.63 (1.245)	20.32 (0.800)	24.69 (0.800)
48	FCN-234P048-G/0	40.52 (1.595)	29.21 (1.150)	33.58 (1.322)
68	FCN-234P068-G/0	53.22 (2.095)	41.91 (1.650)	46.28 (1.822)
96	FCN-234P096-G/0	71.00 (2.795)	59.69 (2.350)	64.06 (2.522)

## FCN-234P096-G/\* STRAIGHT PLUG — S-BUS

### ■ DIMENSIONS



### ■ MOUNTING HOLE LAYOUT

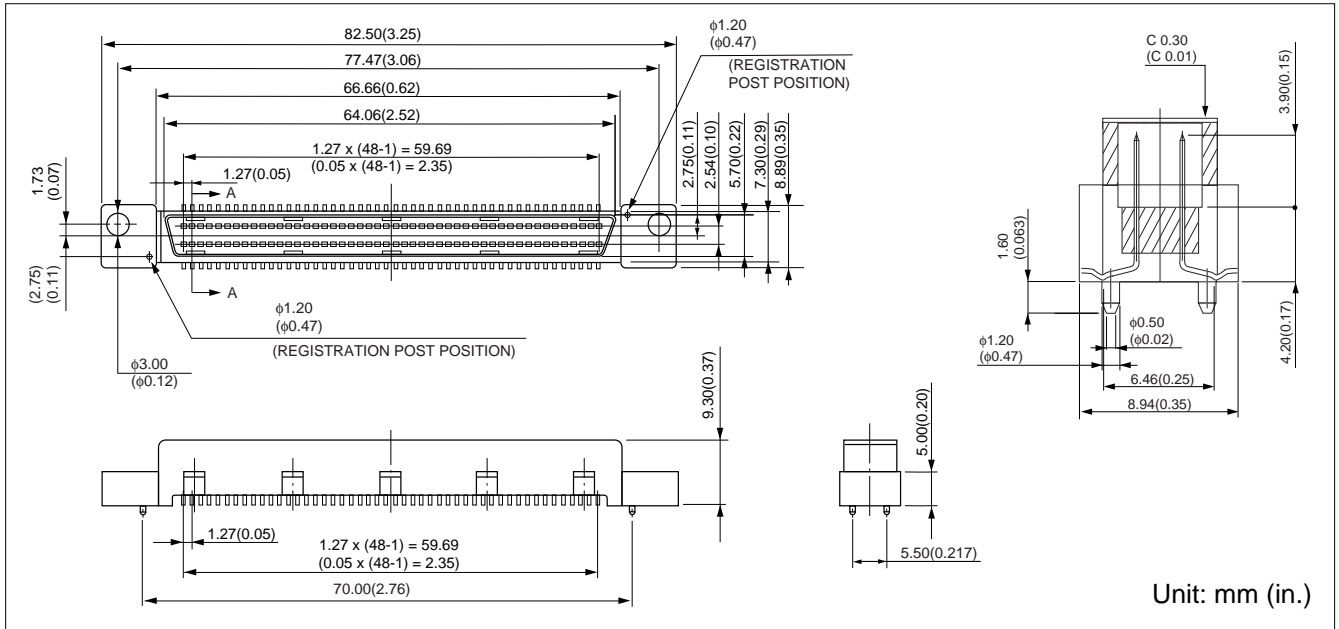


### ■ PART NUMBERS AND DIMENSIONS

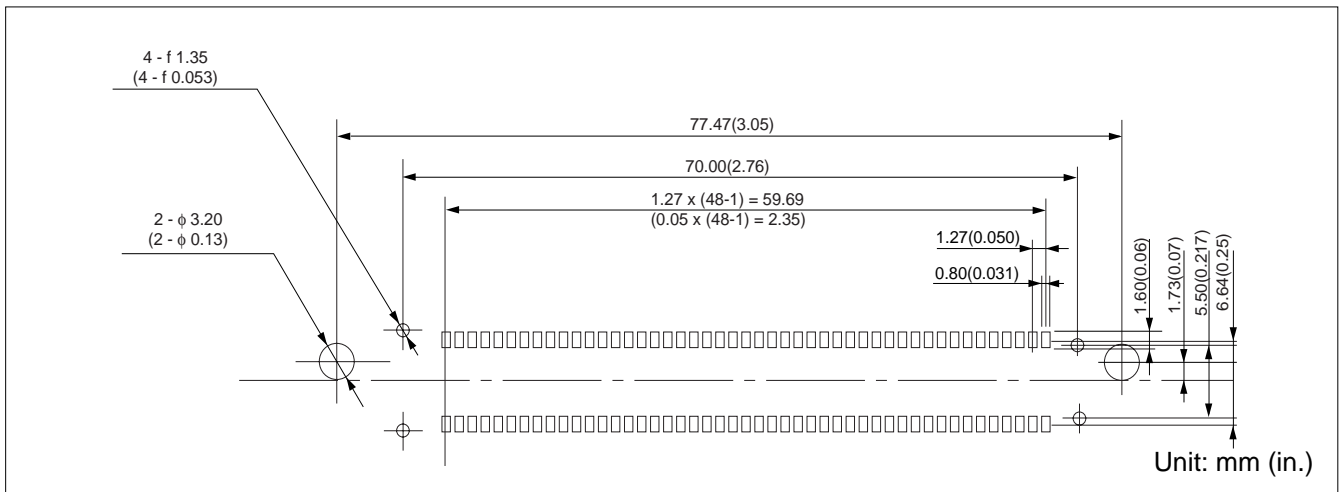
	A Polarization Post	B Lead Length
FCN-234P096-G/0	0	3.4(0.13)
FCN-234P096-G/XA	3.4(0.13)	2.8(0.11)
FCN-234P096-G/Y	4.0(0.16)	3.4(0.13)

## FCN-234P096-G/ZA SMT PLUG

### ■ DIMENSIONS



### ■ PCB PATTERN LAYOUT

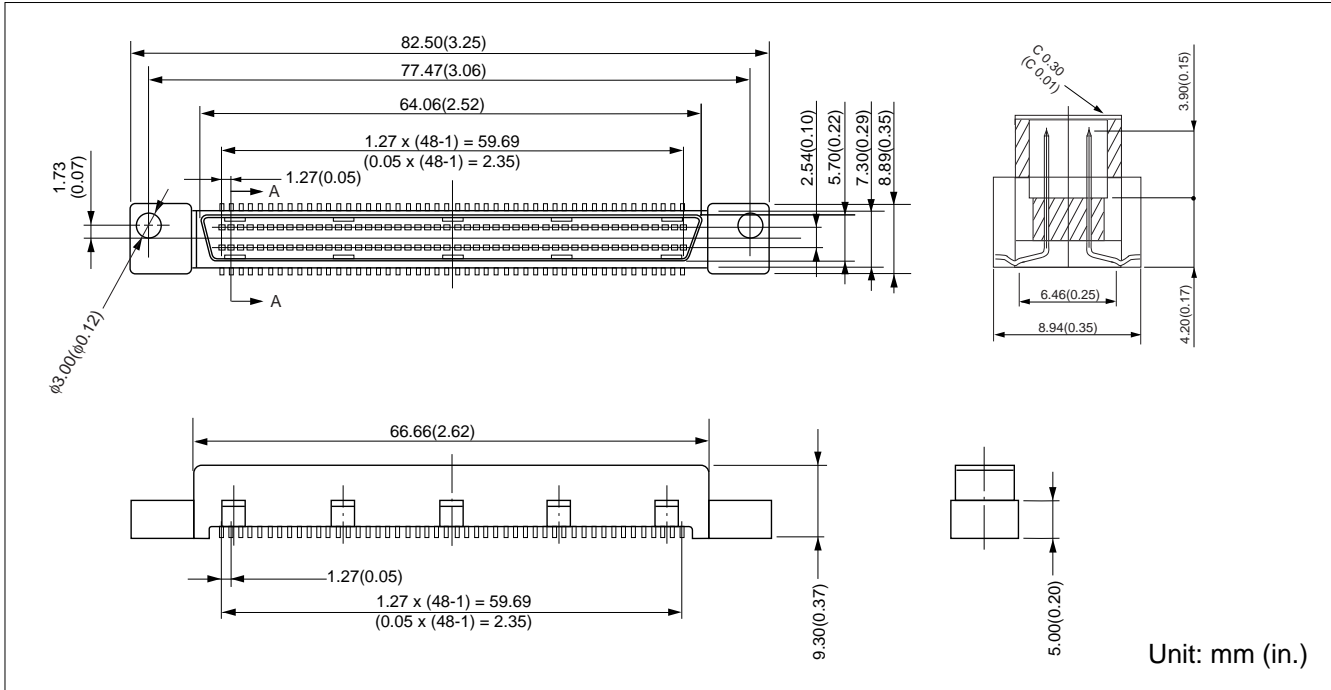


### ■ PART NUMBER

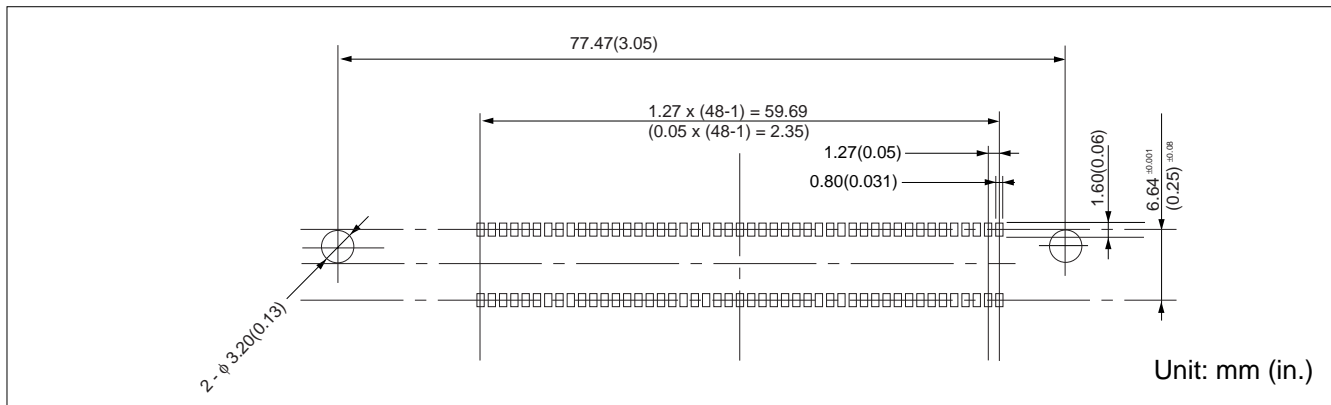
No. of Contacts	Part Number
96	FCN-234P096-G/ZA

## FCN-234P096-G/Z SMT PLUG

### ■ DIMENSIONS



### ■ PCB PATTERN PATTERN LAYOUT

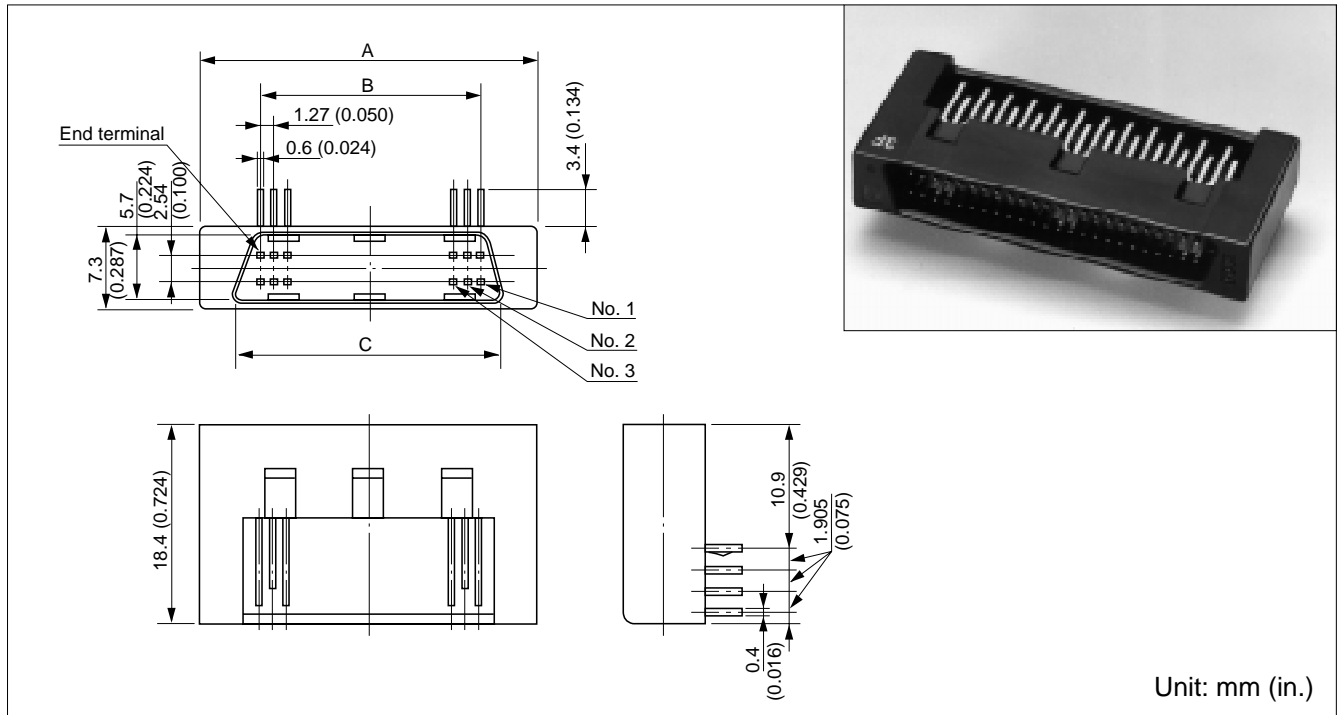


### ■ PART NUMBER

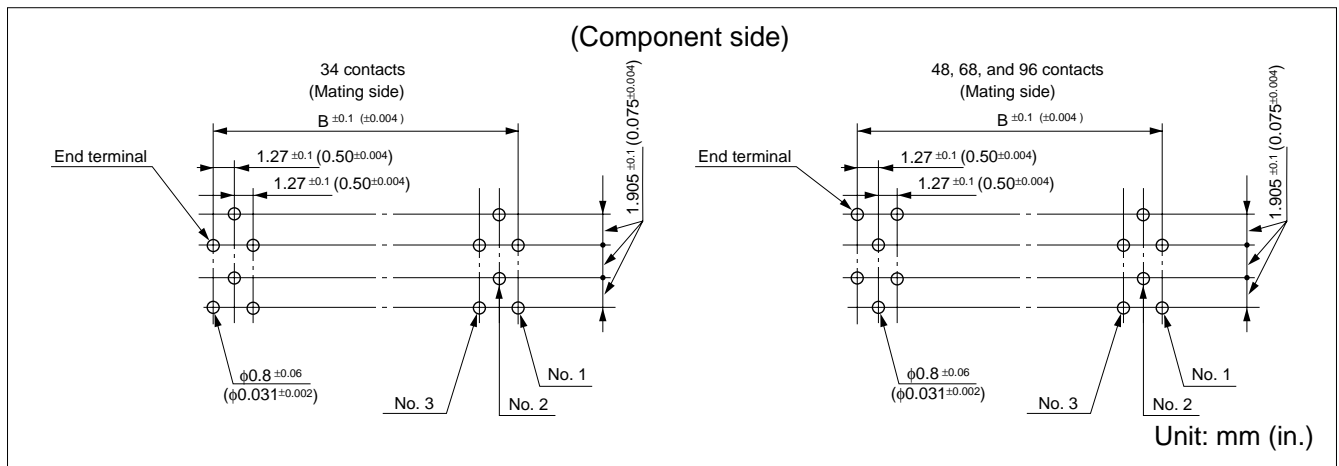
No. of Contacts	Part Number
96	FCN-234P096-G/Z

## RIGHT-ANGLE PLUG

### ■ DIMENSIONS



### ■ MOUNTING HOLE LAYOUT

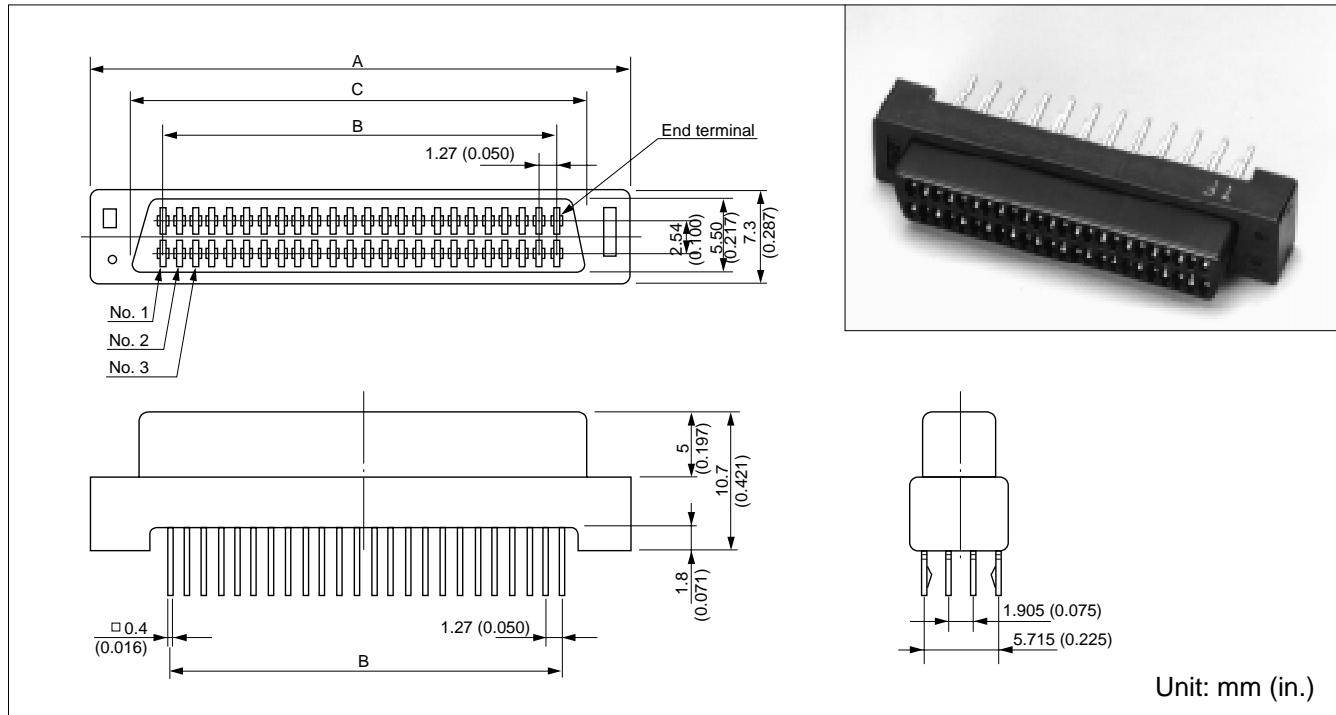


### ■ PART NUMBERS AND DIMENSIONS

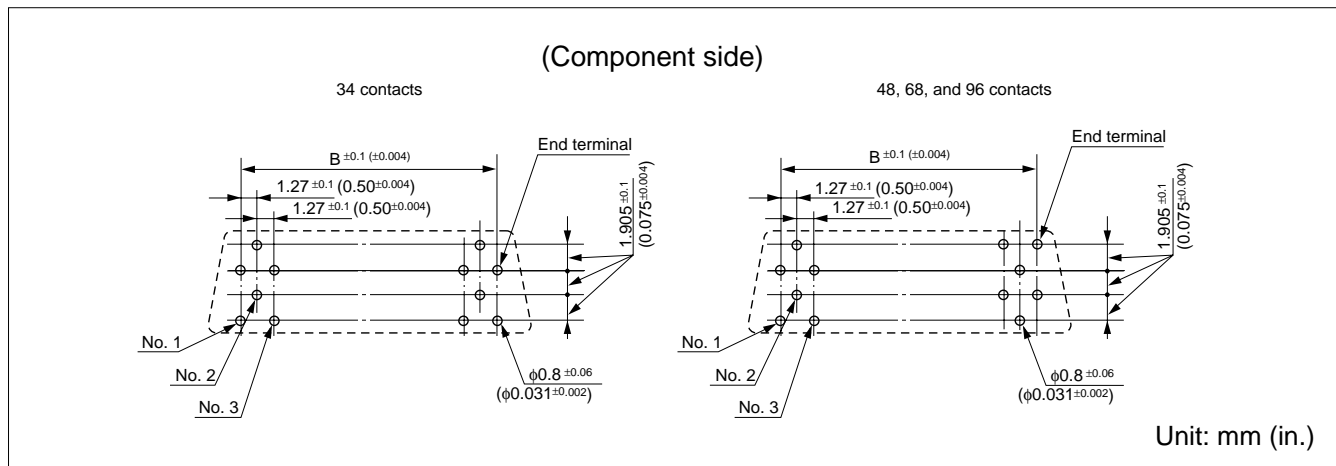
Number of contacts	Part number	Dimensions: mm (in.)		
		A	B	C
34	FCN-235P034-G/0	31.63 (1.245)	20.32 (0.800)	24.69 (0.800)
48	FCN-235P048-G/0	40.52 (1.595)	29.21 (1.150)	33.58 (1.322)
68	FCN-235P068-G/0	53.22 (2.095)	41.91 (1.650)	46.28 (1.822)
96	FCN-235P096-G/0	71.00 (2.795)	59.69 (2.350)	64.06 (2.522)

## STRAIGHT SOCKET

### ■ DIMENSIONS



### ■ MOUNTING HOLE LAYOUT



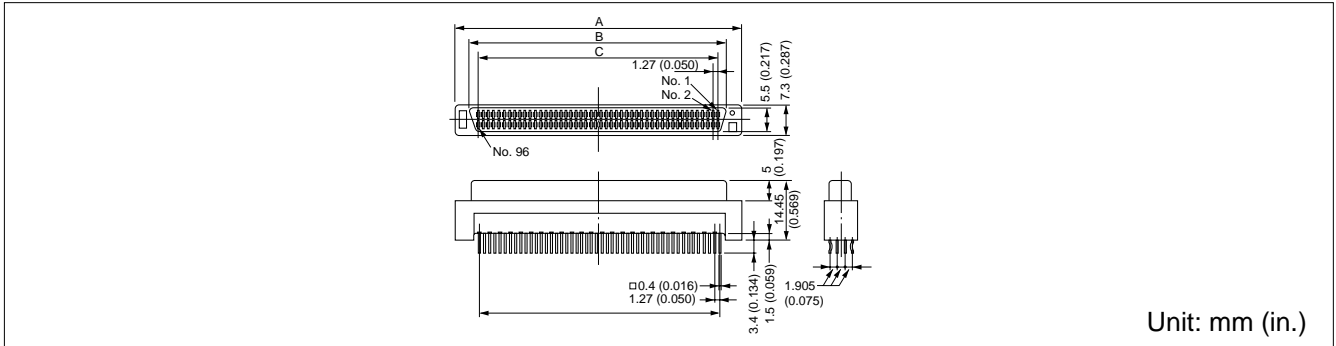
### ■ PART NUMBERS AND DIMENSIONS

Number of contacts	Part number	Dimensions: mm (in.)		
		A	B	C
34	FCN-234J034-G/0	31.63 (1.245)	20.32 (0.800)	24.69 (0.800)
48	FCN-234J048-G/0	40.52 (1.595)	29.21 (1.150)	33.38 (1.314)
68	FCN-234J068-G/0	53.22 (2.095)	41.91 (1.650)	46.08 (1.814)
96	FCN-234J096-G/0	71.00 (2.795)	59.69 (2.350)	63.86 (2.514)

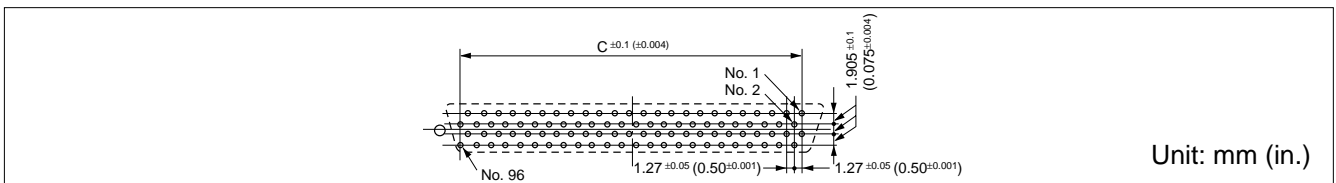


## STRAIGHT SOCKET (RAISED MOUNTING TYPE) - STACK HEIGHT 18.75mm

### ■ DIMENSIONS



### ■ MOUNTING HOLE LAYOUT

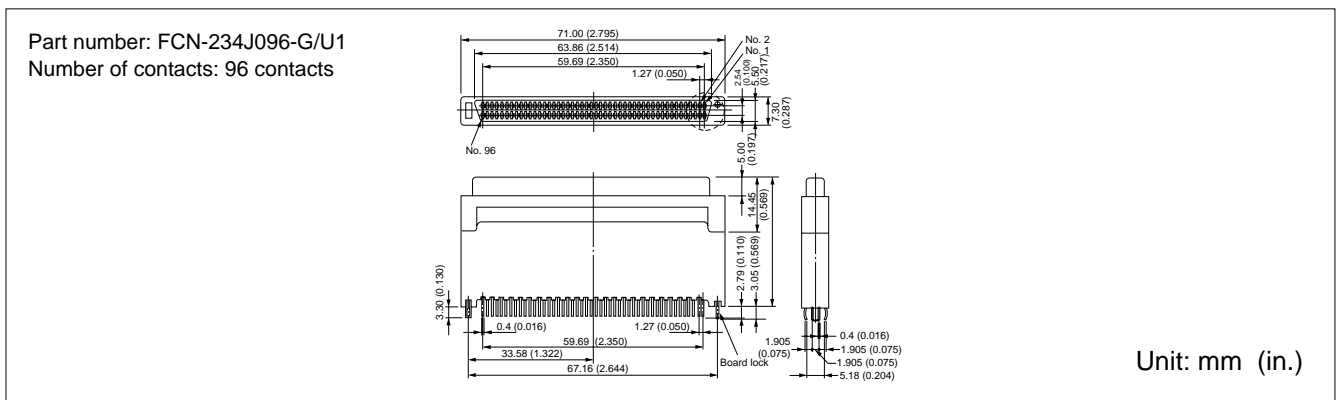


### ■ PART NUMBERS AND DIMENSIONS

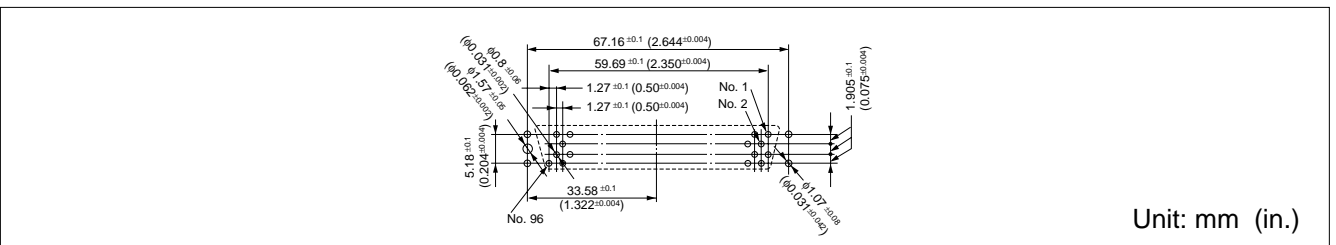
Number of contacts	Part number	Dimensions: mm (in.)		
		A	B	C
48	FCN-234J048-G/Y	40.52 (1.595)	33.38 (1.314)	29.21 (1.150)
68	FCN-234J068-G/Y	53.22 (2.095)	46.08 (1.814)	41.91 (1.650)
96	FCN-234J096-G/Y	71.00 (2.795)	63.86 (2.514)	59.69 (2.350)

## STRAIGHT SOCKET (EXTENDED HEIGHT S BUS - STACK HEIGHT 39.1mm)

### ■ DIMENSIONS

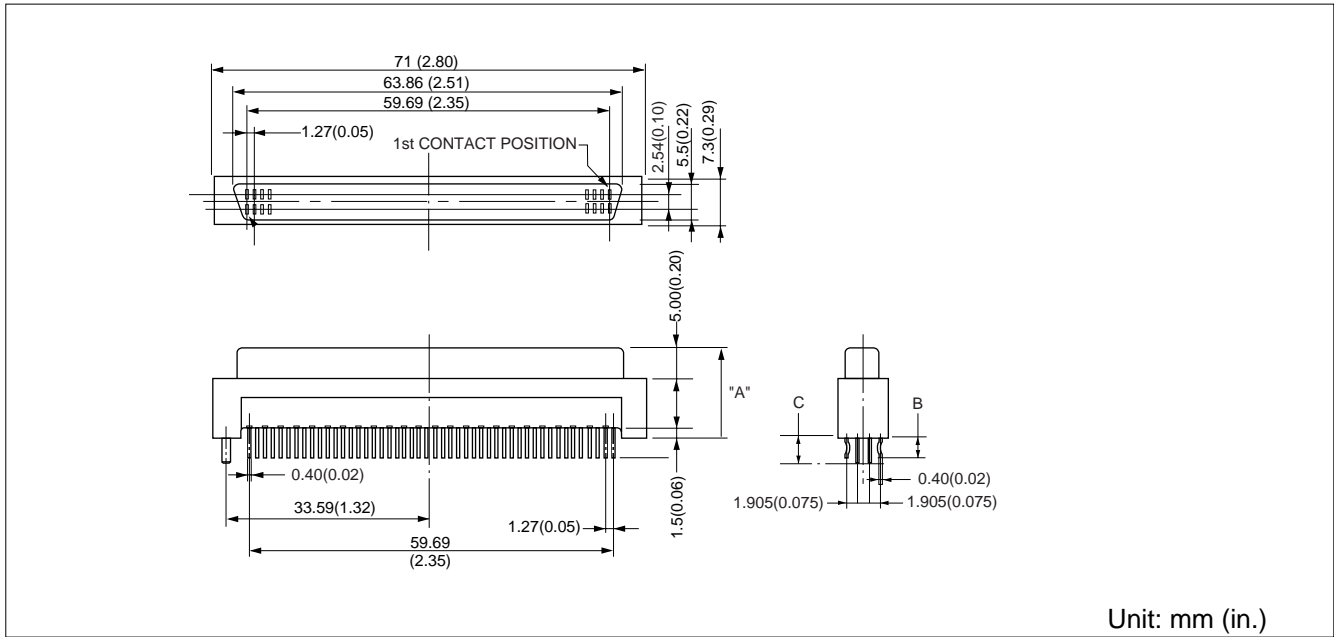


### ■ MOUNTING HOLE LAYOUT

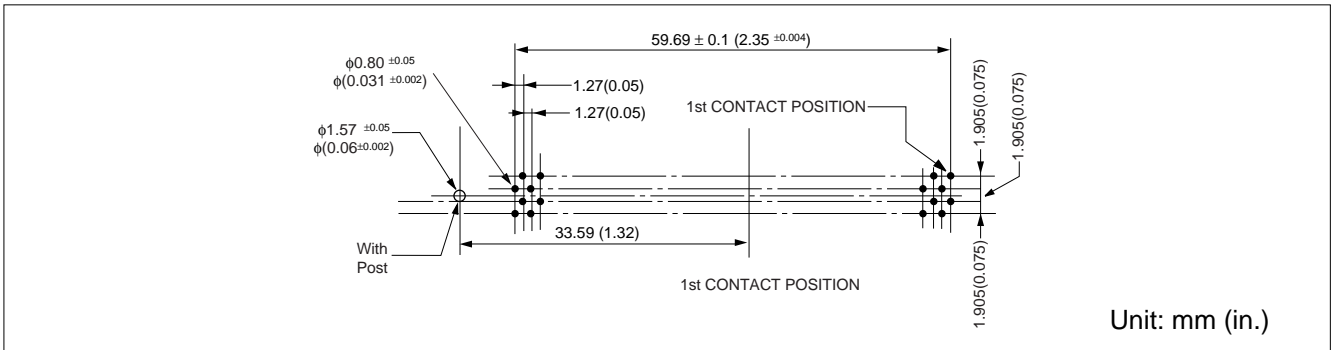


## FCN-234J096-G/\* STRAIGHT-TYPE SOCKET — S-BUS

### ■ DIMENSIONS



### ■ MOUNTING HOLE LAYOUT

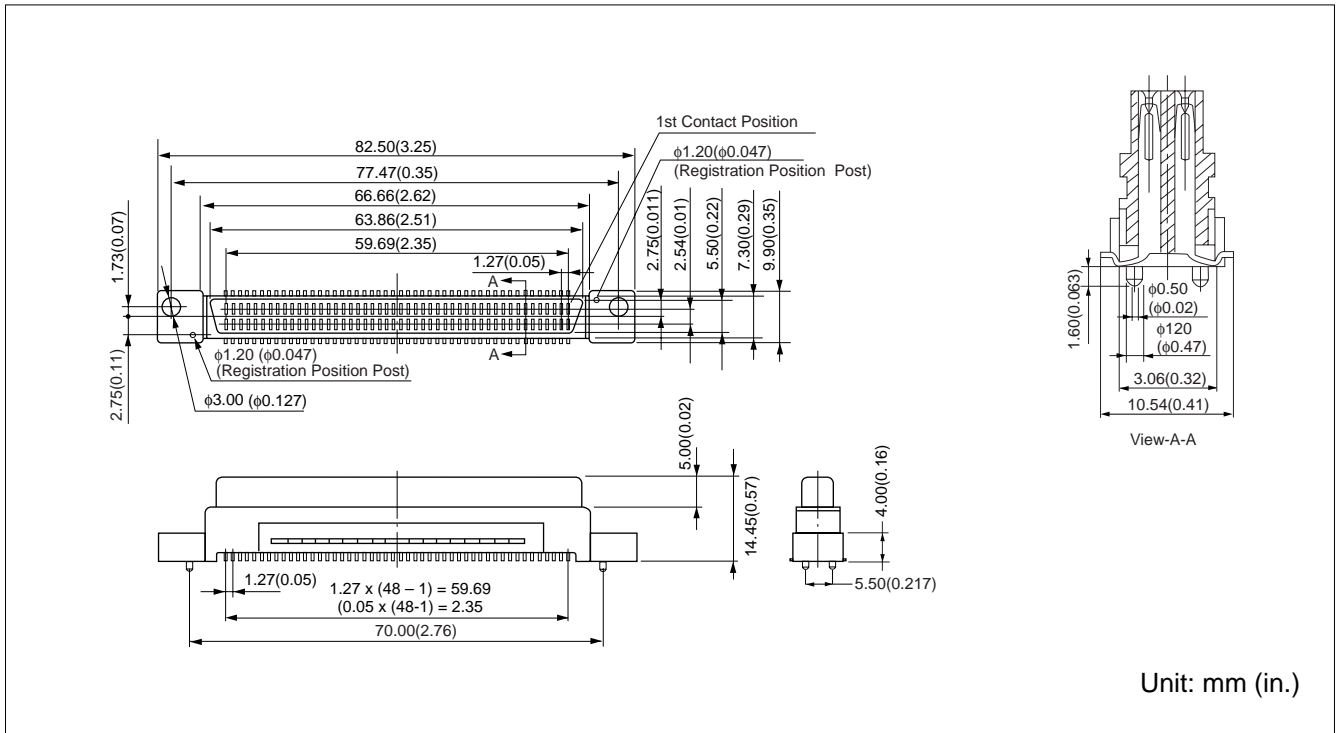


### ■ PART NUMBERS AND DIMENSIONS

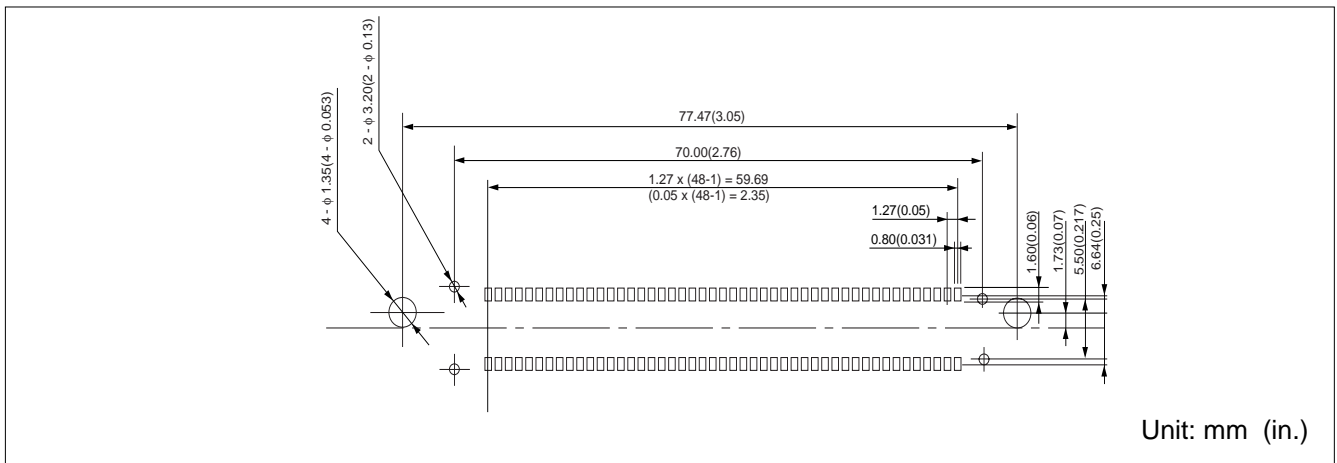
No. of Contacts	Part Number	A	B Lead Length	C Polarization Post	Description
96	FCN-234J096-G/O	10.7(0.421)	3.0(0.13)	-	Std.
96	FCN-234J096-G/S	10.7(0.421)	3.0(0.13)	4.0(0.16)	Std.
96	FCN-234J096-G/Y	14.45(0.57)	3.0(0.13)	-	S-Bus
96	FCN-234J096-G/TFA	14.45(0.57)	2.8(0.11)	3.4(0.13)	S-Bus
96	FCN-234J096-G/UA	14.45(0.57)	3.0(0.13)	3.4(0.13)	S-Bus

## FCN-234J096-G/VA SMT SOCKET

### ■ DIMENSIONS



### ■ PC BOARD PATTERN

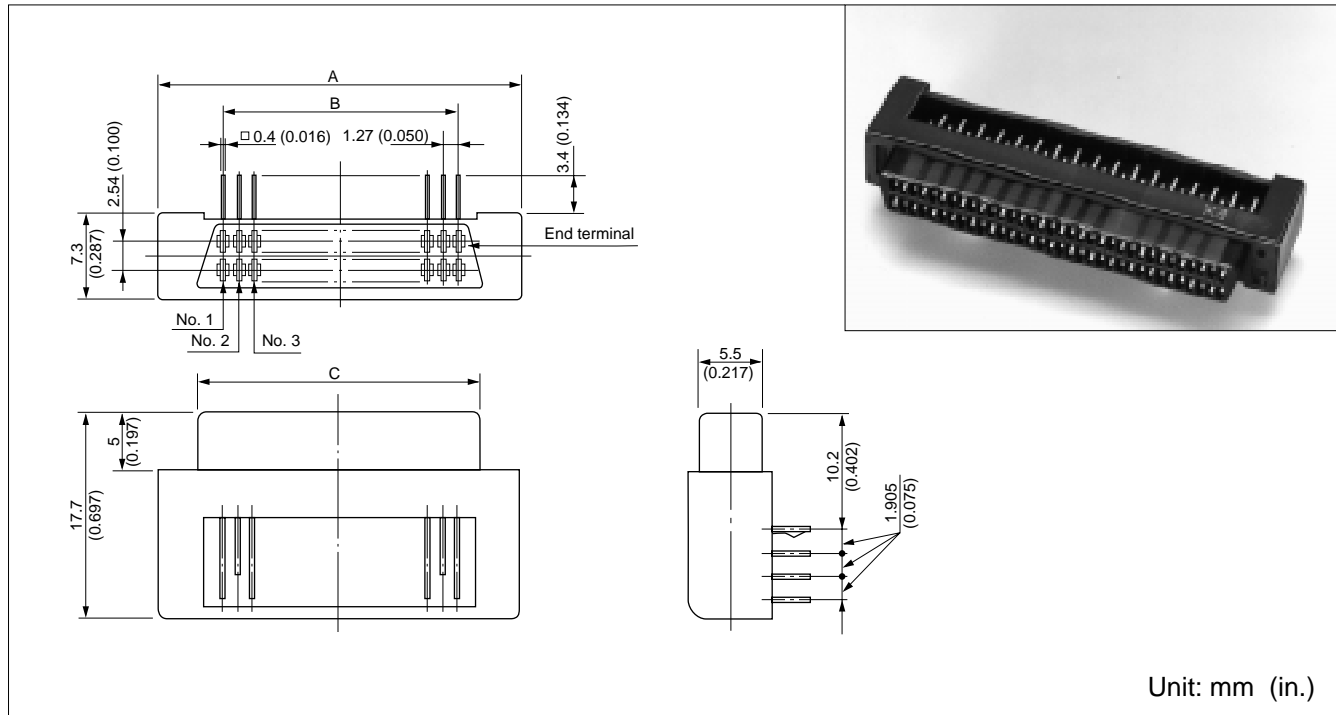


### ■ PART NUMBER

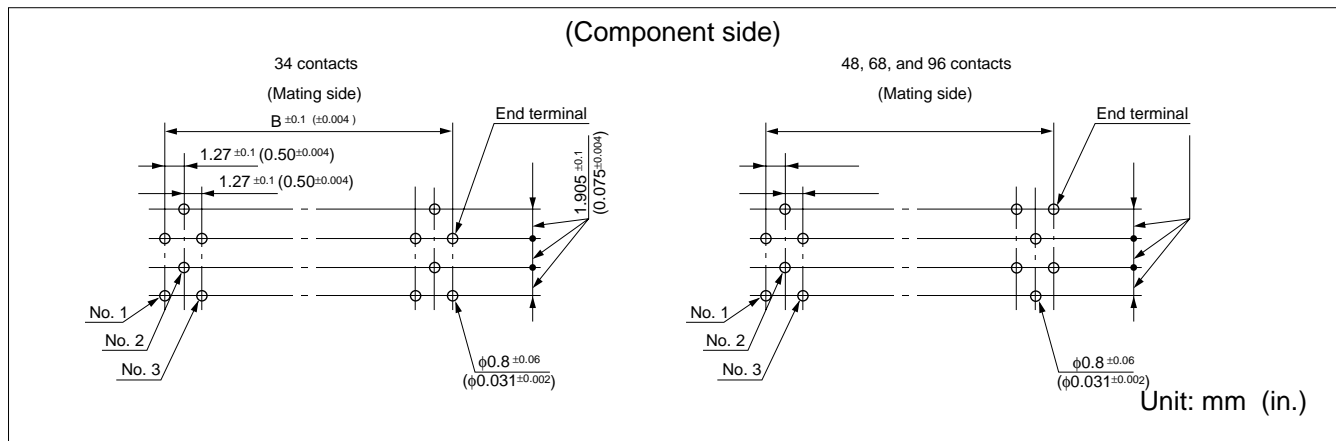
No. of Contacts	Part Number
96	FCN-234J096-G/VA

## RIGHT-ANGLE SOCKET

### ■ DIMENSIONS



### ■ MOUNTING HOLE LAYOUT



### ■ PART NUMBERS AND DIMENSIONS

Number of contacts	Part number	Dimensions: mm (in.)		
		A	B	C
34	FCN-235J034-G/0	31.63 (1.245)	20.32 (0.800)	24.69 (0.800)
48	FCN-235J048-G/0	40.52 (1.595)	29.21 (1.150)	33.38 (1.314)
68	FCN-235J068-G/0	53.22 (2.095)	41.91 (1.650)	46.08 (1.814)
96	FCN-235J096-G/0	71.00 (2.795)	59.69 (2.350)	63.86 (2.514)

FOR CABLE ASSEMBLY TOOL INFORMATION SEE PAGES 2-183 TO 2-190

## **Fujitsu Components International Headquarter Offices**

### **Japan**

Fujitsu Component Limited  
Gotanda-Chuo Building  
3-5, Higashigotanda 2-chome, Shinagawa-ku  
Tokyo 141-0022, Japan  
Tel: (81-3) 5449-7010  
Fax: (81-3) 5449-2626  
Email: [promothq@fcl.fujitsu.com](mailto:promothq@fcl.fujitsu.com)  
Web: [www.fcl.fujitsu.com](http://www.fcl.fujitsu.com)

### **North and South America**

Fujitsu Components America, Inc.  
250 E. Caribbean Drive  
Sunnyvale, CA 94089 U.S.A.  
Tel: (1-408) 745-4900  
Fax: (1-408) 745-4970  
Email: [components@us.fujitsu.com](mailto:components@us.fujitsu.com)  
Web: <http://us.fujitsu.com/components>

### **Europe**

Fujitsu Components Europe B.V.  
Diamantlaan 25  
2132 WV Hoofddorp  
Netherlands  
Tel: (31-23) 5560910  
Fax: (31-23) 5560950  
Email: [info@fceu.fujitsu.com](mailto:info@fceu.fujitsu.com)  
Web: [emea.fujitsu.com/components](http://emea.fujitsu.com/components)

### **Asia Pacific**

Fujitsu Components Asia Ltd.  
102E Pasir Panjang Road  
#01-01 Citilink Warehouse Complex  
Singapore 118529  
Tel: (65) 6375-8560  
Fax: (65) 6273-3021  
Email: [fcal@fcal.fujitsu.com](mailto:fcal@fcal.fujitsu.com)  
[www.fcal.fujitsu.com](http://www.fcal.fujitsu.com)

© 2010 Fujitsu Components America, Inc. All rights reserved. All trademarks or registered trademarks are the property of their respective owners. Fujitsu Components America, Inc. or its affiliates do not warrant that the content of the datasheet is error free. In a continuing effort to improve our products, Fujitsu Components America, Inc. or its affiliates reserve the right to change specifications/datasheets without prior notice. Rev. June 11, 2010.



Компания «ЭлектроПласт» предлагает заключение долгосрочных отношений при поставках импортных электронных компонентов на взаимовыгодных условиях!

Наши преимущества:

- Оперативные поставки широкого спектра электронных компонентов отечественного и импортного производства напрямую от производителей и с крупнейших мировых складов;
- Поставка более 17-ти миллионов наименований электронных компонентов;
- Поставка сложных, дефицитных, либо снятых с производства позиций;
- Оперативные сроки поставки под заказ (от 5 рабочих дней);
- Экспресс доставка в любую точку России;
- Техническая поддержка проекта, помощь в подборе аналогов, поставка прототипов;
- Система менеджмента качества сертифицирована по Международному стандарту ISO 9001;
- Лицензия ФСБ на осуществление работ с использованием сведений, составляющих государственную тайну;
- Поставка специализированных компонентов (Xilinx, Altera, Analog Devices, Intersil, Interpoint, Microsemi, Aeroflex, Peregrine, Syfer, Eurofarad, Texas Instrument, Miteq, Cobham, E2V, MA-COM, Hittite, Mini-Circuits, General Dynamics и др.);

Помимо этого, одним из направлений компании «ЭлектроПласт» является направление «Источники питания». Мы предлагаем Вам помощь Конструкторского отдела:

- Подбор оптимального решения, техническое обоснование при выборе компонента;
- Подбор аналогов;
- Консультации по применению компонента;
- Поставка образцов и прототипов;
- Техническая поддержка проекта;
- Защита от снятия компонента с производства.



#### Как с нами связаться

**Телефон:** 8 (812) 309 58 32 (многоканальный)

**Факс:** 8 (812) 320-02-42

**Электронная почта:** [org@eplast1.ru](mailto:org@eplast1.ru)

**Адрес:** 198099, г. Санкт-Петербург, ул. Калинина, дом 2, корпус 4, литера А.