

## GaAs PIN MMIC VOLTAGE-VARIABLE ATTENUATOR, 17 - 27 GHz

### Typical Applications

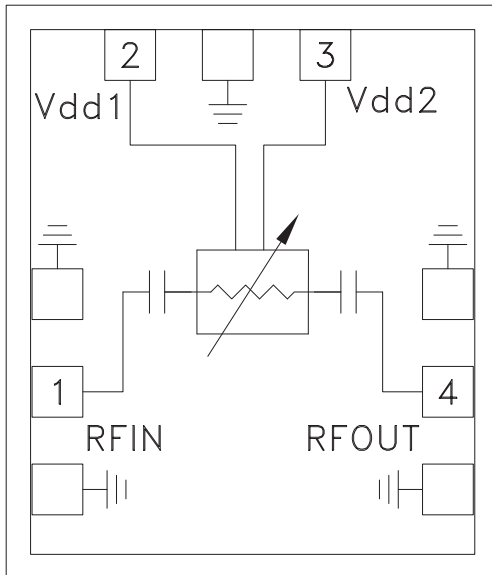
This HMC-VVD102 is ideal for:

- Point-to-Point Radios
- Point-to-Multi-Point Radios
- Military Radios, Radar & ECM
- Test Equipment & Sensors
- Space

### Features

- Low Insertion Loss: 1.5 dB
- Wide Dynamic Range: 18 dB
- High Input IP3: +17 dBm
- Analog Control Voltage: -4 to +4V
- Die Size: 1.01 x 1.175 x 0.1 mm

### Functional Diagram



### General Description

The HMC-VVD102 is a monolithic GaAs PIN diode based Voltage Variable Attenuator (VVA) which exhibits low insertion loss, high IP3 and wide dynamic range. All bond pads and the die backside are Ti/Au metallized and the PIN diode devices are fully passivated for reliable operation. This wideband MMIC VVA is compatible with conventional die attach methods, as well as thermocompression and thermosonic wirebonding, making it ideal for MCM and hybrid microcircuit applications. All data shown herein is measured with the chip in a 50 Ohm environment and contacted with RF probes

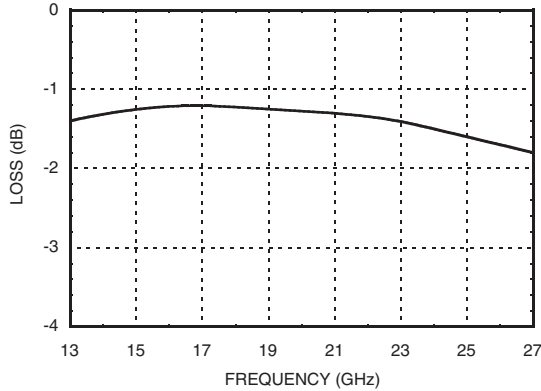
### Electrical Specifications\*, $T_A = +25\text{ }^\circ\text{C}$ , 50 Ohm System

Parameter	Min.	Typ.	Max.	Units
Frequency Range	17 - 27			GHz
Insertion Loss		1.5	2	dB
Attenuation Range		18		dB
Return Loss (Min. Attenuation)		12		dB
Return Loss (Max. Attenuation)		15		dB
Input IP3		17		dBm
IM3 @ Pin = 0 dBm / Tone	30			dBc

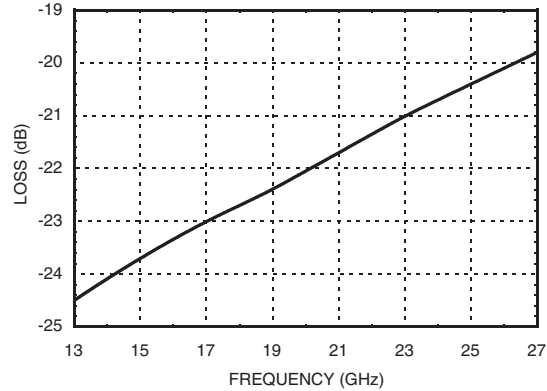
\*Unless otherwise indicated, all measurements are from probed die

**GaAs PIN MMIC VOLTAGE-VARIABLE  
ATTENUATOR, 17 - 27 GHz**

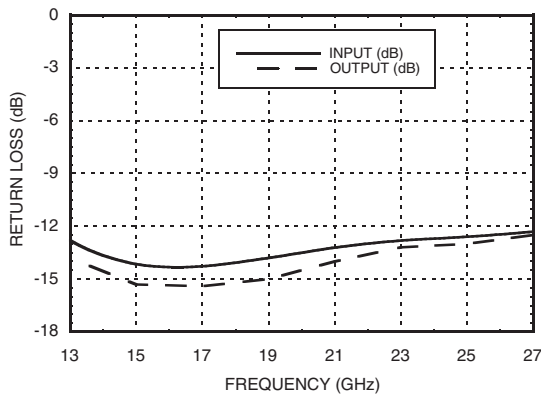
**Minimum Attenuation vs. Frequency**



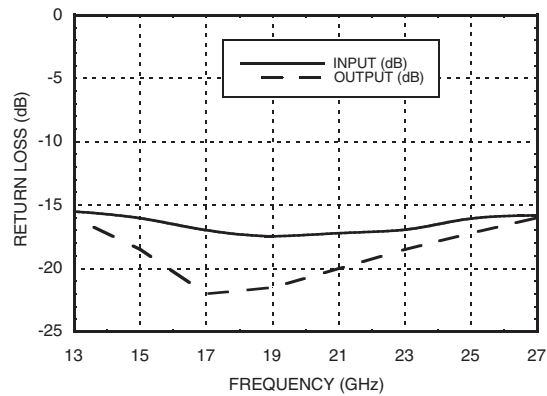
**Maximum Attenuation vs. Frequency**



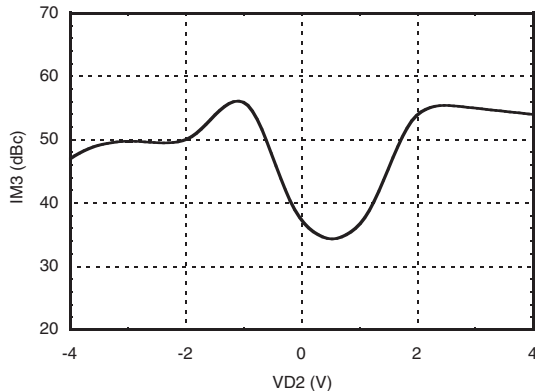
**Input & Output Return Loss vs.  
Frequency @ Minimum Attenuation**



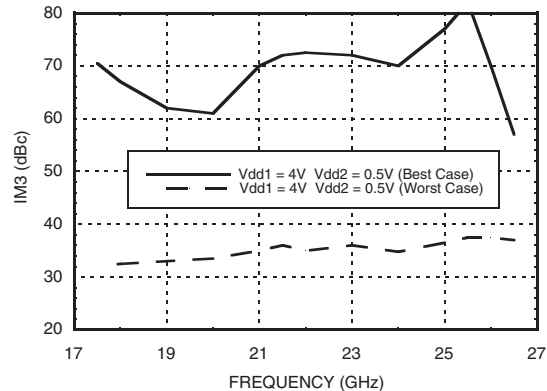
**Input & Output Return Loss vs.  
Frequency @ Maximum Attenuation**



**IM3 vs. Vdd2 (Vdd1= 4V) @ 17.5 GHz  
(0 dBm Tones)**



**IM3 vs. Frequency (0 dBm Tones)**



Note: Measured Performance Characteristics (Typical Performance at 25°C) Two-Tone measurement @ 0 dBm / tone

## GaAs PIN MMIC VOLTAGE-VARIABLE ATTENUATOR, 17 - 27 GHz

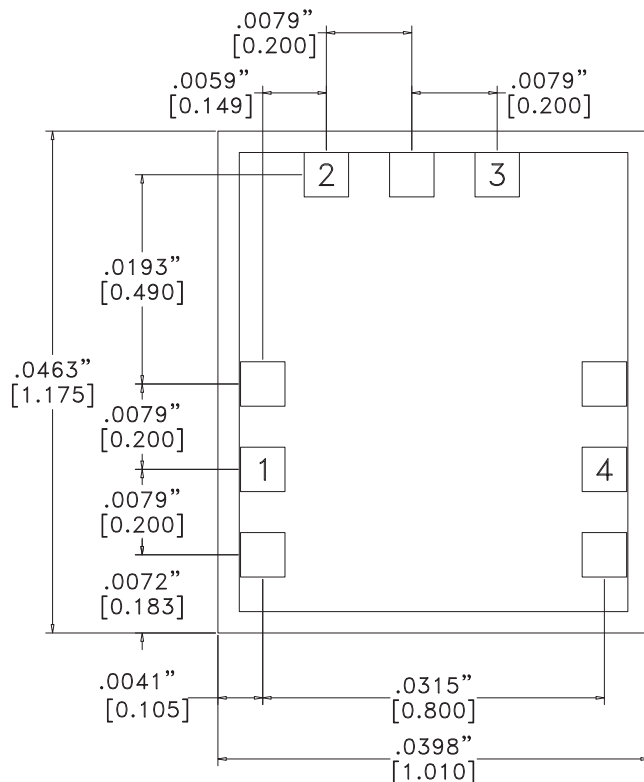
### Absolute Maximum Ratings

Control Voltage Range (Vdd)	-6 to +6 Vdc
Storage Temperature	-65 to +150 °C
Operating Temperature	-55 to +85 °C
Total Bias Current (Idd)	20 mA



ELECTROSTATIC SENSITIVE DEVICE  
OBSERVE HANDLING PRECAUTIONS

### Outline Drawing



NOTES:

1. ALL DIMENSIONS ARE IN INCHES [MM].
2. TYPICAL BOND PAD IS .004" SQUARE.
3. BACKSIDE METALLIZATION: GOLD.
4. BACKSIDE METAL IS GROUND.
5. BOND PAD METALLIZATION: GOLD.
6. CONNECTION NOT REQUIRED FOR UNLABELED BOND PADS.
7. OVERALL DIE SIZE ±.002"

### Die Packaging Information <sup>[1]</sup>

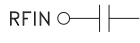
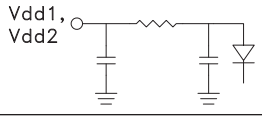
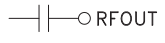

Standard	Alternate
GP-2 (Gel Pack)	[2]

[1] Refer to the "Packaging Information" section for die packaging dimensions.

[2] For alternate packaging information contact Hittite Microwave Corporation.

**GaAs PIN MMIC VOLTAGE-VARIABLE  
ATTENUATOR, 17 - 27 GHz**

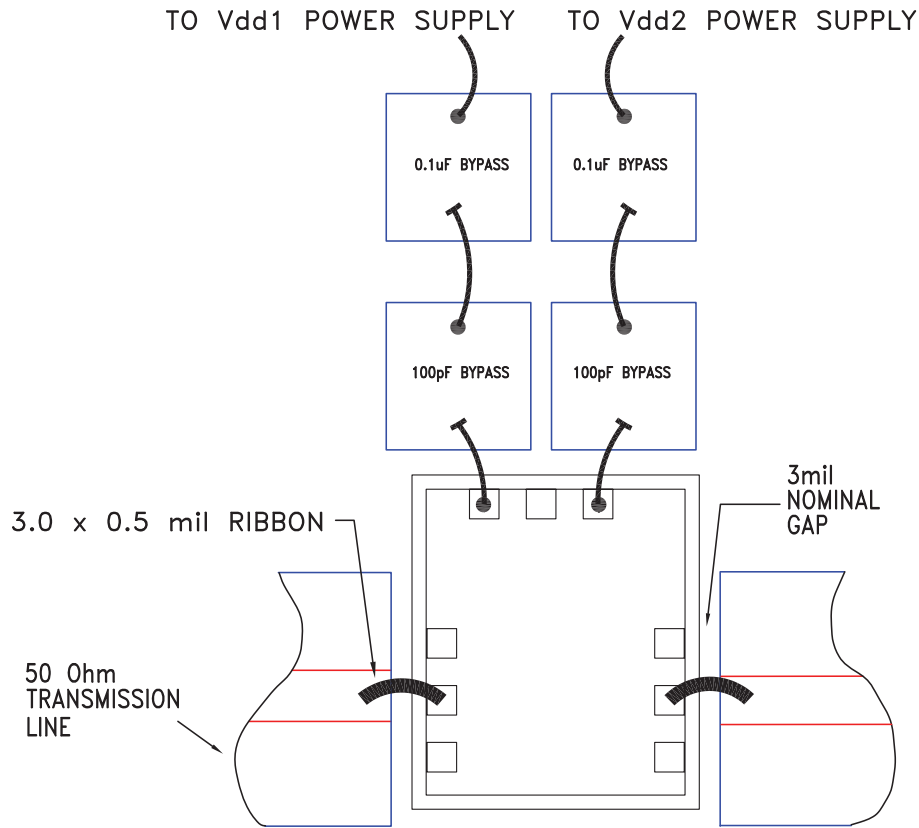
**Pad Descriptions**

Pad Number	Function	Description	Interface Schematic
1	RFIN	This pad is DC blocked and matched to 50 Ohms.	
2, 3	Vdd1, Vdd2	Control Input	
4	RFOUT	This pad is DC blocked and matched to 50 Ohms.	
Die Bottom	GND	Die bottom must be connected to RF/DC ground.	

**GaAs PIN MMIC VOLTAGE-VARIABLE  
ATTENUATOR, 17 - 27 GHz**

1

**Assembly Diagram**



Note 1: Bypass caps should be 100 pF (approximately) ceramic (single-layer) placed no farther than 30 mils from the attenuator.

Note 2: Best performance obtained from use of <10 mil (long) by 3 by 0.5mil ribbons on input and output.

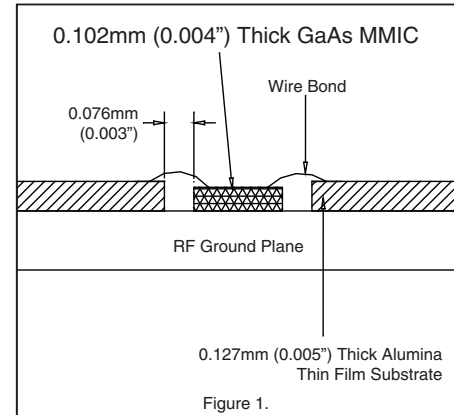
**GaAs PIN MMIC VOLTAGE-VARIABLE  
ATTENUATOR, 17 - 27 GHz**

**Mounting & Bonding Techniques for Millimeterwave GaAs MMICs**

The die should be attached directly to the ground plane eutectically or with conductive epoxy (see HMC general Handling, Mounting, Bonding Note).

50 Ohm Microstrip transmission lines on 0.127mm (5 mil) thick alumina thin film substrates are recommended for bringing RF to and from the chip (Figure 1). If 0.254mm (10 mil) thick alumina thin film substrates must be used, the die should be raised 0.150mm (6 mils) so that the surface of the die is coplanar with the surface of the substrate. One way to accomplish this is to attach the 0.102mm (4 mil) thick die to a 0.150mm (6 mil) thick molybdenum heat spreader (moly-tab) which is then attached to the ground plane (Figure 2).

Microstrip substrates should be placed as close to the die as possible in order to minimize bond wire length. Typical die-to-substrate spacing is 0.076mm to 0.152 mm (3 to 6 mils).



**Handling Precautions**

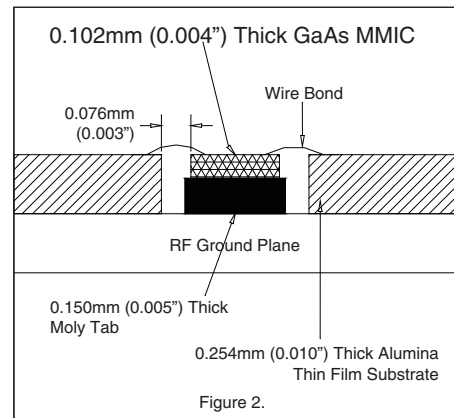
Follow these precautions to avoid permanent damage.

**Storage:** All bare die are placed in either Waffle or Gel based ESD protective containers, and then sealed in an ESD protective bag for shipment. Once the sealed ESD protective bag has been opened, all die should be stored in a dry nitrogen environment.

**Cleanliness:** Handle the chips in a clean environment. DO NOT attempt to clean the chip using liquid cleaning systems.

**Static Sensitivity:** Follow ESD precautions to protect against ESD strikes.

**Transients:** Suppress instrument and bias supply transients while bias is applied. Use shielded signal and bias cables to minimize inductive pick-up.



**General Handling:** Handle the chip along the edges with a vacuum collet or with a sharp pair of bent tweezers. The surface of the chip has fragile air bridges and should not be touched with vacuum collet, tweezers, or fingers.

**Mounting**

The chip is back-metallized and can be die mounted with AuSn eutectic preforms or with electrically conductive epoxy. The mounting surface should be clean and flat.

**Eutectic Die Attach:** A 80/20 gold tin preform is recommended with a work surface temperature of 255 °C and a tool temperature of 265 °C. When hot 90/10 nitrogen/hydrogen gas is applied, tool tip temperature should be 290 °C. DO NOT expose the chip to a temperature greater than 320 °C for more than 20 seconds. No more than 3 seconds of scrubbing should be required for attachment.

**Epoxy Die Attach:** Apply a minimum amount of epoxy to the mounting surface so that a thin epoxy fillet is observed around the perimeter of the chip once it is placed into position. Cure epoxy per the manufacturer's schedule.

**Wire Bonding**

RF bonds made with 0.003" x 0.0005" ribbon are recommended. These bonds should be thermosonically bonded with a force of 40-60 grams. DC bonds of 0.001" (0.025 mm) diameter, thermosonically bonded, are recommended. Ball bonds should be made with a force of 40-50 grams and wedge bonds at 18-22 grams. All bonds should be made with a nominal stage temperature of 150 °C. A minimum amount of ultrasonic energy should be applied to achieve reliable bonds. All bonds should be as short as possible, less than 12 mils (0.31 mm).



Компания «ЭлектроПласт» предлагает заключение долгосрочных отношений при поставках импортных электронных компонентов на взаимовыгодных условиях!

Наши преимущества:

- Оперативные поставки широкого спектра электронных компонентов отечественного и импортного производства напрямую от производителей и с крупнейших мировых складов;
- Поставка более 17-ти миллионов наименований электронных компонентов;
- Поставка сложных, дефицитных, либо снятых с производства позиций;
- Оперативные сроки поставки под заказ (от 5 рабочих дней);
- Экспресс доставка в любую точку России;
- Техническая поддержка проекта, помощь в подборе аналогов, поставка прототипов;
- Система менеджмента качества сертифицирована по Международному стандарту ISO 9001;
- Лицензия ФСБ на осуществление работ с использованием сведений, составляющих государственную тайну;
- Поставка специализированных компонентов (Xilinx, Altera, Analog Devices, Intersil, Interpoint, Microsemi, Aeroflex, Peregrine, Syfer, Eurofarad, Texas Instrument, Miteq, Cobham, E2V, MA-COM, Hittite, Mini-Circuits, General Dynamics и др.);

Помимо этого, одним из направлений компании «ЭлектроПласт» является направление «Источники питания». Мы предлагаем Вам помощь Конструкторского отдела:

- Подбор оптимального решения, техническое обоснование при выборе компонента;
- Подбор аналогов;
- Консультации по применению компонента;
- Поставка образцов и прототипов;
- Техническая поддержка проекта;
- Защита от снятия компонента с производства.



#### Как с нами связаться

**Телефон:** 8 (812) 309 58 32 (многоканальный)

**Факс:** 8 (812) 320-02-42

**Электронная почта:** [org@eplast1.ru](mailto:org@eplast1.ru)

**Адрес:** 198099, г. Санкт-Петербург, ул. Калинина, дом 2, корпус 4, литера А.