



### SOT-23



#### Pin Definition:

1. Reference
2. Cathode
3. Anode

### TO-92



#### Pin Definition:

1. Reference
2. Anode
3. Cathode

## General Description

TS432 series is a three-terminal adjustable shunt regulator with specified thermal stability. The output voltage may be set to any value between  $V_{REF}$  (approximately 1.24V) and 18V with two external resistors. TS432 series has a typical output impedance of  $0.05\Omega$ . Active output circuitry provides a very sharp turn-on characteristic, making TS432 series excellent replacement for zener diode in many applications.

## Features

- Precision Reference Voltage  
TS432A –  $1.24V \pm 1\%$   
TS432B –  $1.24V \pm 0.5\%$
- Minimum Cathode Current for Regulation:  $20\mu A$ (typ.)
- Equivalent Full Range Temp. Coefficient:  $50ppm/^\circ C$
- Programmable Output Voltage up to 18V
- Fast Turn-On Response
- Sink Current Capability of  $80\mu A$  to  $100mA$
- Low Dynamic Output Impedance:  $0.05\Omega$
- Low Output Noise
- Halogen Free Available

## Applications

- Voltage Monitor
- Delay Timer
- Constant –Current Source/Sink
- High-Current Shunt Regulator
- Crow Bar
- Over-Voltage / Under-Voltage Protection

## Ordering Information

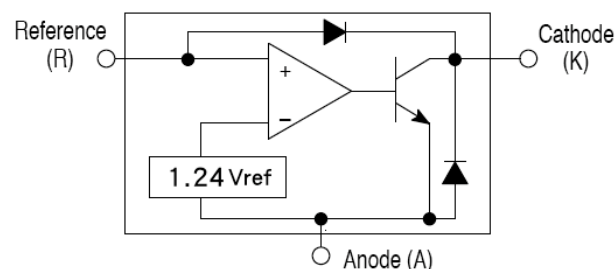
Part No.	Package	Packing
TS432xCX RFG	SOT-23	3,000pcs / 7" Reel
TS432xCT B0G	TO-92	1,000pcs / Bulk
TS432xCT A3G	TO-92	2,000pcs / Ammo

Note: Where **x** denotes voltage tolerance

**A:**  $\pm 1\%$ , **B:**  $\pm 0.5\%$

**"G"** denotes for Halogen free products

## Block Diagram



## Absolute Maximum Ratings ( $T_A=25^\circ C$ unless otherwise noted)

Parameter	Symbol	Limit	Unit
Cathode Voltage (Note 1)	$V_{KA}$	18	V
Continuous Cathode Current Range	$I_K$	100	mA
Reference Input Current Range	$I_{REF}$	3	mA
Power Dissipation	$P_D$	0.35	W
Junction Temperature	$T_J$	+150	$^\circ C$
Operation Temperature Range	$T_{OPER}$	0 ~ +70	$^\circ C$
Storage Temperature Range	$T_{STG}$	-65 ~ +150	$^\circ C$

Note 1: Voltage values are with respect to the anode terminal unless otherwise noted.

### Recommended Operating Condition

Parameter	Symbol	Limit	Unit
Cathode Voltage <sup>(Note 1)</sup>	$V_{KA}$	16	V
Continuous Cathode Current Range	$I_K$	100	mA

### Electrical Characteristics ( $T_A=25^\circ\text{C}$ unless otherwise noted)

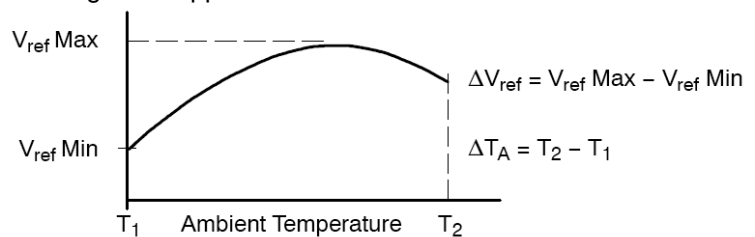
Parameter	Symbol	Test Conditions	Min	Typ	Max	Unit
Reference voltage	$V_{REF}$	$V_{KA}=V_{REF}, I_K=10\text{mA}$ (Figure 1)	1.227	1.240	1.252	V
			1.233		1.246	
Deviation of reference input voltage	$\Delta V_{REF}$	$V_{KA}=V_{REF}, I_K=10\text{mA}$ $T_A=$ full range (Figure 1)	--	10	25	mV
Ratio of change in Vref to change in cathode Voltage	$\Delta V_{REF}/\Delta V_{KA}$	$I_{KA}=10\text{mA}, V_{KA}=16\text{V to } V_{REF}$ (Figure 2)	--	-1.0	-2.7	mV/V
Reference Input current	$I_{REF}$	$R1=10\text{K}\Omega, R2=\infty, I_{KA}=10\text{mA}$ $T_A=$ full range (Figure 2)	--	0.25	0.5	$\mu\text{A}$
Deviation of reference input current, over temp.	$\Delta I_{REF}$	$R1=10\text{K}\Omega, R2=\infty, I_{KA}=10\text{mA}$ $T_A=$ full range (Figure 2)	--	0.04	0.8	$\mu\text{A}$
Off-state Cathode Current	$I_{KA}(\text{off})$	$V_{REF}=0\text{V}$ (Figure 3), $V_{KA}=16\text{V}$	--	0.125	0.5	$\mu\text{A}$
Dynamic Output Impedance	$ Z_{KA} $	$f<1\text{KHZ}, V_{KA}=V_{REF}$ $I_{KA}=1\text{mA to } 100\text{mA}$ (Figure 1)	--	0.2	0.4	$\Omega$
Minimum Operating Cathode Current	$I_{KA(\text{MIN})}$	$V_{KA}=V_{REF}$ (Figure 1)	--	20	80	$\mu\text{A}$

\* The deviation parameters  $\Delta V_{REF}$  and  $\Delta I_{REF}$  are defined as difference between the maximum value and minimum value

Obtained over the full operating ambient temperature range that applied.

\* The average temperature coefficient of the reference input voltage,  $\alpha V_{REF}$  is defined as:

$$\alpha V_{ref} \left( \frac{\text{ppm}}{^\circ\text{C}} \right) = \frac{\left( \frac{\Delta V_{ref}}{V_{ref}} \right) \times 10^6}{\Delta T_A} \quad \left( T_A = 25^\circ\text{C} \right)$$



Where:  $T_2-T_1$  = full temperature change.

$\alpha V_{REF}$  can be positive or negative depending on whether  $V_{REF}$  Min. or  $V_{REF}$  Max occurs at the lower ambient temperature. Example:  $\Delta V_{REF}=7.2\text{mV}$  and the slope is positive,  $V_{REF}=1.241\text{V}$  at  $25^\circ\text{C}$ ,  $\Delta T=125^\circ\text{C}$

$$\alpha V_{ref} \left( \frac{\text{ppm}}{^\circ\text{C}} \right) = \frac{0.0072 \times 10^6}{1.241} = 46 \text{ ppm}/^\circ\text{C}$$

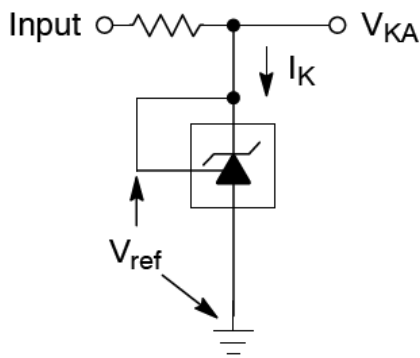
\* The dynamic impedance  $Z_{KA}$  is defined as:

$$|Z_{KA}| = \frac{\Delta V_{KA}}{\Delta I_K}$$

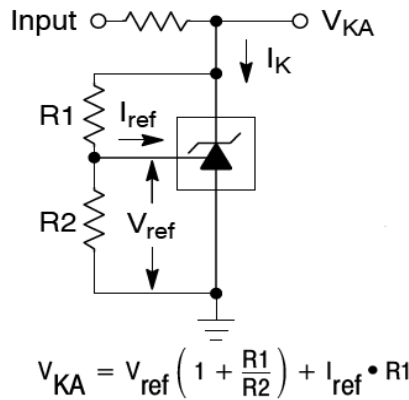
\* When the device operating with two external resistors,  $R1$  and  $R2$ , (refer to Figure 2) the total dynamic impedance of the circuit is given by:

$$|Z_{KA}'| = |Z_{KA}| \times \left( 1 + \frac{R1}{R2} \right)$$

### Test Circuits

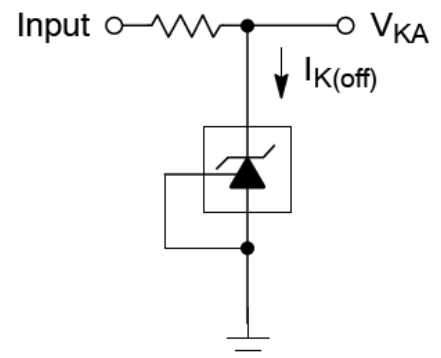


**Figure 1:  $V_{KA} = V_{REF}$**



$$V_{KA} = V_{ref} \left( 1 + \frac{R1}{R2} \right) + I_{ref} \cdot R1$$

**Figure 2:  $V_{KA} > V_{REF}$**



**Figure 3: Off-State Current**

### Additional Information – Stability

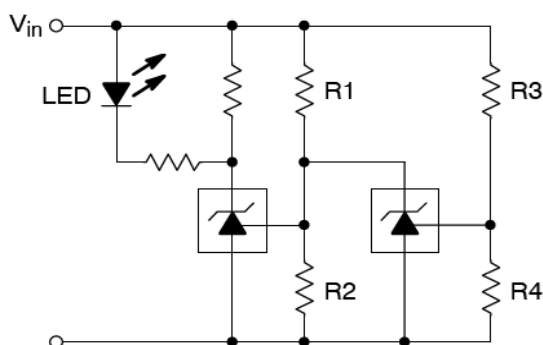
When TS432 series is used as a shunt regulator, there are two options for selection of  $C_L$ , are recommended for optional stability:

- A) No load capacitance across the device, decouple at the load.
- B) Large capacitance across the device, optional decoupling at the load.

The reason for this is that TS432 series exhibits instability with capacitances in the range of 10nF to 1 $\mu$ F (approx.) at light cathode current up to 3mA(typ). The device is less stable the lower the cathode voltage has been set for. Therefore while the device will be perfectly stable operating at a cathode current of 10mA (approx.) with a 0.1 $\mu$ F capacitor across it, it will oscillate transiently during start up as the cathode current passes through the instability region. Select a very low capacitance, or alternatively a high capacitance (10 $\mu$ F) will avoid this issue altogether. Since the user will probably wish to have local decoupling at the load anyway, the most cost effective method is to use no capacitance at all directly across the device. PCB trace/via resistance and inductance prevent the local load decoupling from causing the oscillation during the transient start up phase.

Note: if the TS432 series is located right at the load, so the load decoupling capacitor is directly across it, then this capacitor will have to be  $\leq 1$ nF or  $\geq 10$  $\mu$ F.

### Applications Examples

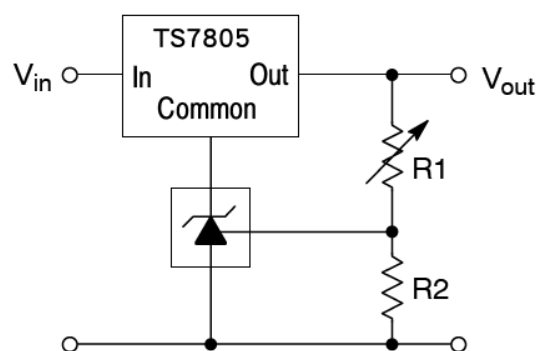


L.E.D. indicator is 'ON' when  $V_{in}$  is between the upper and lower limits,

$$\text{Lower limit} = \left( 1 + \frac{R1}{R2} \right) V_{ref}$$

$$\text{Upper limit} = \left( 1 + \frac{R3}{R4} \right) V_{ref}$$

**Figure 4: Voltage Monitor**

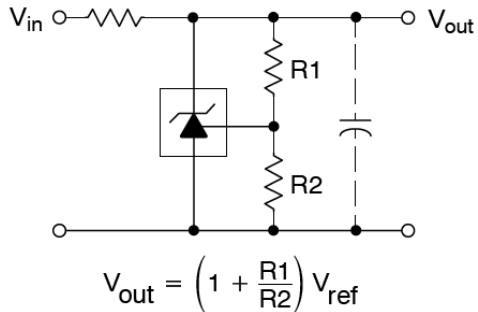


$$V_{out} = \left( 1 + \frac{R1}{R2} \right) V_{ref}$$

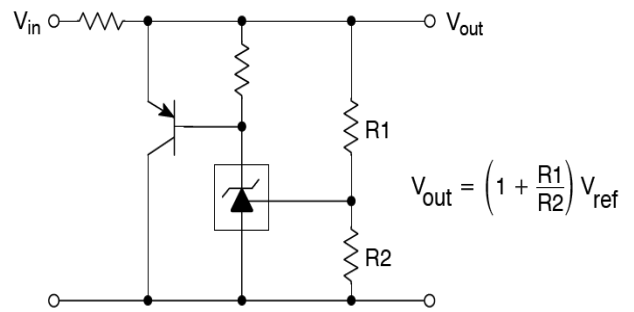
$$V_{out(min)} = V_{ref} + 5.0 V$$

**Figure 5: Output Control for Three Terminal Fixed Regulator**

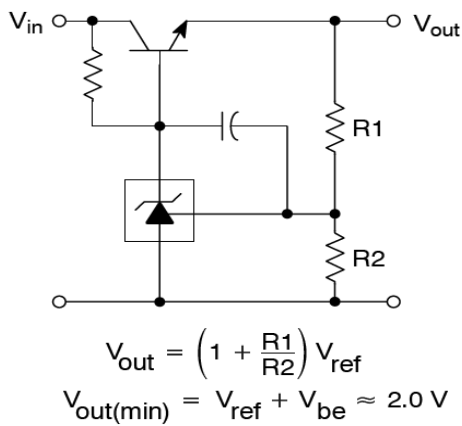
### Applications Examples (Continue)



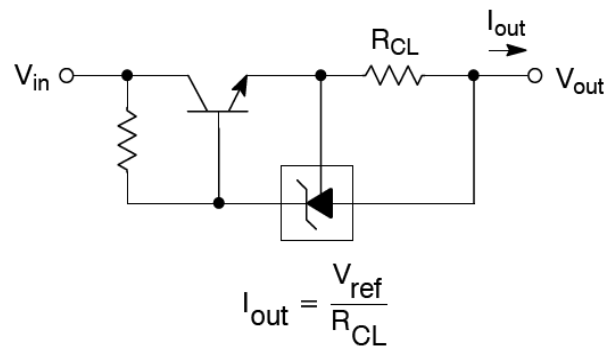
**Figure 6: Shunt Regulator**



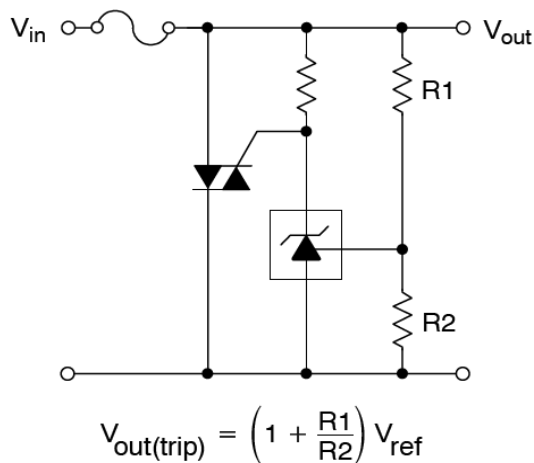
**Figure 7: High Current Shunt Regulator**



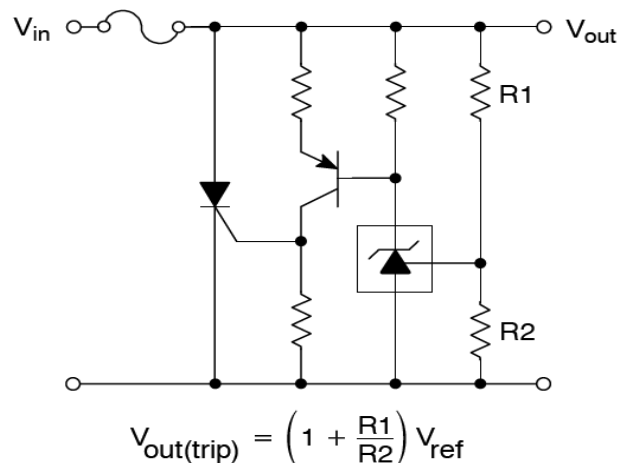
**Figure 8: Series Pass Regulator**



**Figure 9: Constant Current Source**

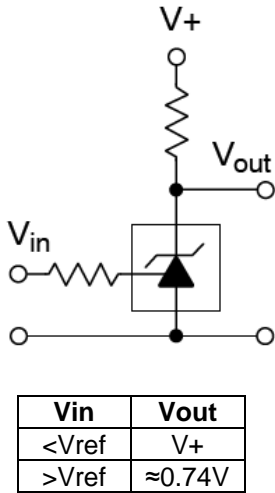


**Figure 10: TRIAC Crowbar**

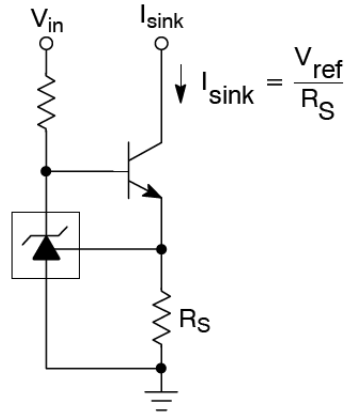


**Figure 11: SCR Crowbar**

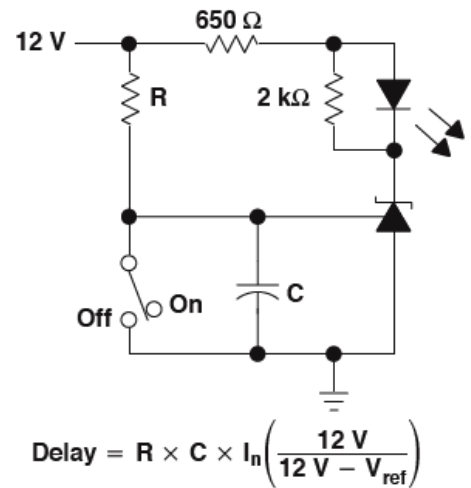
### Applications Examples (Continue)



**Figure 12: Single-Supply Comparator with Temperature-Compensated Threshold**

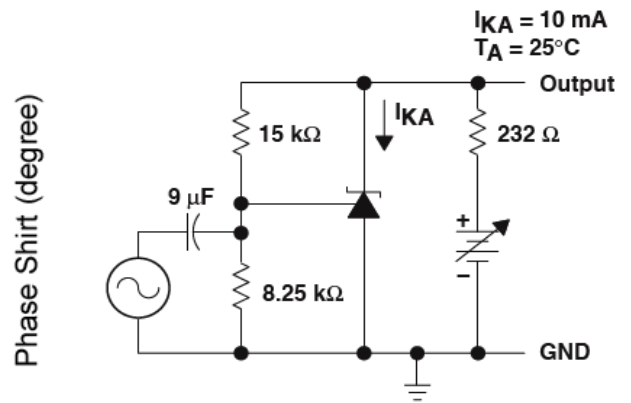
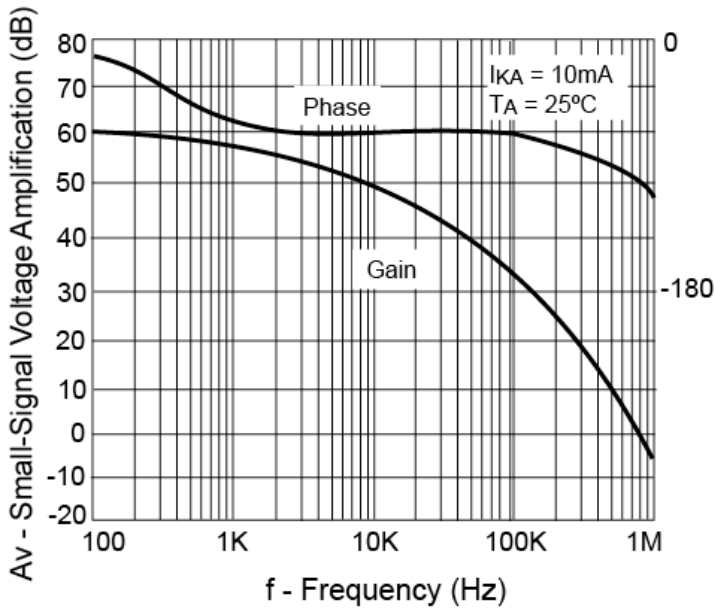


**Figure 13: Constant Current Sink**



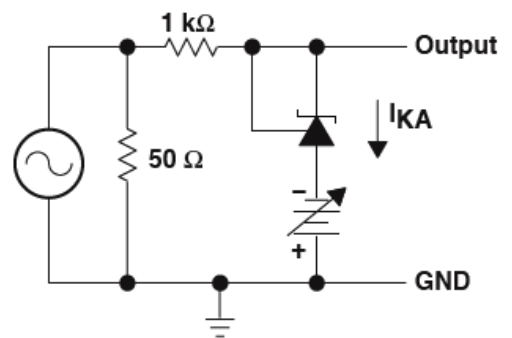
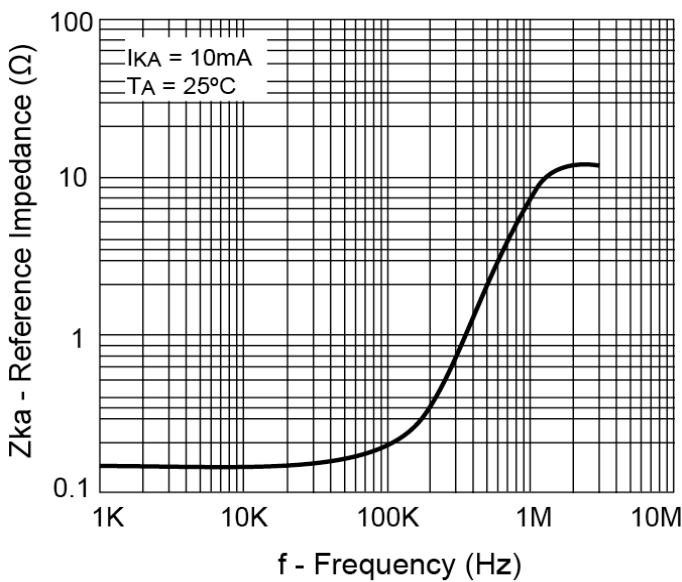
**Figure 14: Delay Timer**

### Typical Performance Characteristics



Test Circuit for Voltage Amplification

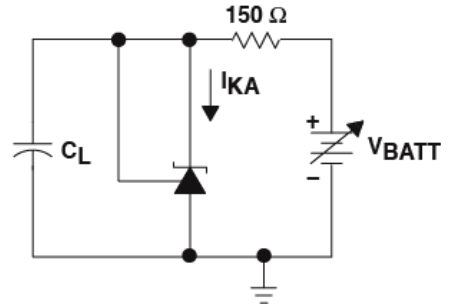
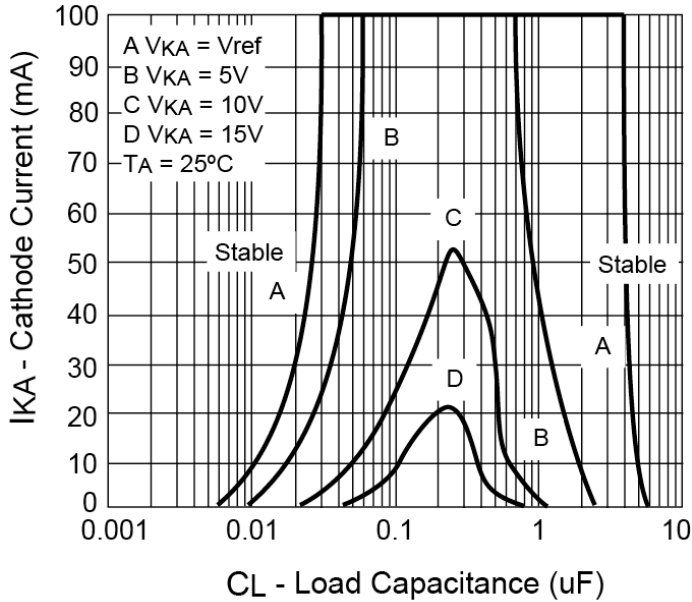
Figure 15: Small-Signal Voltage Gain and Phase Shift vs. Frequency



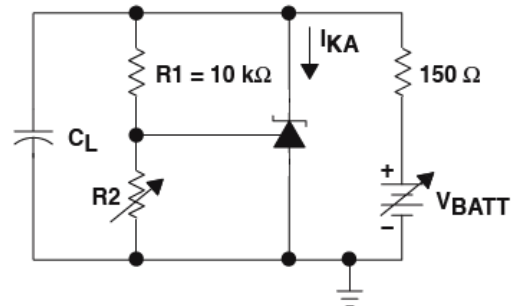
Test Circuit for Reference Impedance

Figure 16: Reference Impedance vs. Frequency

### Typical Performance Characteristics



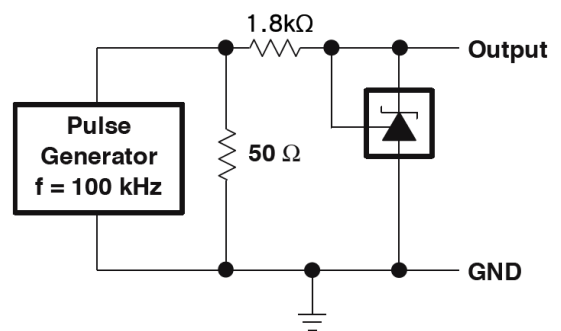
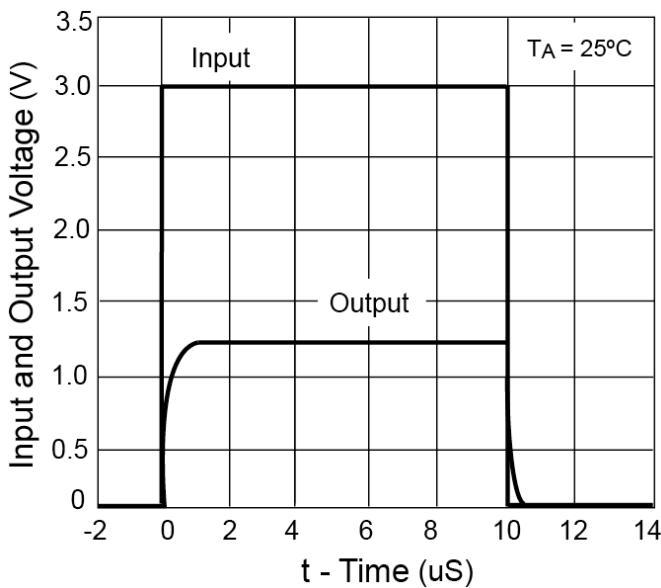
Test Circuit for Curve A



Test Circuit for Curve B, C and D

The areas under the curves represent conditions that may cause the device to oscillate. For curves B, C, and D,  $R_2$  and  $V_+$  were adjusted to establish the initial  $V_{KA}$  and  $I_{KA}$  conditions with  $C_L=0$ .  $V_{BATT}$  and  $C_L$  then were adjusted to determine the ranges of stability.

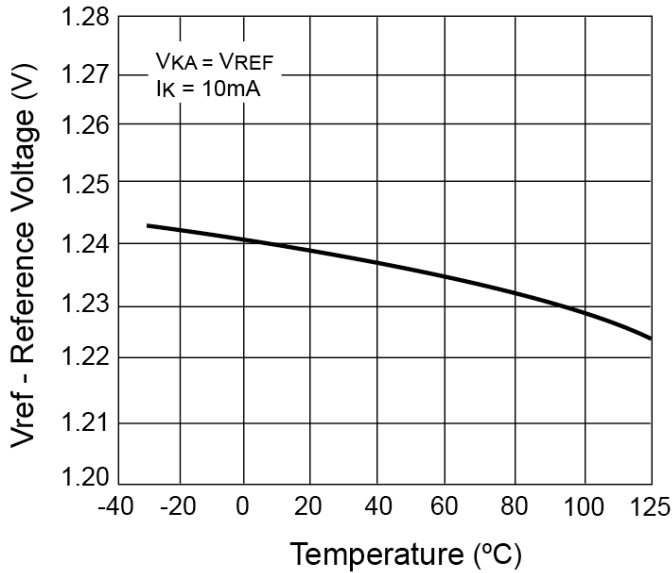
Figure 17: Stability Boundary Condition



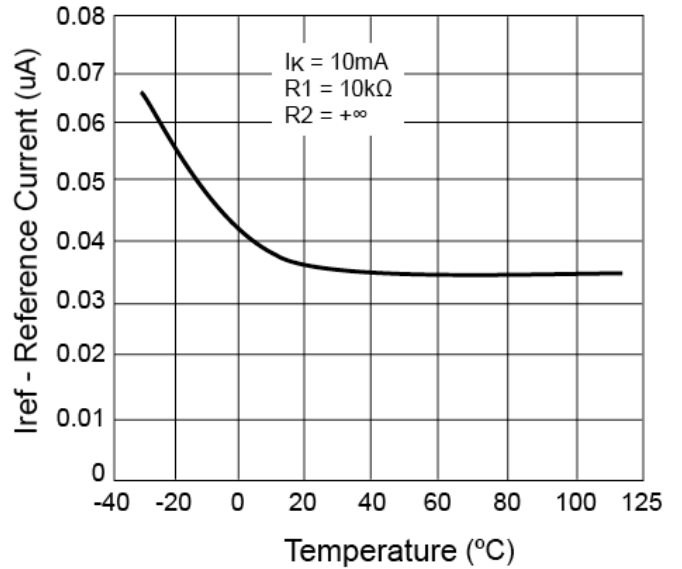
Test Circuit for Pulse Response,  $I_k=1mA$

Figure 18: Pulse Response

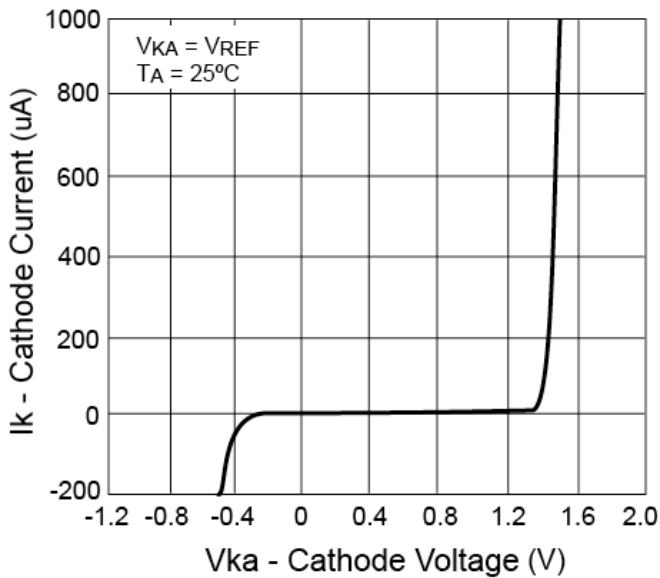
### Electrical Characteristics



**Figure 19: Reference Voltage vs. Temperature**



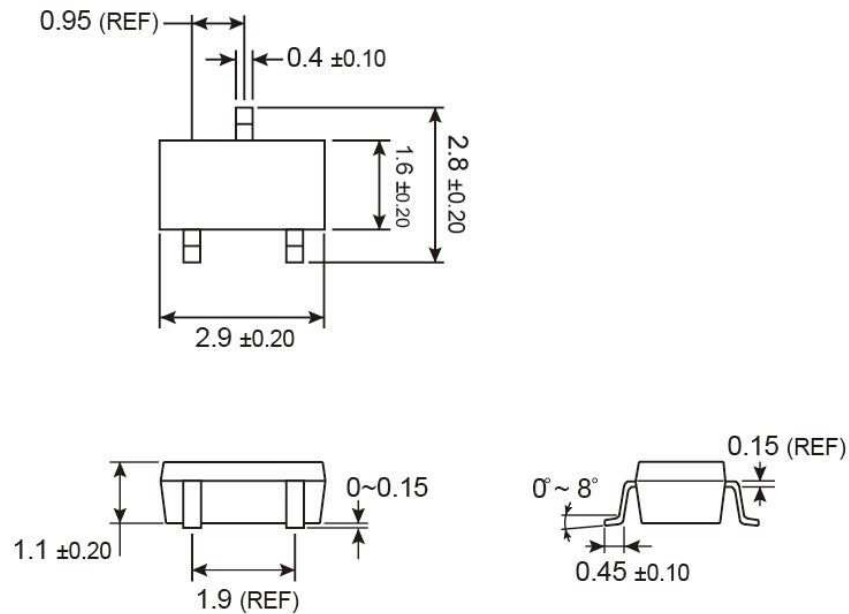
**Figure 20: Reference Current vs. Temperature**



**Figure 21: Cathode Current vs. Cathode Voltage**

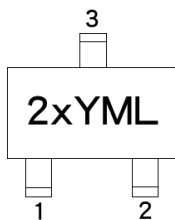


**SOT-23 Mechanical Drawing**



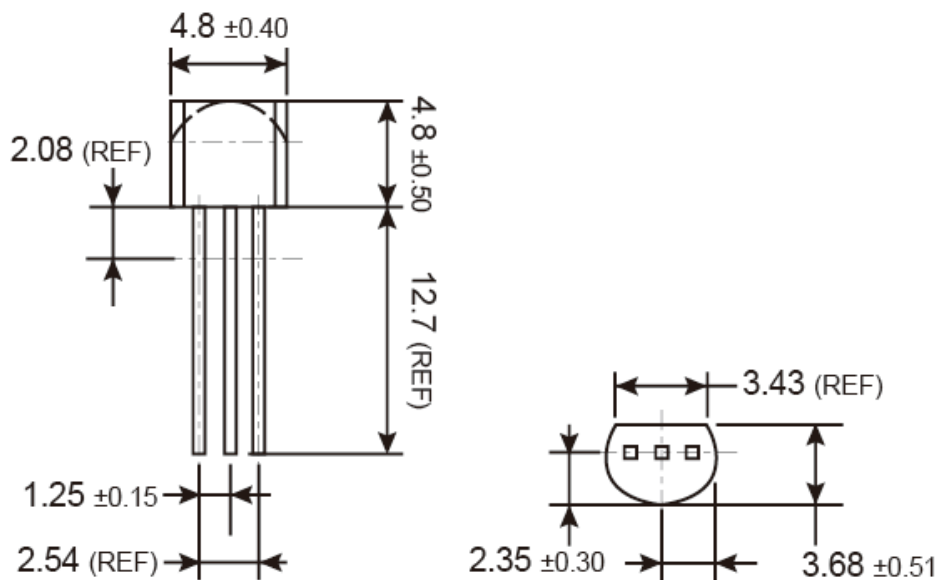
Unit: Millimeters

**Marking Diagram**



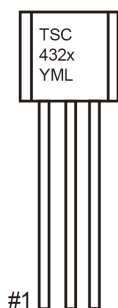
- 2** = Device Code
- X** = Tolerance Code  
(**A** =  $\pm 1\%$ , **B** =  $\pm 0.5\%$ )
- Y** = Year Code
- M** = Month Code for Halogen Free Product
  - O** =Jan    **P** =Feb    **Q** =Mar    **R** =Apr
  - S** =May    **T** =Jun    **U** =Jul    **V** =Aug
  - W** =Sep    **X** =Oct    **Y** =Nov    **Z** =Dec
- L** = Lot Code

**TO-92 Mechanical Drawing**



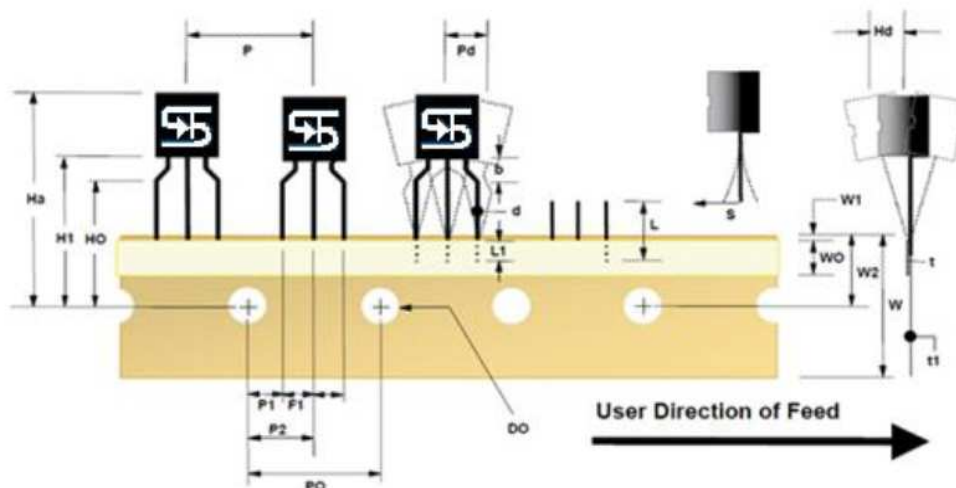
Unit: Millimeters

**Marking Diagram**



- X** = Tolerance Code  
(**A** =  $\pm 1\%$ , **B** =  $\pm 0.5\%$ )
- Y** = Year Code
- M** = Month Code for Halogen Free Product
  - O** =Jan    **P** =Feb    **Q** =Mar    **R** =Apr
  - S** =May    **T** =Jun    **U** =Jul    **V** =Aug
  - W** =Sep    **X** =Oct    **Y** =Nov    **Z** =Dec
- L** = Lot Code

**TO-92 Ammo Pack Mechanical Drawing**



**Tape Dimension**

ITEM DESCRIPTION	SYMBOL	DIMENSION(mm)
Base of Package to Lead Bend	b	2.4892 (typ.)
Component Height	Ha	23.5712 (+/- 0.635)
Lead Clinch Height	HO	16.002 (+/- 0.508)
Component Base Height	H1	18.9992 (+/- 0.508)
Component Alignment (side / side)	Pd	1.016 (max)
Component Alignment (front / back)	Hd	0.7874 (max)
Component Pitch	P	12.7 (+/- 0.508)
Feed Hole Pitch	PO	12.7 (+/- 0.2032)
Hole Center to Component Center	P1	3.81 (+0.2286, -0.254)
Hole Center to Component Center	P2	6.2738 (+/- 0.1778)
Lead Spread	F1/F2	2.6416 (+/- 0.254)
Lead Thickness	d	0.4572 (+0.0508, -0.0762)
Cut Lead Length	L	10.8966 (max)
Taped Lead Length	L1	5.3086 (+1.2954, -1.3208)
Taped Lead Thickness	t	0.8218 (+/- 0.1524)
Carrier Tape Thickness	t1	0.5334 (+/- 0.1524)
Carrier Tape Width	W	17.9832 (+0.508, -0.4826)
Hold – down Tape Width	WO	5.9944 (+/- 0.3048)
Hold – down Tape position	W1	0.889 (max)
Feed Hole Position	W2	9.144 (+/- 0.635)
Sprocket Hole Diameter	DO	3.9878 (+0.2032, -0.1778)
Lead Spring Out	S	0.1016 (max)

### Notice

Specifications of the products displayed herein are subject to change without notice. TSC or anyone on its behalf, assumes no responsibility or liability for any errors or inaccuracies.

Information contained herein is intended to provide a product description only. No license, express or implied, to any intellectual property rights is granted by this document. Except as provided in TSC's terms and conditions of sale for such products, TSC assumes no liability whatsoever, and disclaims any express or implied warranty, relating to sale and/or use of TSC products including liability or warranties relating to fitness for a particular purpose, merchantability, or infringement of any patent, copyright, or other intellectual property right.

The products shown herein are not designed for use in medical, life-saving, or life-sustaining applications. Customers using or selling these products for use in such applications do so at their own risk and agree to fully indemnify TSC for any damages resulting from such improper use or sale.



Компания «ЭлектроПласт» предлагает заключение долгосрочных отношений при поставках импортных электронных компонентов на взаимовыгодных условиях!

Наши преимущества:

- Оперативные поставки широкого спектра электронных компонентов отечественного и импортного производства напрямую от производителей и с крупнейших мировых складов;
- Поставка более 17-ти миллионов наименований электронных компонентов;
- Поставка сложных, дефицитных, либо снятых с производства позиций;
- Оперативные сроки поставки под заказ (от 5 рабочих дней);
- Экспресс доставка в любую точку России;
- Техническая поддержка проекта, помощь в подборе аналогов, поставка прототипов;
- Система менеджмента качества сертифицирована по Международному стандарту ISO 9001;
- Лицензия ФСБ на осуществление работ с использованием сведений, составляющих государственную тайну;
- Поставка специализированных компонентов (Xilinx, Altera, Analog Devices, Intersil, Interpoint, Microsemi, Aeroflex, Peregrine, Syfer, Eurofarad, Texas Instrument, Miteq, Cobham, E2V, MA-COM, Hittite, Mini-Circuits, General Dynamics и др.);

Помимо этого, одним из направлений компании «ЭлектроПласт» является направление «Источники питания». Мы предлагаем Вам помощь Конструкторского отдела:

- Подбор оптимального решения, техническое обоснование при выборе компонента;
- Подбор аналогов;
- Консультации по применению компонента;
- Поставка образцов и прототипов;
- Техническая поддержка проекта;
- Защита от снятия компонента с производства.



#### Как с нами связаться

**Телефон:** 8 (812) 309 58 32 (многоканальный)

**Факс:** 8 (812) 320-02-42

**Электронная почта:** [org@eplast1.ru](mailto:org@eplast1.ru)

**Адрес:** 198099, г. Санкт-Петербург, ул. Калинина, дом 2, корпус 4, литера А.