

SKV Series



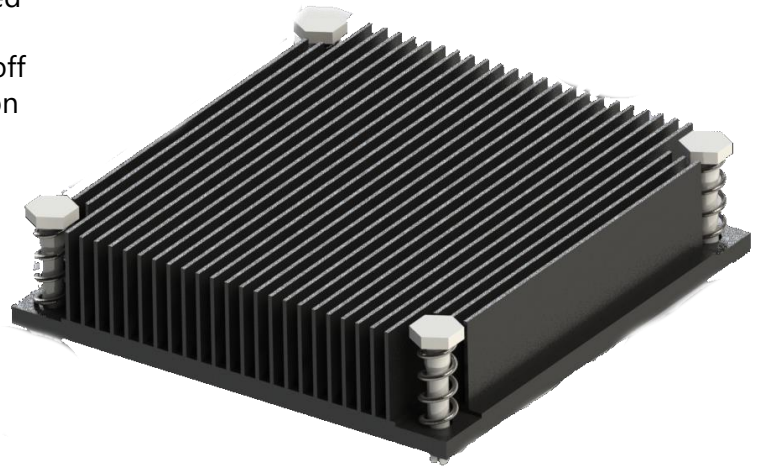
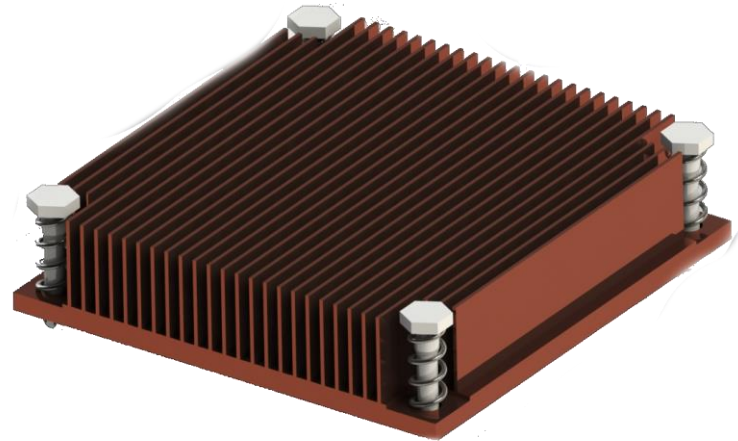
Skived Fin heat sinks can be an alternative to extruded heat sinks when looking for a fin density which can't be achieved by extrusion technology. Skived heat sinks can be manufactured from either copper or aluminum and usually have 0.5 (0.020") thick fins.

Skived heat sinks are produced using a series of sharp knives that, as they pass over the material, curl up a small thickness of metal which is then bent vertically to form the fin. Skived fins are produced from a bar of material which is approximately 16 feet in length and then cut to length as required by the final application.

The final heat sink can be machined using normal fabrication techniques. Because of the thin fins, care must be taken in handling to prevent damage. It is suggested that a shroud be placed over the fins to help prevent damage. Wakefield- Vette SKV Series offers standard off the shelf solutions for customer applications in addition to custom solutions utilizing a plastic pin attachment.

Features:

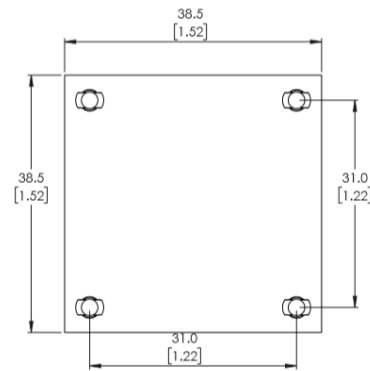
- Plastic push pin attachment for easy insertion
- Plastic pins ensure integrity of the PCB Board
- High fin densities in comparison to extrusion
- No interface between fins and base
- Minimal tooling cost for non-standards
- Improved thermal performance



| WKV Part Number | Description | Attachment Method | Length | Width | Height Off Base (Height of Fin) | Thermal Resistance @ Forced Air Flow | Thermal Resistance @ Natural | Material |
|-----------------|----------------------------------|-------------------|------------------|------------------|---------------------------------|--------------------------------------|------------------------------|----------|
| SKV38538514-CU | COPPER HEATSINK 38.5X37.6X14MM | Plastic Push Pin | 1.480" (37.59mm) | 1.516" (38.50mm) | 0.551" (14.00mm) | 2.60°C/W @ 200 LFM | 15.90°C/W | Copper |
| SKV38538514-AL | ALUMINUM HEATSINK 38.5X37.6X14MM | Plastic Push Pin | 1.480" (37.59mm) | 1.516" (38.50mm) | 0.551" (14.00mm) | 2.70°C/W @ 200 LFM | 17.20°C/W | Aluminum |
| SKV4545225-CU | COPPER HEATSINK 45X44X22.5MM | Plastic Push Pin | 1.732" (44.00mm) | 1.772" (45.00mm) | 0.886" (22.50mm) | 1.65°C/W @ 200 LFM | 8.00°C/W | Copper |
| SKV4545225-AL | ALUMINUM HEATSINK 45X44X22.5MM | Plastic Push Pin | 1.732" (44.00mm) | 1.772" (45.00mm) | 0.886" (22.50mm) | 1.75°C/W @ 200 LFM | 8.70°C/W | Aluminum |
| SKV505014-CU | COPPER HEATSINK 50X50X14MM | Plastic Push Pin | 1.969" (50.00mm) | 1.969" (50.00mm) | 0.551" (14.00mm) | 2.10°C/W @ 200 LFM | 8.90°C/W | Copper |
| SKV505014-AL | ALUMINUM HEATSINK 50X50X14MM | Plastic Push Pin | 1.969" (50.00mm) | 1.969" (50.00mm) | 0.551" (14.00mm) | 2.20°C/W @ 200 LFM | 9.90°C/W | Aluminum |
| SKV585811-CU | COPPER HEATSINK 57.9X59X11MM | Plastic Push Pin | 2.323" (59.00mm) | 2.280" (57.91mm) | 0.433" (11.00mm) | 1.90°C/W @ 200 LFM | 7.70°C/W | Copper |
| SKV585811-AL | ALUMINUM HEATSINK 57.9X59X11MM | Plastic Push Pin | 2.323" (59.00mm) | 2.280" (57.91mm) | 0.433" (11.00mm) | 2.00°C/W @ 200 LFM | 8.40°C/W | Aluminum |
| SKV606014-CU | COPPER HEATSINK 60X60X14MM | Plastic Push Pin | 2.362" (60.00mm) | 2.362" (60.00mm) | 0.551" (14.00mm) | 1.70°C/W @ 200 LFM | 7.00°C/W | Copper |
| SKV606014-AL | ALUMINUM HEATSINK 60X60X14MM | Plastic Push Pin | 2.362" (60.00mm) | 2.362" (60.00mm) | 0.551" (14.00mm) | 1.80°C/W @ 200 LFM | 7.60°C/W | Aluminum |
| SKV606021-CU | COPPER HEATSINK 60X60X21MM | Plastic Push Pin | 2.362" (60.00mm) | 2.362" (60.00mm) | 0.866" (21.00mm) | 0.80°C/W @ 300 LFM | 7.20°C/W | Copper |
| SKV606021-AL | ALUMINUM HEATSINK 60X60X21MM | Plastic Push Pin | 2.362" (60.00mm) | 2.362" (60.00mm) | 0.866" (21.00mm) | 0.90°C/W @ 200 LFM | 7.90°C/W | Aluminum |
| SKV707014-CU | COPPER HEATSINK 70X70X14MM | Plastic Push Pin | 2.717" (69.00mm) | 2.756" (70.00mm) | 0.551" (14.00mm) | 1.40°C/W @ 200 LFM | 5.60°C/W | Copper |
| SKV707014-AL | ALUMINUM HEATSINK 70X70X14MM | Plastic Push Pin | 2.717" (69.00mm) | 2.756" (70.00mm) | 0.551" (14.00mm) | 1.50°C/W @ 200 LFM | 6.30°C/W | Aluminum |
| SKV808012-CU | COPPER HEATSINK 80X80X12MM | Plastic Push Pin | 3.150" (80.00mm) | 3.150" (80.00mm) | 0.472" (12.00mm) | 1.20°C/W @ 200 LFM | 5.10°C/W | Copper |
| SKV808012-AL | ALUMINUM HEATSINK 80X80X12MM | Plastic Push Pin | 3.150" (80.00mm) | 3.150" (80.00mm) | 0.472" (12.00mm) | 1.30°C/W @ 200 LFM | 5.70°C/W | Aluminum |
| SKV909010-CU | COPPER HEATSINK 90X90X10MM | Plastic Push Pin | 3.543" (90.00mm) | 3.543" (90.00mm) | 0.394" (10.00mm) | 1.30°C/W @ 200 LFM | 4.50°C/W | Copper |
| SKV909010-AL | ALUMINUM HEATSINK 90X90X10MM | Plastic Push Pin | 3.543" (90.00mm) | 3.543" (90.00mm) | 0.394" (10.00mm) | 1.40°C/W @ 200 LFM | 5.00°C/W | Aluminum |

SKV Series

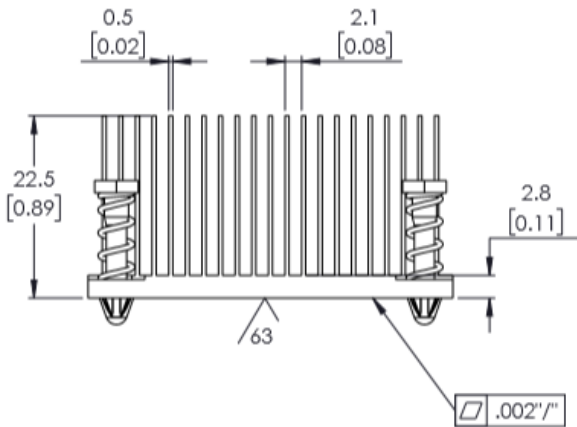
| WKV Part Number | Description | Attachment Method | Length | Width | Height Off Base (Height of Fin) | Thermal Resistance @ Forced Air Flow | Thermal Resistance @ Natural |
|-----------------|----------------------------------|-------------------|------------------|------------------|---------------------------------|--------------------------------------|------------------------------|
| SKV38538514-CU | COPPER HEATSINK 38.5X37.6X14MM | Plastic Push Pin | 1.480" (37.59mm) | 1.516" (38.50mm) | 0.551" (14.00mm) | 2.60°C/W @ 200 LFM | 15.90°C/W |
| SKV38538514-AL | ALUMINUM HEATSINK 38.5X37.6X14MM | Plastic Push Pin | 1.480" (37.59mm) | 1.516" (38.50mm) | 0.551" (14.00mm) | 2.70°C/W @ 200 LFM | 17.20°C/W |



NOTES:

1. INCLUDES 4 PLASTIC PUSHPIN/SPRINGS
2. SUGGESTED PCB HOLES SIZE: $\phi 3.1 \pm 0.3$ ($\phi 0.122 \pm 0.001$)
3. MAXIMUM STACKUP (PCB+COMPONENT) = 4.0MM (0.157)

| WKV Part Number | Description | Attachment Method | Length | Width | Height Off Base (Height of Fin) | Thermal Resistance @ Forced Air Flow | Thermal Resistance @ Natural | Material |
|-----------------|--------------------------------|-------------------|------------------|------------------|---------------------------------|--------------------------------------|------------------------------|----------|
| SKV4545225-CU | COPPER HEATSINK 45X44X22.5MM | Plastic Push Pin | 1.732" (44.00mm) | 1.772" (45.00mm) | 0.886" (22.50mm) | 1.65°C/W @ 200 LFM | 8.00°C/W | Copper |
| SKV4545225-AL | ALUMINUM HEATSINK 45X44X22.5MM | Plastic Push Pin | 1.732" (44.00mm) | 1.772" (45.00mm) | 0.886" (22.50mm) | 1.75°C/W @ 200 LFM | 8.70°C/W | Aluminum |



NOTES:

1. INCLUDES 4 PLASTIC PUSHPIN/SPRINGS
2. SUGGESTED PCB HOLES SIZE: $\phi 3.1 \pm 0.3$ ($\phi 0.122 \pm 0.001$)
3. MAXIMUM STACKUP (PCB+COMPONENT) = 4.0MM (0.157)

| WKV Part Number | Description | Attachment Method | Length | Width | Height Off Base (Height of Fin) | Thermal Resistance @ Forced Air Flow | Thermal Resistance @ Natural | Material |
|-----------------|------------------------------|-------------------|------------------|------------------|---------------------------------|--------------------------------------|------------------------------|----------|
| SKV505014-CU | COPPER HEATSINK 50X50X14MM | Plastic Push Pin | 1.969" (50.00mm) | 1.969" (50.00mm) | 0.551" (14.00mm) | 2.10°C/W @ 200 LFM | 8.90°C/W | Copper |
| SKV505014-AL | ALUMINUM HEATSINK 50X50X14MM | Plastic Push Pin | 1.969" (50.00mm) | 1.969" (50.00mm) | 0.551" (14.00mm) | 2.20°C/W @ 200 LFM | 9.90°C/W | Aluminum |



NOTES:

1. INCLUDES 4 PLASTIC PUSHPIN/SPRINGS
2. SUGGESTED PCB HOLES SIZE: $\phi 3.1 \pm 0.3$ ($\phi 0.122 \pm 0.001$)
3. MAXIMUM STACKUP (PCB+COMPONENT) = 4.0MM (0.157)

SKV Series

| WKV Part Number | Description | Attachment Method | Length | Width | Height Off Base (Height of Fin) | Thermal Resistance @ Forced Air Flow | Thermal Resistance @ Natural | Material |
|-----------------|--------------------------------|-----------------------------------|------------------|------------------|---------------------------------|--------------------------------------|------------------------------|----------|
| SKV585811-CU | COPPER HEATSINK 57.9X59X11MM | Plastic Push Pin 2.323" (59.00mm) | 2.280" (57.91mm) | 2.280" (57.91mm) | 0.433" (11.00mm) | 1.90°C/W @ 200 LFM | 7.70°C/W | Copper |
| SKV585811-AL | ALUMINUM HEATSINK 57.9X59X11MM | Plastic Push Pin 2.323" (59.00mm) | 2.280" (57.91mm) | 2.280" (57.91mm) | 0.433" (11.00mm) | 2.00°C/W @ 200 LFM | 8.40°C/W | Aluminum |



NOTES:

1. INCLUDES 4 PLASTIC PUSHPIN/SPRINGS
2. SUGGESTED PCB HOLES SIZE: $\phi 3.1 \pm 0.3$ ($\phi 0.122 \pm 0.001$)
3. MAXIMUM STACKUP (PCB+COMPONENT) = 4.0MM (0.157)

| WKV Part Number | Description | Attachment Method | Length | Width | Height Off Base (Height of Fin) | Thermal Resistance @ Forced Air Flow | Thermal Resistance @ Natural | Material |
|-----------------|------------------------------|-----------------------------------|------------------|------------------|---------------------------------|--------------------------------------|------------------------------|----------|
| SKV606014-CU | COPPER HEATSINK 60X60X14MM | Plastic Push Pin 2.362" (60.00mm) | 2.362" (60.00mm) | 2.362" (60.00mm) | 0.551" (14.00mm) | 1.70°C/W @ 200 LFM | 7.00°C/W | Copper |
| SKV606014-AL | ALUMINUM HEATSINK 60X60X14MM | Plastic Push Pin 2.362" (60.00mm) | 2.362" (60.00mm) | 2.362" (60.00mm) | 0.551" (14.00mm) | 1.80°C/W @ 200 LFM | 7.60°C/W | Aluminum |



NOTES:

1. INCLUDES 4 PLASTIC PUSHPIN/SPRINGS
2. SUGGESTED PCB HOLES SIZE: $\phi 3.1 \pm 0.3$ ($\phi 0.122 \pm 0.001$)
3. MAXIMUM STACKUP (PCB+COMPONENT) = 4.0MM (0.157)

| WKV Part Number | Description | Attachment Method | Length | Width | Height Off Base (Height of Fin) | Thermal Resistance @ Forced Air Flow | Thermal Resistance @ Natural | Material |
|-----------------|------------------------------|-----------------------------------|------------------|------------------|---------------------------------|--------------------------------------|------------------------------|----------|
| SKV606021-CU | COPPER HEATSINK 60X60X21MM | Plastic Push Pin 2.362" (60.00mm) | 2.362" (60.00mm) | 2.362" (60.00mm) | 0.866" (21.00mm) | 0.80°C/W @ 300 LFM | 7.20°C/W | Copper |
| SKV606021-AL | ALUMINUM HEATSINK 60X60X21MM | Plastic Push Pin 2.362" (60.00mm) | 2.362" (60.00mm) | 2.362" (60.00mm) | 0.866" (21.00mm) | 0.90°C/W @ 200 LFM | 7.90°C/W | Aluminum |

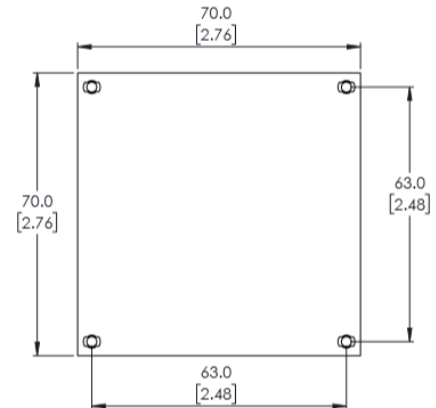
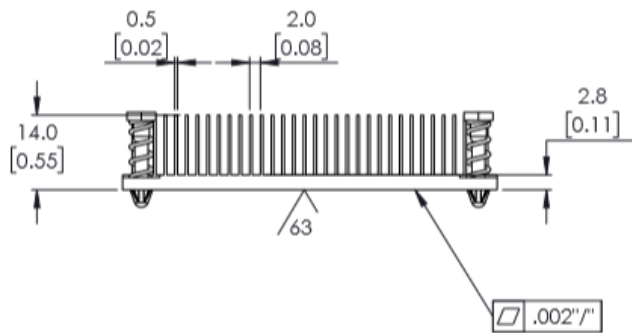


NOTES:

1. INCLUDES 4 PLASTIC PUSHPIN/SPRINGS
2. SUGGESTED PCB HOLES SIZE: $\phi 3.1 \pm 0.3$ ($\phi 0.122 \pm 0.001$)
3. MAXIMUM STACKUP (PCB+COMPONENT) = 4.0MM (0.157)

SKV Series

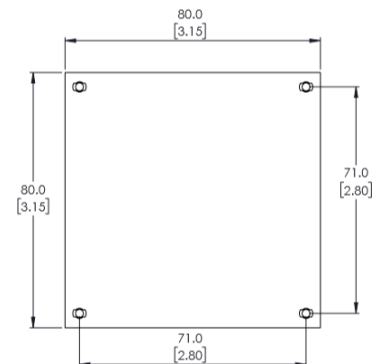
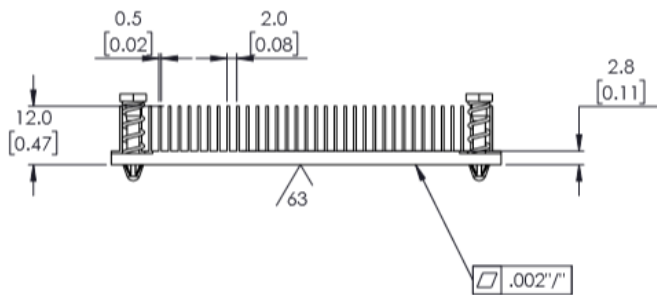
| WKV Part Number | Description | Attachment Method | Length | Width | Height Off Base (Height of Fin) | Thermal Resistance @ Forced Air Flow | Thermal Resistance @ Natural | Material |
|-----------------|------------------------------|-------------------|------------------|------------------|---------------------------------|--------------------------------------|------------------------------|----------|
| SKV707014-CU | COPPER HEATSINK 70X70X14MM | Plastic Push Pin | 2.717" (69.00mm) | 2.756" (70.00mm) | 0.551" (14.00mm) | 1.40°C/W @ 200 LFM | 5.60°C/W | Copper |
| SKV707014-AL | ALUMINUM HEATSINK 70X70X14MM | Plastic Push Pin | 2.717" (69.00mm) | 2.756" (70.00mm) | 0.551" (14.00mm) | 1.50°C/W @ 200 LFM | 6.30°C/W | Aluminum |



NOTE:

1. INCLUDES 4 PLASTIC PUSHPIN/SPRINGS
2. SUGGESTED PCB HOLES SIZE: $\phi 3.1 \pm 0.3$ ($\phi 0.122 \pm 0.001$)
3. MAXIMUM STACKUP (PCB+COMPONENT) = 4.0MM (0.157)

| WKV Part Number | Description | Attachment Method | Length | Width | Height Off Base (Height of Fin) | Thermal Resistance @ Forced Air Flow | Thermal Resistance @ Natural | Material |
|-----------------|------------------------------|-------------------|------------------|------------------|---------------------------------|--------------------------------------|------------------------------|----------|
| SKV808012-CU | COPPER HEATSINK 80X80X12MM | Plastic Push Pin | 3.150" (80.00mm) | 3.150" (80.00mm) | 0.472" (12.00mm) | 1.20°C/W @ 200 LFM | 5.10°C/W | Copper |
| SKV808012-AL | ALUMINUM HEATSINK 80X80X12MM | Plastic Push Pin | 3.150" (80.00mm) | 3.150" (80.00mm) | 0.472" (12.00mm) | 1.30°C/W @ 200 LFM | 5.70°C/W | Aluminum |



NOTES:

1. INCLUDES 4 PLASTIC PUSHPIN/SPRINGS
2. SUGGESTED PCB HOLES SIZE: $\phi 3.1 \pm 0.3$ ($\phi 0.122 \pm 0.001$)
3. MAXIMUM STACKUP (PCB+COMPONENT) = 4.0MM (0.157)

| WKV Part Number | Description | Attachment Method | Length | Width | Height Off Base (Height of Fin) | Thermal Resistance @ Forced Air Flow | Thermal Resistance @ Natural | Material |
|-----------------|------------------------------|-------------------|------------------|------------------|---------------------------------|--------------------------------------|------------------------------|----------|
| SKV909010-CU | COPPER HEATSINK 90X90X10MM | Plastic Push Pin | 3.543" (90.00mm) | 3.543" (90.00mm) | 0.394" (10.00mm) | 1.30°C/W @ 200 LFM | 4.50°C/W | Copper |
| SKV909010-AL | ALUMINUM HEATSINK 90X90X10MM | Plastic Push Pin | 3.543" (90.00mm) | 3.543" (90.00mm) | 0.394" (10.00mm) | 1.40°C/W @ 200 LFM | 5.00°C/W | Aluminum |



NOTES:

1. INCLUDES 4 PLASTIC PUSHPIN/SPRINGS
2. SUGGESTED PCB HOLES SIZE: $\phi 3.1 \pm 0.3$ ($\phi 0.122 \pm 0.001$)
3. MAXIMUM STACKUP (PCB+COMPONENT) = 4.0MM (0.157)



Компания «ЭлектроПласт» предлагает заключение долгосрочных отношений при поставках импортных электронных компонентов на взаимовыгодных условиях!

Наши преимущества:

- Оперативные поставки широкого спектра электронных компонентов отечественного и импортного производства напрямую от производителей и с крупнейших мировых складов;
- Поставка более 17-ти миллионов наименований электронных компонентов;
- Поставка сложных, дефицитных, либо снятых с производства позиций;
- Оперативные сроки поставки под заказ (от 5 рабочих дней);
- Экспресс доставка в любую точку России;
- Техническая поддержка проекта, помощь в подборе аналогов, поставка прототипов;
- Система менеджмента качества сертифицирована по Международному стандарту ISO 9001;
- Лицензия ФСБ на осуществление работ с использованием сведений, составляющих государственную тайну;
- Поставка специализированных компонентов (Xilinx, Altera, Analog Devices, Intersil, Interpoint, Microsemi, Aeroflex, Peregrine, Syfer, Eurofarad, Texas Instrument, Miteq, Cobham, E2V, MA-COM, Hittite, Mini-Circuits, General Dynamics и др.);

Помимо этого, одним из направлений компании «ЭлектроПласт» является направление «Источники питания». Мы предлагаем Вам помощь Конструкторского отдела:

- Подбор оптимального решения, техническое обоснование при выборе компонента;
- Подбор аналогов;
- Консультации по применению компонента;
- Поставка образцов и прототипов;
- Техническая поддержка проекта;
- Защита от снятия компонента с производства.



Как с нами связаться

Телефон: 8 (812) 309 58 32 (многоканальный)

Факс: 8 (812) 320-02-42

Электронная почта: org@eplast1.ru

Адрес: 198099, г. Санкт-Петербург, ул. Калинина, дом 2, корпус 4, литера А.