

# 4N55\*, 5962-87679, HCPL-553X, HCPL-653X, HCPL-257K, HCPL-655X, 5962-90854, HCPL-550X



Hermetically Sealed, Transistor Output Optocouplers  
for Analog and Digital Applications

## Data Sheet

\*See matrix for available extensions.

### Description

These units are single, dual and quad channel, hermetically sealed optocouplers. The products are capable of operation and storage over the full military temperature range and can be purchased as either standard product or with full MIL-PRF-38534 Class Level H or K testing or from the appropriate DLA Drawing. All devices are manufactured and tested on a MIL-PRF-38534 certified line and are included in the DLA Qualified Manufacturers List QML-38534 for Hybrid Microcircuits.

### Applications

- Military and Space
- High Reliability Systems
- Vehicle Command, Control, Life Critical Systems
- Line Receivers
- Switching Power Supply
- Voltage Level Shifting
- Analog Signal Ground Isolation (see Figures 7, 8, and 13)
- Isolated Input Line Receiver
- Isolated Output Line Driver
- Logic Ground Isolation
- Harsh Industrial Environments
- Isolation for Test Equipment Systems

### Features

- Dual Marked with Device Part Number and DLA Drawing Number
- Manufactured and Tested on a MIL-PRF-38534 Certified Line
- QML-38534, Class H and K
- Five Hermetically Sealed Package Configurations
- Performance Guaranteed over Full Military Temperature Range: -55°C to +125°C
- High Speed: Typically 400 kBit/s
- 9 MHz Bandwidth
- Open Collector Output
- 2-18 Volt V<sub>CC</sub> Range
- 1500 Vdc Withstand Test Voltage
- High Radiation Immunity
- 6N135, 6N136, HCPL-2530/2531, Function Compatibility
- Reliability Data

The connection of a 0.1  $\mu$ F bypass capacitor between V<sub>CC</sub> and GND is recommended.

*CAUTION: It is advised that normal static precautions be taken in handling and assembly of this component to prevent damage and/or degradation which may be induced by ESD.*

Each channel contains a GaAsP light emitting diode which is optically coupled to an integrated photon detector. Separate connections for the photodiodes and output transistor collectors improve the speed up to a hundred times that of a conventional phototransistor optocoupler by reducing the base-collector capacitance.

These devices are suitable for wide bandwidth analog applications, as well as for interfacing TTL to LSTTL or CMOS. Current Transfer Ratio (CTR) is 9% minimum at  $I_F = 16 \text{ mA}$ . The  $18 \text{ V } V_{CC}$  capability will enable the designer to interface any TTL family to CMOS. The availability of the base lead allows optimized gain/ bandwidth adjustment in analog applications. The shallow depth of the IC photodiode provides better radiation immunity than conventional phototransistor couplers.

These products are also available with the transistor base node not connected to improve common mode noise immunity and ESD susceptibility. In addition, higher CTR minimums are available by special request.

Package styles for these parts are 8 and 16 pin DIP through hole (case outlines P and E respectively), 16 pin DIP flat pack (case outline F), and leadless ceramic chip carrier (case outline 2). Devices may be purchased with a variety of lead bend and plating options, see Selection Guide Table for details. Standard Microcircuit Drawing (SMD) parts are available for each package and lead style.

Because the same functional die (emitters and detectors) are used for each channel of each device listed in this data sheet, absolute maximum ratings, recommended operating conditions, electrical specifications, and performance characteristics shown in the figures are identical for all parts. Occasional exceptions exist due to package variations and limitations and are as noted. Additionally, the same package assembly processes and materials are used in all devices. These similarities give justification for the use of data obtained from one part to represent other part's performance for die related reliability and certain limited radiation test results.

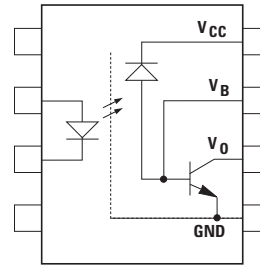
## Truth Table

(Positive Logic)

| Input   | Output |
|---------|--------|
| On (H)  | L      |
| Off (L) | H      |

## Functional Diagram

Multiple Channel Devices Available



## Selection Guide—Package Styles and Lead Configuration Options

| Package               | 16 Pin DIP   | 8 Pin DIP    | 8 Pin DIP           | 16 Pin Flat Pack    | 20 Pad LCCC   |
|-----------------------|--------------|--------------|---------------------|---------------------|---------------|
| Lead Style            | Through Hole | Through Hole | Through Hole        | Unformed Leads      | Surface Mount |
| Channels              | 2            | 1            | 2                   | 4                   | 2             |
| Common Channel Wiring | None         | None         | V <sub>CC</sub> GND | V <sub>CC</sub> GND | None          |

### Avago Part No. and Options

|                       |                     |            |            |            |               |
|-----------------------|---------------------|------------|------------|------------|---------------|
| Commercial            | 4N55 <sup>(1)</sup> | HCPL-5500  | HCPL-5530  | HCPL-6550  | HCPL-6530     |
| MIL-PRF-38534 Class H | 4N55/883B           | HCPL-5501  | HCPL-5531  | HCPL-6551  | HCPL-6531     |
| MIL-PRF-38534 Class K | HCPL-257K           | HCPL-550K  | HCPL-553K  | HCPL-655K  | HCPL-653K     |
| Standard Lead Finish  | Gold Plate          | Gold Plate | Gold Plate | Gold Plate | Solder Pads * |
| Solder Dipped *       | Option 200          | Option 200 | Option 200 |            |               |
| Butt Joint/Gold Plate | Option 100          | Option 100 | Option 100 |            |               |
| Gull Wing/Soldered*   | Option 300          | Option 300 | Option 300 |            |               |

### Class H SMD Part #

|                                |           |            |           |           |           |
|--------------------------------|-----------|------------|-----------|-----------|-----------|
| <i>Prescript for all below</i> | 5962-     | 5962-      | 5962-     | 5962-     | 5962-     |
| Gold Plate                     | 8767901EC | 9085401HPC | 8767902PC | 8767904FC |           |
| Solder Dipped*                 | 8767901EA | 9085401HPA | 8767902PA |           | 87679032A |
| Butt Joint/Gold Plate          | 8767901UC | 9085401HYC | 8767902YC |           |           |
| Butt Joint/Soldered*           | 8767901UA | 9085401HYA | 8767902YA |           |           |
| Gull Wing/Soldered*            | 8767901TA | 9085401HXA | 8767902XA |           |           |

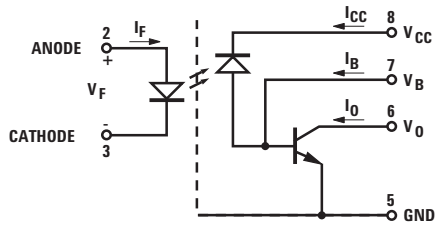
### Class K SMD Part #

|                                |            |            |            |            |            |
|--------------------------------|------------|------------|------------|------------|------------|
| <i>Prescript for all below</i> | 5962-      | 5962-      | 5962-      | 5962-      | 5962-      |
| Gold Plate                     | 8767905KEC | 9085401KPC | 8767906KPC | 8767908KFC |            |
| Solder Dipped *                | 8767905KEA | 9085401KPA | 8767906KPA |            | 8767907K2A |
| Butt Joint/Gold Plate          | 8767905KUC | 9085401KYC | 8767906KYC |            |            |
| Butt Joint/Soldered*           | 8767905KUA | 9085401KYA | 8767906KYA |            |            |
| Gull Wing/Soldered*            | 8767905KTA | 9085401KXA | 8767906KXA |            |            |

1. JEDEC registered part.

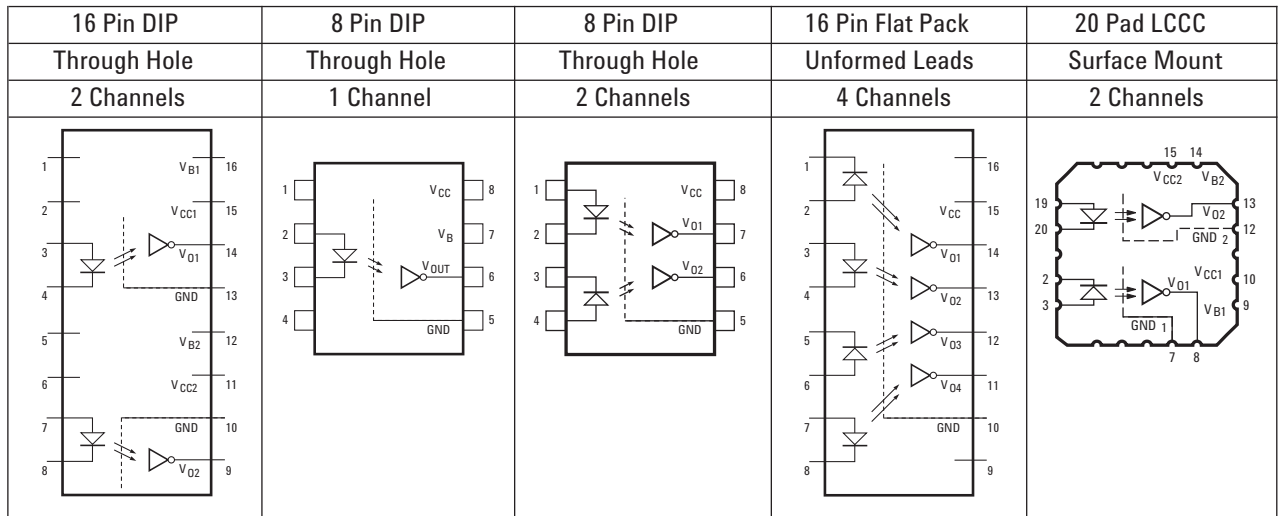
\* Solder contains lead

## 8 Pin Ceramic DIP Single Channel Schematic



Note, base is pin 7.

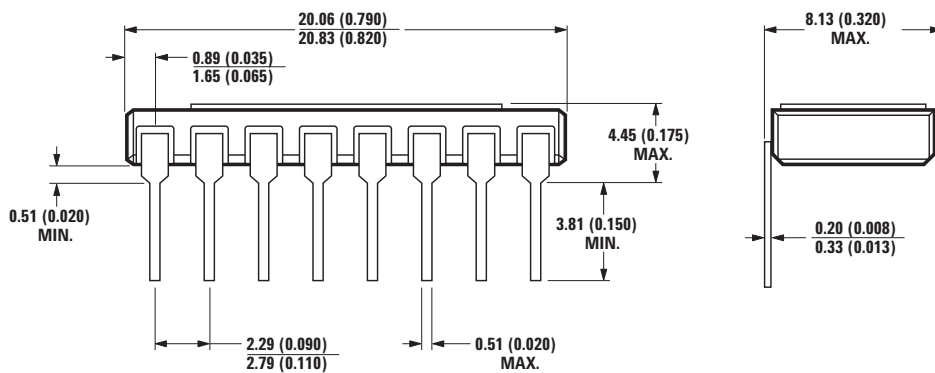
## Functional Diagrams



Note: 8 pin DIP and flat pack devices have common  $V_{CC}$  and ground. 16 pin DIP and LCCC (leadless ceramic chip carrier) packages have isolated channels with separate  $V_{CC}$  and ground connections.

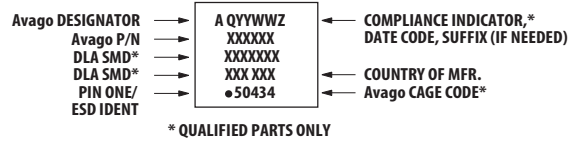
## Outline Drawings

### 16 Pin DIP Through Hole, 2 Channels

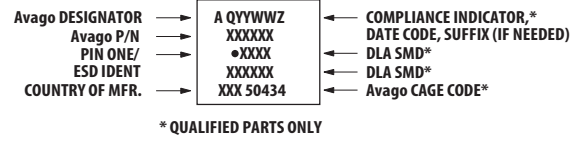


NOTE: DIMENSIONS IN MILLIMETERS (INCHES).

## Leaded Device Marking

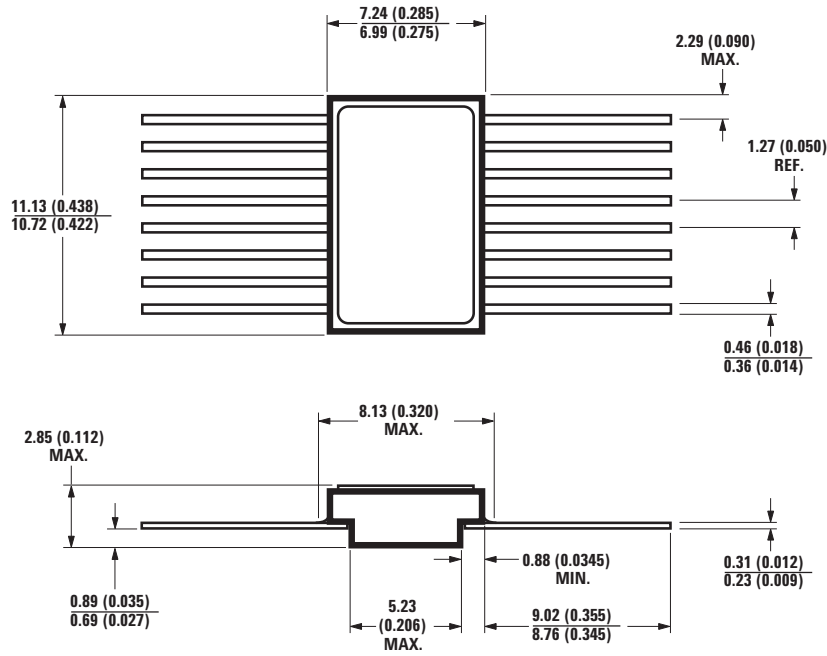


## Leadless Device Marking



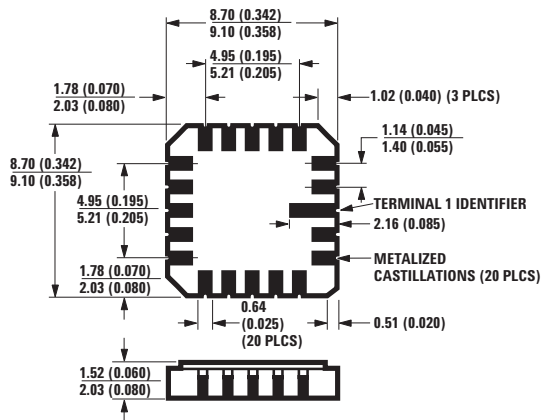
## Outline Drawings

### 16 Pin Flat Pack, 4 Channels



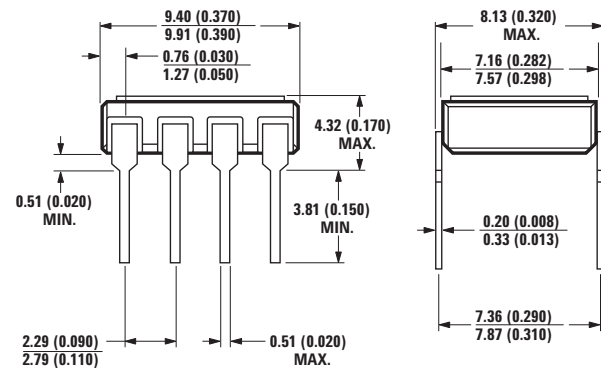
NOTE: DIMENSIONS IN MILLIMETERS (INCHES).

### 20 Terminal LCCC Surface Mount, 2 Channels



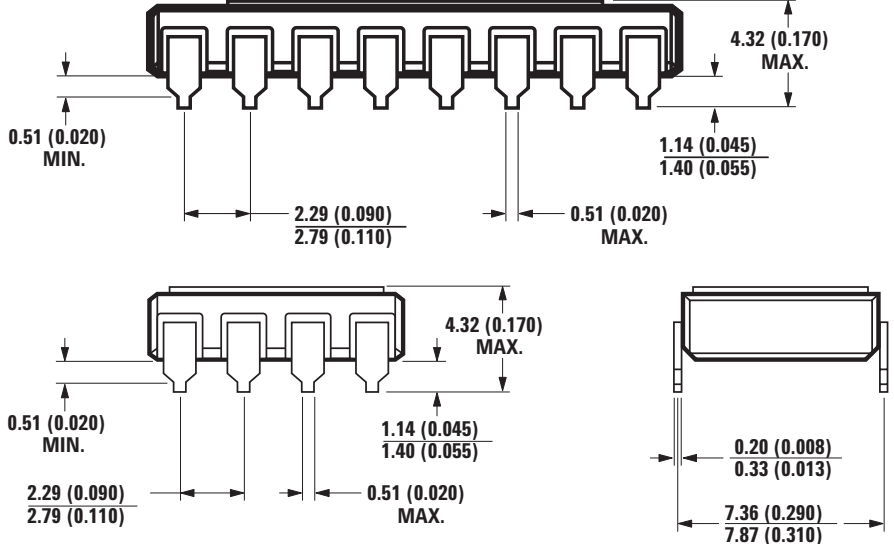
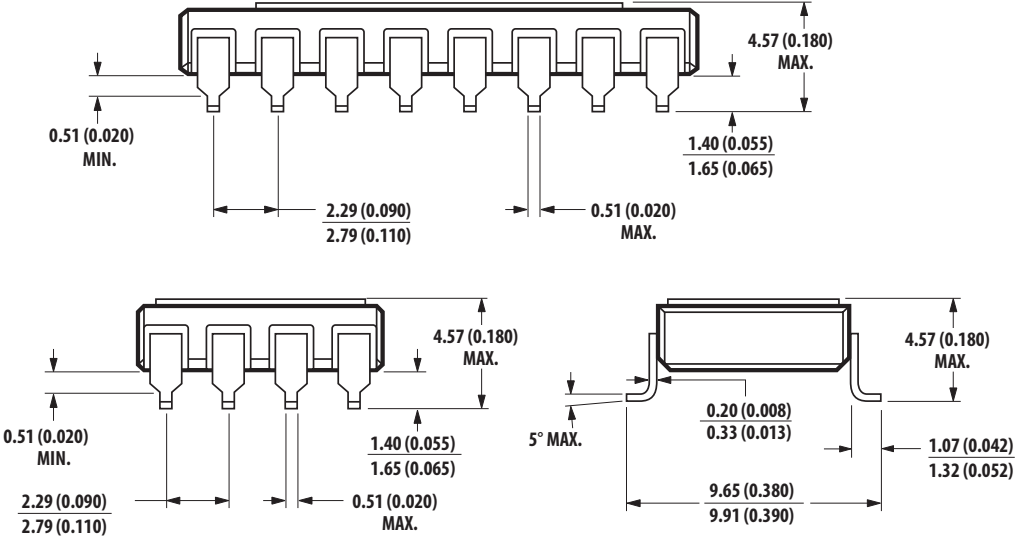
NOTE: DIMENSIONS IN MILLIMETERS (INCHES).  
SOLDER THICKNESS 0.127 (0.005) MAX.

### 8 Pin DIP Through Hole, 1 and 2 Channel



NOTE: DIMENSIONS IN MILLIMETERS (INCHES).

## Hermetic Optocoupler Options

| Option | Description   |
|--------|---|
| 100    | <p>Surface mountable hermetic optocoupler with leads trimmed for butt joint assembly. This option is available on commercial and hi-rel product in 8 and 16 pin DIP (see drawings below for details).</p>  <p style="text-align: center;"><b>NOTE: DIMENSIONS IN MILLIMETERS (INCHES).</b></p>  |
| 200    | <p>Lead finish is solder dipped rather than gold plated. This option is available on commercial and hi-rel product in 8 and 16 pin DIP. DLA drawing part numbers contain provisions for lead finish. All leadless chip carrier devices are delivered with solder dipped terminals as a standard feature.</p>  |
| 300    | <p>Surface mountable hermetic optocoupler with leads cut and bent for gull wing assembly. This option is available on commercial and hi-rel product in 8 and 16 pin DIP (see drawings below for details). This option has solder dipped leads.</p>  <p style="text-align: center;"><b>NOTE: DIMENSIONS IN MILLIMETERS (INCHES).</b></p> |

NOTE: Solder contains lead.

## Absolute Maximum Ratings

No derating required up to +125° C.

| Parameter   | Symbol             | Min.                           | Max.          | Units |
|---|--------------------|--------------------------------|---------------|-------|
| Storage Temperature Range                                     | T <sub>S</sub>     | -65°                           | +150°         | C     |
| Operating Ambient Temperature                                 | T <sub>A</sub>     | -55°                           | +125°         | C     |
| Junction Temperature  | T <sub>J</sub>     |                                | +175°         | C     |
| Case Temperature  | T <sub>C</sub>     |                                | +170°         | C     |
| Lead Solder Temperature (1.6 mm below seating plane)          |                    |                                | 260° for 10 s | C     |
| Average Input Forward Current                                 | I <sub>F AVG</sub> |                                | 20            | mA    |
| Peak Forward Input Current<br>(each channel, ≤ 1 ms duration) | I <sub>FPK</sub>   |                                | 40            | mA    |
| Reverse Input Voltage   | BV <sub>R</sub>    | See Electrical Characteristics |               |       |
| Average Output Current, each channel                          | I <sub>O</sub>     |                                | 8             | mA    |
| Peak Output Current, each channel                             | I <sub>O</sub>     |                                | 16            | mA    |
| Supply Voltage  | V <sub>CC</sub>    | -0.5                           | 20            | V     |
| Output Voltage  | V <sub>O</sub>     | -0.5                           | 20            | V     |
| Input Power Dissipation, each channel                         |                    |                                | 36            | mW    |
| Output Power Dissipation, each channel                        |                    |                                | 50            | mW    |
| Package Power Dissipation, each channel                       | P <sub>D</sub>     |                                | 200           | mW    |

## Single Channel 8 Pin, Dual Channel 16 Pin, and LCCC Only

| Parameter                    | Symbol           | Min. | Max. | Units |
|------------------------------|------------------|------|------|-------|
| Emitter Base Reverse Voltage | V <sub>EBO</sub> |      | 3    | V     |
| Base Current, each channel   | I <sub>B</sub>   |      | 5    | mA    |

## ESD Classification

(MIL-STD-883, Method 3015)

|  |                |
|--|----------------|
| 4N55, 4N55/883B, HCPL-257K, HCPL-5500/01/0K, and HCPL-6530/31/3K | (▲), Class 1   |
| HCPL-5530/31/3K, HCPL-6550/51/5K                                 | (Dot), Class 3 |

## Recommended Operating Conditions

| Parameter                 | Symbol          | Min. | Max. | Units |
|---------------------------|-----------------|------|------|-------|
| Input Current, Low Level  | I <sub>FL</sub> |      | 250  | μA    |
| Input Current, High Level | I <sub>FH</sub> | 12   | 20   | mA    |
| Supply Voltage, Output    | V <sub>CC</sub> | 2    | 18   | V     |

## Electrical Characteristics

$T_A = -55^\circ\text{C}$  to  $+125^\circ\text{C}$ , unless otherwise specified. See Note 12.

| Parameter                                      | Symbol         | Group A, Sub-group | Test Conditions   | Limits                                       |       |  | Units         | Fig.          | Notes          |      |      |
|--|----------------|--------------------|---|--|-------|--|---------------|---------------|----------------|------|------|
|  |                |                    |   | Min.   | Typ.* | Max.   |               |               |                |      |      |
| Current Transfer Ratio                         | CTR            | 1, 2, 3            | $V_O = 0.4\text{V}$ , $I_F = 16\text{ mA}$ ,<br>$V_{CC} = 4.5\text{V}$                                    | 9  | 20    |  | %             | 2, 3          | 1, 2, 10       |      |      |
| Logic High Output Current                      | $I_{OH}$       | 1, 2, 3            | $I_F = 0$ ,<br>$I_F$ (other channels) =<br>20 mA<br>$V_O = V_{CC} = 18\text{V}$                           |  | 5     | 100  | $\mu\text{A}$ | 4             | 1              |      |      |
| Output Leakage Current                         | $I_{OLeak}$    | 1, 2, 3            | $I_F = 250\ \mu\text{A}$ ,<br>$I_F$ (other channels) =<br>20 mA,<br>$V_O = V_{CC} = 18\text{V}$           |  | 30    | 250  | $\mu\text{A}$ | 4             | 1              |      |      |
| Input-Output Insulation Leakage Current        | $I_{I-O}$      | 1                  | $V_{I-O} = 1500\text{ Vdc}$ ,<br>$RH \leq 65\%$ ,<br>$T_A = 25^\circ\text{C}$ , $t = 5\text{ s}$          |  |       | 1.0  | $\mu\text{A}$ |               | 3, 9           |      |      |
| Input Forward Voltage                          | $V_F$          | 1, 2, 3            | $I_F = 20\text{ mA}$  |  | 1.55  | 1.8<br>1.9   | V             | 1             | 1, 14<br>1, 13 |      |      |
| Reverse Breakdown Voltage                      | $BV_R$         | 1, 2, 3            | $I_R = 10\ \mu\text{A}$   | 5<br>3                                       |       |  | V             |               | 1, 14<br>1, 13 |      |      |
| Logic High Supply Current                      | Single Channel | $I_{CCH}$          | 1, 2, 3   | $V_{CC} = 18\text{V}$ , $I_F = 0\text{ mA}$  |       | 0.1  | 10            | $\mu\text{A}$ |                | 1    |      |
|  | Dual Channel   |                    |   |  |       | 0.2  | 20            |               |                | 1,4  |      |
|  | Quad Channel   |                    |   |  |       | 0.4  | 40            |               |                | 1    |      |
| Logic Low Supply Current                       | Single Channel | $I_{CCL}$          | 1, 2, 3   | $V_{CC} = 18\text{V}$ , $I_F = 20\text{ mA}$ |       | 35   | 200           | $\mu\text{A}$ |                | 1    |      |
|  | Dual Channel   |                    |   |  |       | $V_{CC} = 18\text{V}$ , $I_{F1} = I_{F2} = 20\text{ mA}$                   | 70            |               |                | 400  | 1, 4 |
|  | Quad Channel   |                    |   |  |       | $V_{CC} = 18\text{V}$ , $I_{F1} = I_{F2} = I_{F3} = I_{F4} = 20\text{ mA}$ | 140           |               |                | 800  | 1    |
| Propagation Delay Time to Logic High at Output | $t_{PLH}$      | 9, 10, 11          | $R_L = 8.2\text{ k}\Omega$ ,<br>$C_L = 50\text{ pF}$ ,<br>$I_F = 16\text{ mA}$ ,<br>$V_{CC} = 5\text{ V}$ |  |       | 1.0  | 6.0           | $\mu\text{s}$ | 6, 9           | 1, 6 |      |
| Propagation Delay Time to Logic Low at Output  | $t_{PHL}$      |                    |   |  |       | 0.4  | 2.0           |               |                |      |      |

\*All typical values are at  $V_{CC} = 5\text{ V}$ ,  $T_A = 25^\circ\text{C}$ .



## Typical Characteristics

All typical values are at  $T_A = 25^\circ\text{C}$ ,  $V_{CC} = 5\text{ V}$ , unless otherwise specified.

| Parameter   | Symbol                  | Test Conditions   | Typ.      | Units                | Fig. | Notes |
|---|-------------------------|---|-----------|----------------------|------|-------|
| Input Capacitance   | $C_{IN}$                | $V_F = 0\text{ V}$ , $f = 1\text{ MHz}$   | 60        | pF                   |      | 1     |
| Input Diode Temperature Coefficient                       | $\Delta V_F/\Delta T_A$ | $I_F = 20\text{ mA}$  | -1.5      | mV/ $^\circ\text{C}$ |      | 1     |
| Resistance (Input-Output)                                 | $R_{I-O}$               | $V_{I-O} = 500\text{ V}$  | $10^{12}$ | $\Omega$             |      | 3     |
| Capacitance (Input-Output)                                | $C_{I-O}$               | $f = 1\text{ MHz}$  | 1.0       | pF                   |      | 1, 11 |
| Transistor DC Current Gain                                | $h_{FE}$                | $V_O = 5\text{ V}$ , $I_O = 3\text{ mA}$  | 250       | -                    |      | 1     |
| Small Signal Current Transfer Ratio                       | $\Delta I_O/\Delta I_F$ | $V_{CC} = 5\text{ V}$ , $V_O = 2\text{ V}$  | 21        | %                    | 7    | 1     |
| Common Mode Transient Immunity at Logic High Level Output | $ CM_H $                | $I_F = 0\text{ mA}$ , $R_L = 8.2\text{ k}\Omega$ ,<br>$V_O(\text{min}) = 2.0\text{ V}$ ,<br>$V_{CM} = 10\text{ V}_{P-P}$  | 1000      | V/ $\mu\text{s}$     | 10   | 1, 7  |
| Common Mode Transient Immunity at Logic Low Level Output  | $ CM_L $                | $I_F = 16\text{ mA}$ , $R_L = 8.2\text{ k}\Omega$ ,<br>$V_O(\text{max}) = 0.8\text{ V}$ ,<br>$V_{CM} = 10\text{ V}_{P-P}$ | -1000     | V/ $\mu\text{s}$     | 10   | 1, 7  |
| Bandwidth   | BW                      |   | 9         | MHz                  | 8    | 8     |

## Multi-Channel Product Only

| Parameter                              | Symbol    | Test Conditions  | Typ.      | Units    | Notes |
|--|-----------|--|-----------|----------|-------|
| Input-Input Insulation Leakage Current | $I_{I-I}$ | $RH \leq 65\%$ , $V_{I-I} = 500\text{ V}$ , $t = 5\text{ s}$ | 1         | pA       | 5, 9  |
| Resistance (Input-Input)               | $R_{I-I}$ | $V_{I-I} = 500\text{ V}$                                     | $10^{12}$ | $\Omega$ | 5     |
| Capacitance (Input-Input)              | $C_{I-I}$ | $f = 1\text{ MHz}$   | 0.8       | pF       | 5     |

### Notes:

- Each channel of a multi-channel device.
- Current Transfer Ratio is defined as the ratio of output collector current,  $I_O$ , to the forward LED input current,  $I_F$ , times 100%. CTR is known to degrade slightly over the unit's lifetime as a function of input current, temperature, signal duty cycle, and system on time. Refer to Application Note 1002 for more detail. In short, it is recommended that designers allow at least 20-25% guardband for CTR degradation.
- All devices are considered two-terminal devices; measured between all input leads or terminals shorted together and all output leads or terminals shorted together.
- The 4N55, 4N55/883B, HCPL-257K, HCPL-6530, HCPL-6531, and HCPL-653K dual channel parts function as two independent single channel units. Use the single channel parameter limits.  $I_F = 0\text{ mA}$  for channel under test and  $I_F = 20\text{ mA}$  for other channels.
- Measured between adjacent input pairs shorted together for each multichannel device.
- $t_{PHL}$  propagation delay is measured from the 50% point on the leading edge of the input pulse to the 1.5 V point on the leading edge of the output pulse. The  $t_{PLH}$  propagation delay is measured from the 50% point on the trailing edge of the input pulse to the 1.5 V point on the trailing edge of the output pulse.
- $CM_L$  is the maximum rate of rise of the common mode voltage that can be sustained with the output voltage in the logic low state ( $V_O < 0.8\text{ V}$ ).  $CM_H$  is the maximum rate of fall of the common mode voltage that can be sustained with the output voltage in the logic high state ( $V_O > 2.0\text{ V}$ ).
- Bandwidth is the frequency at which the ac output voltage is 3 dB below the low frequency asymptote. For the HCPL-5530 the typical bandwidth is 2 MHz.
- This is a momentary withstand test, not an operating condition.
- Higher CTR minimums are available to support special applications.
- Measured between each input pair shorted together and all output connections for that channel shorted together.
- Standard parts receive 100% testing at  $25^\circ\text{C}$  (Subgroups 1 and 9). SMD and 883B parts receive 100% testing at 25, 125, and  $-55^\circ\text{C}$  (Subgroups 1 and 9, 2 and 10, 3 and 11, respectively).
- Not required for 4N55, 4N55/883B, HCPL-257K, 5962-8767901, and 5962-8767905 types.
- Required for 4N55, 4N55/883B, HCPL-257K, 5962-8767901, and 5962-8767905 types only.

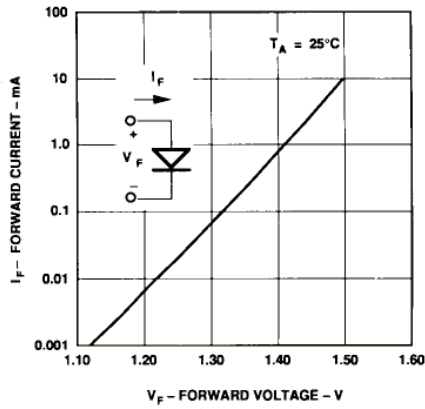


Figure 1. Input Diode Forward Current vs. Forward Voltage.

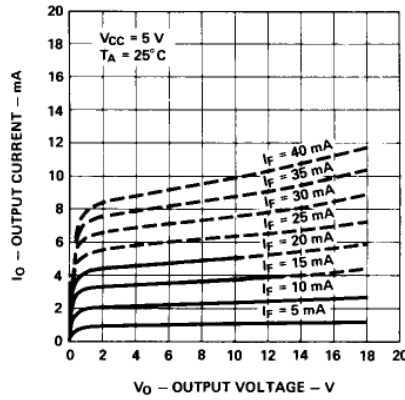


Figure 2. DC and Pulsed Transfer Characteristic.

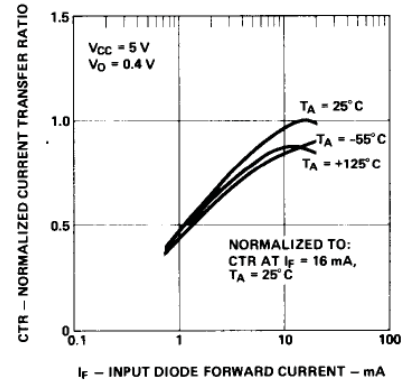


Figure 3. Normalized Current Transfer Ratio vs. Input Diode Forward Current.

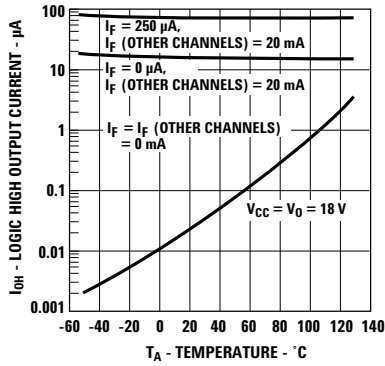


Figure 4. Logic High Output Current vs. Temperature.

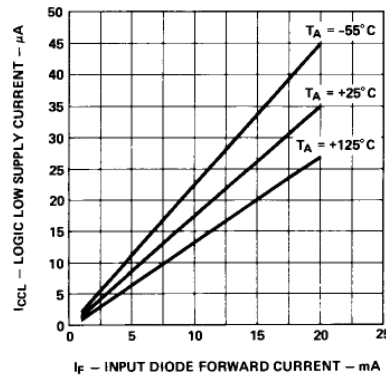


Figure 5. Logic Low Supply Current vs. Input Diode Forward Current.

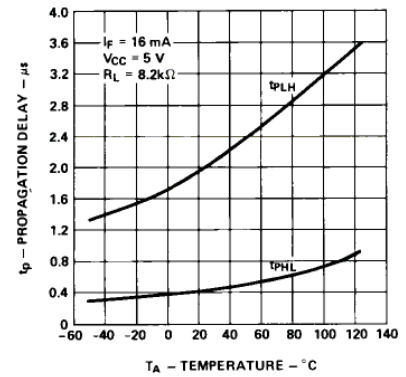


Figure 6. Propagation Delay vs. Temperature.

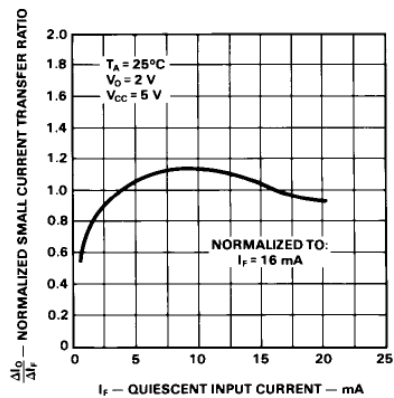


Figure 7. Normalized Small Signal Current Transfer Ratio vs. Quiescent Input Current.

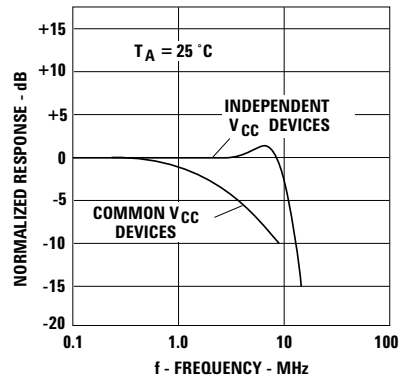
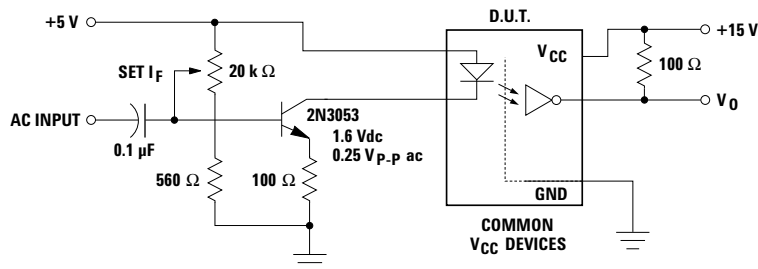
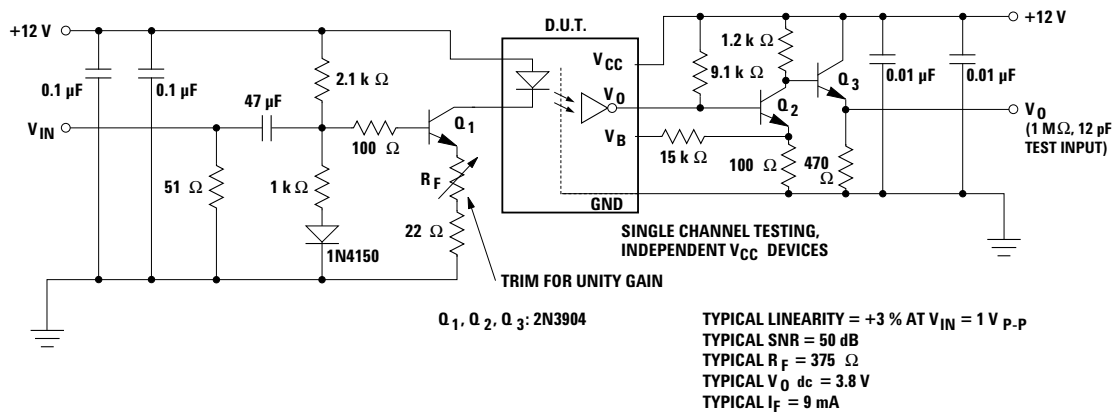
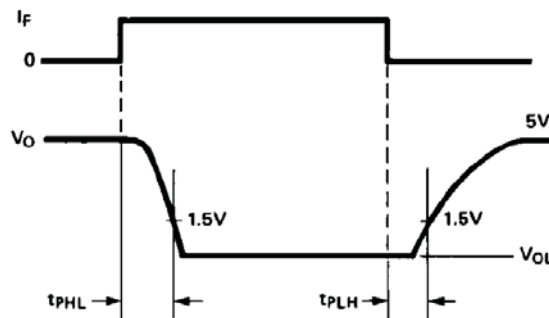
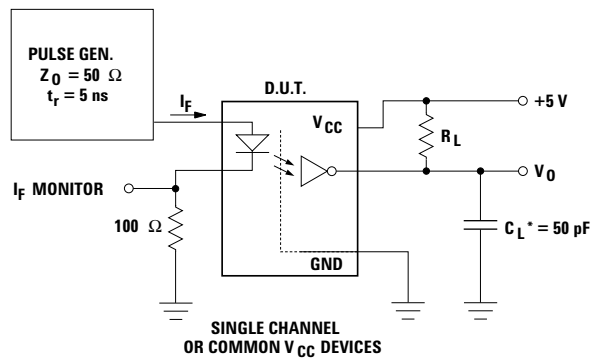


Figure 8. Frequency Response.

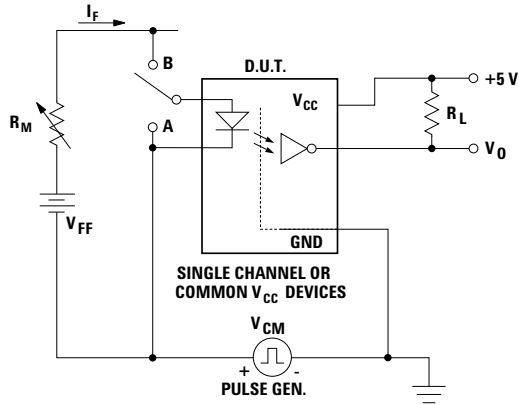


10% DUTY CYCLE  
 $1/f < 100\ \mu s$

NOTES:  
 \*  $C_L$  INCLUDES PROBE AND STRAY WIRING CAPACITANCE.  
 BASE LEAD NOT CONNECTED.

Figure 9. Switching Test Circuit.\*

\*JEDEC Registered Data.



NOTE: BASE LEAD NOT CONNECTED.

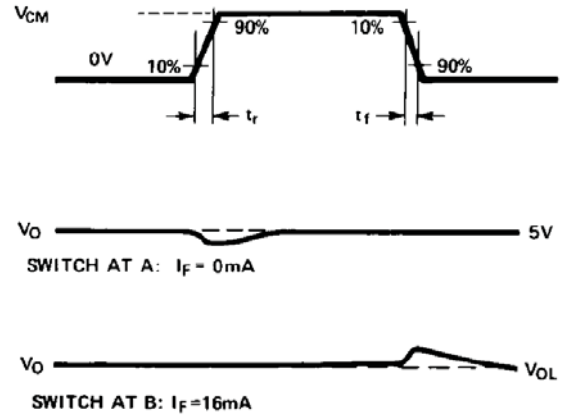


Figure 10. Test Circuit for Transient Immunity and Typical Waveforms.

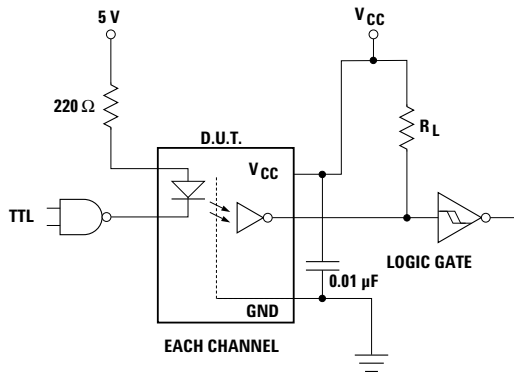


Figure 11. Recommended Logic Interface.

| Logic Family                | LSTTL   | CMOS      |       |
|-----------------------------|---------|-----------|-------|
| Device No.                  | 54LS14  | CD40106BM |       |
| V <sub>CC</sub>             | 5 V     | 5 V       | 15 V  |
| R <sub>L</sub> 5% Tolerance | 18 kΩ * | 8.2 kΩ    | 22 kΩ |

\*The equivalent output load resistance is affected by the LSTTL input current and is approximately 8.2 kΩ. This is a worst case design which takes into account 25% degradation of CTR. See App. Note 1002 to assess actual degradation and lifetime.

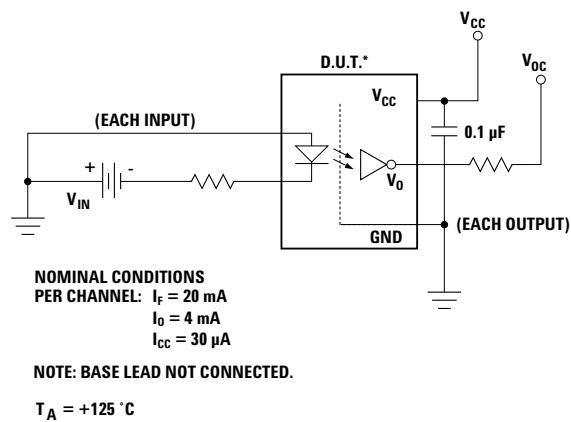


Figure 12. Operating Circuit for Burn-In and Steady State Life Tests. All Channels Tested Simultaneously.

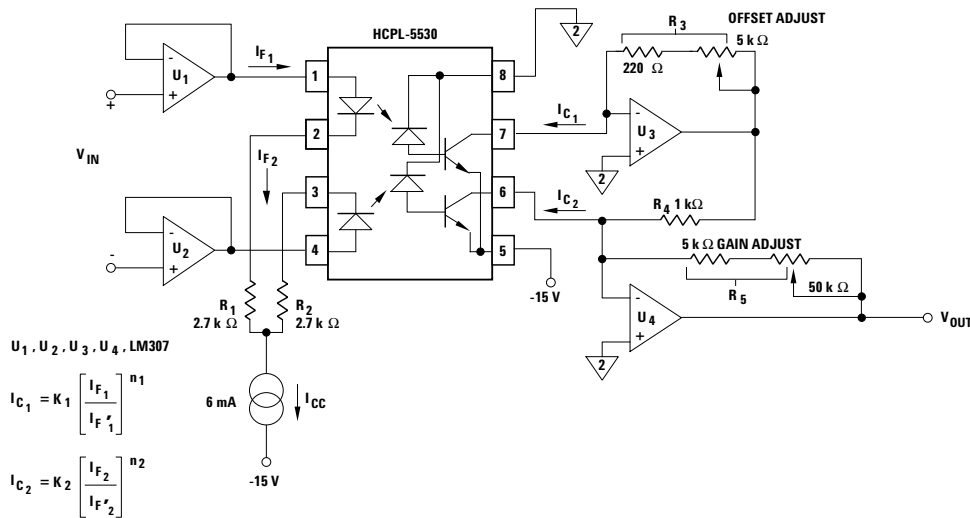


Figure 13. Isolation Amplifier Application Circuit.

## Description

The schematic uses a dualchannel, high-speed optocoupler (HCPL-5530) to function as a servo type dc isolation amplifier. This circuit operates on the principle that two optocouplers will track each other if their gain changes by the same amount over a specific operating region.

## MIL-PRF-38534 Class H, Class K, and DLA SMD Test Program

Avago Technologies's Hi-Rel Optocouplers are in compliance with MIL-PRF-38534 Classes H and K. Class H and Class K devices are also in compliance with DLA drawings 5962-87679, and 5962-90854. Testing consists of 100% screening and quality conformance inspection to MIL-PRF-38534.

## Performance of Circuit

- 1% linearity for 10 V peak-to-peak dynamic range
- Gain drift: -0.03%/°C
- Offset Drift: ± 1 mV/°C
- 25 kHz bandwidth (limited by Op-Amps U1, U2)

For product information and a complete list of distributors, please go to our web site: [www.avagotech.com](http://www.avagotech.com)

Avago, Avago Technologies, and the A logo are trademarks of Avago Technologies, Limited in the United States and other countries. Data subject to change. Copyright © 2005-2012 Avago Technologies Limited. All rights reserved. Obsoletes 5989-1659EN AV02-3846EN - October 2, 2012

**AVAGO**  
TECHNOLOGIES



Компания «ЭлектроПласт» предлагает заключение долгосрочных отношений при поставках импортных электронных компонентов на взаимовыгодных условиях!

Наши преимущества:

- Оперативные поставки широкого спектра электронных компонентов отечественного и импортного производства напрямую от производителей и с крупнейших мировых складов;
- Поставка более 17-ти миллионов наименований электронных компонентов;
- Поставка сложных, дефицитных, либо снятых с производства позиций;
- Оперативные сроки поставки под заказ (от 5 рабочих дней);
- Экспресс доставка в любую точку России;
- Техническая поддержка проекта, помощь в подборе аналогов, поставка прототипов;
- Система менеджмента качества сертифицирована по Международному стандарту ISO 9001;
- Лицензия ФСБ на осуществление работ с использованием сведений, составляющих государственную тайну;
- Поставка специализированных компонентов (Xilinx, Altera, Analog Devices, Intersil, Interpoint, Microsemi, Aeroflex, Peregrine, Syfer, Eurofarad, Texas Instrument, Miteq, Cobham, E2V, MA-COM, Hittite, Mini-Circuits, General Dynamics и др.);

Помимо этого, одним из направлений компании «ЭлектроПласт» является направление «Источники питания». Мы предлагаем Вам помощь Конструкторского отдела:

- Подбор оптимального решения, техническое обоснование при выборе компонента;
- Подбор аналогов;
- Консультации по применению компонента;
- Поставка образцов и прототипов;
- Техническая поддержка проекта;
- Защита от снятия компонента с производства.



#### Как с нами связаться

**Телефон:** 8 (812) 309 58 32 (многоканальный)

**Факс:** 8 (812) 320-02-42

**Электронная почта:** [org@eplast1.ru](mailto:org@eplast1.ru)

**Адрес:** 198099, г. Санкт-Петербург, ул. Калинина, дом 2, корпус 4, литера А.