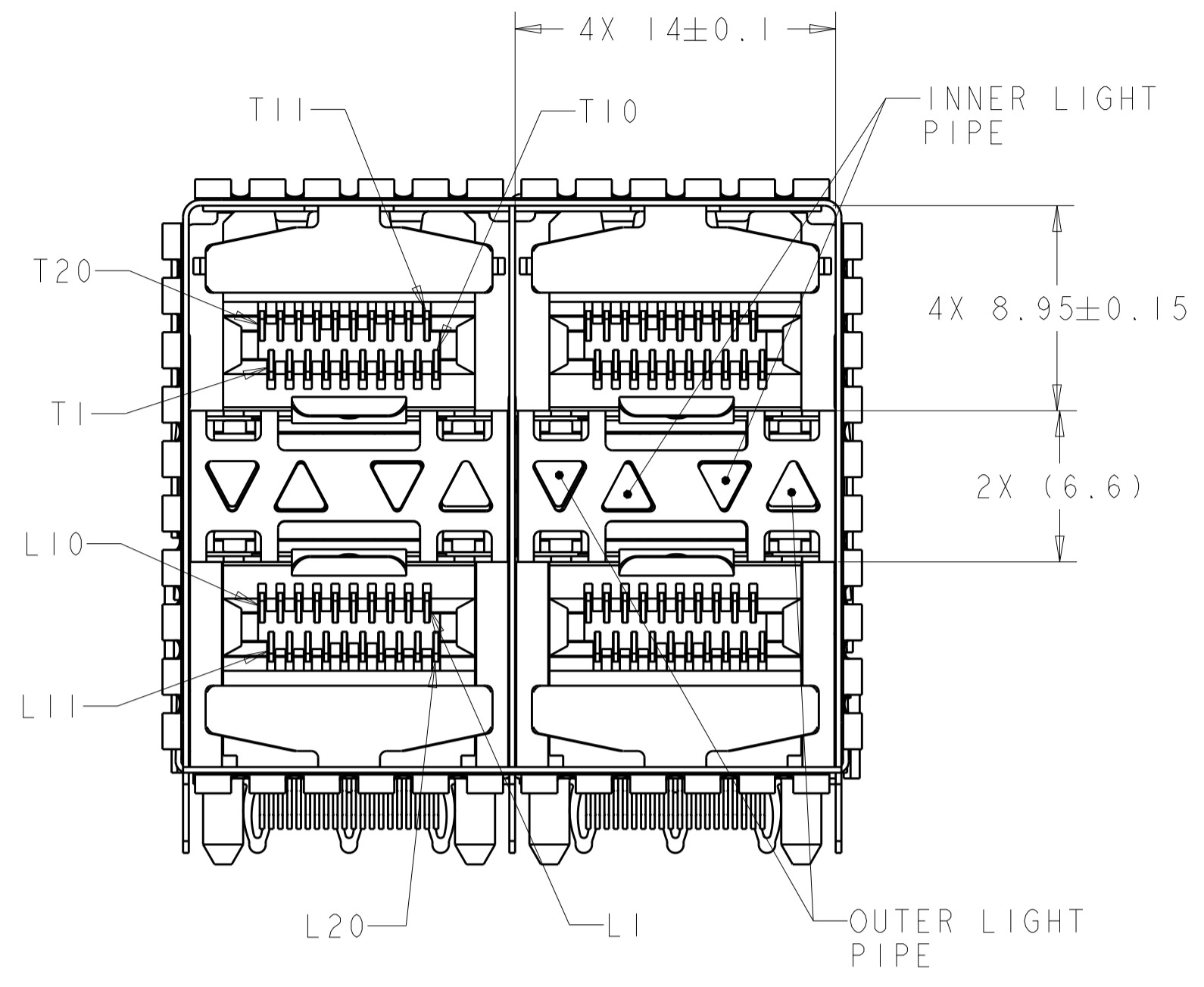
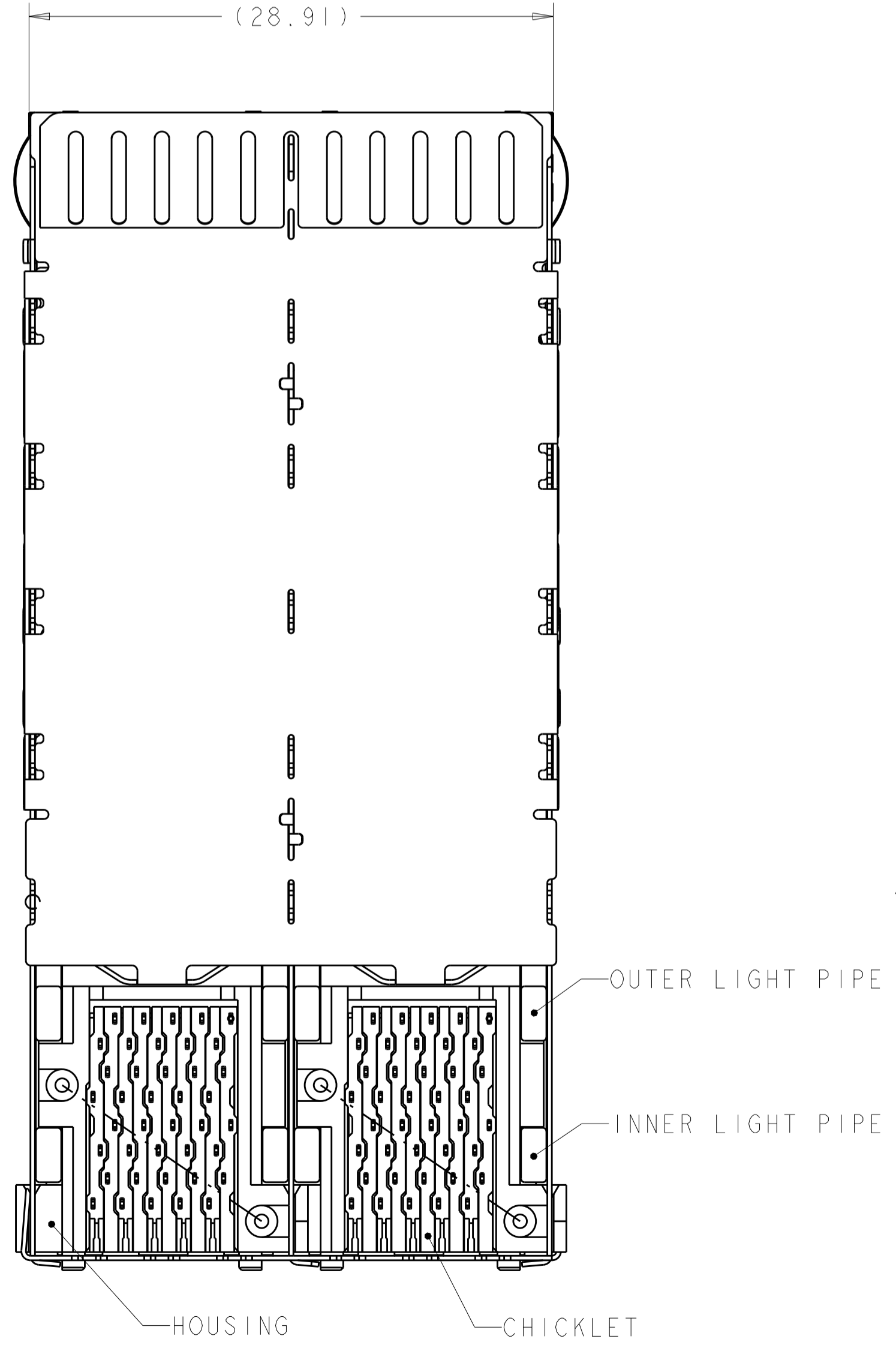
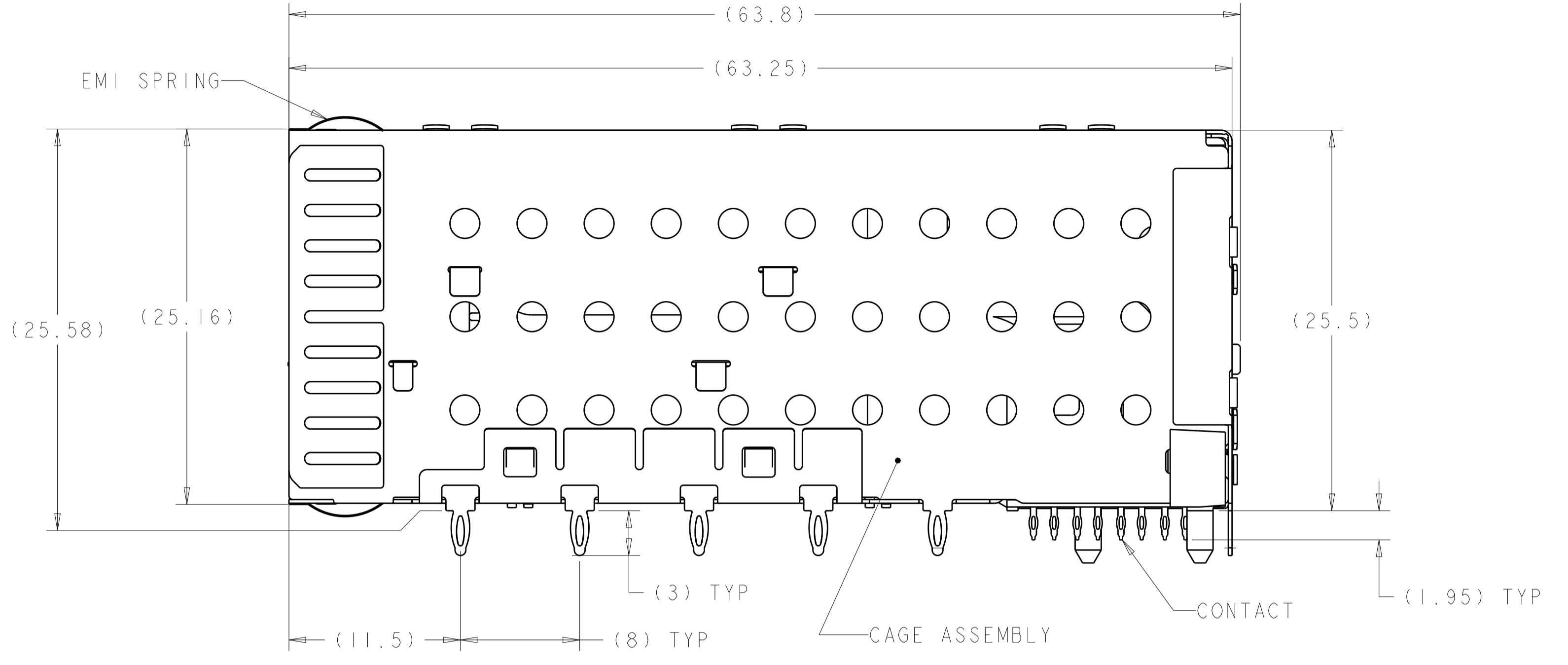


| LOC | DIST | REVISIONS | | | |
|-----|------|---------------------------|-----------|-----|------|
| P | LTN | DESCRIPTION | DATE | DWN | APVD |
| B1 | | REVISED PER ECO-11-004835 | 11MAR2011 | RK | HMR |
| C | | REVISED PER ECO-11-020849 | 17JAN2012 | CJV | PAR |
| C1 | | REVISED PER ECO-13-003678 | 05APR2013 | CJV | PAR |
| D | | REVISED PER ECO-15-017922 | 04FEB2016 | AP | PR |



2007637-5 AS SHOWN



- 1 MATERIALS:
 CAGE ASSEMBLY- NICKEL SILVER ALLOY PER ASTM B 122.
 EMI SPRING- COPPER ALLOY.
 HOUSING- BLACK LCP, UL 94V-0 RATED.
 CHICKLET- BLACK LCP, UL 94V-0 RATED.
 LIGHT PIPE- POLYCARBONATE, CLEAR.
 INSERT - LCP, BLACK, UL 94V-0.
 CONTACT- COPPER ALLOY.
- 2 DATUM AND BASIC DIMENSIONS ESTABLISHED BY CUSTOMER.
- 3. MINIMUM PCB THICKNESS OF 1.5.
- 4 CONTACT FINISH- CONFORMS TO THE REQUIREMENTS OF TE CONNECTIVITY PRODUCT SPECIFICATION 108-2331, BASED ON EIA/ECA-364-1000.01A, (CONTROLLED ENVIRONMENT APPLICATIONS) ON MATING INTERFACE, TIN-LEAD ON NEEDLE EYE.
- 5 CONTACT FINISH- CONFORMS TO THE REQUIREMENTS OF TE CONNECTIVITY PRODUCT SPECIFICATION 108-2331, BASED ON EIA/ECA-364-1000.01A, (CONTROLLED ENVIRONMENT APPLICATIONS) ON MATING INTERFACE, TIN ON NEEDLE EYE.
- 6 FOR HOLE SIZE AND PLATINGS, SEE APPLICATION SPEC 114-13219.
- 7 THE ENTIRE AREA OF THE CONNECTOR FOOTPRINT, INDICATED BY THE DASHED LINE, TO BE CONSIDERED THE KEEPOUT AREA FOR COMPONENTS AND SIGNAL TRACES, TOP SIDE ONLY. TOP SIDE TRACES ALLOWED WITHIN CONNECTOR HOLE PATTERN.
- 8 LIGHT PIPE PAD LAYOUT IS FOR 0805 LOW PROFILE LED PACKAGE WITH A HEIGHT OF 0.8mm.
- 9 EMI SPRING FINISH: 0.8µm MINIMUM MATTE TIN OVER 0.8µm MINIMUM NICKEL, NONPLATED EDGES PERMISSIBLE.
- 10 ADDITIONAL COMPONENT LOCATED WITHIN LATCH PLATE FOR EMI SUPPRESSION.

| ENHANCED EMI | FINISH | DESCRIPTION | PART NUMBER |
|--------------|--------|---------------------|-------------|
| YES 10 | 5 | NO LIGHT PIPES | 1-2007637-8 |
| | | OUTER 2 LIGHT PIPES | 1-2007637-7 |
| | | INNER 2 LIGHT PIPES | 1-2007637-6 |
| NO | 5 | 4 LIGHT PIPES | 1-2007637-5 |
| | | NO LIGHT PIPES | 2007637-8 |
| | | OUTER 2 LIGHT PIPES | 2007637-7 |
| SUPERSEDED | NO | INNER 2 LIGHT PIPES | 2007637-6 |
| | | 4 LIGHT PIPES | 2007637-5 |
| | | NO LIGHT PIPES | 2007637-4 |
| ENHANCED EMI | FINISH | OUTER 2 LIGHT PIPES | 2007637-3 |
| | | INNER 2 LIGHT PIPES | 2007637-2 |
| | | 4 LIGHT PIPES | 2007637-1 |

THIS DRAWING IS A CONTROLLED DOCUMENT. DIMENSIONING AND TOLERANCING PER ASME Y14.5M-2009.

DIMENSIONS: mm

TOLERANCES UNLESS OTHERWISE SPECIFIED:
 0 PLC ±0.10
 1 PLC ±0.10
 2 PLC ±0.10
 3 PLC ±0.10
 4 PLC ±0.10
 ANGLES ±°

MATERIAL: 1

FINISH: 4 5 9

DWN: M. SHIRK 23JAN2008
 CHK: D. SZCZESNY 23JAN2008
 APVD: D. SZCZESNY 23JAN2008

NAME: CAGE AND PT CONNECTOR ASSEMBLY, WITH EMI SPRINGS, PRESS FIT, 2X2, STACKED SFP+

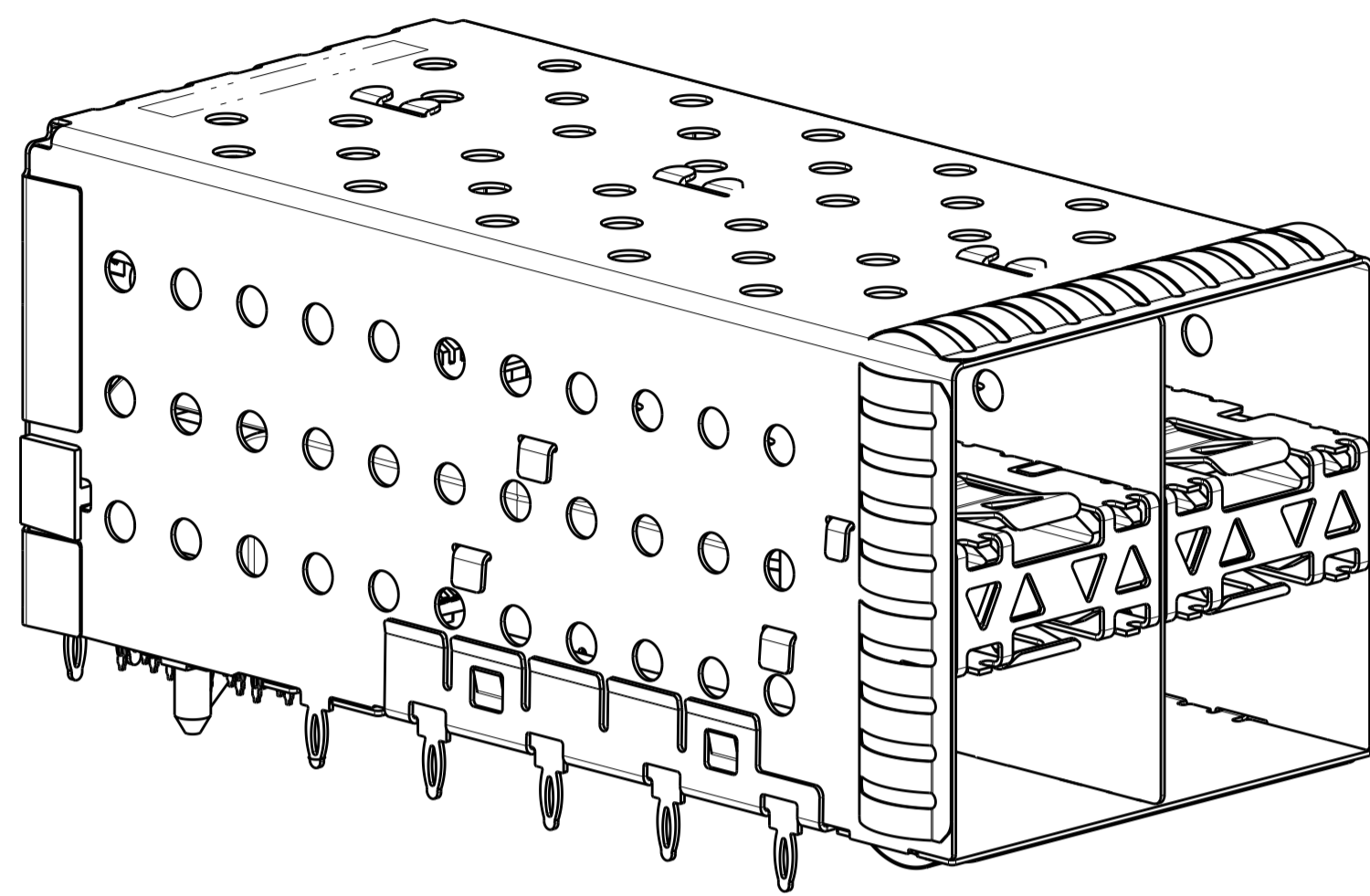
PRODUCT SPEC: 108-2331
 APPLICATION SPEC: 114-13219

SIZE: A1
 CAGE CODE: 00779
 DRAWING NO: 2007637

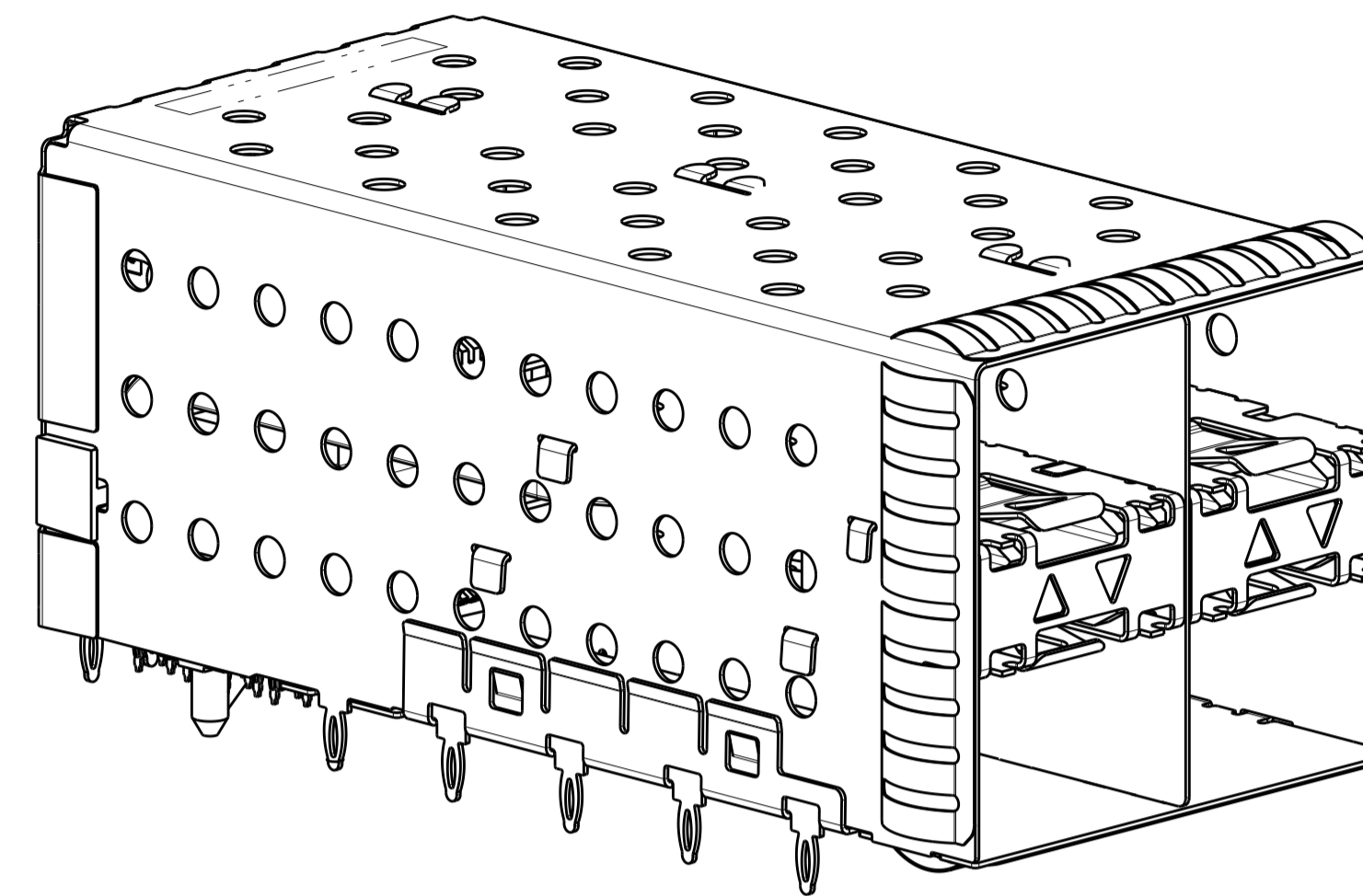
RESTRICTED TO: -

CUSTOMER DRAWING SCALE: 4:1 SHEET 1 OF 4 REV D

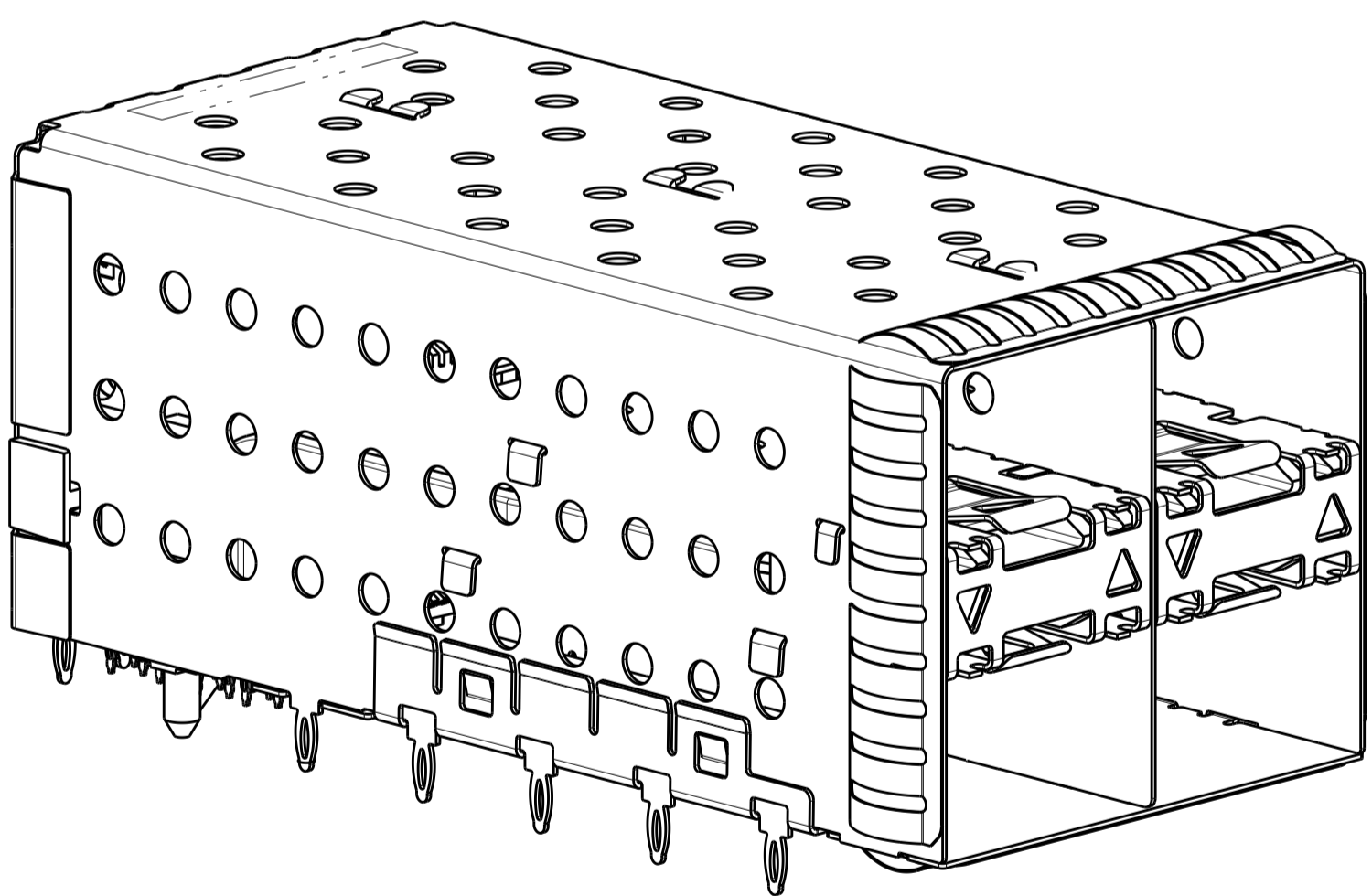
| LOC | | DIST | | REVISIONS | | | |
|-----|-----|-------------|------|-----------|------|--|--|
| P | LTN | DESCRIPTION | DATE | DMN | APVD | | |
| - | - | SEE SHEET 1 | - | - | - | | |
| | | | | | | | |
| | | | | | | | |



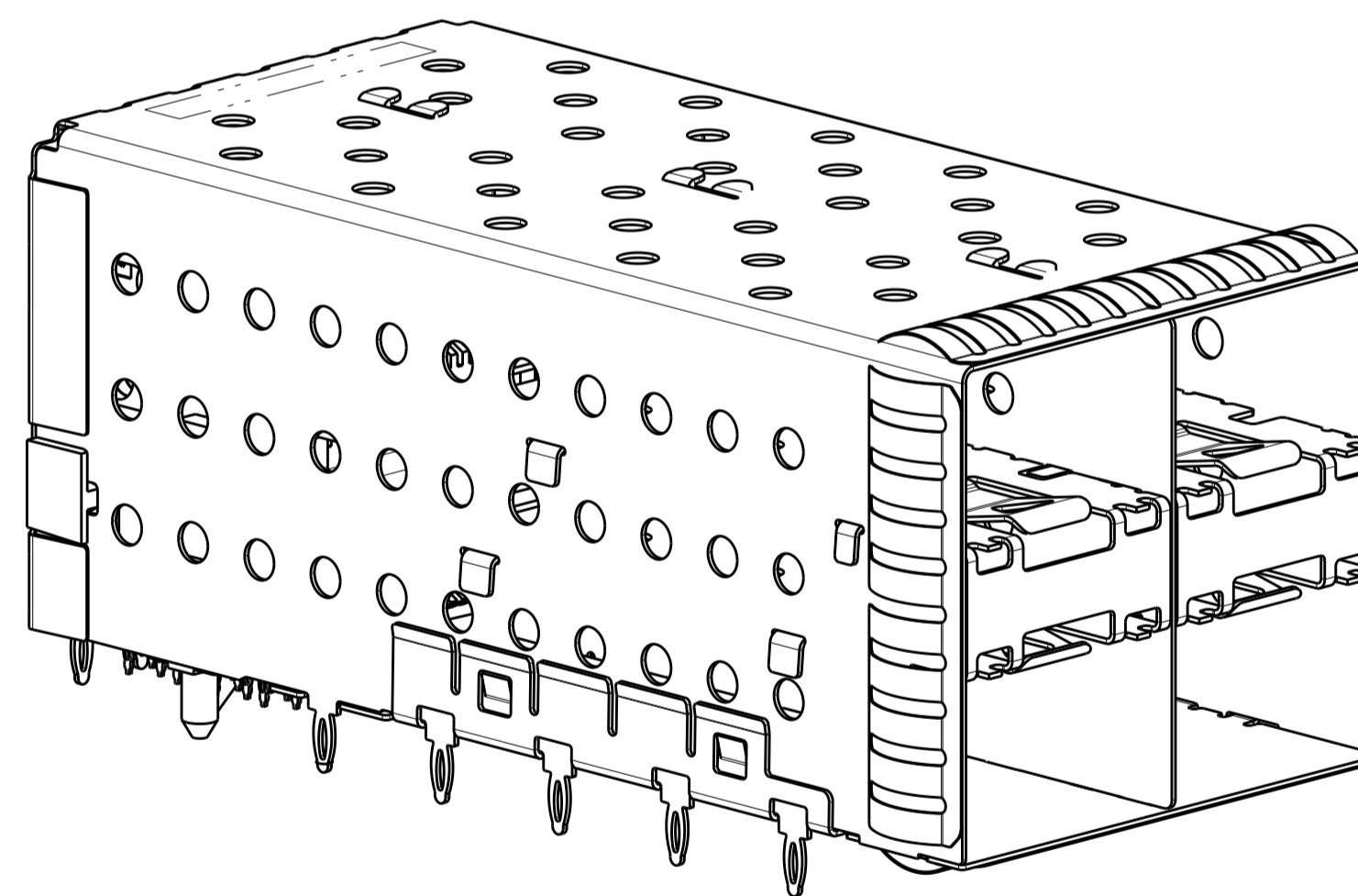
2007637-5 AND 1-2007637-5
 SCALE 3:1



2007637-6 AND 1-2007637-6
 SCALE 3:1



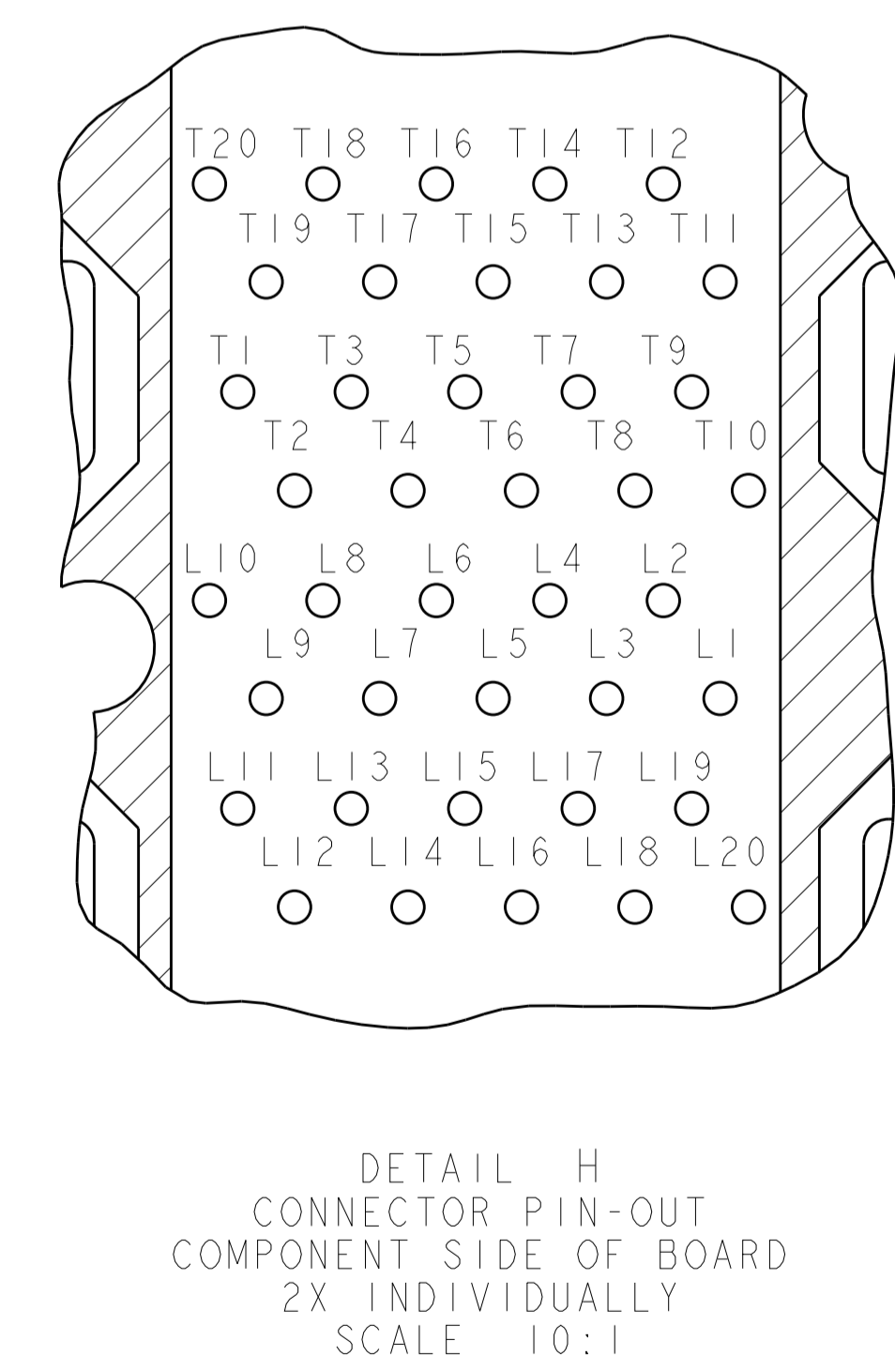
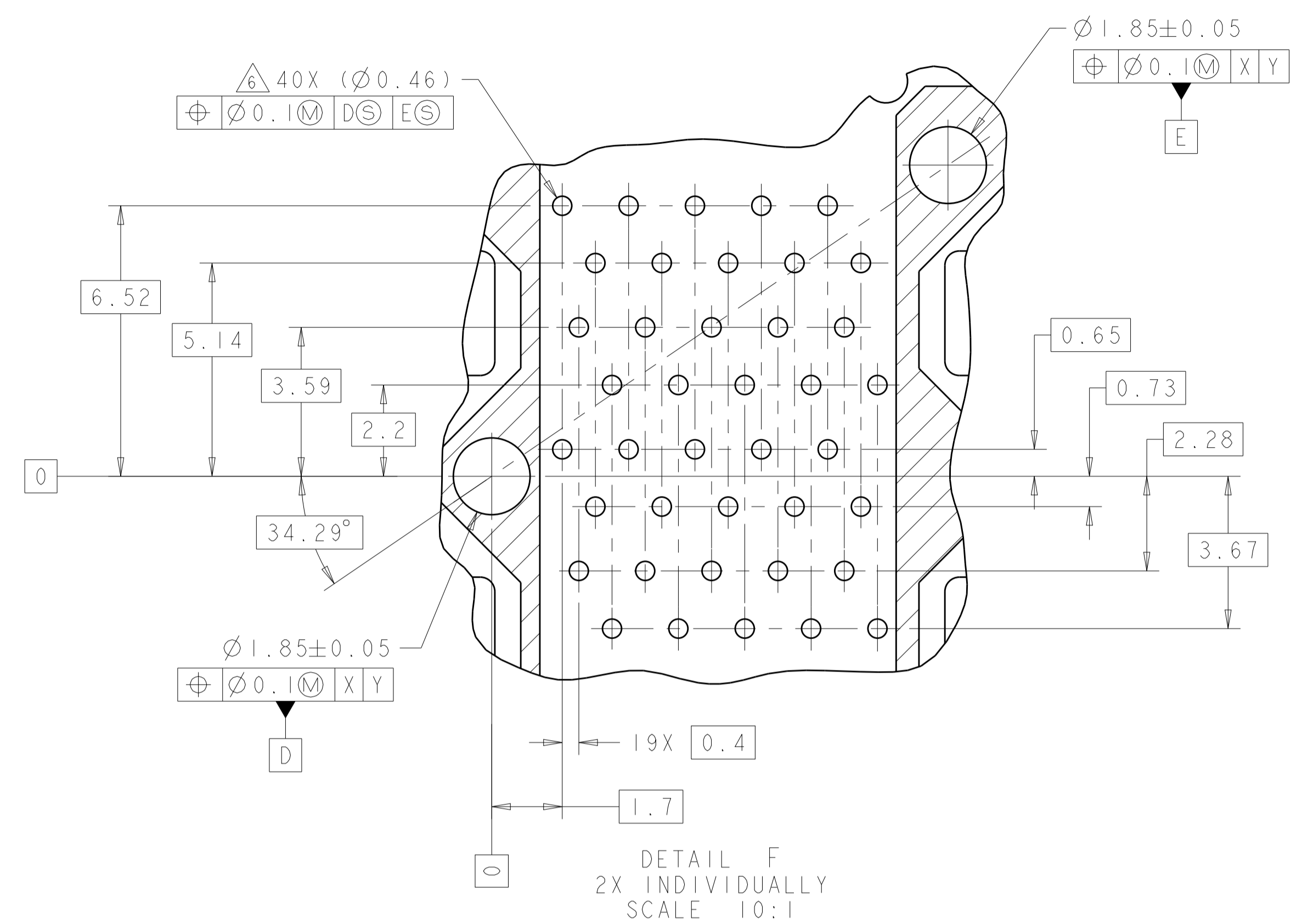
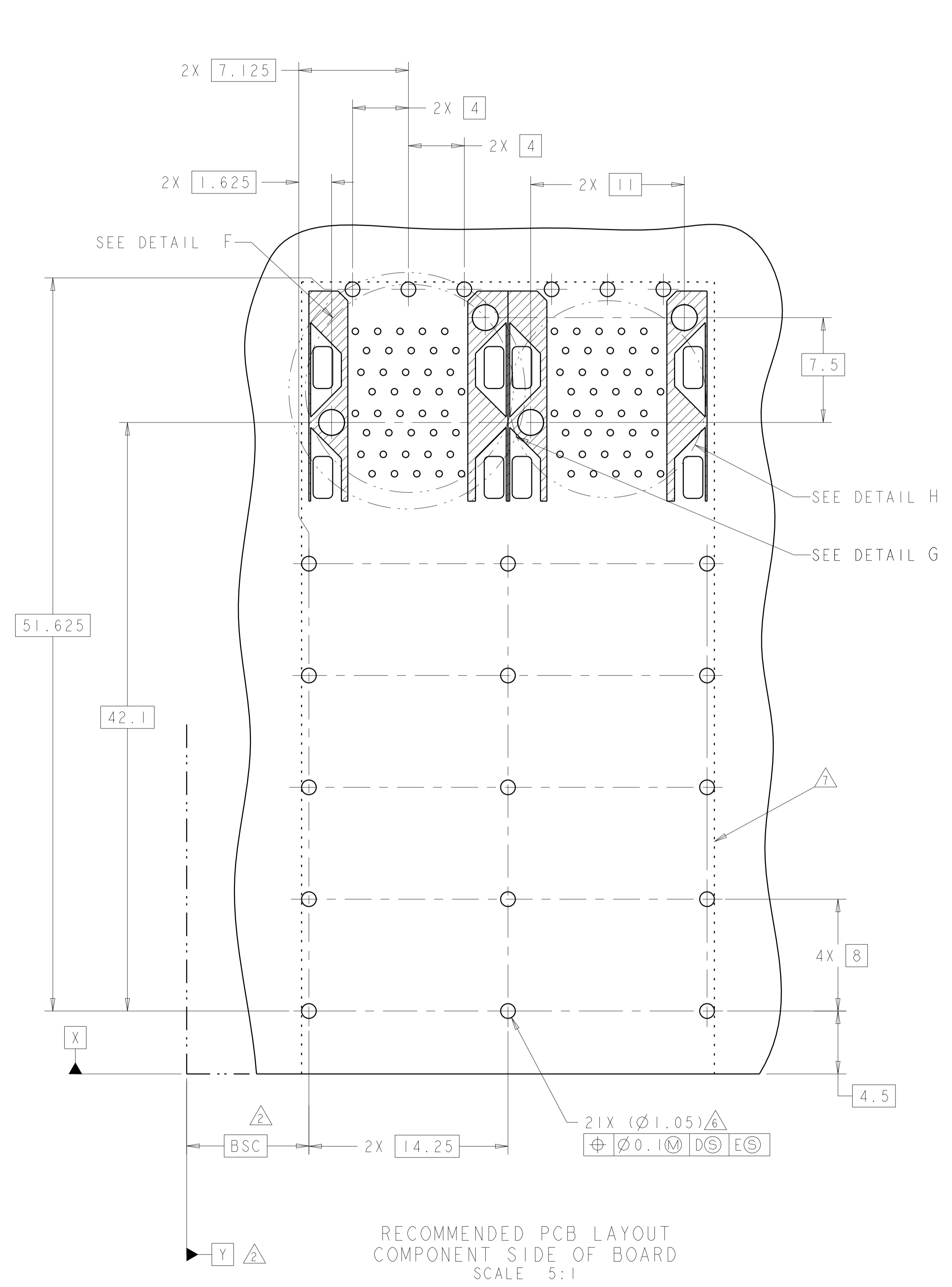
2007637-7 AND 1-2007637-7
 SCALE 3:1



2007637-8 AND 1-2007637-8
 SCALE 3:1

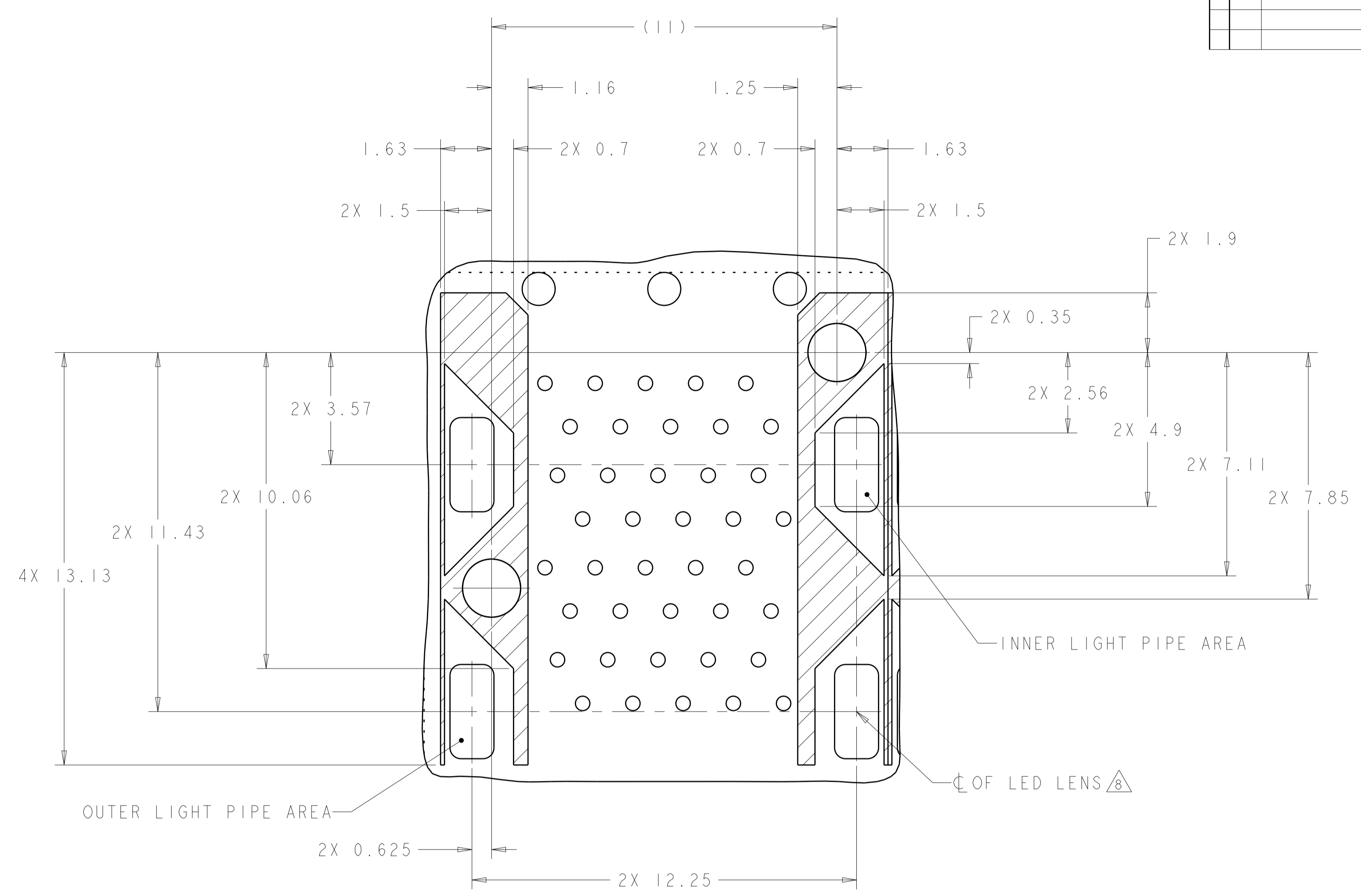
| | | | |
|--|--|-----------------------------|--|
| THIS DRAWING IS A CONTROLLED DOCUMENT. DIMENSIONING AND TOLERANCING PER ASME Y14.5M-2009. | | DMN: M. SHIRK 23JAN2008 | TE Connectivity |
| DIMENSIONS: mm | | CHK: D. SZCZESNY 23JAN2008 | |
| DIMENSIONS: mm TOLERANCES UNLESS OTHERWISE SPECIFIED: 0 PLC ±0.10 1 PLC ±0.10 2 PLC ±0.10 3 PLC ±0.10 4 PLC ±0.10 ANGLES ±° FINISH | | APVD: D. SZCZESNY 23JAN2008 | NAME: CAGE AND PT CONNECTOR ASSEMBLY, WITH EMI SPRINGS, PRESS FIT, 2X2, STACKED SFP+ |
| MATERIAL: | | PRODUCT SPEC: 108-2331 | SIZE: A100779 |
| | | APPLICATION SPEC: 114-13219 | DRAWING NO: C=2007637 |
| | | WEIGHT: | RESTRICTED TO: |
| | | CUSTOMER DRAWING | SCALE: 4:1 SHEET 2 OF 4 REV D |

| LOC | | DIST | | REVISIONS | | | |
|-----|----|------|-----|-------------|------|-----|------|
| GP | 00 | P | LTN | DESCRIPTION | DATE | DMN | APVD |
| | | - | | SEE SHEET 1 | | | |

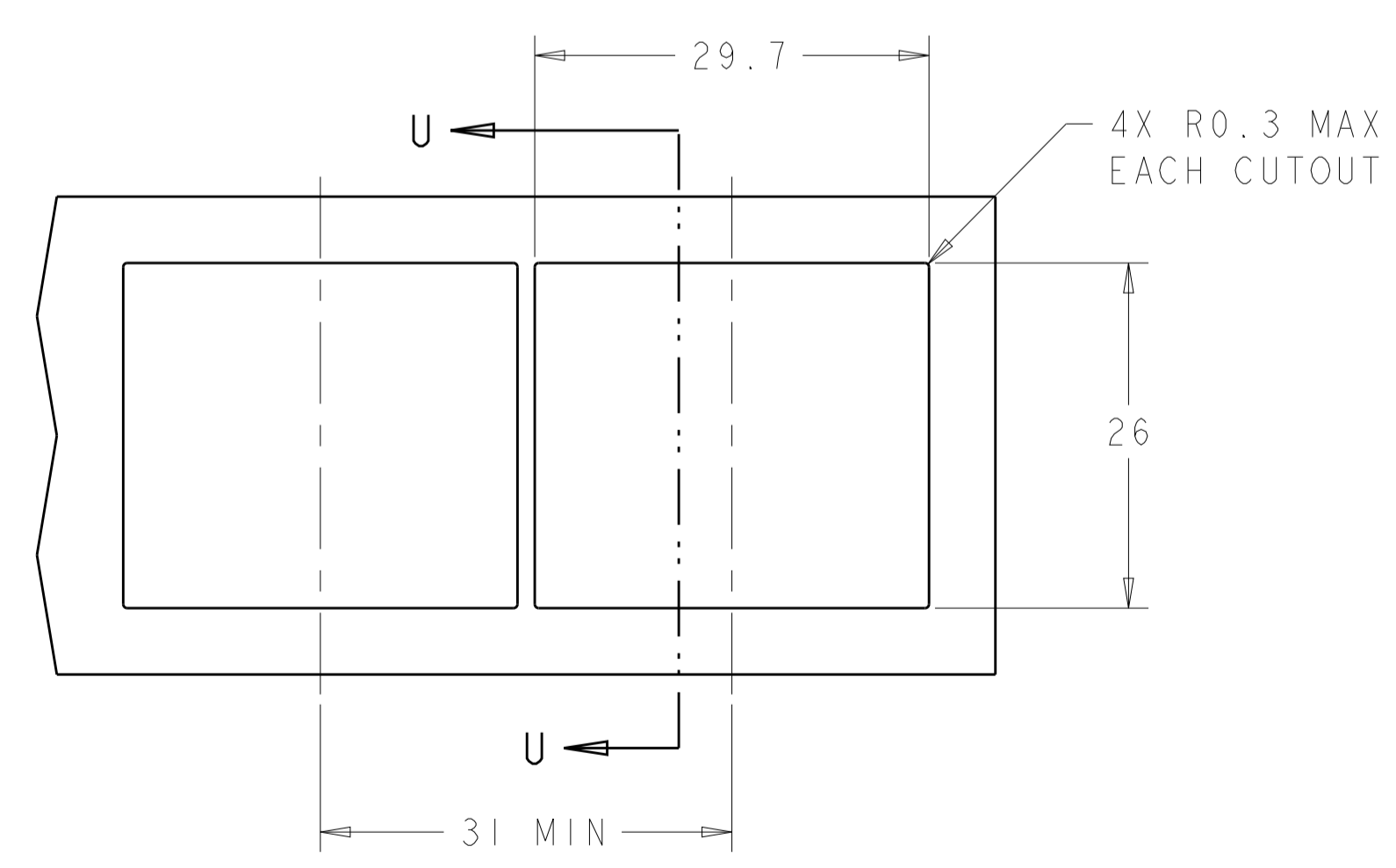


| | | | |
|---|--|-----------------------------|--|
| THIS DRAWING IS A CONTROLLED DOCUMENT. DIMENSIONING AND TOLERANCING PER ASME Y14.5M-2009. | | DMN: M. SHIRK 23JAN2008 | TE Connectivity |
| DIMENSIONS: mm | | CHK: D. SZCZESNY 23JAN2008 | |
| TOLERANCES UNLESS OTHERWISE SPECIFIED: | | APVD: D. SZCZESNY 23JAN2008 | NAME: CAGE AND PT CONNECTOR ASSEMBLY, WITH EMI SPRINGS, PRESS FIT, 2X2, STACKED SFP+ |
| 0 PLC ±0.10 1 PLC ±0.10 2 PLC ±0.10 3 PLC ±0.10 4 PLC ±0.10 ANGLES ±° | | PRODUCT SPEC: 108-2331 | |
| MATERIAL: FINISH: * | | APPLICATION SPEC: 114-13219 | RESTRICTED TO: |
| | | WEIGHT: - | SIZE: A100779 |
| | | CUSTOMER DRAWING | SCALE: 4:1 SHEET 3 OF 4 REV D |

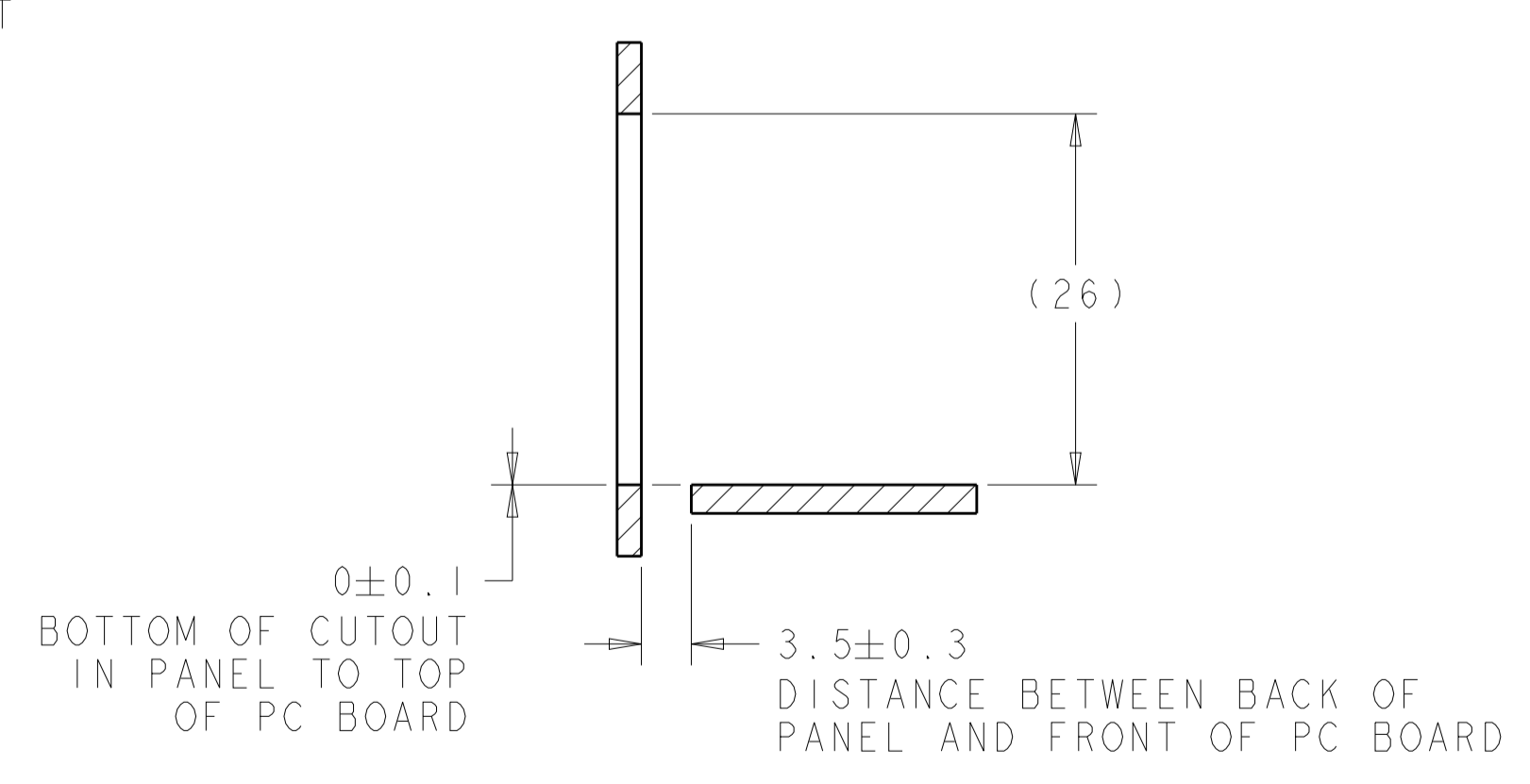
| LOC | DIST | REV | DATE | BY | APPV |
|-----------|------|-----|------|----|------|
| GP | 00 | | | | |
| REVISIONS | | | | | |
| | | | | | |
| | | | | | |
| | | | | | |
| | | | | | |
| | | | | | |
| | | | | | |
| | | | | | |



DETAIL G
 CONNECTOR HOUSING
 KEEPOUT ZONE
 2X INDIVIDUALLY
 SCALE 10:1



RECOMMENDED PANEL CUTOUT
 AND PC BOARD, PANEL POSITION
 SCALE 2:1



SECTION U-U

| | | | |
|--|--|-----------------------------|--|
| THIS DRAWING IS A CONTROLLED DOCUMENT. DIMENSIONING AND TOLERANCING PER ASME Y14.5M-2009 | | OWN: M. SHIRK 23JAN2008 | TE Connectivity |
| DIMENSIONS: mm | | CHK: D. SZCZESNY 23JAN2008 | |
| TOLERANCES UNLESS OTHERWISE SPECIFIED: | | APV: D. SZCZESNY 23JAN2008 | NAME: CAGE AND PT CONNECTOR ASSEMBLY, WITH EMI SPRINGS, PRESS FIT, 2X2, STACKED SFP+ |
| 0 PLC ±0.10 | | PRODUCT SPEC: 108-2331 | |
| 1 PLC ±0.10 | | APPLICATION SPEC: 114-13219 | SIZE: CAGE CODE DRAWING NO: A100779C=2007637 |
| 2 PLC ±0.10 | | WEIGHT: - | |
| 3 PLC ±0.10 | | CUSTOMER DRAWING | RESTRICTED TO: - |
| 4 PLC ± | | SCALE: 4:1 | SHEET: 4 OF 4 |
| ANGLES ±° | | | REV: D |
| FINISH: - | | | |



Компания «ЭлектроПласт» предлагает заключение долгосрочных отношений при поставках импортных электронных компонентов на взаимовыгодных условиях!

Наши преимущества:

- Оперативные поставки широкого спектра электронных компонентов отечественного и импортного производства напрямую от производителей и с крупнейших мировых складов;
- Поставка более 17-ти миллионов наименований электронных компонентов;
- Поставка сложных, дефицитных, либо снятых с производства позиций;
- Оперативные сроки поставки под заказ (от 5 рабочих дней);
- Экспресс доставка в любую точку России;
- Техническая поддержка проекта, помощь в подборе аналогов, поставка прототипов;
- Система менеджмента качества сертифицирована по Международному стандарту ISO 9001;
- Лицензия ФСБ на осуществление работ с использованием сведений, составляющих государственную тайну;
- Поставка специализированных компонентов (Xilinx, Altera, Analog Devices, Intersil, Interpoint, Microsemi, Aeroflex, Peregrine, Syfer, Eurofarad, Texas Instrument, Miteq, Cobham, E2V, MA-COM, Hittite, Mini-Circuits, General Dynamics и др.);

Помимо этого, одним из направлений компании «ЭлектроПласт» является направление «Источники питания». Мы предлагаем Вам помощь Конструкторского отдела:

- Подбор оптимального решения, техническое обоснование при выборе компонента;
- Подбор аналогов;
- Консультации по применению компонента;
- Поставка образцов и прототипов;
- Техническая поддержка проекта;
- Защита от снятия компонента с производства.



Как с нами связаться

Телефон: 8 (812) 309 58 32 (многоканальный)

Факс: 8 (812) 320-02-42

Электронная почта: org@eplast1.ru

Адрес: 198099, г. Санкт-Петербург, ул. Калинина, дом 2, корпус 4, литера А.