



FCIconnect.com

Copyright FCI.

1

2

List of "HFW__R-1/2STE1LF" customer document

| DOCUMENT NO. | LIST |
|--------------|--|
| SC-HFWR02 | SPEC. |
| JSA95923 | CAT.NO.TABLE FOR 1mm SPACING SMT CONNECTOR (HFW__R-1/2ST_LF) |
| JSA95924 | 1mm SPACING SURFACE MOUNT FPC/FFC CONNECTOR (HFW__R-1ST_LF) |
| JSA95925 | 1mm SPACING SURFACE MOUNT FPC/FFC CONNECTOR (HFW__R-2ST_LF) |
| JSA95926 | CAT.NO.TABLE FOR PLASTIC TAPE PACKAGED 1mm SPACING SMT CONN.(HFW__R-1/2STE1LF) |
| JSA95927 | 1mm SPACING SMT CONNECTOR (HFW__R-1STE1LF) |
| JSA95928 | 1mm SPACING SMT CONNECTOR (HFW__R-2STE1LF) |
| JSA93573 | RECOMMENDED CABLE (FPC) (HFW__R-1/2___) |
| JSA93574 | RECOMMENDED CABLE (FFC) (HFW__R-1/2___) |
| BJM-HFWR101 | HANDLING PROCEDURES |

| | | | | | | | | | | | | | |
|-------------|----------------|-----|----------|--|-----------------------------|--|--|----------------|-----------|---------------------|--------------------------|-------------------|--|
| mat'l. code | | | | surface ⁵⁸ ISO 1302 <input checked="" type="checkbox"/> | | tolerance ISO 406 ISO 1101 | | projection | | product family 58NF | | CODE JP | |
| ltr | ecn no | dr | date | tolerances unless otherwise specified | | | | mm | | title | | | |
| A | J05-0056 | H.T | '05/2/4 | angles | linear | 1mm SPACING FPC/FFC CONNECTOR DOCUMENT LIST (Cat. No. : HFW__R-1/2STE1LF) | | | | | | | |
| B | J06-0413 | H.T | 10/4/'06 | | | | | scale \times | | dwg no | | sheet 1 of 1 size | |
| | | | | dr | <i>H. Hatanaka</i> 10/24/06 | | | | JSA 96335 | | A4 | | |
| | | | | enr | <i>H. Hatanaka</i> 10/20/06 | | | | type | | Product Customer Drawing | | |
| | | | | chr | <i>J. Gino</i> 10/22/06 | | | | | | | | |
| | | | | app | <i>S. Hatanaka</i> 10/22/06 | | | | | | | | |
| sheet index | revision sheet | B | 1 | | | | | | | | | Rev. B | |

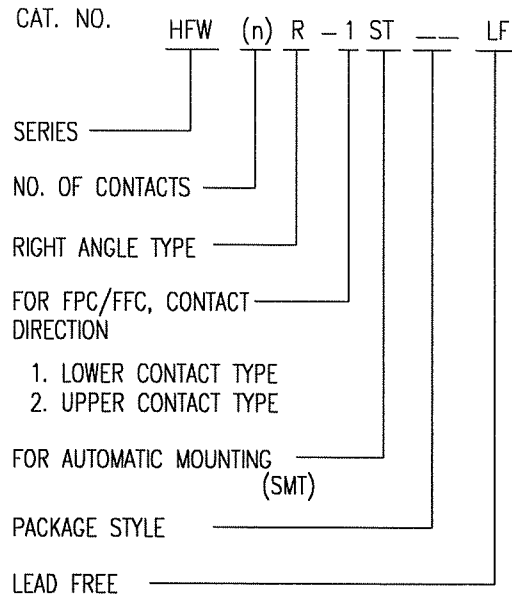
form: A4

1

2

CAT. NO. & DIMENSIONS

| (NOTE3) | NO. OF CONTACTS (n) | CAT. NO. | DIMENSIONS (NOTE2) | | |
|---------|---------------------|------------------|--------------------|---------|---------|
| | | | A ± 0.2 | B ± 0.2 | C ± 0.1 |
| | 4 | HFW4R-1/2ST__LF | 6.6 | 3 | 5.14 |
| | 5 | HFW5R-1/2ST__LF | 7.6 | 4 | 6.14 |
| | 6 | HFW6R-1/2ST__LF | 8.6 | 5 | 7.14 |
| | 7 | HFW7R-1/2ST__LF | 9.6 | 6 | 8.14 |
| | 8 | HFW8R-1/2ST__LF | 10.6 | 7 | 9.14 |
| | 9 | HFW9R-1/2ST__LF | 11.6 | 8 | 10.14 |
| | 10 | HFW10R-1/2ST__LF | 12.6 | 9 | 11.14 |
| | 11 | HFW11R-1/2ST__LF | 13.6 | 10 | 12.14 |
| | 12 | HFW12R-1/2ST__LF | 14.6 | 11 | 13.14 |
| | 13 | HFW13R-1/2ST__LF | 15.6 | 12 | 14.14 |
| | 14 | HFW14R-1/2ST__LF | 16.6 | 13 | 15.14 |
| | 15 | HFW15R-1/2ST__LF | 17.6 | 14 | 16.14 |
| | 16 | HFW16R-1/2ST__LF | 18.6 | 15 | 17.14 |
| | 17 | HFW17R-1/2ST__LF | 19.6 | 16 | 18.14 |
| | 18 | HFW18R-1/2ST__LF | 20.6 | 17 | 19.14 |
| | 19 | HFW19R-1/2ST__LF | 21.6 | 18 | 20.14 |
| | 20 | HFW20R-1/2ST__LF | 22.6 | 19 | 21.14 |
| | 21 | HFW21R-1/2ST__LF | 23.6 | 20 | 22.14 |
| | 22 | HFW22R-1/2ST__LF | 24.6 | 21 | 23.14 |
| | 23 | HFW23R-1/2ST__LF | 25.6 | 22 | 24.14 |
| | 24 | HFW24R-1/2ST__LF | 26.6 | 23 | 25.14 |
| | 25 | HFW25R-1/2ST__LF | 27.6 | 24 | 26.14 |
| | 26 | HFW26R-1/2ST__LF | 28.6 | 25 | 27.14 |
| | 27 | HFW27R-1/2ST__LF | 29.6 | 26 | 28.14 |
| * | 28 | HFW28R-1/2ST__LF | 30.6 | 27 | 29.14 |
| * | 29 | HFW29R-1/2ST__LF | 31.6 | 28 | 30.14 |
| | 30 | HFW30R-1/2ST__LF | 32.6 | 29 | 31.14 |



NOTES

1. THIS PRODUCT IS THE CONNECTOR DESIGNED TO TERMINATE FPC/FFC AND COPE WITH AUTOMATIC MOUNTING (SMT).
2. SEE PART DRAWINGS FOR DIMENSIONS A~C.
3. PLEASE CONSULT US IN CASE OF USING PARTS WITH * MARK.

| | | | | | | | | | |
|-------------|----------|-----|----------|--|----------------------------|----------------|--|---------|--------|
| mat'l. code | | | | surface ⁵⁸ / ISO 1302 ✓ | tolerance ISO 406 ISO 1101 | projection | product family 58NF | CODE JP | |
| ltr | ecn no | dr | date | tolerances, unless otherwise specified | | mm | title | | |
| A | J04-0027 | H.T | 4/6/'04 | angles | linear | | CAT. NO. TABLE FOR 1mm SPACING SMT CONNECTOR (Cat. No. HFW__R-1/2ST__LF) | | |
| B | J05-0056 | H.T | 2/4/'05 | | | | | | |
| C | J06-0413 | H.T | 10/4/'06 | | | scale \times | dwg no sheet 1 of 1 size | | |
| | | | | dr <i>H. Hatanaka 10/14/06</i> | | | JSA 95923 A4 | | |
| | | | | enrg <i>H. Hatanaka 10/14/06</i> | | | type Product Customer Drawing | | |
| | | | | chr <i>S. Madao 10/12/06</i> | | | | | |
| | | | | appd <i>S. Madao 10/12/06</i> | | | | | |
| sheet index | revision | C | 1 | | | | | | Rev. C |

SC-HFWR02 JSA95924 95925 95926 95927 95928 93573 93574, 1



FCIconnect.com

Copyright FCI.

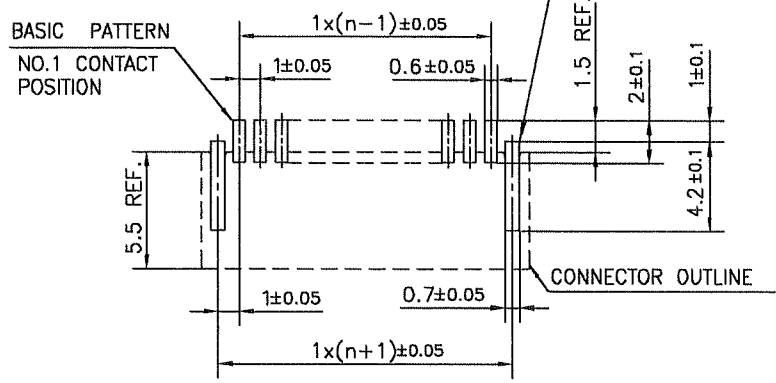


| PT. NO. | PARTS NAME | MATERIAL | Q'TY | NOTE |
|---------|----------------|---------------------------------------|------|-------------|
| 1 | HOUSING | PA6T RESIN GLASS REINFORCED (UL94V-0) | 1 | COLOR:BLACK |
| 2 | CONTACT | PHOSPHOR BRONZE | n | PLATING:TIN |
| 3 | MOUNTING PLATE | | 2 | (LEAD FREE) |

n : NO. OF CONTACTS

RECOMMENDED PC BOARD LAYOUT (COMPONENT SIDE)

BASIC PATTERN NO.1 CONTACT POSITION



NOTES

1. THIS PRODUCT IS THE CONNECTOR DESIGNED TO TERMINATE FPC/FFC AND COPES WITH AUTOMATIC MOUNTING (SMT).
2. FLATNESS OF CONTACT TERMINAL FOR HOUSING MUST BE WITHIN TOLERANCE IN Z PORTION DETAILED DRAWING.
3. THIS PRODUCT IS LOWER CONTACT TYPE CONNECTOR.
4. THIS PRODUCT MEETS EUROPEAN UNION DIRECTIVES AND OTHER COUNTRY REGULATIONS AS DESCRIBED IN GS-22-008
5. THE HOUSING WILL WITHSTAND EXPOSURE TO 260°C PEAK TEMPERATURE FOR 10 SECONDS IN A REFLOW SOLDERING OVEN.

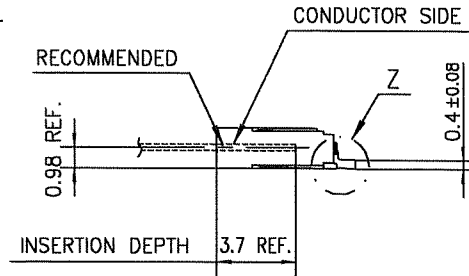
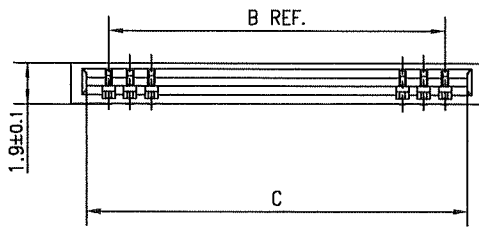
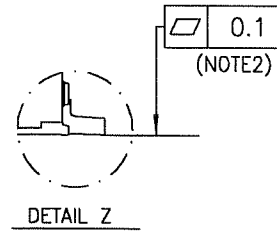
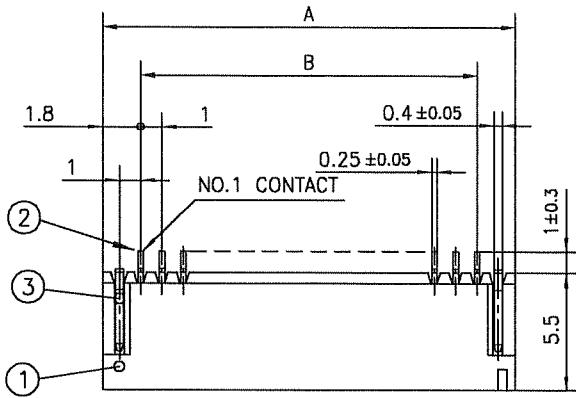
| | | | | | | | | |
|-------------|----------------|-----|----------|---------------------------------------|------------------------------|------------|--|---------|
| mat'l. code | | | | surface 58 / ISO 1302 ✓ | tolerance ISO 406 / ISO 1101 | projection | product family 58NF | CODE JP |
| ltr | ecn no | dr | date | tolerances unless otherwise specified | | mm | title | |
| A | J04-0027 | H.T | 4/6/04 | angles | linear ±0.2 | | 1mm SPACING SURFACE MOUNT FPC/FFC CONNECTOR (Cat.No. HFW__R-1ST__LF) | |
| B | J05-0056 | H.T | 2/4/05 | | | scale | dwg no sheet 1 of 1 size | |
| C | J05-0732 | H.T | 10/28/05 | | | | JSA 95924 A4 | |
| D | J06-0413 | H.T | 10/4/06 | dr | 10/14/06 | | type Product Customer Drawing | |
| | | | | enrg | 10/14/06 | | | |
| | | | | chr | 10/14/06 | | | |
| | | | | appd | 10/14/06 | | | |
| sheet index | revision sheet | D | 1 | | | | | Rev. D |

SC-HFWR02 JSA95923 form: A4



FCIconnect.com

Copyright FCI.

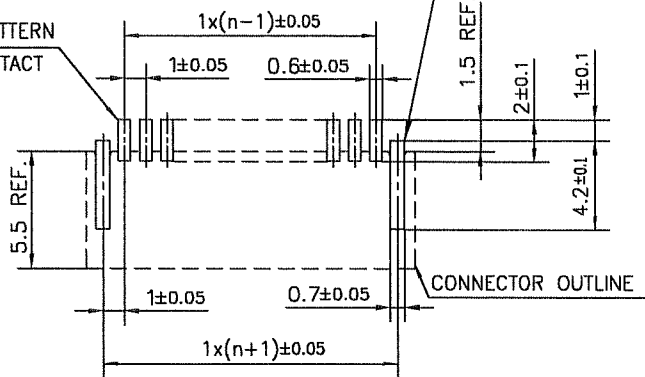


| PT. NO. | PARTS NAME | MATERIAL | Q'TY | NOTE |
|---------|----------------|---------------------------------------|------|-------------|
| 1 | HOUSING | PA6T RESIN GLASS REINFORCED (UL94V-0) | 1 | COLOR:BLACK |
| 2 | CONTACT | PHOSPHOR BRONZE | n | PLATING:TIN |
| 3 | MOUNTING PLATE | | 2 | (LEAD FREE) |

n : NO. OF CONTACTS

RECOMMENDED PC BOARD LAYOUT (COMPONENT SIDE)

BASIC PATTERN NO.1 CONTACT POSITION



NOTES

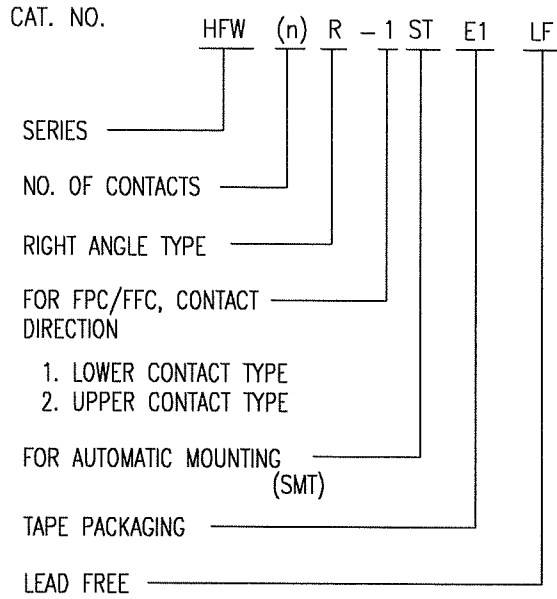
1. THIS PRODUCT IS THE CONNECTOR DESIGNED TO TERMINATE FPC/FFC AND COPES WITH AUTOMATIC MOUNTING (SMT).
2. FLATNESS OF CONTACT TERMINAL FOR HOUSING MUST BE WITHIN TOLERANCE IN Z PORTION DETAILED DRAWING.
3. THIS PRODUCT IS UPPER CONTACT TYPE CONNECTOR.
4. THIS PRODUCT MEETS EUROPEAN UNION DIRECTIVES AND OTHER COUNTRY REGULATIONS AS DESCRIBED IN GS-22-008
5. THE HOUSING WILL WITHSTAND EXPOSURE TO 260°C PEAK TEMPERATURE FOR 10 SECONDS IN A REFLOW SOLDERING OVEN.

| | | | | | | | | | | |
|-------------|----------------|-----|-----------|---------------------------------------|--------------------|---------|----------|-------------------------------|--|---------|
| mat'l. code | | | | surface 58 | tolerance ISO 1302 | ISO 406 | ISO 1101 | projection | product family 58NF | CODE JP |
| ltr | ecn no | dr | date | tolerances unless otherwise specified | | | mm | scale X | title | |
| A | J04-0027 | H.T | 4/6/'04 | angles | linear | ±0.2 | | | 1mm SPACING SURFACE MOUNT FPC/FFC CONNECTOR (Cat. No. HFWR_R-2ST_LF) | |
| B | J05-0056 | H.T | 2/4/'05 | | | | | dwg no | | |
| C | J05-0732 | H.T | 10/28/'05 | | | | | sheet 1 of 1 | | |
| D | J06-0413 | H.T | 10/4/'06 | dr | | | | size A4 | | |
| | | | | enrg | | | | JSA 95925 | | |
| | | | | chr | | | | type Product Customer Drawing | | |
| | | | | appd | | | | | | |
| sheet index | revision sheet | D | 1 | | | | | | Rev. D | |

SC-HFWR02 JSA95923 form: A4

CAT. NO. & DIMENSIONS

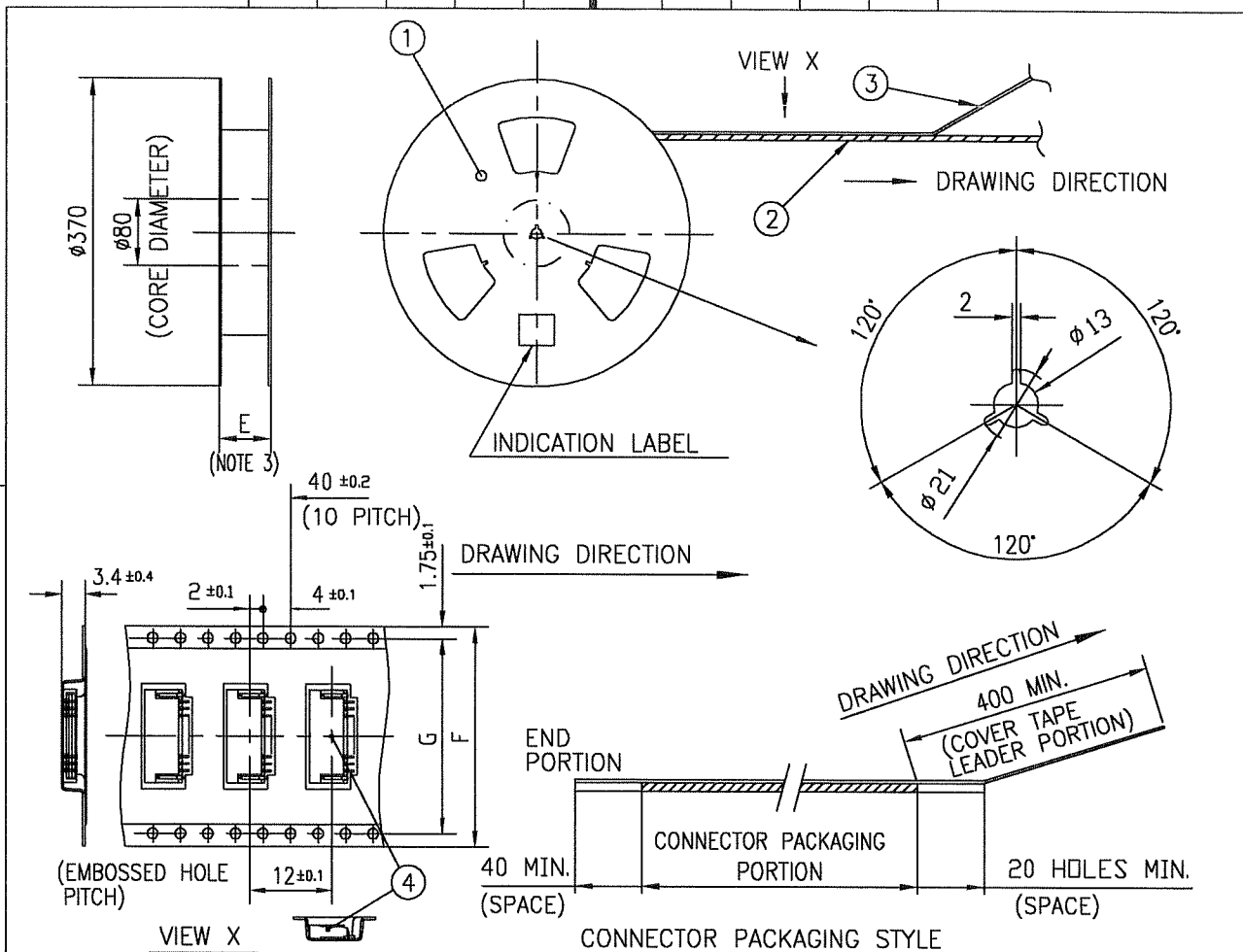
| (NOTE4) | NO. OF CONTACTS (n) | CAT. NO. (NOTE2) | DIMENSIONS (NOTE3) | | |
|---------|---------------------|------------------|--------------------|---------|---------|
| | | | E ± 5 | F ± 0.3 | G ± 0.1 |
| | 4 | HFW4R-1/2STE1LF | 28.4 | 24 | — |
| | 5 | HFW5R-1/2STE1LF | 28.4 | 24 | — |
| | 6 | HFW6R-1/2STE1LF | 28.4 | 24 | — |
| | 7 | HFW7R-1/2STE1LF | 28.4 | 24 | — |
| | 8 | HFW8R-1/2STE1LF | 28.4 | 24 | — |
| | 9 | HFW9R-1/2STE1LF | 28.4 | 24 | — |
| | 10 | HFW10R-1/2STE1LF | 28.4 | 24 | — |
| | 11 | HFW11R-1/2STE1LF | 28.4 | 24 | — |
| | 12 | HFW12R-1/2STE1LF | 28.4 | 24 | — |
| | 13 | HFW13R-1/2STE1LF | 28.4 | 24 | — |
| | 14 | HFW14R-1/2STE1LF | 28.4 | 24 | — |
| | 15 | HFW15R-1/2STE1LF | 36.4 | 32 | 28.4 |
| | 16 | HFW16R-1/2STE1LF | 36.4 | 32 | 28.4 |
| | 17 | HFW17R-1/2STE1LF | 36.4 | 32 | 28.4 |
| | 18 | HFW18R-1/2STE1LF | 36.4 | 32 | 28.4 |
| | 19 | HFW19R-1/2STE1LF | 48.4 | 44 | 40.4 |
| | 20 | HFW20R-1/2STE1LF | 48.4 | 44 | 40.4 |
| | 21 | HFW21R-1/2STE1LF | 48.4 | 44 | 40.4 |
| | 22 | HFW22R-1/2STE1LF | 48.4 | 44 | 40.4 |
| | 23 | HFW23R-1/2STE1LF | 48.4 | 44 | 40.4 |
| | 24 | HFW24R-1/2STE1LF | 48.4 | 44 | 40.4 |
| | 25 | HFW25R-1/2STE1LF | 48.4 | 44 | 40.4 |
| | 26 | HFW26R-1/2STE1LF | 48.4 | 44 | 40.4 |
| | 27 | HFW27R-1/2STE1LF | 48.4 | 44 | 40.4 |
| * | 28 | HFW28R-1/2STE1LF | 48.4 | 44 | 40.4 |
| * | 29 | HFW29R-1/2STE1LF | 48.4 | 44 | 40.4 |
| | 30 | HFW30R-1/2STE1LF | 60.4 | 56 | 52.4 |



NOTES

1. THIS PRODUCT IS THE CONNECTOR DESIGNED TO TERMINATE FPC/FFC AND COPE WITH AUTOMATIC MOUNTING (SMT).
2. THIS CATALOG NO. INDICATES PLASTIC TAPE PACKAGED CONNECTOR.
3. SEE PART DRAWINGS FOR DIMENSIONS E~G.
4. PLEASE CONSULT US IN CASE OF USING PARTS WITH * MARK.

| | | | | | | | | | | | | | |
|-------------|--|------------|--|-------------------------|--|------------------------------|--|------------|--|---------------------------------------|--|---|--|
| mat'l. code | | | | surface 58 / ISO 1302 ✓ | | tolerance ISO 406 / ISO 1101 | | projection | | product family 58NF | | CODE JP | |
| ltr | | | | ecn no | | dr | | date | | tolerances unless otherwise specified | | title | |
| A | | | | J04-0027 | | H.T | | 4/6/04 | | angles | | CAT. NO. TABLE FOR PLASTIC TAPE PACKAGED 1mm SPACING SMT CONN. (Cat.No. HFW__R-1/2STE1LF) | |
| B | | | | J05-0056 | | H.T | | 2/4/05 | | linear | | mm | |
| C | | | | J06-0413 | | H.T | | 10/4/06 | | scale X | | dwg no | |
| | | | | | | | | | | sheet 1 of 1 | | size | |
| | | | | | | | | | | JSA 95926 | | A4 | |
| | | | | | | | | | | type | | Product Customer Drawing | |
| sheet index | | revision C | | sheet 1 | | | | | | | | Rev. C | |



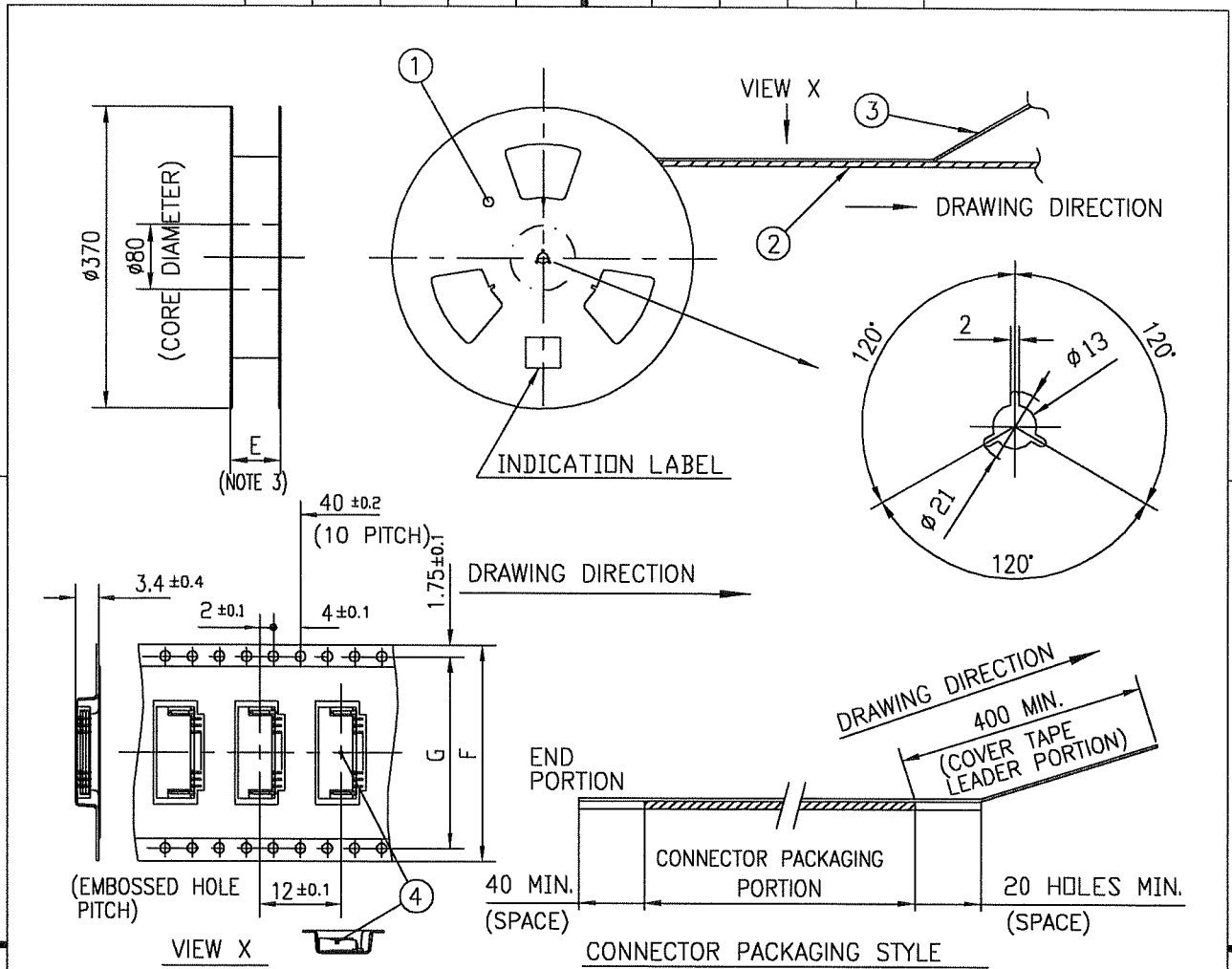
| PT. NO. | PARTS NAME | CAT. NO. | MATERIAL | Q'TY | NOTE |
|---------|------------------------|----------------|-------------------|------|--------------------|
| 1 | REEL | — | CARDBOARD | 1 | COLOR:WHITE |
| 2 | PLASTIC (EMBOSSD) TAPE | — | PET | — | COLOR:TRANSPARENCY |
| 3 | COVER | — | POLYESTER | — | COLOR:TRANSPARENCY |
| 4 | CONNECTOR | HFW__R-1ST__LF | SEE ATTACHED DWG. | 2000 | LOWER CONTACT TYPE |

NOTES

1. THIS IS PLASTIC TAPE PACKAGED CONNECTOR DESIGNED TO TERMINATE FPC/FFC AND COPES WITH AUTOMATIC MOUNTING (SMT).
2. SEE JIS C 0806 (PACKING OF ELECTRONIC COMPONENTS ON CONTINUOUS TAPES (SURFACE MOUNTING DEVICES)) FOR SHAPE AND DIMENSIONS OF PLASTIC (EMBOSSD) TAPE AND REEL.
3. E DIMENSION IS PORTION OF THE CORE.

| | | | | | | | | | |
|-------------|--|--|--|------------|--|---------------------|--|--|--|
| mat'l. code | | surface 58 / tolerance ISO 1302 ✓ / ISO 406 / ISO 1101 | | projection | | product family 58NF | | CODE JP | |
| ltr | | ecn no | | dr | | date | | tolerances unless otherwise specified | |
| A | | J04-0027 | | H.T. | | 4/6/04 | | ±5 | |
| B | | J05-0056 | | H.T. | | 2/4/05 | | angles linear | |
| C | | J06-0413 | | H.T. | | 10/4/06 | | ±5' | |
| | | | | dr | | 10/16/06 | | | |
| | | | | enrg | | 10/16/06 | | | |
| | | | | chr | | 10/12/06 | | | |
| | | | | appd | | 10/12/06 | | | |
| sheet index | | revision sheet | | C | | 1 | | title 1mm SPACING SMT CONNECTOR (Cat.No. HFW__R-1STE1LF) | |
| | | | | | | | | dwg no sheet 1 of 1 size JSA 95927 A4 | |
| | | | | | | | | type Product Customer Drawing | |

SC-HFWR02 JSA95926
form: A4



| PT. NO. | PARTS NAME | CAT. NO. | MATERIAL | Q'TY | NOTE |
|---------|------------------------|-----------------|-------------------|------|--------------------|
| 1 | REEL | --- | CARDBOARD | 1 | COLOR:WHITE |
| 2 | PLASTIC (EMBOSSD) TAPE | --- | PET | --- | COLOR:TRANSPARENCY |
| 3 | COVER | --- | POLYESTER | --- | COLOR:TRANSPARENCY |
| 4 | CONNECTOR | HFW__R-2ST__-LF | SEE ATTACHED DWG. | 2000 | UPPER CONTACT TYPE |

NOTES

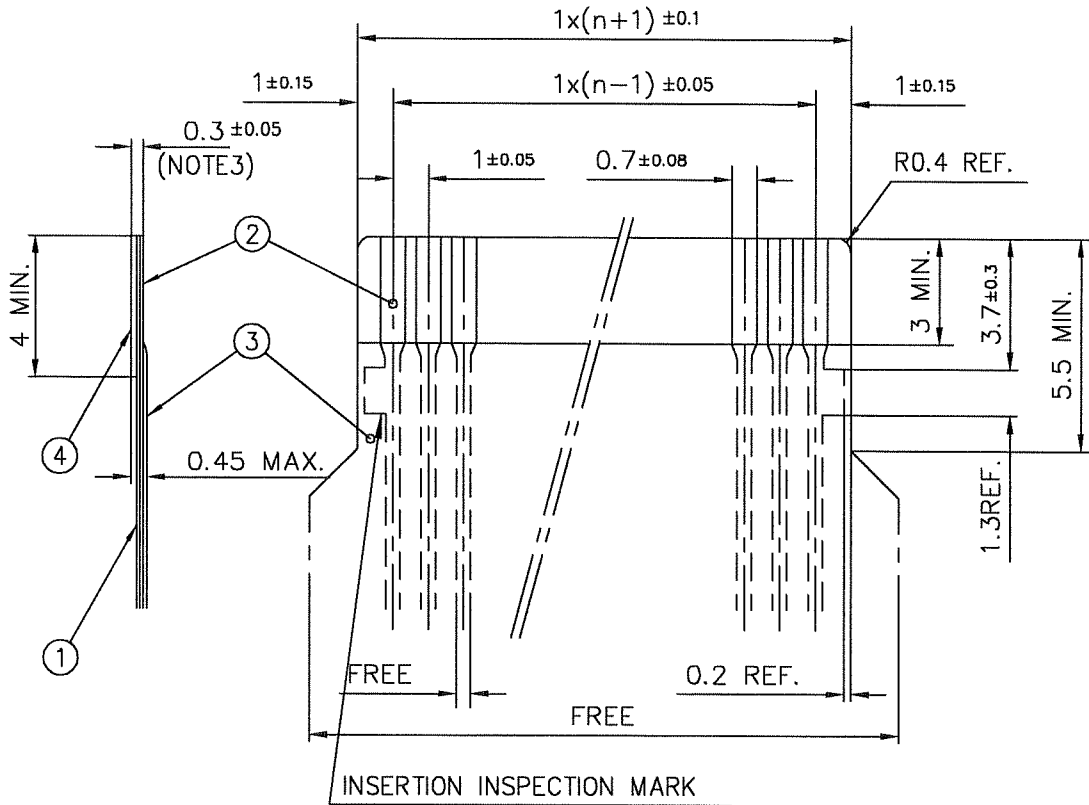
1. THIS IS PLASTIC TAPE PACKAGED CONNECTOR DESIGNED TO TERMINATE FPC/FFC AND COPES WITH AUTOMATIC MOUNTING (SMT).
2. SEE JIS C 0806 (PACKING OF ELECTRONIC COMPONENTS ON CONTINUOUS TAPES (SURFACE MOUNTING DEVICES)) FOR SHAPE AND DIMENSIONS OF PLASTIC (EMBOSSD) TAPE AND REEL.
3. E DIMENSION IS PORTION OF THE CORE.

| | | | | | | | | | | | |
|-------------|----------|-------------------------|----------|---------------------------------------|--------|------------|--|---------------------------|--|--------------------------|--------|
| mat'l. code | | surface 58 / ISO 1302 ✓ | | tolerance ISO 406 / ISO 1101 | | projection | | product family 58NF | | CODE JP | |
| ltr | ecn no | dr | date | tolerances unless otherwise specified | | mm | | title | | | |
| A | J04-0027 | H.T | 4/6/'04 | angles | linear | ±5 | | 1mm SPACING SMT CONNECTOR | | | |
| B | J05-0056 | H.T | 2/4/'05 | ±5' | | scale X | | (Cat.No. HFW__R-2STE1LF) | | | |
| C | J06-0413 | H.T | 10/4/'06 | | | | | dwg no | | sheet 1 of 1 | |
| | | | | dr | | FCI | | JSA 95928 | | size A4 | |
| | | | | enr | | | | type | | Product Customer Drawing | |
| | | | | chr | | | | | | | |
| | | | | app | | | | | | | |
| sheet index | revision | C | | | | | | | | | Rev. C |
| | sheet | 1 | | | | | | | | | |

SC-HFWR02 JSA95926 form: A4

RECOMMENDED CABLE (FPC)

n : NO. OF CONDUCTORS



| PT. NO. | DESCRIPTION | MATERIAL | THICKNESS (μm) |
|---------|-----------------|---|-----------------------------|
| 1 | BASE FILM | POLYIMIDE OR POLYESTER OR EQUIVALENT | 25 |
| 2 | CONDUCTOR | COPPER FOIL(PLATING : SOLDER $1\mu\text{m}$ MIN.) | 35 |
| 3 | OVERLAY | POLYIMIDE OR POLYESTER OR EQUIVALENT | — |
| 4 | SUPPORTING TAPE | POLYESTER OR POLYIMIDE OR EQUIVALENT | 188 |

NOTES

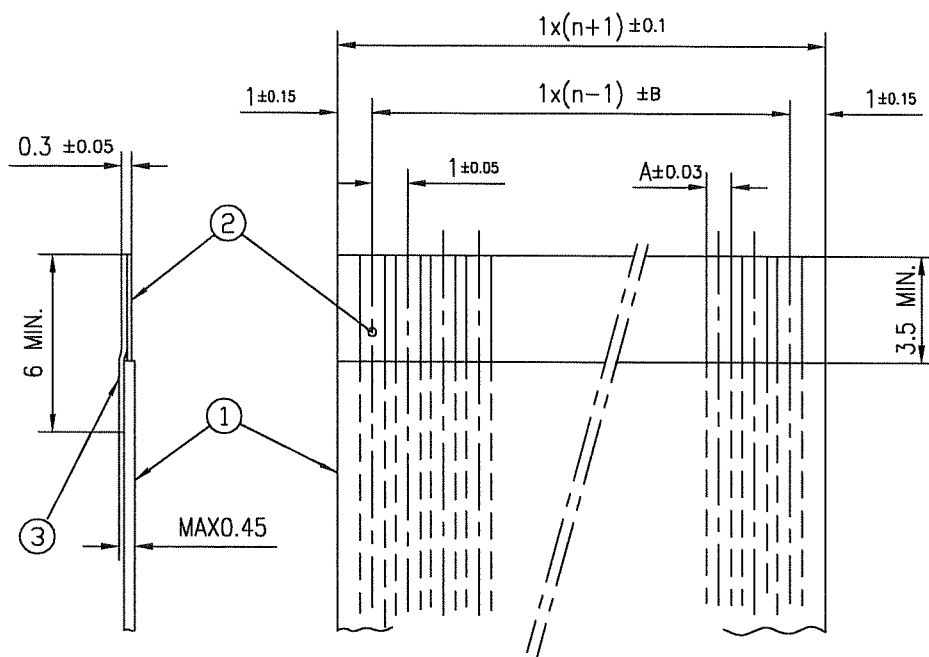
1. NO BURR AT EACH PORTION.
2. NO PEELING IN COMMON USE.
3. TOTAL THICKNESS LIMIT OF EACH MATERIAL (INCLUDING ADHESIVE AGENT) IS SPECIFIED.

| | | | | | | | | | | |
|-------------|----------------|--|----------------------------|---------------------------------------|--------|---------------------|--|--------------------------|--|--------|
| mat'l. code | | surface 58 / tolerance ISO 1302 ✓ / ISO 406 / ISO 1101 | | projection | | product family 58NF | | CODE JP | | |
| ltr | ecn no | dr | date | tolerances unless otherwise specified | | title | | | | |
| A | J06-0413 | H.T | 10/4/'06 | angles | linear | mm | | RECOMMENDED CABLE | | |
| | | | | | | scale \times | | (Cat. No. HFW__R-1/2__) | | |
| | | dr | <i>H. S. H. / 10/14/06</i> | | | dwg no | | sheet 1 of 1 | | |
| | | enr | <i>K. S. H. / 10/15/06</i> | | | JSA 93573 | | size A4 | | |
| | | chr | <i>J. B. / 10/12/06</i> | | | type | | Product Customer Drawing | | |
| | | app | <i>S. H. / 10/12/06</i> | | | | | | | |
| sheet index | revision sheet | A | 1 | | | | | | | Rev. A |

form: A4

RECOMMENDED CABLE (FFC)

n : NO. OF CONDUCTORS



| (NOTE 3) | DIMENSION A | TOLERANCE B |
|----------|-------------|-------------|
| 1 | 0.7 | 0.1 |
| 2 | 0.6 | 0.07 |

| PT. NO. | DESCRIPTION | MATERIAL | NOTE |
|---------|-----------------|---|------------------------------------|
| 1 | INSULATOR | FLAME RESISTING POLYESTER OR EQUIVALENT | _____ |
| 2 | CONDUCTOR | COPPER FOIL | PLATING: TIN OR SOLDER 1µm MIN. |
| 3 | SUPPORTING TAPE | FLAME RESISTING POLYESTER OR EQUIVALENT | _____ |

NOTES

1. NO BURR AT EACH PORTION.
2. NO PEELING IN COMMON USE.
3. BOTH COMBINATION IS ALLOWED.

| | | | | | | | | | | | |
|-------------|--|----------------|--|--|--|------------|--|---------------------|--|---------------------------------------|--|
| mat'l. code | | | | surface 58 / tolerance ISO 1302 ✓ / ISO 406 / ISO 1101 | | projection | | product family 58NF | | CODE JP | |
| ltr | | | | ecn no | | dr | | date | | tolerances unless otherwise specified | |
| 1 | | | | --- | | T.M | | 4/30/'02 | | angles linear | |
| A | | | | J06-0413 | | H.T | | 10/4/'06 | | mm | |
| | | | | | | | | | | scale X | |
| | | | | dr | | engr | | chr | | appd | |
| | | | | /10/12/06 | | /10/12/06 | | /10/12/06 | | /10/12/06 | |
| | | | | | | | | | | FCI | |
| | | | | | | | | | | title | |
| | | | | | | | | | | RECOMMENDED CABLE | |
| | | | | | | | | | | (Cat. No. HFW__R-1/2__) | |
| | | | | | | | | | | dwg no | |
| | | | | | | | | | | sheet 1 of 1 | |
| | | | | | | | | | | size A4 | |
| | | | | | | | | | | JSA 93574 | |
| | | | | | | | | | | type | |
| | | | | | | | | | | Product Customer Drawing | |
| sheet index | | revision sheet | | A | | 1 | | | | Rev. A | |



FCIconnect.com

Copyright FCI.



Компания «ЭлектроПласт» предлагает заключение долгосрочных отношений при поставках импортных электронных компонентов на взаимовыгодных условиях!

Наши преимущества:

- Оперативные поставки широкого спектра электронных компонентов отечественного и импортного производства напрямую от производителей и с крупнейших мировых складов;
- Поставка более 17-ти миллионов наименований электронных компонентов;
- Поставка сложных, дефицитных, либо снятых с производства позиций;
- Оперативные сроки поставки под заказ (от 5 рабочих дней);
- Экспресс доставка в любую точку России;
- Техническая поддержка проекта, помощь в подборе аналогов, поставка прототипов;
- Система менеджмента качества сертифицирована по Международному стандарту ISO 9001;
- Лицензия ФСБ на осуществление работ с использованием сведений, составляющих государственную тайну;
- Поставка специализированных компонентов (Xilinx, Altera, Analog Devices, Intersil, Interpoint, Microsemi, Aeroflex, Peregrine, Syfer, Eurofarad, Texas Instrument, Miteq, Cobham, E2V, MA-COM, Hittite, Mini-Circuits, General Dynamics и др.);

Помимо этого, одним из направлений компании «ЭлектроПласт» является направление «Источники питания». Мы предлагаем Вам помощь Конструкторского отдела:

- Подбор оптимального решения, техническое обоснование при выборе компонента;
- Подбор аналогов;
- Консультации по применению компонента;
- Поставка образцов и прототипов;
- Техническая поддержка проекта;
- Защита от снятия компонента с производства.



Как с нами связаться

Телефон: 8 (812) 309 58 32 (многоканальный)

Факс: 8 (812) 320-02-42

Электронная почта: org@eplast1.ru

Адрес: 198099, г. Санкт-Петербург, ул. Калинина, дом 2, корпус 4, литера А.