



LV77K Series 3.3 V LVDS Clock Oscillators

November 2018



- Pletronics' LV77K Series is a quartz crystal controlled precision square wave generator with LVDS output.
- Improved phase noise performance.
- Tape and Reel or cut tape packaging is available.
- 5 x 7 mm LCC Ceramic Package
- Enable/Disable Function on pad 1
- Disable function includes low standby power mode
- 3rd Overtone Crystals used
- Improved circuit to minimize oscillator issues such as multi-mode output signal.
- Lowest Jitter Product

*** BEST OPTION FOR LOW JITTER REQUIREMENTS
50 fS Jitter 12 KHz - 20 MHz @156.25 MHz**

**Pletronics Inc. certifies this device is in accordance with the
RoHS 6/6 (2011/65/EC) and WEEE (2002/96/EC) directives.**

Pletronics Inc. guarantees the device does not contain the following:

Cadmium, Hexavalent Chromium, Lead, Mercury, PBB's, PBDE's

Weight of the Device: 0.16 grams

Moisture Sensitivity Level: 1 As defined in J-STD-020D.1

Second Level Interconnect code: e4

Absolute Maximum Ratings:

| Parameter | Unit |
|--------------------------------|---------------------------------|
| V _{CC} Supply Voltage | -0.5V to +4.6V |
| V _i Input Voltage | -0.5V to V _{CC} + 0.5V |
| V _o Output Voltage | -0.5V to V _{CC} + 0.5V |

Thermal Characteristics

The maximum die or junction temperature is 125°C

The thermal resistance junction to board is 30 to 50°C/Watt depending on the solder pads, ground plane and construction of the PCB.

Part Number:

| | | | | | | | | |
|------|----|---|---|---|---------|-----|--|--|
| LV77 | 45 | K | E | V | -125.0M | -XX | | Available Frequencies: |
| | | | | | | | Packaging code or blank | 100.0MHz |
| | | | | | | | T250 = 250 per Tape and Reel | 106.25MHz |
| | | | | | | | T500 = 500 per Tape and Reel | |
| | | | | | | | T1K = 1000 per Tape and Reel | 125.0MHz |
| | | | | | | | Frequency in MHz | |
| | | | | | | | Supply Voltage V_{CC} | 133.0MHz |
| | | | | | | | V = 3.3V \pm 10% | |
| | | | | | | | Optional Enhanced OTR | Contact factory for other options |
| | | | | | | | Blank = Temp. range -10 to +70°C | |
| | | | | | | | C = Temp. range -20 to +70°C E = Temp. range -40 to +85°C | |
| | | | | | | | Series Model | |
| | | | | | | | Frequency Stability | |
| | | | | | | | 45 = \pm 50 ppm 44 = \pm 25 ppm 20 = \pm 20 ppm | |
| | | | | | | | Series Model | |

Part Marking:

| | | |
|--|----|---|
| <p>PLE LV77 FF.FFF M • YMDXX</p> | or | <p>LV7XYWWXX FF.FFF M • PLE XXX</p> |
|--|----|---|

Marking Legend:

PLE = Pletronics

FF.FFF M = Frequency in MHz

YYWW or YWW or YMD = Date of Manufacture (year and week, or year-month-day)

All other marking is internal factory codes

Specifications such as frequency stability, supply voltage and operating temperature range, etc. are not identified from the marking. External packaging labels and packing list will correctly identify the ordered Pletronics part number.

Codes for Date Code YMD

| Code | 6 | 7 | 8 | 9 | 0 | Code | A | B | C | D | E | F | G | H | J | K | L | M |
|------|------|------|------|------|------|-------|-----|-----|-----|-----|-----|-----|-----|-----|-----|-----|-----|-----|
| Year | 2016 | 2017 | 2018 | 2019 | 2020 | Month | JAN | FEB | MAR | APR | MAY | JUN | JUL | AUG | SEP | OCT | NOV | DEC |

| Code | 1 | 2 | 3 | 4 | 5 | 6 | 7 | 8 | 9 | A | B | C | D | E | F | G |
|------|----|----|----|----|----|----|----|----|----|----|----|----|----|----|----|----|
| Day | 1 | 2 | 3 | 4 | 5 | 6 | 7 | 8 | 9 | 10 | 11 | 12 | 13 | 14 | 15 | 16 |
| Code | H | J | K | L | M | N | P | R | T | U | V | W | X | Y | Z | |
| Day | 17 | 18 | 19 | 20 | 21 | 22 | 23 | 24 | 25 | 26 | 27 | 28 | 29 | 30 | 31 | |

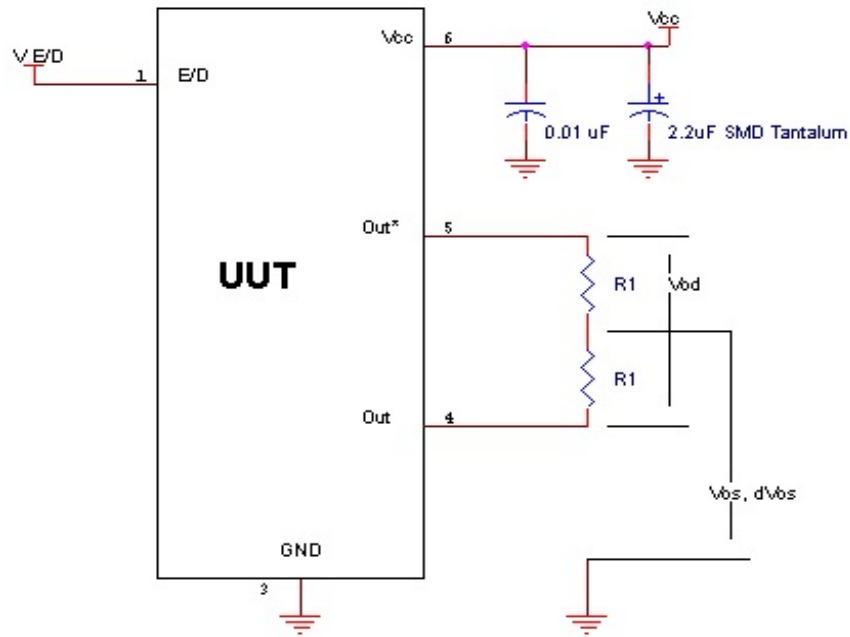
Electrical Specification for 3.30V $\pm 5\%$ over the specified temperature range and the frequency range of 100.0 to 212.50 MHz

| Item | Min | Typ | Max | Unit | Condition |
|--------------------------------------|------|------|------|--------------|--|
| Frequency Accuracy "45" | -50 | - | +50 | ppm | For all supply voltages, load changes, aging for 1 year, shock, vibration and temperatures |
| "44" | -25 | - | +25 | | |
| "20" | -20 | - | +20 | | |
| Output Waveform | LVDS | | | | |
| Output High Level | - | 1.43 | 1.60 | V | |
| Output Low Level | 0.90 | 1.10 | - | V | |
| Output Symmetry | 45 | - | 55 | % | at 50% point of V_{CC} (See load circuit) |
| Jitter ¹ | - | 50 | - | fs RMS | 12 KHz to 20 MHz from the output frequency @ 156.25 MHz |
| Output T_{RISE} and T_{FALL} | - | 0.3 | 1.0 | ns | V_{th} is 20% and 80% of waveform |
| V_{CC} Supply Current (I_{CC}) | - | 28 | 45 | mA | |
| Enable/Disable Internal Pull-up | 30 | - | 150 | Kohm | to V_{CC} , measured with Pad 1 = 0.0 volts |
| V disable | - | - | 20 | % V_{CC} | |
| V enable | 80 | - | - | % V_{CC} | |
| Output leakage Current | -10 | - | +10 | μ A | |
| Enable time | - | - | 2 | ms | Time for output to reach a logic state, the output frequency is correct at the specified Start Time. |
| Disable time | - | - | 200 | ns | Time for output to reach a high Z state |
| Start up time | - | - | 3 | ms | Time for output to reach specified frequency |
| Operating Temperature Range | -10 | - | +70 | $^{\circ}$ C | Standard Temperature Range |
| | -20 | - | +70 | $^{\circ}$ C | Extended Temperature Range "C" Option |
| | -40 | - | +85 | $^{\circ}$ C | Extended Temperature Range "E" Option |
| Storage Temperature Range | -55 | - | +125 | $^{\circ}$ C | |
| Standby Current I_{CC} | - | - | 15 | μ A | Pad 1 low, device disabled |

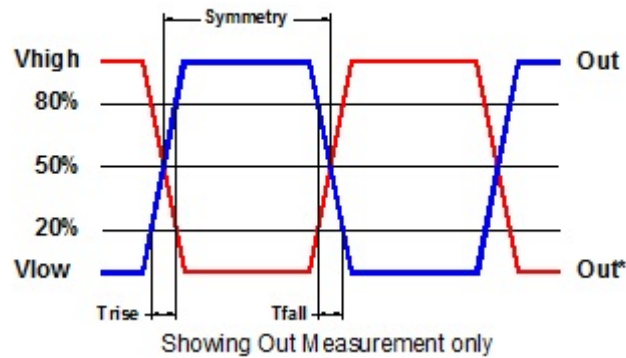
¹ Jitter computed from phase noise data at 156.25MHz

Specifications with Pad 1 E/D open circuit unless stated otherwise

Load Circuit



Test Waveform



Reliability: Environmental Compliance

| Parameter | Condition |
|------------------|--------------------------------------|
| Mechanical Shock | MIL-STD-883 Method 2002, Condition B |
| Vibration | MIL-STD-883 Method 2007, Condition A |
| Solderability | MIL-STD-883 Method 2003 |
| Thermal Shock | MIL-STD-883 Method 1011, Condition A |

ESD Rating

| Model | Minimum Voltage | Conditions |
|----------------------|-----------------|-------------------------|
| Human Body Model | 1500 | MIL-STD-883 Method 3115 |
| Charged Device Model | 1000 | JESD 22-C101 |

Package Labeling

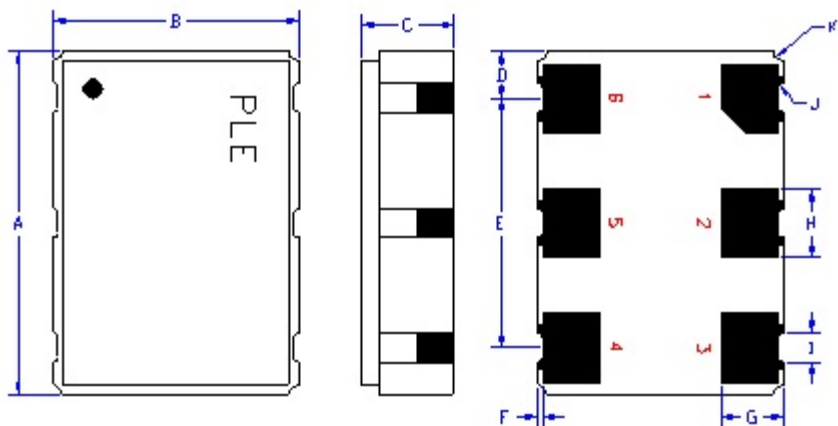
Label is 1" x 2.6" (25.4mm x 66.7mm)
Font is Courier New
Bar code is 39-Full ASCII

Label is 1" x 2.6" (25.4mm x 66.7mm)
Font is Arial

| |
|---|
| P/N:  LV7745KV-156.25M Customer P/N:  12345678 Qty:  1000 D/C  6KX-SG MSL: 1 |
|---|

| |
|---|
| RoHS Compliant 2nd LvL Interconnect Category=e4 Max Safe Temp=260C for 10s 2X Max |
|---|

Mechanical:



| | Inches | mm |
|----------------|-------------------|-----------------|
| A | 0.276 \pm 0.006 | 7.00 \pm 0.15 |
| B | 0.197 \pm 0.006 | 5.00 \pm 0.15 |
| C | 0.067 max | 1.80 max |
| D ¹ | 0.038 | 0.96 |
| E ¹ | 0.200 | 5.08 |
| F ¹ | 0.004 | 0.10 |
| G ¹ | 0.050 | 1.27 |
| H ¹ | 0.055 | 1.40 |
| I ¹ | 0.024 | 0.60 |
| J ¹ | 0.004R | 0.10R |
| K ¹ | 0.008R | 0.20R |

Not to Scale

¹ Typical dimensions

Contacts (pads) :

Gold 11.8 to 39.4 μ mches (0.3 to 1.0 μ m) over Nickel 50 to 350 μ mches (1.27 to 8.89 μ m)

| Pad | Function | Note |
|-----|-----------------------------|---|
| 1 | Output Enable/Disable | When this pad is not connected the oscillator shall operate. When this pad is <0.30 volts, the output will be inhibited (high impedance state.) Recommend connecting this pad to V_{CC} if the oscillator is to be always on. |
| 2 | No connect | There is no internal connection to this pad |
| 3 | Ground (GND) | |
| 4 | Output | Both outputs must be terminated and biased for proper operation. The ideal termination is 50 ohms connected to 2.0V below the Supply Voltage. |
| 5 | Output* | |
| 6 | Supply Voltage (V_{CC}) | Recommend connecting appropriate power supply bypass capacitors as close as possible. |



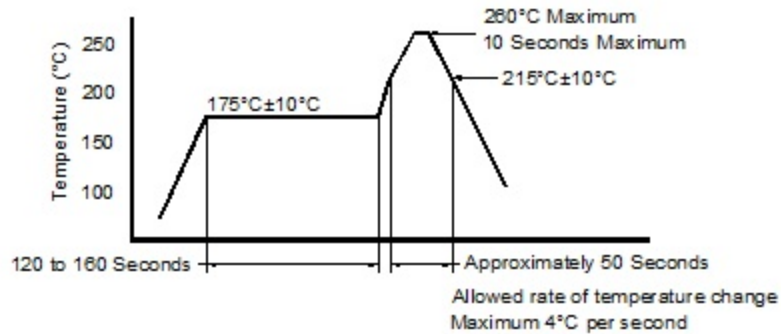
Layout and application information

Recommend connecting Pad 1 and Pad 2 together to permit the design to accept Enable/Disable input on either pad

For Optimum Jitter Performance, Pletronics recommends:

- a ground plane under the device
- no large transient signals (both current and voltage) should be routed under the device
- do not layout near a large magnetic field such as a high frequency switching power supply
- do not place near piezoelectric buzzers or mechanical fans.

Reflow Cycle (typical for lead free processing)



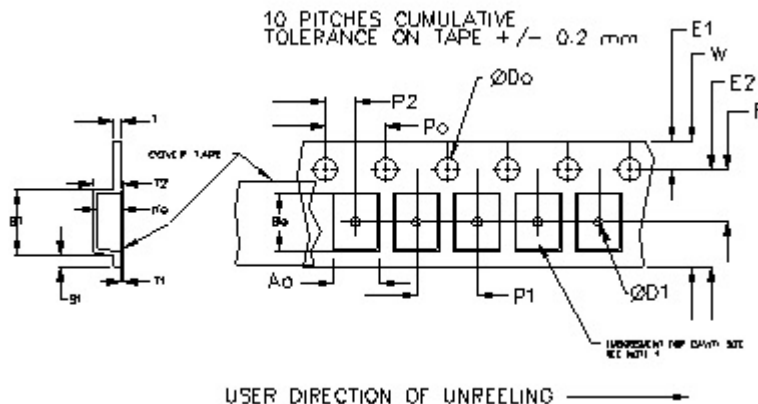
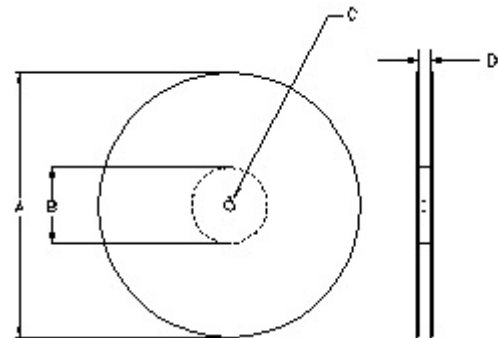
The part may be reflowed 3 times without degradation.

Tape and Reel: available for quantities of 250 to 1000 per reel, cut tape for < 250

| Constant Dimensions Table 1 | | | | | | | | |
|-----------------------------|--------------|--------|------|------|--------------|--------|-------|--------|
| Tape Size | D0 | D1 Min | E1 | P0 | P2 | S1 Min | T Max | T1 Max |
| 8mm | 1.5 | 1.0 | 1.75 | 4.0 | 2.0 ±0.05 | 0.6 | 0.6 | 0.1 |
| 12mm | | 1.5 | | | 2.0 ±0.1 | | | |
| 16mm | +0.1 -0.0 | 1.5 | ±0.1 | ±0.1 | 2.0 ±0.1 | | | |
| 24mm | | 1.5 | | | | | | |

| Variable Dimensions Table 2 | | | | | | | |
|-----------------------------|--------|--------|-----------|-----------|--------|-------|-------------|
| Tape Size | B1 Max | E2 Min | F | P1 | T2 Max | W Max | Ao, Bo & Ko |
| 16 mm | 12.1 | 14.25 | 7.5 ± 0.1 | 8.0 ± 0.1 | 8.0 | 16.3 | Note 1 |

Note 1: Embossed cavity to conform to EIA-481-B Dimensions in mm Not to scale



| | | REEL DIMENSIONS | | | |
|---|--------|------------------|--------------|--------------|------------|
| A | inches | 7.0 | 10.0 | 13.0 | |
| | mm | 177.8 | 254.0 | 330.2 | |
| B | inches | 2.50 | 4.00 | 3.75 | Tape Width |
| | mm | 63.5 | 101.6 | 95.3 | |
| C | mm | 13.0 +0.5 / -0.2 | | | |
| D | mm | 16.4 | 16.4 | 16.4 | 16.0 |
| | | +2.0 -0.0 | +2.0 -0.0 | +2.0 -0.0 | |

Reel dimensions may vary from the above

IMPORTANT NOTICE

Pletronics Incorporated (PLE) reserves the right to make corrections, improvements, modifications and other changes to this product at anytime. PLE reserves the right to discontinue any product or service without notice. Customers are responsible for obtaining the latest relevant information before placing orders and should verify that such information is current and complete. All products are sold subject to PLE's terms and conditions of sale supplied at the time of order acknowledgment.

PLE warrants performance of this product to the specifications applicable at the time of sale in accordance with PLE's limited warranty. Testing and other quality control techniques are used to the extent PLE deems necessary to support this warranty. Except where mandated by specific contractual documents, testing of all parameters of each product is not necessarily performed.

PLE assumes no liability for application assistance or customer product design. Customers are responsible for their products and applications using PLE components. To minimize the risks associated with the customer products and applications, customers should provide adequate design and operating safeguards.

PLE products are not designed, intended, authorized or warranted to be suitable for use in life support applications, weapons, weapon systems or space applications, devices or systems or other critical applications that may involve potential risks of death, personal injury or severe property or environmental damage. Inclusion of PLE products in such applications is understood to be fully at the risk of the customer. Use of PLE products in such applications requires the written approval of an appropriate PLE officer. Questions concerning potential risk applications should be directed to PLE.

PLE does not warrant or represent that any license, either express or implied, is granted under any PLE patent right, copyright, artwork or other intellectual property right relating to any combination, machine or process which PLE product or services are used. Information published by PLE regarding third-party products or services does not constitute a license from PLE to use such products or services or a warranty or endorsement thereof. Use of such information may require a license from a third party under the patents or other intellectual property of the third party, or a license from PLE under the patents or other intellectual property of PLE.

Reproduction of information in PLE data sheets or web site is permissible only if the reproduction is without alteration and is accompanied by associated warranties, conditions, limitations and notices. Reproduction of this information with alteration is an unfair and deceptive business practice. PLE is not responsible or liable for such altered documents.

Resale of PLE products or services with statements different from or beyond the parameters stated by PLE for that product or service voids all express and implied warranties for the associated PLE product or service and is an unfair or deceptive business practice. PLE is not responsible for any such statements.

Contacting Pletronics Inc.

Pletronics Inc.
19013 36th Ave. West
Lynnwood, WA 98036-5761 USA

Tel: 425-776-1880
Fax: 425-776-2760
E-mail: ple-sales@pletronics.com
URL: www.pletronics.com

Copyright © 2018 Pletronics Inc.



Компания «ЭлектроПласт» предлагает заключение долгосрочных отношений при поставках импортных электронных компонентов на взаимовыгодных условиях!

Наши преимущества:

- Оперативные поставки широкого спектра электронных компонентов отечественного и импортного производства напрямую от производителей и с крупнейших мировых складов;
- Поставка более 17-ти миллионов наименований электронных компонентов;
- Поставка сложных, дефицитных, либо снятых с производства позиций;
- Оперативные сроки поставки под заказ (от 5 рабочих дней);
- Экспресс доставка в любую точку России;
- Техническая поддержка проекта, помощь в подборе аналогов, поставка прототипов;
- Система менеджмента качества сертифицирована по Международному стандарту ISO 9001;
- Лицензия ФСБ на осуществление работ с использованием сведений, составляющих государственную тайну;
- Поставка специализированных компонентов (Xilinx, Altera, Analog Devices, Intersil, Interpoint, Microsemi, Aeroflex, Peregrine, Syfer, Eurofarad, Texas Instrument, Miteq, Cobham, E2V, MA-COM, Hittite, Mini-Circuits, General Dynamics и др.);

Помимо этого, одним из направлений компании «ЭлектроПласт» является направление «Источники питания». Мы предлагаем Вам помощь Конструкторского отдела:

- Подбор оптимального решения, техническое обоснование при выборе компонента;
- Подбор аналогов;
- Консультации по применению компонента;
- Поставка образцов и прототипов;
- Техническая поддержка проекта;
- Защита от снятия компонента с производства.



Как с нами связаться

Телефон: 8 (812) 309 58 32 (многоканальный)

Факс: 8 (812) 320-02-42

Электронная почта: org@eplast1.ru

Адрес: 198099, г. Санкт-Петербург, ул. Калинина, дом 2, корпус 4, литера А.