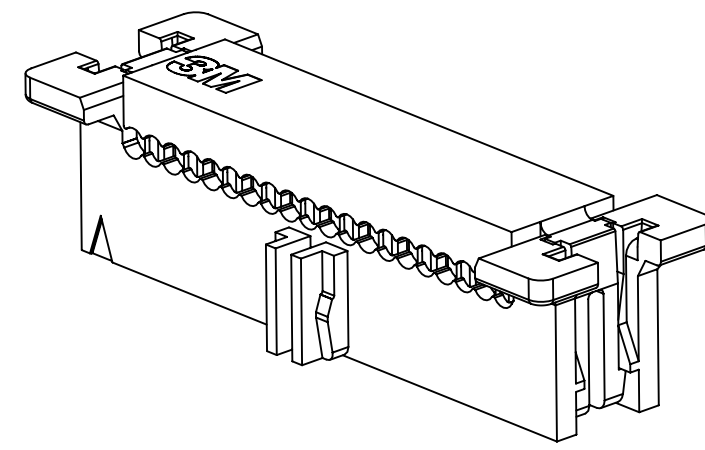
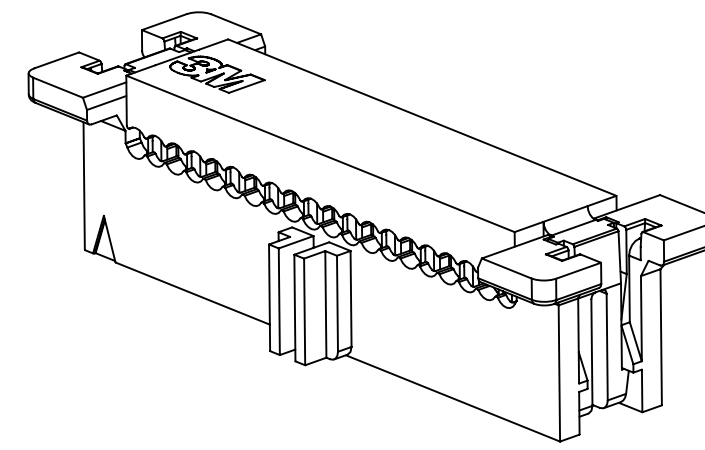


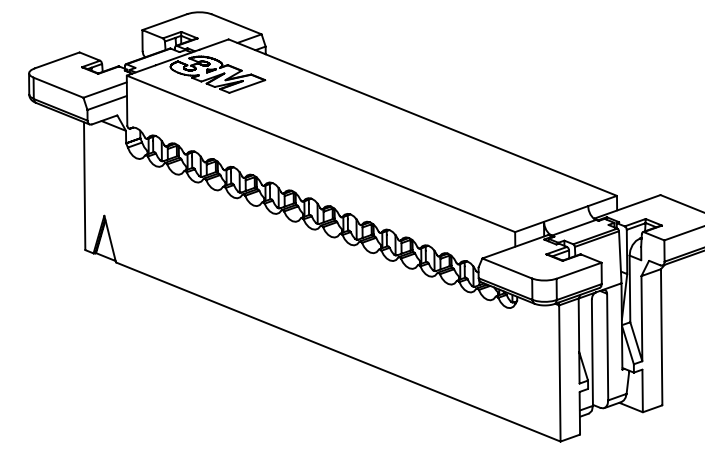
3M™ RIBBON CABLE WIREMOUNT SOCKET ASSEMBLY,
1.27mm (0.050") PITCH, 451 SERIES



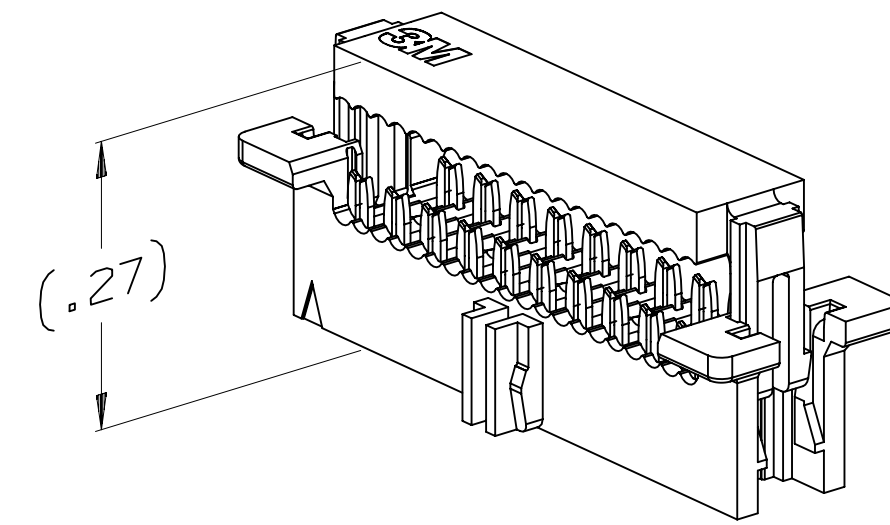
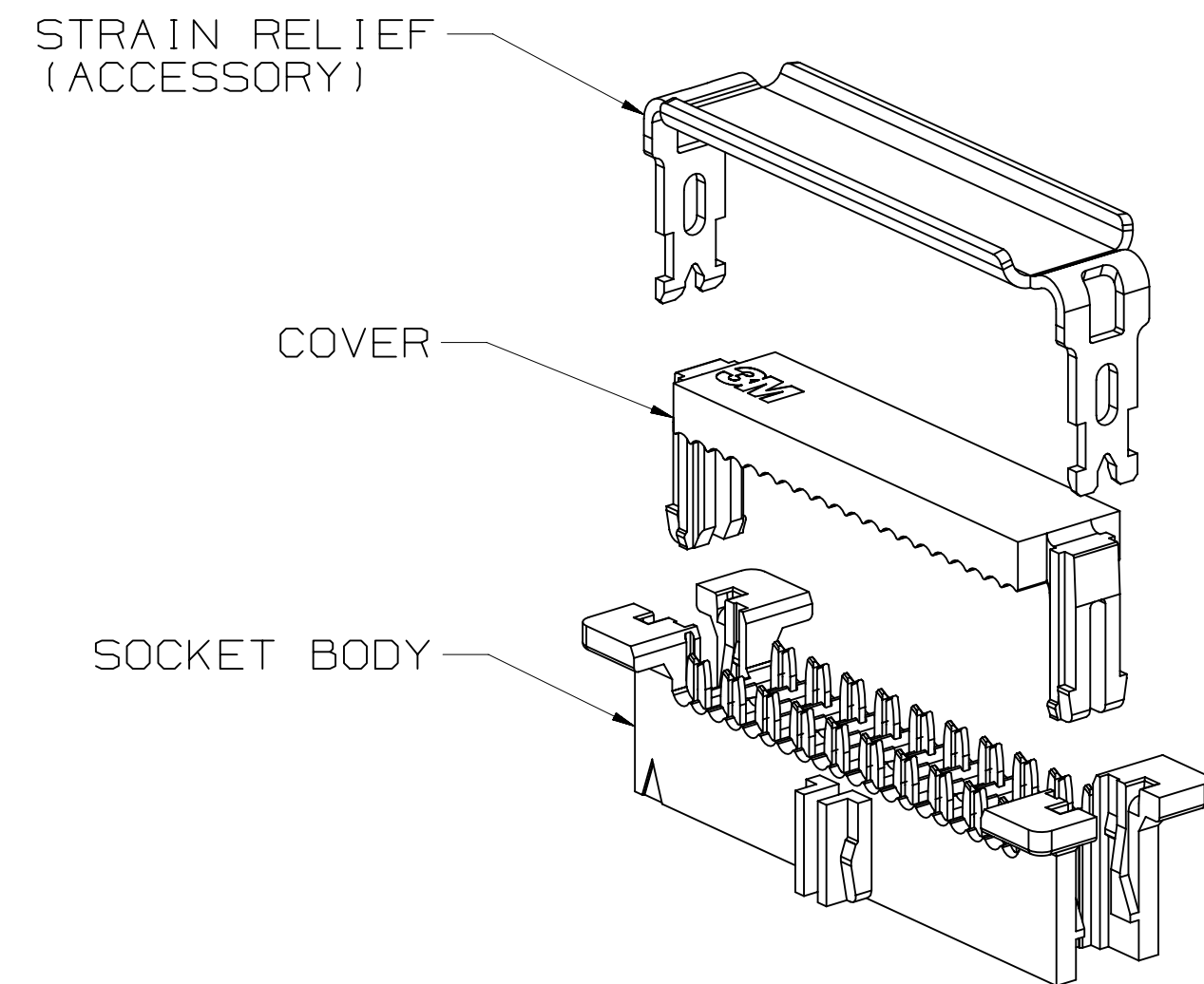
CENTER POLARIZATION
AND FRICTION LATCH



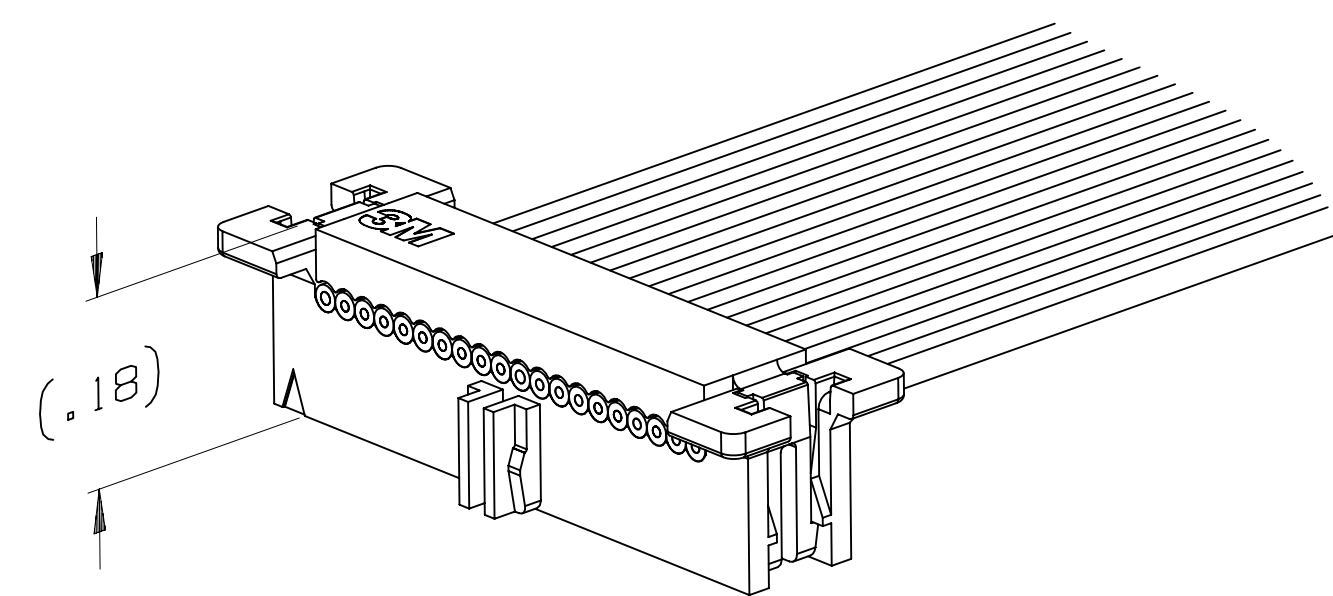
CENTER POLARIZATION
AND NO FRICTION LATCH



NO CENTER POLARIZATION
AND NO FRICTION LATCH

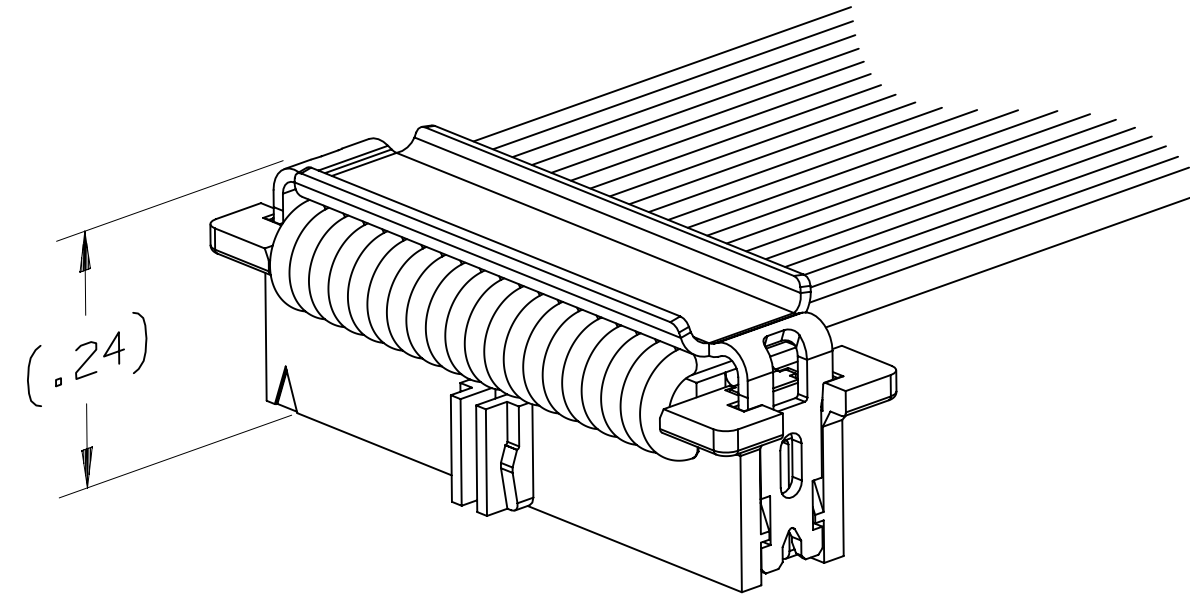


PRE-POSITIONED COVER



NO STRAIN RELIEF

TERMINATED
CONNECTOR



WITH OPTIONAL
STRAIN RELIEF

PERFORMANCE:	
CURRENT RATING:	1.0 A, ALL LINES ENERGIZED, 30°C TEMP RISE PER EIA 364-70
	1.5 A, 6 LINES ENERGIZED, 30°C TEMP RISE PER EIA 364-70
	2.5 A, 1 LINE ENERGIZED, 30°C TEMP RISE PER EIA 364-70
	1.0 A, UL & CUL NOT FOR CURRENT INTERRUPTION
UL & CUL VOLTAGE RATING:	125V _{ac}
INSULATION RESISTANCE:	> 1 × 10 ⁹ Ohms AT 500 VDC
WITHSTANDING VOLTAGE:	1250VACrms AT SEA LEVEL
OPERATING TEMPERATURE:	-65°C to +125°C
UL & CUL OPERATING TEMPERATURE:	+125°C

- NOTES
- MATERIAL:
BODY: PBT, UL94V-0
COVER: PBT, UL94V-0
STRAIN RELIEF: STAINLESS
STEEL
CONTACTS: BeCu ALLOY.
 - PLATING:
50-150μ" NICKEL UNDERPLATE
30 = 30μ" MIN. GOLD ON WIPING
AREA
00 = FLASH GOLD ON WIPING AREA.
 - RIBBON CABLE COMPATIBILITY:
GENERAL:
0.025" PITCH PVC, 30 AWG,
SOLID OR 7 STRAND.
RECOMMENDED:
3M 3447 AND 3754 SERIES
CABLE.
 - MATING COMPATIBILITY:
3M 1.27mm (0.050"),
SERIES 452 HEADER WITH
LATCH/EJECT OPTION.
TECH SHEET 2437
 - REGULATORY INFORMATION:
ROHS COMPLIANT. SEE THE
REGULATORY INFORMATION
APPENDIX (RIA) IN THE
"ROHS COMPLIANCE" SECTION
OF WWW.3MCONNECTORS.COM
FOR COMPLIANCE INFORMATION
(RIA E1 & C1 APPLY)
 - IN THE EVENT OF CONFLICT
BETWEEN THIS DATA AND THAT
CONTAINED IN THE PRODUCT
SPECIFICATION, THE PRODUCT
SPECIFICATION TAKES PRECEDENT.
 - REFERENCE RELATED DOCUMENTS:
PRODUCT SPECIFICATION:
3M DOC. ID# 78-5102-0091-4.
 - TOOLING AND INSTALLATION
INSTRUCTIONS:
3M DOC. ID# 78-9101-8937-8.
 - OTHER PIN COUNTS AVAILABLE
UPON REQUEST. CONTACT 3M.
 - PACKAGING:
SOCKET: TRAY
COVER: BAG

ORDERING INFORMATION
FOR RAPID INSTALLATION ON
RIBBON CABLE APPLICATIONS

451 XX - 0 X 0 0 XX
 SERIES POSITION COUNT PLATING
 04 - 30 SEE TABLE 1 00 = AU FLASH
 30 = 30μ" GOLD
 OPTIONAL FEATURES
 0 = NONE SPECIFIED
 PACKAGING
 0 = STANDARD (TRAYS)

CENTER POLARIZATION / FRICTION LATCH
 0 = NO CENTER POLARIZATION (CP) (04-30 POS.)
 1 = CP NO FRICTION LATCH (08 - 30 POS.)
 2 = CP WITH FRICTION LATCH (08 - 30 POS.)

NOTE:
 FRICTION LATCH (OPTION 2) IS NOT SUITABLE
 FOR HEADER WITH LATCH EJECT OPTION

ACCESSORY: STRAIN RELIEF
 3448-451XX

POSITION COUNT
 04 - 30

APPLICATION TOOLING:
 ALUMINUM: 3443-82-XX

POSITION COUNT
 04 - 30

3M ELECTRONIC MATERIALS SOLUTIONS DIVISION
 INTERCONNECT SOLUTIONS
<http://www.3mconnectors.com>

3M IS A TRADEMARK OF 3M COMPANY.
 FOR TECHNICAL, SALES OR ORDERING
 INFORMATION CALL 800-225-5373

UL us
 UL FILE NO: E68080

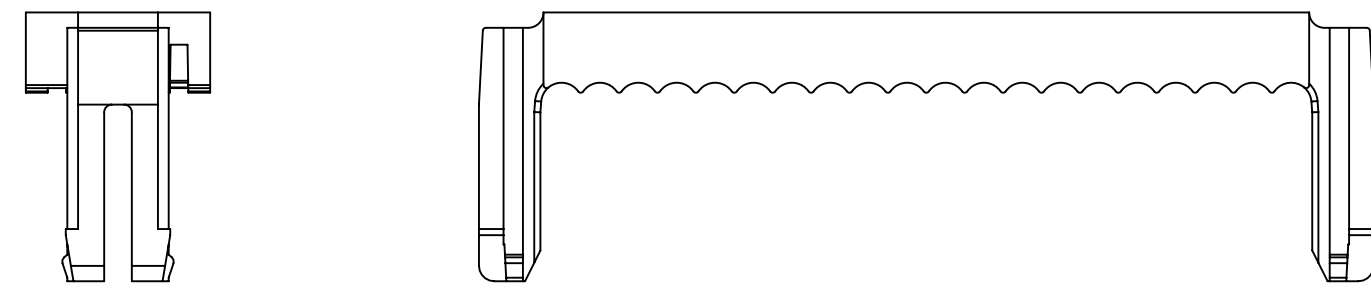
78-5100-2396-9 78-5100-2437-1	DESIGN REFERENCE	NEXT ASSEMBLY	REV	ECO	ISSUE DATE AND DESCRIPTION	DRFT	CHKD
			ARM	FEB 11, 2011	MFG		
			CHKO		APPR	DATE	DATE
					SAN	FEB 11, 2011	FEB 11, 2011
DIVISION		3M Center		© 3M COPYRIGHT 2014			
Interconnect Solutions		ISD		This document and the information it contains are 3M property and may not be reproduced or further distributed without 3M permission, or used or disclosed other than for 3M authorized purposes. All rights reserved.			
DO NOT SCALE DRAWING	SCALE 6-1	TOLERANCES EXCEPT AS NOTED	TITILE				
			RIBBON CABLE SOCKET, 05 X 05 PITCH, 451 SERIES				
THIRD ANGLE PROJECTION	INTERPRET PER ASME Y14.5 - 2009	MILLIMETERS	CAGE NUMBER	SIZE	DRAWING NO.	REV.	
			D	78-5100-2436-3	F		
MAX SURFACE ROUGHNESS	DTX SURFACES	MARKED ONLY	MODEL	DET	LISTS	YES	NO
							SHT 1 OF 2

F 78-5100-2436-3 DRAWING NUMBER
 B
 AM UTC-05:00
 9:01 9/24/2014

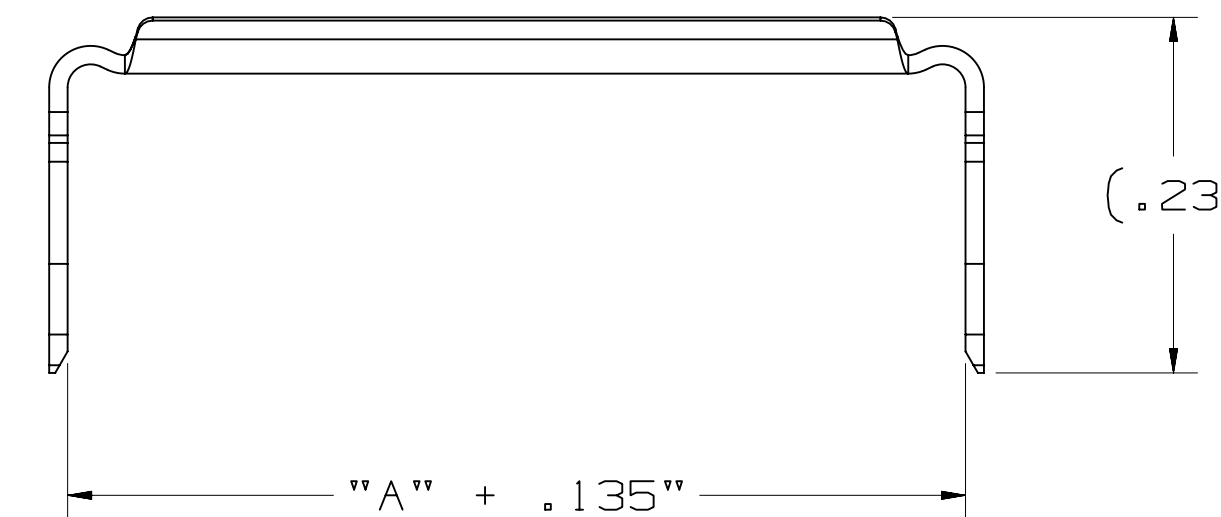
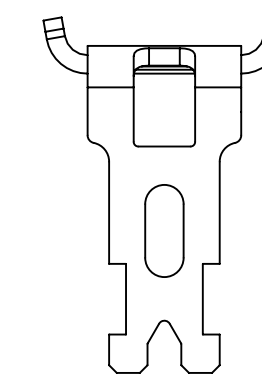
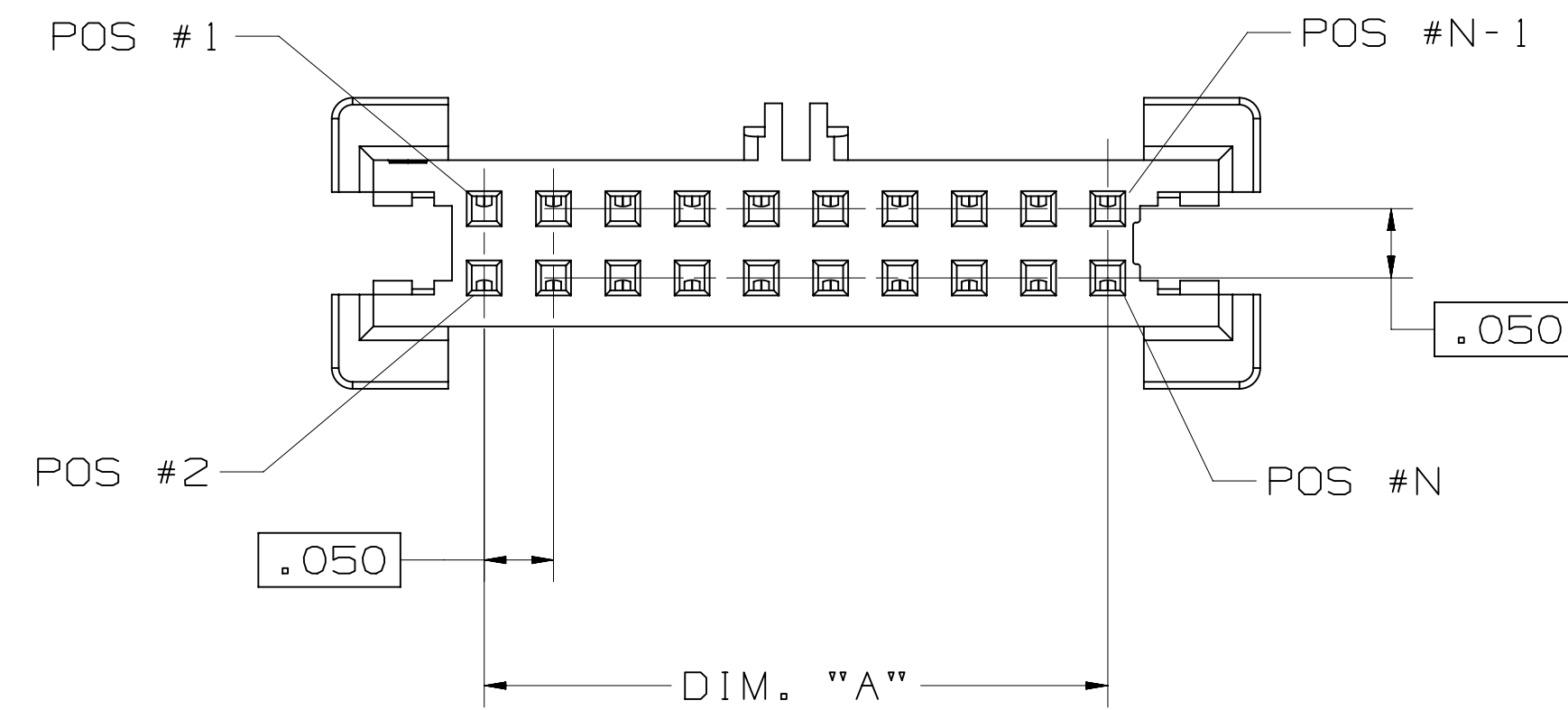
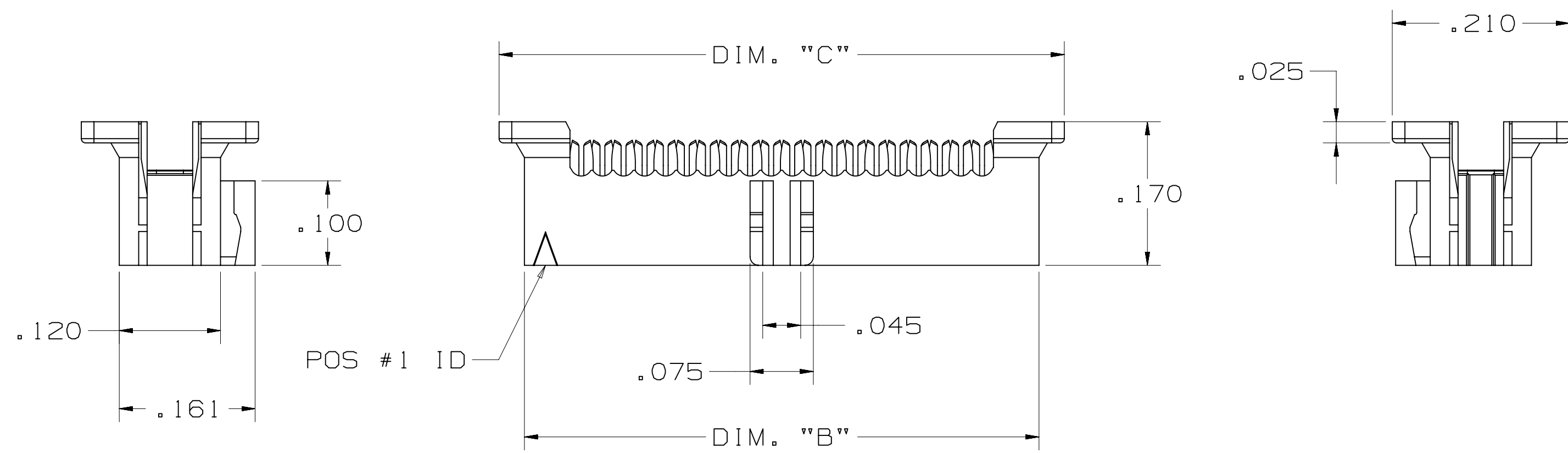
3M™ RIBBON CABLE WIREMOUNT SOCKET ASSEMBLY,
1.27mm (0.050") PITCH, 451 SERIES

TABLE 1

No. Positions	Dim "A"	Dim "B"	Dim "C"
4	.050	.210	.270
6	.100	.260	.320
8	.150	.310	.370
10	.200	.360	.420
12	.250	.410	.470
14	.300	.460	.520
16	.350	.510	.570
20	.450	.610	.670
30	.700	.860	.920



COVER



ACCESSORY - STRAIN RELIEF
PART NUMBER 3448-451XX

REV	ECO	ISSUE DATE AND DESCRIPTION	DRFT	CHKD
F	56988	SEP 24, 2014 REVISE PERFORMANCE CHART	JNC	SN
E	54514	MAY 07, 2014 ADD UL LOGO	SJS	SAN
D	51884	JAN 08, 2014 ADD DESIGN REF, UPDATE TITLE, ADD TS REF	SJS	SAN
C	50290	OCT 08, 2013 REVISE NOTES 1, 3, 8 & OPERATING TEMP.	JNC	SN
B	48635	JUL 12, 2013 MATCH TEXT FONTS & ADD NOTE 10	JNC	SN
A	46797	MAR 25, 2013 PRODUCTION RELEASE	JNC	SAN

78-5100-2396-9
78-5100-2437-1

DESIGN REFERENCE NEXT ASSEMBLY

REV	DATE	APPRV	DATE
ARM	FEB 11, 2011	SAN	FEB 11, 2011

DIVISION CODE

Interconnect Solutions
SCALE 4/1
TOLERANCES EXCEPT AS NOTED

THIRD ANGLE PROJECTION
INCHES
.0 ± .1
.00 ± .02
.000 ± .010
.0000 ± .005

INTERPRET PER ASME Y14.5 - 2009
MILLIMETERS
0 ±
.0 ±
.00 ±
200 ±

MAX SURFACE ROUGHNESS
SURFACES
MARKED ONLY

3M Center St. Paul, MN 55144
© 3M COPYRIGHT 2014
This document and the information it contains are 3M property and may not be reproduced or further distributed without 3M permission, or used or disclosed other than for 3M authorized purposes. All rights reserved.

TITLE
RIBBON CABLE SOCKET,
.05 X .05 PITCH, 451
SERIES

CAGE NUMBER D78-5100-2436-3
REV. F
SHT 2 OF 2

78-5100-2436-3
DRAWING NUMBER
F
REVISION
AM UTC-05:00
9:01
FEB 24/2014
3



Компания «ЭлектроПласт» предлагает заключение долгосрочных отношений при поставках импортных электронных компонентов на взаимовыгодных условиях!

Наши преимущества:

- Оперативные поставки широкого спектра электронных компонентов отечественного и импортного производства напрямую от производителей и с крупнейших мировых складов;
- Поставка более 17-ти миллионов наименований электронных компонентов;
- Поставка сложных, дефицитных, либо снятых с производства позиций;
- Оперативные сроки поставки под заказ (от 5 рабочих дней);
- Экспресс доставка в любую точку России;
- Техническая поддержка проекта, помощь в подборе аналогов, поставка прототипов;
- Система менеджмента качества сертифицирована по Международному стандарту ISO 9001;
- Лицензия ФСБ на осуществление работ с использованием сведений, составляющих государственную тайну;
- Поставка специализированных компонентов (Xilinx, Altera, Analog Devices, Intersil, Interpoint, Microsemi, Aeroflex, Peregrine, Syfer, Eurofarad, Texas Instrument, Miteq, Cobham, E2V, MA-COM, Hittite, Mini-Circuits, General Dynamics и др.);

Помимо этого, одним из направлений компании «ЭлектроПласт» является направление «Источники питания». Мы предлагаем Вам помощь Конструкторского отдела:

- Подбор оптимального решения, техническое обоснование при выборе компонента;
- Подбор аналогов;
- Консультации по применению компонента;
- Поставка образцов и прототипов;
- Техническая поддержка проекта;
- Защита от снятия компонента с производства.



Как с нами связаться

Телефон: 8 (812) 309 58 32 (многоканальный)

Факс: 8 (812) 320-02-42

Электронная почта: org@eplast1.ru

Адрес: 198099, г. Санкт-Петербург, ул. Калинина, дом 2, корпус 4, литера А.