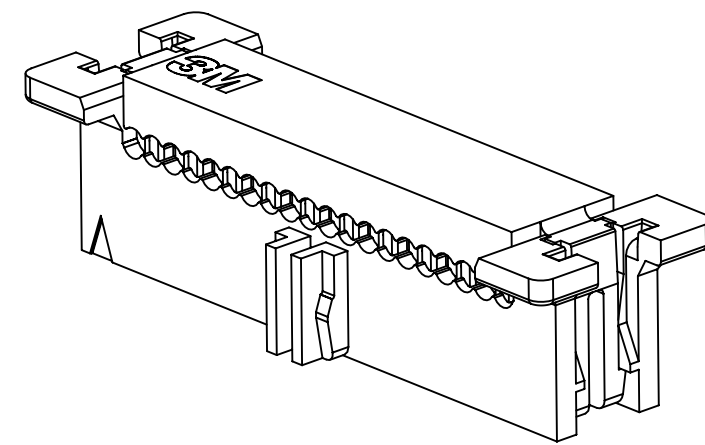
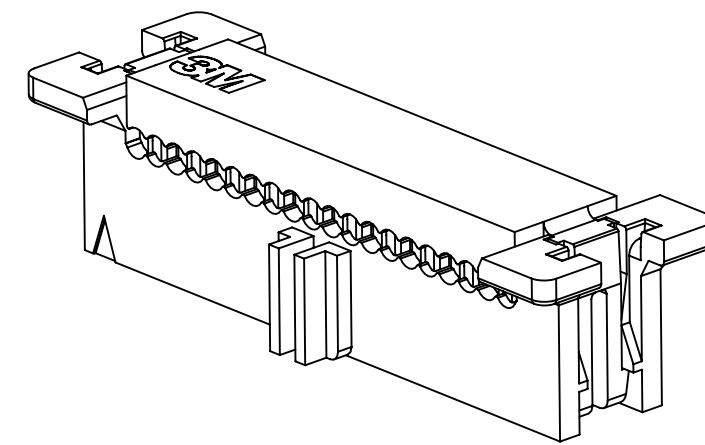


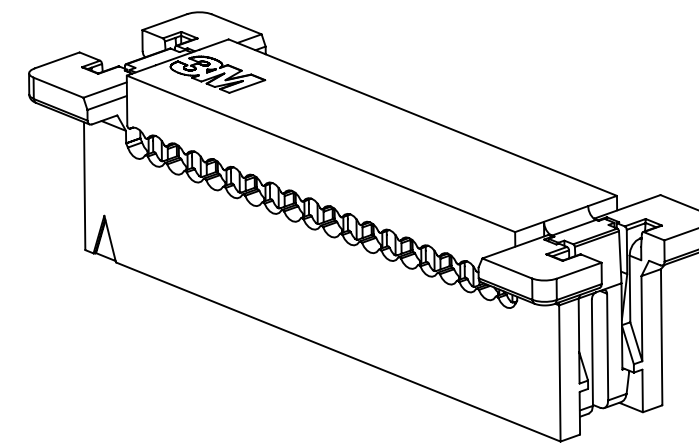
3M™ RIBBON CABLE WIREMOUNT SOCKET ASSEMBLY,  
1.27mm (0.050") PITCH, 451 SERIES



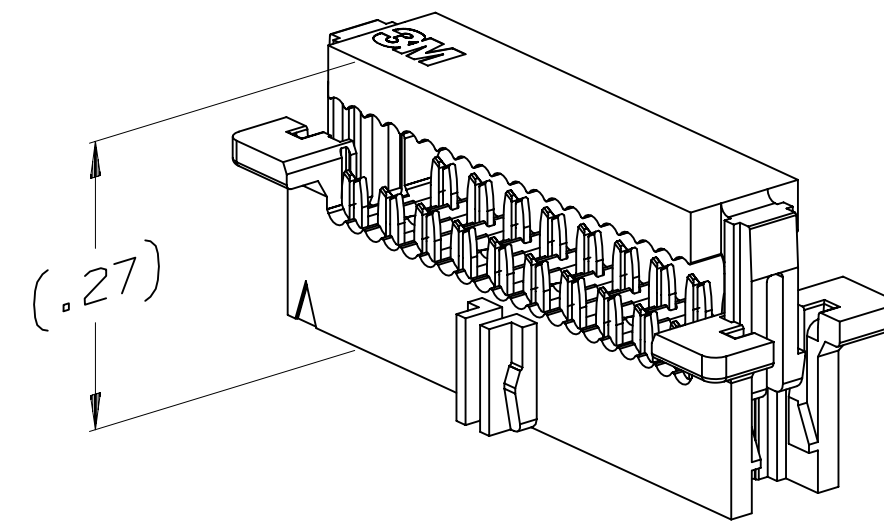
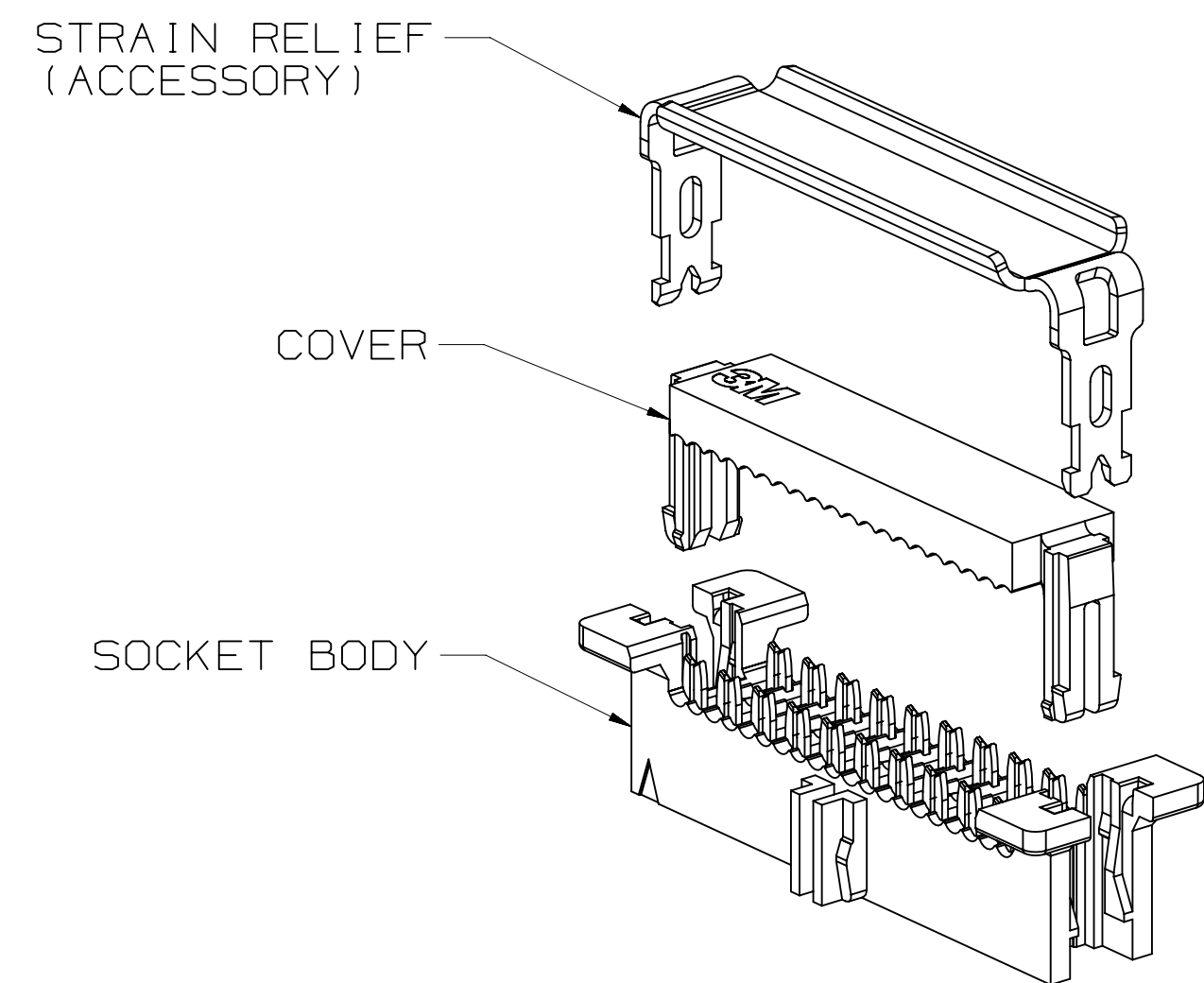
CENTER POLARIZATION AND FRICTION LATCH



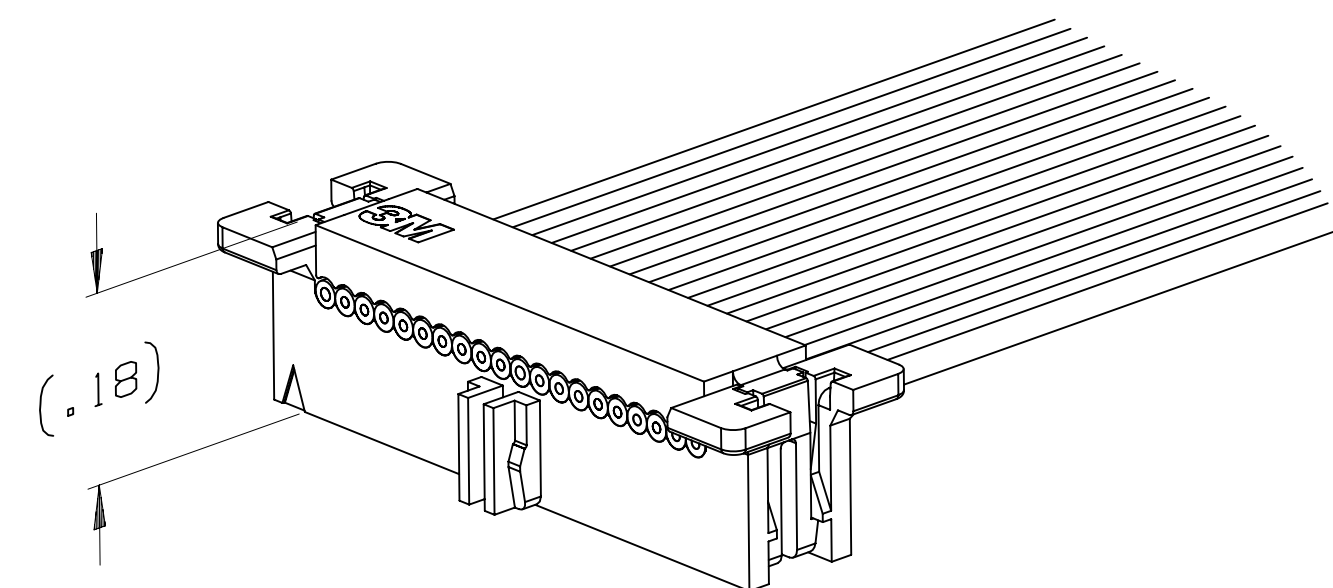
CENTER POLARIZATION AND NO FRICTION LATCH



NO CENTER POLARIZATION AND NO FRICTION LATCH

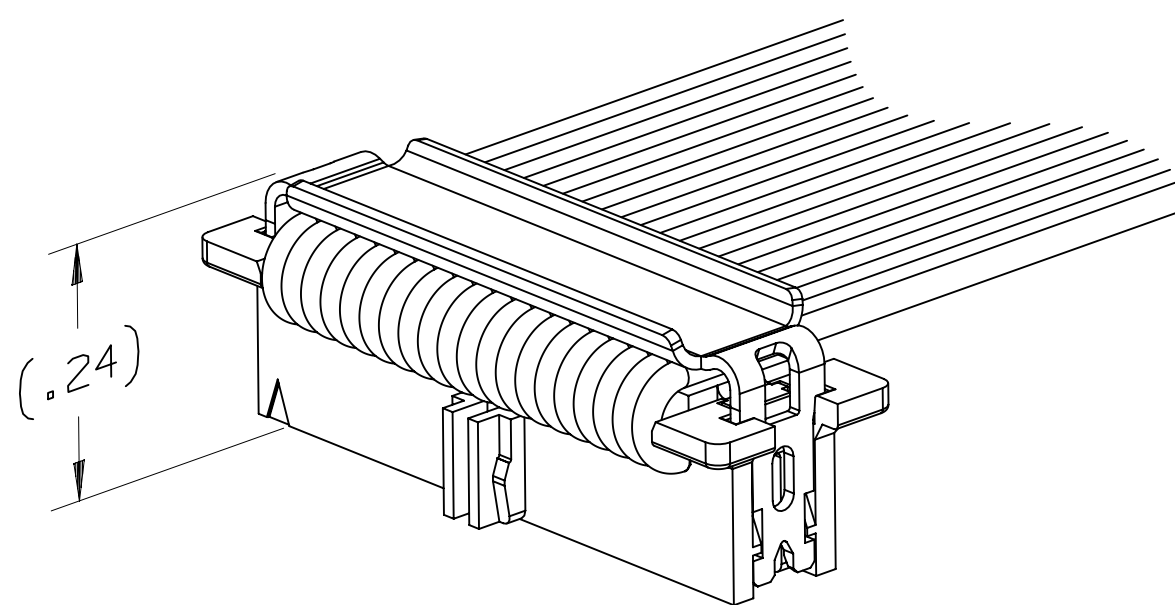


PRE-POSITIONED COVER



NO STRAIN RELIEF

TERMINATED CONNECTOR



WITH OPTIONAL STRAIN RELIEF

PERFORMANCE:	
CURRENT RATING:	1.0 A, ALL LINES ENERGIZED, 30°C TEMP RISE PER EIA 364-70 1.5 A, 6 LINES ENERGIZED, 30°C TEMP RISE PER EIA 364-70 2.5 A, 1 LINE ENERGIZED, 30°C TEMP RISE PER EIA 364-70
UL & CUL VOLTAGE RATING:	125V <sub>ac</sub>
INSULATION RESISTANCE:	> 1 × 10 <sup>9</sup> Ohms AT 500 VDC
WITHSTANDING VOLTAGE:	1250VACrms AT SEA LEVEL
OPERATING TEMPERATURE:	-65°C to +125°C
UL & CUL OPERATING TEMPERATURE:	+125°C

- NOTES
- MATERIAL:  
BODY: PBT, UL94V-0  
COVER: PBT, UL94V-0  
STRAIN RELIEF: STAINLESS STEEL  
CONTACTS: BeCu ALLOY.
  - PLATING:  
50-150μ" NICKEL UNDERPLATE  
30 = 30μ" MIN. GOLD ON WIPING AREA  
00 = FLASH GOLD ON WIPING AREA.
  - RIBBON CABLE COMPATIBILITY:  
GENERAL:  
0.025" PITCH PVC, 30 AWG, SOLID OR 7 STRAND.  
RECOMMENDED:  
3M 3447 AND 3754 SERIES CABLE.
  - MATING COMPATIBILITY:  
3M 1.27mm (0.050"), SERIES 452 HEADER WITH LATCH/EJECT OPTION, TECH SHEET 2437
  - REGULATORY INFORMATION:  
ROHS COMPLIANT. SEE THE REGULATORY INFORMATION APPENDIX (RIA) IN THE "ROHS COMPLIANCE" SECTION OF WWW.3MCONNECTORS.COM FOR COMPLIANCE INFORMATION (RIA E1 & C1 APPLY)
  - IN THE EVENT OF CONFLICT BETWEEN THIS DATA AND THAT CONTAINED IN THE PRODUCT SPECIFICATION, THE PRODUCT SPECIFICATION TAKES PRECEDENT.
  - REFERENCE RELATED DOCUMENTS:  
PRODUCT SPECIFICATION:  
3M DOC. ID# 78-5102-0091-4.
  - TOOLING AND INSTALLATION INSTRUCTIONS:  
3M DOC. ID# 78-9101-8937-8.
  - OTHER PIN COUNTS AVAILABLE UPON REQUEST. CONTACT 3M.
  - PACKAGING:  
SOCKET: TRAY  
COVER: BAG

ORDERING INFORMATION FOR RAPID INSTALLATION ON RIBBON CABLE APPLICATIONS

451 XX - 0 X 0 0 XX  
 SERIES POSITION COUNT PLATING  
 04 - 30 SEE TABLE 1 00 = AU FLASH  
 30 = 30μ" GOLD  
 OPTIONAL FEATURES  
 0 = NONE SPECIFIED  
 PACKAGING  
 0 = STANDARD (TRAYS)

CENTER POLARIZATION / FRICTION LATCH  
 0 = NO CENTER POLARIZATION (CP) (04-30 POS.)  
 1 = CP NO FRICTION LATCH (08 - 30 POS.)  
 2 = CP WITH FRICTION LATCH (08 - 30 POS.)

NOTE:  
 FRICTION LATCH (OPTION 2) IS NOT SUITABLE FOR HEADER WITH LATCH EJECT OPTION

ACCESSORY: STRAIN RELIEF  
 3448-451XX

POSITION COUNT  
 04 - 30

APPLICATION TOOLING:  
 ALUMINUM: 3443-82-XX

POSITION COUNT  
 04 - 30

3M ELECTRONIC MATERIALS SOLUTIONS DIVISION  
 INTERCONNECT SOLUTIONS  
 http://www.3mconnectors.com

3M IS A TRADEMARK OF 3M COMPANY.  
 FOR TECHNICAL, SALES OR ORDERING  
 INFORMATION CALL 800-225-5373

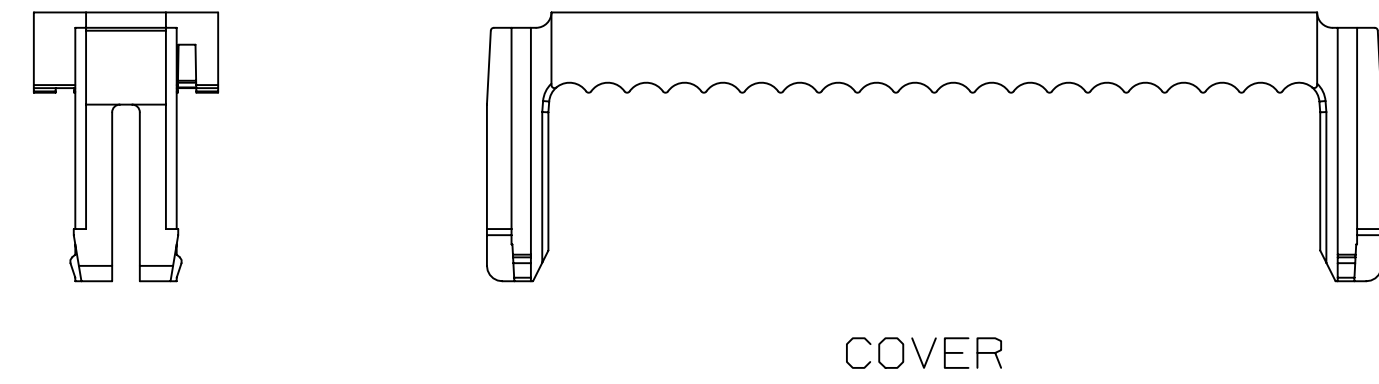
**cRUs**  
 UL FILE NO: E68080

78-5100-2396-9 78-5100-2437-1		DESIGN REFERENCE		NEXT ASSEMBLY	
REV	ECO	ISSUE DATE AND DESCRIPTION	DRFT	CHKD	
ARM	FEB 11,2011	MFG DATE			
ARM	FEB 11,2011	APPRV SAN	DATE FEB 11,2011		
DIVISION Interconnect Solutions			DIVISION CODE ISD		
DO NOT SCALE DRAWING	SCALE 1	TOLERANCES EXCEPT AS NOTED	3M Center St. Paul, MN 55144		
THIRD ANGLE PROJECTION		INCHES .00 ± .01 .000 ± .010 .0000 ± .005	© 3M COPYRIGHT 2014 This document and the information it contains are 3M property and may not be reproduced or further distributed without 3M permission, or used or disclosed other than for 3M authorized purposes. All rights reserved.		
INTERPRET PER ASME Y14.5 - 2009		MILLIMETERS 0 ± .0 ± .00 ± 200 ±	TITLE RIBBON CABLE SOCKET, .05 X .05 PITCH, 451 SERIES		
MAX SURFACE ROUGHNESS 1.6 SURFACES 0.8 MARKED ONLY		ANGLES 0 ±	CAGE NUMBER <b>D</b> 78-5100-2436-3		REV. F
			MODEL SHT 1 OF 2		

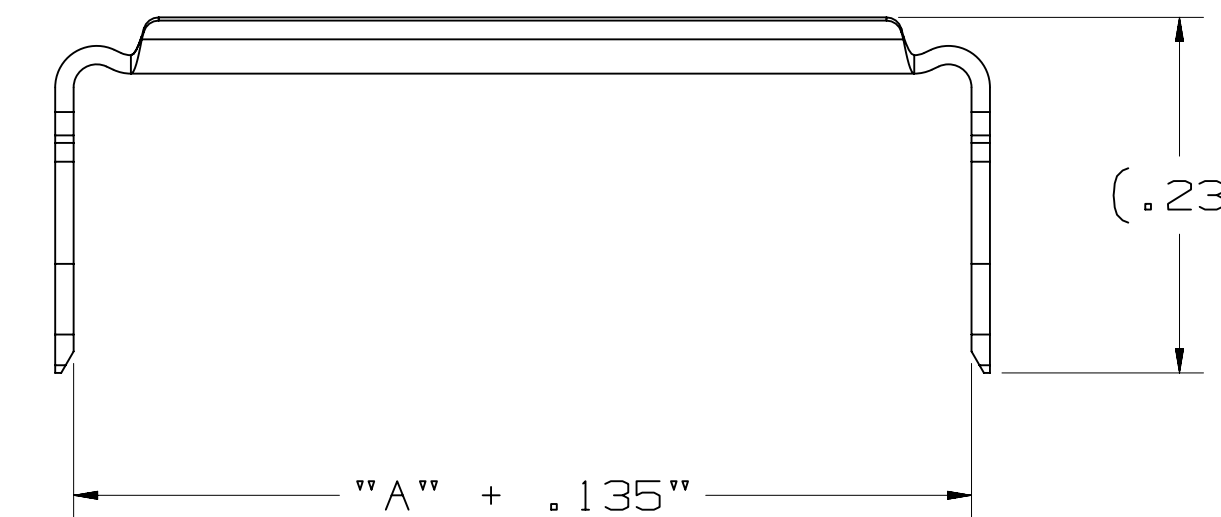
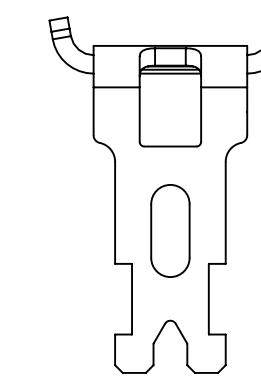
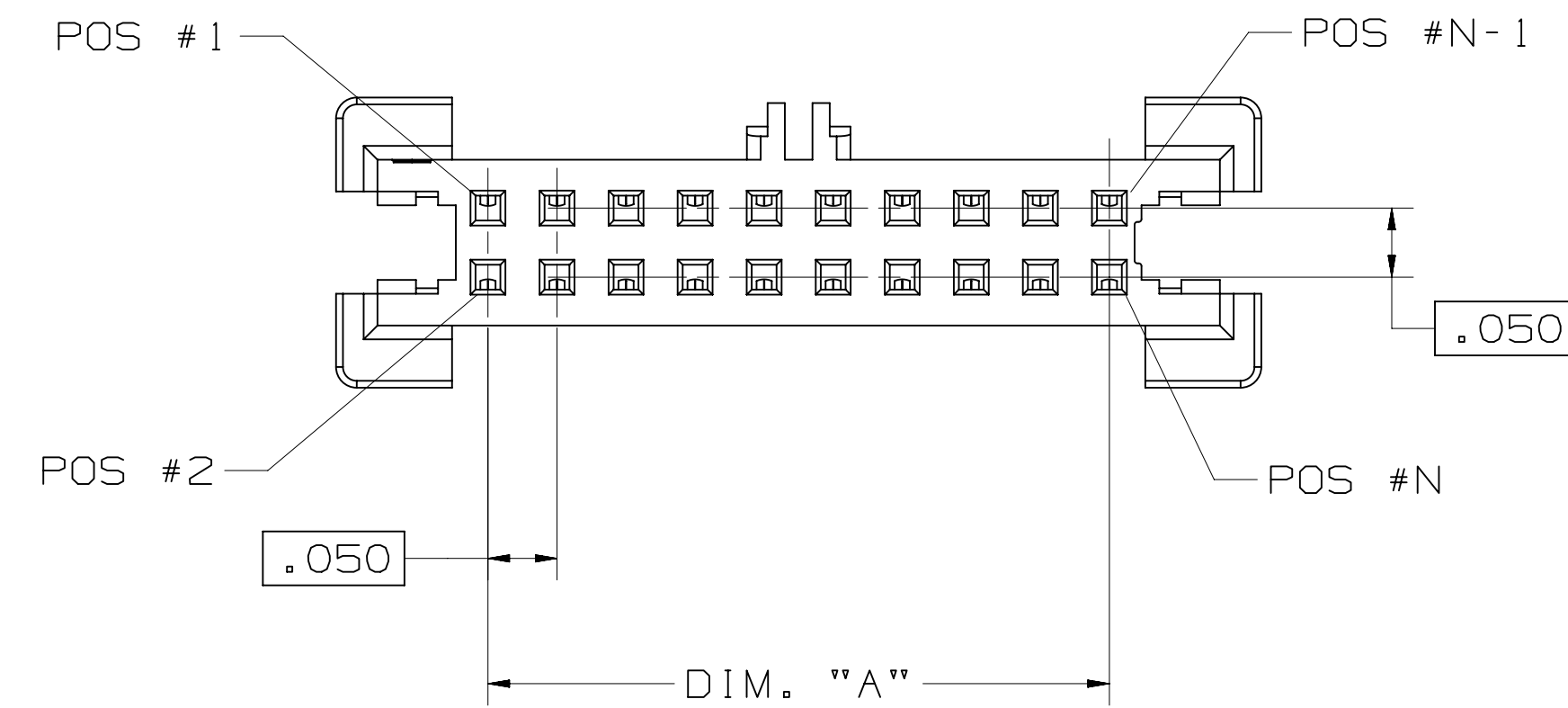
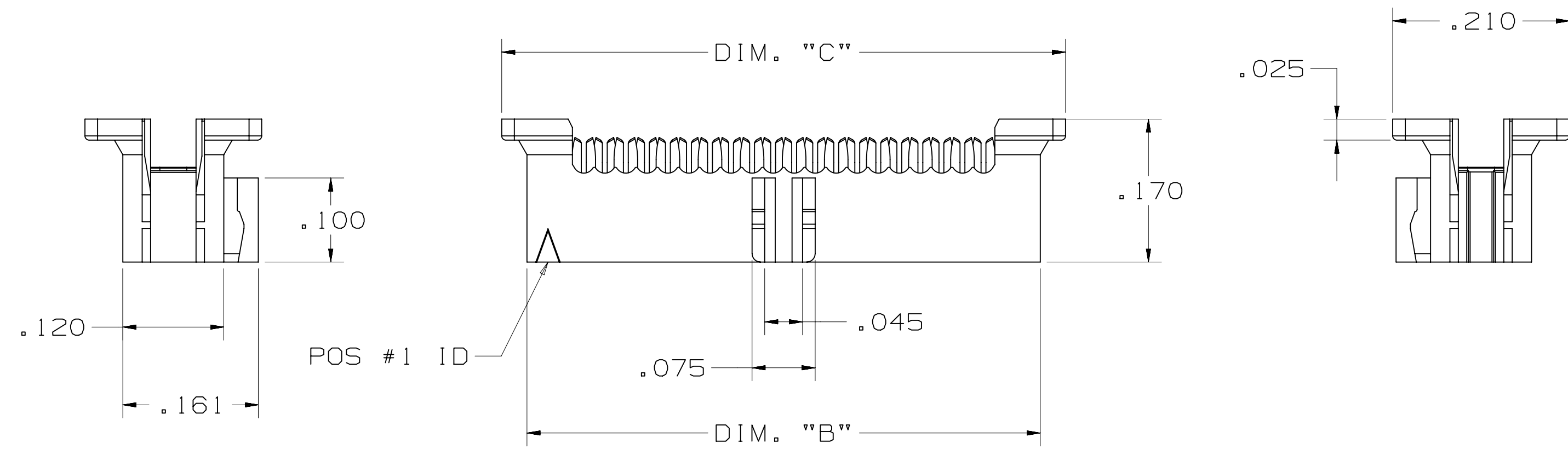
3M™ RIBBON CABLE WIREMOUNT SOCKET ASSEMBLY,  
1.27mm (0.050") PITCH, 451 SERIES

TABLE 1

No. Positions	Dim "A"	Dim "B"	Dim "C"
4	.050	.210	.270
6	.100	.260	.320
8	.150	.310	.370
10	.200	.360	.420
12	.250	.410	.470
14	.300	.460	.520
16	.350	.510	.570
20	.450	.610	.670
30	.700	.860	.920



COVER



ACCESSORY - STRAIN RELIEF  
PART NUMBER 3448-451XX

REV	ECO	ISSUE DATE AND DESCRIPTION	DRFT	CHKD
F	56988	SEP 24, 2014 REVISE PERFORMANCE CHART	JNC	SN
E	54514	MAY 07, 2014 ADD UL LOGO	SJS	SAN
D	51884	JAN 08, 2014 ADD DESIGN REF, UPDATE TITLE, ADD TS REF	SJS	SAN
C	50290	OCT 08, 2013 REVISE NOTES 1, 3, 8 & OPERATING TEMP.	JNC	SN
B	48635	JUL 12, 2013 MATCH TEXT FONTS & ADD NOTE 10	JNC	SN
A	46797	MAR 25, 2013 PRODUCTION RELEASE	JNC	SAN

78-5100-2396-9  
78-5100-2437-1

DESIGN REFERENCE NEXT ASSEMBLY

REV	DATE	APPRV	DATE
ARM	FEB 11, 2011	SAN	FEB 11, 2011

DIVISION CODE

Interconnect Solutions  
SCALE 4/1  
TOLERANCES EXCEPT AS NOTED

THIRD ANGLE PROJECTION  
INCHES  
.0 ± .1  
.00 ± .02  
.000 ± .010  
.0000 ± .005

INTERPRET PER ASME Y14.5 - 2009  
MILLIMETERS  
0 ±  
.0 ±  
.00 ±  
0.00 ±

MAX SURFACE ROUGHNESS  
SURFACES  
MARKED ONLY

3M Center St. Paul, MN 55144  
© 3M COPYRIGHT 2014  
This document and the information it contains are 3M property and may not be reproduced or further distributed without 3M permission, or used or disclosed other than for 3M authorized purposes. All rights reserved.

TITLE  
RIBBON CABLE SOCKET,  
.05 X .05 PITCH, 451  
SERIES

CAGE NUMBER D78-5100-2436-3  
REV. F  
SHT 2 OF 2

78-5100-2436-3  
DRAWING NUMBER  
F  
REVISION  
A  
AM UTC-05:00  
9:01  
FEB 24/2014  
3



Компания «ЭлектроПласт» предлагает заключение долгосрочных отношений при поставках импортных электронных компонентов на взаимовыгодных условиях!

Наши преимущества:

- Оперативные поставки широкого спектра электронных компонентов отечественного и импортного производства напрямую от производителей и с крупнейших мировых складов;
- Поставка более 17-ти миллионов наименований электронных компонентов;
- Поставка сложных, дефицитных, либо снятых с производства позиций;
- Оперативные сроки поставки под заказ (от 5 рабочих дней);
- Экспресс доставка в любую точку России;
- Техническая поддержка проекта, помощь в подборе аналогов, поставка прототипов;
- Система менеджмента качества сертифицирована по Международному стандарту ISO 9001;
- Лицензия ФСБ на осуществление работ с использованием сведений, составляющих государственную тайну;
- Поставка специализированных компонентов (Xilinx, Altera, Analog Devices, Intersil, Interpoint, Microsemi, Aeroflex, Peregrine, Syfer, Eurofarad, Texas Instrument, Miteq, Cobham, E2V, MA-COM, Hittite, Mini-Circuits, General Dynamics и др.);

Помимо этого, одним из направлений компании «ЭлектроПласт» является направление «Источники питания». Мы предлагаем Вам помощь Конструкторского отдела:

- Подбор оптимального решения, техническое обоснование при выборе компонента;
- Подбор аналогов;
- Консультации по применению компонента;
- Поставка образцов и прототипов;
- Техническая поддержка проекта;
- Защита от снятия компонента с производства.



#### Как с нами связаться

**Телефон:** 8 (812) 309 58 32 (многоканальный)

**Факс:** 8 (812) 320-02-42

**Электронная почта:** [org@eplast1.ru](mailto:org@eplast1.ru)

**Адрес:** 198099, г. Санкт-Петербург, ул. Калинина, дом 2, корпус 4, литера А.