

## Phase Control Thyristors (Stud Version), 330 A



TO- 209AE (TO-118)

| PRODUCT SUMMARY   |                   |
|-------------------|-------------------|
| $I_{T(AV)}$       | 330 A             |
| $V_{DRM}/V_{RRM}$ | 400 V, 2000 V     |
| $V_{TM}$          | 1.52 V            |
| $I_{GT}$          | 200 mA            |
| $T_J$             | -40 °C to 125 °C  |
| Package           | TO-209AE (TO-118) |
| Diode variation   | Single SCR        |

### FEATURES

- Center amplifying gate
- International standard case TO-209AE (TO-118)
- Hermetic metal case with ceramic insulator
- Compression bonded encapsulation for heavy duty operations such as severe thermal cycling
- Designed and qualified for industrial level
- Material categorization: for definitions of compliance please see [www.vishay.com/doc?99912](http://www.vishay.com/doc?99912)


**RoHS  
COMPLIANT**

### TYPICAL APPLICATIONS

- DC motor controls
- Controlled DC power supplies
- AC controllers

| MAJOR RATINGS AND CHARACTERISTICS |                 |             |                   |
|-----------------------------------|-----------------|-------------|-------------------|
| PARAMETER                         | TEST CONDITIONS | VALUES      | UNITS             |
| $I_{T(AV)}$                       |                 | 330         | A                 |
|                                   | $T_C$           | 75          | °C                |
| $I_{T(RMS)}$                      |                 | 520         | A                 |
| $I_{TSM}$                         | 50 Hz           | 9000        |                   |
|                                   | 60 Hz           | 9420        |                   |
| $I^2t$                            | 50 Hz           | 405         | kA <sup>2</sup> s |
|                                   | 60 Hz           | 370         |                   |
| $V_{DRM}/V_{RRM}$                 |                 | 400 to 2000 | V                 |
| $t_q$                             | Typical         | 100         | μs                |
| $T_J$                             |                 | -40 to 125  | °C                |

### ELECTRICAL SPECIFICATIONS

| VOLTAGE RATINGS |              |  |  |  |
|-----------------|--------------|--|--|--|
| TYPE NUMBER     | VOLTAGE CODE | $V_{DRM}/V_{RRM}$ , MAXIMUM REPETITIVE PEAK AND OFF-STATE VOLTAGE<br>V | $V_{RSM}$ , MAXIMUM NON-REPETITIVE PEAK VOLTAGE<br>V | $I_{DRM}/I_{RRM}$ MAXIMUM AT $T_J = T_J$ MAXIMUM<br>mA |
| VS-ST330S       | 04           | 400  | 500  | 50   |
|                 | 08           | 800  | 900  |  |
|                 | 12           | 1200   | 1300   |  |
|                 | 16           | 1600   | 1700   |  |
|                 | 20           | 2000   | 2100   |  |



| <b>ABSOLUTE MAXIMUM RATINGS</b>                      |               |   |                           |        |                    |
|--|---------------|---|---------------------------|--------|--------------------|
| PARAMETER  | SYMBOL        | TEST CONDITIONS   |                           | VALUES | UNITS              |
| Maximum average on-state current at case temperature | $I_{T(AV)}$   | 180° conduction, half sine wave   |                           | 330    | A                  |
|  |               |   |                           | 75     | °C                 |
| Maximum RMS on-state current                         | $I_{T(RMS)}$  | DC at 75 °C case temperature  |                           | 520    |                    |
| Maximum peak, one-cycle non-repetitive surge current | $I_{TSM}$     | t = 10 ms   | No voltage reapplied      | 9000   | A                  |
|  |               | t = 8.3 ms  |                           | 9420   |                    |
|  |               | t = 10 ms   | 100 % $V_{RRM}$ reapplied | 7570   |                    |
|  |               | t = 8.3 ms  |                           | 7920   |                    |
| Maximum $I^2t$ for fusing                            | $I^2t$        | t = 10 ms   | No voltage reapplied      | 405    | kA <sup>2</sup> s  |
|  |               | t = 8.3 ms  |                           | 370    |                    |
|  |               | t = 10 ms   | 100 % $V_{RRM}$ reapplied | 287    |                    |
|  |               | t = 8.3 ms  |                           | 262    |                    |
| Maximum $I^2\sqrt{t}$ for fusing                     | $I^2\sqrt{t}$ | t = 0.1 to 10 ms, no voltage reapplied  |                           | 4050   | kA <sup>2</sup> √s |
| Low level value of threshold voltage                 | $V_{T(TO)1}$  | (16.7 % $\times \pi \times I_{T(AV)} < I < \pi \times I_{T(AV)}$ , $T_J = T_J$ maximum) |                           | 0.834  | V                  |
| High level value of threshold voltage                | $V_{T(TO)2}$  | (I > $\pi \times I_{T(AV)}$ , $T_J = T_J$ maximum)                                      |                           | 0.898  |                    |
| Low level value of on-state slope resistance         | $r_{t1}$      | (16.7 % $\times \pi \times I_{T(AV)} < I < \pi \times I_{T(AV)}$ , $T_J = T_J$ maximum) |                           | 0.687  | mΩ                 |
| High level value of on-state slope resistance        | $r_{t2}$      | (I > $\pi \times I_{T(AV)}$ , $T_J = T_J$ maximum)                                      |                           | 0.636  |                    |
| Maximum on-state voltage                             | $V_{TM}$      | $I_{pk} = 1000$ A, $T_J = T_J$ maximum, $t_p = 10$ ms sine pulse                        |                           | 1.52   | V                  |
| Maximum holding current                              | $I_H$         | $T_J = 25$ °C, anode supply 12 V resistive load   |                           | 600    | mA                 |
| Typical latching current                             | $I_L$         |   |                           | 1000   |                    |

| <b>SWITCHING</b>   |         |  |  |        |       |
|--|---------|--|--|--------|-------|
| PARAMETER  | SYMBOL  | TEST CONDITIONS  |  | VALUES | UNITS |
| Maximum non-repetitive rate of rise of turned-on current | $di/dt$ | Gate drive 20 V, 20 Ω, $t_r \leq 1$ μs<br>$T_J = T_J$ maximum, anode voltage $\leq 80$ % $V_{DRM}$                           |  | 1000   | A/μs  |
| Typical delay time                                       | $t_d$   | Gate current A, $di_g/dt = 1$ A/μs<br>$V_d = 0.67$ % $V_{DRM}$ , $T_J = 25$ °C   |  | 1.0    | μs    |
| Typical turn-off time                                    | $t_q$   | $I_{TM} = 550$ A, $T_J = T_J$ maximum, $di/dt = 40$ A/μs,<br>$V_R = 50$ V, $dV/dt = 20$ V/μs, gate 0 V 100 Ω, $t_p = 500$ μs |  | 100    |       |

| <b>BLOCKING</b>                                    |                          |  |  |        |       |
|--|--------------------------|--|--|--------|-------|
| PARAMETER  | SYMBOL                   | TEST CONDITIONS                                      |  | VALUES | UNITS |
| Maximum critical rate of rise of off-state voltage | $dV/dt$                  | $T_J = T_J$ maximum linear to 80 % rated $V_{DRM}$   |  | 500    | V/μs  |
| Maximum peak reverse and off-state leakage current | $I_{RRM}$ ,<br>$I_{DRM}$ | $T_J = T_J$ maximum, rated $V_{DRM}/V_{RRM}$ applied |  | 50     | mA    |



| <b>TRIGGERING</b>                   |             |  |  |        |      |       |
|-------------------------------------|-------------|--|--|--------|------|-------|
| PARAMETER                           | SYMBOL      | TEST CONDITIONS                              |  | VALUES |      | UNITS |
|                                     |             |  |  | TYP.   | MAX. |       |
| Maximum peak gate power             | $P_{GM}$    | $T_J = T_J$ maximum, $t_p \leq 5$ ms         |  | 10.0   |      | W     |
| Maximum average gate power          | $P_{G(AV)}$ | $T_J = T_J$ maximum, $f = 50$ Hz, $d\% = 50$ |  | 2.0    |      |       |
| Maximum peak positive gate current  | $I_{GM}$    | $T_J = T_J$ maximum, $t_p \leq 5$ ms         |  | 3.0    |      | A     |
| Maximum peak positive gate voltage  | $+V_{GM}$   | $T_J = T_J$ maximum, $t_p \leq 5$ ms         |  | 20     |      | V     |
| Maximum peak negative gate voltage  | $-V_{GM}$   |  |  | 5.0    |      |       |
| DC gate current required to trigger | $I_{GT}$    | $T_J = -40$ °C                               | Maximum required gate trigger/ current/voltage are the lowest value which will trigger all units 12 V anode to cathode applied                 | 200    | -    | mA    |
|                                     |             | $T_J = 25$ °C                                |  | 100    | 200  |       |
|                                     |             | $T_J = 125$ °C                               |  | 50     | -    |       |
| DC gate voltage required to trigger | $V_{GT}$    | $T_J = -40$ °C                               |  | 2.5    | -    | V     |
|                                     |             | $T_J = 25$ °C                                |  | 1.8    | 3    |       |
|                                     |             | $T_J = 125$ °C                               |  | 1.1    | -    |       |
| DC gate current not to trigger      | $I_{GD}$    | $T_J = T_J$ maximum                          | Maximum gate current/voltage not to trigger is the maximum value which will not trigger any unit with rated $V_{DRM}$ anode to cathode applied | 10     |      | mA    |
| DC gate voltage not to trigger      | $V_{GD}$    |  |  | 0.25   |      | V     |

| <b>THERMAL AND MECHANICAL SPECIFICATIONS</b> |              |  |                   |                     |
|--|--------------|--|-------------------|---------------------|
| PARAMETER                                    | SYMBOL       | TEST CONDITIONS                              | VALUES            | UNITS               |
| Maximum operating junction temperature range | $T_J$        |  | -40 to 125        | °C                  |
| Maximum storage temperature range            | $T_{Stg}$    |  | -40 to 150        |                     |
| Maximum thermal resistance, junction to case | $R_{thJC}$   | DC operation                                 | 0.10              | K/W                 |
| Maximum thermal resistance, case to heatsink | $R_{thC-hs}$ | Mounting surface, smooth, flat and greased   | 0.03              |                     |
| Mounting torque, $\pm 10$ %                  |              | Non-lubricated threads                       | 48.5<br>(425)     | N · m<br>(lbf · in) |
| Approximate weight                           |              |  | 535               | g                   |
| Case style                                   |              | See dimension - link at the end of datasheet | TO-209AE (TO-118) |                     |

| <b><math>\Delta R_{thJC}</math> CONDUCTION</b> |                       |                        |                     |       |
|--|-----------------------|------------------------|---------------------|-------|
| CONDUCTION ANGLE                               | SINUSOIDAL CONDUCTION | RECTANGULAR CONDUCTION | TEST CONDITIONS     | UNITS |
| 180°   | 0.011                 | 0.008                  | $T_J = T_J$ maximum | K/W   |
| 120°   | 0.013                 | 0.014                  |                     |       |
| 90°  | 0.017                 | 0.018                  |                     |       |
| 60°  | 0.025                 | 0.026                  |                     |       |
| 30°  | 0.041                 | 0.042                  |                     |       |

**Note**

- The table above shows the increment of thermal resistance  $R_{thJC}$  when devices operate at different conduction angles than DC

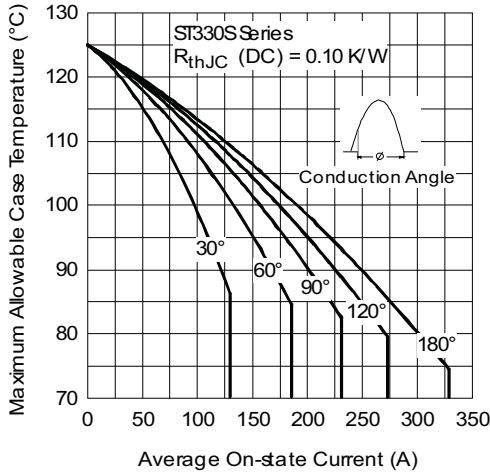


Fig. 1 - Current Ratings Characteristics

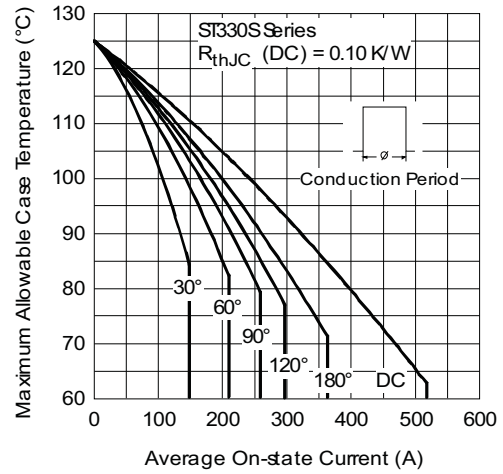


Fig. 2 - Current Ratings Characteristics

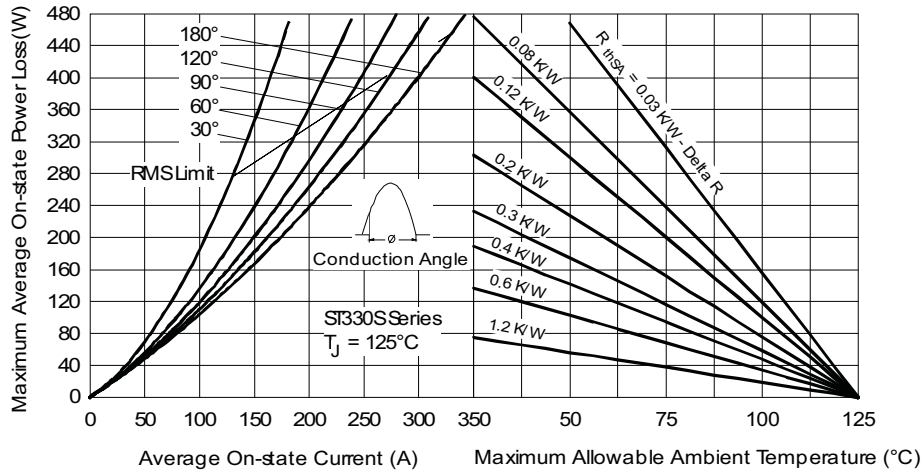


Fig. 3 - On-State Power Loss Characteristics

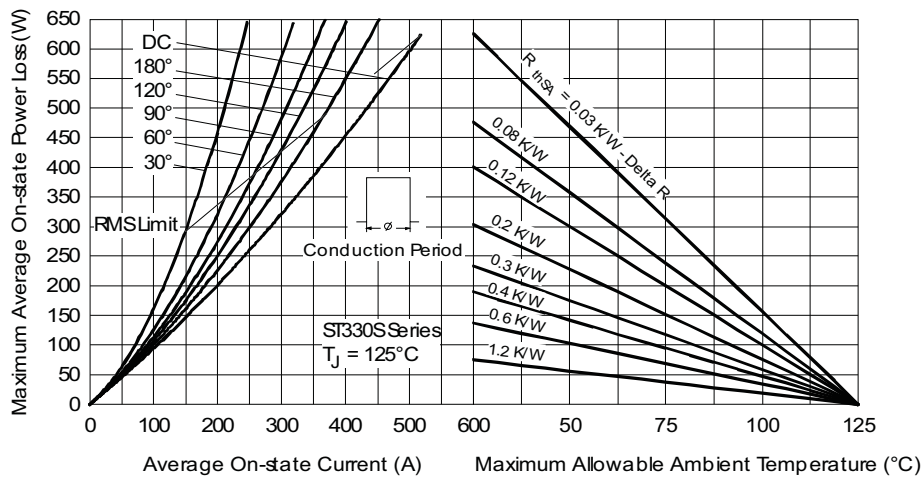


Fig. 4 - On-State Power Loss Characteristics

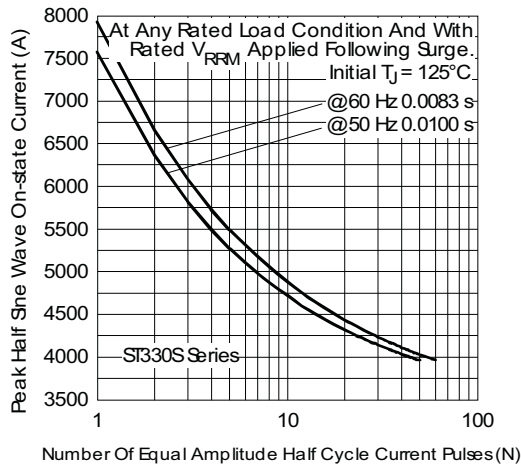


Fig. 5 - Maximum Non-Repetitive Surge Current

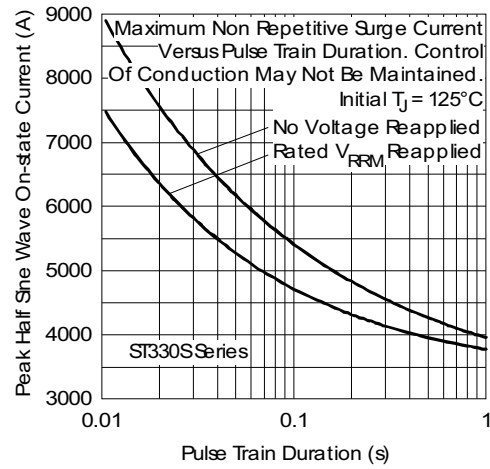


Fig. 6 - Maximum Non-Repetitive Surge Current

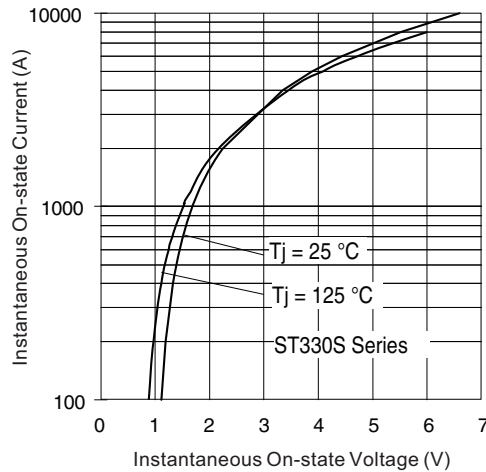


Fig. 7 - On-State Voltage Drop Characteristics

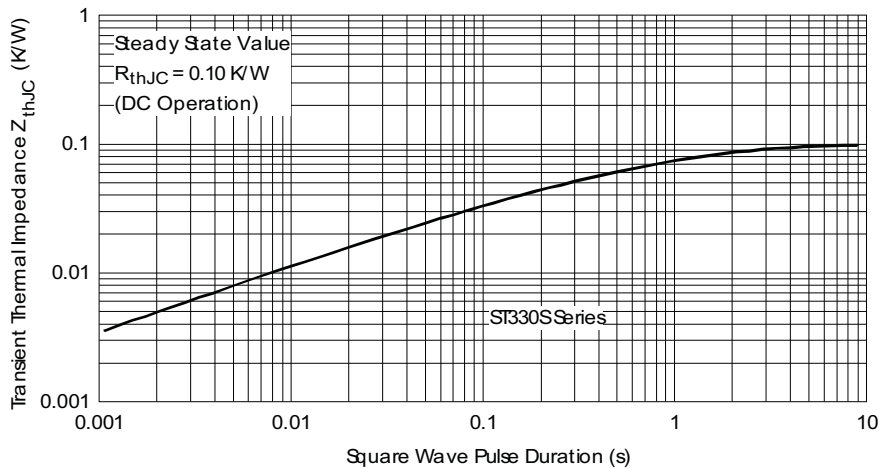


Fig. 8 - Thermal Impedance  $Z_{thJC}$  Characteristics

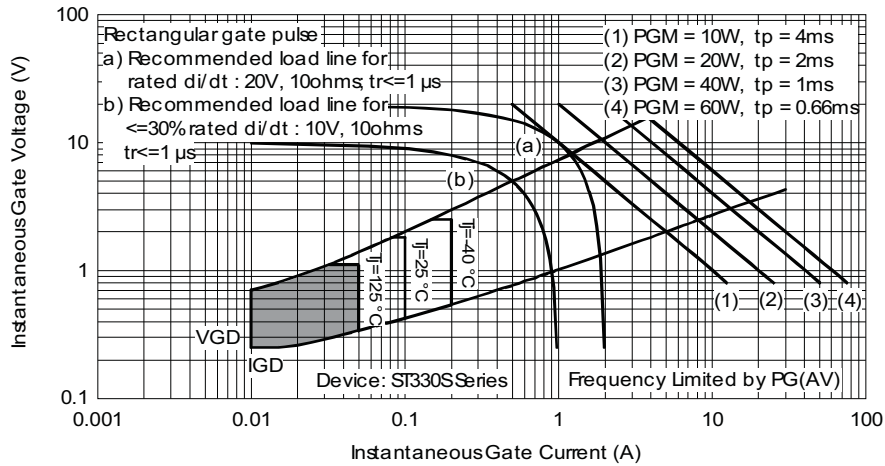


Fig. 9 - Gate Characteristics

**ORDERING INFORMATION TABLE**

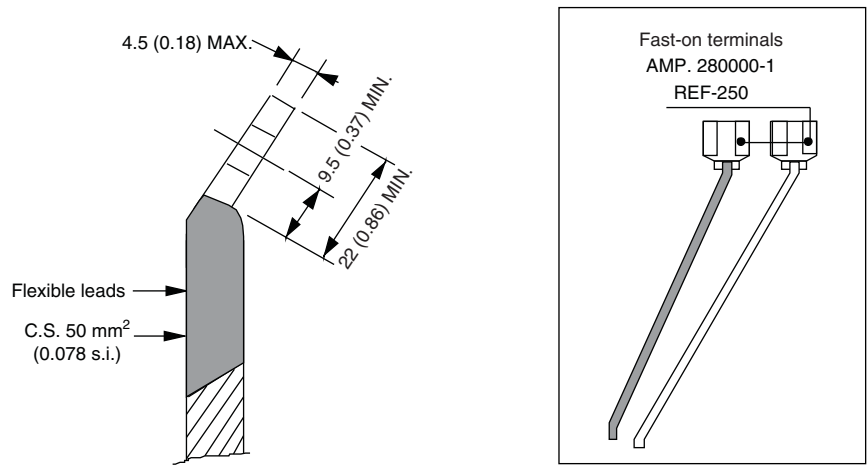
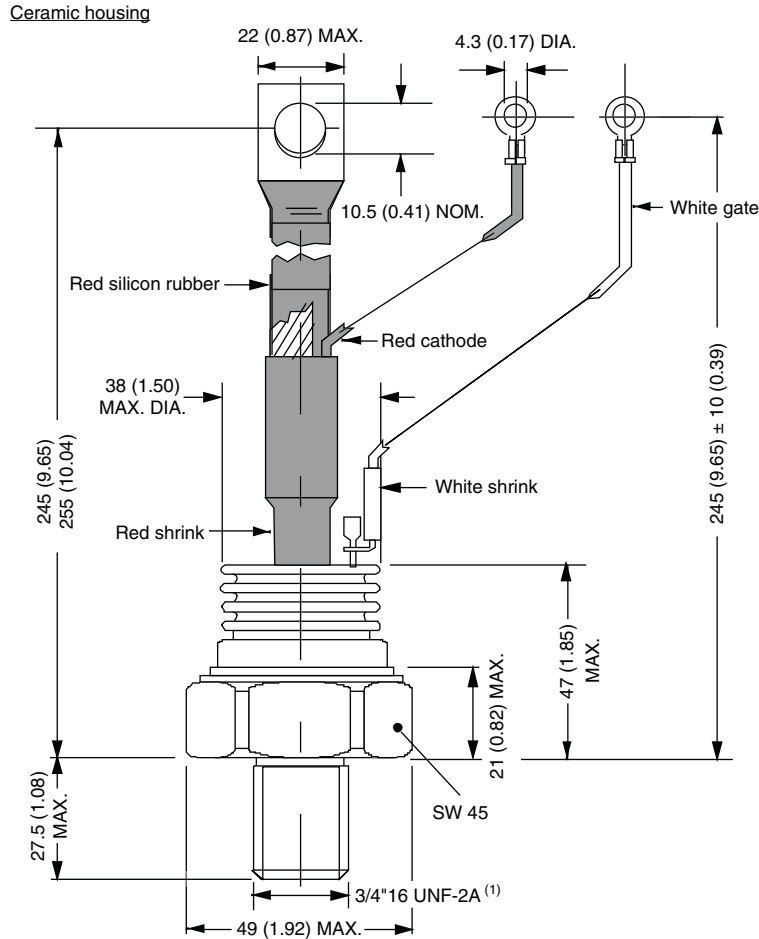
|             |            |           |           |          |          |           |          |          |            |
|-------------|------------|-----------|-----------|----------|----------|-----------|----------|----------|------------|
| Device code | <b>VS-</b> | <b>ST</b> | <b>33</b> | <b>0</b> | <b>S</b> | <b>16</b> | <b>P</b> | <b>0</b> | <b>PbF</b> |
|             | (1)        | (2)       | (3)       | (4)      | (5)      | (6)       | (7)      | (8)      | (9)        |

- 1** - Vishay Semiconductors product
- 2** - Thyristor
- 3** - Essential part number
- 4** - 0 = Converter grade
- 5** - S = Compression bonding stud
- 6** - Voltage code x 100 =  $V_{RRM}$  (see Voltage Ratings table)
- 7** - P = Stud base 3/4"-16UNF-2A threads
- 8** - 0 = Eyelet terminals (gate and auxiliary cathode leads)  
1 = Fast-on terminals (gate and auxiliary cathode leads)
- 9** - None = Standard production  
- PbF = Lead (Pb)-free

| LINKS TO RELATED DOCUMENTS |  |
|----------------------------|--|
| Dimensions                 | <a href="http://www.vishay.com/doc?95080">www.vishay.com/doc?95080</a> |

## TO-209AE (TO-118)

**DIMENSIONS** in millimeters (inches)



**Note**

<sup>(1)</sup> For metric device: M24 x 1.5 - length 21 (0.83) maximum



## Disclaimer

ALL PRODUCT, PRODUCT SPECIFICATIONS AND DATA ARE SUBJECT TO CHANGE WITHOUT NOTICE TO IMPROVE RELIABILITY, FUNCTION OR DESIGN OR OTHERWISE.

Vishay Intertechnology, Inc., its affiliates, agents, and employees, and all persons acting on its or their behalf (collectively, "Vishay"), disclaim any and all liability for any errors, inaccuracies or incompleteness contained in any datasheet or in any other disclosure relating to any product.

Vishay makes no warranty, representation or guarantee regarding the suitability of the products for any particular purpose or the continuing production of any product. To the maximum extent permitted by applicable law, Vishay disclaims (i) any and all liability arising out of the application or use of any product, (ii) any and all liability, including without limitation special, consequential or incidental damages, and (iii) any and all implied warranties, including warranties of fitness for particular purpose, non-infringement and merchantability.

Statements regarding the suitability of products for certain types of applications are based on Vishay's knowledge of typical requirements that are often placed on Vishay products in generic applications. Such statements are not binding statements about the suitability of products for a particular application. It is the customer's responsibility to validate that a particular product with the properties described in the product specification is suitable for use in a particular application. Parameters provided in datasheets and/or specifications may vary in different applications and performance may vary over time. All operating parameters, including typical parameters, must be validated for each customer application by the customer's technical experts. Product specifications do not expand or otherwise modify Vishay's terms and conditions of purchase, including but not limited to the warranty expressed therein.

Except as expressly indicated in writing, Vishay products are not designed for use in medical, life-saving, or life-sustaining applications or for any other application in which the failure of the Vishay product could result in personal injury or death. Customers using or selling Vishay products not expressly indicated for use in such applications do so at their own risk. Please contact authorized Vishay personnel to obtain written terms and conditions regarding products designed for such applications.

No license, express or implied, by estoppel or otherwise, to any intellectual property rights is granted by this document or by any conduct of Vishay. Product names and markings noted herein may be trademarks of their respective owners.

## Material Category Policy

**Vishay Intertechnology, Inc. hereby certifies that all its products that are identified as RoHS-Compliant fulfill the definitions and restrictions defined under Directive 2011/65/EU of The European Parliament and of the Council of June 8, 2011 on the restriction of the use of certain hazardous substances in electrical and electronic equipment (EEE) - recast, unless otherwise specified as non-compliant.**

**Please note that some Vishay documentation may still make reference to RoHS Directive 2002/95/EC. We confirm that all the products identified as being compliant to Directive 2002/95/EC conform to Directive 2011/65/EU.**

**Vishay Intertechnology, Inc. hereby certifies that all its products that are identified as Halogen-Free follow Halogen-Free requirements as per JEDEC JS709A standards. Please note that some Vishay documentation may still make reference to the IEC 61249-2-21 definition. We confirm that all the products identified as being compliant to IEC 61249-2-21 conform to JEDEC JS709A standards.**





Компания «ЭлектроПласт» предлагает заключение долгосрочных отношений при поставках импортных электронных компонентов на взаимовыгодных условиях!

Наши преимущества:

- Оперативные поставки широкого спектра электронных компонентов отечественного и импортного производства напрямую от производителей и с крупнейших мировых складов;
- Поставка более 17-ти миллионов наименований электронных компонентов;
- Поставка сложных, дефицитных, либо снятых с производства позиций;
- Оперативные сроки поставки под заказ (от 5 рабочих дней);
- Экспресс доставка в любую точку России;
- Техническая поддержка проекта, помощь в подборе аналогов, поставка прототипов;
- Система менеджмента качества сертифицирована по Международному стандарту ISO 9001;
- Лицензия ФСБ на осуществление работ с использованием сведений, составляющих государственную тайну;
- Поставка специализированных компонентов (Xilinx, Altera, Analog Devices, Intersil, Interpoint, Microsemi, Aeroflex, Peregrine, Syfer, Eurofarad, Texas Instrument, Miteq, Cobham, E2V, MA-COM, Hittite, Mini-Circuits, General Dynamics и др.);

Помимо этого, одним из направлений компании «ЭлектроПласт» является направление «Источники питания». Мы предлагаем Вам помощь Конструкторского отдела:

- Подбор оптимального решения, техническое обоснование при выборе компонента;
- Подбор аналогов;
- Консультации по применению компонента;
- Поставка образцов и прототипов;
- Техническая поддержка проекта;
- Защита от снятия компонента с производства.



#### Как с нами связаться

**Телефон:** 8 (812) 309 58 32 (многоканальный)

**Факс:** 8 (812) 320-02-42

**Электронная почта:** [org@eplast1.ru](mailto:org@eplast1.ru)

**Адрес:** 198099, г. Санкт-Петербург, ул. Калинина, дом 2, корпус 4, литера А.