

1/4-Inch Color CMOS NTSC/PAL Digital Image SOC with Overlay Processor

ASX340AT Datasheet, Rev. 9

For the latest datasheet, please visit www.onsemi.com

Features

- Low-power CMOS image sensor with integrated image flow processor (IFP) and video encoder
- 1/4-inch optical format, VGA resolution (640H x 480V)
- 2x upscaling zoom and pan control
- ± 40 additional columns and ± 36 additional rows to compensate for lens alignment tolerances
- Option to use single 2.8 V power supply with off-chip bypass transistor
- Overlay generator for dynamic bitmap overlay
- Integrated video encoder for NTSC/PAL with overlay capability and 10-bit I-DAC
- Integrated microcontroller for flexibility
- On-chip image flow processor performs sophisticated processing, such as color recovery and correction, sharpening, gamma, lens shading correction, on-the-fly defect correction, auto white balancing, and auto exposure
- Auto black-level calibration
- 10-bit, on-chip analog-to-digital converter (ADC)
- Internal master clock generated by on-chip phase-locked loop (PLL)
- Two-wire serial programming interface
- Interface to low-cost EEPROM and Flash through SPI bus
- High-level host command interface
- Stand-alone operation support
- Comprehensive tool support for overlay generation and lens correction setup
- Development system with DevWare

Applications

- Automotive rear view camera and side mirror
- Blind spot and surround view

Table 1: Key Parameters

| Parameter | Typical Value |
|-----------------------------|---|
| Pixel size and type | 5.6 μm x 5.6 μm active pinned-photodiode with high-sensitivity mode for low-light conditions |
| Sensor clear pixels | 728H x 560V (includes VGA active pixels, demosaic and lens alignment pixels) |
| NTSC output | 720H x 487V |
| PAL output | 720H x 576V |
| Optical area (clear pixels) | 4.077 mm x 3.136 mm |
| Optical format | 1/4-inch |
| Frame rate | 50/60 fields/sec |
| Sensor scan mode | Progressive scan |
| Color filter array | RGB standard Bayer |
| Chief ray angle (CRA) | 0° |
| Shutter type | Electronic rolling shutter (ERS) |
| Automatic Functions | Exposure, white balance, black level offset correction, flicker detection and avoidance, color saturation control, on-the-fly defect correction, aperture correction |
| Programmable Controls | Exposure, white balance, horizontal and vertical blanking, color, sharpness, gamma correction, lens shading correction, horizontal and vertical image flip, zoom, windowing, sampling rates, GPIO control |

Key parameters are continued on next page.

See “New Features” on page 3.

See “Ordering Information” on page 3

Table 2: Key Parameters (continued)

| Parameter | | Typical Value |
|----------------------------------|---------------------|---|
| Overlay Support | | Utilizes SPI interface to load overlay data from external flash/EEPROM memory with the following features: <ul style="list-style-type: none"> •Available in Analog output and BT656 Digital output •Overlay Size 360 x 480 pixel rendered into 720 x 480 (NTSC) or 720 x 576 (PAL) •Up to four (4) overlays may be blended simultaneously •Selectable readout: Rotating order user-selected •Dynamic scenes by loading pre-rendered frames from external memory •Palette of 32 colors out of 64,000 •8 colors per bitmap •Blend factor dynamically-programmable for smooth transitions •Fast update rate of up to 30 fps •Every bitmap object has independent x/y position •Statistic Engine to calibrate optical alignment •Number Generator |
| Windowing | | Programmable to any size |
| Analog gain range | | 0.5–16x |
| ADC | | 10-bit, on-chip |
| Output interface | | Analog composite video out, single-ended or differential; 8-, 10-bit parallel digital output |
| Output data formats ¹ | | Digital: Raw Bayer 8-,10-bit, CCIR656, 565RGB, 555RGB, 444RGB |
| Data rate | | Parallel: 27 MHz Pixel clock |
| | | NTSC: 60 fields/sec |
| | | PAL: 50 fields/sec |
| Control interface | | Two-wire I/F for register interface plus high-level command exchange. SPI port to interface to external memory to load overlay data, register settings, or firmware extensions. |
| Input clock for PLL | | 27 MHz |
| SPI Clock Frequencies | | 1.6875 – 18 MHz, programmable |
| Supply voltage | | Analog: 2.8V ± 5% |
| | | Core: 1.8 V ± 5% (2.8V ± 5% power supply with off-chip bypass transistor generates a 1.70 - 1.95 V core voltage supply, which is acceptable for performance.) |
| | | IO: 2.8 V ± 5% |
| Power consumption | Analog output only | Full resolution at 60 fps: 291 mW |
| | Digital output only | Full resolution at 60 fps: 192 mW |
| Package | | 63-BGA, 7.5 mm x 7.5 mm, 0.65mm pin pitch |
| Ambient temperature | | Operating: -40 °C to 105 °C |
| | | Functional: -40 °C to + 85 °C |
| | | Storage: -50°C to + 150°C |
| Dark Current | | < 200 e/s at 60 °C with a gain of 1 |
| Fixed pattern noise | Column | < 2 % |
| | Row | < 2 % |
| Responsivity | | 16.5 V/lux-s at 550 nm |
| Signal to noise ratio (S/N) | | 46 dB |
| Pixel dynamic range | | 87 dB |

New Features

- Temperature sensor for dynamic feedback and sensor control
- Automatic 50Hz/60Hz flicker detection
- 2x upscaling zoom and pan/tilt control
- Independent control of colorburst parameters in the NTSC/PAL encoder
- Horizontal field of view adjustment between 700 and 720 pixels on the analog output
- Option to use single 2.8V power supply with off-chip bypass transistor
- SPI EEPROM support for lower cost system design.

Ordering Information

Table 3: Available Part Numbers

| Part Number | Product Description | Orderable Product Attribute Description |
|-------------------------|-------------------------------------|---|
| ASX340AT2C00XPED0-DPBR | Rev2, Color, 0deg CRA, iBGA Package | Drypack, Protective Film, Anti-Reflective Glass |
| ASX340AT2C00XPED0-DRBR | Rev2, Color, 0deg CRA, iBGA Package | Drypack, Anti-Reflective Glass |
| ASX340AT2C00XPED0-TPBR | Rev2, Color, 0deg CRA, iBGA Package | Tape & Reel, Protective Film, Anti-Reflective Glass |
| ASX340AT2C00XPED0-TRBR | Rev2, Color, 0deg CRA, iBGA Package | Tape & Reel, Anti-Reflective Glass |
| ASX340AT2C00XPEDD3-GEVK | Rev2, Color, Demo Kit | |
| ASX340AT2C00XPEDH3-GEVB | Rev2, Color, Head Board | |
| ASX340AT3C00XPED0-DPBR | Rev3, Color, 0deg CRA, iBGA Package | Drypack, Protective Film, Anti-Reflective Glass |
| ASX340AT3C00XPED0-DRBR | Rev3, Color, 0deg CRA, iBGA Package | Drypack, Anti-Reflective Glass |
| ASX340AT3C00XPED0-TPBR | Rev3, Color, 0deg CRA, iBGA Package | Tape & Reel, Protective Film, Anti-Reflective Glass |
| ASX340AT3C00XPED0-TRBR | Rev3, Color, 0deg CRA, iBGA Package | Tape & Reel, Anti-Reflective Glass |
| ASX340AT3C00XPEDD3-GEVK | Rev 3, Color, Demo Kit | |
| ASX340AT3C00XPEDH3-GEVB | Rev 3, Color, Head Board | |

See the ON Semiconductor Device Nomenclature document (TND310/D) for a full description of the naming convention used for image sensors. For reference documentation, including information on evaluation kits, please visit our web site at www.onsemi.com.

Table of Contents

Features 1

Applications 1

New Features 3

Ordering Information 3

General Description 5

Architecture 5

Pin Descriptions and Assignments 8

SOC Description 12

Sensor Pixel Array 14

System Configuration and Usage Modes 23

Multicamera Support 24

External Signal Processing 25

Slave Two-Wire Serial Interface 35

Overlay Capability 40

NVM Partition 41

Overlay Adjustment 42

Overlay Character Generator 43

Modes and Timing 47

Electrical Specifications 60

Spectral Characteristics 70

General Description

The ON Semiconductor ASX340AT is a VGA-format, single-chip CMOS active-pixel digital image sensor for automotive applications. It captures high-quality color images at VGA resolution and outputs NTSC or PAL interlaced composite video.

The VGA CMOS image sensor features ON Semiconductor’s breakthrough low-noise imaging technology that achieves superior image quality (based on signal-to-noise ratio and low-light sensitivity) while maintaining the inherent size, cost, low power, and integration advantages of ON Semiconductor’s advanced active pixel CMOS process technology.

The ASX340AT is a complete camera-on-a-chip. It incorporates sophisticated camera functions on-chip and is programmable through a simple two-wire serial interface or by an attached SPI EEPROM or Flash memory that contains setup information that may be loaded automatically at startup.

The ASX340AT performs sophisticated processing functions including color recovery, color correction, sharpening, programmable gamma correction, auto black reference clamping, auto exposure, 50Hz/60Hz flicker detection and avoidance, lens shading correction, auto white balance (AWB), and on-the-fly defect identification and correction.

The ASX340AT outputs interlaced-scan images at 60 or 50 fields per second, supporting both NTSC and PAL video formats. The image data can be output on one or two output ports:

- Composite analog video (single-ended and differential output support)
- Parallel 8-, 10-bit digital

Architecture

Internal Block Diagram

Figure 1: Internal Block Diagram



System Block Diagram

The system block diagram will depend on the application. The system block diagram in Figure 2 shows all components; optional peripheral components are highlighted. Control information will be received by a microcontroller through the automotive bus to communicate with the ASX340AT through its two-wire serial bus. Optional components will vary by application.

Figure 2: System Block Diagram



Crystal Usage

As an alternative to using an external oscillator, a fundamental 27 MHz crystal may be connected between EXTCLK and XTAL. Two small loading capacitors of 10–22 pF of NPO dielectric should be added as shown in Figure 3.

ON Semiconductor does not recommend using the crystal option for applications above 85°C. A crystal oscillator with temperature compensation is recommended.

Figure 3: Using a Crystal Instead of an External Oscillator



Note: Value of load capacitor is crystal dependent. Crystal with small load capacitor is recommended.

Pin Descriptions and Assignments

Table 4: Pin Descriptions

| Pin Number | Pin Name | Type | Description |
|-------------------------------------|-------------|--------------|---|
| Clock and Reset | | | |
| A2 | EXTCLK | Input | Master input clock (27MHz): This can either be a square-wave generated from an oscillator (in which case the XTAL input must be left unconnected) or connected directly to a crystal. |
| B1 | XTAL | Output | If EXTCLK is connected to one pin of a crystal, this signal is connected to the other pin; otherwise this signal must be left unconnected. |
| D2 | RESET_BAR | Input | Asynchronous active-low reset: When asserted, the device will return all interfaces to their reset state. When released, the device will initiate the boot sequence. This signal has an internal pull-up resistor. |
| E1 | FRAME_SYNC | Input | This input can be used to set the output timing of the ASX340AT to a fixed point in the frame. The input buffer associated with this input is permanently enabled. This signal must be connected to GND if not used. |
| Register Interface | | | |
| F1 | SCLK | Input | These two signals implement the serial communications protocol for access to the internal registers and variables. |
| F2 | SDATA | Input/Output | |
| E2 | SADDR | Input | This signal controls the device ID that will respond to serial communication commands. Two-wire serial interface device ID selection: 0: 0x90 1: 0xBA |
| SPI Interface | | | |
| D4 | SPI_SCLK | Output | Clock output for interfacing to an external SPI memory such as Flash/EEPROM. Tri-state when RESET_BAR is asserted. |
| E4 | SPI_SDI | Input | Data in from SPI device. This signal has an internal pull-up resistor. |
| H3 | SPI_SDO | Output | Data out to SPI device. Tri-state when RESET_BAR is asserted. |
| H2 | SPI_CS_N | Output | Chip selects to SPI device. Tri-state when RESET_BAR is asserted. |
| (Parallel) Pixel Data Output | | | |
| F7 | FRAME_VALID | Input/Output | Pixel data from the ASX340AT can be routed out on this interface and processed externally. To save power, these signals are driven to a constant logic level unless the parallel pixel data output or alternate (GPIO) function is enabled for these pins. This interface is disabled by default. The slew rate of these outputs is programmable. These signals can also be used as general purpose input/outputs. |
| G7 | LINE_VALID | Input/Output | |
| E6 | PIXCLK | Output | |
| F8, D6, D7, C6, C7, B6, B7, A6 | DOUT[7:0] | Output | |
| B3 | DOUT_LSB1 | Input/Output | |
| C2 | DOUT_LSB0 | Input/Output | When the sensor core is running in bypass mode, it will generate 10 bits of output data per pixel. These two pins make the two LSB of pixel data available externally. Leave DOUT_LSB1 and DOUT_LSB0 unconnected if not used. To save power, these signals are driven to a constant logic level unless the sensor core is running in bypass mode or the alternate function is enabled for these pins. The slew rate of these outputs is programmable. |

Table 4: Pin Descriptions (continued)

| Pin Number | Pin Name | Type | Description |
|-------------------------------------|-----------|--------------|--|
| Composite Video Output | | | |
| F5 | DAC_POS | Output | Positive video DAC output in differential mode. Video DAC output in single-ended mode. This interface is enabled by default using NTSC/PAL signaling. For applications where composite video output is not required, the video DAC can be placed in a power-down state under software control. |
| G5 | DAC_NEG | Output | Negative video DAC output in differential mode. |
| A4 | DAC_REF | Output | External reference resistor for the video DAC. |
| Manufacturing Test Interface | | | |
| D3 | TDI | Input | JTAG Test pin (Reserved for Test Mode) |
| G2 | TDO | Output | JTAG Test pin (Reserved for Test Mode) |
| F3 | TMS | Input | JTAG Test pin (Reserved for Test Mode) |
| C3 | TCK | Input | JTAG Test pin (Reserved for Test Mode) |
| C4 | TRST_N | Input | Connect to GND. |
| G6 | ATEST1 | Input | Analog test input. Connect to GND in normal operation. |
| F6 | ATEST2 | Input | Analog test input. Connect to GND in normal operation. |
| GPIO | | | |
| C1 | GPIO12 | Input/Output | Dedicated general-purpose input/output pin. |
| A3 | GPIO13 | Input/Output | Dedicated general-purpose input/output pin. |
| Power | | | |
| G4 | VREG_BASE | Supply | Voltage regulator control. Leave floating if not used. |
| A5, A7, D8, E7, G1, G3 | VDD | Supply | Supply for VDD core: 1.8V nominal. Can be connected to the output of the transistor of the off-chip bypass transistor or an external 1.8V power supply. |
| B2, B8, C8, E3, E8, G8, H8 | VDD_IO | Supply | Supply for digital IOs: 2.8V nominal. |
| H5 | VDD_DAC | Supply | Supply for video DAC: 2.8V nominal. |
| A8 | VDD_PLL | Supply | Supply for PLL: 2.8V nominal. |
| B4, H6 | VAA | Supply | Analog power: 2.8V nominal. |
| H7 | VAA_PIX | Supply | Analog pixel array power: 2.8V nominal. Must be at same voltage potential as VAA. |
| H4 | Reserved | | Leave floating for normal operation. |
| B5, C5, D1, D5, H1 | DGND | Supply | Digital ground. |
| E5, F4 | AGND | Supply | Analog ground. |

Pin Assignments

Pin 1 is not populated with a ball. That allows the device to be identified by an additional marking.

Table 5: Pin Assignments

| | 1 | 2 | 3 | 4 | 5 | 6 | 7 | 8 |
|---|------------|-----------|-----------|-----------|---------|--------|-------------|---------|
| A | | EXTCLK | GPIO13 | DAC_REF | VDD | DOUT0 | VDD | VDD_PLL |
| B | XTAL | VDD_IO | DOUT_LSB1 | VAA | GND | DOUT2 | DOUT1 | VDD_IO |
| C | GPIO12 | DOUT_LSB0 | TCK | TRST_N | GND | DOUT4 | DOUT3 | VDD_IO |
| D | GND | RESET_BAR | TDI | SPI_SCLK | GND | DOUT6 | DOUT5 | VDD |
| E | FRAME_SYNC | SADDR | VDD_IO | SPI_SDI | AGND | PIXCLK | VDD | VDD_IO |
| F | SCLK | SDATA | TMS | AGND | DAC_POS | ATEST2 | FRAME_VALID | DOUT7 |
| G | VDD | TDO | VDD | VREG_BASE | DAC_NEG | ATEST1 | LINE_VALID | VDD_IO |
| H | GND | SPI_CS_N | SPI_SDO | Reserved | VDD_DAC | VAA | VAA_PIX | VDD_IO |

Table 6: Reset/Default State of Interfaces

| Name | Reset State | Default State | Notes |
|-------------|---------------------------|--------------------------|--|
| EXTCLK | Clock running or stopped | Clock running | Input |
| XTAL | N/A | N/A | Input |
| RESET_BAR | Asserted | De-asserted | Input |
| SCLK | N/A | N/A | Input. Must always be driven to high via a pull-up resistor in the range of 1.5 to 4.7 kΩ. |
| SDATA | High impedance | High impedance | Input/Output. Must always be driven to high via a pull-up resistor in the range of 1.5 to 4.7 kΩ. |
| SADDR | N/A | N/A | Input. Must be permanently tied to VDD_IO or GND. |
| SPI_SCLK | High impedance. | Driven, logic 0 | Output. Output enable is R0x0032[13]. |
| SPI_SDI | Internal pull-up enabled. | Internal pull-up enabled | Input. Internal pull-up is permanently enabled. |
| SPI_SDO | High impedance | Driven, logic 0 | Output enable is R0x0032[13]. |
| SPI_CS_N | High impedance | Driven, logic 1 | Output enable is R0x0032[13]. |
| FRAME_VALID | High impedance | High impedance | Input/Output. This interface is disabled by default. Input buffers (used for GPIO function) powered down by default, so these pins can be left unconnected (floating). After reset, these pins are powered up, sampled, then powered down again as part of the auto-configuration mechanism. See Note 2. |
| LINE_VALID | | | |

Table 6: Reset/Default State of Interfaces (continued)

| Name | Reset State | Default State | Notes |
|------------|--------------------------|--------------------------|---|
| PIXCLK | High impedance | Driven, logic 0 | Output. This interface disabled by default. See Note 1. |
| DOUT7 | | | |
| DOUT6 | | | |
| DOUT5 | | | |
| DOUT4 | | | |
| DOUT3 | | | |
| DOUT2 | | | |
| DOUT1 | | | |
| DOUT0 | | | |
| DOUT_LSB1 | | | |
| DOUT_LSB0 | High impedance | High impedance | |
| DAC_POS | High impedance | Driven | Output. Interface disabled by hardware reset and enabled by default when the device starts streaming. |
| DAC_NEG | | | |
| DAC_REF | | | |
| TDI | Internal pull-up enabled | Internal pull-up enabled | Input. Internal pull-up means that this pin can be left unconnected (floating). |
| TDO | High impedance | High impedance | Output. Driven only during appropriate parts of the JTAG shifter sequence. |
| TMS | Internal pull-up enabled | Internal pull-up enabled | Input. Internal pull-up means that this pin can be left unconnected (floating). |
| TCK | Internal pull-up enabled | Internal pull-up enabled | Input. Internal pull-up means that this pin can be left unconnected (floating). |
| TRST_N | N/A | N/A | Input. Must always be driven to a valid logic level. Must be driven to GND for normal operation. |
| FRAME_SYNC | N/A | N/A | Input. Must always be driven to a valid logic level. Must be driven to GND if not used. |
| GPIO12 | High impedance | High impedance | Input/Output. This interface disabled by default. Input buffers (used for GPIO function) powered down by default, so these pins can be left unconnected (floating) |
| GPIO13 | High impedance | High impedance | Input/Output. This interface disabled by default. Input buffers (used for GPIO function) powered down by default, so these pins can be left unconnected (floating). |
| ATEST1 | N/A | N/A | Must be driven to GND for normal operation. |
| ATEST2 | N/A | N/A | Must be driven to GND for normal operation. |

- Notes:
1. The reason for defining the default state as logic 0 rather than high impedance is this: when wired in a system (for example, on ON Semiconductor’s demo boards), these outputs will be connected, and the inputs to which they are connected will want to see a valid logic level. No current drain should result from driving these to a valid logic level (unless there is a pull-up at the system level).
 2. These pads have their input circuitry powered down, but they are not output-enabled. Therefore, they can be left floating but they will not drive a valid logic level to an attached device.

SOC Description

Detailed Architecture Overview

Sensor Core

The sensor consists of a pixel array, an analog readout chain, a 10-bit ADC with programmable gain and black offset, and timing and control as illustrated in Figure 4.

Figure 4: Sensor Core Block Diagram



Pixel Array Structure

The sensor core pixel array is configured as 728 columns by 560 rows, as shown in Figure 5.

Figure 5: Pixel Array Description



Black rows used internally for automatic black level adjustment are not addressed by default, but can be read out in raw output mode via a register setting.

There are 728 columns by 560 rows of optically-active pixels (that is, clear pixels) that include a pixel boundary around the VGA (640 x 480) image to avoid boundary effects during color interpolation and correction. Among the 728 columns by 560 rows of clear

pixels, there are 36 lens alignment rows on the top and bottom, and 40 lens alignment columns on the left and right; and there are 4 demosaic rows and 4 demosaic columns on each side.

Figure 6 illustrates the process of capturing the image. The original scene is flipped and mirrored by the sensor optics. Sensor readout starts at the lower right corner. The image is presented in true orientation by the output display.

Figure 6: Image Capture Example



Sensor Pixel Array

The active pixel array is 640 x 480 pixels. In addition, there are 72 rows and 80 columns for lens alignment and 8 rows and 8 columns for demosaic.

Figure 7: Pixel Color Pattern Detail (top right corner)



Output Data Format

The sensor core image data are read out in progressive scan order. Valid image data are surrounded by horizontal and vertical blanking, shown in Figure 8.

For NTSC output, the horizontal size is stretched from 640 to 720 pixels. The vertical size is 243 pixels per field; 240 image pixels and 3 dark pixels that are located at the bottom of the image field.

For PAL output, the horizontal size is also stretched from 640 to 720 pixels. The vertical size is 288 pixels per field.

Figure 8: Spatial Illustration of Image Readout

| | |
|--|--|
| $P_{0,0} P_{0,1} P_{0,2} \dots P_{0,n-1} P_{0,n}$ $P_{2,0} P_{2,1} P_{2,2} \dots P_{2,n-1} P_{2,n}$ | 00 00 00 00 00 00 00 00 00 00 00 00 |
| Valid Image Odd Field | Horizontal Blanking |
| $P_{m-2,0} P_{m-2,1} \dots P_{m-2,n-1} P_{m-2,n}$ $P_{m,0} P_{m,1} \dots P_{m,n-1} P_{m,n}$ | 00 00 00 00 00 00 00 00 00 00 00 00 |
| Vertical Even Blanking | Vertical/Horizontal Blanking |
| 00 00 00 00 00 00 00 00 00 00 00 00 | 00 00 00 00 00 00 00 00 00 00 00 00 |
| $P_{1,0} P_{1,1} P_{1,2} \dots P_{1,n-1} P_{1,n}$ $P_{3,0} P_{3,1} P_{3,2} \dots P_{3,n-1} P_{3,n}$ | 00 00 00 00 00 00 00 00 00 00 00 00 |
| Valid Image Even Field | Horizontal Blanking |
| $P_{m-1,0} P_{m-1,1} \dots P_{m-1,n-1} P_{m-1,n}$ $P_{m+1,0} P_{m+1,1} \dots P_{m+1,n-1} P_{m+1,n}$ | 00 00 00 00 00 00 00 00 00 00 00 00 |
| Vertical Odd Blanking | Vertical/Horizontal Blanking |
| 00 00 00 00 00 00 00 00 00 00 00 00 | 00 00 00 00 00 00 00 00 00 00 00 00 |

Image Flow Processor

Image and color processing in the ASX340AT are implemented as an image flow processor (IFP) coded in hardware logic. During normal operation, the embedded microcontroller will automatically adjust the operation parameters. The IFP is broken down into different sections, as outlined in Figure 9.

Figure 9: Color Pipeline



Test Patterns

During normal operation of the ASX340AT, a stream of raw image data from the sensor core is continuously fed into the color pipeline. For test purposes, this stream can be replaced with a fixed image generated by a special test module in the pipeline. The module provides a selection of test patterns sufficient for basic testing of the pipeline.

NTSC/PAL Test Pattern Generation

There is a built-in standard EIA (NTSC) and EBU (PAL) color bars to support hue and color saturation characterization. Each pattern consists of seven color bars (white, yellow, cyan, green, magenta, red, and blue). The Y, Cb and Cr values for each bar are detailed in Tables 7 and 8.

Figure 10: Color Bars



Table 7: EIA Color Bars (NTSC)

| | Nominal Range | White | Yellow | Cyan | Green | Magenta | Red | Blue |
|----|---------------|-------|--------|------|-------|---------|-----|------|
| Y | 16 to 235 | 180 | 162 | 131 | 112 | 84 | 65 | 35 |
| Cb | 16 to 240 | 128 | 44 | 156 | 72 | 184 | 100 | 212 |
| Cr | 16 to 240 | 128 | 142 | 44 | 58 | 198 | 212 | 114 |

Table 8: EBU Color Bars (PAL)

| | Nominal Range | White | Yellow | Cyan | Green | Magenta | Red | Blue |
|----|---------------|-------|--------|------|-------|---------|-----|------|
| Y | 16 to 235 | 235 | 162 | 131 | 112 | 84 | 65 | 35 |
| Cb | 16 to 240 | 128 | 44 | 156 | 72 | 184 | 100 | 212 |
| Cr | 16 to 240 | 128 | 142 | 44 | 58 | 198 | 212 | 114 |

CCIR-656 Format

The color bar data is encoded in 656 data streams. The duration of the blanking and active video periods of the generated 656 data are summarized in Tables 9 and 10.

Table 9: NTSC

| Line Numbers | Field | Description |
|--------------|-------|-------------|
| 1-3 | 2 | Blanking |
| 4-19 | 1 | Blanking |

Table 9: NTSC (continued)

| Line Numbers | Field | Description |
|--------------|-------|--------------|
| 20-263 | 1 | Active video |
| 264-265 | 1 | Blanking |
| 266-282 | 2 | Blanking |
| 283-525 | 2 | Active Video |

Table 10: PAL

| Line Numbers | Field | Description |
|--------------|-------|--------------|
| 1-22 | 1 | Blanking |
| 23-310 | 1 | Active video |
| 311-312 | 1 | Blanking |
| 313-335 | 2 | Blanking |
| 336-623 | 2 | Active video |
| 624-625 | 2 | Blanking |

Black Level Subtraction and Digital Gain

Image stream processing starts with black level subtraction and multiplication of all pixel values by a programmable digital gain. Both operations can be independently set to separate values for each color channel (R, Gr., Gb, B). Independent color channel digital gain can be adjusted with registers. Independent color channel black level adjustments can also be made. If the black level subtraction produces a negative result for a particular pixel, the value of this pixel is set to 0.

Positional Gain Adjustments (PGA)

Lenses tend to produce images whose brightness is significantly attenuated near the edges. There are also other factors causing fixed pattern signal gradients in images captured by image sensors. The cumulative result of all these factors is known as image shading. The ASX340AT has an embedded shading correction module that can be programmed to counter the shading effects on each individual R, Gb, Gr., and B color signal.

The Correction Function

The correction functions can then be applied to each pixel value to equalize the response across the image as follows:

$$P_{corrected}(row,col) = P_{sensor}(row,col) * f(row,col) \tag{EQ 1}$$

where P is the pixel values and f is the color dependent correction functions for each color channel.

Color Interpolation

In the raw data stream fed by the sensor core to the IFP, each pixel is represented by a 10-bit integer number, which can be considered proportional to the pixel's response to a one-color light stimulus, red, green, or blue, depending on the pixel's position under the color filter array. Initial data processing steps, up to and including the defect correction, preserve the one-color-per-pixel nature of the data stream, but after the defect correction it must be converted to a three-colors-per-pixel stream appropriate for standard color processing. The conversion is done by an edge-sensitive color interpolation module. The module pads the incomplete color information available for each pixel with information extracted from an appropriate set of neighboring pixels. The algorithm used to select this set and extract the information seeks the best compromise between preserving edges and filtering out high frequency noise in flat field areas. The edge threshold can be set through register settings.

Color Correction and Aperture Correction

To achieve good color fidelity of the IFP output, interpolated RGB values of all pixels are subjected to color correction. The IFP multiplies each vector of three pixel colors by a 3 x 3 color correction matrix. The three components of the resulting color vector are all sums of three 10-bit numbers. Since such sums can have up to 12 significant bits, the bit width of the image data stream is widened to 12 bits per color (36 bits per pixel). The color correction matrix can be either programmed by the user or automatically selected by the auto white balance (AWB) algorithm implemented in the IFP. Color correction should ideally produce output colors that are corrected for the spectral sensitivity and color crosstalk characteristics of the image sensor. The optimal values of the color correction matrix elements depend on those sensor characteristics and on the spectrum of light incident on the sensor. The color correction parameters can be adjusted through register settings.

To increase image sharpness, a programmable 2D aperture correction (sharpening filter) is applied to color-corrected image data. The gain and threshold for 2D correction can be defined through register settings.

Gamma Correction

The ASX340AT includes a block for gamma correction that can adjust its shape based on brightness to enhance the performance under certain lighting conditions. Two custom gamma correction tables may be uploaded corresponding to a brighter lighting condition and a darker lighting condition. At power-up, the IFP loads the two tables with default values. The final gamma correction table used depends on the brightness of the scene and takes the form of an interpolated version of the two tables.

The gamma correction curve (as shown in Figure 11) is implemented as a piecewise linear function with 19 knee points, taking 12-bit arguments and mapping them to 8-bit output. The abscissas of the knee points are fixed at 0, 64, 128, 256, 512, 768, 1024, 1280, 1536, 1792, 2048, 2304, 2560, 2816, 3072, 3328, 3584, 3840, and 4096. The 8-bit ordinates are programmable through registers.

Figure 11: Gamma Correction Curve



RGB to YUV Conversion

For further processing, the data is converted from RGB color space to YUV color space.

Color Kill

To remove high-or low-light color artifacts, a color kill circuit is included. It affects only pixels whose luminance exceeds a certain preprogrammed threshold. The U and V values of those pixels are attenuated proportionally to the difference between their luminance and the threshold.

YUV Color Filter

As an optional processing step, noise suppression by one-dimensional low-pass filtering of Y and/or UV signals is possible. A 3- or 5-tap filter can be selected for each signal.

YUV-to-RGB/YUV Conversion and Output Formatting

The YUV data stream emerging from the colorpipe can either exit the color pipeline as-is or be converted before exit to an alternative YUV or RGB data format.

Output Format and Timing

YUV/RGB Data Ordering

The ASX340AT supports swapping YCbCr mode, as illustrated in Table 11.

Table 11: YCbCr Output Data Ordering

| Mode | Data Sequence | | | |
|-------------------|-----------------|-----------------|------------------|------------------|
| Default (no swap) | Cb _i | Y _i | Cr _i | Y _{i+1} |
| Swapped CbCr | Cr _i | Y _i | Cb _i | Y _{i+1} |
| Swapped YC | Y _i | Cb _i | Y _{i+1} | Cr _i |
| Swapped CbCr, YC | Y _i | Cr _i | Y _{i+1} | Cb _i |

The RGB output data ordering in default mode is shown in Table 12. The odd and even bytes are swapped when luma/chroma swap is enabled. R and B channels are bit-wise swapped when chroma swap is enabled.

Table 12: RGB Ordering in Default Mode

| Mode (Swap Disabled) | Byte | D ₇ D ₆ D ₅ D ₄ D ₃ D ₂ D ₁ D ₀ |
|----------------------|------|---|
| 565RGB | Odd | R ₇ R ₆ R ₅ R ₄ R ₃ G ₇ G ₆ G ₅ |
| | Even | G ₄ G ₃ G ₂ B ₇ B ₆ B ₅ B ₄ B ₃ |
| 555RGB | Odd | 0 R ₇ R ₆ R ₅ R ₄ R ₃ G ₇ G ₆ |
| | Even | G ₅ G ₄ G ₃ B ₇ B ₆ B ₅ B ₄ B ₃ |
| 444xRGB | Odd | R ₇ R ₆ R ₅ R ₄ G ₇ G ₆ G ₅ G ₄ |
| | Even | B ₇ B ₆ B ₅ B ₄ 0 0 0 0 |
| x444RGB | Odd | 0 0 0 0 R ₇ R ₆ R ₅ R ₄ |
| | Even | G ₇ G ₆ G ₅ G ₄ B ₇ B ₆ B ₅ B ₄ |

Uncompressed 10-Bit Bypass Output

Raw 10-bit Bayer data from the sensor core can be output in bypass mode in two ways:

- Using 8 data output signals (DOUT[7:0]) and GPIO[1:0]. The GPIO signals are the least significant 2 bits of data.
- Using only 8 signals (DOUT[7:0]) and a special 8 + 2 data format, shown in Table 13.

Table 13: 2-Byte Bayer Format

| Byte | Bits Used | Bit Sequence |
|------------|-----------------------------|---|
| Odd bytes | 8 data bits | D ₉ D ₈ D ₇ D ₆ D ₅ D ₄ D ₃ D ₂ |
| Even bytes | 2 data bits + 6 unused bits | 0 0 0 0 0 0 D ₁ D ₀ |

Readout Formats

Progressive format is used for raw Bayer output.

Output Formats

ITU-R BT.656 and RGB Output

The ASX340AT can output processed video as a standard ITU-R BT.656 (CCIR656) stream, an RGB stream, or as unprocessed Bayer data. The ITU-R BT.656 stream contains YCbCr 4:2:2 data with embedded synchronization codes. This output is typically suitable for subsequent display by standard video equipment or JPEG/MPEG compression.

Colorpipe data (pre-lens correction and overlay) can also be output in YCbCr 4:2:2 and a variety of RGB formats in 640 by 480 progressive format in conjunction with LINE_VALID and FRAME_VALID.

The ASX340AT can be configured to output 16-bit RGB (565RGB), 15-bit RGB (555RGB), and two types of 12-bit RGB (444RGB). Refer to Table 24 and Table 25 on page 48 for details.

Bayer Output

Unprocessed Bayer data are generated when bypassing the IFP completely—that is, by simply outputting the sensor Bayer stream as usual, using FRAME_VALID, LINE_VALID, and PIXCLK to time the data. This mode is called sensor bypass mode.

Output Ports

Composite Video Output

The composite video output DAC is external-resistor-programmable and supports both single-ended and differential output. The DAC is driven by the on-chip video encoder output.

Parallel Output

Parallel output uses either 8-bit or 10-bit output. Eight-bit output is used for ITU-R BT.656 and RGB output. Ten-bit output is used for raw Bayer output.

Zoom Support

The ASX340AT supports zoom x1 and x2 modes, in interlaced and progressive scan modes. The progressive support is limited to the VGA at either 60 fps or 50 fps.

In the zoom x2 modes, the sensor is configured for QVGA (320 x 240), and the zoom x2 window can be configured to pan around the VGA window.

FOV Stretch Support

The ASX340AT supports the ability to control the active 'width' of the TV output line, between 692 and 720 pixels. The hardware supports two margins, each a maximum of 14 pixels width, and has to be an even number of pixels.



System Configuration and Usage Modes

How a camera based on the ASX340AT will be configured depends on what features are used. There are essentially three configuration modes for ASX340AT: Auto-Config Mode, Flash-Config Mode, and Host-Config Mode. Refer to System Configuration and Usage Modes in the Developer Guide document for details.

Multicamera Support

Two or more ASX340AT sensors may be synchronized to a frame by asserting the FRAME_SYNC signal. At that point, the sensor and video encoder will reset without affecting any register settings. The ASX340AT may be triggered to be synchronized with another ASX340AT or an external event.

Figure 12: Multicamera System Block Diagram



External Signal Processing

An external signal processor can take data from ITU656 or raw Bayer output format and post-process or compress the data in various formats.

Figure 13: External Signal Processing Block Diagram



Device Configuration

After power is applied and the device is out of reset by de-asserting the RESET_BAR pin, it will enter a boot sequence to configure its operating mode. There are essentially three configuration modes: Flash/EEPROM Config, Auto Config, and Host Config. Figure 14: “Power-Up Sequence – Configuration Options Flow Chart,” on page 27 contains more details on the configuration options.

The SOC firmware supports a System Configuration phase at start-up. This consists of five modes of execution:

1. Flash Detection
2. Flash-Config
3. Auto-Config
4. Host-Config
5. Change-Config (commences streaming - completes the System Configuration mode).

The System Configuration phase is entered immediately after the firmware initializes following SOC power-up or reset. By default, the firmware first enters the Flash Detection mode.

The Flash Detection mode attempts to detect the presence of an SPI Flash or EEPROM device:

- If no device is detected, the firmware then samples the SPI_SDI pin state to determine the next mode:
 - If SPI_SDI == 0 then it enters the Host-Config mode.
 - If SPI_SDI == 1 then it enters the Auto-Config mode.
- If a device is detected, the firmware switches to the Flash-Config mode.

In the Flash-Config phase, the firmware interrogates the device to determine if it contains valid configuration records:

- If no records are detected, then the firmware enters the Auto-Config mode.
- If records are detected, the firmware processes them. By default, when all Flash records are processed the firmware switches to the Host-Config mode. However, the records encoded into the Flash can optionally be used to instruct the firmware to proceed to one of the other mode (auto-config/change-config).

The Auto-Config mode uses the FRAME_VALID, LINE_VALID, DOUT_LSB0 and DOUT_LSB1 pins to configure the operation of the device, such as video format and pedestal (refer to the Developer Guide for more details). After Auto-Config completes the firmware switches to the Change-Config mode.

In the Host-Config mode, the firmware performs no configuration, and remains idle waiting for configuration and commands from the host. The System Configuration phase is effectively complete and the SOC will take no actions until the host issues commands.

In the Change-Config mode, the firmware performs a 'Change-Config' operation. This applies the current configuration settings to the SOC, and commences streaming. This completes the System Configuration phase.

Power Sequence

In power-up, refer to the power-up sequence in Figure 39: “Power Up Sequence,” on page 57.

In power down, refer to Figure 40: “Power Down Sequence,” on page 58 for details.

Figure 14: Power-Up Sequence – Configuration Options Flow Chart



Supported NVM Devices

The ASX340AT supports a variety of SPI non-volatile memory (NVM) devices. Refer to Flash/EEPROM Programming section in Developer Guide document for details.

Host Command Interface

ON Semiconductor sensors and SOCs contain numerous registers that are accessed through a two-wire interface with speeds up to 400 kHz.

The ASX340AT in addition to writing or reading straight to/from registers or firmware variables, has a mechanism to write higher level commands, the Host Command Interface (HCI). Once a command has been written through the HCI, it will be executed by on-chip firmware and the results are reported back. In general, registers should not be accessed with the exception of registers that are marked for “User Access.”

EEPROM or Flash memory is also available to store commands for later execution. Under DMA control, a command is written into the SOC and executed.

For a complete description of host commands, refer to the ASX340AT Host Command Interface Specification.

Figure 15: Interface Structure



Host Command Process Flow

Figure 16: Host Command Process Flow



Command Flow

The host issues a command by writing (through a two-wire interface bus) to the command register. All commands are encoded with bit 15 set, which automatically generates the host command (doorbell) interrupt to the microprocessor.

Assuming initial conditions, the host first writes the command parameters (if any) to the parameters pool (in the command handler's logical page), then writes the command to command register. The firmware interrupt handler then signals the Command Handler task to process the command.

If the host wishes to determine the outcome of the command, it must poll the command register waiting for the doorbell bit to be cleared. This indicates that the firmware completed processing the command. When the doorbell bit is cleared, the contents of the command register indicate the command's result status. If the command generated response parameters, the host can now retrieve these from the parameters pool.

Note: The host must not write to the parameters pool, nor issue another command, until the previous command completes. This is true even if the host does not care about the result of the previous command. Therefore, the host must always poll the command register to determine the state of the doorbell bit, and ensure the bit is cleared before issuing a command.

For a complete command list and further information consult the Host Command Interface Specification.

An example of how (using DevWare) a command may be initiated in the form of a "Preset" follows.

Issue the SYSMGR_SET_STATE Command

All DevWare presets supplied by ON Semiconductor poll and test the doorbell bit after issuing the command. Therefore there is no need to check if the doorbell bit is clear before issuing the next command.

```
# Set the desired next state in the parameters pool (SYS_STATE_ENTER_CONFIG_CHANGE)
REG= 0xFC00, 0x2800 // CMD_HANDLER_PARAMS_POOL_0

# Issue the HC_SYSMGR_SET_STATE command
REG= 0x0040, 0x8100 // COMMAND_REGISTER

# Wait for the FW to complete the command (clear the Doorbell bit)
POLL_FIELD= COMMAND_REGISTER, DOORBELL, !=0, DELAY=10, TIMEOUT=100

# Check the command was successful
ERROR_IF= COMMAND_REGISTER, HOST_COMMAND, !=0, "Set State command failed",
```

Summary of Host Commands

Table 14 on page 32 through Table 21 on page 34 show summaries of the host commands. The commands are divided into the following sections:

- System Manager
- Overlay
- GPIO
- Flash Manager
- Sequencer
- Patch Loader
- Miscellaneous
- Calibration Stats

Following is a summary of the Host Interface commands. The description gives a quick orientation. The “Type” column shows if it is an asynchronous or synchronous command. For a complete list of all commands including parameters, consult the Host Command Interface Specification document.

Table 14: System Manager Commands

| System Manager Host Command | Value | Type | Description |
|-----------------------------|--------|-------------|--------------------------------------|
| Set State | 0x8100 | Synchronous | Request the system enter a new state |
| Get State | 0x8101 | Synchronous | Get the current state of the system |

Table 15: Overlay Host Commands

| Overlay Host Command | Value | Type | Description |
|----------------------|--------|--------------|--|
| Enable Overlay | 0x8200 | Synchronous | Enable or disable the overlay subsystem |
| Get Overlay State | 0x8201 | Synchronous | Retrieve the state of the overlay subsystem |
| Set Calibration | 0x8202 | Synchronous | Set the calibration offset |
| Set Bitmap Property | 0x8203 | Synchronous | Set a property of a bitmap |
| Get Bitmap Property | 0x8204 | Synchronous | Get a property of a bitmap |
| Set String Property | 0x8205 | Synchronous | Set a property of a character string |
| Load Buffer | 0x8206 | Asynchronous | Load an overlay buffer with a bitmap (from Flash) |
| Load Status | 0x8207 | Synchronous | Retrieve status of an active load buffer operation |
| Write Buffer | 0x8208 | Synchronous | Write directly to an overlay buffer |
| Read Buffer | 0x8209 | Synchronous | Read directly from an overlay buffer |
| Enable Layer | 0x820A | Synchronous | Enable or disable an overlay layer |
| Get Layer Status | 0x820B | Synchronous | Retrieve the status of an overlay layer |
| Set String | 0x820C | Synchronous | Set the character string |
| Get String | 0x820D | Synchronous | Get the current character string |
| Load String | 0x820E | Asynchronous | Load a character string (from Flash) |

Table 16: GPIO Host Commands

| GPIO Host Command | Value | Type | Description |
|---------------------|--------|-------------|---|
| Set GPIO Property | 0x8400 | Synchronous | Set a property of one or more GPIO pins |
| Get GPIO Property | 0x8401 | Synchronous | Retrieve a property of a GPIO pin |
| Set GPO State | 0x8402 | Synchronous | Set the state of a GPO pin or pins |
| Get GPIO State | 0x8403 | Synchronous | Get the state of a GPI pin or pins |
| Set GPI Association | 0x8404 | Synchronous | Associate a GPI pin state with a Command Sequence stored in SPI Flash |
| Get GPI Association | 0x8405 | Synchronous | Retrieve an GPIO pin association |

Table 17: Flash Manager Host Commands

| Flash Manager Host Command | Value | Type | Description |
|----------------------------|--------|--------------|--|
| Get Lock | 0x8500 | Asynchronous | Request the Flash Manager access lock |
| Lock Status | 0x8501 | Synchronous | Retrieve the status of the access lock request |
| Release Lock | 0x8502 | Synchronous | Release the Flash Manager access lock |
| Config | 0x8503 | Synchronous | Configure the Flash Manager and underlying SPI Flash subsystem |
| Read | 0x8504 | Asynchronous | Read data from the SPI Flash |
| Write | 0x8505 | Asynchronous | Write data to the SPI Flash |
| Erase Block | 0x8506 | Asynchronous | Erase a block of data from the SPI Flash |
| Erase Device | 0x8507 | Asynchronous | Erase the SPI Flash device |
| Query Device | 0x8508 | Asynchronous | Query device-specific information |
| Status | 0x8509 | Synchronous | Obtain status of current asynchronous operation |
| Config Device | 0x850A | Synchronous | Configure the attached SPI NVM device |

Table 18: Sequencer Host Commands

| Sequencer Host Command | Value | Type | Description |
|------------------------|--------|-------------|--|
| Refresh | 0x8606 | Synchronous | Refresh the automatic image processing algorithm configuration |
| Refresh Status | 0x8607 | Synchronous | Retrieve the status of the last Refresh operation |

Table 19: Patch Loader Host Commands

| Patch Loader Host Command | Value | Type | Description |
|---------------------------|--------|--------------|---|
| Load Patch | 0x8700 | Asynchronous | Load a patch from SPI Flash and automatically apply |
| Status | 0x8701 | Synchronous | Get status of an active Load Patch or Apply Patch request |
| Apply Patch | 0x8702 | Asynchronous | Apply a patch (already located in Patch RAM) |
| Reserve RAM | 0x8706 | Synchronous | Reserve RAM to contain a patch |

Table 20: Miscellaneous Host Commands

| Miscellaneous Host Command | Value | Type | Description |
|------------------------------|--------|-------------|---|
| Invoke Command Seq | 0x8900 | Synchronous | Invoke a sequence of commands stored in NVM |
| Config Command Seq Processor | 0x8901 | Synchronous | Configures the Command Sequencer processor |
| Wait For Event | 0x8902 | Synchronous | Wait for a system event to be signalled |

Table 21: Calibration Stats Host Commands

| Calibration Stats Host Command | Value | Type | Description |
|--------------------------------|--------|--------------|----------------------------|
| Control | 0x8B00 | Asynchronous | Start statistics gathering |
| Read | 0x8B01 | Synchronous | Read the results back |

Slave Two-Wire Serial Interface

The two-wire serial interface bus enables read/write access to control and status registers within the ASX340AT. This interface is designed to be compatible with the MIPI Alliance Standard for Camera Serial Interface 2 (CSI-2) 1.0, which uses the electrical characteristics and transfer protocols of the two-wire serial interface specification.

The interface protocol uses a master/slave model in which a master controls one or more slave devices. The sensor acts as a slave device. The master generates a clock (SCLK) that is an input to the sensor and used to synchronize transfers.

Data is transferred between the master and the slave on a bidirectional signal (SDATA). SDATA is pulled up to VDD_IO off-chip by a pull-up resistor in the range of 1.5 to 4.7 kΩ.

Protocol

Data transfers on the two-wire serial interface bus are performed by a sequence of low-level protocol elements, as follows:

- a start or restart condition
- a slave address/data direction byte
- a 16-bit register address
- an acknowledge or a no-acknowledge bit
- data bytes
- a stop condition

The bus is idle when both SCLK and SDATA are HIGH. Control of the bus is initiated with a start condition, and the bus is released with a stop condition. Only the master can generate the start and stop conditions.

The SADDR pin is used to select between two different addresses in case of conflict with another device. If SADDR is LOW, the slave address is 0x90; if SADDR is HIGH, the slave address is 0xBA. See Table 22.

Table 22: Two-Wire Interface ID Address Switching

| SADDR | Two-Wire Interface Address ID |
|-------|-------------------------------|
| 0 | 0x90 |
| 1 | 0xBA |

Start Condition

A start condition is defined as a HIGH-to-LOW transition on SDATA while SCLK is HIGH. At the end of a transfer, the master can generate a start condition without previously generating a stop condition; this is known as a “repeated start” or “restart” condition.

Data Transfer

Data is transferred serially, 8 bits at a time, with the MSB transmitted first. Each byte of data is followed by an acknowledge bit or a no-acknowledge bit. This data transfer mechanism is used for the slave address/data direction byte and for message bytes.

One data bit is transferred during each SCLK clock period. SDATA can change when SCLK is low and must be stable while SCLK is HIGH.

Slave Address/Data Direction Byte

Bits [7:1] of this byte represent the device slave address and bit [0] indicates the data transfer direction. A “0” in bit [0] indicates a write, and a “1” indicates a read. The default slave addresses used by the ASX340AT are 0x90 (write address) and 0x91 (read address). Alternate slave addresses of 0xBA (write address) and 0xBB (read address) can be selected by asserting the SADDR input signal.

Message Byte

Message bytes are used for sending register addresses and register write data to the slave device and for retrieving register read data. The protocol used is outside the scope of the two-wire serial interface specification.

Acknowledge Bit

Each 8-bit data transfer is followed by an acknowledge bit or a no-acknowledge bit in the SCLK clock period following the data transfer. The transmitter (which is the master when writing, or the slave when reading) releases SDATA. The receiver indicates an acknowledge bit by driving SDATA LOW. As for data transfers, SDATA can change when SCLK is LOW and must be stable while SCLK is HIGH.

No-Acknowledge Bit

The no-acknowledge bit is generated when the receiver does not drive SDATA low during the SCLK clock period following a data transfer. A no-acknowledge bit is used to terminate a read sequence.

Stop Condition

A stop condition is defined as a LOW-to-HIGH transition on SDATA while SCLK is HIGH.

Typical Operation

A typical READ or WRITE sequence begins by the master generating a start condition on the bus. After the start condition, the master sends the 8-bit slave address/data direction byte. The last bit indicates whether the request is for a READ or a WRITE, where a “0” indicates a WRITE and a “1” indicates a READ. If the address matches the address of the slave device, the slave device acknowledges receipt of the address by generating an acknowledge bit on the bus.

If the request was a WRITE, the master then transfers the 16-bit register address to which a WRITE will take place. This transfer takes place as two 8-bit sequences and the slave sends an acknowledge bit after each sequence to indicate that the byte has been received. The master will then transfer the 16-bit data, as two 8-bit sequences and the slave sends an acknowledge bit after each sequence to indicate that the byte has been received. The master stops writing by generating a (re)start or stop condition. If the request was a READ, the master sends the 8-bit write slave address/data direction byte and 16-bit register address, just as in the write request. The master then generates a (re)start condition and the 8-bit read slave address/data direction byte, and clocks out the register data, 8 bits at a time. The master generates an acknowledge bit after each 8-bit transfer. The data transfer is stopped when the master sends a no-acknowledge bit.

Single READ from Random Location

Figure 17 shows the typical READ cycle of the host to the ASX340AT. The first two bytes sent by the host are an internal 16-bit register address. The following 2-byte READ cycle sends the contents of the registers to host.

Figure 17: Single READ from Random Location



Single READ from Current Location

Figure 18 shows the single READ cycle without writing the address. The internal address will use the previous address value written to the register.

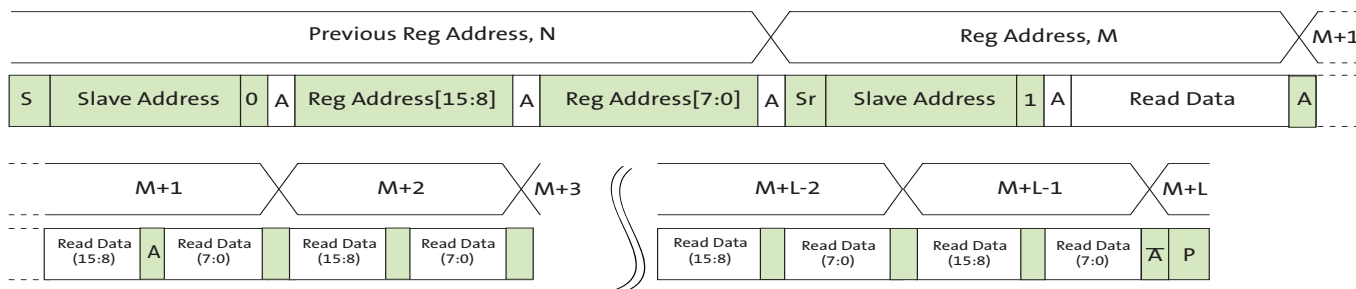
Figure 18: Single Read from Current Location



Sequential READ, Start from Random Location

This sequence (Figure 19) starts in the same way as the single READ from random location (Figure 17 on page 37). Instead of generating a no-acknowledge bit after the first byte of data has been transferred, the master generates an acknowledge bit and continues to perform byte READs until “L” bytes have been read.

Figure 19: Sequential READ, Start from Random Location



Sequential READ, Start from Current Location

This sequence (Figure 20) starts in the same way as the single READ from current location (Figure 18). Instead of generating a no-acknowledge bit after the first byte of data has been transferred, the master generates an acknowledge bit and continues to perform byte reads until “L” bytes have been read.

Figure 20: Sequential READ, Start from Current Location



Single Write to Random Location

Figure 21 shows the typical WRITE cycle from the host to the ASX340AT. The first 2 bytes indicate a 16-bit address of the internal registers with most-significant byte first. The following 2 bytes indicate the 16-bit data.

Figure 21: Single WRITE to Random Location



Sequential WRITE, Start at Random Location

This sequence (Figure 22) starts in the same way as the single WRITE to random location (Figure 21). Instead of generating a no-acknowledge bit after the first byte of data has been transferred, the master generates an acknowledge bit and continues to perform byte writes until “L” bytes have been written. The WRITE is terminated by the master generating a stop condition.

Figure 22: Sequential WRITE, Start at Random Location



Overlay Capability

Figure 23 highlights the graphical overlay data flow of the ASX340AT. The images are separated to fit into 2 KB blocks of memory after compression.

- Up to four overlays may be blended simultaneously
- Overlay size 360 x 480 pixels rendered into a display area of 720 x 480 pixels (NTSC) or 720 x 576 (PAL)
- Selectable readout: rotating order is user programmable
- Dynamic movement through predefined overlay images
- Palette of 32 colors out of 64,000 with eight colors per bitmap
- Blend factors may be changed dynamically to achieve smooth transitions

The host commands allow a bitmap to be written piecemeal to a memory buffer through the two-wire serial interface, and also through DMA direct from SPI Flash memory. Multiple encoding passes may be required to fit an image into a 2KB block of memory; alternatively, the image can be divided into two or more blocks to make the image fit. Every graphic image may be positioned in the horizontal and vertical direction and overlap with other graphic images.

The host may load an image at any time. Under control of DMA assist, data are transferred to the off-screen buffer in compressed form. This assures that no display data are corrupted during the replenishment of the four active overlay buffers.

Figure 23: Overlay Data Flow



Note: These images are not actually rendered, but show conceptual objects and object blending.

NVM Partition

The contents of the Flash/EEPROM memory partition logically into three blocks (see Figure 24):

- Memory for overlay data and descriptors
- Memory for register settings, which may be loaded at boot-up
- Firmware extensions or software patches; in addition to the on-chip firmware, extensions reside in this block of memory

These blocks are not necessarily contiguous.

Figure 24: Memory Partitioning



External Memory Speed Requirement

For a 2 KB block of overlay to be transferred within a frame time to achieve maximum update rate, the SPI NVM must operate at a certain minimum speed.

Table 23: Transfer Time Estimate

| Frame Time | SPI Clock | Transfer Time for 2 KB |
|------------|-----------|------------------------|
| 33.3ms | 4.5 MHz | 1ms |

Overlay Adjustment

To ensure a correct position of the overlay to compensate for assembly deviation, the overlay can be adjusted with assistance from the overlay statistics engine:

- The overlay statistics engine supports a windowed 8-bin luma histogram, either row-wise (vertical) or column-wise (horizontal).
- The calibration statistics can be used to perform an automatic successive-approximation search of a cross-hair target within the scene.
- On the first frame, the firmware performs a coarse horizontal search, followed by a coarse vertical search in the second frame.
- In subsequent frames, the firmware reduces the region-of-interest of the search to the histogram bins containing the greatest accumulator values, thereby refining the search.
- The resultant row and column location of the cross-hair target can be used to assign a calibration value to offset selected overlay graphic image positions within the output image.
- The calibration statistics patch also supports a manual mode, which allows the host to access the raw accumulator values directly.

Figure 25: Overlay Calibration



The position of the target will be used to determine the calibration value that shifts the row and column position of adjustable overlay graphics.

The overlay calibration is intended to be applied on a device by device basis “in system,” which means after the camera has been installed. ON Semiconductor provides basic programming scripts that may reside in the SPI Flash memory to assist in this effort.

Overlay Character Generator

In addition to the four overlay layers, a fifth layer exists for a character generator overlay string.

There are a total of:

- 16 alphanumeric characters available
- 22 characters maximum per line
- 16 x 32 pixels with 1-bit color depth

Any update to the character generator string requires the string to be passed in its entirety with the Host Command. Character strings have their own control properties aside from the Overlay bitmap properties.

Figure 26: Internal Block Diagram Overlay



Character Generator

The character generator can be seen as the fifth top layer, but instead of getting the source from RLE data in the memory buffers, it has 16 predefined characters stored in ROM.

All the characters are 1-bit depth color and are sharing the same YCbCr look up table.

Figure 27: Example of Character Descriptor 0 Stored in ROM

| ROM | 15 | 14 | 13 | 12 | 11 | 10 | 9 | 8 | 7 | 6 | 5 | 4 | 3 | 2 | 1 | 0 |
|------|----|----|----|----|----|----|---|---|---|---|---|---|---|---|---|---|
| 0x00 | 0 | 0 | 0 | 0 | 0 | 0 | 0 | 0 | 0 | 0 | 0 | 0 | 0 | 0 | 0 | 0 |
| 0x02 | 0 | 0 | 0 | 0 | 0 | 0 | 0 | 0 | 0 | 0 | 0 | 0 | 0 | 0 | 0 | 0 |
| 0x04 | 0 | 0 | 0 | 0 | 0 | 0 | 1 | 1 | 1 | 1 | 0 | 0 | 0 | 0 | 0 | 0 |
| 0x06 | 0 | 0 | 0 | 0 | 0 | 1 | 1 | 1 | 1 | 1 | 1 | 0 | 0 | 0 | 0 | 0 |
| 0x08 | 0 | 0 | 0 | 0 | 1 | 1 | 1 | 1 | 1 | 1 | 1 | 1 | 0 | 0 | 0 | 0 |
| 0x0a | 0 | 0 | 0 | 1 | 1 | 1 | 1 | 0 | 0 | 1 | 1 | 1 | 1 | 0 | 0 | 0 |
| 0x0c | 0 | 0 | 0 | 1 | 1 | 1 | 0 | 0 | 0 | 0 | 1 | 1 | 1 | 1 | 0 | 0 |
| 0x0e | 0 | 0 | 1 | 1 | 1 | 1 | 0 | 0 | 0 | 0 | 0 | 1 | 1 | 1 | 0 | 0 |
| 0x10 | 0 | 0 | 1 | 1 | 1 | 0 | 0 | 0 | 0 | 0 | 0 | 1 | 1 | 1 | 0 | 0 |
| 0x12 | 0 | 0 | 1 | 1 | 1 | 0 | 0 | 0 | 0 | 0 | 0 | 1 | 1 | 1 | 1 | 0 |
| 0x14 | 0 | 1 | 1 | 1 | 1 | 0 | 0 | 0 | 0 | 0 | 0 | 0 | 1 | 1 | 1 | 0 |
| 0x16 | 0 | 1 | 1 | 1 | 0 | 0 | 0 | 0 | 0 | 0 | 0 | 0 | 1 | 1 | 1 | 0 |
| 0x18 | 0 | 1 | 1 | 1 | 0 | 0 | 0 | 0 | 0 | 0 | 0 | 0 | 1 | 1 | 1 | 0 |
| 0x1a | 0 | 1 | 1 | 1 | 0 | 0 | 0 | 0 | 0 | 0 | 0 | 0 | 1 | 1 | 1 | 0 |
| 0x1c | 0 | 1 | 1 | 1 | 0 | 0 | 0 | 0 | 0 | 0 | 0 | 0 | 1 | 1 | 1 | 0 |
| 0x1e | 0 | 1 | 1 | 1 | 0 | 0 | 0 | 0 | 0 | 0 | 0 | 0 | 1 | 1 | 1 | 0 |
| 0x20 | 0 | 1 | 1 | 1 | 0 | 0 | 0 | 0 | 0 | 0 | 0 | 0 | 1 | 1 | 1 | 0 |
| 0x22 | 0 | 1 | 1 | 1 | 0 | 0 | 0 | 0 | 0 | 0 | 0 | 0 | 1 | 1 | 1 | 0 |
| 0x24 | 0 | 1 | 1 | 1 | 0 | 0 | 0 | 0 | 0 | 0 | 0 | 0 | 1 | 1 | 1 | 0 |
| 0x26 | 0 | 1 | 1 | 1 | 0 | 0 | 0 | 0 | 0 | 0 | 0 | 0 | 1 | 1 | 1 | 0 |
| 0x28 | 0 | 0 | 1 | 1 | 1 | 0 | 0 | 0 | 0 | 0 | 0 | 0 | 1 | 1 | 1 | 0 |
| 0x2a | 0 | 0 | 1 | 1 | 1 | 0 | 0 | 0 | 0 | 0 | 0 | 1 | 1 | 1 | 1 | 0 |
| 0x2c | 0 | 0 | 1 | 1 | 1 | 0 | 0 | 0 | 0 | 0 | 0 | 1 | 1 | 1 | 0 | 0 |
| 0x2e | 0 | 0 | 1 | 1 | 1 | 1 | 0 | 0 | 0 | 0 | 0 | 1 | 1 | 1 | 0 | 0 |
| 0x30 | 0 | 0 | 0 | 1 | 1 | 1 | 0 | 0 | 0 | 0 | 1 | 1 | 1 | 0 | 0 | 0 |
| 0x32 | 0 | 0 | 0 | 1 | 1 | 1 | 1 | 0 | 0 | 1 | 1 | 1 | 1 | 0 | 0 | 0 |
| 0x34 | 0 | 0 | 0 | 0 | 1 | 1 | 1 | 1 | 1 | 1 | 1 | 1 | 0 | 0 | 0 | 0 |
| 0x36 | 0 | 0 | 0 | 0 | 0 | 1 | 1 | 1 | 1 | 1 | 1 | 1 | 0 | 0 | 0 | 0 |
| 0x38 | 0 | 0 | 0 | 0 | 0 | 0 | 1 | 1 | 1 | 1 | 0 | 0 | 0 | 0 | 0 | 0 |
| 0x3a | 0 | 0 | 0 | 0 | 0 | 0 | 0 | 0 | 0 | 0 | 0 | 0 | 0 | 0 | 0 | 0 |
| 0x3c | 0 | 0 | 0 | 0 | 0 | 0 | 0 | 0 | 0 | 0 | 0 | 0 | 0 | 0 | 0 | 0 |
| 0x3e | 0 | 0 | 0 | 0 | 0 | 0 | 0 | 0 | 0 | 0 | 0 | 0 | 0 | 0 | 0 | 0 |
| ... | | | | | | | | | | | | | | | | |

It can show a row of up to 22 characters of 16 x 32 pixels resolution (32 x 32 pixels when blended with the BT 656 data).

Character Generator Details

Table 24 shows the characters that can be generated.

Table 24: Character Generator Details

| Item | Quantity | Description |
|------------------|----------|---|
| 16-bit character | 22 | Code for one of these characters: 0, 1, 2, 3, 4, 5, 6, 7, 8, 9, /, (space), :, -, (comma), (period) |
| 1 bpp color | 1 | Depth of the bit map is 1 bpp |

It is the responsibility of the user to set up proper values in the character positioning to fit them in the same row (that is one of the reasons that 22 is the maximum number of characters).

Note: No error is generated if the character row overruns the horizontal or vertical limits of the frame.

Full Character Set for Overlay

Figure 28 shows all of the characters that can be generated by the ASX340AT.

Figure 28: Full Character Set for Overlay

| | | | | | | | |
|-----|-----|-----|-----|---|---|---|---|
| 0x0 | 0x4 | 0x8 | 0xC | 0 | 4 | 8 | |
| 0x1 | 0x5 | 0x9 | 0xD | 1 | 5 | 9 | , |
| 0x2 | 0x6 | 0xA | 0xE | 2 | 6 | : | - |
| 0x3 | 0x7 | 0xB | 0xF | 3 | 7 | / | . |

Modes and Timing

This section provides an overview of the typical usage modes and related timing information for the ASX340AT.

Composite Video Output

The external pin DOUT_LSB0 can be used to configure the device for default NTSC or PAL operation (auto-config mode). This and other video configuration settings are available as register settings accessible through the serial interface.

NTSC

Both differential and single-ended connections of the full NTSC format are supported. The differential connection that uses two output lines is used for low noise or long distance applications. The single-ended connection is used for PCB tracks and screened cable where noise is not a concern. The NTSC format has three black lines at the bottom of each image for padding (which most LCDs do not display).

PAL

The PAL format is supported with 576 active image rows.

Single-Ended and Differential Composite Output

The composite output can be operated in a single-ended or differential mode by simply changing the external resistor configuration. Refer to the Developer Guide for configuration options.

Parallel Output (Dout)

The DOUT[7:0] port supports both progressive and Interlaced mode. Progressive mode (with FV and LV signal) include raw bayer(8 or 10 bit), YCbCr, RGB. Interlaced mode is CCIR656 compliant.

Figure 29 shows the data that is output on the parallel port for CCIR656. Both NTSC and PAL formats are displayed. The blue values in Figure 29 represent NTSC (525/60). The red values represent PAL (625/50).

Figure 29: CCIR656 8-Bit Parallel Interface Format for 525/60 (625/50) Video Systems

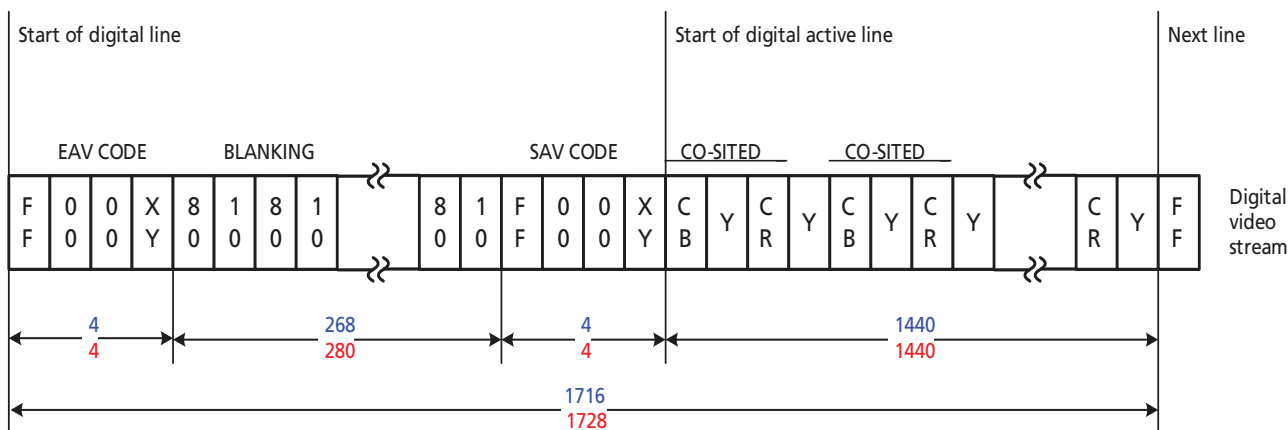


Figure 30 shows detailed vertical blanking information for NTSC timing. See Table 25 for data on field, vertical blanking, EAV, and SAV states.

Figure 30: Typical CCIR656 Vertical Blanking Intervals for 525/60 Video System

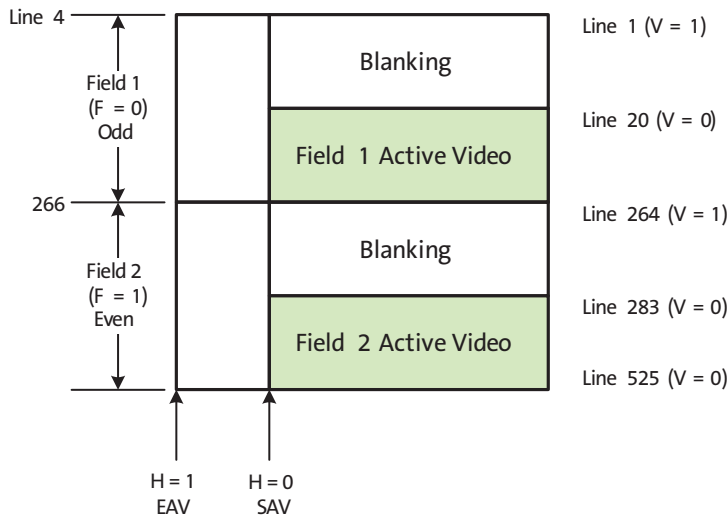


Table 25: Field, Vertical Blanking, EAV, and SAV States 525/60 Video System

| Line Number | F | V | H (EAV) | H (SAV) |
|-------------|---|---|---------|---------|
| 1–3 | 1 | 1 | 1 | 0 |
| 4–9 | 0 | 1 | 1 | 0 |
| 20–263 | 0 | 0 | 1 | 0 |
| 264–265 | 0 | 1 | 1 | 0 |
| 266–282 | 1 | 1 | 1 | 0 |
| 283–525 | 1 | 0 | 1 | 0 |

Notes

1. NTSC defines active video from line 20 to line 263 (corresponding to a field). This allows up to 244 active video lines in a field.
2. ASX340 image output is configured to 240 lines per field; this is common practice of digital video formatting.
3. When 240 lines are displayed within a field of 244 lines, the image content should start from line 22 to line 261 of the field. This ensures center of the image and the center of the field is aligned.
4. Similar consideration applies to Odd & Even fields.

Figure 31 on page 49 shows detailed vertical blanking information for PAL timing. See Table 26 on page 49 for data on field, vertical blanking, EAV, and SAV states.

Figure 31: Typical CCIR656 Vertical Blanking Intervals for 625/50 Video System



Table 26: Field, Vertical Blanking, EAV, and SAV States for 625/50 Video System

| Line Number | F | V | H (EAV) | H (SAV) |
|-------------|---|---|---------|---------|
| 1–22 | 0 | 1 | 1 | 0 |
| 23–310 | 0 | 0 | 1 | 0 |
| 311–312 | 0 | 1 | 1 | 0 |
| 313–335 | 1 | 1 | 1 | 0 |
| 336–623 | 1 | 0 | 1 | 0 |
| 624–625 | 1 | 1 | 1 | 0 |

Reset and Clocks

Reset

Power-up reset is asserted or de-asserted with the RESET_BAR pin, which is active LOW. In the reset state, all control registers are set to default values. See “Device Configuration” on page 26 for more details on Auto, Host, and Flash configurations.

Soft reset is asserted or de-asserted by the two-wire serial interface. In soft-reset mode, the two-wire serial interface and the register bus are still running. All control registers are reset using default values.

Clocks

The ASX340AT has two primary clocks:

- A master clock coming from the EXTCLK signal.
- In default mode, a pixel clock (PIXCLK) running at $2 * EXTCLK$. In raw Bayer bypass mode, PIXCLK runs at the same frequency as EXTCLK.

When the ASX340AT operates in raw Bayer bypass mode, the image flow pipeline clocks can be shut off to conserve power.

The sensor core is a master in the system. The sensor core frame rate defines the overall image flow pipeline frame rate. Horizontal blanking and vertical blanking are influenced by the sensor configuration, and are also a function of certain image flow pipeline functions. The relationship of the primary clocks is depicted in Figure 32.

The image flow pipeline typically generates up to 16 bits per pixel—for example, YCbCr or 565RGB—but has only an 8-bit port through which to communicate this pixel data.

To generate NTSC or PAL format images, the sensor core requires a 27 MHz clock.

Figure 32: Primary Clock Relationships



Floating Inputs

The following ASX340AT pins cannot be floated:

- SDATA—This pin is bidirectional and should not be floated
- FRAME_SYNC
- TRST_N
- SCLK
- SADDR
- ATEST1
- ATEST2

Output Data Ordering

Table 27: Output Data Ordering in DOUT RGB Mode

| Mode (Swap Disabled) | Byte | D7 | D6 | D5 | D4 | D3 | D2 | D1 | D0 |
|----------------------|--------|----|----|----|----|----|----|----|----|
| 565RGB | First | R7 | R6 | R5 | R4 | R3 | G7 | G6 | G5 |
| | Second | G4 | G3 | G2 | B7 | B6 | B5 | B4 | B3 |
| 555RGB | First | 0 | R7 | R6 | R5 | R4 | R3 | G7 | G6 |
| | Second | G5 | G4 | G3 | B7 | B6 | B5 | B4 | B3 |
| 444xRGB | First | R7 | R6 | R5 | R4 | G7 | G6 | G5 | G4 |
| | Second | B7 | B6 | B5 | B4 | 0 | 0 | 0 | 0 |
| x444RGB | First | 0 | 0 | 0 | 0 | R7 | R6 | R5 | R4 |
| | Second | G7 | G6 | G5 | G4 | B7 | B6 | B5 | B4 |

Note: PIXCLK is 54 MHz when EXTCLK is 27 MHz.

Table 28: Output Data Ordering in Sensor Stand-Alone Mode

| Mode | D7 | D6 | D5 | D4 | D3 | D2 | D1 | D0 | Dout_LSB1 | Dout_LSB0 |
|---------------|----|----|----|----|----|----|----|----|-----------|-----------|
| 10-bit Output | B9 | B8 | B7 | B6 | B5 | B4 | B3 | B2 | B1 | B0 |

Note: PIXCLK is 27 MHz when EXTCLK is 27 MHz.

I/O Circuitry

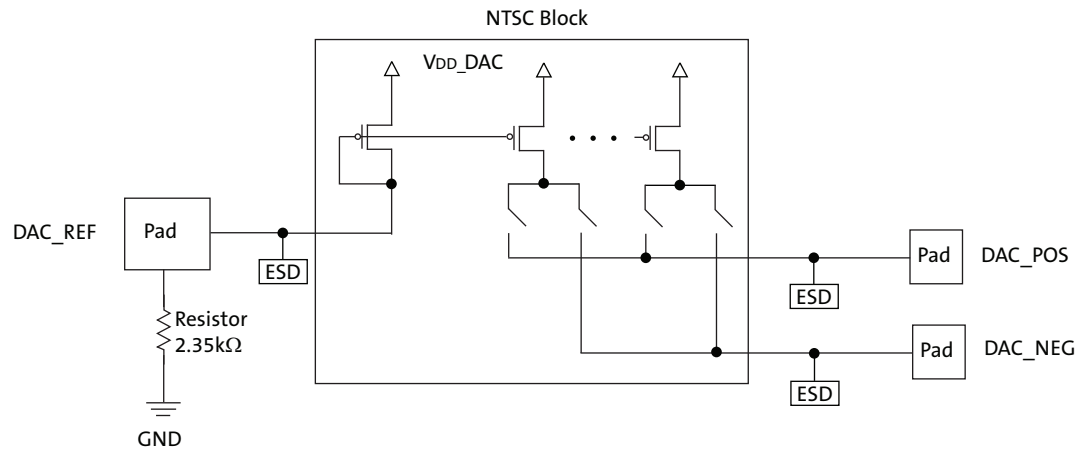
Figure 33 illustrates typical circuitry used for each input, output, or I/O pad.

Figure 33: Typical I/O Equivalent Circuits



Note: All I/O circuitry shown above is for reference only. The actual implementation may be different.

Figure 34: NTSC Block



Note: All I/O circuitry shown above is for reference only. The actual implementation may be different.

Figure 35: Serial Interface



I/O Timing

Digital Output

By default, the ASX340AT launches pixel data, FV, and LV synchronously with the falling edge of PIXCLK. The expectation is that the user captures data, FV, and LV using the rising edge of PIXCLK. The timing diagram is shown in Figure 36.

As an option, the polarity of the PIXCLK can be inverted from the default by programming R0x0016[14].

Figure 36: Digital Output I/O Timing



Table 29: Parallel Digital Output I/O Timing

$f_{EXTCLK} = 27$ MHz; $V_{DD} = 1.8$ V; $V_{DD_IO} = 2.8$ V; $V_{AA} = 2.8$ V; $V_{AA_PIX} = 2.8$ V;
 $V_{DD_PLL} = 2.8$ V; $V_{DD_DAC} = 2.8$ V; Default slew rate

| Signal | Parameter | Conditions | Min | Typ | Max | Unit |
|---------------------|----------------------|------------|-------|-------|--------|------|
| EXTCLK | f_{extclk} | | 6 | 27 | 54 | MHz |
| | t_{extclk_period} | | 18.52 | 37 | 166.67 | ns |
| | Duty cycle | | 45 | 50 | 55 | % |
| PIXCLK ¹ | f_{pixclk} | | 6 | 27 | 54 | MHz |
| | t_{pixclk_period} | | 18.52 | 37.04 | 166.67 | ns |
| | Duty cycle | | 45 | 50 | 55 | % |
| DATA[7:0] | $t_{pixclkf_dout}$ | | 1.55 | – | 1.9 | ns |
| | t_{dout_su} | | 18 | – | 20 | ns |
| | t_{dout_ho} | | 18 | – | 20 | ns |
| FV/LV | $t_{pixclkf_fvlv}$ | | 1.6 | – | 3.05 | ns |
| | t_{fvlv_su} | | 15 | – | 16 | ns |
| | t_{fvlv_ho} | | 20 | – | 21 | ns |

Note: PIXCLK can be inverted from the default by programming R0x0016[14].

Slew Rate

Table 30: Slew Rate for PIXCLK and DOUT

$f_{EXTCLK} = 27 \text{ MHz}$; $V_{DD} = 1.8\text{V}$; $V_{DD_IO} = 2.8\text{V}$; $V_{AA} = 2.8\text{V}$; $V_{AA_PIX} = 2.8\text{V}$;
 $V_{DD_PLL} = 2.8\text{V}$; $V_{DD_DAC} = 2.8\text{V}$; $T = 25^\circ\text{C}$; $C_{LOAD} = 40 \text{ pF}$

| PIXCLK | | | DOUT[7:0] | | | Unit |
|--------------|-----------|-----------|-------------|-----------|-----------|------|
| R0x1E [10:8] | Rise Time | Fall Time | R0x1E [2:0] | Rise Time | Fall Time | |
| 000 | NA | NA | 000 | 15.0 | 13.5 | ns |
| 001 | NA | NA | 001 | 9.0 | 8.5 | ns |
| 010 | 7.0 | 6.9 | 010 | 6.8 | 6.0 | ns |
| 011 | 5.2 | 5.0 | 011 | 5.2 | 4.8 | ns |
| 100 | 4.0 | 3.8 | 100 | 3.8 | 3.5 | ns |
| 101 | 3.0 | 2.8 | 101 | 3.3 | 3.3 | ns |
| 110 | 2.4 | 2.2 | 110 | 3.0 | 3.0 | ns |
| 111 | 1.9 | 1.7 | 111 | 2.8 | 2.8 | ns |

Figure 37: Slew Rate Timing



Configuration Timing

During start-up, the Dout_LSB0, LV and FV are sampled. Setup and hold timing for the RESET_BAR signal with respect to DOUT_LSB0, LV, and FV are shown in Figure 38 and Table 31. These signals are sampled once by the on-chip firmware, which yields a long t_{HOLD} time.

Figure 38: Configuration Timing



Table 31: Configuration Timing

| Signal | Parameter | Min | Typ | Max | Unit |
|------------------------------------|--------------------|-----|-----|-----|---------------|
| DOUT_LSB0, FRAME_VALID, LINE_VALID | t_{SETUP} | 0 | | | μs |
| | t_{HOLD} | 50 | | | μs |

Note: Table data is based on EXTCLK = 27 MHz.

Figure 39: Power Up Sequence



Table 32: Power Up Sequence

| Definition | Symbol | Minimum | Typical | Maximum | Unit |
|-------------------------|--------|---------|---------|---------|------|
| VDD_PLL to VAA/VAA_PIX | t0 | 0 | – | – | μs |
| VAA/VAA_PIX to VDD_IO | t1 | 0 | – | – | μs |
| VDD_IO to VDD | t2 | 0 | – | – | μs |
| Hard Reset | t3 | 2 | – | – | μs |
| Internal Initialization | t4 | 14 | – | – | ms |

- Notes:
1. Delay between VDD and EXTCLK depends on customer devices, i.e. Xtal, Oscillator, and so on. There is no requirement on this from the sensor.
 2. Hard reset time is the minimum time required after power rails are settled. Ten clock cycles are required for the sensor itself, assuming all power rails are settled. In a circuit where Hard reset is performed by the RC circuit, then the RC time must include the all power rail settle time and Xtal.
 3. The time for Patch Config SPI or Host, that is, t5, depends on the patches being applied.

Figure 40: Power Down Sequence



Table 33: Power Down Sequence

| Definition | Symbol | Minimum | Typical | Maximum | Unit |
|-------------------------------------|--------|------------------|---------|---------|------|
| VDD to VDD_IO | t0 | 0 | – | – | μs |
| VDD_IO to VAA/VAA_PIX | t1 | 0 | – | – | μs |
| VAA/VAA_PIX to VDD_PLL/DAC | t2 | 0 | – | – | μs |
| Power Down until Next Power Up Time | t3 | 100 ¹ | – | – | ms |

(1) t3 is required between power down and next power up time, all decoupling caps from regulators must completely discharge before next power up.

Figure 41: FRAME_SYNC to FRAME_VALID/LINE_VALID



Table 34: FRAME_SYNC to FRAME_VALID/LINE_VALID Parameters

| Parameter | Name | Conditions | Min | Typ | Max | Unit |
|---------------------|--------------|-----------------|------|-----|-----|------|
| FRAME_SYNC to FV/LV | tFRMSYNC_FVH | Interlaced mode | 1.22 | – | – | ms |
| tFRAME_SYNC | tFRAMESYNC | | 1 | | | μs |

Figure 42: Reset to SPI Access Delay



Figure 43: Reset to Serial Access Delay



Figure 44: Reset to AE/AWB Image



Table 35: RESET_BAR Delay Parameters

| Parameter | Name | Condition | Min | Typ | Max | Unit |
|------------------------------------|--------------|------------------------|-----|-----|-----|------|
| RESET_BAR HIGH to SPI_CS_N LOW | tRSTH_CSL | | 13 | – | – | ms |
| RESET_BAR HIGH to SDATA LOW | tRSTH_SDATAL | | 18 | – | – | ms |
| RESET_BAR HIGH to FRAME_VALID | tRSTH_FVL | | 14 | – | – | ms |
| RESET_BAR HIGH to first Overlay | tRSTH_OVL | Overlay size dependent | – | – | – | ms |
| RESET_BAR HIGH to AE/AWB settled | tRSTH_AEAWB | Scene dependent | – | – | – | ms |
| RESET_BAR HIGH to first NTSC frame | tRSTH_NTSC | | 47 | – | – | ms |
| RESET_BAR HIGH to first PAL frame | tRSTH_PAL | | 53 | – | – | ms |

Electrical Specifications

Figure 45: SPI Output Timing

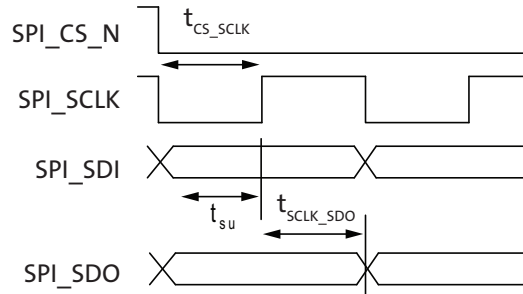


Table 36: SPI Data Setup and Hold Timing

| Parameter | Description | Min | Typ | Max | Units |
|-----------------|--|--------|-----|----------------------------|-------|
| f_{SPI_SCLK} | SPI_SCLK Frequency | 1.6875 | 4.5 | 18 | MHz |
| t_{SPI_SCLK} | SPI_SCLK Period | 55.556 | | 592.593 | ns |
| t_{su} | Setup time | | | $0.5 * t_{SPI_SCLK}$ | ns |
| t_{SCLK_SDO} | Hold time | | | $0.5 * t_{SPI_SCLK} + 20$ | ns |
| t_{CS_SCLK} | Delay from falling edge of SPI_CS_N to rising edge of SPI_SCLK | | 230 | | ns |

Caution Stresses greater than those listed in Table 37 may cause permanent damage to the device. This is a stress rating only, and functional operation of the device at these or any other conditions above those indicated in the operational sections of this specification is not implied. Exposure to absolute maximum rating conditions for extended periods may affect reliability.

Table 37: Absolute Maximum Ratings

| Symbol | Parameter | Rating | | Unit |
|---------|--------------------------|--------|------------|------|
| | | Min | Max | |
| VDD | Digital power (1.8V) | -0.3 | 2.4 | V |
| VDD_IO | I/O power (2.8v) | -0.3 | 4 | V |
| VAA | VAA analog power (2.8V) | -0.3 | 4 | V |
| VAA_PIX | Pixel array power (2.8v) | -0.3 | 4 | V |
| VDD_PLL | PLL power (2.8V) | -0.3 | 4 | V |
| VDD_DAC | DAC power (2.8V) | -0.3 | 4 | V |
| VIN | DC Input Voltage | -0.3 | VDD_IO+0.3 | V |
| VOUT | DC Output Voltage | -0.3 | VDD_IO+0.3 | V |
| TSTG | Storage temperature | -50 | 150 | °C |

Note: "Rating" column gives the maximum and minimum values that the device can tolerate.

Table 38: Electrical Characteristics and Operating Conditions

| Parameter ¹ | Condition | Min | Typ | Max | Unit |
|---|-----------|------|-----|------|------|
| Core digital voltage (VDD) | – | 1.70 | 1.8 | 1.95 | V |
| IO digital voltage (VDD_IO) | – | 2.66 | 2.8 | 2.94 | V |
| Video DAC voltage (VDD_DAC) | – | 2.66 | 2.8 | 2.94 | V |
| PLL Voltage (VDD_PLL) | – | 2.66 | 2.8 | 2.94 | V |
| Analog voltage (VAA) | – | 2.66 | 2.8 | 2.94 | V |
| Pixel supply voltage (VAA_PIX) | – | 2.66 | 2.8 | 2.94 | V |
| Imager operating temperature ² | – | –40 | | +105 | °C |
| Functional operating temperature ³ | | –40 | | +85 | °C |
| Storage temperature | – | –50 | | +150 | °C |

- Notes:
1. VAA and VAA_PIX must all be at the same potential to avoid excessive current draw. Care must be taken to avoid excessive noise injection in the analog supplies if all three supplies are tied together.
 2. The imager operates in this temperature range, but image quality may degrade if it operates beyond the functional operating temperature range.
 3. Image quality is not guaranteed at temperatures equal to or greater than this range.

Table 39: Video DAC Electrical Characteristics–Single-Ended Mode

f_{EXTCLK} = 27 MHz; VDD = 1.8V; VDD_IO = 2.8V; VAA = 2.8V; VAA_PIX = 2.8V;
VDD_PLL = 2.8V; VDD_DAC = 2.8V

| Parameter | Condition | Min | Typ | Max | Unit |
|-------------------|------------------------------|-----|--------|------|------|
| Resolution | | – | 10 | - | bits |
| DNL | | – | 0.2 | 0.4 | bits |
| INL | | – | 0.7 | 3.5 | bits |
| Output local load | Output pad (DAC_POS) | – | 37.5 | - | Ω |
| | Unused output (DAC_NEG) | – | 37.5 | - | Ω |
| Output voltage | Single-ended mode, code 000h | – | .021 | - | V |
| | Single-ended mode, code 3FFh | – | 1.392 | - | V |
| Output current | Single-ended mode, code 000h | – | 0.560 | - | mA |
| | Single-ended mode, code 3FFh | – | 37.120 | - | mA |
| Supply current | Estimate | – | - | 25.0 | mA |
| DAC_REF | DAC Reference | – | 1.200 | - | V |
| R DAC_REF | DAC Reference | – | 2.4 | - | KΩ |

Note: DAC_POS, DAC_NEG, and DAC_REF are loaded with resistors to simulate video output driving into a low pass filter and achieve a full output swing of 1.4V. Their resistor loadings may be different from the loadings in a real single-ended or differential-ended video output system with an actual receiving end. Please refer to the Developer Guide for proper resistor loadings.

Table 40: Video DAC Electrical Characteristics—Differential Mode

$f_{EXTCLK} = 27 \text{ MHz}$; $V_{DD} = 1.8\text{V}$; $V_{DD_IO} = 2.8\text{V}$; $V_{AA} = 2.8\text{V}$; $V_{AA_PIX} = 2.8\text{V}$;
 $V_{DD_PLL} = 2.8\text{V}$; $V_{DD_DAC} = 2.8\text{V}$

| Parameter | Condition | Min | Typ | Max | Unit |
|-------------------|---|-----|--------|-----|------------|
| DNL | | – | 0.2 | 0.4 | Bits |
| INL | | – | 0.7 | 3.5 | Bits |
| Output local load | Differential mode per pad (DAC_POS and DAC_NEG) | – | 37.5 | – | Ω |
| Output voltage | Differential mode, code 000h, pad dacp | – | .022 | – | V |
| | Differential mode, code 000h, pad dacn | – | 1.421 | – | V |
| | Differential mode, code 3FFh, pad dacp | – | 1.421 | – | V |
| | Differential mode, code 3FFh, pad dacn | – | .022 | – | V |
| Output current | Differential mode, code 000h, pad dacp | – | .587 | – | mA |
| | Differential mode, code 000h, pad dacn | – | 37.893 | – | mA |
| | Differential mode, code 3FFh, pad dacp | – | 37.893 | – | mA |
| | Differential mode, code 3FFh, pad dacn | – | .587 | – | mA |
| Supply current | Estimate | – | – | 50 | mA |
| DAC_REF | DAC Reference | – | 1.2 | | V |
| R DAC_REF | DAC Reference | | 2.4 | | K Ω |

Note: DAC_POS, DAC_NEG, and DAC_REF are loaded with resistors to simulate video output driving into a low pass filter and achieve a full output swing of 1.4V. Their resistor loadings may be different from the loadings in a real single-ended or differential-ended video output system with an actual receiving end. Please refer to the Developer Guide for proper resistor loadings.

Table 41: Digital I/O Parameters

$T_A = \text{Ambient} = 25^\circ\text{C}$; All supplies at 2.8V

| Signal | Parameter | Definitions | Condition | Min | Typ | Max | Unit |
|-------------|------------|----------------------------|-------------------------------------|--------------------|-----|--------------------|---------------|
| All Outputs | | Load capacitance | | 5 | – | 30 | pF |
| | V_{OH} | Output high voltage | | $0.7 * V_{DD_IO}$ | | – | V |
| | V_{OL} | Output low voltage | | – | – | $0.3 * V_{DD_IO}$ | V |
| | I_{OH} | Output high current | $V_{OH} = V_{DD_IO} - 0.4\text{V}$ | 20 | – | 35 | mA |
| | I_{OL} | Output low current | $V_{OL} = 0.4\text{V}$ | 29 | – | 53 | mA |
| All Inputs | V_{IH} | Input high voltage | | $0.7 * V_{DD_IO}$ | – | $V_{DD_IO} + 0.5$ | V |
| | V_{IL} | Input low voltage | | –0.3 | – | $0.3 * V_{DD_IO}$ | V |
| | I_{IH} | Input high leakage current | | 0.02 | – | 0.26 | μA |
| | I_{IL} | Input low leakage current | | 0.01 | – | 0.05 | μA |
| | Signal CAP | Input signal capacitance | | – | 6.5 | – | pF |

Notes: 1. All inputs are protected and may be active when all supplies (2.8V and 1.8V) are turned off.

Power Consumption, Operating Mode

Table 42: Power Consumption – Condition 1

^fEXTCLK = 27 MHz; T = 25°C, dark condition (lens with cover)

| Power Plane | Supply | Condition 1 | Typ Power | Max Power | Unit |
|--------------|--------|--------------|-----------|-----------|------|
| VDD | 1.8 | | 48.2 | 72 | mW |
| VDD_IO | 2.8 | Parallel off | 2.2 | 10 | mW |
| VAA | 2.8 | | 96 | 140 | mW |
| VAA_PIX | 2.8 | | 2.2 | 5 | mW |
| VDD_DAC | 2.8 | Single 75Ω | 122.9 | 146 | mW |
| VDD_PLL | 2.8 | | 18.8 | 25 | mW |
| Total | | | 290.3 | 398 | mW |

Analog output uses single-ended mode: DAC_Pos = 75Ω, DAC_Neg = 37.5Ω, DAC_Ref = 2.4kΩ, parallel output is disabled.

Table 43: Power Consumption – Condition 2

^fEXTCLK = 27 MHz; T = 25°C, dark condition (lens with cover), CLOAD = 40pF

| Power Plane | Supply | Condition 2 | Typ Power | Max Power | Unit |
|--------------|--------|-------------|-----------|-----------|------|
| VDD | 1.8 | | 47.5 | 72 | mW |
| VDD_IO | 2.8 | Parallel on | 26.6 | 50 | mW |
| VAA | 2.8 | | 95.5 | 140 | mW |
| VAA_PIX | 2.8 | | 2.2 | 5 | mW |
| VDD_DAC | 2.8 | VDAC off | 1.1 | 5 | mW |
| VDD_PLL | 2.8 | | 18.8 | 25 | mW |
| Total | | | 191.7 | 297 | mW |

Analog output is disabled; parallel output is enabled.

VIDEO Signal Parameters

Table 44: Key Video Signal Parameter Table

$f_{EXTCLK} = 27 \text{ MHz}$; $V_{DD} = 1.8\text{V}$; $V_{DD_IO} = 2.8\text{V}$; $V_{AA} = 2.8\text{V}$; $V_{AA_PIX} = 2.8\text{V}$;
 $V_{DD_PLL} = 2.8\text{V}$; $V_{DD_DAC} = 2.8\text{V}$

| Parameter | NTSC | PAL | UNITS | Notes |
|---------------------------|-----------|-------|-------|---------|
| Number of lines per frame | 525 | 625 | Hz | |
| Line Frequency | 15734.264 | 15625 | Hz | |
| Field Frequency | 59.94 | 50 | Hz | |
| Sync Level | 40 | 43 | IRE | 2, 3 |
| Burst Level | 40 | 43 | IRE | 2, 3 |
| Black Level | 7.5 | 0 | IRE | 1, 2, 3 |
| White Level | 100 | 100 | IRE | 1, 2, 3 |

1. Black and white levels are referenced to the blanking level.
2. 1 IRE ~ 7.14mV
3. DAC ref = 2.8 Kohm; load = 37.5 Ohm
4. Reference to ITU-R BT.470-6

Figure 46: Video Timing



Table 45: Video Timing: Specification from Rec. ITU-R BT.470-6

| | Signal | NTSC 27 MHz | PAL 27 MHz | Units |
|---|--------------------------|----------------|----------------|-------|
| A | H Period | 63.556 | 64.00 | μs |
| B | Hsync to burst | 4.71 to 5.71 | 5.60 ± 0.10 | μs |
| C | burst | 2.23 to 3.11 | 2.25 ± 0.23 | μs |
| D | Hsync to Signal | 9.20 to 10.30 | 10.20 ± 0.30 | μs |
| E | Video Signal | 52.655 ± 0.20 | 52 +0, -0.3 | μs |
| F | Front | 1.27 to 2.22 | 1.5 +0.3, -0.0 | μs |
| G | Hsync Period | 4.70 ± 0.10 | 4.70 ± 0.20 | μs |
| H | Sync rising/falling edge | ≤ 0.25 | 0.20 ± 0.10 | μs |

Figure 47: Equalizing Pulse



Table 46: Equalizing Pulse: Specification from Rec. ITU-R BT.470-6

| | Signal | NTSC 27 MHz | PAL 27 MHz | Units |
|---|---------------------------|-----------------|-----------------|---------------|
| I | H/2 Period | 31.778 | 32.00 | μs |
| J | Pulse width | 2.30 ± 0.10 | 2.35 ± 0.10 | μs |
| K | Pulse rising/falling edge | ≤ 0.25 | 0.25 ± 0.05 | μs |
| L | Signal to pulse | 1.50 ± 0.10 | 3.0 ± 2.0 | μs |

Figure 48: V Pulse



Table 47: V Pulse: Specification from Rec. ITU-R BT.470-6

| | Signal | NTSC 27 MHz | PAL 27 MHz | Units |
|---|---------------------------|-----------------|------------------|---------------|
| M | H/2 Period | 31.778 | 32.00 | μs |
| N | Pulse width | 27.10 (nominal) | 27.30 ± 0.10 | μs |
| O | V pulse interval | 4.70 ± 0.10 | 4.70 ± 0.10 | μs |
| P | Pulse rising/falling edge | ≤ 0.25 | 0.25 ± 0.05 | μs |

Two-Wire Serial Bus Timing

Figure 49 and Table 48 describe the timing for the two-wire serial interface.

Figure 49: Two-Wire Serial Bus Timing Parameters

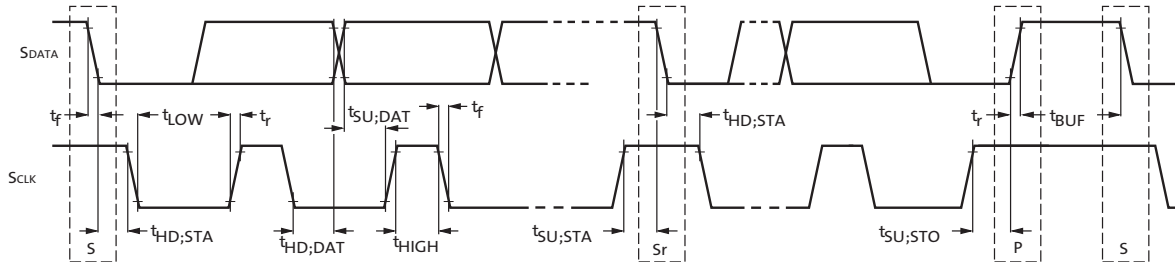


Table 48: Two-Wire Serial Bus Characteristics

$f_{EXTCLK} = 27 \text{ MHz}$; $V_{DD} = 1.8\text{V}$; $V_{DD_IO} = 2.8\text{V}$; $V_{AA} = 2.8\text{V}$; $V_{AA_PIX} = 2.8\text{V}$;
 $V_{DD_PLL} = 2.8\text{V}$; $V_{DD_DAC} = 2.8\text{V}$; $T_A = 25^\circ\text{C}$

| Parameter | Symbol | Standard Mode | | Fast Mode | | Unit |
|--|----------------|----------------|-------------------|------------------|------------------|---------------|
| | | Min | Max | Min | Max | |
| SCLK Clock Frequency | f_{SCL} | 0 | 100 | 0 | 400 | KHz |
| Hold time (repeated) START condition. After this period, the first clock pulse is generated | $t_{HD;STA}$ | 4.0 | - | 0.6 | - | μs |
| LOW period of the SCLK clock | t_{LOW} | 4.7 | - | 1.3 | - | μs |
| HIGH period of the SCLK clock | t_{HIGH} | 4.0 | - | 0.6 | - | μs |
| Set-up time for a repeated START condition | $t_{SU;STA}$ | 4.7 | - | 0.6 | - | μs |
| Data hold time | $t_{HD;DAT}$ | 0 ⁴ | 3.45 ⁵ | 0 ⁶ | 0.9 ⁵ | μs |
| Data set-up time | $t_{SU;DAT}$ | 250 | - | 100 ⁶ | - | ns |
| Rise time of both SDATA and SCLK signals | t_r | - | 1000 | $20 + 0.1Cb^7$ | 300 | ns |
| Fall time of both SDATA and SCLK signals | t_f | - | 300 | $20 + 0.1Cb^7$ | 300 | ns |
| Set-up time for STOP condition | $t_{SU;STO}$ | 4.0 | - | 0.6 | - | μs |
| Bus free time between a STOP and START condition | t_{BUF} | 4.7 | - | 1.3 | - | μs |
| Capacitive load for each bus line | C_b | - | 400 | - | 400 | pF |
| Serial interface input pin capacitance | C_{IN_SI} | - | 3.3 | - | 3.3 | pF |
| SDATA max load capacitance | C_{LOAD_SD} | - | 30 | - | 30 | pF |
| SDATA pull-up resistor | R_{SD} | 1.5 | 4.7 | 1.5 | 4.7 | $K\Omega$ |

- Notes:
1. This table is based on I²C standard (v2.1 January 2000). Philips Semiconductor.
 2. Two-wire control is I²C-compatible.
 3. All values referred to $V_{IHmin} = 0.9 V_{DD}$ and $V_{ILmax} = 0.1V_{DD}$ levels. Sensor EXCLK = 27 MHz.
 4. A device must internally provide a hold time of at least 300 ns for the SDATA signal to bridge the undefined region of the falling edge of SCLK.
 5. The maximum $t_{HD;DAT}$ has only to be met if the device does not stretch the LOW period (t_{LOW}) of the SCLK signal.
 6. A Fast-mode I²C-bus device can be used in a Standard-mode I²C-bus system, but the requirement $t_{SU;DAT} = 250 \text{ ns}$ must then be met. This will automatically be the case if the device does not stretch the LOW period of the SCLK signal. If such a device does stretch the LOW period of the SCLK signal, it



must output the next data bit to the SDATA line $t_r \text{ max} + t_{\text{SU;DAT}} = 1000 + 250 = 1250 \text{ ns}$ (according to the Standard-mode I²C-bus specification) before the SCLK line is released.

7. C_b = total capacitance of one bus line in pF.

Spectral Characteristics

Figure 50: Quantum Efficiency



Note: The measurements were done on packaged parts with regular glass coating (that is, without Anti-Reflective Glass (ARC) coating).

Package and Die Dimensions

Figure 51: 63-Ball iBGA Package Outline Drawing (Case 503AE)





ON Semiconductor and the ON logo are registered trademarks of Semiconductor Components Industries, LLC (SCILLC) or its subsidiaries in the United States and/or other countries. SCILLC owns the rights to a number of patents, trademarks, copyrights, trade secrets, and other intellectual property. A listing of SCILLC's product/patent coverage may be accessed at www.onsemi.com/site/pdf/Patent-Marking.pdf. SCILLC reserves the right to make changes without further notice to any products herein. SCILLC makes no warranty, representation or guarantee regarding the suitability of its products for any particular purpose, nor does SCILLC assume any liability arising out of the application or use of any product or circuit, and specifically disclaims any and all liability, including without limitation special, consequential or incidental damages. "Typical" parameters which may be provided in SCILLC data sheets and/or specifications can and do vary in different applications and actual performance may vary over time. All operating parameters, including "Typicals" must be validated for each customer application by customer's technical experts. SCILLC does not convey any license under its patent rights nor the rights of others. SCILLC products are not designed, intended, or authorized for use as components in systems intended for surgical implant into the body, or other applications intended to support or sustain life, or for any other application in which the failure of the SCILLC product could create a situation where personal injury or death may occur. Should Buyer purchase or use SCILLC products for any such unintended or unauthorized application, Buyer shall indemnify and hold SCILLC and its officers, employees, subsidiaries, affiliates, and distributors harmless against all claims, costs, damages, and expenses, and reasonable attorney fees arising out of, directly or indirectly, any claim of personal injury or death associated with such unintended or unauthorized use, even if such claim alleges that SCILLC was negligent regarding the design or manufacture of the part. SCILLC is an Equal Opportunity/Affirmative Action Employer. This literature is subject to all applicable copyright laws and is not for resale in any manner.



Компания «ЭлектроПласт» предлагает заключение долгосрочных отношений при поставках импортных электронных компонентов на взаимовыгодных условиях!

Наши преимущества:

- Оперативные поставки широкого спектра электронных компонентов отечественного и импортного производства напрямую от производителей и с крупнейших мировых складов;
- Поставка более 17-ти миллионов наименований электронных компонентов;
- Поставка сложных, дефицитных, либо снятых с производства позиций;
- Оперативные сроки поставки под заказ (от 5 рабочих дней);
- Экспресс доставка в любую точку России;
- Техническая поддержка проекта, помощь в подборе аналогов, поставка прототипов;
- Система менеджмента качества сертифицирована по Международному стандарту ISO 9001;
- Лицензия ФСБ на осуществление работ с использованием сведений, составляющих государственную тайну;
- Поставка специализированных компонентов (Xilinx, Altera, Analog Devices, Intersil, Interpoint, Microsemi, Aeroflex, Peregrine, Syfer, Eurofarad, Texas Instrument, Miteq, Cobham, E2V, MA-COM, Hittite, Mini-Circuits, General Dynamics и др.);

Помимо этого, одним из направлений компании «ЭлектроПласт» является направление «Источники питания». Мы предлагаем Вам помощь Конструкторского отдела:

- Подбор оптимального решения, техническое обоснование при выборе компонента;
- Подбор аналогов;
- Консультации по применению компонента;
- Поставка образцов и прототипов;
- Техническая поддержка проекта;
- Защита от снятия компонента с производства.



Как с нами связаться

Телефон: 8 (812) 309 58 32 (многоканальный)

Факс: 8 (812) 320-02-42

Электронная почта: org@eplast1.ru

Адрес: 198099, г. Санкт-Петербург, ул. Калинина, дом 2, корпус 4, литера А.